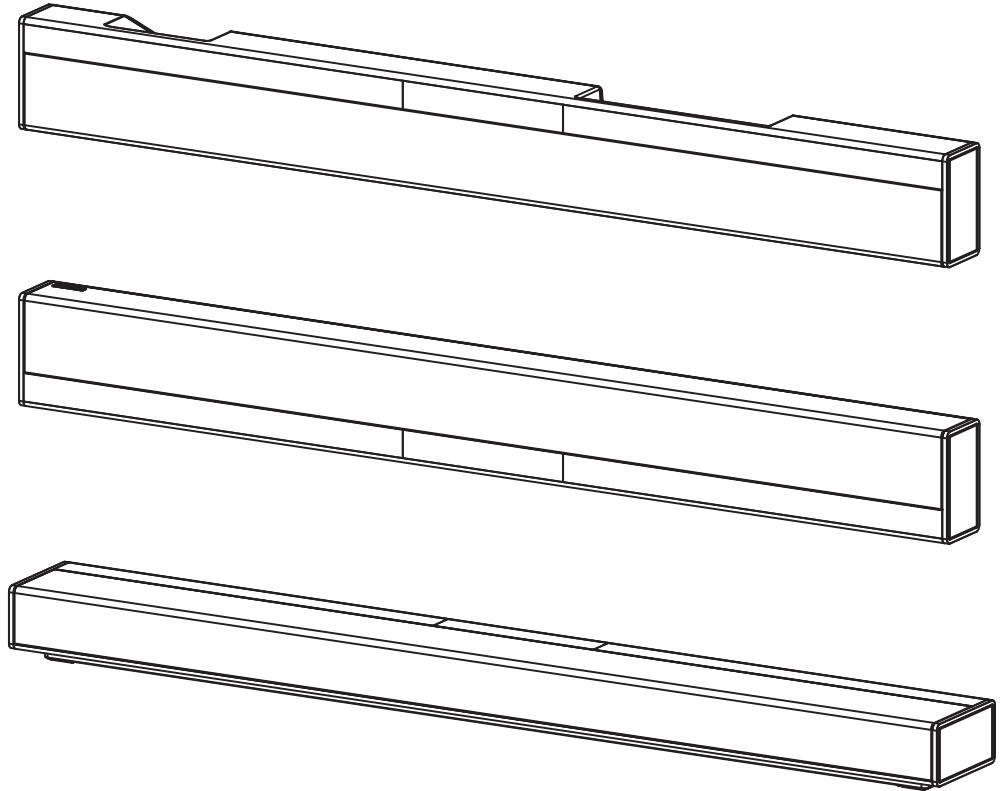


OWNER'S MANUAL





PWSOUNDBAR™




PREMIUM series WIRELESS





CAUTION
 RISK OF ELECTRIC SHOCK
 DO NOT OPEN


ATTENTION
 RISQUE DE CHOC ELECTRIQUE
 NE PAS OUVRIR

Do Not Open! Risk of Electrical Shock. Voltages in this equipment are hazardous to life. No user-serviceable parts inside. Refer all servicing to qualified service personnel. To prevent fire or shock hazard, do not expose this module to moisture.



The lightning bolt flash with arrowhead symbol within an equilateral triangle, is intended to alert the user to the presence of potentially “dangerous voltage” within the product’s enclosure that may be of sufficient magnitude to constitute a risk of electric shock to persons.




The exclamation point within an equilateral triangle is intended to alert the user to the presence of important operating and maintenance (servicing) instructions in the literature accompanying the appliance.


PW SOUNDBAR

Tested to comply with FCC standards.
FOR HOME OR OFFICE USE

IMPORTANT SAFETY INSTRUCTIONS!

1. Read these instructions.
2. Keep these instructions.
3. Heed all warnings.
4. Follow all instructions.
5. Do not use this apparatus near water.
6. Clean only with dry cloth.
7. Do not block any ventilation openings. Install in accordance with the manufacturer’s instructions.
8. Do not install near any heat sources such as radiators, heat registers, stoves, or other apparatus (including amplifiers) that produce heat.
9. Do not defeat the safety purpose of the polarized or grounding-type plug. A polarized plug has two blades with one wider than the other. A grounding type plug has two blades and a third grounding prong. The wide blade or the third prong are provided for your safety. If the provided plug does not fit into your outlet, consult an electrician for replacement of the obsolete outlet.
10. Protect the power cord from being walked on or pinched, particularly at plugs, convenience receptacles, and the point where they exit from the apparatus.
11. Only use attachments/accessories specified by the manufacturer.

12. Use only with the cart, stand, tripod, bracket, or table specified by the manufacturer, or sold with the apparatus. When a cart is used, use caution when moving the cart/apparatus combination to avoid injury from tip-over.
 
13. Unplug this apparatus during lightning storms or when unused for long periods of time.
14. Refer all servicing to qualified service personnel. Servicing is required when the apparatus has been damaged in any way, such as power-supply cord or plug is damaged, liquid has been spilled or objects have fallen into the apparatus, the apparatus has been exposed to rain or moisture, does not operate normally, or has been dropped.
15. To completely disconnect this equipment from the AC mains, disconnect the power supply cord plug from the AC receptacle.
16. The mains plug of the power supply cord shall remain readily accessible.
17. CAUTION: Danger of explosion if battery is incorrectly replaced. Replace only with the same or equivalent type (AAA). Dispose of dead batteries in accordance with local regulation.
18. To prevent overheating, do not cover the apparatus. Install in accordance with the manufacturer’s instructions.
19. No naked flame sources, such as candles, should be placed on the product.
20. Do not expose this apparatus to dripping or splashing and ensure that no objects filled with liquids, such as vases, are placed on the apparatus.
21. Batteries (battery pack or batteries installed) shall not be exposed to excessive heat such as sunshine, fire, or the like.
22. For apparatus mounted to wall, the apparatus shall be installed on solid wood, bricks, concrete or solid wood columns and battens.
23. DO NOT overload wall outlets or extension cords beyond their rated capacity as this can cause electric shock or fire.
24. Minimum distances around the apparatus for sufficient ventilation.
25. The ventilation should not be impeded by covering the ventilation openings with items, such as newspapers, tablecloths, curtains, etc.
26. Do not ingest the battery, Chemical Burn Hazard.
27. Keep new and used batteries away from children.
28. If the battery compartment does not close securely, stop using the product and keep it away from children.
29. If you think batteries might have been swallowed or placed inside any part of the body, seek immediate medical attention.
30. The battery (battery or batteries or battery pack) shall not be exposed to excessive heat such as sunshine, fire or the like.
31. Risk of leakage. Only use the specified type of Batteries. Never mix new and used batteries. Observe correct polarity. Remove batteries from products that are not in use for extended periods of time. Store batteries in a dry place.
32. Do not recharge non-rechargeable batteries.
33. Avoid exposure to extreme heat or cold.

34. This equipment is a Class II or double insulated electrical appliance. It has been designed in such a way that it does not require a safety connection to electrical earth. 
35. Danger of explosion if battery is incorrectly replaced. Replace only with the same or equivalent type.
36. (The remote control supplied with) This product contains a AAA battery. If the AAA battery is swallowed, it can cause severe internal burns in just 2 hours and can lead to death.
37. Do not handle leaking or damaged AAA batteries.
38. THIS PRODUCT CONTAINS A AAA BATTERY. IF MISUSED OR ABUSED THIS CAN RESULT IN:
- Smoke or gas hazard
 - Heat hazard
 - Fire hazard
 - Explosion hazard

WARNING: This product is intended to be operated ONLY from the AC Voltages listed on the back panel or included power supply of the product. Operation from other voltages other than those indicated may cause irreversible damage to the product and void the product warranty. The use of AC Plug Adapters is cautioned because it can allow the product to be plugged into voltages in which the product was not designed to operate. If the product is equipped with a detachable power cord, use only the type provided with your product or by your local distributor and/or retailer. If you are unsure of the correct operational voltage, please contact your local distributor and/or retailer.

This device complies with Part 15 of the FCC Rules. Operation is subject to the following two conditions: (1) This device may not cause harmful interference, and (2) this device must accept any interference received, including interference that may cause undesired operation.

FEDERAL COMMUNICATIONS COMMISSION

INTERFERENCE STATEMENT: This equipment has been tested and found to comply with the limits for a Class B digital device, pursuant to part 15 of the FCC Rules. These limits are designed to provide reasonable protection against harmful interference in a residential installation. This equipment generates, uses and can radiate radio frequency energy and, if not installed and used in accordance with the instructions, may cause harmful interference to radio communications. However, there is no guarantee that interference will not occur in a particular installation. If this equipment does cause harmful interference to radio or television reception, which can be determined by turning the equipment off and on, the user is encouraged to try to correct the interference by one or more of the following measures:

- Reorient or relocate the receiving antenna.
- Increase the separation between the equipment and receiver.
- Connect the equipment into an outlet on a circuit different from that to which the receiver is connected.
- Consult the dealer or an experienced radio/TV technician for help.

Approved under the verification provision of FCC Part 15 as a Class B Digital Device.

Any changes or modifications not expressly approved by the grantee of this device could void the user's authority to operate the equipment.

RF EXPOSURE INFORMATION: This equipment complies with FCC/IC radiation exposure limits set forth for an uncontrolled environment and meets the FCC radio frequency (RF) Exposure Guidelines in Supplement C to OET65 and RSS-102 of the IC radio frequency (RF) Exposure rules. This equipment has very low levels of RF energy that are deemed to comply without testing of specific absorption ratio (SAR).

5GHz RF DEVICE STATEMENT: This device operates in the 5.15–5.25GHz frequency range and is restricted to indoor use only. Outdoor operations in the 5150–5250MHz frequency range is prohibited.

CANADA, INDUSTRY CANADA (IC) NOTICES: This Class B digital apparatus complies with Canadian ICES-003 and RSS-210. Operation is subject to the following two conditions: (1) this device may not cause interference, and (2) this device must accept any interference, including interference that may cause undesired operation of the device.

RADIO FREQUENCY (RF) EXPOSURE INFORMATION:

This equipment complies with FCC/IC radiation exposure limits set forth for an uncontrolled environment and meets the FCC radio frequency (RF) Exposure Guidelines in Supplement C to OET65 and RSS-102 of the IC radio frequency (RF) Exposure rules. This equipment has very low levels of RF energy that are deemed to comply without testing of specific absorption ratio (SAR).

2. CAUTION

- Comply with FCC RF exposure compliance requirement, separation distance of at least 20 cm must be maintained between this product and all persons.
- This product and its antenna must not be co-located or operating in conjunction with any other antenna or transmitter.
- This transmitter must not be co-located or operating in conjunction with any other antenna or transmitter.
- Operations in the 5.15 - 5.25 GHz band are restricted to indoor usage only.
- For operation within 5.15 - 5.25 GHz / 5.25 - 5.35 GHz / 5.47 - 5.725 GHz frequency range, it is restricted to indoor environment.
- This device meets all the other requirements specified in Part 15E, Section 15.407 of the FCC Rules.

CONTAINS TRANSMITTER MODULE FCC ID:

2AAWQ-CAPRICA2L

CONTAINS FCC ID: MBBDMRS4

This product complies with Part 15 of the FCC Rules. Operation is subject to the following two conditions: (1) this product may not cause harmful interference, and (2) this product must accept any interference received, including interference that may cause undesired operation.

Paradigm Electronics Inc.
205 Annagem Blvd. Mississauga, ON L5T 2V1

MODEL NUMBER: PW SOUNDBAR
FCC ID: MBBPWSOUNDBAR
IC Information (For Canadian customers)
MODEL NUMBER: PW SOUNDBAR
IC NO: 11657A-PWSOUNDBAR

1. PRODUCT CONTAINS TRANSMITTER MODULE IC:
11138A-CAPRICA2L CONTAINS IC: 11657A-DMRS4
This Class B digital apparatus complies with Canadian CAN ICES-3(B) / NMB-3(B). Operation is subject to the following two conditions: (1) this product may not cause harmful interference, and (2) this product must accept any interference received, including interference that may cause undesired operation.

2. CAUTION
To reduce potential radio interference to other users, the antenna type and its gain should be so chosen that the equivalent isotropically radiated power (e.i.r.p.) is not more than that permitted for successful communication.
(i) the device for operation in the band 5,150-5,250 MHz is only for indoor use to reduce the potential for harmful interference to co-channel mobile satellite systems.(ii) high-power radars are allocated as primary users (i.e. priority users) of the bands 5,250-5,350 MHz and 5,650-5,850 MHz and that these radars could cause interference and/or damage to LE-LAN devices. Radiation Exposure Statement:(iii) high-power radars are allocated as primary users (i.e. priority users) of the bands 5,250-5,350 MHz and 5,650-5,850 MHz and that these radars could cause interference and/or damage to LE-LAN devices. This equipment complies with IC radiation exposure limits set forth for an uncontrolled environment. This equipment should be installed and operated with minimum distance 20 cm between the radiator & your body.

• The maximum antenna gain permitted for devices in the bands 5,250 - 5,350 MHz and 5,470 - 5,725 MHz shall comply with the e.i.r.p. limits specified for point-to-point and non point-to-point operation as appropriate.

Caution: (i) The device operating in the band 5150–5250 MHz is only for indoor use to reduce the potential for harmful interference to co-channel mobile satellite systems; (ii) The maximum antenna gain permitted for devices in the bands 5250–5350 MHz and 5470–5725 MHz shall comply with the e.i.r.p. limit; and (iii) The maximum antenna gain permitted for devices in the band 5725–5825 MHz shall comply with the e.i.r.p. limits specified for point-to-point and non point-to-point operation as appropriate. (iv) Users should also be advised that high-power radars are allocated as primary users (i.e. priority users) of the bands 5250–5350 MHz and 5650–5850 MHz and that these radars could cause interference and/or damage to LE-LAN devices.

Hereby, Paradigm Electronics Inc., declares that this PW SOUNDBAR is in compliance with the essential requirements and other relevant provisions of:

 1995/5/EC – R&TTE
2014/30/EU – EMC
2014/35/EU – LVD
2011/65/EU – ROHS2



WEEE NOTICE
Note: This mark applies only to countries within the European Union (EU) and Norway.

In accordance with the European Union WEEE (Waste Electrical and Electronic Equipment) directive 2002/96/EC effective August 13, 2005, we would like to notify you that this product may contain regulated materials which upon disposal, according to the WEEE directive, require special reuse and recycling processing. For this reason Paradigm has arranged with our distributors in European Union member nations to collect and recycle this product at no cost to you. To find your local distributor please contact the dealer from whom you purchased this product, email info@paradigm.com or visit the distributor locator at www.paradigm.com.

Please note, only this product itself falls under the WEEE directive. When disposing of packaging and other related shipping materials we encourage you to recycle these items through the normal channels.



WARNING/CAUTION!

- Hazardous voltages exist inside—do not remove cover.
- Refer servicing to a qualified technician.
- To prevent fire or shock hazard, do not expose this module to moisture.
- Unplug speaker should any abnormal conditions occur.
- Turn speaker off before making or breaking any signal connections!
- The power cord should not be installed, removed, or left detached from the speaker while the other end is connected to an AC power source.
- No candles or other sources of open flame should be placed on the speaker.
- No liquids either in glasses or vases should be placed on speaker.
- Speaker should not be exposed to dripping or splashing liquids.
- The terminals marked with the lightning bolt symbol should be connected by an instructed person or by way of ready made terminals.
- The power cord should remain readily operable should any abnormal conditions occur.
- Any changes or modifications not expressly approved by the grantee of this device could void the user's authority to operate the equipment.

For DTS patents, see <http://patents.dts.com>. Manufactured under license from DTS Licensing Limited. DTS, the Symbol, DTS in combination with the Symbol, PLAY-FI, and the DTS PLAY-FI logos are registered trademarks or trademarks of DTS, Inc. in the United States and/or other countries. © DTS, Inc. All Rights Reserved.

For DTS patents, see <http://patents.dts.com>. Manufactured under license from DTS Licensing Limited. DTS, the Symbol, DTS in combination with the Symbol, and DTS Digital Surround are registered trademarks or trademarks of DTS, Inc. in the United States and/or other countries. © DTS, Inc. All Rights Reserved.

Manufactured under license from Dolby Laboratories. Dolby, Dolby Audio and the double-D symbol are trademarks of Dolby Laboratories.

The Spotify software is subject to third party licenses found here:
www.spotify.com/connect/third-party-licenses

Windows is a registered trademark of Microsoft Corporation in the United States and other countries.

The Bluetooth word mark and logos are registered trademarks owned by Bluetooth SIG, Inc. and any use of such marks by Paradigm Electronics Inc. is under license.

Qualcomm aptX is a product of Qualcomm Technologies International, Ltd.

Qualcomm is a trademark of Qualcomm Incorporated, registered in the United States and other countries, used with permission. aptX is a trademark of Qualcomm Technologies International, Ltd., registered in the United States and other countries, used with permission.

The terms HDMI and HDMI High-Definition Multimedia Interface, and the HDMI Logo are trademarks or registered trademarks of HDMI Licensing LLC in the United States and other countries.

Apple and the Apple logo are trademarks of Apple Inc., registered in the U.S. and other countries. App Store is a service mark of Apple Inc.

Other trademarks and trade names are those of their respective owners.

AirPlay, iPad, iPhone, and iPod touch are trademarks of Apple Inc., registered in the U.S. and other countries. iPad Air and iPad mini are trademarks of Apple Inc.

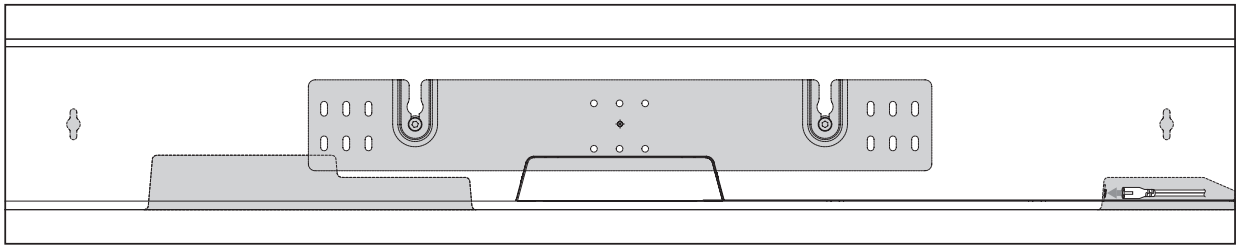
AirPlay works with iPhone, iPad, and iPod touch with iOS 4.3.3 or later, Mac with OS X Mountain Lion or later, and PC with iTunes 10.2.2 or later.

“Made for iPad” and “Made for iPhone” mean that an electronic accessory has been designed to connect specifically to iPad, or iPhone, respectively, and has been certified by the developer to meet Apple performance standards. Apple is not responsible for the operation of this device or its compliance with safety and regulatory standards. Please note that the use of this accessory with iPhone or iPad may affect wireless performance.

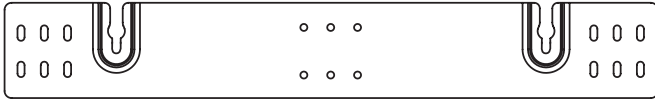
Made for:

- iPhone 6s
- iPhone 6 Plus
- iPhone 6
- iPhone 5s
- iPhone 5c
- iPhone 5
- iPad mini 4
- iPad Air 2
- iPad mini 3
- iPad Air

Introduction and Overview	7	Display	23
Placement and Mounting	7	Touch Display	23
Location	7	HDMI	24
Installing on a Flat Surface	7	Anthem Room Correction	25
On-Wall Installation	8	Power Settings	25
Connection	10	Wireless Setup (Wi-Fi and Bluetooth)	26
Power Connection	10	Learn Remote	26
Signal Connection	11	Source Name	27
Network Connection	12	Service	28
Subwoofer Connection	12	USB Upgrade	29
No Subwoofer	13	Surround Sound Decoding	30
Wired Subwoofer Connection	13	Digital Inputs (HDMI and Digital Optical)	30
Wireless Subwoofer Connection	13	Analog Input (RCA)	30
IR Output	13	Playing Audio Using DTS Play-Fi	31
Control Panel	15	Controlling Multiple Speakers	31
Remote Control	15	Additional DTS Play-Fi Features	31
Changing the Remote's Battery	16	How to use Connect	32
Programming a Second Remote	16	Updates and Rebooting	32
Display	17	Rebooting Your Soundbar	32
Wi-Fi Status	17	Soundbar Firmware Update	32
Audio Codec Status	17	DTS Play-Fi Module Update	32
Volume Level	17	DTS Play-Fi App Update	32
Current Input Custom Name	17	ARC™ (Anthem Room Correction)	33
Anthem Room Correction Status	17	Limited Warranty	34
The Menu System	18	Frequently Asked Questions	35
Entering and Exiting the Menu	18	Troubleshooting	36
Navigating the Menu	18	Dimensional Drawings	39
Menu Option: Installation	18		
Menu Option: Subwoofer	19	Serial Number: _____	
An Overview of the Menu Structure	20	Record your serial number here for easy reference. You	
Bass Level	22	will need this information when filling out your warranty	
Surrounds	22	registration. The serial number is located on the back of	
Stereo Mode	23	the soundbar and on the product carton.	
Bass Mode	23		



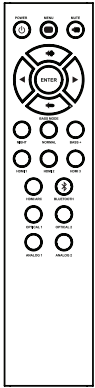
wall mount installation template



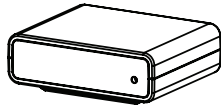
wall bracket



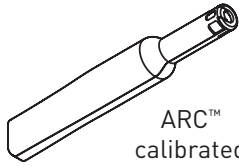
power cord
(North America only)



remote control



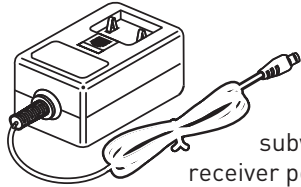
subwoofer wireless receiver



ARC™ calibrated microphone



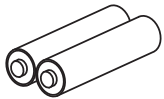
USB cable for ARC



subwoofer receiver power adapter



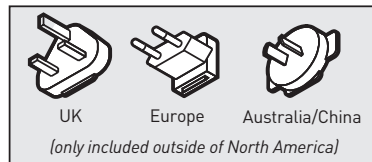
IR emitter



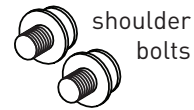
AAA batteries



(North America only)



UK Europe Australia/China
(only included outside of North America)



shoulder bolts

INTRODUCTION AND OVERVIEW

Thank you—the Paradigm owner, for loving what we do, and making it possible for us to do what we love.

Paradigm's dedicated in-house engineering and design team developed the PW SOUNDBAR to deliver exceptional multi-channel performance from a single system that easily integrates and installs in a diverse variety of environments—whether table or wall mounted. The PW SOUNDBAR produces an enveloping field of richly detailed audio for both music and movies via nine high-performance drivers and seven channels of dedicated amplification representing 100 watts of total system power.

Advanced digital signal processing technology allows Paradigm to replace five dedicated home theater speakers with a one piece solution capable of reproducing multi-channel recordings with unflinching accuracy, resolution, and detail—the inspiration behind every Paradigm design. The PW SOUNDBAR reproduces front left, right, and center channels via the system's dedicated tweeters and woofers. Surround channels are simulated using sophisticated digital signal

processing that directs sound from the system's tweeters and woofers throughout the room.

Additionally, for a fully authentic surround sound experience, the PW SOUNDBAR's built in subwoofer wireless transmitter and subwoofer wireless receiver makes connecting a dedicated subwoofer as simple as the push of a button.

A suite of wireless streaming technologies, including DTS Play-Fi®, AirPlay, and Bluetooth®, guarantees compatibility with wireless streaming applications.

Anthem® Room Correction (ARC) allows you to analyze the acoustic response of your listening environment and adjust output of the soundbar for optimal performance.

The simple remote control quickly adjusts volume and selects inputs. The remote also allows you to easily switch between three discrete acoustic modes—'Night' mode (to dial down the bass), 'Bass+' mode (for those moments requiring a little extra thunder), and a 'Normal' mode that restores normal levels.

PLACEMENT AND MOUNTING

LOCATION

We recommend locating the soundbar centered directly above or below your video display.

The soundbar menu allows you to optimize acoustic performance for either 'on-wall' or 'on-shelf' installations. You will learn more about accessing these options in the "Controls" section of this manual.

and stable platform (such as a table or audio/video rack), the soundbar can be placed directly on top.

When installing the system in this configuration, use the soundbar's menu system to choose 'Installation > Shelf Mount'.

Please note: This speaker is not magnetically shielded and should not be placed directly beneath or on top of a CRT television. The magnetic field will not affect plasma and LCD style televisions.

INSTALLING ON A FLAT SURFACE

If you have a surface that provides a wide, level,

ON-WALL INSTALLATION

The soundbar can be mounted above or below a television with the feedback display and rear connection panels orientated towards the bottom or top of the soundbar (depending on your specific installation requirements). The information shown on the soundbar display can be flipped to match your installation orientation.

Note: These instructions assume the mounting surface is standard wood frame and sheetrock construction. If you wish to mount to another type of surface, consult a bonded contractor.

Note: When installing the system in this configuration, use the soundbar's menu system to choose 'Installation > Wall Mount'. For more information, see page 18 for details.

Required tools (not included):

- Stud finder
- Level
- Electric drill and drill bits
- Phillips screwdriver

WARNING! We strongly recommend locating the wall bracket so at least one of the screw locations attaches to a stud. **WARNING!** To prevent injury, this apparatus must be securely attached to the floor/wall in accordance with the installation instructions.



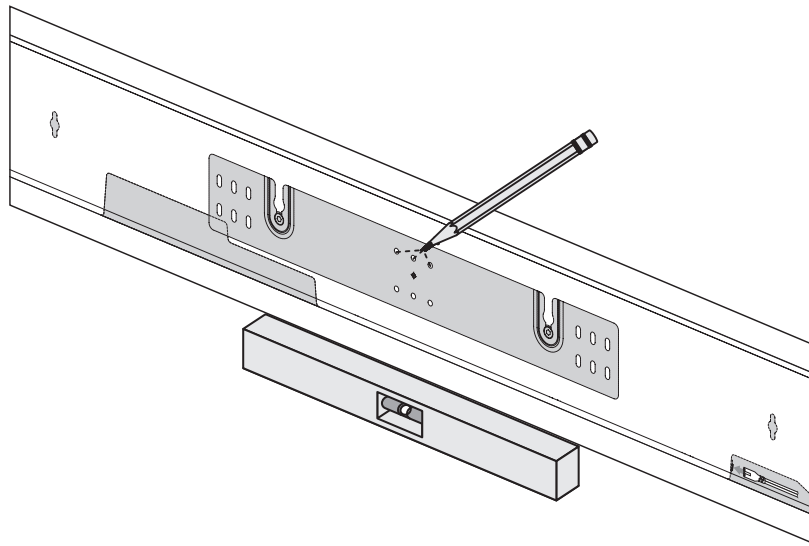
Required hardware (included):

- (1) Installation template
- (1) Wall bracket

Required hardware (not included):

- (5) Screws appropriate for mounting surface
 - (5) Sheet rock anchors (sized for screws)
1. Locate mounting location using a level and the installation template (fig. 1).
 2. Mark the three central pilot hole locations and remove the installation template (fig. 1).

Fig. 1



- Using a stud finder, determine if there is a wall stud directly behind one of the three center screw locations (fig. 2a). **If no stud is found:** use the center most screw location and drill a pilot hole for the wall anchor. Install a wall anchor at this location. **If a wall stud is found:** drill a pilot hole into the stud.

- Using a screw, attach the wall bracket to the wall. DO NOT tighten (fig. 2b).

- Using a stud finder, determine if a wall stud is directly behind any of the remaining screw locations (fig. 2a).

If no stud is found: use the top and bottom center-most screw locations. **If a wall stud is found:** use the top and bottom screw locations with a stud behind them.

Use a level to square the wall bracket and mark the remaining pilot hole locations (fig. 2b).

- Remove the wall bracket or pivot to access the remaining screw locations (fig. 2b).

If no stud is found: drill pilot holes and install wall anchors. **If a wall stud is found:** drill pilot holes into the stud.

- Using the screws, attach the wall bracket to the wall. DO NOT fully tighten.
- Use a level to square the wall bracket. Tighten all screws (fig. 2b).
- Attach audio and power cables as needed. Refer to the 'Connection' section of this manual.
- Move the soundbar into place and drop the shoulder bolts into the wall bracket keyholes. Before releasing, make sure the soundbar has dropped fully into the keyholes and is held firmly in place (fig. 3).

Fig. 2a

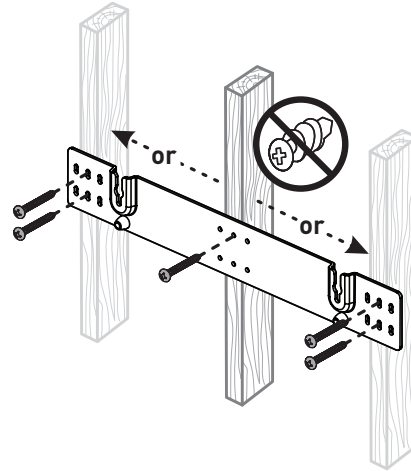


Fig. 2b

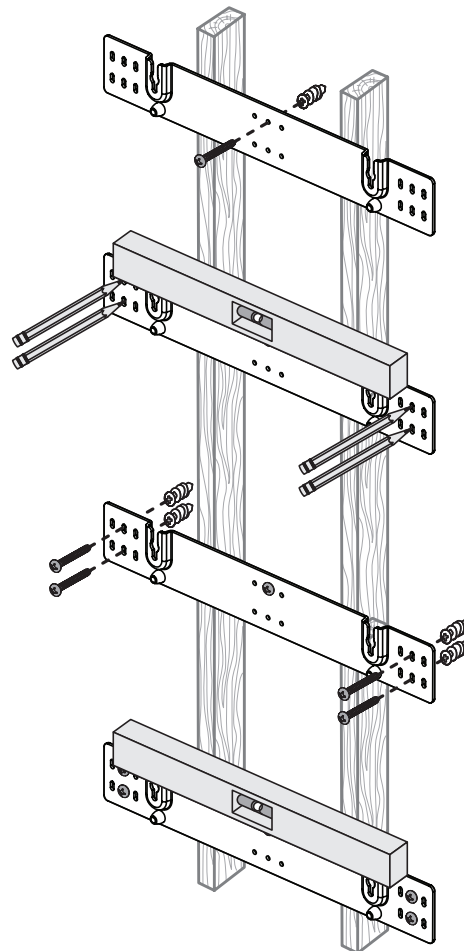
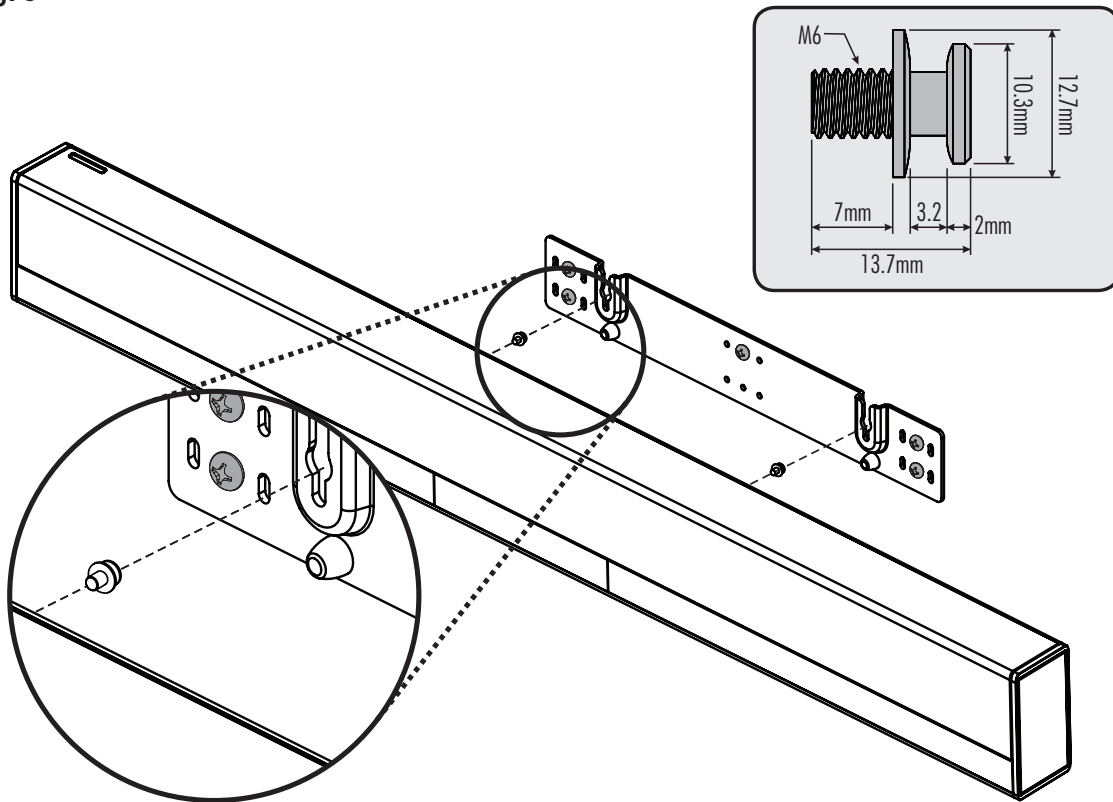



Fig. 3



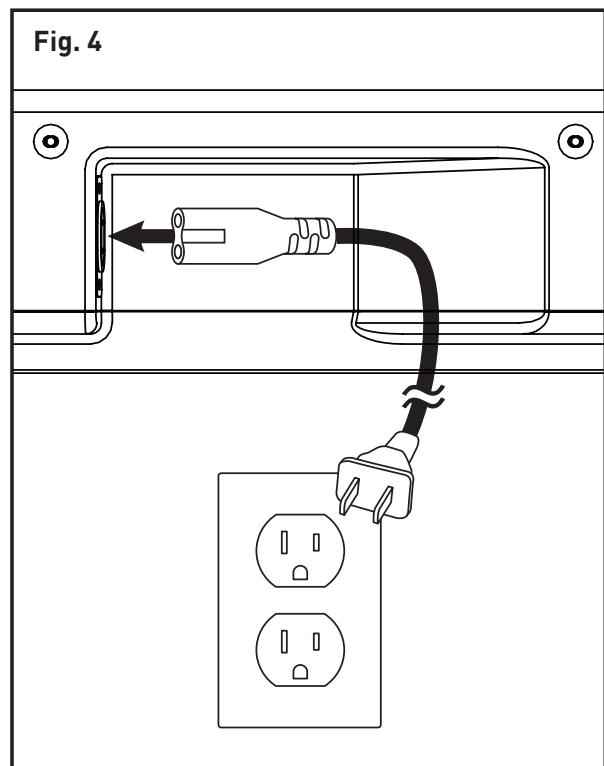
CONNECTION

Turn your soundbar off before making or breaking any signal connections! **WARNING!** The power cord should not be installed, removed, or left detached from the soundbar while the other end is connected to an AC power source. 

POWER CONNECTION

The power cord should be firmly inserted into the AC power receptacle on the rear connection panel of the soundbar, then to any convenient AC wall outlet. The soundbar also integrates a signal sensing power supply that automatically switches into standby mode after sensing no audio signal for approximately 20 minutes (this will only occur when the menu's power setting is set to 'Auto Standby').

Fig. 4



If you remove your soundbar from the country of original sale, be certain that AC power supplied in any subsequent location is suitable before connecting and operating the soundbar. Substantially impaired performance or severe damage may occur to the soundbar if operation is attempted from an incorrect AC power source.

SIGNAL CONNECTION

When utilizing the soundbar to reproduce audio, a television's audio output should be defeated. Some televisions will allow you to turn off the internal speaker via the television's menu system. Other televisions may require you to turn the television's volume to "zero" or "mute".

Additionally, if you're connecting your television audio output using a HDMI or Digital Optical connection, your television may require you to activate the output and configure it to 5.1 surround sound. Please refer to your television's manual.

Connections are made at the signal input section on the rear electronics panel of the soundbar.

Your soundbar features seven wired inputs:

- 3 x HDMI inputs (audio and video)
- 2 x Digital Optical inputs (audio only)
- 2 x Left/Right Analog (RCA) inputs (audio only)

Please note, if your soundbar is being used in

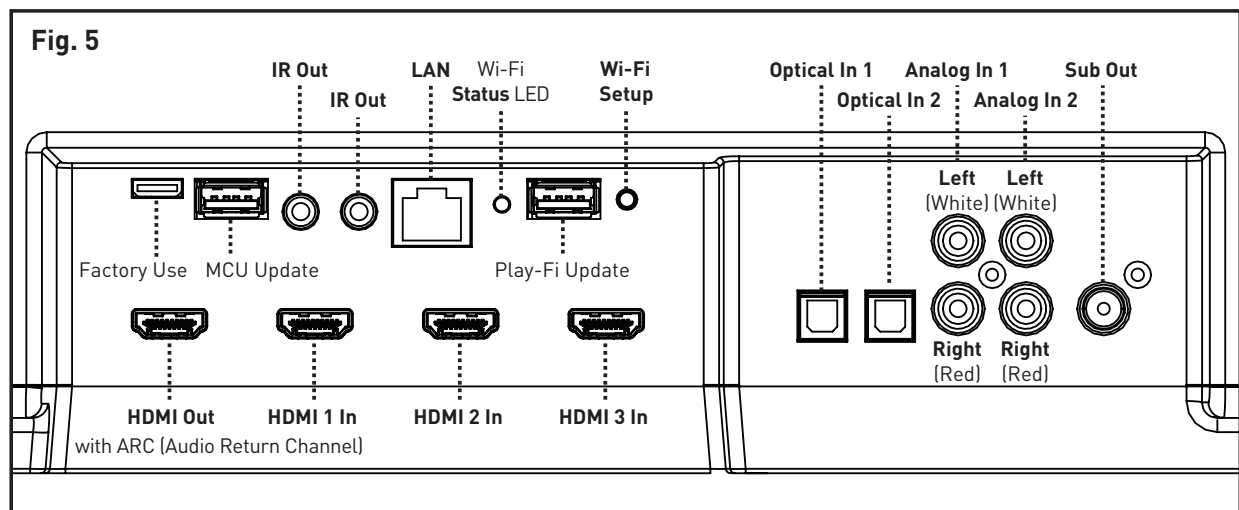
an on-wall installation you may find it helpful to use 90° RCA adapters, 90° HDMI adapters, and/or low-profile HDMI cables when making signal connections.

When connecting your system, there are any variety of configurations that will work, and these methods will vary based on user preference.

Some users will choose to route all sources (such as DVD player, cable box, game console, media streamer, etc.) to their television via an HDMI, Digital Optical, or Left/Right Analog (RCA) connection and use the television to switch between audio/video sources. The advantage of this connection method is that only one audio cable (either HDMI, Digital Optical, or Left/Right Analog (RCA) needs to connect between the television and the soundbar—and changing the input on your television will change the audio signal being sent to the soundbar (without having to change the input setting on the soundbar itself).

Please note: Many televisions are not capable of passing multi-channel encoded audio signals, as a result they will down-mix these signals to a 2-channel stereo mix before sending them to the television's HDMI, Digital Optical, or RCA output.

We recommend running cables directly from the source components to the soundbar and



run an HDMI cable from the soundbar to the TV to pass along the video signal. This allows the soundbar to receive multi-channel encoded material. Depending on your number of sources, the TV may be used for switching some sources while the primary source devices may be directly connected to the soundbar for guaranteed multi-channel sound. The soundbar's HDMI ARC (Audio Return Channel) allows video to pass from the soundbar to the television and audio to pass from the television to the soundbar on the same HDMI cable. If you're using your television as the source, choose the soundbar's HDMI ARC input to hear any sounds originating from your television. **Please note:** Not all televisions are equipped with HDMI ARC technology.

A few important points to remember when connecting your soundbar:

- An HDMI or Digital Optical connection will provide the highest audio fidelity when connected to the soundbar.
- If your soundbar is not producing sound or surround sound from your Blu-ray player, DVD player, or other multi-channel audio capable source, you may need to set the player's digital audio output to "Bitstream" (also called "Raw", "Direct Digital", or "High Bit Rate"). If "PCM" is selected you'll lose the multi-channel encoded sound. Some players only require you to turn PCM off to configure for multi-channel encoded sound. Please refer to your player's manual.
- In a setup where HDMI is used to connect your audio/video source component(s) directly to your television, you will likely need to run an additional HDMI or Digital Optical connection between the source component and your soundbar. This extra connection will allow for multi-channel encoded audio to reach the soundbar. Many televisions that receive audio/video source materials via HDMI do not pass multi-channel encoding when the audio

is passed back out of the television's Digital Optical or Left/Right Analog (RCA) outputs. Instead, many televisions pass a 2-channel mix of the sound, stripping out the center, surround and subwoofer channels from the mix. This is not true for all televisions, but many models work this way. Using an HDMI connection between the television and soundbar will maximize the potential of successfully passing a multi-channel encoded audio signal from the television to the soundbar.

- Audio-only sources capable of only stereo output (such as portable media player docks or CD player) will often connect directly to the soundbar via the Analog Input.

NETWORK CONNECTION

To stream audio to your soundbar via Play-Fi, AirPlay, or Ethernet, a connection to your network must be established using Wi-Fi or Ethernet. Refer to the Play-Fi section for details on setting up a connection to your network.

SUBWOOFER CONNECTION

You may choose to employ a separate subwoofer to reproduce the LFE (low frequency effects) channel information in multi-channel recordings and/or reinforce bass performance of stereo recordings. A Paradigm subwoofer or an alternative brand subwoofer can be connected via the soundbar's "LFE Out" RCA connection.

Additionally, this soundbar integrates a built-in subwoofer wireless transmitter and includes a subwoofer wireless receiver to simplify the connection and placement of a subwoofer within your room.

No Subwoofer (Default)

For systems not using a separate subwoofer, use the soundbar's menu system and choose "Subwoofer

> No Sub". This sets the soundbar to reproduce the entire frequency range when playing content.

Wired Subwoofer Connection

Using a high-quality RCA style cable designed for subwoofer connection, connect "Sub Out" from the soundbar to the "LFE In/Sub In" on the subwoofer.

Use the soundbar's menu system and choose 'Subwoofer > Wired Sub'.

Reference your subwoofer's manual to learn how to properly adjust the sub's level and phase controls to achieve proper blending with the soundbar. The subwoofer's crossover should be set to "bypass", "LFE". For subwoofers that do not have a "bypass" or "LFE" crossover setting, we recommend adjusting the crossover to its highest setting.

Wireless Subwoofer Connection

Press the subwoofer's sync button and hold for 3 seconds. The subwoofer's LED will blink quickly.

Use the soundbar's menu system and choose 'SUB > WIRELS > SYNC'. The soundbar will display 'PSH. BTN' [PUSH BUTTON].

If pairing has completed successfully, the subwoofer's LED will stop blinking and remain on and the soundbar will display 'SYNCED'. **Please note:** If a link is not established after 30 seconds, the subwoofer's LED will start blinking slowly and the soundbar will display 'FAILED'. Repeat if syncing fails.

Reference your subwoofer's manual to learn how to properly adjust the sub's level and phase controls. The subwoofer's crossover should be set to "bypass" or "LFE". For subwoofers that do not have a "bypass" or "LFE" crossover setting, we recommend adjusting the crossover to its highest setting.

Please note: The subwoofer wireless transmitter built in to your Paradigm PW SOUNDBAR is not compatible with Paradigm's subwoofers with built in subwoofer wireless transmitter technology. You can still utilize

wireless functionality by connecting the included subwoofer wireless receiver to the LFE input on your subwoofer or connecting a Paradigm PT-1 or PT-2 transmitter to the Sub Out on the soundbar.

Please note: If you decide to no longer use wireless, turn off the soundbar's wireless transmitter by using the menu system and choosing 'SUB > WIRELS > TRN.OFF' [TURN OFF] or 'SUB > NO SUB'. Doing this will turn off the transmitter and automatically set the soundbar for no sub.

WARNING! When operating wirelessly, the subwoofer may be susceptible to RF interference in the 2.4GHz bandwidth from microwave ovens and wireless devices such as Wi-Fi systems, video game consoles, cordless telephones, Bluetooth devices, and baby monitors. Generally, this issue (intermittent sound or slight popping noises) is easily resolved by physically separating problematic devices from one another—a distance as little as two feet will often alleviate the interference. In the case of microwave ovens, the interference will only occur when the microwave is operating.

Using a Paradigm Subwoofer

When configuring your subwoofer we recommend beginning with the following settings:

Low-pass: Bypass

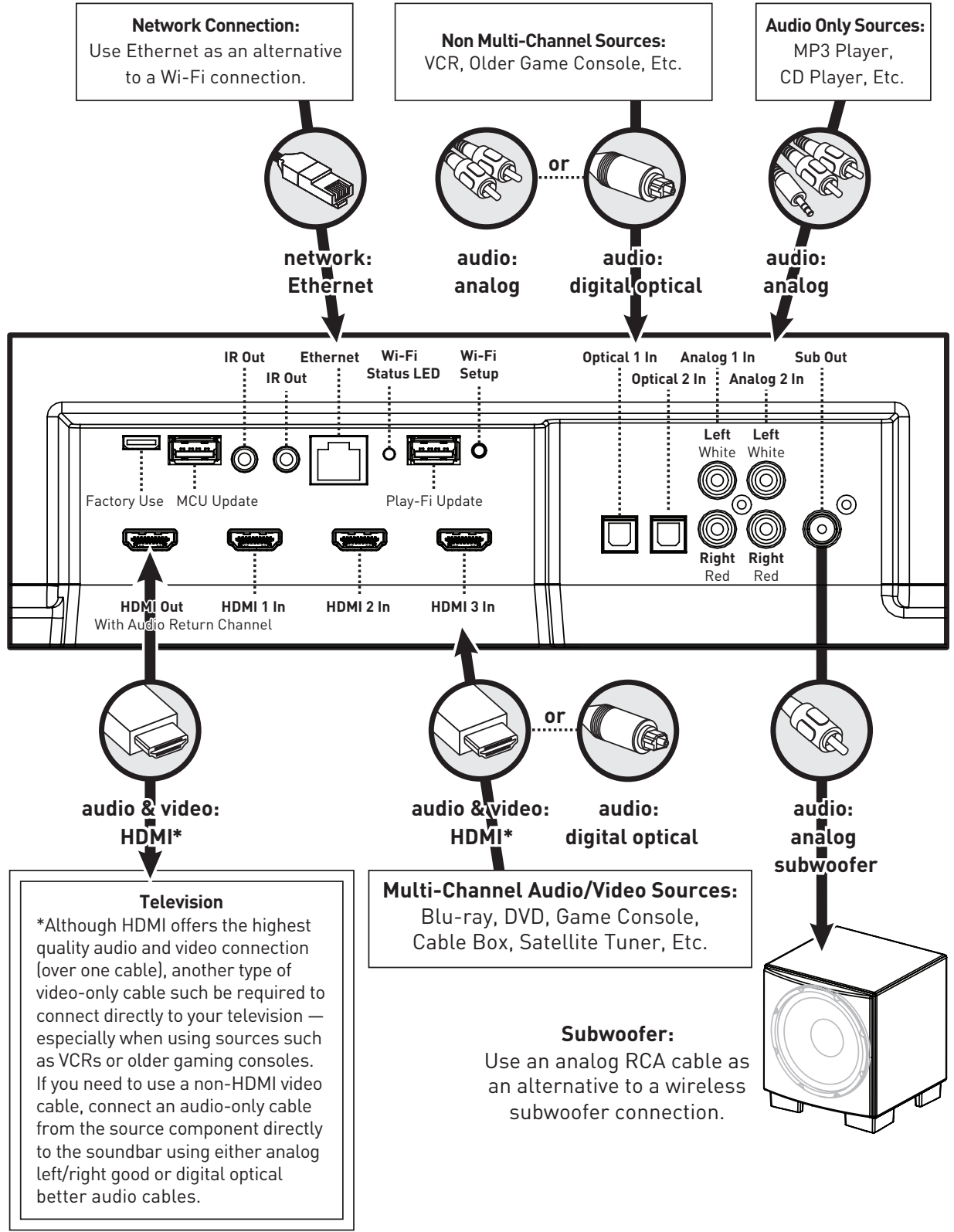
Phase: 0°

Volume: Knob set to vertical (12-o'clock to 1-o'clock position).

IR OUTPUT

These jacks accept IR emitters with 3.5mm mono-style connectors. One IR emitter is included with the soundbar. Plug the IR emitter into either of the soundbar's IR Out jacks and place the other end of the IR emitter over the IR sensor on another piece of equipment. The use of an IR emitter allows the soundbar to pass IR signals from any remote control to a tethered device—allowing control of equipment in locations a remote would not normally reach.

Fig. 6



CONTROL PANEL

Your soundbar features seven buttons that control the following functions:

MENU: Activates the setup menu. When the menu is activated the menu button will take you back one level, the volume buttons will function as up/down, and the Enter/Select button will allow you to select a menu item. Exit the menu by repeatedly pressing the Menu button.

ENTER/SELECT: When the menu is activated the Enter/Select button will allow you to select a menu item.

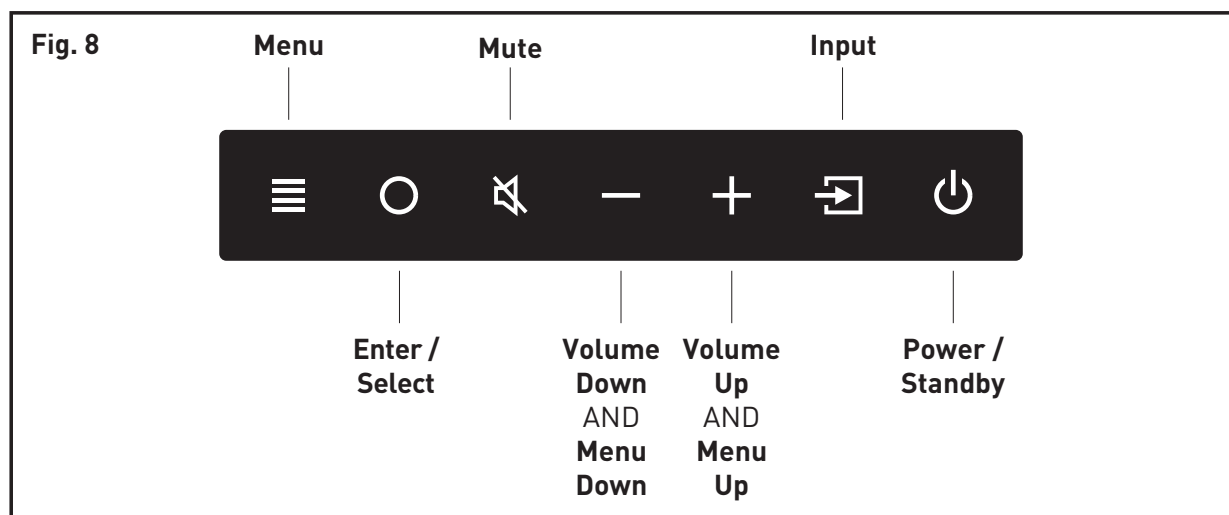
MUTE: Mutes the soundbar. When muted, the soundbar will display a Mute icon (🔇). Pressing

this button a second time or pressing either volume button will restore the previous volume setting.

VOL+/VOL--: Adjusts volume. When the menu is activated the volume buttons will function as up/down buttons.

INPUT: Cycles through the inputs. The order of the inputs is: HDMI 1 > HDMI 2 > HDMI 3 > HDMI ARC > Bluetooth > Optical 1 > Optical 2 > Analog 1 > Analog 2

POWER/STANDBY: Turns the soundbar on. Press and hold for 2 seconds to turn the soundbar off.



REMOTE CONTROL

Your soundbar remote controls these functions:

POWER: Turns the soundbar on and off.

MENU: Enters and exits the soundbar menu.

MUTE: Mutes the soundbar. When muted, the soundbar will display 'MUTE'. Pressing this

button a second time or pressing either volume button will restore the previous volume setting.

VOL+/VOL--: Adjusts volume level.

BASS MODE - NIGHT: Reduces bass output and compresses the dynamic range.

BASS MODE – BASS+: Increases bass output.

BASS MODE – NORMAL: Restores normal levels.

INPUT: Activates the selected input.

CHANGING THE REMOTE'S BATTERY

Caution! Danger of explosion if battery is incorrectly replaced. Replace only with the same or equivalent type.



The remote control for your speaker uses two AAA type batteries. Access the battery compartment by using a Phillips screwdriver to remove the screw located on the bottom of the remote.

PROGRAMMING A SECOND REMOTE

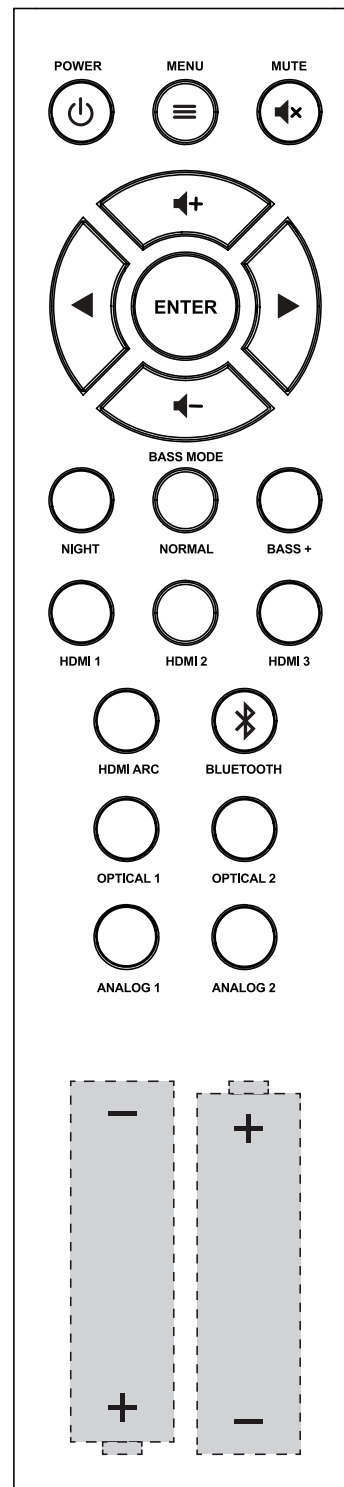
This soundbar can be programmed to respond to a second remote. See “The Menu System” section of this manual for programming instructions.

Please note: There may be remote controls that the soundbar cannot learn or that the soundbar can not learn correctly. Due to the number of available remote controls, it is impossible to advise which will or will not work.

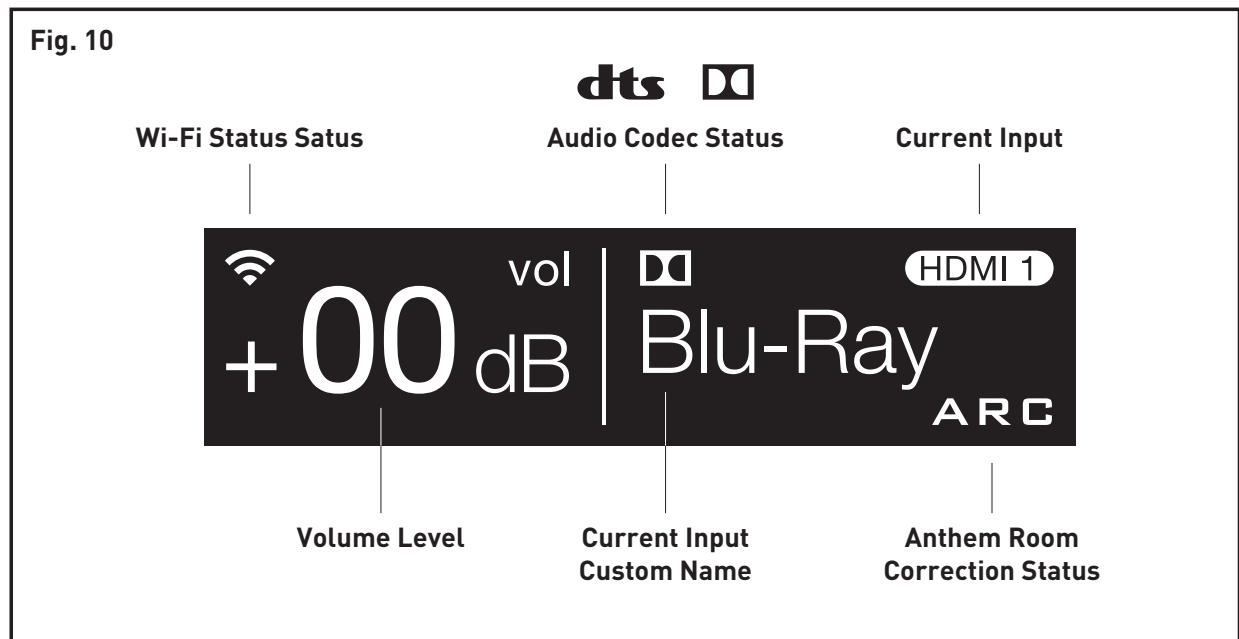
Please note: When learning from a second remote, you will likely find it does not have buttons that directly correspond with all available soundbar commands. Not all soundbar commands have to be programmed. Some remote controls offer ‘function’ buttons (F1, F2, etc.) that can be used to program unique soundbar commands such as ‘NITE.MD’ or ‘OPTIC’.

Please note: Some remote controls offer discrete ‘power on’ and ‘power off’ buttons. Some offer only a single button to toggle power on and off. The learning function of the soundbar allows you to program for either scenario.

Fig. 9



DISPLAY



Your soundbar displays the following information:

Wi-Fi Status: The Wi-Fi icon displays when a Wi-Fi connection is established. If the soundbar is configured to connect to a Wi-Fi network but unable to connect, the icon will change to an exclamation point.

Please note: The Wi-Fi Status LED on the soundbar's connection panel provides more detailed feedback.

For information on Wi-Fi setup modes and detailed setup instructions, please refer to the "DTS Play-Fi and Network Connection" section of this manual.

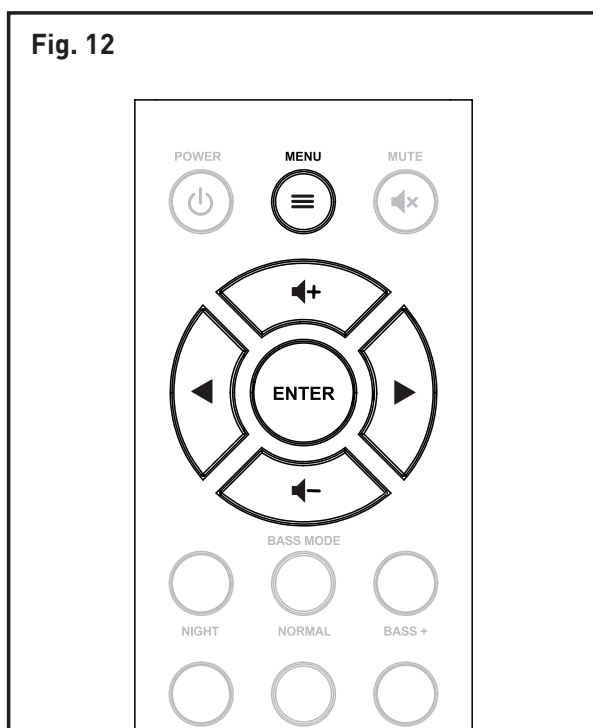
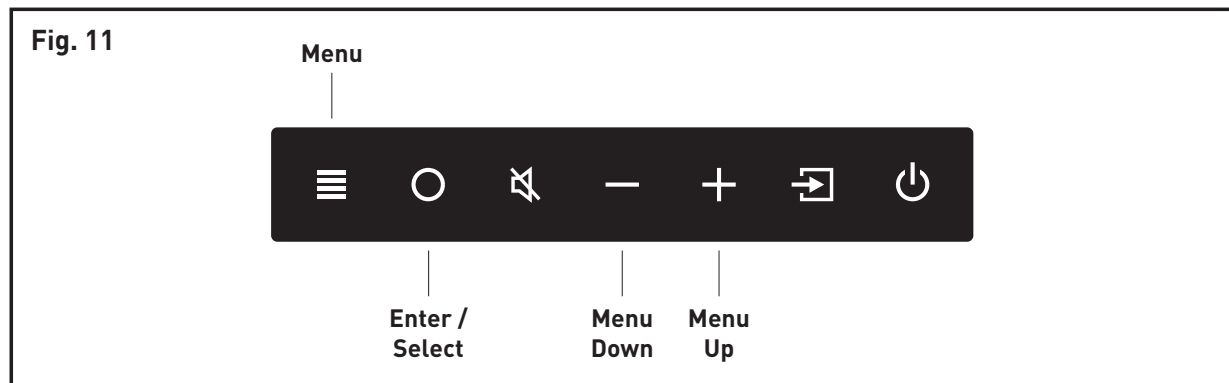
Audio Codec Status: If an audio signal with surround sound encoding is detected this icon will indicate Dolby® Digital or DTS Digital Surround™.

Volume Level: Displays the current volume level. **Current Input:** This icon indicates the input that is currently active using its standard input name. This field is not customizable.

Current Input Custom Name: This indicates the input that is currently active using its custom user defined name.

Anthem Room Correction Status: This icon indicates that Anthem Room Correction is active. This icon will not display if an Anthem Room Correction has been manually turned off or an adjustment curve has not been uploaded to the soundbar. For information on setting up ARC, please refer to the "(ARC™) Anthem Room Correction" section of this manual.

THE MENU SYSTEM



ENTERING AND EXITING THE MENU

To access the menu from the **remote**, press 'Menu'. To exit the menu from the remote, press 'Menu' again.

To access the menu from the **control panel** press the menu button. To exit, press the menu button again.

The menu auto exits after 30 seconds.

NAVIGATING THE MENU**

The menu is navigated using the 'up/down/left/right/enter' navigation system. **Up and Down** are used to cycle through the menu and submenu options. **Right or Select** are used to access a submenu or to select an option. With the remote, **left** is used to exit a submenu and go back one level. With the control panel, the menu button is used to go back one level.

MENU OPTION: INSTALLATION

Installation: Enter the submenu by pressing the enter button. The settings in this menu will adjust the soundbar's equalization and voicing for optimal performance in shelf mount or wall mount installations.

Installation > Shelf Mount (Default): This option configures the soundbar's audio output to sound best in shelf mount installations. Activate by pressing the enter button and the soundbar will respond with 'Saved'.

Installation > Wall Mount: This option configures the soundbar's audio output to sound best in wall mount installations. Activate by pressing the enter button and the soundbar will respond with 'Saved'.

MENU OPTION: SUBWOOFER

Subwoofer: Enter the submenu by pressing the enter button. Here you may configure external subwoofer integration. Please note: When integrating an external subwoofer, you must choose either a wireless connection or a wired connection. Your soundbar does not simultaneously output via both connections. The soundbar can connect to only one wireless subwoofer. However, it is possible to connect multiple wired subwoofers if you utilize a 'Y' splitter attached to the subwoofer cable, or if your subwoofer offers an output designed to daisy chain multiple subs.

Subwoofer > No Sub (Default): This option configures the soundbar to handle all bass information and will not output information via the subs wired or wireless subwoofer connections. Activate by pressing the enter button and the soundbar will respond with 'Saved'.

Subwoofer > Wired Sub: This option configures the soundbar to use an external subwoofer connected via a cable to the soundbar's Sub Out RCA connection. Activate by pressing the enter button and the soundbar will respond with 'Saved'. With this option, the wireless sub transmitter is turned off.

AN OVERVIEW OF THE MENU STRUCTURE

Installation [select installation location]

- ↳ * Shelf Mount [select when set on a flat surface]
- ↳ Wall Mount [select when mounted to a wall]
 - ↳ Above TV [select when soundbar is mounted above TV]
 - ↳ Below TV [select when soundbar is mounted below the TV]

Subwoofer [select subwoofer configuration]

- ↳ * No Sub [select when not using a subwoofer]
- ↳ Wired Sub [select when attaching a sub via a cable]
- ↳ Wireless Sub [configure a wireless subwoofer]
 - ↳ Sync Subwoofer [sync wireless sub receiver]
 - ↳ Turn Wireless Sub Off [deactivate wireless sub transmitter]

Bass Level [adjust bass level in 2dB increments]

- ↳ +10dB through -10dB [* default = 0dB]

Surrounds [configure surround options for 5.1-channel sources]

- ↳ Off [turns off simulated surrounds]
- ↳ * On [use simulated surrounds at normal level]
- ↳ +6dB [increases level of simulated surrounds +6dB]

Stereo Mode [configure options for 2-channel stereo sources]

- ↳ Wide [creates a wider stereo image]
- ↳ +Voice+ [simulates a center channel for stereo sources]
- ↳ * Normal [use original stereo signal]

Bass Mode [select EQ listening mode for bass]

- ↳ +Bass+ [sets bass EQ mode for enhanced bass]
- ↳ * Normal [returns bass EQ to normal levels]
- ↳ Night [sets bass EQ mode for reduced bass]

Display [select display mode]

- ↳ +Bright [use display at full brightness at all times]
- ↳ Dim [use dimmed display at all times]
- ↳ *Auto Bright [full brightness, display turns off automatically]
- ↳ Auto Dim [dimmed display, display turns off automatically]

Touch Display [select touch display mode]

- ↳ Off [turns off LED]
- ↳ Bright [use dimmed display at all times]
- ↳ Dim [use dimmed display at all times]
- ↳ *Auto Bright [full brightness, display turns off automatically]
- ↳ Auto Dim [dimmed display, display turns off automatically]

HDMI [configure HDMI settings]

- ↳ HDMI ARC [configure HDMI ARC]
 - ↳ * Off [turns HDMI Audio Return Channel off]
 - ↳ On [turns HDMI Audio Return Channel on]
- ↳ HDMI CEC [configure HDMI CEC]

- ↳ * Off [turns HDMI CEC off]
- ↳ On [turns HDMI CEC on]
- ↳ HDMI bypass [configure Standby HDMI bypass settings]
 - ↳ * Off [turns Standby HDMI bypass off]
 - ↳ Last Used [Standby HDMI bypass uses last HDMI used]
 - ↳ HDMI 1 [Standby HDMI bypass uses HDMI 1]
 - ↳ HDMI 2 [Standby HDMI bypass uses HDMI 2]
 - ↳ HDMI 3 [Standby HDMI bypass uses HDMI 3]
- ↳ Lip Sync [adjust lip sync delay by 5ms increments]
 - ↳ HDMI ARC [adjust lip sync for the HDMI ARC input]
 - ↳ 0ms through 300ms [* default = 0]
 - ↳ HDMI 1 [adjust lip sync for the HDMI 1 input]
 - ↳ 0ms through 300ms [* default = 0]
 - ↳ HDMI 2 [adjust lip sync for the HDMI 2 input]
 - ↳ 0ms through 300ms [* default = 0]
 - ↳ HDMI 3 [adjust lip sync for the HDMI 3 input]
 - ↳ 0ms through 300ms [* default = 0]

ARC [configure Anthem Room Correction]

- ↳ * On [turns Anthem Room Correction on, if loaded]
- ↳ Off [turns Anthem Room Correction off]

Power Settings [configure power settings]

- ↳ Power Standby [configure standby behavior]
 - ↳ * Auto Standby [soundbar turns itself on and off as needed]
 - ↳ Always On [the soundbar is always powered on]
- ↳ Power-On Volume [set default volume for power on]
 - ↳ Set
 - ↳ Max through -90dB [* default = -35dB]
 - ↳ Last Used [volume at power on is equal to previous level]
- ↳ IP Control [configure IP control]
 - ↳ +Off [turns IP Control off]
 - ↳ * On [turns IP Control on]
- ↳ Standby IP [configure Standby IP Control]
 - ↳ * Off [turns Standby IP Control off]
 - ↳ On [turns Standby IP Control on, disabled if IP Control is off]

Wireless Setup [setup wireless]

- ↳ Initialize WiFi [initiates Wi-Fi]
- ↳ Bluetooth Pairing [Bluetooth Pairing]

AN OVERVIEW OF THE MENU STRUCTURE (CONTINUED)

Learn Remote [learn remote codes for second remote control]

- Volume +
- Volume -
- Mute
- Next Input
- Previous Input
- Up
- Down
- Left
- Right
- Enter
- Bass Mode: Night
- Bass Mode: Normal
- Bass Mode: Bass+
- Stereo Mode: Wide
- Stereo Mode: Voice+
- Stereo Mode: Normal
- Power Toggle
- Power On
- Power Off
- Menu
- Input: HDMI 1
- Input: HDMI 2
- Input: HDMI 3
- Input: HDMI ARC
- Input: Bluetooth
- Input: Optical 1
- Input: Optical 2
- Input: Analog 1
- Input: Analog 2
- ARC On
- ARC Off
- Reset Remote [clear codes for second remote]
 - No [exits without clearing codes for second remote]
 - Yes [clears codes for second remote]

Source Name [assign custom names to inputs]

- HDMI 1
- HDMI 2
- HDMI 3

- HDMI ARC
- Optical 1
- Optical 2
- Analog 1
- Analog 2

Service [advanced controls]

- Firmware [displays firmware versions]
 - MCU [displays soundbar firmware version]
 - DSP [displays DSP firmware version]
 - IA3S4 [displays wireless subwoofer firmware version]
 - TC390 [displays touch button firmware version]
 - IP Address [displays soundbar dynamic IP address]
 - MAC MCU [display MAC address of soundbar MCU]
 - MAC LAN [display MAC address of soundbar LAN]
 - MAC Wi-Fi [display MAC address of soundbar Wi-Fi]
 - CAP INFO [display hardware version and DTS Play-Fi module version]
- Factory Reset [reset soundbar to original factory settings]
 - At Home [factory defaults for home use]
 - No [exits without resetting]
 - Yes [resets to factory defaults]
 - In Store [factory defaults for in-store use]
 - No [exits without resetting]
 - Yes [resets to factory defaults]

USB Upgrade [updates firmware]

- Upgrade DSP [updates DSP firmware]
- Upgrade TC390 [updates touch button firmware]
- Upgrade MCU [updates MCU firmware]
- Upgrade ALL [updates all USB upgrades]

*HOME: Factory default setting, home use.

*STORE: Factory default setting, retail store use.

Reference your subwoofer's manual to learn how to properly adjust the sub's level and phase controls to achieve proper blending with the soundbar. The subwoofer's crossover should be set to "bypass" or "LFE". For subwoofers that do not have a "bypass" or "LFE" crossover setting, we recommend adjusting the crossover to its highest setting.

Subwoofer > Wireless Sub: Enter the submenu by pressing the enter button. Here you can sync the soundbar to the subwoofer wireless receiver (included with your soundbar).

Reference your subwoofer's manual to learn how to properly adjust the sub's level and phase controls to achieve proper blending with the soundbar. The subwoofer's crossover should be set to "bypass" or "LFE". For subwoofers that do not have a "bypass" or "LFE" crossover setting, we recommend adjusting the crossover to its highest setting.

Subwoofer > Wireless Subwoofer > Sync

Subwoofer: This option connects the soundbar to the Subwoofer Wireless Receiver. Start syncing by pressing the Enter button. The soundbar will display 'Push and Hold Button'. Press and hold the subwoofer wireless receiver's sync button. Connection is successful when the status light turns solid and the soundbar responds with 'Synced'.

Subwoofer > Wireless Sub > Turn Wireless Sub

Off: This option configures the soundbar to handle all bass information and, when selected, will not output information via the wired or wireless subwoofer connections. Activate by pressing the enter button and the soundbar will respond with 'Off'. Activating this option performs the same function as 'Subwoofer > No Sub'.

MENU OPTION: BASS LEVEL

Bass Level: Enter the submenu by pressing the enter button. Here you can configure bass output by ± 10 dB in increments of 2dB.

Bass Level > -10dB to +10dB: Using the up/down directional buttons, choose the desired bass level (from -10dB to +10dB). Bass level output will be automatically set to match the value currently displayed.

MENU OPTION: SURROUNDS

Surrounds: Enter the submenu by pressing the enter button. This menu allows you to turn simulated surround channels on or off when the soundbar detects a multi-channel source.

Surrounds > Off: This option configures the soundbar (when it detects 5.1-channel encoded content) to down-mix to 3.1-channel output (left/center/right channels + subwoofer) and does not utilize simulated surround channels. All content originally intended for the surround channels is routed to the left/center/right channels. Activate by pressing the enter button and the soundbar will respond with 'Saved'.

Surrounds > On (Default): This option configures the soundbar (when it detects 5.1-channel encoded content) to fully reproduce all 5.1-channels of information including simulated surround channels. Activate by pressing the enter button and the soundbar will respond with 'Saved'.

Surrounds > +6dB: This option configures the soundbar (when it detects 5.1-channel encoded content) to fully reproduce all 5.1-channels of information including simulated surround channels with 6dB of extra output. Activate by pressing the enter button and the soundbar will respond with 'Saved'.

MENU OPTION: STEREO MODE

Stereo Mode: Enter the submenu by pressing the enter button. Here, you may set how the soundbar reproduces audio from 2-channel (stereo) sources.

Stereo Mode > Wide: This option configures the soundbar to create a wider stereo image. Activate by pressing the enter button, and the soundbar will respond with 'Saved'.

Stereo Mode > Voice+: This option configures the soundbar to reproduce the left and right channels with a simulated center channel. Activate by pressing the enter button and the soundbar will respond with 'Saved'.

Stereo Mode > Normal (Default): This option configures the soundbar to reproduce the content using only the left and right channels. Activate by pressing the enter button and the soundbar will respond with 'Saved'.

MENU OPTION: BASS MODE

Bass Mode: Enter the submenu by pressing the enter button. Here you may adjust the bass equalization of the soundbar. These options can also be activated directly from the soundbar's remote control.

Bass Mode > Bass+: This mode enhances bass output. Activate by pressing the enter button and the soundbar will respond with 'Saved'.

Bass Mode > Normal (Default): This mode returns the bass to normal levels. Activate by pressing the enter button and the soundbar will respond with 'Saved'.

Bass Mode > Night: This mode decreases bass output. Activate by pressing the enter button and the soundbar will respond with 'Saved'.

MENU OPTION: DISPLAY

Display: Enter the submenu by pressing the enter button. The settings in this menu allow you to adjust the brightness of the display and configure the display to automatically turn on and off.

Display > Bright: This option configures the soundbar's display to be on at full brightness when the soundbar is on. Activate by pressing the enter button and the soundbar will respond with 'Saved'.

Display > Dim: This option configures the soundbar's display to be on at a reduced brightness when the soundbar is on. Activate by pressing the enter button and the soundbar will respond with 'Saved'.

Display > Auto Bright (Default): This option configures the soundbar's display to be on at full brightness when a setting (such as volume or input) is changed. After a few seconds, the display will turn off. Activate by pressing the enter button and the soundbar will respond with 'Saved'.

Display > Auto Dim: This option configures the soundbar's display to be on at a reduced brightness when a setting (such as volume or input) is changed. After a few seconds the display will turn off. Activate by pressing the enter button and the soundbar will respond with 'Saved'.

MENU OPTION: TOUCH DISPLAY

Touch Display: Enter the submenu by pressing the enter button. The settings in this menu allow you to adjust the brightness of the touch display and configure the touch display to automatically turn on and off.

Touch Display > Off: This option configures the soundbar's touch display to be off when the sound-

bar is on. Activate by pressing the enter button and the soundbar will respond with 'Saved'.

Touch Display > Bright: This option configures the soundbar's touch display to be on at full brightness when the soundbar is on. Activate by pressing the enter button and the soundbar will respond with 'Saved'.

Touch Display > Dim: This option configures the soundbar's touch display to be on at a reduced brightness when the soundbar is on. Activate by pressing the enter button and the soundbar will respond with 'Saved'.

Touch Display > Auto Bright (Default): This option configures the soundbar's touch display to be on at full brightness. After a few seconds, the touch display will turn off. Activate by pressing the enter button and the soundbar will respond with 'Saved'.

Touch Display > Auto Dim: This option configures the soundbar's touch display to be on at a reduced brightness. After a few seconds the display will turn off. Activate by pressing the enter button and the soundbar will respond with 'Saved'.

MENU OPTION: HDMI

HDMI: Enter the submenu by pressing the enter button. Here you may adjust HDMI related settings.

HDMI > HDMI ARC: [HDMI Audio Return Channel] Enter the submenu by pressing the enter button. Here you may turn HDMI Audio Return channel on and off. HDMI ARC allows you to use one cable to pass video information from your soundbar to your television and send audio information from your television to your soundbar. This is useful if you have multiple sources hooked up to both your television and your soundbar and always want your soundbar to play audio.

HDMI > HDMI ARC > Off (Default) or On: This option turns the HDMI Audio Return Channel feature off or on. Activate by pressing the enter button and the soundbar will respond with 'Saved'.

HDMI > HDMI CEC: Enter the submenu by pressing the enter button. Here you may turn HDMI CEC on and off. HDMI CEC (Consumer Electronics Control) allows all compatible devices to be controlled by one remote control and exchange remote commands via the HDMI connection.

HDMI > HDMI CEC > Off (Default) or On: This option turns the Consumer Electronics Control feature off or on. Activate by pressing the enter button and the soundbar will respond with 'Saved'.

HDMI > HDMI Bypass: Enter the submenu by pressing the enter button. Here you may choose the HDMI input to use with standby HDMI bypass. This feature allows the soundbar to send audio/video signals from HDMI connected sources to your television, even when you don't want to power on the soundbar and listen to audio through it.

HDMI > HDMI Bypass > Off (Default): This option turns off the standby HDMI Bypass feature. When the soundbar is in standby it will not pass audio/video out of HDMI. Activate by pressing the enter button and the soundbar will respond with 'Saved'.

HDMI > HDMI Bypass > Last Used: This option turns on the standby HDMI Bypass feature and passes audio/video from the last HDMI input you used while the soundbar is in standby mode. Activate by pressing the enter button and the soundbar will respond with 'Saved'.

HDMI > HDMI Bypass > HDMI 1 or HDMI 2 or HDMI 3: This option turns on the standby HDMI Bypass feature and passes audio/video from the HDMI 1, HDMI 2, or HDMI 3 input while the soundbar is in standby mode. Activate by

pressing the enter button and the soundbar will respond with 'Saved'.

HDMI > Lip Sync: Enter the submenu by pressing the enter button. Here you may adjust the audio/video sync for the HDMI inputs. Adjust this setting if the timing of the audio content does not match the video content.

HDMI > Lip Sync > HDMI ARC or HDMI 1 or HDMI 2 or HDMI 3: Enter the submenu by pressing the enter button. Here you choose which input you are adjusting lip sync for.

HDMI > Lip Sync > HDMI ARC or HDMI 1 or HDMI 2 or HDMI 3 > 0ms to 300ms: Using the up/down directional buttons, choose the desired delay (from 0 milliseconds to 300 milliseconds). Adjust this setting until the audio and video from your HDMI sources are synchronized. If your audio and video from HDMI sources is already synchronized, leave this set to 0ms. Lip sync will be automatically set to match the value currently displayed.

MENU: ANTHEM ROOM CORRECTION

Anthem Room Correction: Enter the submenu by pressing the enter button. Here you may turn Anthem Room Correction on and off. Using proprietary processes, a microphone, and the power of your PC, the ARC system analyzes your soundbar's in-room sound, then computes the required correction to yield optimal performance within your acoustic environment.

Anthem Room Correction > Off or On: This option turns the Anthem Room Correction feature on or off. Activate by pressing the enter button and the soundbar will respond with 'Saved'. Please note, turning ARC on and off only makes a difference if ARC corrections have not been loaded on the soundbar.

MENU OPTION: POWER SETTINGS

Power Settings: Enter the submenu by pressing the enter button. Here you may adjust the soundbar's power options.

Power Settings > Power Standby: Enter the submenu by pressing the enter button. Here you choose whether the subwoofer is always on or turns itself on and off automatically.

Power Settings > Power Standby > Auto Standby (Default): This option configures the soundbar to turn itself off after no audio signal is detected for approximately 20 minutes. When the soundbar detects an audio signal, it will immediately turn itself on. Activate by pressing the enter button and the soundbar will respond with 'Saved'. Please note: When set to Auto Standby, if the soundbar is manually turned off (using the power button on the control panel or remote control), the soundbar will not respond to an incoming audio signal and will not turn on automatically. In this situation, turn the soundbar on using the power button on the control panel or remote control and the soundbar will resume automatic power handling.

Power Settings > Power Standby > Always On: This option configures the soundbar to remain on at all times until it is manually turned off using the power button on the control panel or remote control. Activate by pressing the enter button and the soundbar will respond with 'Saved'.

Power Settings > Power-On Volume: Enter the submenu by pressing the enter button. Here you can configure the default volume of the soundbar when it powers on or comes out of standby.

Power Settings > Power-On Volume > Set: Enter the submenu by pressing the enter button. Here you choose set the power-on volume.

Power Settings > Power-On Volume > Set > -90dB to +10dB: Using the up/down directional buttons, choose the desired volume level. Once set the soundbar will

always be set to this level when it powers on or comes out of standby. The default level is -35dB.

Power Settings > Power-On Volume > Last Used:

When Power Standby is set to "Last Used", the soundbar will power on or come out of standby at a volume level matching the volume setting when it was powered off or went into standby.

Power Settings > IP Control: Enter the submenu by pressing the enter button. Here you can turn IP Control off or on. IP Control allows the soundbar to respond to incoming IP commands from networked home control systems connected via Ethernet or Wi-Fi.

Power Settings > IP Control > Off or On: This option turns the IP Control feature off or on. Activate by pressing the enter button and the soundbar will respond with 'Saved'.

Power Settings > Standby IP: Enter the submenu by pressing the enter button. Here you can turn Standby IP Control off or on. This allows you to configure how the soundbar responds to incoming IP commands when it is in standby mode.

Power Settings > Standby IP > Off or On: This option turns the Standby IP Control feature off or on. Activate by pressing the enter button and the soundbar will respond with 'Saved'. When this setting is set to "Off" the soundbar will not respond to incoming IP command when it is powered off or in standby mode. If IP Control is set to Off, Standby IP Control is disabled.

MENU OPTION: WIRELESS SETUP

Wireless Setup: Enter the submenu by pressing the enter button. Here you may setup a Wi-Fi connection, turn Wi-Fi on or off, reset Wi-Fi settings, and setup a Bluetooth connection.

Wireless Setup > Initialize WiFi: Enter the submenu by pressing the enter button. Resetting will

clear the soundbar's Wi-Fi configuration. This function requires confirmation.

Wireless Setup > Initialize WiFi > No: Activate by pressing the enter button. Choosing this option will exit without resetting the Wi-Fi settings.

Wireless Setup > Initialize WiFi > Yes: Activate by pressing the enter button. The soundbar will respond with 'Resetting'. After a reset there is no way to recover the settings.

Wireless Setup > Bluetooth Pairing: Enter the submenu by pressing the enter button. Here you may setup a Bluetooth connection.

MENU OPTION: LEARN REMOTE

Please note: There may be remotes that the soundbar cannot learn or that the soundbar cannot learn correctly. Due to the number of available remotes, it is impossible to advise which remotes will or will not work.

Please note: When learning from a second remote, you will likely find it does not have buttons that directly correspond with all available soundbar commands. Not all commands have to be programmed. Some remotes offer 'function' buttons (F1, F2, etc.) that can be used to program unique soundbar commands such as 'Bass Mode: Night' or 'Input: HDMI 1'.

Please note: Some remote controls offer discrete 'power on' and 'power off' buttons. Some offer a single button to toggle power on and off. The learning function of the soundbar allows you to program either scenario.

Learn Remote: Enter the submenu by pressing the enter button. The settings in this menu program the soundbar to respond to a second remote control. The factory supplied remote control will always

work with the soundbar, even if the soundbar is programmed to respond to a second remote.

Using the up/down directional buttons, you can select and program the following commands:

- Volume +
- Volume –
- Mute
- Next Input
- Previous Input
- Up
- Down
- Left
- Right
- Enter
- Bass Mode: Night
- Bass Mode: Normal
- Bass Mode: Bass+
- Stereo Mode: Wide
- Stereo Mode: Voice+
- Stereo Mode: Normal
- Power Toggle
- Power On
- Power Off
- Menu
- Input: HDMI 1
- Input: HDMI 2
- Input: HDMI 3
- Input: HDMI ARC
- Input: Bluetooth
- Input: Optical 1
- Input: Optical 2
- Input: Analog 1
- Input: Analog 2
- ARC On [Anthem Room Correction On]
- ARC Off [Anthem Room Correction Off]

Choose the command you want to program and press the enter button. The soundbar will respond with 'Push Button'. Hold the second remote approximately 12 inches (30cm) from the soundbar and press the appropriate button **four times**. If the new command is learned

successfully, the soundbar's display will display "Saved". If the new command is not learned,

the soundbar will display "Failed". Repeat the process if learning fails.

Learn > Reset Remote: Enter the submenu by pressing the enter button. Erasing will clear programming for the second remote. The Reset function requires confirmation.

Learn > Reset Remote > No: Activate by pressing the enter button. Choosing this option will exit without erasing the remote programming.

Learn > Reset Remote > Yes: Activate by pressing the enter button. The soundbar will respond with 'Resetting'. After codes are reset, there is no way to recover the previous settings.

MENU OPTION: SOURCE NAME

Source Name: Enter the submenu by pressing the enter button. The settings in this menu will allow you to assign new names to display on the soundbar when changing inputs. For example, you can program the 'Optical 1' input to display 'DVD'.

Using the up/down directional buttons, you can select and program the following input names:

- HDMI 1
- HDMI 2
- HDMI 3
- HDMI ARC
- Optical 1
- Optical 2
- Analog 1
- Analog 2

Choose the input name you want to reprogram and press the enter button. The soundbar display

will display the current name. Pressing the up/down directional buttons will cycle through the available alpha-numeric characters. Pressing the left/right directional buttons will move to the next/previous space. To finish programming an input name, use the left/right buttons to move all the way to the left or right.

MENU OPTION: SERVICE

Service: Enter the submenu by pressing the enter button.

Service > Firmware: Enter this submenu by pressing the enter button.

Service > Firmware > MCU: Pressing the enter button will display the current firmware version for the soundbar's MCU (microcontroller unit).

Service > Firmware > DSP: Pressing the enter button will display the current firmware version for the soundbar DSP module.

Service > Firmware > IA3S4: Pressing the enter button will display the current firmware version for the soundbar's wireless subwoofer module.

Service > Firmware > TC390: Pressing the enter button will display the current firmware version for the soundbar's touch button module.

Service > Firmware > IP Address: Pressing the enter button will display the current firmware version for the soundbar's dynamic IP.

Service > Firmware > MAC MCU: Pressing the enter button will display the current firmware version for the mac address of the soundbar's MCU.

Service > Firmware > MAC LAN: Pressing the enter button will display the current firmware version for the mac address of the soundbar's LAN .

Service > Firmware > MAC Wi-Fi: Pressing the enter button will display the current firmware version for the mac address of the soundbar's Wi-Fi.

Service > Firmware > CAP Info: Pressing the enter button will display the current firmware version for the soundbar's DTS Play-Fi module.

Service > Factory Reset: Enter the submenu by pressing the enter button. Resetting the soundbar will restore all settings to the factory defaults settings. This will erase all user-configured presets, and Anthem Room Correction data. This function requires confirmation to reduce risk of performing an accidental reset.

Service > Factory Reset > At Home: Enter the submenu by pressing the enter button.

Service > Factory Reset > At Home > No: Activate by pressing the enter button. Choosing this option will exit without performing a reset.

Service > Factory Reset > At Home > Yes: Activate by pressing the enter button. The soundbar will respond with 'Resetting'. Once complete, your soundbar will be reset to factory default Home settings. After a reset has been performed, there is no way to recover the previous settings.

Service > Factory Reset > In Store Enter the submenu by pressing the enter button.

Service > Factory Reset > In Store > No: Activate by pressing the enter button. Choosing this option will exit without performing a reset.

Service > Factory Reset > In Store > Yes:

Activate by pressing the enter button. The soundbar will respond with 'Resetting'. Once complete, your soundbar will be reset to factory default Home settings. After a reset has been performed, there is no way to recover the previous settings.

MENU OPTION: USB UPGRADE

USB Upgrade: Enter the submenu by pressing the enter button.

USB Upgrade > Upgrade DSP > No or Yes:

This option turns the DSP Upgrade off or on. Activate by pressing the enter button and the soundbar will respond with 'Saved'.

USB Upgrade > Upgrade TC390 > No or Yes:

This option turns the TC390 Upgrade off or on. Activate by pressing the enter button and the soundbar will respond with 'Saved'.

USB Upgrade > Upgrade MCU > No or Yes:

This option turns the MCU Upgrade off or on. Activate by pressing the enter button and the soundbar will respond with 'Saved'.

USB Upgrade > Upgrade ALL > No or Yes:

This option turns the ALL Upgrade off or on. Activate by pressing the enter button and the soundbar will respond with 'Saved'.

SURROUND SOUND DECODING

DIGITAL INPUTS (HDMI and Digital Optical)

This soundbar is capable of detecting and automatically decoding multi-channel audio formats, such as those found on DVD and Blu-ray movies.

When utilizing a digital connection, the soundbar can process the following formats: Dolby® Digital, DTS Digital Surround™, and digital stereo.



ANALOG INPUT (RCA)

Digitally encoded sound information cannot be transmitted to an analog input. This connection method is adequate for most devices that only offer two channels of output (such as VCRs, CD players, older game consoles, or portable media player docks). Although most surround sound capable devices, such as DVD and Blu-ray players, offer both analog and digital connections, the digital connection should always be employed. If a source device is connected via an analog left/right RCA connection, the 5.1-channel encoded audio content will not be sent to the soundbar.

PLAYING AUDIO USING PLAY-FI

Note: Future updates to the DTS Play-Fi application may change functionality.

1. Launch the DTS Play-Fi app on your mobile device or PC (located in the system tray).
2. **Android and iOS Device Users:** Within the Play-Fi app, select your music source. You can choose from your personal music library, internet radio, or from select online music services (visit our website at paradigm.com to view a full list of available music services). **PC Users:** Any audio content from your computer can be streamed using DTS Play-Fi.
3. If you have more than one DTS Play-Fi speaker connected to your network, you will be prompted to select the speaker to which you want to stream.

CONTROLLING MULTIPLE SPEAKERS

If you have more than one Play-Fi speaker connected to your network, you can simultaneously stream the same audio to multiple speakers.

1. **Android and iOS Device Users:** Within the app, press the Play-Fi logo in the lower corner of the app. **PC Users:** Open the Play-Fi program using the icon in your system tray.
2. Select additional devices to play audio from. **PC Users:** The free version of the Windows app may not allow streaming to multiple speakers. An upgraded version of the Play-Fi app, with this capability, can be purchased from the website.

Note: 8 DTS Play-Fi speakers can be synced to play the same audio content at the same time. We recommend up to 16 DTS Play-Fi speakers on a network for the best experience, but the only limit to connected devices is how many your router can support.

TIP! Primary and Secondary Speakers

When streaming audio content to multiple devices, you will be asked to assign them to two categories: primary and secondary devices. The DTS Play-Fi module requires a primary device be selected. This maximizes synchronization between multiple devices simultaneously streaming the same content.


Select the DTS Play-Fi device with the strongest signal as your primary device. Secondary devices connect to your primary device, so if you disable your primary device, you will need to select a new primary device before audio resumes on your secondary devices.

ADDITIONAL DTS PLAY-FI FEATURES

New versions of the DTS Play-Fi app will add features not mentioned in this manual. Please refer to the app and related documentation for details on new and enhanced features such as streaming different audio content to multiple zones and grouping of two discrete speakers for stereo (left/right) playback.

HOW TO USE CONNECT

You'll need Spotify Premium to use Connect, see details overleaf.

1. Add your new device to the same Wi-Fi network as your phone, tablet or PC (see product user instructions for details).
2. Open the Spotify app on your phone, tablet or PC, and play any song.
3. If you're using the app on a phone - tap the song image in the bottom left of the screen. For tablet and PC move to step 4.
4. Tap the Connect icon 
5. Pick your device from the list. If you can't see it, just check it's connected to the same Wi-Fi network as your phone, tablet or PC.

All done! Happy listening.

Licenses

The Spotify Software is subject to third party licenses found here:
www.spotify.com/connect/third-party-licenses.

UPDATES AND REBOOTING

REBOOTING YOUR SOUNDBAR

To completely reboot your soundbar, disconnect the power cord, wait 30 seconds, and plug it back in. Press the power button to turn the soundbar on. This reboot will cycle the power off and on and force the soundbar to reconnect to your network.

DTS PLAY-FI MODULE UPDATE

The DTS Play-Fi Caprica module within your soundbar will occasionally require a firmware update. If an update is needed, the DTS Play-Fi app will notify you and guide you through the update process.

SOUNDBAR FIRMWARE UPDATE

Your soundbar Microcontroller (MCU) may occasionally require firmware updates. Please check www.paradigm.com for the latest firmware updates.

DTS PLAY-FI® APP UPDATE

If the DTS Play-Fi app on your mobile device or PC requires an update, you will be notified that an update is available and guided through the update process.
network.

ARC™ (ANTHEM ROOM CORRECTION)

Even when the finest speakers are perfectly positioned, the room itself still has a dramatic impact on any system's sound, an impact more profound than that of any individual component. Various solutions have fallen in and out of favor over the years, but none has solved the problem of "the room." Until ARC.

Using proprietary processes and the power of your PC, the ARC system analyzes each speaker's in-room sound, then computes the required correction to yield optimal performance from every speaker. It's a process that takes approximately 15 minutes. Anthem's approach is a true audiophile solution to the problems of the room.

IMPORTANT! The listening space must be silent while performing ARC. A noisy computer fan, a dishwasher or microwave running, etc. can negatively affect ARC's measurements.

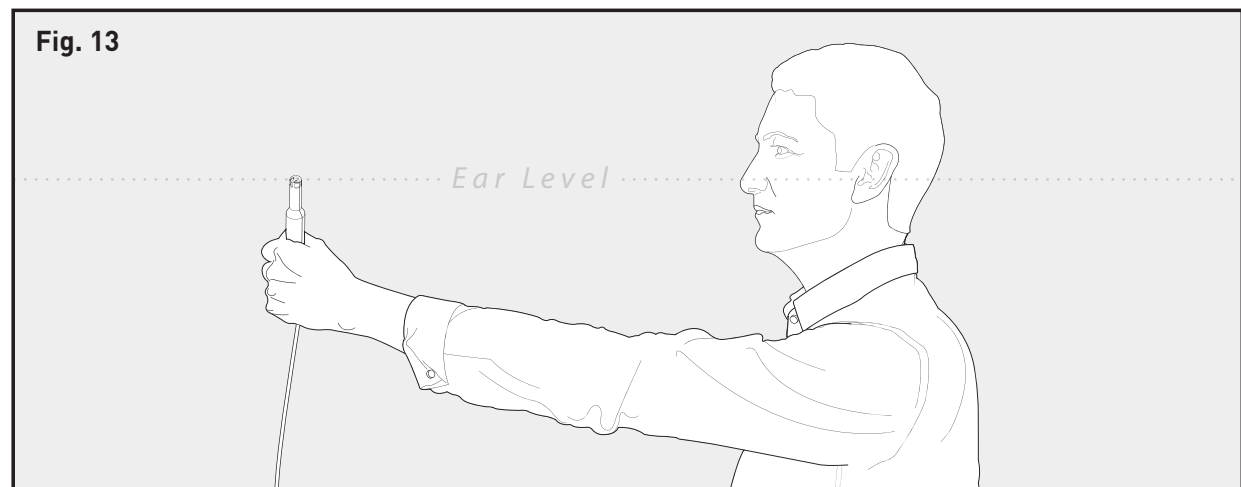
How to Use ARC Technology:

1. Ensure that your soundbar is connected to your home network and is powered on.
2. **IP Control** must be "On". To activate, or to verify that it is "On", navigate the menu system to the following location:

IP Control: **Power Settings > IP Control > On**

3. Download the latest version of ARC-2 software from www.anthemav.com and install it. Follow the on-screen instructions.
4. Using the USB cable, connect the ARC microphone to a Windows PC. The USB cable and ARC microphone are provided with your wireless product.
5. Look for the icon on your desktop and launch the ARC program. Follow the prompts on your computer screen to successfully run the ARC software; the entire process should take approximately 15 minutes.
6. Hold the ARC microphone with your arm fully extended, the ARC microphone tip must point towards the ceiling and it must be positioned at ear level (Fig. 13).
7. For best results, hold the microphone in 5 different positions around the room.

TIP! Once the ARC process is complete, the audio will be played back reflecting these corrections. To turn ARC correction on and off, use the menu and navigate to 'Anthem Room Correction'.



LIMITED WARRANTY

Paradigm® PW SOUNDBAR covered in this manual are warranted to be and remain free of manufacturing and/or material defects for a period of **one (1) year** from the date of original purchase.

Within the time periods specified, repair, replacement or adjustment of parts for manufacturing and/or material defects will be free of charge to the original owner.

Thermal or Mechanical Abuse/Misuse Is Not Covered Under Warranty.

Limitations:

- Warranty begins on date of original retail purchase. It is not transferable;
- Warranty applies to product in normal home use only. If product is subjected to any of the conditions outlined in the next section, warranty is void;
- Warranty does not apply if the product is used in professional or commercial applications.

Warranty is Void if:

- The product has been abused (intentionally or accidentally);
- The product has been used in conjunction with unsuitable or faulty equipment;
- The product has been subjected to damaging signals, derangement in transport, mechanical damage or any abnormal conditions;
- The product (including cabinet) has been tampered with or damaged by an unauthorized service facility;
- The serial number has been removed or defaced.

Owner Responsibilities:

- Provide normal/reasonable operating care and maintenance;
- Provide or pay for transportation charges for product to service facility;
- Provide proof of purchase (your sales receipt given at time of purchase must be retained for proof-of-purchase date).

Should servicing be required, contact us using the information below, to arrange, bring in or ship prepaid, any defective unit. Visit our website, **www.paradigm.com** for more information.

Paradigm Electronics Inc. reserves the right to improve the design of any product without assuming any obligation to modify any product previously manufactured.

This warranty is in lieu of all other warranties expressed or implied, of merchantability, fitness for any particular purpose and may not be extended or enlarged by anyone. In no event shall Paradigm Electronics Inc., their agents or representatives be responsible for any incidental or consequential damages. Some jurisdictions do not allow limitation of incidental or consequential damages, so this exclusion may not apply to you.

Retain this manual and your sales receipt for proof of warranty term and proof of purchase.

For additional product support, call Paradigm at **905-696-2868** or email **service@paradigm.com**

FREQUENTLY ASKED QUESTIONS

Can my soundbar be used as a dedicated center channel?

No. The soundbar is designed to work as a 2-channel stereo or multi-channel surround sound playback device.

Why is my soundbar not reproducing multi-channel (surround sound) audio?

This could be caused by any number of things. Review the “Connection” section of this manual for a better understanding of recommended connection methods and possible options that might impact the soundbar’s ability to receive multi-channel encoded audio from your television and other audio/video source components.

Will this soundbar decode Dolby® TrueHD or DTS-HD Master Audio™?

No. This soundbar will not decode Dolby TrueHD or DTS-HD Master Audio™. If your audio source (most likely a Blu-ray player) supports either of these formats, you should configure it to default to the Dolby Digital or DTS Digital Surround™ encoded sound track.

How do I connect the soundbar if my television does not have a digital optical or coaxial output?

If your television has analog outputs these can be used instead. For a digital connection connect the digital audio output of your cable box (or DVD, Blu-ray, game console, etc.) directly to the soundbar using a digital optical cable. A direct digital connection with a source component is always ideal.

How do I clean my soundbar?

Use a dust free cloth (such as a micro fiber cloth) or a soft brush to remove dust from your speakers. **Do not spray any kind of cleaning agent on or in close proximity to the drivers.**

Can I mount this soundbar on the wall with a mounting bracket that pivots?

Paradigm does not provide a pivoting wall-bracket for this soundbar. Aftermarket options may exist, but we can not recommend or guarantee a specific brand or model.

I have a Paradigm subwoofer with a built-in wireless receiver. Is my soundbar’s built-in subwoofer wireless transmitter compatible with my subwoofer?

No. The subwoofer wireless transmitter built in to your Paradigm PW SOUNDBAR is not compatible with Paradigm’s subwoofers with built in subwoofer wireless transmitter technology. You can still utilize wireless functionality by connecting the included subwoofer wireless receiver to the LFE input on your subwoofer or connecting a Paradigm PT-1 or PT-2 transmitter to the Sub Out on the soundbar.

Could you suggest a list of suitable electronics and cables ideal for Paradigm speakers?

We have no favorites and use electronics and cables quite interchangeably. We would suggest listening to a number of brands—and above all else—trust your ears. Dealers are always the best source for information when purchasing additional audio equipment.

Is there likely to be any interaction between my speakers and the television in my A/V system?

Yes, but only with CRT televisions. This soundbar is not magnetically shielded and should be kept at least 2 feet away from a CRT television. LCD and plasma televisions will not be affected.

How can I remove the metal perforated grille from the soundbar?

The soundbar’s metal perforated grille is not removable.

TROUBLESHOOTING

I'm having trouble using the Play-Fi® app.

- For information on the DTS Play-Fi app, please visit: <https://play-fi.com/faq>

Soundbar does not turn on.

- Check that the soundbar's AC power cord is firmly attached to the AC Power In input and plugged into a working AC outlet.

The Wi-Fi Status LED does not light up.

- When connected to a network with an Ethernet cable, this light will turn off.

I am unable to connect my soundbar to my network.

- Verify that your wireless network is functioning.
- Your router's wireless signal may be weak or your soundbar may be out of the range of your Wi-Fi network. Move the soundbar closer to the router or use an Ethernet connection instead.
- Reboot your soundbar. Unplug the soundbar, wait 30 seconds, plug it back in, and press the Power button. This reboot will cycle the power off and on and force the soundbar to reconnect to your network.
- Reset your soundbar to factory settings. From the menu choose 'Service > Factory Reset > At Home > Yes'. The soundbar will respond with 'Resetting'. Once complete, your soundbar will be reset to factory default home settings. After a reset has been performed, there is no way to recover the previous user configured settings.

The Play-Fi app cannot find my soundbar.

- If you are trying to setup your soundbar, verify the soundbar is fully powered on and in Access Point Mode (Wi-Fi Status LED is pulsing slowly). If the Wi-Fi Status LED does

not pulse slowly, press and hold the Wi-Fi Setup button for 8 seconds. You will hear two tones—one at 3 seconds and another at 8 seconds.

- Verify you are within the recommended range of your wireless router.
- Verify your mobile device or PC has its Wi-Fi enabled or is otherwise connected to your network.
- Verify there are no other apps running on your device that might impede wireless connectivity to your network.
- Restart your phone, tablet or PC.
- If you still can't find the soundbar on your network and are in an office environment, verify with your network administrator that no special permissions are enabled that would prevent external wireless devices from communicating with the network.
- If the soundbar is still not found, uninstall, re-download, and re-install the DTS Play-Fi® app on your mobile device or PC. Reboot the soundbar. Unplug the soundbar, wait 30 seconds, plug it back in, and press the Power button. This reboot will cycle the power off and on and force the soundbar to reconnect to your network.

The Play-Fi app reports "Play-Fi Devices Lost."

- Check that your device is powered on.
- Verify you have a strong network signal.
- Verify the network connection has not been lost.
- Check for other devices that might be causing heavy network traffic.
- Verify that your mobile device or PC has not left the range of your router.
- Verify that your mobile device or PC and your soundbar are connected to the same network.

- Verify that your soundbar's wireless streaming has not been taken over by another app.
- Exit and then restart the DTS Play-Fi app.
- Uninstall, re-download, and re-install the DTS Play-Fi app on your mobile device or PC.
- Reboot the soundbar. Unplug the soundbar, wait 30 seconds, plug it back in, and press the Power button. This reboot will cycle the power off and on and force the soundbar to reconnect to your network.

No output from the soundbar

- Check that the soundbar is turned on.
- Check that the soundbar is not muted.
- Check that the soundbar's volume is not turned all the way down.
- Check that the soundbar is set to the proper input.
- Check that all system components are turned on and source material is playing.
- Turn the soundbar off and on using the remote control or the control power button.
- Unplug the soundbar, wait 30 seconds, and plug it back in.
- Check that all interconnecting cables are connected at both ends.
- If necessary, try connecting an alternate source component to make sure the original source component isn't the problem.

No surround sound

- Review the "Connection" section of this manual for a better understanding of recommended connection methods and possible options that might impact the soundbar's ability to receive multi-channel encoded audio from your television and other audio/video source components.

Sound is coming from both my soundbar and my television

- When utilizing the soundbar to reproduce audio, the television's audio output should be defeated. Some televisions will allow you to turn off the internal speaker via the television's menu system. Other televisions may require you to turn the television's volume to "zero" or to "mute" the television.

The soundbar is too quiet even when the soundbar is turned up

- Check that the output on your television or other source components are not connected via a variable level output. Sometimes this option may be configured in your source components menu. Please refer the manual for the source component in question.

Soundbar won't learn remote codes from aftermarket remote

- Review the "Menu Option: Learn" section of this manual.
- Hold the remote 12 inches (30 cm) from the soundbar during the learning process.
- Press the appropriate button on the second remote four times.
- If the soundbar has already learned a remote code and you are attempting to program the same code to a second function the soundbar will respond with "Fail".
- There may be remote controls that the soundbar cannot learn or that the soundbar can not learn correctly. Due to the number of available remote controls, it is impossible to advise which will or will not work.
- Check the user manual and/or manufacturer's website for your aftermarket remote to see if Paradigm is supported. If so, instead of 'learning' with the soundbar, use the code provided by the manufacturer to program the aftermarket remote itself.

Soundbar remote won't work

- Replace the remote control's batteries with matching batteries.
- Make sure the batteries are installed in the proper orientation.
- If new batteries do not fix the problem, you may have a faulty remote. Call Paradigm customer service at **905-696-2868** for details.

When using an aftermarket remote, the soundbar turns off when the television turns on

- Turn the television on. Manually press the Power button on the soundbar so that both the soundbar and television are both on at the same time.

No sound coming from external sub

- Check that the external sub is turned on.
- Check that the soundbar is configured for a wired or wireless subwoofer connection. Refer to the "Subwoofer Connection" section of this manual.
- If utilizing a wired connection, check that the subwoofer cables are attached to the Sub Out connection on the soundbar and to the appropriate input on the subwoofer.
- If utilizing a wireless connection, attempt

to re-sync the wireless connection. Refer to the "Subwoofer Connection" section of this manual. If a sync attempt has failed, you may need to power down both the soundbar and subwoofer wireless receiver before trying to re-sync.

- If utilizing a wireless connection, move the subwoofer closer to the soundbar.
- Turn the soundbar off and on using the remote control or control panel power button.
- Unplug the soundbar, wait 30 seconds, and plug it back in.

External sub is too quiet

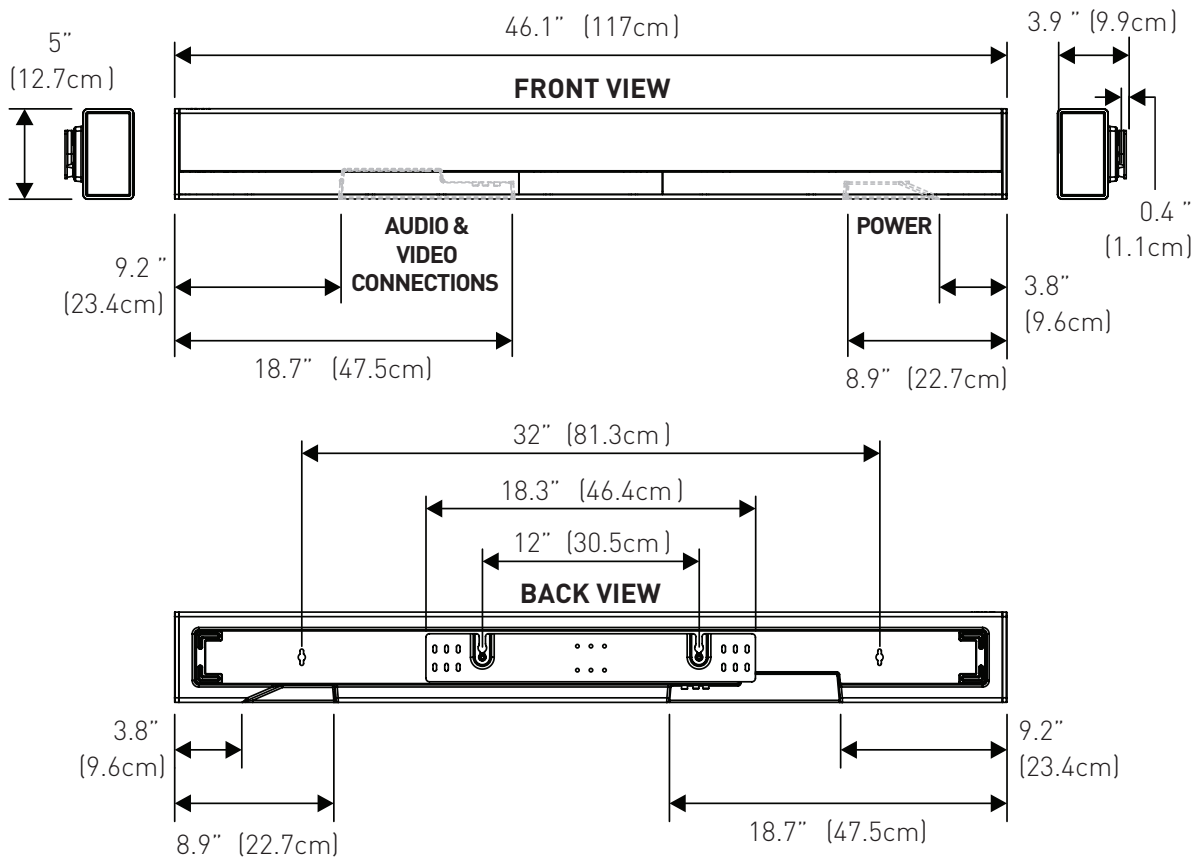
- Turn up the volume on the subwoofer.
- Adjust the bass level setting in the soundbar menu system.
- Try moving the subwoofer to a different location in the listening room.

My soundbar is not behaving as expected.

- Turn the soundbar off and on using the remote control or control panel power button.
- Unplug the soundbar, wait 30 seconds, and plug it back in.

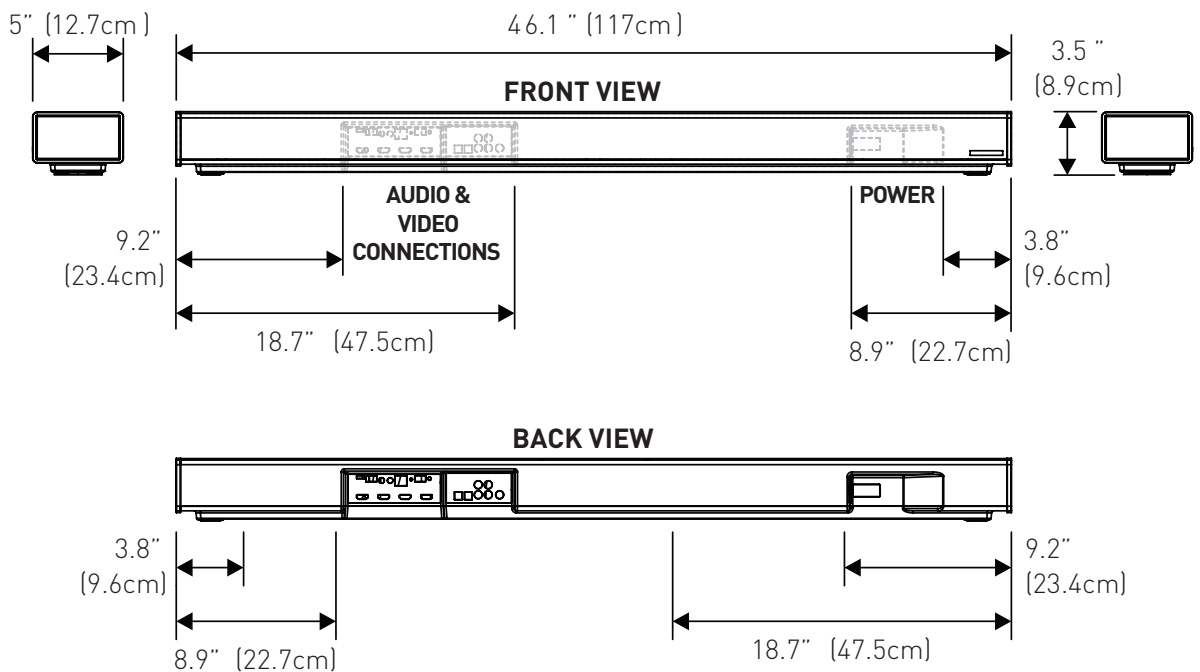
DIMENSIONAL DRAWINGS

WALL MOUNT CONFIGURATION



DIMENSIONAL DRAWINGS

TABLE MOUNT CONFIGURATION



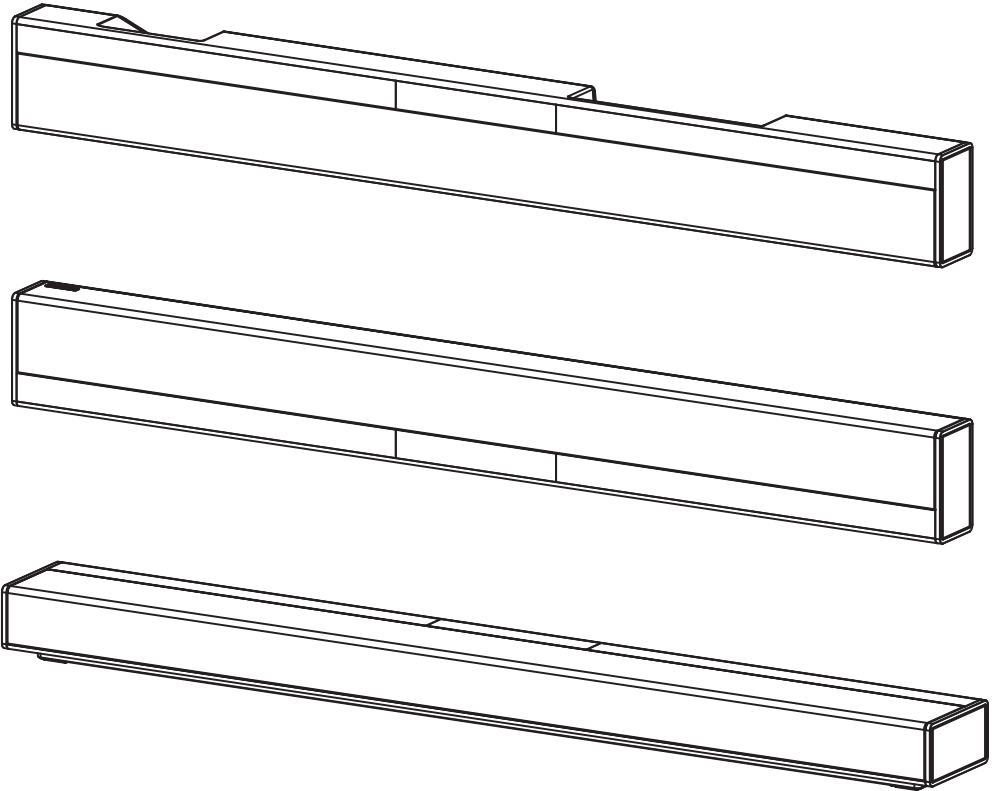
NOTES

NOTES

MANUEL D'UTILISATION




PWSOUNDBAR™



PREMIUM series WIRELESS







CAUTION
RISK OF ELECTRIC SHOCK
DO NOT OPEN

ATTENTION RISQUE DE CHOC ELECTRIQUE
NE PAS OUVRIR

Ne pas ouvrir! Risque de choc électrique. Les tensions de cet équipement sont potentiellement mortelles. Aucune pièce réparable par l'utilisateur à l'intérieur. L'entretien doit être fait par un technicien compétent. Pour éviter les risques d'incendie ou de choc, ne pas exposer ce module à l'humidité.



Le symbole de l'éclair avec une pointe en forme de flèche, dans un triangle équilatéral, avertit l'utilisateur de la présence d'une « tension dangereuse » potentielle près du produit qui peut être suffisante pour constituer un risque de décharge électrique.



Le point d'exclamation dans un triangle équilatéral avertit l'utilisateur de la présence de directives importantes en matière de fonctionnement et d'entretien (service) dans les documents qui accompagnent l'appareil.

PW SOUNDBAR
Testé pour être conforme aux normes FCC
POUR UNE UTILISATION À LA MAISON OU AU BUREAU


CONSIGNES DE SÉCURITÉ IMPORTANTES

- 1 Lisez les consignes.
- 2 Conservez les consignes.
- 3 Tenez compte de toutes les mises en garde.
- 4 Suivez les consignes.
- 5 N'utilisez pas cet appareil près de l'eau.
- 6 Nettoyez uniquement avec un linge sec.
- 7 Ne bloquez pas les ouvertures de ventilation. Installez conformément aux instructions du fabricant.
- 8 N'installez pas le produit près des sources de chaleur, telles que les radiateurs, les registres de chaleur, les poêles ou les autres appareils qui produisent de la chaleur (y compris les amplificateurs).
- 9 N'oubliez pas la caractéristique de sécurité de la fiche polarisée ou de type polarisé. Une fiche polarisée a deux lames dont une est plus large que l'autre. Une fiche de type polarisé a deux lames et une troisième qui agit à titre de broche de masse. La lame large ou la broche de masse sont fournies pour votre sécurité. Si la fiche fournie n'entre pas dans la prise murale, consultez un électricien pour qu'il remplace la prise obsolète.
- 10 Protégez le cordon d'alimentation pour qu'il ne soit pas piétiné ou écrasé par des articles placés ou appuyés sur ceux-ci, en prêtant particulièrement attention à la fiche des cordons, aux réceptacles d'utilité et à l'endroit où ils sortent de l'appareil.
- 11 Utilisez uniquement les pièces ou les accessoires recommandés par le fabricant.

- 12 Utilisez uniquement avec le chariot, le pied, le trépied, le support ou la table recommandé par le fabricant ou vendu avec l'appareil. Lorsque vous utilisez un chariot, faites attention lorsque vous déplacez le chariot/appareil pour éviter de vous blesser s'il bascule.
- 13 Débranchez l'appareil lors des orages électriques ou lorsque vous ne l'utilisez pas pendant une longue période.
- 14 Faites effectuer toutes les réparations par un technicien compétent. Des réparations sont nécessaires lorsque l'appareil a été endommagé de quelque façon que ce soit, par exemple, lorsque le cordon d'alimentation est endommagé, que du liquide ou des objets sont tombés dans l'appareil, que l'appareil a été exposé à la pluie ou à l'humidité, qu'il ne fonctionne pas normalement ou qu'il est tombé sur le sol.
- 15 Pour débrancher complètement cet appareil des sources principales, débranchez le cordon d'alimentation du réceptacle.
- 16 La prise principale du cordon d'alimentation doit être facilement accessible.
- 17 **MISE EN GARDE** : risque d'explosion si la pile n'est pas placée correctement. Remplacez la pile uniquement avec le même type de pile ou un type équivalent (AAA). Jetez les piles épuisées conformément aux lois locales.
- 18 Pour éviter les surchauffes, ne couvrez pas l'appareil. Installez l'appareil conformément aux instructions du fabricant.
- 19 Aucune flamme nue, comme une chandelle, ne doit être placée sur l'appareil.
- 20 N'exposez pas cet appareil aux gouttes et aux éclaboussures et assurez-vous qu'aucun objet contenant des liquides, tel qu'un vase, n'est placé sur l'appareil.
- 21 Les piles (bloc-piles ou piles installés) ne doivent pas être exposées à une chaleur excessive comme les rayons du soleil, un feu ou quelque chose de semblable.
- 22 Pour les appareils montés sur un mur, l'appareil doit être installé sur du bois solide, des briques, du béton ou des colonnes et des lattes en bois solides.
- 23 NE surchargez PAS les prises murales ou les rallonges électriques au-delà de leur capacité nominale, car cela peut causer un choc électrique ou un incendie.
- 24 Respectez les distances minimales autour de l'appareil pour assurer une ventilation suffisante.
- 25 La ventilation ne doit pas être bloquée en couvrant les ouvertures de ventilation avec des articles comme des journaux, des linges de table, des rideaux, etc.
- 26 N'ingérez pas la pile, risque de brûlure chimique.
- 27 Gardez les piles nouvelles et usagées hors de la portée des enfants.
- 28 Si le compartiment à piles ne se ferme pas bien, cessez d'utiliser le produit et gardez-le hors de la portée des enfants.
- 29 Si vous pensez que les piles ont été avalées ou placées à l'intérieur d'une partie du corps, consultez immédiatement un médecin.
- 30 Les piles (pile, piles ou bloc-pile) ne doivent pas être exposées à une chaleur excessive comme les rayons du soleil, un feu ou quelque chose de semblable.
- 31 Risque de fuite. Utilisez uniquement les piles du type indiqué.



Ne mélangez jamais de nouvelles piles avec des piles usagées. Respectez la bonne polarité. Enlevez les piles des produits qui ne sont pas utilisés pendant une longue période. Rangez les piles dans un endroit sec.

- 32 Ne rechargez pas les piles non rechargeables.
- 33 Évitez l'exposition à la chaleur ou au froid extrême.
- 34 Cet équipement est un appareil électrique de Classe II ou à double isolation. Il a été conçu de façon à ne pas nécessiter de branchement électrique de sécurité (mise à la terre).
- 35 Risque d'explosion si la pile n'est pas bien remplacée. Remplacez-la uniquement avec le même type de pile ou un type équivalent.
- 36 (La télécommande fournie avec) ce produit contient une pile AAA. Si la pile AAA est avalée, elle peut causer des brûlures internes graves en seulement 2 heures et peut causer le décès de la personne.
- 37 Ne manipulez pas des piles AAA qui fuient ou qui sont endommagées. 
- 38 CE PRODUIT CONTIENT UNE PILE AAA. S'IL EST MAL UTILISÉ OU MAL MANIPULÉ, IL PEUT CAUSER :
 - Un risque de fumée ou de gaz
 - Un risque de chaleur
 - Un risque d'incendie
 - Un risque d'explosion

MISE EN GARDE : cet appareil est conçu pour fonctionner UNIQUEMENT avec les tensions CA indiquées sur le panneau arrière ou avec l'alimentation électrique incluse avec l'appareil. Le fonctionnement à partir de tensions autres que celles indiquées sur l'appareil pourrait causer des dommages irréversibles au produit et annuler la garantie. L'utilisation d'adaptateur de prise CA doit faire l'objet d'une attention particulière, car elle peut faire en sorte que l'appareil soit branché à des tensions pour lesquelles il n'a pas été conçu. Si l'appareil est doté d'un cordon d'alimentation détachable, utilisez uniquement le type de cordon fourni avec l'appareil ou par votre distributeur ou revendeur local. Si vous n'êtes pas certain de la tension d'utilisation appropriée, veuillez communiquer avec votre distributeur ou revendeur local.

Cet appareil est conforme à la Partie 15 du règlement FCC. Son utilisation est assujettie aux deux conditions suivantes : (1) cet appareil ne doit pas provoquer d'interférences nuisibles, et (2) cet appareil doit supporter les interférences reçues, y compris celles susceptibles de nuire à son bon fonctionnement.

ÉNONCÉ SUR LES INTERFÉRENCES DE LA FEDERAL

COMMUNICATIONS COMMISSION : Cet équipement a été testé et jugé conforme aux limites d'un appareil numérique de Classe B, en vertu de la Section 15 du règlement de la FCC. Ces limites sont conçues pour offrir une protection jugée raisonnable contre l'interférence nuisible dans une installation résidentielle. Cet équipement génère, utilise et peut émettre une énergie radiofréquence et, s'il n'est pas installé et utilisé conformément aux instructions, peut causer une interférence nuisible aux radiocommunications. Cependant, il n'y a aucune garantie de non-apparition d'interférence dans une installation particulière. Si cet équipement cause une interférence nuisible à la réception radiophonique ou télévisuelle, qu'on peut déterminer en ouvrant et en fermant l'équipement, l'utilisateur est invité à essayer de corriger l'interférence à l'aide de l'une ou de plusieurs des mesures suivantes :

- Réorienter l'antenne de réception ou la changer de place.
- Augmenter la distance entre l'équipement et le récepteur.
- Raccorder l'équipement à une prise située sur un autre circuit que celui sur lequel le récepteur est raccordé.
- Consulter le revendeur ou un technicien radio/TV compétent pour obtenir de l'aide.

Approuvé en vertu de la disposition de vérification de la Section 15 de la FCC à titre d'appareil numérique de classe B.

Les changements ou modifications non expressément approuvés par le concessionnaire de cet appareil peuvent priver l'utilisateur du droit d'utiliser l'équipement en question.

MISE EN GARDE SUR L'EXPOSITION RF : Cet équipement est conforme aux limites d'exposition aux radiations de la FCC/IC pour un environnement non contrôlé et respecte les normes d'exposition aux radiofréquences (RF) de la FCC indiquées dans le Supplément C à OET65 et à RSS-102 des règles d'exposition aux radiofréquences (RF) de l'IC. Cet équipement a des niveaux très bas d'énergie RF qui sont réputés conformes sans test du débit d'absorption spécifique (DAS).

2. MISE EN GARDE

- Pour être conforme aux exigences de conformité en matière d'exposition aux RF de la FCC, une distance de séparation d'au moins 20 cm doit être maintenue entre ce produit et toutes les personnes.
- Ce produit et son antenne ne doivent pas être installés au même endroit ou utilisés conjointement avec une autre antenne ou un autre transmetteur.
- Ce transmetteur ne doit pas être installé au même endroit qu'une autre antenne ou un autre transmetteur ou utilisé conjointement avec une autre antenne ou un autre transmetteur.
- Le fonctionnement dans la bande 5.15 - 5.25 GHz est limité à une utilisation extérieure uniquement.
- L'utilisation dans l'intervalle de fréquences 5.15 - 5.25 GHz / 5.25 - 5.35 GHz / 5.47 - 5.725 GHz est limitée à un environnement intérieur.
- Cet appareil respecte toutes les autres exigences indiquées dans la Partie 15E, Section 15.407 des règles de la FCC.

COMPREND UN MODULE DE TRANSMETTEUR AVEC ID FCC :
2AAWQ-CAPRICA2L

COMPREND ID FCC : MBBDMRS4

Cet appareil est conforme à la Partie 15 du règlement FCC. Son utilisation est assujettie aux deux conditions suivantes : (1) cet appareil ne doit pas provoquer d'interférences nuisibles, et (2) cet appareil doit supporter les interférences reçues, y compris celles susceptibles de nuire à son bon fonctionnement.

Paradigm Electronics Inc. 205 Annagem Blvd.,
Mississauga, ON L5T 2V1

NUMÉRO DE MODÈLE : PW SOUNDBAR

ID FCC : MBBPWSOUNDBAR

Information IC (pour les clients canadiens)

NUMÉRO DE MODÈLE : PW SOUNDBAR

NO IC : 11657A-PWSOUNDBAR

1. CE PRODUIT CONTIENT UN MODULE DE TRANSMETTEUR IC :
11138A-CAPRICA2L CONTIENT IC : 11657A-DMRS4

Cet appareil numérique de classe B est conforme aux normes canadiennes CAN ICES-3(B) / NMB-3(B). Le fonctionnement est sujet

aux deux conditions suivantes : (1) cet appareil ne doit pas provoquer d'interférences nuisibles, et (2) cet appareil doit supporter les interférences reçues, y compris celles susceptibles de nuire à son bon fonctionnement.

2. MISE EN GARDE

Pour éviter que les interférences radio éventuelles affectent d'autres utilisateurs, le type d'antenne et son gain doivent être choisis afin que la puissance isotrope rayonnée équivalente (p.i.r.e.) ne soit pas supérieure aux limites permises pour une communication réussie. (i) l'appareil utilisé dans la bande 5,150-5,250 MHz est uniquement destiné à une utilisation intérieure afin de réduire le potentiel d'interférence nuisible aux systèmes satellites mobiles qui partagent le canal. (ii) Les utilisateurs de radars de haute puissance sont désignés utilisateurs principaux (c.-à-d., qu'ils ont la priorité) pour les bandes 5,250-5,350 MHz et 5,650-5,850 MHz et que ces radars pourraient causer de l'interférence et/ou des dommages aux dispositifs LAN-EL

Énoncé d'exposition aux radiations : (iii) les utilisateurs de radars de haute puissance sont désignés utilisateurs principaux (c.-à-d., qu'ils ont la priorité) pour les bandes 5,250-5,350 MHz et 5,650-5,850 MHz et ces radars pourraient causer de l'interférence et/ou des dommages aux dispositifs LAN-EL. Ce dispositif respecte les limites de l'IC sur l'exposition aux radiations établies pour un environnement non contrôlé. Cet équipement doit être installé et mis en fonctionnement à une distance minimale de 20 cm de l'appareil et de votre corps.

- Le gain maximal d'antenne permis pour les dispositifs utilisant les bandes 5,250-5,350 MHz et 5,470-5,725 MHz doit se conformer à



AVIS WEE

Remarque : cette marque s'applique uniquement aux pays de l'Union européenne (UE) et à la Norvège.

En vertu de la directive WEEE de l'Union européenne (directive sur les déchets électriques et électroniques) 2002/96/EC entrée en vigueur le 13 août 2005, nous vous avisons que ce produit pourrait renfermer des matériaux réglementés dont l'élimination doit faire l'objet de procédures de réutilisation et de recyclage particulières, selon la directive WEEE. À cette fin, Paradigm a demandé à ses distributeurs dans les pays membres de l'Union européenne de reprendre et recycler ce produit gratuitement. Pour trouver le distributeur le plus près, veuillez communiquer avec le revendeur auprès de qui vous avez acheté ce produit, envoyer un courriel à info@paradigm.com ou consulter le localisateur de distributeur sur le site Web www.paradigm.com.

Veuillez noter que seul le produit est régi par la directive WEEE. Nous vous encourageons à recycler les matériaux d'emballage et autres matériaux d'expédition selon les procédures normales.

la limite de p.i.r.e.; spécifiée pour l'exploitation point à point et non point à point, selon le cas.

MISE EN GARDE (i) les dispositifs fonctionnant dans la bande 5150-5250 MHz sont réservés uniquement pour une utilisation à l'intérieur afin de réduire les risques d'interférence préjudiciable aux systèmes de satellites mobiles utilisant les mêmes canaux; (ii) le gain maximal d'antenne permis pour les dispositifs utilisant les bandes 5250-5350 MHz et 5470-5725 MHz doit se conformer à la limite de p.i.r.e.; (iii) le gain maximal d'antenne permis pour les dispositifs utilisant la bande 5725-5825 MHz) doit se conformer à la limite de p.i.r.e. spécifiée pour l'exploitation point à point et non point à point, selon le cas. (iv) De plus, les utilisateurs devraient aussi être avisés que les utilisateurs de radars de haute puissance sont désignés utilisateurs principaux (c.-à-d., qu'ils ont la priorité) pour les bandes 5250-5350 MHz et 5650-5850 MHz et que ces radars pourraient causer de l'interférence et/ou des dommages aux dispositifs LAN-EL.

Par les présentes, Paradigm Electronics Inc., déclare que ce produit PW SOUNDBAR est conforme aux exigences essentielles et aux autres dispositions pertinentes de :

1995/5/EC – R&TTE

2014/30/EU – EMC

 2014/35/EC – LVD

 2011/65/EU – ROHS2



AVERTISSEMENT/MISE EN GARDE!

- Tensions dangereuses à l'intérieur – ne pas retirer le couvercle.
- Les réparations doivent être effectuées par un technicien compétent.
- Pour éviter les risques d'incendie ou de choc, ne pas exposer ce module à l'humidité.
- Débrancher l'enceinte en cas de situations anormales.
- Éteindre l'enceinte avant de faire ou de défaire des raccords de signal!
- Le cordon d'alimentation ne doit pas être installé, enlevé ou laissé détaché de l'enceinte lorsque l'autre extrémité est raccordée à une source d'alimentation CA.
- Aucune chandelle ou autre source de flamme nue ne doit être placée sur l'enceinte.
- Aucun liquide, dans un verre ou un vase, ne doit être placé sur l'enceinte.
- L'enceinte ne doit pas être exposée à des écoulements ou à des éclaboussures de liquide.
- Les bornes marquées d'un symbole d'éclair doivent être raccordées par une personne compétente ou par des bornes déjà raccordées.
- Le cordon d'alimentation doit rester facilement accessible en cas de conditions anormales.
- Les changements ou modifications non expressément approuvés par le concessionnaire de cet appareil peuvent priver l'utilisateur du droit d'utiliser l'équipement en question.

Pour les brevets DTS, voir <http://patents.dts.com>.
Fabriqué sous licence de DTS Licensing Limited. DTS, Play-Fi, le symbole, DTS combiné au symbole, PLAY-FI, et le logo DTS PLAY-FI sont des marques de commerce déposées ou des marques de commerce de DTS, Inc. aux États-Unis et/ou dans les autres pays. © DTS, Inc. Tous droits réservés.

Pour les brevets DTS, voir <http://patents.dts.com>.
Fabriqué sous licence de DTS Licensing Limited. DTS, le symbole, DTS combiné au symbole, et DTS Digital Surround sont des marques de commerce déposées ou des marques de commerce de DTS, Inc. aux États-Unis et/ou dans les autres pays. © DTS, Inc. Tous droits réservés.

Fabriqué sous licence de Dolby Laboratories. Dolby, Dolby Audio et le symbole de D double sont des marques de commerce de Dolby Laboratories.

Le logiciel Spotify est assujéti à des licences de tiers disponibles ici : www.spotify.com/connect/third-party-licenses.

Windows est une marque de commerce déposée de Microsoft Corporation aux États-Unis et dans d'autres pays.

Le mot servant de marque Bluetooth^{MD} et les logos sont des marques de commerce déposées possédées par Bluetooth SIG, Inc. et toute utilisation de ces marques par Paradigm Electronics Inc. est autorisée par licence.

Qualcomm aptX est le produit de Qualcomm Technologies International, Ltd.

Qualcomm est une marque déposée enregistrée de Qualcomm Incorporated, enregistrées aux États-Unis et dans d'autres pays, utilisées avec autorisation. aptX est une marque déposée enregistrée de Qualcomm Technologies International, Ltd., enregistrées aux États-Unis et dans d'autres pays, utilisées avec autorisation.

Les termes HDMI et High-Definition Multimedia Interface, et le logo HDMI sont des marques de commerce ou des marques de commerce déposées de HDMI Licensing LLC aux États-Unis et dans les autres pays.

Apple et le logo Apple sont des marques de commerce d'Apple Inc., enregistrées aux É.-U. et dans les autres pays. App Store est une marque de service d'Apple Inc.

Les autres marques de commerce et noms commerciaux sont la propriété de leur propriétaire respectif.

AirPlay, iPad, iPhone et iPod touch sont des marques de commerce d'Apple Inc., enregistrées aux É.-U. et dans les autres pays. iPad Air et iPad mini sont des marques de commerce d'Apple Inc.

AirPlay fonctionne avec les iPhone, iPad et iPod touch dotés d'iOS 4.3.3 ou d'une version ultérieure, Mac dotés d'OS X Mountain Lion, et Mac et PC avec iTunes 10.2.2 ou une version ultérieure.

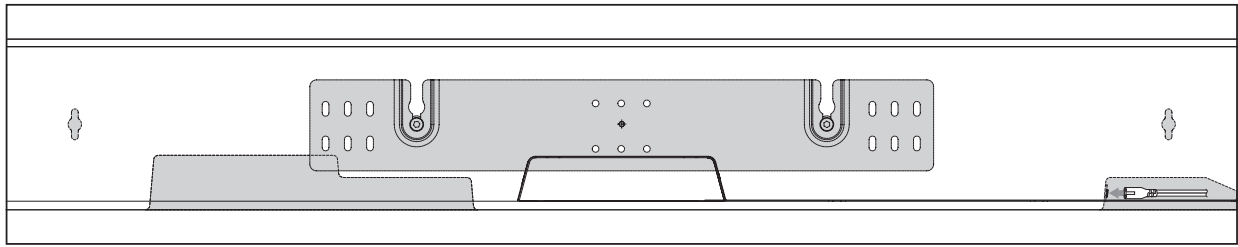
Les termes « Made for iPad » et « Made for iPhone » signifient qu'un accessoire électronique a été conçu pour se brancher spécifiquement aux appareils iPad ou iPhone, respectivement, et qu'il a été certifié par le développeur pour répondre aux normes de rendement

d'Apple. Apple n'est pas responsable du fonctionnement de cet appareil ou de sa conformité aux normes de sécurité ou réglementaires. Veuillez noter que l'utilisation de cet accessoire avec un iPhone ou iPad peut avoir des répercussions sur le rendement de la fonction sans fil.

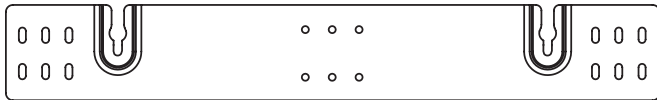
Conçu pour :

- iPhone 6s
- iPhone 6 Plus
- iPhone 6
- iPhone 5s
- iPhone 5c
- iPhone 5
- iPad mini 4
- iPad Air 2
- iPad mini 3
- iPad Air

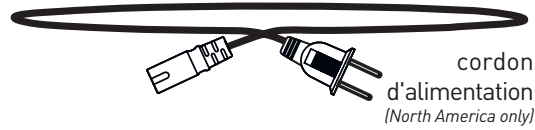
Introduction et aperçu	7	Bass mode (mode graves)	24
Positionnement et montage	7	Display (affichage)	25
Emplacement	7	Touch Display (affichage tactile)	25
Installation sur une surface plate	7	HDMI	25
Installation sur un mur	8	ARC (Anthem Room Correction)	27
Raccordement	10	Power settings (paramètres d'alimentation)	27
Raccordement de l'alimentation	10	Configuration sans fil (Wi-Fi et Bluetooth)	28
Raccordement du signal	11	Learn remote (apprentissage télécommande)	28
Connexion réseau	13	Source name (nom de la source)	30
Raccordement d'un caisson de sous-graves	13	Service	30
Aucun caisson de sous graves	13	USB Upgrade (mise à jour USB)	31
Raccordement câblé à un caisson de sous-graves	13	Décodage du son ambiophonique	32
Raccordement sans fil à un caisson de sous-graves	13	Entrées Optiques Numériques	32
Sorties IR	14	Entrée Analogique	32
Panneau de commande	16	Lecture de l'audio à l'aide du DTS Play-Fi	32
Télécommande	16	Commande d'enceintes multiples	32
Changer la pile de la télécommande	17	Caractéristiques DTS Play-Fi supplémentaires	33
Programmation d'une deuxième télécommande	17	 Fonctionnement de Spotify Connect	33
Affichage	18	Mises à jour et redémarrage	34
Statut Wi-Fi :	18	Redémarrage de la barre de son	34
Statut Audio Codec	18	Mise à jour du micrologiciel de la barre de son	34
Niveau de volume	18	Mise à jour du module DTS Play-Fi	34
Entrée actuelle	18	Mise à jour du DTS Play-Fi	34
Nom personnalisé de l'entrée actuelle	18	ARC^{MC} (Anthem Room Correction)	35
Statut Anthem Room Correction	18	Garantie limitée	36
Le système de menu	19	Foire aux questions	37
Entrer et sortir du menu	19	Dépannage	38
Naviguer dans le menu	19	Dessins dimensionnels	41
Installation	19		
Caisson de sous-graves	20		
Un aperçu de la structure du Menu	21	Numéro de série: _____	
Bass level (niveau des graves)	23	Veuillez noter votre numéro de série ici pour le retrouver facilement. Vous aurez besoin de ce numéro lorsque vous remplirez l'inscription à la garantie. Le numéro de série se trouve sur la partie arrière de la barre de son et sur le carton d'emballage.	
Surrounds (ambiophoniques)	23		
Stereo mode (mode stéréo)	24		



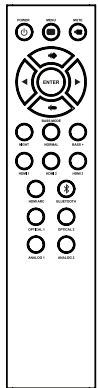
gabarit d'installation pour montage au mur



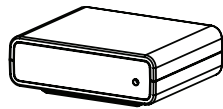
support mural



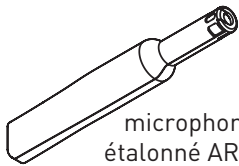
cordon d'alimentation
(North America only)



télécommande



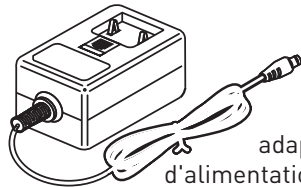
récepteur du caisson de sous-graves



microphone étalonné ARC^{MC}



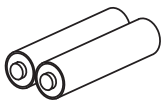
câble USB pour l'ARC



adaptateur d'alimentation du récepteur du caisson de sous-graves



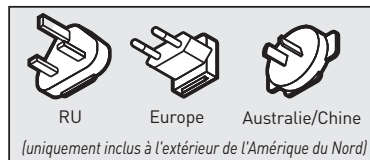
émetteur IR



piles AAA



(Amérique du Nord uniquement)



RU

Europe

Australie/Chine

(uniquement inclus à l'extérieur de l'Amérique du Nord)



Boulons à épaulement

INTRODUCTION ET APERÇU

Merci à vous, propriétaire d'un produit Paradigm, d'aimer ce que nous faisons, et de faire en sorte que nous puissions faire ce que nous aimons.

L'équipe de génie et de conception dévouée de Paradigm a développé la barre de son PW SOUNDBAR afin d'offrir un rendement multicanaux exceptionnel à partir d'un seul système qui s'intègre et s'installe facilement dans divers environnements – que ce soit sur une table ou sur un mur. La barre de son Paradigm PW SOUNDBAR produit un champ enveloppant de sons richement détaillés pour la musique et les films.

La technologie de traitement du signal numérique perfectionnée permet à Paradigm de remplacer cinq enceintes dédiées de cinéma maison par une solution en une pièce capable de reproduire les enregistrements à canaux multiples sans rien perdre de la précision, de la résolution et des détails – l'inspiration derrière chaque produit Paradigm. Le modèle PW SOUNDBAR reproduit les canaux avant gauche, droit et central grâce aux haut-parleurs d'aigus et de graves dédiés du système. Les canaux ambiophoniques sont simulés à l'aide d'un traitement de signal numérique perfectionné qui dirige le son provenant des haut-parleurs d'aigus et de graves

dans l'ensemble de la pièce. De plus, pour obtenir une expérience sonore ambiophonique authentique, le transmetteur sans fil du caisson de sous-graves intégré et le récepteur sans fil du caisson de sous-graves du PW SOUNDBAR permettent de raccorder un caisson de sous-graves dédié aussi simplement que d'appuyer sur un bouton.

Un ensemble de technologies de lecture en continu sans fil intégrées, y compris DTS Play-Fi^{MD}, Apple AirPlay, et Bluetooth^{MD}, garantit la compatibilité avec les applications de lecture en continu sans fil.

Anthem^{MD} Room Correction (ARC) vous permet d'analyser la réponse acoustique de votre milieu d'écoute et d'ajuster la sortie de la barre de son pour un rendement optimal.

La télécommande simple ajuste rapidement le volume et permet de choisir les entrées. La télécommande permet également de basculer rapidement entre les trois modes acoustiques distincts —mode « Night» (nuit) (pour diminuer les graves), mode « Bass + » (graves +) (pour les moments où vous avez besoin d'un peu plus de tonnerre) et mode « normal » qui restaure les niveaux normaux.

POSITIONNEMENT ET MONTAGE

EMPLACEMENT

Nous recommandons de centrer la barre de son directement sous ou au-dessus de votre ensemble vidéo. Le menu de la barre de son vous permet d'optimiser le rendement acoustique pour les installations sur un mur ou sur une étagère. La section « commandes » de ce manuel vous en apprendra davantage sur ce sujet.

INSTALLATION SUR UNE SURFACE PLATE

Si vous avez une surface qui offre une plateforme large, au niveau et stable (comme une table ou un support vidéo/audio), vous pouvez placer la barre de son directement sur celle-ci.

Lorsque vous utilisez cette configuration pour installer le système, utilisez le système de menu de la barre de son pour choisir « Installation > Shelf Mount (montage sur une étagère) ».

Veillez noter : Cette enceinte n'est pas dotée d'une protection magnétique; ainsi, elle ne doit pas être placée directement en-dessous ou au-dessus d'une télévision à tube cathodique (CRT). Le champ magnétique n'aura aucun effet sur les télévisions de style plasma ou LCD.

INSTALLATION SUR UN MUR

La barre de son peut être montée au-dessus ou en-dessous d'une télévision avec l'affichage de rétroaction et les panneaux de connexion arrière orientés vers le bas ou le haut de la barre de son (en fonction de vos exigences d'installation particulières). L'information est montrée sur l'affichage de la barre de son et celui-ci peut être retourné pour correspondre à l'orientation de votre installation.

Remarque : Ces instructions supposent que la surface de montage est un cadre en bois standard et une feuille de gyproc. Si vous souhaitez utiliser un autre type de surface, consultez un entrepreneur compétent. Remarque : Lorsque vous utilisez cette configuration pour installer le système, utilisez le système de menu de la barre de son pour choisir «Installation > Wall Mount (montage sur un mur) ».

Matériel requis (compris) :

- (1) Gabarit d'installation
- (1) Support mural

MISE EN GARDE! Nous vous recommandons fortement de positionner le support mural de façon à ce qu'au



moins une vis soit fixée dans un montant. **MISE EN GARDE!** Pour éviter les blessures, cet appareil doit être fixé au sol/mur de façon sécuritaire, conformément aux instructions d'installation.

Outils requis (non compris) :

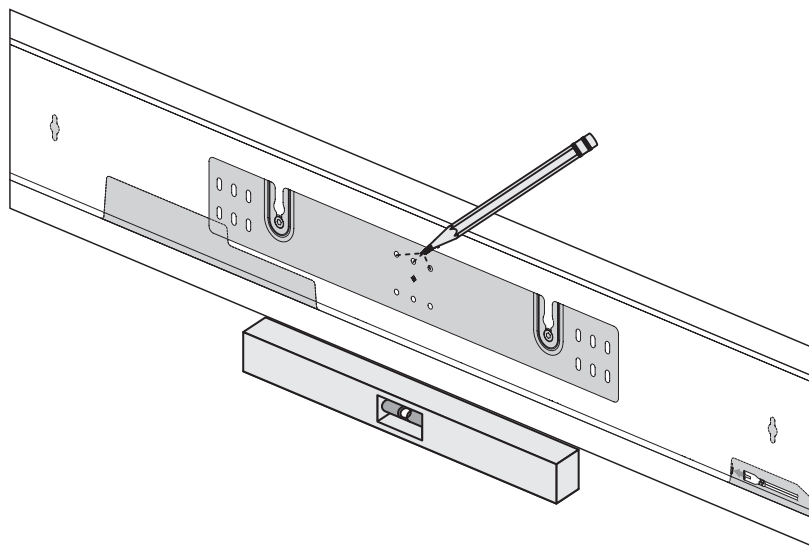
- Détecteur de montant
- Niveau
- Perceuse électrique et trépan
- Tournevis Phillips

Matériel requis (non compris) :

- (5) Vis appropriées pour la surface de montage
- (5) Ancrages à gyproc (correspondants à la taille des vis)

1. Déterminez l'emplacement de montage à l'aide d'un niveau et du gabarit d'installation (fig. 1).
2. Indiquez l'emplacement des trois trous de guidage centraux et enlevez le gabarit d'installation (fig. 1).

Fig. 1



- À l'aide d'un détecteur de montant, déterminez si un montant du mur se trouve directement derrière l'un des trois emplacements de vis centraux (fig. 2a).

Si vous ne trouvez pas de montant : utilisez

l'emplacement de vis le plus au centre et percez un trou de guidage pour l'ancrage mural. Installez un ancrage mural à cet endroit. **Si vous trouvez un montant du mur :** percez un trou de guidage dans le montant.

- À l'aide d'une vis, fixez le support mural au mur. NE serrez PAS (fig. 2b).
- À l'aide d'un détecteur de montant, déterminez si un montant du mur se trouve directement derrière les autres emplacements de vis (fig. 2a). **Si vous ne trouvez pas de montant :** utilisez les emplacements de vis supérieur et inférieur les plus au centre. **Si vous trouvez un montant du mur :** utilisez les emplacements de vis supérieur et inférieur derrière lesquels se trouve un montant.

Utilisez un niveau pour bien cadrer le support mural et indiquez les emplacements des autres trous de guidage (fig. 2b).

- Enlevez le support mural ou faites-le pivoter pour avoir accès aux autres emplacements de vis (fig. 2b). **Si vous ne trouvez pas de montant :** percez les trous de guidage et installez des ancrages muraux. **Si vous trouvez un montant du mur :** percez les trous de guidage dans le montant.
- À l'aide de vis, fixez le support mural au mur. NE serrez PAS entièrement.
- Utilisez un niveau pour cadrer le support mural. Serrez toutes les vis (fig. 2b).
- Fixez les câbles audio et d'alimentation, le cas échéant. Consultez la section « Raccordement » de ce manuel.
- Mettez la barre de son à sa place et laissez tomber les vis à épaulement dans les trous piriformes du support

mural. Avant de relâcher, assurez-vous que la barre de son est bien fixée dans les trous piriformes et qu'elle est bien soutenue (fig. 3)

Fig. 2a

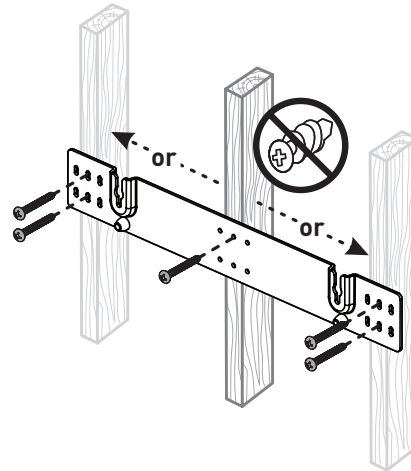


Fig. 2b

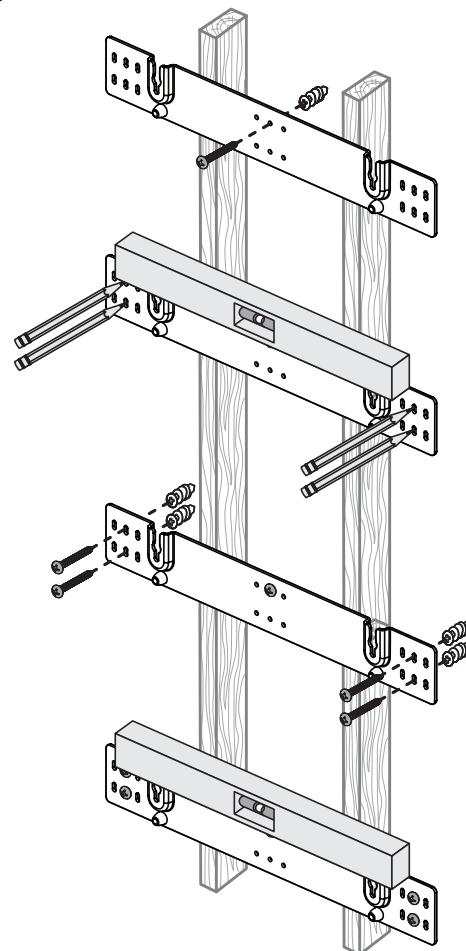
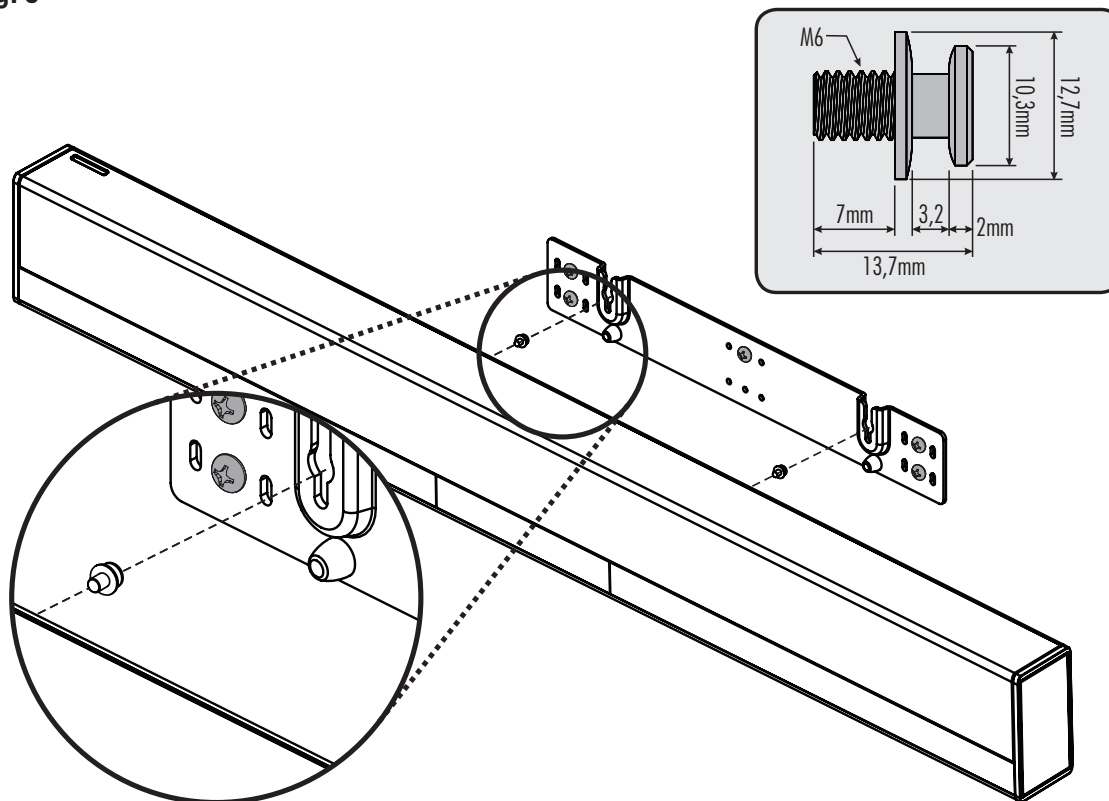


Fig. 3



RACCORDEMENT

MISE EN GARDE! Éteignez la barre de son avant de faire ou de défaire des raccords de signal! **MISE EN GARDE!**

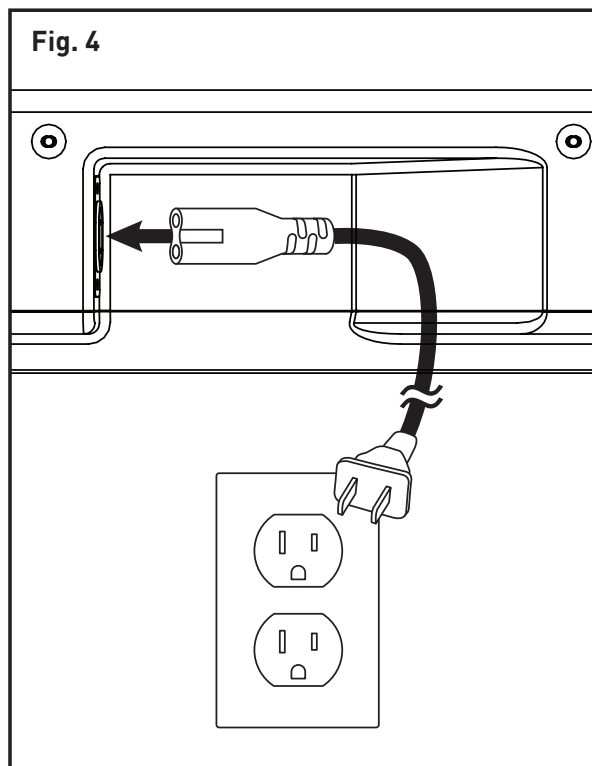


Le cordon d'alimentation ne doit pas être installé, enlevé ou laissé détaché de la barre de son lorsque l'autre extrémité est raccordée à une source d'alimentation CA.

RACCORDEMENT DE L'ALIMENTATION

Le cordon d'alimentation doit être inséré fermement dans la prise CA du panneau de raccordement arrière de la barre de son, puis l'autre extrémité doit être insérée dans une prise murale CA appropriée. La barre de son est également dotée d'un capteur de signal d'alimentation électrique qui passe automatiquement en mode veille si aucun signal n'est capté pendant 20 minutes (cela se produira uniquement lorsque le paramètre d'alimentation du menu est réglé à Auto Standby « Veille Auto »).

Fig. 4



Le cordon d'alimentation doit être inséré fermement dans la prise CA du panneau de raccordement arrière de la barre de son, puis l'autre extrémité doit être insérée dans une prise murale CA appropriée. La barre de son est également dotée d'un capteur de signal d'alimentation électrique qui passe automatiquement en mode veille si aucun signal n'est capté pendant 20 minutes (cela se produira uniquement lorsque le paramètre d'alimentation du menu est réglé à Auto Standby « Veille Auto »).

Si la barre de son est utilisée dans un pays autre que celui où elle a été achetée, assurez-vous que l'alimentation CA de ce pays est appropriée avant de raccorder et d'utiliser la barre de son. Si la barre de son est utilisée avec une source d'alimentation CA inappropriée, son rendement peut être grandement diminué et des dommages graves peuvent survenir.

RACCORDEMENT DU SIGNAL

Lorsque vous utilisez la barre de son pour reproduire l'audio, la sortie audio de la télévision doit être désactivée. Certaines télévisions vous permettent d'éteindre l'enceinte interne en passant par le système de menu de la télévision. Pour d'autres modèles de télévision, vous devez régler le volume de la télévision à zéro ou à « sourdine » (mute).

De plus, si vous connectez la sortie audio de votre télévision à l'aide d'une connexion HDMI, Optique numérique ou Analogique gauche/droite (RCA), votre télévision pourrait nécessiter l'activation de la sortie et sa configuration pour un son ambiophonique 5.1. Veuillez consulter le manuel de votre télévision.

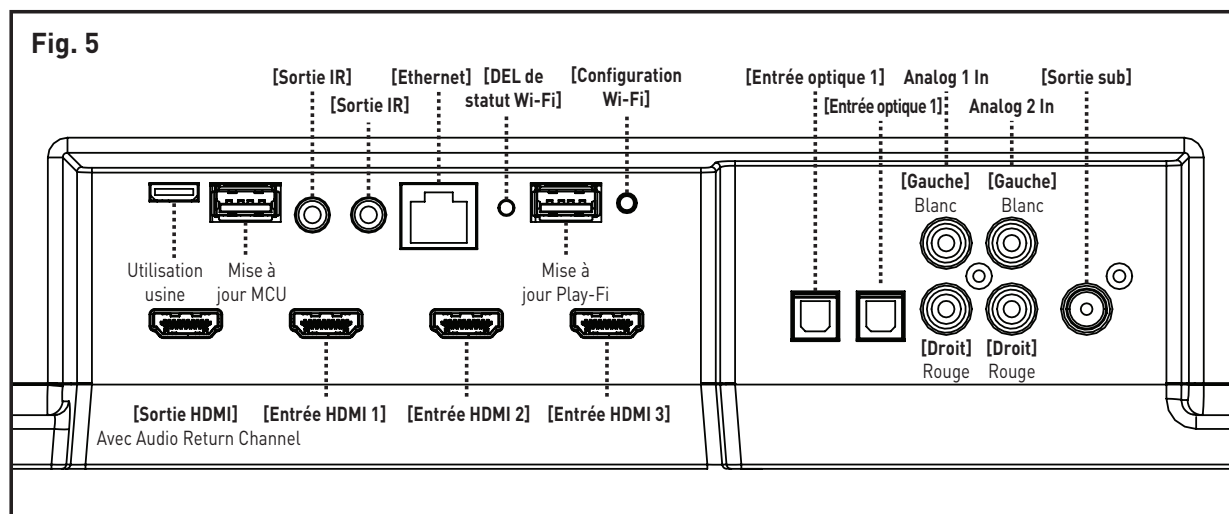
Les raccordements sont effectués dans la section entrée de signal située sur le panneau électronique arrière de la barre de son. Votre barre de son comporte les entrées suivantes :

- 3 x entrées HDMI (audio et vidéo)
- 2 x entrées optiques numériques (audio seulement)
- 2 x entrées analogiques gauche/droite (Left/Right) RCA (audio uniquement)

Veuillez noter : si votre barre de son est utilisée dans une installation sur un mur, il est conseillé d'utiliser les adaptateurs RCA à 90°, les adaptateurs HDMI à 90°, et/ou les câbles HDMI profil bas lorsque vous effectuez les raccords de signal.

Lorsque vous raccordez votre système, de nombreuses configurations sont possibles, et ces méthodes varieront en fonction des préférences de l'utilisateur.

Certains utilisateurs choisiront d'acheminer toutes les sources (comme lecteur DVD, boîte de câble, console de jeu, lecteur média, etc.) à leur télévision par l'entremise d'une connexion HDMI, optique



numérique ou analogique gauche/droite (RCA) et utiliseront leur télévision pour basculer entre les sources vidéo/audio. L'avantage de cette méthode de connexion est qu'un seul câble audio (soit un câble HDMI, optique numérique ou analogique gauche/droite (RCA)) doit être raccordé entre la télévision et la barre de son – et qu'en changeant l'entrée sur votre télévision, vous changerez le signal audio envoyé à la barre de son (sans avoir à changer le paramètre d'entrée sur la barre de son elle-même).

Veillez noter : de nombreuses télévisions ne peuvent pas transmettre les signaux audio encodés à canaux multiples et sous-mélangeront ces signaux en un mélange stéréo à deux canaux avant de l'envoyer à la sortie HDMI, sortie optique numérique, et sortie RCA de la télévision.

La plupart des utilisateurs souhaiteront passer les câbles directement des composantes sources à la barre de son et passer un câble HDMI de la barre de son à la télévision, afin de transmettre le signal vidéo. Cela permet à la barre de son de recevoir le matériel encodé à canaux multiples.

Selon le nombre de sources, la télévision peut être utilisée pour basculer de certaines sources tandis que les appareils sources principaux peuvent être directement raccordés à la barre de son pour un son à canaux multiples garanti. Si vous utilisez votre télévision comme source, choisissez l'entrée HDMI ARC de la barre de son pour entendre tous les sons qui proviennent de votre télévision. Veuillez noter : ce ne sont pas toutes les télévisions qui sont dotées de la technologie HDMI Audio Return Channel.

Voici quelques points importants à ne pas oublier lorsque vous raccordez votre barre de son :

- Les connexions HDMI et optiques numériques offrent la meilleure fidélité audio lorsque vous raccordez la barre de son.
- Si votre barre de son ne produit pas de son ou de son ambiophonique à partir de votre lecteur Blu-ray, lecteur DVD, ou autre source audio à canaux multiples, vous pourriez devoir régler la sortie audio numérique du lecteur à « Bitstream » (également appelé « Raw », « Direct Digital », ou « High Bit Rate »). Si « PCM » est choisi, vous perdrez le son à canaux multiples encodé. Certains lecteurs nécessitent seulement que vous éteigniez le PCM pour configurer le son à canaux multiples encodé. Veuillez consulter le manuel du lecteur.
- Dans une configuration où le HDMI est utilisé pour raccorder la ou les composantes sources audio/vidéo directement à la télévision, vous devrez probablement passer un autre câble HDMI ou optique numérique de la composante source à la barre de son. Cette connexion supplémentaire permettra au son encodé à canaux multiples d'atteindre la barre de son. De nombreuses télévisions qui reçoivent le matériel audio/vidéo source par HDMI ne passent pas l'encodage à canaux multiples lorsque l'audio est repassé par les sorties optiques numériques ou analogiques gauche/droite (RCA) des télévisions. Souvent, de nombreuses télévisions passent plutôt un mélange à 2 canaux du son, en enlevant les canaux central, ambiophonique et de sous-graves du mélange. Cela n'est pas vrai pour toutes les télévisions, mais de nombreux modèles fonctionnent de cette façon. L'utilisation d'une connexion HDMI entre la télévision et la barre de son maximisera le potentiel d'un passage réussi du signal audio encodé à canaux multiples de la télévision à la barre de son.
- Les sources audio uniquement qui offrent seulement une sortie vidéo (comme les stations de lecteur média portable ou les lecteurs CD) se raccordent souvent à la barre de son par l'entremise de l'entrée analogique.

CONNEXION RÉSEAU

Pour lire l'audio en continu vers votre barre de son par Play-Fi, AirPlay ou Ethernet, une connexion à votre réseau doit être établie à l'aide du Wi-Fi ou de l'Ethernet. Consultez la section Play-Fi pour obtenir des détails sur la configuration d'une connexion à votre réseau.

RACCORDEMENT D'UN CAISSON DE SOUS-GRAVES

Vous pouvez utiliser un caisson de sous-graves distinct pour reproduire l'information du canal LFE (low frequency effects) des enregistrements à canaux multiples ou pour renforcer le rendement des graves dans les enregistrements stéréo. Un caisson de sous-graves de cinéma maison peut être raccordé par l'entremise de la connexion RCA « LFE Out » de la barre de son. Nous recommandons, bien entendu, d'utiliser un superbe caisson de sous-graves Paradigm.

De plus, cette barre de son intègre un transmetteur sans fil intégré de caisson de sous-graves et comprend un récepteur sans fil de caisson de sous-graves pour simplifier la connexion et le positionnement d'un caisson de sous-graves dans la pièce.

Aucun caisson de sous graves

Pour les systèmes qui n'utilisent pas de caisson de sous-graves distinct, utilisez le système de menu de la barre de son et choisissez « Subwoofer > No Sub » (caisson de sous-graves > pas de caisson). Cela règle la barre de son pour qu'elle reproduise la plage de fréquences complète lorsqu'elle lit le contenu.

Raccordement câblé à un caisson de sous-graves

À l'aide d'un câble de style RCA de qualité conçu pour le raccordement du caisson de sous-graves, raccordez la sortie « Sub Out » de la barre de son à l'entrée « LFE In/Sub In » du caisson de sous-graves.

Utilisez le système de menu de la barre de son et choisissez « Subwoofer > Wired Sub » (Caisson de sous-graves > caisson câblé).

Consultez le manuel du caisson de sous-graves pour savoir comment régler le niveau des sous-graves et les commandes de phase afin d'obtenir une bonne intégration avec la barre de son. Le filtre passif (crossover) du caisson de sous-graves doit être réglé à « bypass », « LFE ». Pour les caissons de sous-graves qui n'ont pas de réglage de filtre passif « bypass » ou « LFE », nous recommandons de régler le filtre passif au niveau le plus élevé.

Raccordement sans fil à un caisson de sous-graves

Utilisez le système de menu de la barre de son et choisissez « Subwoofer > Wireless Sub > Sync Subwoofer' » (Caisson de sous-graves > caisson sans fil > caisson de sous-graves sync). La barre de son affichera « Push and Hold Button » (Appuyez et maintenez enfoncé le bouton).

Appuyez et maintenez enfoncé le bouton de synchronisation du récepteur sans fil du caisson de sous-graves. La connexion est réussie lorsque la lumière de statut passe à la couleur unie et que la barre de son répond par « Synced » (Synchronisée).

Veillez noter : Si un lien n'est pas établi, la DEL du récepteur sans fil commencera à clignoter lentement et la barre de son affichera « Failed » (Échec). Allumez et éteignez la barre de son, débranchez le récepteur sans fil et rebranchez-le, puis répétez la synchronisation.

Consultez le manuel du caisson de sous-graves pour savoir comment régler le niveau du caisson et les commandes de phase. Le filtre passif (crossover) du caisson de sous-graves doit être réglé à « bypass » ou « LFE ». Pour les caissons de sous-graves qui n'ont pas de réglage de filtre passif « bypass » ou « LFE », nous recommandons de régler le filtre passif au niveau le plus élevé.

Veillez noter : Le transmetteur sans fil du caisson de sous-graves intégré dans votre produit Paradigm PW SOUNDBAR n'est pas compatible avec les

caissons de sous-graves Paradigm dotés de la technologie de transmetteur sans fil intégré de caisson de sous-graves. Vous pouvez tout de même utiliser la fonction sans fil en connectant le récepteur sans fil de caisson de sous-graves inclus à l'entrée LFE sur votre caisson de sous-graves ou en connectant un transmetteur PT-1 ou PT-2 de Paradigm à la sortie Sub Out de la barre de son.

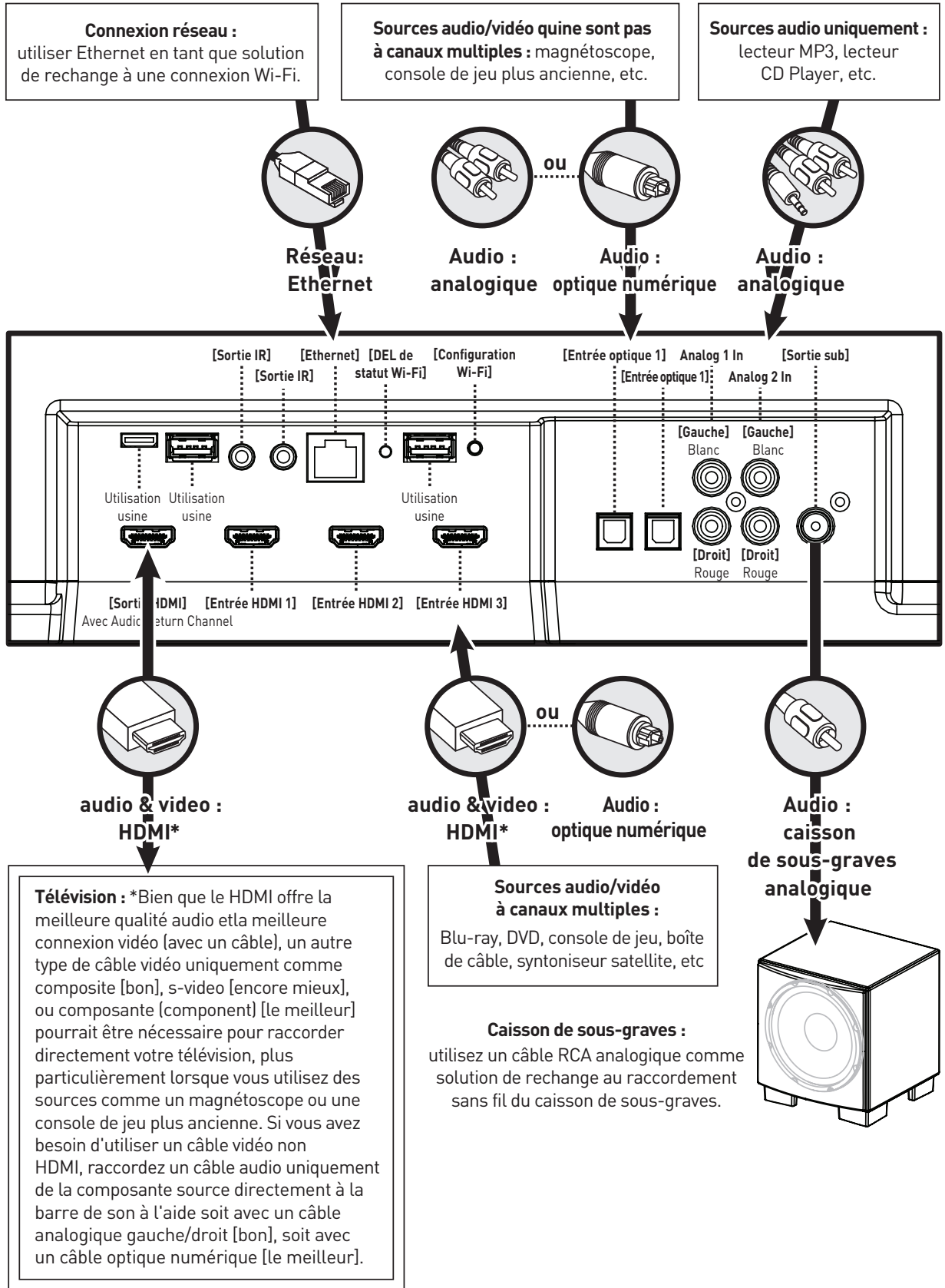
Veillez noter : Si vous décidez de ne plus utiliser le mode sans fil, éteignez le transmetteur sans fil de la barre de son à l'aide du système de menu en choisissant « Subwoofer > Wireless Subwoofer > Turn Wireless Sub Off » (Caisson de sous-graves > Caisson de sous-graves sans fil > Éteindre le caisson sans fil » ou « Subwoofer > No Sub » (Caisson de sous-graves > pas de caisson). Cela éteindra le transmetteur et réglera automatiquement la barre de son pour « aucun caisson de sous-graves ».

MISE EN GARDE! Lors de l'utilisation sans fil, le caisson de sous-graves peut être assujéti à l'interférence RF dans la largeur de bande 2.4GHz provenant des fours à micro-ondes et des appareils sans fil comme les systèmes Wi-Fi, les consoles de jeu vidéo, les téléphones sans fil, les appareils Bluetooth et les moniteurs pour bébé. Généralement, ce problème (son intermittent, craquements dans le son) se règle facilement en séparant physiquement les appareils problématiques – une distance aussi petite que deux pieds réglera souvent le problème d'interférence. Dans le cas des fours à micro-ondes, l'interférence surviendra seulement lorsque le four est utilisé.

SORTIES IR

Ces prises acceptent les émetteurs IR avec des connecteurs monostyles de 3,5 mm. Un émetteur IR est inclus avec la barre de son. Branchez l'émetteur IR dans l'une des prises de sortie IR de la barre de son et placez l'autre extrémité de l'émetteur IR sur le capteur IR d'un autre appareil. L'utilisation d'un émetteur IR permet à la barre de son de transmettre les signaux IR provenant d'une télécommande à un appareil captif, ce qui permet de commander le matériel dans des emplacements qu'une télécommande ne pourrait normalement pas atteindre.

Fig. 6



PANNEAU DE COMMANDE

Votre barre de son comporte sept boutons qui commandent les fonctions suivantes :

POWER/STANBY (ALIMENTATION/VEILLE) : Allume et éteint la barre de son.

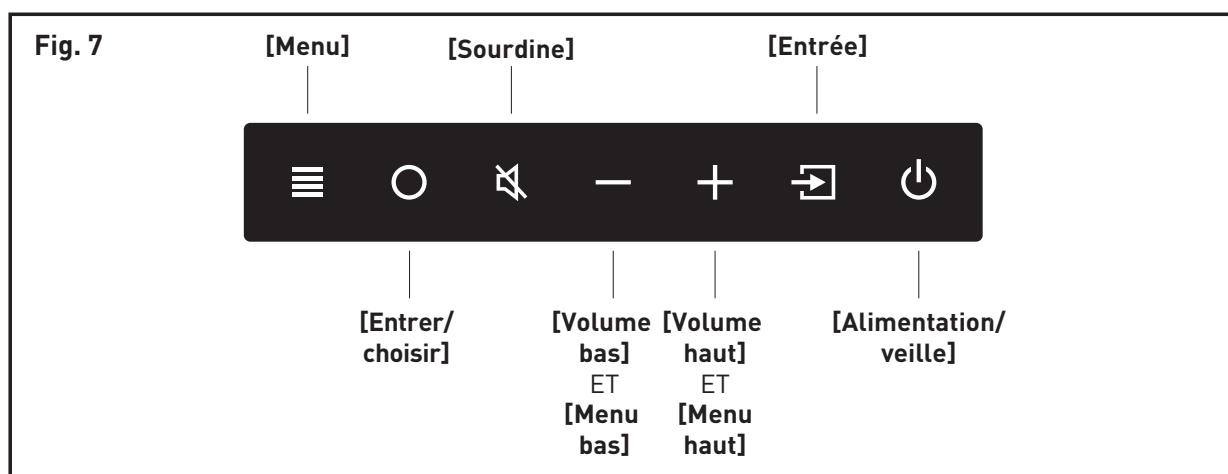
INPUT (ENTRÉE) : Navigue dans les entrées. L'ordre des entrées est : HDMI 1 > HDMI 2 > HDMI 3 > HDMI ARC > Bluetooth > Optique 1 > Optique 2 > Analogique 1 > Analogique 2.

VOL+/VOL- : Ajuste le volume. Lorsque le menu est activé, les boutons de volume fonctionneront comme des boutons haut/bas.

MUTE (SOURDINE) : Met la barre de son en sourdine. Lorsque le son est en sourdine, la barre de son indiquera « MUTE ». En appuyant sur ce bouton une deuxième fois ou en appuyant sur le bouton du volume, le réglage du volume précédent sera restauré.

ENTER/SELECT (ENTRER/CHOISIR) : Lorsque le menu est activé, ce bouton vous permet de choisir un article du menu.

MENU : Active le menu de configuration. Lorsque le menu est activé, le bouton Menu vous ramène un niveau en arrière; les boutons de volume fonctionneront comme haut/bas, et le bouton Enter/Select vous permettra de choisir un article du menu. Quittez le menu en appuyant sur le bouton Menu.



TÉLÉCOMMANDE

Votre barre de son commande les fonctions suivantes :

POWER (ALIMENTATION) : Allume et éteint la barre de son.

MENU : Entrée et sortie dans le menu dans la barre de son.

MUTE (SOURDINE) : Met la barre de son en sourdine. Lorsque le son est en sourdine, la barre de son indiquera « MUTE ». En appuyant sur ce bouton une

deuxième fois ou en appuyant sur le bouton du volume, le réglage du volume précédent sera restauré.

VOL+/VOL- : Règle le niveau du volume.

BASS MODE – NIGHT (MODE GRAVES – NUIT) : Diminue les graves et compriment la gamme dynamique.

BASS MODE – BASS+ (MODE BASS – BASS +) : augmente la sortie des graves.

BASS MODE – NORMAL (MODE GRAVES – NORMAL) :

Rétablit les niveaux normaux.

INPUT (ENTRÉE) : Active l'entrée choisie.

CHANGER LA PILE DE LA TÉLÉCOMMANDE

La télécommande de votre enceinte fonctionne avec deux piles de type AAA. Vous pouvez accéder au compartiment à piles en utilisant un tournevis Phillips pour enlever la vis située au bas de la télécommande.

Mise en garde! Risque d'explosion si la pile n'est pas bien remplacée. Remplacez-la uniquement avec le même type de pile ou un type équivalent.



PROGRAMMATION D'UNE DEUXIÈME TÉLÉCOMMANDE

La barre de son peut être programmée pour répondre à une deuxième télécommande. Voir la section « Système de menu » de ce manuel pour obtenir les instructions de programmation.

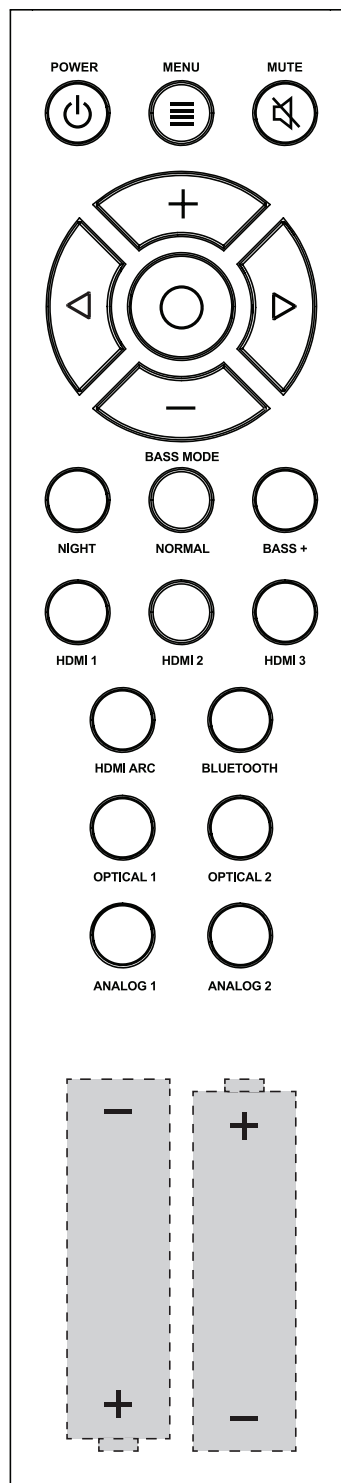
Veillez noter : Il se peut que la barre de son ne puisse pas apprendre ou apprendre correctement certains types de télécommande. En raison du nombre de télécommandes disponibles, il est impossible de prédire quelles télécommandes fonctionneront ou ne fonctionneront pas.

Veillez noter : lorsque vous programmez une deuxième télécommande, vous remarquerez qu'elle n'a probablement pas les boutons qui correspondent directement aux commandes de la barre de son. Ce ne sont pas toutes les commandes de la barre de son qui doivent être programmées. Certaines télécommandes offrent des boutons « fonction » (F1, F2, etc.) qui peuvent être utilisés pour programmer des commandes uniques à la barre de son comme « NITE.MD » ou « OPTIC ».

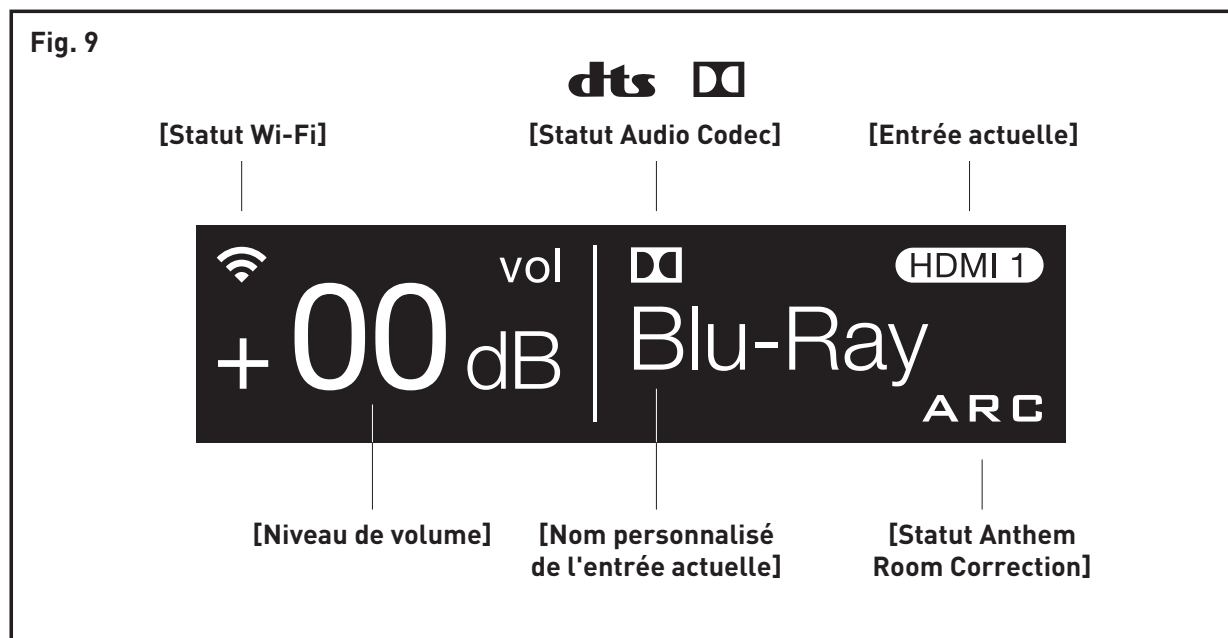
Veillez noter : Certaines télécommandes offrent des boutons « Power on » (Allumer) et « Power off »

(Éteindre) distincts. D'autres offrent un seul bouton pour basculer de Allumer à Éteindre. La fonction apprentissage (learning) de la barre de son vous permet de programmer en fonction de ces deux scénarios.

Fig. 8



AFFICHAGE



Votre barre de son affiche les renseignements suivants :

Statut Wi-Fi : L'icône Wi-Fi affiche lorsqu'une connexion Wi-Fi est établie. Si la barre de son est configurée pour se connecter à un réseau Wi-Fi, mais qu'elle est incapable de se connecter, l'icône changera pour un point d'exclamation.

Veillez noter : La DEL de statut Wi-Fi sur le panneau de connexion de la barre de son fournit une rétroaction plus détaillée.

Pour obtenir des renseignements sur les modes de configuration Wi-Fi et des instructions de configuration détaillés, veuillez consulter la section « Connexion DTS Play-Fi et réseau » de ce manuel.

Statut Audio Codec : Si un signal audio avec encodage de son ambiophonique est détecté, cette icône indiquera Dolby^{MD} Digital ou DTS Digital Surround^{MC}.

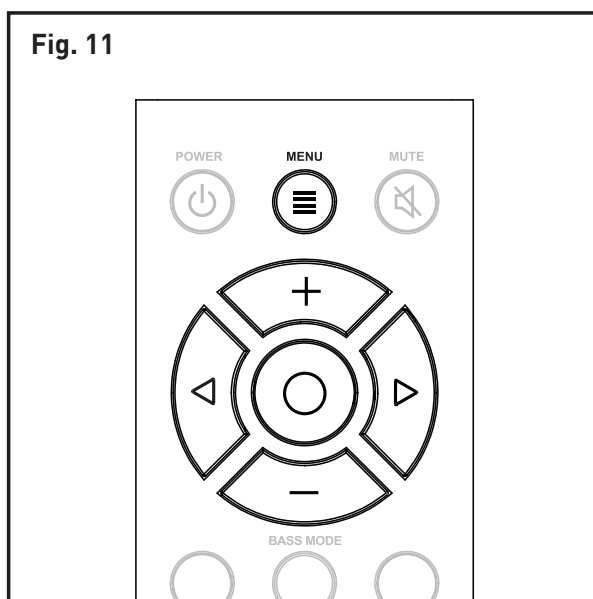
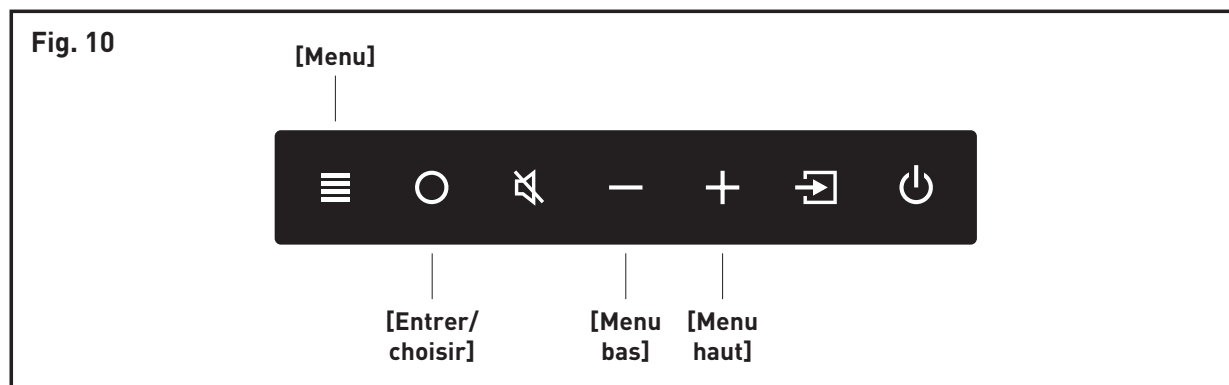
Niveau de volume : Affiche le niveau de volume actuel.

Entrée actuelle : Cette icône indique l'entrée qui est actuellement active en utilisant le nom standard de l'entrée. Ce champ n'est pas personnalisable.

Nom personnalisé de l'entrée actuelle : Ceci indique l'entrée qui est actuellement active en utilisant le nom défini par l'utilisateur.

Statut Anthem Room Correction : Cette icône indique qu'Anthem Room Correction est actif. Cette icône ne s'affichera pas si Anthem Room Correction a été éteint manuellement ou si une courbe d'ajustement n'a pas été téléchargée en amont dans la barre de son. Pour obtenir des renseignements sur la configuration de l'ARC, veuillez consulter la section « (ARC^{MC}) Anthem Room Correction » de ce manuel.

LE SYSTÈME DE MENU



ENTRER ET SORTIR DU MENU

Pour accéder au menu à partir de la télécommande, appuyez sur le bouton « Menu ». Pour sortir du menu à partir de la télécommande, appuyez sur le bouton « Menu » à nouveau.

Pour accéder au menu à partir du panneau de commande, appuyez sur le bouton « Menu ». Pour sortir, appuyez à nouveau sur le bouton Menu.

Le menu se ferme automatiquement après 30 secondes.

NAVIGUER DANS LE MENU**

On navigue dans le menu à l'aide d'un système de navigation « haut/bas/gauche/droite ». Les directions Haut

et Bas sont utilisées pour naviguer dans les options du menu et du sous-menu. Le bouton de Droite ou Entrer/choisir est utilisé pour accéder à un sous-menu ou pour choisir une option. Avec la télécommande, le bouton de Gauche est utilisé pour sortir d'un sous-menu et revenir d'un niveau.

OPTION DU MENU : INSTALLATION

Installation : Entrez dans le sous-menu en appuyant sur le bouton enter (entrer). Les paramètres de ce menu rajusteront l'égalisation de la barre de son et la voix pour un rendement optimal en cas d'installation sur un mur ou sur une étagère.

Installation > Shelf Mount (Installation > Montage sur une étagère) : Cette option configure la sortie audio de la barre de son pour le meilleur son possible dans le cas d'une installation sur une étagère. La direction de l'écran d'affichage est également ajustée. Activez-la en appuyant sur le bouton enter (entrer) et la barre de son répondra par « Saved » (Sauvegardé).

Installation > Wall Mount (Installation > Montage sur un mur) : Cette option configure la sortie audio de la barre de son pour le meilleur son possible dans le cas d'une installation sur un mur. La direction de l'écran d'affichage est également ajustée. Activez-la en appuyant sur le bouton enter (entrer) et la barre de son répondra par « Saved » (Sauvegardé).

OPTION DU MENU : CAISSON DE SOUS-GRAVES

Subwoofer (Caisson de sous-graves) : Entrez dans le sous-menu en appuyant sur le bouton enter (entrer). Ici, vous pouvez configurer l'intégration d'un caisson de sous-graves externe. *Veillez noter* : lorsque vous intégrez un caisson de sous-graves externe, vous devez choisir entre un raccordement câblé ou sans fil. La barre de son ne peut pas utiliser les deux raccordements simultanément. La barre de son peut se connecter à un seul caisson de sous-graves sans fil. Toutefois, il est possible de raccorder plusieurs cais-

sons de sous-graves câblés à l'aide d'un séparateur en « Y » fixé au câble du caisson de sous-graves, ou si votre caisson de sous-graves offre une sortie conçue pour brancher des caissons multiples en série.

Subwoofer > No Sub (Caisson de sous-graves > aucun caisson) : Cette option configure la barre de son pour gérer toute l'information sur les graves et ne transmettra pas l'information par les connexions de caissons câblés ou sans fil. Activez-la en appuyant sur le bouton enter (entrer) et la barre de son répondra par « Saved » (Sauvegardé).

UN APERÇU DE LA STRUCTURE DU MENU

Installation [choisit l'emplacement de l'installation]

- ↳ *† Shelf Mount [montage sur une étagère, choisit lorsque monté sur une surface plane]
- ↳ Wall Mount [montage sur un mur, choisit lorsque monté sur un mur]
 - ↳ Above TV [choisit lorsque la barre de son est montée au-dessus de la TV]
 - ↳ Below TV [choisit lorsque la barre de son est montée sous la TV]

Subwoofer [caisson de sous-graves, choisit la configuration du caisson]

- ↳ *† No Sub [aucun caisson, choisit lorsque vous n'utilisez pas de caisson]
- ↳ Wired Sub [caisson câblé, choisit lorsque vous raccordez le caisson par un câble]
- ↳ Wireless Sub [caisson sans fil, configure un caisson de sous-graves sans fil]
 - ↳ Sync Subwoofer [récepteur de caisson de sous-graves sans fil sync]
 - ↳ Turn Wireless Sub Off [éteindre caisson sans fil, désactive le transmetteur du caisson sans fil]

Bass Level [niveau de basse, ajuste le niveau de basse par paliers de 2dB]

- ↳ +10dB through -10dB [*† défaut = 0dB]

Surrounds [ambiophonique, configure les options ambiophoniques pour les sources à 5.1 canaux]

- ↳ Off [Éteindre, éteint les ambiophoniques simulés]
- ↳ * On [Allumer, ambiophoniques simulés au niveau normal]
- ↳ † +6dB [augmenter le niveau d'Ambiophoniques simulés de +6dB]

Stereo Mode [mode stéréo, configure les options pour les sources stéréo à 2 canaux]

- ↳ Wide [large, crée une image stéréo plus large]
- ↳ † Voice+ [voix plus, simule un canal central pour les sources stéréo]
- ↳ * Normal [normal, utilise le signal stéréo d'origine]

Bass Mode [Mode graves, choisit le mode d'écoute EQ pour les graves]

- ↳ † Bass+ [mode bass+, règle le mode EQ pour plus de graves]
- ↳ * Normal [normal, retourne l'EQ des grave aux niveaux normaux]
- ↳ Night [nuit, règle le mode EQ des graves pour des graves diminuées]

Display [affichage, choisit le mode d'affichage]

- ↳ † Bright [brillant, utilise une brillance totale en tout temps]
- ↳ Dim [tamisé, utilise un affichage tamisé en tout temps]
- ↳ * Auto Bright [brillance auto, pleine brillance, l'affichage s'éteint automatiquement]
- ↳ Auto Dim [tamisé auto, affichage tamisé, l'affichage s'éteint automatiquement]

Touch Display [affichage tactile] [choisit le mode d'affichage tactile]

- ↳ Off [éteint la DEL]
- ↳ Bright [utilise un affichage brillant en tout temps]
- ↳ Dim [utilise un affichage tamisé en tout temps]
- ↳ * Auto Bright [brillance auto, pleine brillance, l'affichage s'éteint automatiquement]
- ↳ Auto Dim [affichage tamisé, l'affichage s'éteint automatiquement]

HDMI [configure les paramètres HDMI]

- ↳ HDMI ARC [configure le HDMI ARC]
 - ↳ *† Off [éteint, éteint le HDMI Audio Return Channel]
 - ↳ On [allumé, allume le HDMI Audio Return Channel]
- ↳ HDMI CEC [configure le HDMI CEC]

- ↳ *† Off [éteint, éteint le HDMI CEC]
- ↳ On [allumé, allume le HDMI CEC]
- ↳ HDMI bypass [contournement HDMI, configure les paramètres de contournement de Standby HDMI]
 - ↳ *† Off [éteint, éteint le contournement Standby HDMI]
 - ↳ Last Used [dernière utilisation, contournement Standby HDMI utilise le dernier HDMI utilisé]
 - ↳ HDMI 1 [contournement Standby HDMI utilise HDMI 1]
 - ↳ HDMI 2 [contournement Standby HDMI utilise HDMI 2]
 - ↳ HDMI 3 [contournement Standby HDMI utilise HDMI 3]
- ↳ Lip Sync [synchro labiale, ajuste le délai de synchro labiale par paliers de 5 ms]
 - ↳ HDMI ARC [ajuste la synchro labiale pour l'entrée HDMI ARC]
 - ↳ 0ms through 300ms [*† défaut = 0]
 - ↳ HDMI 1 [ajuste la synchro labiale pour l'entrée HDMI 1]
 - ↳ 0ms through 300ms [*† défaut = 0]
 - ↳ HDMI 2 [ajuste la synchro labiale pour l'entrée HDMI 2]
 - ↳ 0ms through 300ms [*† défaut = 0]
 - ↳ HDMI 3 [ajuste la synchro labiale pour l'entrée HDMI 3]
 - ↳ 0ms through 300ms [*† défaut = 0]

ARC [configure l'Anthem Room Correction]

- ↳ *† On [allumé, allume l'Anthem Room Correction, si chargé]
- ↳ Off [éteint, éteint l'Anthem Room Correction]

Power Settings [paramètres d'alimentation, configure les paramètres d'alimentation]

- ↳ Power Standby [veille alimentation, configure le comportement de veille]
 - ↳ *† Auto Standby [veille auto, la barre de son s'allume et s'éteint au besoin]
 - ↳ Always On [toujours allumée, la barre de son est toujours allumée]
- ↳ Power-On Volume [volume allumé, règle le volume par défaut pour appareil allumé]
 - ↳ Set [régler]
 - ↳ Max à -90dB [*† défaut = -35dB]
 - ↳ Last Used [dernière utilisation, le volume pour appareil allumé est égal au niveau précédent]
- ↳ IP Control [configure le contrôle de l'IP]
 - ↳ † Off [éteint, éteint le contrôle de l'IP]
 - ↳ * On [allumé, allume le contrôle de l'IP]
- ↳ Standby IP [configure la veille pour le contrôle de l'IP]
 - ↳ *† Off [éteint, éteint la veille du contrôle de l'IP]
 - ↳ On [allumé, allume la veille du contrôle de l'IP, désactivé si le contrôle de l'IP est éteint]

Wireless Settings [configuration sans fil]

- ↳ Initialize Wi-Fi [initialise le Wi-Fi]
- ↳ Bluetooth Pairing [jumelage Bluetooth]

UN APERÇU DE LA STRUCTURE DU MENU (SUITE)

Learn Remote [apprendre les codes de la télécommande pour une deuxième télécommande]

- Volume +
- Volume -
- Mute [sourdine]
- Next Input [entrée suivante]
- Previous Input [entrée précédente]
- Up [haut]
- Down [bas]
- Left [gauche]
- Right [droite]
- Enter [entrer]
- Bass Mode: Night [mode graves : nuit]
- Bass Mode: Normal [mode graves : normal]
- Bass Mode: Bass+ [mode graves : graves +]
- Stereo Mode: Wide [mode stéréo : large]
- Stereo Mode, Voice+ [mode stéréo : voix +]
- Stereo Mode: Normal [mode stéréo : normal]
- Power Toggle [basculer alimentation]
- Power On [Allumé]
- Power Off [Éteint]
- Menu
- Input: HDMI 1 [entrée : HDMI 1]
- Input: HDMI 2 [entrée : HDMI 2]
- Input: HDMI 3 [entrée : HDMI 3]
- Input: HDMI ARC [entrée : HDMI ARC]
- Input: Bluetooth
- Input: Optical 1 [entrée : optique 1]
- Input: Optical 2 [régler : optique 2]
- Input: Analog 1 [entrée : analogique 1]
- Input: Analog 2 [entrée : analogique 2]
- ARC On [ARC allumé]
- ARC Off [ARC éteindre]
- Reset Remote [réinitialiser la télécommande, efface les codes pour la 2e télécommande]
 - No [non, sort sans effacer les codes pour la 2e télécommande]
 - Yes [oui, efface les codes pour la 2e télécommande]

Source Name [nom de la source, attribue des noms personnalisés aux entrées]

- HDMI 1
- HDMI 2
- HDMI 3
- HDMI ARC

- Optical 1 [optique 1]
- Optical 2 [optique 2]
- Analog 1 [analogique 1]
- Analog 2 [analogique 2]

Service [commandes avancées]

- Firmware [micrologiciel, affiche les versions du micrologiciel]
 - MCU [affiche la version du micrologiciel de la barre de son]
 - DSP [affiche la version du micrologiciel DSP]
 - IA3S4 [affiche la version du micrologiciel du caisson de sous-graves sans fil]
 - TC390 [affiche la version du micrologiciel du bouton tactile]
 - IP Address [affiche l'adresse IP dynamique de la barre de son]
 - MAC MCU [affiche l'adresse MAC du MCU de la barre de son]
 - MAC LAN [affiche l'adresse MAC du LAN de la barre de son]
 - MAC Wi-Fi [affiche l'adresse MAC du sans fil de la barre de son]
 - CAP INFO [[affiche la version du matériel et la version du module DTS Play-Fi]
- Factory Reset [réinitialisation usine, réinitialise la barre de son aux paramètres d'usine d'origine]
 - At Home [à la maison, paramètres par défaut de l'usine pour utilisation à la maison]
 - No [non, sort sans réinitialiser]
 - Yes [oui, réinitialise aux paramètres de l'usine]
 - In Store [en magasin, paramètres par défaut de l'usine pour utilisation en magasin]
 - No [non, sort sans réinitialiser]
 - Yes [oui, réinitialise aux paramètres de l'usine]

USB Upgrade [met à jour le micrologiciel]

- Upgrade DSP [met à jour le micrologiciel DSP]
- Upgrade TC390 [met à jour le micrologiciel du bouton tactile]
- Upgrade MCU [met à jour le micrologiciel MCU]
- Upgrade ALL [effectue toutes les mises à jour USB]

*MAISON : Paramètre d'usine par défaut, utilisation à la maison.

† MAGASIN : Paramètre d'usine par défaut, utilisation en magasin.

Subwoofer > Wired Sub (Caisson de sous-graves > caisson câblé) : Cette option configure la barre de son pour qu'elle utilise un caisson de sous-graves externe raccordé par un câble à la connexion Sub Out RCA de la barre de son. Activez-la en appuyant sur le bouton enter (entrer) et la barre de son répondra par « Saved » (Sauvegardé). Avec cette option, le transmetteur sans fil du caisson est éteint.

Consultez le manuel du caisson de sous-graves pour savoir comment régler le niveau des sous-graves et les commandes de phase afin d'obtenir une bonne intégration avec la barre de son. Le filtre passif (crossover) du caisson de sous-graves doit être réglé à « bypass » ou « LFE ». Pour les caissons de sous-graves qui n'ont pas de réglage de filtre passif « bypass » ou « LFE », nous recommandons de régler le filtre passif au niveau le plus élevé.

Subwoofer > Wireless Sub (Caisson de sous-graves > caisson sans fil) : Entrez dans le sous-menu en appuyant sur le bouton enter (entrer). Ici, vous pouvez synchroniser la barre de son au récepteur sans fil de caisson de sous-graves (inclus avec la barre de son).

Consultez le manuel du caisson de sous-graves pour savoir comment régler le niveau des sous-graves et les commandes de phase afin d'obtenir une bonne intégration avec la barre de son. Le filtre passif (crossover) du caisson de sous-graves doit être réglé à « bypass » ou « LFE ». Pour les caissons de sous-graves qui n'ont pas de réglage de filtre passif « bypass » ou « LFE », nous recommandons de régler le filtre passif au niveau le plus élevé.

Subwoofer > Wireless Subwoofer > Sync Subwoofer (Caisson de sous-graves > caisson de sous-graves sans fil > caisson de sous-graves synchronisé) : Cette option connecte la barre de son au récepteur sans fil du caisson de sous-graves. Commencez la synchronisation en appuyant sur le bouton enter (entrée). La barre de son affichera « Push and Hold Button » (Appuyez et maintenez enfoncé le bouton).

Appuyez et maintenez enfoncé le bouton de synchronisation du récepteur sans fil du caisson de sous-graves. La connexion est réussie lorsque la lumière de statut passe à la couleur unie et que la barre de son répond par « Synced » (Synchronisée).

Subwoofer > Wireless Sub > Turn Wireless Sub Off (Caisson de sous-graves > caisson sans fil > éteindre caisson sans fil) : Cette option configure la barre de son pour traiter toutes les graves et lorsqu'elle est choisie, elle ne transmettra pas d'information par les connexions de caisson câblé ou de caisson sans fil. Activez-la en appuyant sur le bouton enter (entrée) et la barre de son répondra par « OFF ». L'activation de cette option permet d'exécuter la même fonction que « Subwoofer > No Sub ».

OPTION DU MENU : BASS LEVEL (NIVEAU DES GRAVES)

Bass Level (niveau des graves) : Entrez dans le sous-menu en appuyant sur le bouton enter (entrer). Ici, vous pouvez configurer les graves de ± 10 dB par paliers de 2dB.

Bass Level (niveau des graves) > -10dB à +10dB : À l'aide des boutons directionnels haut/bas, choisissez le niveau de graves approprié (de -10dB à +10dB). La sortie des graves sera automatiquement réglée pour correspondre à la valeur affichée.

OPTION DU MENU : SURROUNDS (AMBIOPHONIQUES)

Surrounds (Ambiophoniques) : Entrez dans le sous-menu en appuyant sur le bouton enter (entrer). Ce menu vous permet d'allumer/éteindre les canaux ambiophoniques simulés lorsque la barre de son détecte une source à canaux multiples.

Surrounds > Off (Ambiophoniques > éteint) : Cette option configure la barre de son (quand elle détecte un contenu encodé de 5.1 canaux) pour sous-mélanger la sortie de 3.1 canaux (canaux gauche/centre/droit + caisson de sous-graves) et n'utilise pas les canaux de son ambiophonique simulé. Tout le contenu conçu pour les canaux ambiophoniques est transmis par les canaux gauche/centre/droit. Activez-la en appuyant sur le bouton enter (entrer) et la barre de son répondra par « Saved » (Sauvegardé).

Surrounds > On (Ambiophoniques > allumé) : Cette option configure la barre de son (quand elle détecte un contenu encodé de canal 5.1) pour reproduire entièrement tous les canaux d'information 5.1, y compris les canaux de son ambiophonique simulé. Activez-la en appuyant sur le bouton enter (entrer) et la barre de son répondra par « Saved » (Sauvegardé).

Surrounds (ambiophoniques) > +6dB : Cette option configure la barre de son (quand elle détecte un contenu encodé de 5.1 canaux) pour reproduire entièrement tous les canaux d'information 5.1, y compris les canaux de son ambiophonique simulé avec une sortie supplémentaire de 6 dB. Activez-la en appuyant sur le bouton enter (entrer) et la barre de son répondra par « Saved » (Sauvegardé).

OPTION DU MENU : STEREO MODE (MODE STÉRÉO)

Stereo Mode (mode stéréo) : Entrez dans le sous-menu en appuyant sur le bouton enter (entrer). Ici, vous pouvez établir comment la barre de son reproduit l'audio des sources à 2 canaux (stéréo).

Stereo Mode > Wide (Mode stéréo > large) : Cette option configure la barre de son pour créer une image stéréo plus large. Activez-la en appuyant sur le bouton enter (entrer) et la barre de son répondra par « Saved » (Sauvegardé).

Stereo Mode > Voice+ (Mode stéréo > Voix+) : Cette option configure la barre de son pour reproduire les canaux de gauche et de droit avec un canal central simulé. Activez-la en appuyant sur le bouton enter (entrer) et la barre de son répondra par « Saved » (Sauvegardé).

Stereo Mode > Normal (Mode stéréo > Normal) :

Cette option configure la barre de son pour reproduire le contenu à l'aide des canaux de gauche et de droite. Activez-la en appuyant sur le bouton enter (entrer) et la barre de son répondra par « Saved » (Sauvegardé).

OPTION DU MENU : BASS MODE (MODE GRAVES)

Bass Mode (Mode graves) : Entrez dans le sous-menu en appuyant sur le bouton enter (entrer). Ici, vous pouvez régler l'égalisation des graves de la barre de son. Ces options peuvent également être activées directement de la télécommande de la barre de son.

Bass Mode – Bass+ (Mode graves – graves +) : Ce mode augmente les graves. Activez-la en appuyant sur le bouton enter (entrer) et la barre de son répondra par « Saved » (Sauvegardé).

Bass Mode – Normal (Mode graves – normal) :

Ce mode rétablit les niveaux normaux des graves. Activez-la en appuyant sur le bouton enter (entrer) et la barre de son répondra par « Saved » (Sauvegardé).

Bass Mode – Night (Mode graves – nuit) : Ce mode diminue les graves. Activez-la en appuyant sur le bouton enter (entrer) et la barre de son répondra par « Saved » (Sauvegardé).

OPTION DU MENU : DISPLAY (AFFICHAGE)

Display (Affichage) : Entrez dans le sous-menu en appuyant sur le bouton enter (entrer). Les paramètres de ce menu vous permettent de régler la brillance de l'affichage, ainsi que de configurer l'affichage pour qu'il s'allume et s'éteigne automatiquement.

Display > Bright (Affichage > brillance) : Cette option configure l'affichage de la barre de son pour qu'il soit à pleine brillance lorsque la barre de son est allumée. Activez-la en appuyant sur le bouton enter (entrer) et la barre de son répondra par « Saved » (Sauvegardé).

Display > Dim (Affichage > tamisé) : Cette option configure l'affichage de la barre de son pour qu'il soit à brillance réduite lorsque la barre de son est allumée. Activez-la en appuyant sur le bouton enter (entrer) et la barre de son répondra par « Saved » (Sauvegardé).

Display > Auto Bright (Affichage > brillance auto) : Cette option configure l'affichage de la barre de son pour qu'il soit à pleine brillance lorsqu'un paramètre (comme le volume ou une entrée) est changé. Après quelques secondes, l'affichage s'éteindra. Activez-la en appuyant sur le bouton enter (entrer) et la barre de son répondra par « Saved » (Sauvegardé).

Display > Auto Dim (Affichage > tamisé auto) : Cette option configure l'affichage de la barre de son pour qu'il soit à brillance réduite lorsqu'un paramètre (comme le volume ou une entrée) est changé. Après quelques secondes, l'affichage s'éteindra. Activez-la en appuyant sur le bouton enter (entrer) et la barre de son répondra par « Saved » (Sauvegardé).

OPTION DU MENU : TOUCH DISPLAY (AFFICHAGE TACTILE)

Touch Display (Affichage tactile) : Entrez dans le sous-menu en appuyant sur le bouton enter (entrer). Les paramètres de ce menu vous permettent de régler la brillance de l'affichage tactile, ainsi que de

configurer l'affichage tactile pour qu'il s'allume et s'éteigne automatiquement.

Touch Display > Off (Affichage tactile > éteint) : Cette option configure l'affichage tactile de la barre de son être éteint lorsque le soundbar est sur. Activez-la en appuyant sur le bouton enter (entrer) et la barre de son répondra par « Saved » (Sauvegardé).

Touch Display > Bright (Affichage tactile > brillance) : Cette option configure l'affichage tactile de la barre de son pour qu'il soit à pleine brillance lorsque la barre de son est allumée. Activez-la en appuyant sur le bouton enter (entrer) et la barre de son répondra par « Saved » (Sauvegardé).

Touch Display > Dim (Affichage tactile > tamisé) : Cette option configure l'affichage tactile de la barre de son pour qu'il soit à brillance réduite lorsque la barre de son est allumée. Activez-la en appuyant sur le bouton enter (entrer) et la barre de son répondra par « Saved » (Sauvegardé).

Touch Display > Auto Bright (Affichage tactile > brillance auto) (défaut) : Cette option configure l'affichage tactile de la barre de son pour qu'il soit à pleine brillance lorsqu'un paramètre (comme le volume ou une entrée) est changé. Après quelques secondes, l'affichage tactile s'éteindra. Activez-la en appuyant sur le bouton enter (entrer) et la barre de son répondra par « Saved » (Sauvegardé).

Touch Display > Auto Dim (Affichage tactile > tamisé auto) : Cette option configure l'affichage tactile de la barre de son pour qu'il soit à brillance réduite lorsqu'un paramètre (comme le volume ou une entrée) est changé. Après quelques secondes, l'affichage tactile s'éteindra. Activez-la en appuyant sur le bouton enter (entrer) et la barre de son répondra par « Saved » (Sauvegardé).

OPTION DU MENU : HDMI

HDMI : Entrez dans le sous-menu en appuyant sur le bouton enter (entrer). Ici, vous pouvez ajuster les paramètres liés au HDMI.

HDMI > HDMI ARC : [HDMI Audio Return Channel]

Entrez dans le sous-menu en appuyant sur le bouton enter (entrer). Ici, vous pouvez allumer et éteindre le HDMI Audio Return Channel. Le HDMI ARC vous permet d'utiliser un câble pour passer l'information vidéo de votre barre de son à votre télévision et d'envoyer l'information audio de votre télévision à votre barre de son. Cela est utile si plusieurs sources sont raccordées à votre télévision et à votre barre de son, et que vous souhaitez que votre barre de son lise toujours l'audio.

HDMI > HDMI ARC > Off or On (allumé ou éteint) :

Cette option allume et éteint la fonction HDMI Audio Return Channel. Activez-la en appuyant sur le bouton enter (entrer) et la barre de son répondra par « Saved » [Sauvegardé].

HDMI > HDMI CEC : Entrez dans le sous-menu en appuyant sur le bouton enter (entrer). Ici, vous pouvez allumer et éteindre le HDMI CEC. Le HDMI CEC (Consumer Electronics Control) permet de commander tous les appareils compatibles à l'aide d'une télécommande et d'échanger les commandes à distance par l'entremise de la connexion HDMI.

HDMI > HDMI CEC > Off or On (éteint ou allumé) :

Cette option éteint ou allume la fonction Consumer Electronics Control. Activez-la en appuyant sur le bouton enter (entrer) et la barre de son répondra par « Saved » [Sauvegardé].

HDMI > HDMI Bypass (contournement) : Entrez dans le sous-menu en appuyant sur le bouton enter (entrer). Ici, vous pouvez choisir l'entrée HDMI à utiliser avec le contournement HDMI en veille. Cette fonction permet à la barre de son d'envoyer les signaux audio/vidéo des sources connectés en HDMI à votre télévision, même si vous ne souhaitez pas allumer la barre de son et écouter l'audio par celle-ci.

HDMI > HDMI Bypass > Off: (contournement > éteint) :

Cette option éteint la fonction de contournement HDMI en veille. Lorsque la barre de son est en mode

veille, elle ne passera pas l'audio/vidéo hors du HDMI. Activez-la en appuyant sur le bouton enter (entrer) et la barre de son répondra par « Saved » [Sauvegardé].

HDMI > HDMI Bypass > Last Used: (contournement > dernière utilisation) :

Cette option allume la fonction de contournement HDMI en veille et passe l'audio/vidéo de la dernière entrée HDMI utilisée pendant que la barre de son est en mode veille. Activez-la en appuyant sur le bouton enter (entrer) et la barre de son répondra par « Saved » [Sauvegardé].

HDMI > HDMI Bypass > HDMI 1 or HDMI 2 or HDMI 3 (HDMI > HDMI contournement > HDMI 1 ou HDMI 2 ou HDMI) :

cette option allume la fonction de contournement HDMI en veille et passe l'audio/vidéo de l'entrée HDMI 1, HDMI 2 ou HDMI 3 pendant que la barre de son est en mode veille. Activez-la en appuyant sur le bouton enter (entrer) et la barre de son répondra par « Saved » [Sauvegardé].

HDMI > Lip Sync (synchro labiale) :

Entrez dans le sous-menu en appuyant sur le bouton enter (entrer). Ici, vous pouvez ajuster la synchronisation audio/vidéo pour les entrées HDMI. Ajustez ce réglage si la synchronisation du contenu audio ne correspond pas au contenu vidéo.

HDMI > Lip Sync > HDMI ARC or HDMI 1 or HDMI 2 or HDMI 3 (HDMI > synchro labiale > HDMI ARC ou HDMI 1 ou HDMI 2 ou HDMI 3) :

Entrez dans le sous-menu en appuyant sur le bouton enter (entrer). Ici, vous pouvez choisir l'entrée pour laquelle vous ajustez la synchro labiale.

HDMI > Lip Sync > HDMI ARC or HDMI 1 or HDMI 2 or HDMI 3 > 0ms to 300ms (DMI > synchro labiale > HDMI ARC ou HDMI 1 ou HDMI 2 ou HDMI 3 > 0ms à 300ms) :

À l'aide des boutons directionnels haut/bas, choisissez le délai souhaité (de 0 à 300 millisecondes). Ajustez ce réglage jusqu'à ce que l'audio et la vidéo de vos sources HDMI soient synchronisés. Si l'audio et la vidéo des sources HDMI sont déjà synchronisés, laissez ce réglage à 0 ms. La synchronisation labiale

sera automatiquement réglée pour correspondre à la valeur affichée.

OPTION DU MENU : ARC (ANTHEM ROOM CORRECTION)

Anthem Room Correction (Système de correction de la pièce Anthem) Entrez dans le sous-menu en appuyant sur le bouton enter (entrer). Ici, vous pouvez allumer et éteindre l'Anthem Room Correction. À l'aide de processus exclusifs, d'un microphone et de la puissance de votre PC, le système ARC analyse le son dans la pièce de votre barre de son, puis calcule la correction requise pour obtenir un rendement optimal dans votre environnement acoustique.

ARC (Anthem Room Correction) > Off or On (éteint ou allumé) : Cette option permet d'allumer ou d'éteindre l'Anthem Room Correction. Activez-la en appuyant sur le bouton enter (entrer) et la barre de son répondra par « Saved » (Sauvegardé). Veuillez noter que le fait d'allumer et d'éteindre l'ARC fait uniquement une différence si les corrections de l'ARC n'ont pas été chargées dans la barre de son.

OPTION DU MENU : POWER SETTINGS (PARAMÈTRES D'ALIMENTATION)

Power Settings (Paramètres d'alimentation) :

Entrez dans le sous-menu en appuyant sur le bouton enter (entrer). Ici, vous pouvez ajuster les options d'alimentation de la barre de son.

Power Settings > Power Standby (Paramètres d'alimentation > veille de l'alimentation) : Entrez dans le sous-menu en appuyant sur le bouton enter (entrer). Ici, vous pouvez choisir si le caisson de sous-graves est toujours allumé ou s'il s'allume et s'éteint automatiquement.

Power Settings > Power Standby > Auto Standby (Power Settings > Power Standby (Paramètres d'alimentation > veille de l'alimentation > veille auto) :

Cette option configure la barre de son pour qu'elle s'éteigne si elle ne détecte pas de signal audio pendant environ 20 minutes. Lorsque la barre de son détecte un signal audio, elle s'allume automatiquement. Activez-la en appuyant sur le bouton enter (entrer) et la barre de son répondra par « Saved » (Sauvegardé). *Veuillez noter :* Lorsqu'elle est réglée à « Auto Standby » (veille auto), si la barre de son est éteinte manuellement (à l'aide du bouton Power sur le panneau de commande ou la télécommande), la barre de son ne répondra pas à un signal audio entrant et s'allumera pas automatiquement. Dans cette situation, allumez la barre de son à l'aide du bouton Power du panneau de commande ou de la télécommande, et la barre de son recommencera à gérer l'alimentation de façon automatique.

Power Settings > Power Standby > Always On (Paramètres d'alimentation > veille de l'alimentation > toujours allumé) :

Cette option configure la barre de son pour qu'elle reste allumée en tout temps jusqu'à ce qu'elle soit éteinte manuellement à l'aide du bouton Power du panneau de commande ou de la télécommande. Activez-la en appuyant sur le bouton enter (entrer) et la barre de son répondra par « Saved » (Sauvegardé).

Power Settings > Power-On Volume (Paramètres d'alimentation > volume allumage) :

Entrez dans le sous-menu en appuyant sur le bouton enter (entrer). Ici, vous pouvez configurer le volume par défaut de la barre de son lorsqu'elle s'allume ou qu'elle sort du mode veille.

Power Settings > Power-On Volume > Set

(Paramètres d'alimentation > volume allumage > régler) :

Entrez dans le sous-menu en appuyant sur le bouton enter (entrer). Ici, vous pouvez régler le volume à l'allumage.

Power Settings > Power-On Volume > Set > -90dB to +10dB (Paramètres d'alimentation > volume allumage > régler > -90dB à +10dB) : À l'aide des boutons directionnels haut/bas, choisissez le niveau de volume souhaité. Une fois cette fonction réglée, la barre de son sera toujours à ce niveau lorsqu'elle s'allume ou qu'elle sort du mode veille. Le niveau par défaut est -35dB.

Power Settings > Power-On Volume > Last Used (Paramètres d'alimentation > volume allumage > dernière utilisation) : Lorsque la veille de l'alimentation est réglée à « dernière utilisation », la barre de son s'allumera ou sortira du mode veille à un volume qui correspond au réglage du volume présent lorsque la barre de son a été éteinte ou qu'elle est passée en mode veille.

Power Settings > IP Control (Paramètres d'alimentation > contrôle IP) : Entrez dans le sous-menu en appuyant sur le bouton enter (entrer). Ici, vous pouvez allumer ou éteindre le contrôle IP. Le contrôle IP permet à la barre de son de répondre aux commandes IP entrantes à partir des systèmes de contrôle maison en réseau par l'entremise de l'Ethernet ou du Wi-Fi.

Power Settings > IP Control > Off or On (Paramètres d'alimentation > contrôle IP > éteint ou allumé) : Cette option éteint ou allume la fonction contrôle IP. Activez-la en appuyant sur le bouton enter (entrer) et la barre de son répondra par « Saved » (Sauvegardé).

Power Settings > Standby IP (Paramètres d'alimentation > contrôle IP en veille) : Entrez dans le sous-menu en appuyant sur le bouton enter (entrer). Ici, vous pouvez allumer ou éteindre la veille du contrôle IP. Cela vous permet de configurer la façon dont la barre de son répond aux commandes IP entrantes lorsqu'elle est en mode veille.

Power Settings > Standby IP > Off or On (Paramètres d'alimentation > contrôle IP en veille > éteint ou allumé) : Cette option éteint ou allume la fonction

contrôle IP en veille. Activez-la en appuyant sur le bouton enter (entrer) et la barre de son répondra par « Saved » (Sauvegardé).

Lorsque ce paramètre est réglé à « éteint », la barre de son ne répondra pas aux commandes IP entrantes lorsqu'elle est éteinte ou en mode veille. Si le contrôle IP est réglé à éteint, le contrôle IP en veille est désactivé.

OPTION DU MENU : WIRELESS SETUP (CONFIGURATION SANS FIL)

Wireless Setup (Configuration Sans Fil) : Entrez dans le sous-menu en appuyant sur le bouton enter (entrer). Ici, vous pouvez installer une connexion Wi-Fi, allumer ou éteindre Wi-Fi, réinitialiser les paramètres Wi-Fi, et installer une connexion Bluetooth.

Wireless Setup > Initialize WiFi (Configuration Sans Fil > Initialiser Wi-Fi) : Entrez dans le sous-menu en appuyant sur le bouton enter (entrer). Ici, vous pouvez installer une connexion Wi-Fi, allumer ou éteindre Wi-Fi, réinitialiser les paramètres Wi-Fi.

Wireless Setup > Initialize WiFi > No Wireless Setup > Initialize WiFi > No (Configuration Sans Fil > Initialiser Wi-Fi > Non) : Entrez dans le sous-menu en appuyant sur le bouton enter (entrer). Le choix de cette option permet de quitter sans la configuration Wi-Fi.

Wireless Setup > Initialize WiFi > No Wireless Setup > Initialize WiFi > Yes (Configuration Sans Fil > Initialiser Wi-Fi > Oui) : Entrez dans le sous-menu en appuyant sur le bouton enter (entrer). La barre de son répondra « Resetting » (Réinitialisation).

Wireless Setup > Bluetooth Pairing (Configuration Sans Fil > Appairage Bluetooth) : Entrez dans le sous-menu en appuyant sur le bouton enter (entrer). Ici, vous pouvez installer une connexion Bluetooth.

OPTION DU MENU : LEARN REMOTE (APPRENTISSAGE TÉLÉCOMMANDE)

Veillez noter : Il se peut que la barre de son ne puisse pas apprendre ou apprendre correctement certains types de télécommande. En raison du nombre de télécommandes disponibles, il est impossible de prédire quelles télécommandes fonctionneront ou ne fonctionneront pas.

Veillez noter : lorsque vous programmez une deuxième télécommande, vous remarquerez qu'elle n'a probablement pas les boutons qui correspondent directement aux commandes de la barre de son. Ce ne sont pas toutes les commandes de la barre de son qui doivent être programmées. Certaines télécommandes offrent des boutons « fonction » (F1, F2, etc.) qui peuvent être utilisés pour programmer des commandes uniques à la barre de son comme « Bass Mode : Night » (mode graves : nuit). HDMI 1 » (Entrée : HDMI 1).

Veillez noter : Certaines télécommandes offrent des boutons « Power on » (Allumer) et « Power off » (Éteindre) distincts. D'autres offrent un seul bouton pour basculer de Allumer à Éteindre. La fonction apprentissage (learning) de la barre de son vous permet de programmer en fonction de ces deux scénarios.

Learn Remote (Apprentissage télécommande) : Entrez dans le sous-menu en appuyant sur le bouton enter (entrer). Les paramètres de ce menu programment la barre de son pour qu'elle réponde à une deuxième télécommande. La télécommande fournie avec la barre de son fonctionnera toujours avec la barre de son, même si elle est programmée pour répondre à une deuxième télécommande.

Si vous essayez de programmer un code de télécommande à partir d'une deuxième télécommande qui est déjà programmée, la barre de son répondra par « Failed » (Échec).

À l'aide des boutons directionnels haut/bas, vous pouvez choisir et programmer les commandes suivantes :

- Volume +
- Volume –

- Mute (Sourdine)
- Next Input (Entrée suivante)
- Previous Input (Entrée précédente)
- Up (haut)
- Down (bas)
- Left (gauche)
- Right (droite)
- Enter (Entrer)
- Bass Mode: Night (Mode graves : nuit)
- Bass Mode: Normal (Mode graves : normal)
- Bass Mode: Bass+ (Mode graves : graves+)
- Stereo Mode: Wide (Mode stéréo : large)
- Stereo Mode: Voice+ (Mode stéréo : Voix+)
- Stereo Mode: Normal (Mode stéréo : normal)
- Power Toggle (Basculer alimentation)
- Power On (Allumé)
- Power Off (Éteint)
- Menu
- Input: HDMI 1 (Entrée : HDMI 1)
- Input: HDMI 2 (Entrée : HDMI 2)
- Input: HDMI 3 (Entrée : HDMI 3)
- Input: HDMI ARC (Entrée : HDMI ARC)
- Input: Bluetooth (Entrée : Bluetooth)
- Input: Optical 1 (Entrée : optique 1)
- Input: Optical 2 (Entrée : optique 2)
- Input: Analog 1 (Entrée : analogique 1)
- Input: Analog 2 (Entrée : analogique 2)
- ARC On [Anthem Room Correction On] (ARC allumé)
- ARC Off [Anthem Room Correction Off] (ARC éteint)

Choisissez la commande que vous souhaitez programmer et appuyez sur le bouton enter (entrée). La barre de son répondra par « Push Button » (Appuyez bouton). Tenez la deuxième télécommande à environ 12 pouces (30 cm) de la barre de son et appuyez et maintenez enfoncé le bouton approprié quatre fois. Si la nouvelle télécommande est enregistrée avec succès, la barre de son affichera « Saved » (Sauvegardé). Si la nouvelle télécommande n'est pas enregistrée, la barre de son affichera « Failed » (Échec). Répétez le processus en cas d'échec.

Learn > Reset Remote (Apprentissage > réinitialiser télécommande) : Entrez dans le sous-menu en appuyant sur le bouton enter (entrer). La réinitialisation supprimera la

programmation de la deuxième télécommande. La fonction Réinitialisation exige une confirmation.

Learn > Reset Remote > No (Apprentissage > réinitialiser télécommande > Non) : Activez en appuyant sur le bouton enter (entrée). Le fait de choisir cette option permet de sortir sans effacer la programmation de la télécommande.

Learn > Reset Remote > Yes (Apprentissage > réinitialiser télécommande > Oui) : Activez en appuyant sur le bouton enter (entrée). La barre de son répondra par « Resetting » (réinitialisation). Après une réinitialisation des codes, il n'y a aucune façon de récupérer les réglages précédents.

OPTION DU MENU : SOURCE NAME (NOM DE LA SOURCE)

Source Name (Nom de la source) : Entrez dans le sous-menu en appuyant sur le bouton enter (entrer). Les paramètres de ce menu vous permettent d'attribuer de nouveaux noms à afficher sur la barre de son lorsque vous changez les entrées. Par exemple, vous pouvez programmer l'entrée « Optical 1 » pour qu'elle indique « DVD ».

À l'aide des boutons directionnels haut/bas, vous pouvez choisir et programmer les noms d'entrée suivants :

- HDMI 1
- HDMI 2
- HDMI 3
- HDMI ARC
- Optical 1
- Optical 2
- Analog 1
- Analog 2

Choisissez le nom de l'entrée que vous souhaitez reprogrammer et appuyez sur le bouton enter (entrée). L'affichage de la barre de son affichera le nom actuel. Appuyez sur les boutons directionnels haut/bas pour naviguer dans les caractères alphanumériques disponibles. En appuyant sur les boutons directionnels gauche/droite, vous passerez à l'espace suivant/précédant. Pour terminer la programmation d'un nom d'entrée, utilisez les boutons gauche/droite pour aller entièrement à gauche ou à droite.

OPTION DU MENU : SERVICE

Service : Entrez dans le sous-menu en appuyant sur le bouton enter (entrer).

Service > Firmware (Service > micrologiciel) : Entrez dans le sous-menu en appuyant sur le bouton enter (entrer).

Service > Firmware > MCU (Service > micrologiciel > MCU) : Le fait d'appuyer sur le bouton enter affichera la version actuelle du micrologiciel pour le MCU (microcontroller unit) de la barre de son.

Service > Firmware > DSP (Service > micrologiciel > DSP) : Le fait d'appuyer sur le bouton Entrer affichera la version actuelle du micrologiciel pour le module DSP de la barre de son.

Service > Firmware > IA3S4 (Service > micrologiciel > IA3S4) : le fait d'appuyer sur le bouton Entrer affichera la version actuelle du micrologiciel pour le module de caisson de sous graves sans fil de la barre de son.

Service > Firmware > TC390 (Service > micrologiciel > TC390) : le fait d'appuyer sur le bouton Entrer affichera la version actuelle du micrologiciel pour le module du bouton tactile de la barre de son.

Service > Firmware > IP Adress (Service > micrologiciel > Adresse IP) : Le fait d'appuyer sur le bouton Entrer affichera la version actuelle du micrologiciel pour l'IP dynamique de la barre de son.

Service > Firmware > MAC MCU (Service > micrologiciel > MAC MCU) : Le fait d'appuyer sur le bouton enter affichera la version actuelle du micrologiciel pour l'adresse mac du MCU de la barre de son.

Service > Firmware > MAC LAN (Service > micrologiciel > MAC LAN) : Le fait d'appuyer sur le bouton enter affichera la version actuelle du micrologiciel pour l'adresse mac du LAN de la barre de son.

Service > Firmware > MAC Wi-Fi (Service > micro-logiciel > MAC Wi-Fi) : Le fait d'appuyer sur le bouton entrer affichera la version actuelle du micrologiciel pour l'adresse mac du Wi-Fi de la barre de son.

Service > Firmware > CAP Info (Service > micrologiciel > CAP Info) : Le fait d'appuyer sur le bouton entrer affichera la version actuelle du micrologiciel pour le module matériel Play-Fi.

Service > Factory Reset (Service > réinitialisation usine)
: Entrez dans le sous-menu en appuyant sur le bouton entrer (entrer). La réinitialisation de la barre de son rétablira tous les paramètres des paramètres par défaut de l'usine. Cela effacera tous les paramètres préconfigurés par l'utilisateur, les données Anthem Room Correction. Cette fonction exige une confirmation afin de diminuer les risques d'effectuer une réinitialisation accidentelle.

Service > Factory Reset > at home (Service > réinitialisation usine > à la maison) : Entrez dans le sous-menu en appuyant sur le bouton entrer (entrer).

Service > Factory Reset > at home > No (Service > réinitialisation usine > à la maison > Non) : Activez en appuyant sur le bouton entrer (entrée). Le fait de choisir cette option permet de quitter sans réinitialisation.

Service > Factory Reset > at home > Yes (Service > réinitialisation usine > à la maison > Oui) : Activez en appuyant sur le bouton entrer (entrée). La barre de son répondra par « Resetting » (réinitialisation). Une fois terminé, la barre de son rétablira les paramètres à la maison par défaut de l'usine. Après une réinitialisation, il est impossible de récupérer les paramètres précédents.

Service > Factory Reset > In store (Service > réinitialisation usine > en magasin) : Entrez dans le sous-menu en appuyant sur le bouton entrer (entrer).

Service > Factory Reset > In store > No (Service > réinitialisation usine > en magasin > Non) : Activez en appuyant sur le bouton entrer (entrée). Le fait de choisir cette option permet de quitter sans réinitialisation.

Service > Factory Reset > In store > Yes (Service > réinitialisation usine > en magasin > Oui) : Activez en appuyant sur le bouton entrer (entrée). La barre de son répondra par « Resetting » (réinitialisation). Une fois terminé, la barre de son rétablira les paramètres par défaut de l'usine. Après une réinitialisation, il est impossible de récupérer les paramètres précédents.

MENU OPTION: USB UPGRADE (MISE À JOUR USB)

USB Upgrade (Mise à jour USB) : Entrez dans le sous-menu en appuyant sur le bouton entrer (entrer).

USB Upgrade > Upgrade DSP > No ou Yes (Mise à jour USB > Mise à jour DSP > Non ou Oui) : Cette option éteint ou allume la mise à jour DSP. Activez-la en appuyant sur le bouton entrer (entrer) et la barre de son répondra par « Saved » (Sauvegardé).

USB Upgrade > Upgrade TC390 > No ou Yes (Mise à jour USB > Mise à jour TC390 > Non ou Oui) : Cette option éteint ou allume la mise à jour TC390. Activez-la en appuyant sur le bouton entrer (entrer) et la barre de son répondra par « Saved » (Sauvegardé).

USB Upgrade > Upgrade MCU > No ou Yes (Mise à jour USB > Mise à jour MCU > Non ou Oui) : Cette option éteint ou allume la mise à jour MCU. Activez-la en appuyant sur le bouton entrer (entrer) et la barre de son répondra par « Saved » (Sauvegardé).

USB Upgrade > Upgrade ALL > No ou Yes (Mise à jour USB > Mise à jour DSP > Non ou Oui) : Cette option éteint ou allume la mise à jour ALL. Activez-la en appuyant sur le bouton entrer (entrer) et la barre de son répondra par « Saved » (Sauvegardé).

DÉCODAGE DU SON AMBIOPHONIQUE

ENTRÉES OPTIQUES NUMÉRIQUES

Cette barre de son est capable de détecter et de décoder automatiquement les formats audio à canaux multiples, comme ceux des films sur DVD ou Blu-ray.

Lorsque vous utilisez une connexion optique numérique, la barre de son peut traiter les formats suivants : Dolby^{MD} Digital, DTS Digital Surround^{MC}, et stéréo numérique.



ENTRÉE ANALOGIQUE

L'information sonore encodée numériquement ne peut pas être transmise à une entrée analogique. Cette méthode de connexion est appropriée pour la plupart des appareils qui offrent seulement deux canaux de sortie (comme les magnétoscopes (VCR), les lecteurs CD, les consoles de jeu plus anciennes ou les stations de lecteur média portatives). Bien que la plupart des appareils offrant le son ambiophonique, comme les lecteurs DVD et Blu-ray, offrent des connexions analogiques et numériques, il faut toujours utiliser les connexions numériques. Si un appareil source est raccordé par l'entremise d'une connexion RCA analogique gauche/droite, le contenu audio encodé à 5.1 canaux ne sera pas transmis à la barre de son.

LECTURE DE L'AUDIO À L'AIDE DU DTS PLAY-FI

Remarque : Les prochaines mises à jour de l'application DTS Play-Fi pourraient changer les fonctions.

1. Lancez l'application DTS Play-Fi sur votre appareil mobile ou votre PC (située dans la barre d'état système).
2. **Utilisateurs d'un appareil Android et iOS :** Dans l'application Play-Fi, choisissez votre source de musique. Vous pouvez choisir dans votre bibliothèque de musique personnelle, dans la radio Internet, ou services de musique en ligne. (Consultez paradigm.com pour obtenir une liste complète des services de musique disponibles). Comment contrôler plusieurs. **Utilisateurs PC :** Tout contenu audio de votre ordinateur peut être lu en continu avec Play-Fi.
3. Si plus d'une enceinte Play-Fi^{MD} est connectée à votre réseau, on vous invitera à choisir l'enceinte vers laquelle vous souhaitez envoyer la musique en continu.

COMMANDE D'ENCEINTES MULTIPLES

Si plus d'une enceinte Play-Fi est connectée à votre réseau, vous pouvez envoyer le même audio en continu à plusieurs enceintes simultanément.

1. **Utilisateurs d'un appareil Android et iOS :** Dans l'application, appuyez sur le logo Play-Fi dans le coin inférieur de l'application. **Utilisateurs PC :** ouvrez le programme Play-Fi à l'aide de l'icône dans votre barre d'état système.
2. Choisissez des appareils additionnels pour lire l'audio. **Utilisateurs PC :** Une version gratuite de l'application Windows pourrait ne pas vous permettre de lire en continu avec plusieurs enceintes. Une version à niveau de l'application DTS Play-Fi, avec cette capacité, peut être achetée sur le site Web de DTS.

Remarque : Il est possible de synchroniser huit enceintes Play-Fi pour lire le même contenu audio en même temps. Nous recommandons jusqu'à 32 enceintes Play-Fi sur un même réseau pour le meilleur résultat, mais la seule limite au nombre d'appareils connectés est le nombre que votre routeur peut prendre en charge.

CONSEIL! Enceintes principales et secondaires

Lorsque vous envoyez du contenu audio en continu vers plusieurs appareils, on vous demande de les attribuer à deux catégories : appareil principal et secondaire. Le module DTS Play-Fi nécessite de choisir un appareil principal. Cela maximise la synchronisation entre les appareils multiples qui lisent le même contenu en continu de façon simultanée. Choisissez l'appareil DTS Play-Fi avec le signal le plus fort

comme appareil principal. Les appareils secondaires se connectent à votre appareil principal, alors si vous désactivez votre appareil principal, vous devrez choisir un nouvel appareil principal avant que l'audio ne recommence sur vos appareils secondaires.

CARACTÉRISTIQUES PLAY-FI SUPPLÉMENTAIRES

De nouvelles versions de l'application Play-Fi ajouteront des caractéristiques qui ne sont pas mentionnées dans le présent manuel. Veuillez consulter l'application et la documentation connexe pour obtenir les détails des nouvelles caractéristiques améliorées comme l'envoi de contenu audio différent à plusieurs zones et le groupage de deux enceintes discrètes pour la lecture en stéréo (gauche/droite).

FUNCTIONNEMENT DE SPOTIFY CONNECT

Spotify Connect ne fonctionne qu'avec Spotify Premium (voir détails au verso).

1. Ajoutez votre nouvel appareil au même réseau wi-fi que votre téléphone, tablette ou PC (pour plus d'informations, consultez les instructions d'utilisation du produit).
2. Ouvrez l'appli Spotify sur votre téléphone, tablette ou PC, puis écoutez le titre de votre choix.
3. Si vous utilisez l'appli sur un téléphone, appuyez sur l'image du titre dans le coin inférieur gauche de l'écran. Sur tablette et PC, passez à l'étape 4.

4. Appuyez sur l'icône Connect 

5. Choisissez votre appareil dans la liste. S'il n'y figure pas, il vous suffit de vérifier qu'il est bien connecté au même réseau wi-fi que celui de votre téléphone, tablette ou PC.

Terminé ! Bonne écoute !

Licences

Le logiciel Spotify est l'objet de licences de tiers trouvés ici:

www.spotify.com/connect/third-party-licenses.

MISES À JOUR ET REDÉMARRAGE

REDÉMARRAGE DE LA BARRE DE SON

Pour effectuer un redémarrage de la barre de son, débranchez le cordon d'alimentation, attendez 30 secondes, puis rebranchez-le. Appuyez sur le bouton Power pour allumer la barre de son. Ce redémarrage éteindra et allumera l'alimentation électrique, et forcera la barre de son à se reconnecter à votre réseau.

MISE À JOUR DU MICROLOGICIEL DE LA BARRE DE SON

Le MCU de la barre de son aura parfois besoin de mises à jour du micrologiciel. Veuillez consulter le site Web www.paradigm.com pour obtenir les mises à jour les plus récentes du micrologiciel.

MISE À JOUR DU MODULE DTS PLAY-FI

Le module Caprica du DTS Play-Fi dans votre barre de son aura parfois besoin d'une mise à jour du micrologiciel. Si une mise à jour est nécessaire, l'application DTS Play-Fi vous informera et vous guidera pendant le processus de mise à jour.

MISE À JOUR DU DTS PLAY-FI^{MD}

Si l'application DTS Play-Fi sur votre appareil mobile ou votre PC nécessite une mise à jour, vous serez informé qu'une mise à jour est disponible et guidé pendant le processus de mise à jour.

ARC^{MC} (ANTHEM ROOM CORRECTION)

Même lorsque les meilleures enceintes sont parfaitement positionnées, la pièce elle-même peut avoir un effet important sur tout système de son, et un impact encore plus grand que toute autre composante individuelle. De nombreuses solutions sont apparues et disparues au fil des années, mais aucune n'a résolu le problème de la « pièce ». Jusqu'à l'ARC.

À l'aide de processus exclusifs et de la puissance de votre PC, le système ARC analyse le son dans la pièce de chaque enceinte, puis calcule la correction requise pour obtenir un rendement optimal de chaque enceinte. C'est un processus qui dure environ 15 minutes. L'approche d'Anthem est une véritable solution audiophile aux problèmes de la pièce.

IMPORTANT! L'espace d'écoute doit être silencieux. Un ventilateur d'ordinateur bruyant, un lave-vaisselle ou un four à micro-ondes en marche, etc. peuvent avoir un effet négatif sur les mesures de l'ARC.

Comment utiliser la technologie ARC :

1. Assurez-vous que votre barre de son est déjà connectée à votre réseau local et qu'elle est allumée.
2. **IP Control (contrôle IP)** doit être « On » (allumés). Pour l'activer, ou pour vérifier qu'il est « On », naviguer dans le système de menu à l'emplacement suivant :
Contrôle IP : **Power Settings > IP Control > On**
(Paramètres d'alimentation > **contrôle IP > allumé**).

3. Téléchargez la version la plus récente du logiciel ARC-2 sur www.anthemav.com et installez-le. Suivez les instructions à l'écran.
4. À l'aide du câble USB, connectez le microphone ARC à un PC Windows. Le câble USB et le microphone ARC sont fournis avec la barre de son.
5. Cherchez l'icône sur votre bureau et lancez le programme ARC. Suivez les invites sur votre écran pour lancer le logiciel ARC; le processus intégral durera environ 15 minutes.
6. Tenez le microphone ARC avec le bras entièrement allongé; la pointe du microphone ARC doit être orientée vers le plafond et elle doit être placée au niveau de l'oreille.
7. Pour obtenir de meilleurs résultats, tenez le microphone dans 5 positions différentes autour de la pièce.

CONSEIL! Une fois que le processus ARC est terminé, l'audio sera joué en reflétant ces corrections. Pour allumer et éteindre les corrections ARC, utilisez le menu et naviguez à « Anthem Room Correction ».



GARANTIE LIMITÉE

Le enceinte Paradigm^{MD} PW SOUNDBAR mentionnées dans ce manuel sont garanties contre les défauts de matériaux et de fabrication pendant une période d'un (1) an.

Durant cette période, la réparation, le remplacement ou le réglage de pièces pour des défauts de matériaux ou de fabrication ne seront pas à la charge du premier acheteur.

Les dommages causés par l'exposition abusive à la chaleur ou l'usage abusif ne sont pas couverts par la présente garantie.

Restrictions :

- La garantie entre en vigueur à la date d'achat par le premier acheteur chez un revendeur autorisé Paradigm^{MD} seulement. La garantie n'est pas transférable.
- La garantie s'applique au produit pour une utilisation résidentielle normale uniquement. Si le produit est assujéti à l'une des conditions définies dans le paragraphe suivant, la garantie est nulle.
- La garantie ne s'applique pas à un usage commercial ou professionnel.

La garantie est révoquée si :

- Le produit est assujéti à un usage abusif (accidentel ou intentionnel);
- Le produit est utilisé avec du matériel défectueux ou non adéquat;
- Le produit est soumis à des signaux électriques dommageables, un transport dangereux, des dommages mécaniques ou toute autre condition anormale;
- Le produit (y compris le boîtier) est altéré ou endommagé lors d'une réparation non autorisée;
- La plaque du numéro de série est enlevée ou défigurée. Responsabilités du propriétaire :

- Apporter un soin et un entretien normaux et raisonnables;
- Assumer les frais de transport jusqu'à l'atelier de réparations;
- Fournir une preuve d'achat (conserver le reçu fourni lors de l'achat par le revendeur autorisé Paradigm^{MD} comme preuve de la date d'acquisition).

Si une réparation est nécessaire, contactez le revendeur autorisé Paradigm^{MD}, Paradigm Electronics Inc. ou le distributeur à l'étranger (à l'extérieur du Canada et des États-Unis) pour planifier l'envoi prépayé de l'appareil défectueux. Consultez le site Web www.paradigm.com pour plus d'information.

Paradigm Electronics Inc. se réserve le droit d'améliorer la conception de tout produit sans obligations de modifier tout produit déjà fabriqué.

La présente garantie tient en lieu et place de toute autre garantie, explicite ou implicite, de qualité marchande et d'adéquation pour tout usage particulier, et ne peut être élargie ou étendue par quiconque. Paradigm Electronics Inc. et ses représentants ou agents ne peuvent pas être tenus responsables de dommages indirects ou consécutifs découlant de l'utilisation de ces produits en aucun cas. Dans les endroits où une réglementation spécifique interdit une telle limitation de la responsabilité, cette exclusion ne s'applique pas.

Conservez le présent manuel et le reçu comme preuves d'achat et de garantie.

Si vous avez d'autres questions, appelez Paradigm en composant le **905-696-2868** ou envoyez un courriel à l'adresse service@paradigm.com pour obtenir de l'assistance concernant les produits.

FOIRE AUX QUESTIONS

Puis-je utiliser la barre de son comme un canal central dédié? Non. La barre de son est conçue pour fonctionner comme un appareil de lecture audio à 2 canaux stéréo ou ambiophonique à canaux multiples.

Pourquoi la barre de son ne reproduit pas le son à canaux multiples (son ambiophonique)? Il peut y avoir plusieurs raisons. Consultez la section « Raccordement » de ce manuel pour mieux comprendre les méthodes de raccordement et les actions potentielles qui peuvent avoir des conséquences sur la capacité de la barre de son à recevoir le son encodé à canaux multiples de votre télévision ou d'autres composantes sources vidéo/audio.

Est-ce que la barre de son décode les formats Dolby^{MD} TrueHD ou DTS-HD Master Audio^{MC}? Non. Cette barre de son ne décode pas les formats Dolby TrueHD ou DTS-HD Master Audio^{MC}. Si votre source audio (probablement un lecteur Blu-ray) accepte l'un de ces formats, vous devez la configurer par défaut à la piste de son encodée Dolby Digital ou DTS Digital Surround^{MC}.

Puis-je monter la barre de son sur le mur à l'aide de supports muraux qui pivotent? Paradigm ne fournit pas de support mural qui pivote avec la barre de son. Il existe des options sur le marché, mais nous ne recommandons et ne garantissons aucune marque ni aucun modèle en particulier.

Comment puis-je nettoyer la barre de son? Utilisez un linge propre (comme un linge à microfibrés) ou une brosse molle pour enlever la poussière des enceintes. Ne vaporisez pas d'agent nettoyant sur ou à proximité des haut-parleurs.

J'ai un caisson de sous-graves Paradigm avec un récepteur sans fil intégré. Est-ce que le transmetteur sans fil de caisson de sous-graves intégré de ma barre de son est compatible avec mon caisson de sous-graves?

Non. Le transmetteur sans fil du caisson de sous-graves intégré dans votre produit Paradigm PW SOUNDBAR n'est pas compatible avec les caissons de sous-graves Paradigm dotés de la technologie de transmetteur sans fil intégré de caisson de sous-graves. Vous pouvez tout de même utiliser la fonction sans fil en connectant le récepteur sans fil de caisson de sous-graves inclus à l'entrée LFE sur votre caisson de sous-graves ou en connectant un transmetteur PT-1 ou PT-2 de Paradigm à la sortie Sub Out de la barre de son.

Peut-il y avoir une interaction entre mes enceintes et la télévision dans mon système A/V? Oui, mais seulement avec les télévisions CRT. Cette barre de son n'a pas de protection magnétique et doit être gardée à au moins 2 pieds d'une télévision CRT. Les télévisions ACL et plasma ne sont pas touchées.

Comment puis-je enlever le couvercle de grille de la barre de son? Le couvercle de grille de la barre de son n'est pas amovible.

DÉPANNAGE

J'ai de la difficulté à utiliser l'application Play-Fi^{MD}.

- Pour obtenir de plus amples renseignements sur l'application DTS Play-Fi, veuillez consulter : <https://play-fi.com/faq>

La barre de son ne s'allume pas.

- Vérifiez que le cordon d'alimentation CA de la barre de son est bien fixé dans l'entrée AC Power In et bien branché dans une prise CA qui fonctionne.

La DEL de statut Wi-Fi ne s'allume pas.

- Lors d'une connexion à un réseau avec un câble Ethernet, cette lumière s'éteint.

Je suis incapable de connecter la barre de son à mon réseau.

- Vérifiez que votre réseau sans fil fonctionne.
- Le signal sans fil de votre routeur peut être faible ou votre barre de son peut être hors de portée de votre réseau Wi-Fi. Déplacez la barre de son plus proche du routeur ou utilisez une connexion Ethernet.
- Redémarrez la barre de son. Débranchez la barre de son, attendez 30 secondes, rebranchez-la, puis appuyez sur le bouton Power. Ce redémarrage éteindra et allumera l'alimentation électrique, et forcera la barre de son à se reconnecter à votre réseau.
- Réinitialisez la barre de son aux paramètres de l'usine. Dans le menu, choisissez « Service > Factory Reset > At Home > Yes » (Service > Réinitialisation usine > à la maison > oui). La barre de son répondra par « Resetting » (réinitialisation). Une fois terminé, la barre de son rétablira les paramètres à la maison par défaut de l'usine. Après une réinitialisation, il est impossible de récupérer les paramètres configurés par l'utilisateur.

L'application Play-Fi ne trouve pas ma barre de son.

- Si vous essayez de configurer la barre de son, vérifiez que la barre de son est allumée et en mode point d'accès (la DEL de statut Wi-Fi pulse lentement). Si la DEL de statut Wi-Fi ne pulse pas lentement, appuyez et maintenez enfoncé le bouton de configuration Wi-Fi pendant 8 secondes. Vous entendrez deux tonalités, une à 3 secondes et l'autre à 8 secondes.
- Vérifiez que vous êtes dans l'intervalle de distance recommandé pour votre routeur sans fil.
- Vérifiez que le Wi-Fi est activé sur votre appareil mobile ou PC ou qu'il est connecté autrement au réseau.
- Vérifiez qu'aucune autre application pouvant nuire à la connectivité sans fil à votre réseau ne fonctionne sur votre appareil.
- Redémarrez votre téléphone, tablette ou PC.
- Si vous ne trouvez toujours pas la barre de son sur votre réseau et que vous êtes dans un bureau, vérifiez auprès de l'administrateur du réseau si des autorisations spéciales sont activées et empêchent les appareils sans fil externes de communiquer avec le réseau.
- Si la barre de son n'est toujours pas trouvée, désinstallez, téléchargez à nouveau et réinstallez l'application DTS Play-Fi^{MD} sur votre appareil mobile ou votre PC. Redémarrez la barre de son. Débranchez la barre de son, attendez 30 secondes, rebranchez-la, puis appuyez sur le bouton Power. Ce redémarrage éteindra et allumera l'alimentation électrique, et forcera la barre de son à se reconnecter à votre réseau.

L'application Play-Fi indique « Play-Fi Devices Lost (appareil Play-Fi perdu) »

- Vérifiez que votre appareil est allumé.
- Vérifiez que vous avez un signal de réseau fort.
- Vérifiez si la connexion réseau est perdue.

- Vérifiez si d'autres appareils causent un trafic lourd sur le réseau.
- Vérifiez si l'appareil mobile ou le PC est hors de portée du routeur.
- Vérifiez que votre appareil mobile ou PC et votre barre de son sont connectés au même réseau.
- Vérifiez que la lecture en continu sans fil de la barre de son n'est pas prise par une autre application.
- Sortez de l'application DTS Play-Fi et redémarrez-la.
- Désinstallez, téléchargez à nouveau et réinstallez l'application DTS Play-Fi sur votre appareil mobile ou votre PC.
- Redémarrez la barre de son. Débranchez la barre de son, attendez 30 secondes, rebranchez-la, puis appuyez sur le bouton Power. Ce redémarrage éteindra et allumera l'alimentation électrique, et forcera la barre de son à se reconnecter à votre réseau.

Aucun son de la barre de son.

- Vérifiez si la barre de son est allumée.
- Vérifiez si la barre de son est en mode sourdine (mute).
- Vérifiez si le volume de la barre de son est à zéro.
- Vérifiez si la barre de son est réglée à la bonne entrée.
- Vérifiez que toutes les composantes du système sont allumées et que le matériel source est en mode lecture.
- Éteignez et allumez la barre de son à l'aide de la télécommande ou du bouton Power.
- Débranchez la barre de son, attendez 30 secondes et rebranchez-la.
- Vérifiez si tous les câbles d'interconnexion sont raccordés aux deux extrémités.
- Si nécessaire, essayez de raccorder une autre composante source pour vous assurer que la composante source d'origine n'est pas le problème.

Aucun son ambiophonique

- Consultez la section « Raccordement » de ce manuel pour mieux comprendre les méthodes de raccordement et les options potentielles qui peuvent avoir des conséquences sur la capacité de la barre de son à recevoir le son encodé à canaux multiples de votre télévision ou d'autres composantes sources vidéo/audio.

Aucun son ne sort de la barre de son et de ma télévision

- Lorsque vous utilisez la barre de son pour reproduire l'audio, la sortie audio de la télévision doit être désactivée. Certaines télévisions vous permettent d'éteindre l'enceinte interne en passant par le système de menu de la télévision. Pour d'autres modèles de télévision, vous devez régler le volume de la télévision à zéro ou à « sourdine ».

Le son de la barre de son est trop faible, même lorsque je monte le volume

- Vérifiez si la sortie de votre télévision ou des autres composantes sources est raccordée par l'entremise d'une sortie à niveau variable. Parfois, cette option peut être configurée dans le menu de la composante source. Veuillez consulter le manuel de la composante source en question.

La barre de son n'enregistre pas les codes d'une autre télécommande

- Consultez la section « Menu Option: Learn » (Option menu : apprentissage) de ce manuel.
- Tenez la télécommande à 12 pouces (30 cm) de la barre de son pendant le processus d'apprentissage.
- Appuyez sur le bouton approprié de la deuxième télécommande à quatre reprises.
- Si la barre de son a déjà appris un code de télécommande et que vous essayez de programmer le même code pour une deuxième fonction, la barre de son répondra par « Échec ».

- Il se peut que la barre de son ne puisse pas apprendre ou apprendre correctement certains types de télécommande. En raison du nombre de télécommandes disponibles, il est impossible de prédire quelles télécommandes fonctionneront ou ne fonctionneront pas.
- Vérifiez le manuel de l'utilisateur ou le site Web du fabricant pour savoir si votre télécommande secondaire est supportée par Paradigm. Le cas échéant, au lieu « d'apprendre » avec la barre de son, utilisez le code fourni par le fabricant pour programmer la télécommande secondaire elle-même.

La télécommande de la barre de son ne fonctionne pas

- Remplacez les piles de la télécommande avec des piles correspondantes.
- Assurez-vous que les piles sont installées dans le bon sens.
- Si les nouvelles piles ne règlent pas le problème, la télécommande pourrait être défectueuse. Appelez le service à la clientèle de Paradigm au 905-696-2868 pour obtenir les détails.

Lorsque j'utilise une deuxième télécommande, la barre de son s'éteint quand j'allume la télévision

- Allumez la télévision. Appuyez sur le bouton Power de la barre de son afin que la barre de son et la télévision soient allumées en même temps.

Aucun son provenant du caisson de sous-graves externe

- Vérifiez si le caisson de sous-graves externe est allumé.
- Vérifiez si la barre de son est configurée pour un raccordement câblé ou un raccordement sans fil. Consultez la section « Raccordement d'un caisson de sous-graves » de ce manuel.

- Si vous utilisez un raccordement câblé, vérifiez si les câbles du caisson de sous-graves sont raccordés à la connexion Sub Out de la barre de son et à l'entrée appropriée du caisson de sous-graves.
- Si vous utilisez une connexion sans fil, essayez de synchroniser à nouveau la connexion sans fil. Consultez la section « Raccordement d'un caisson de sous-graves » de ce manuel. Si une tentative de synchronisation a échoué, vous pourriez devoir éteindre la barre de son et le récepteur sans fil du caisson de sous-graves avant d'essayer de synchroniser à nouveau.
- Si vous utilisez une connexion sans fil, rapprochez le caisson de sous-graves de la barre de son.
- Éteignez et allumez la barre de son à l'aide de la télécommande ou du bouton Power du panneau de commande.
- Débranchez la barre de son, attendez 30 secondes et rebranchez-la.

Le caisson de sous-graves externe est trop silencieux

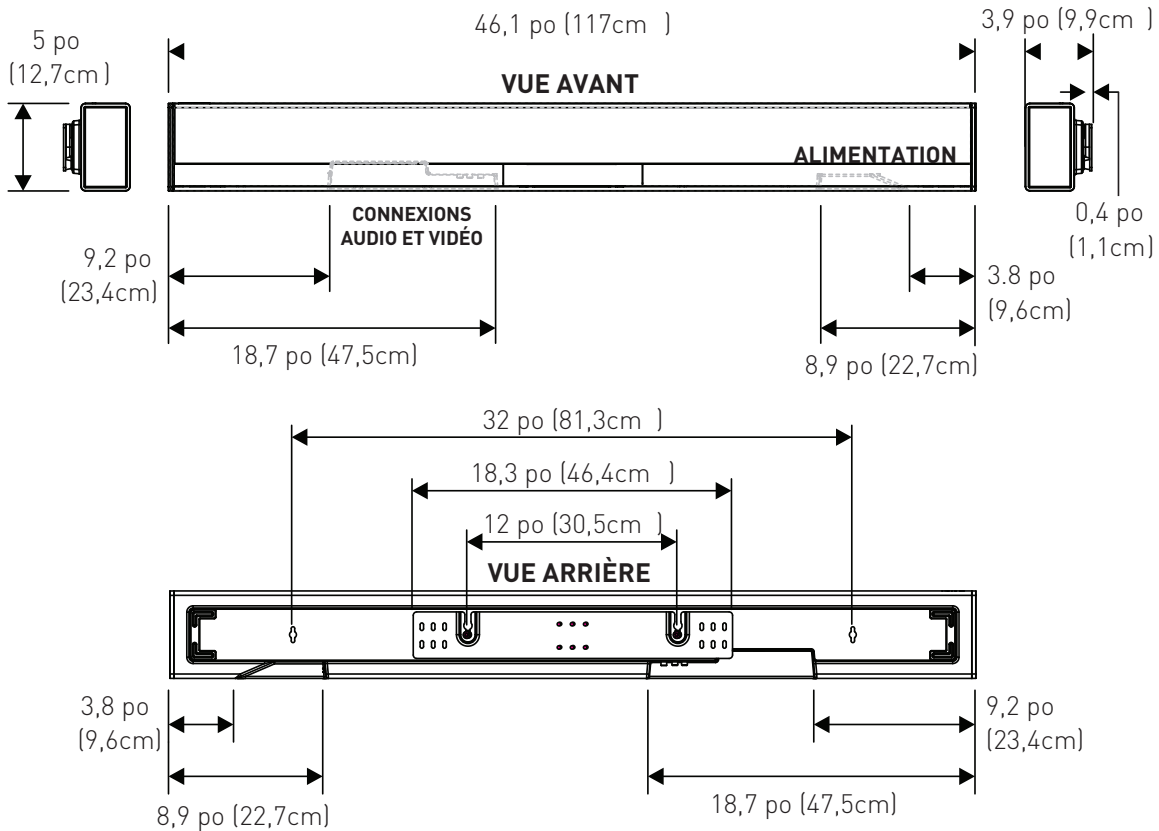
- Montez le volume du caisson de sous-graves.
- Réglez le niveau des graves dans le système de menu de la barre de son.
- Essayez de déplacer le caisson de sous-graves dans la salle d'écoute.

Mon barre de son ne réagit pas comme elle le devrait

- Éteignez et allumez la barre de son à l'aide de la télécommande ou du bouton Power du panneau de commande.
- Débranchez la barre de son, attendez 30 secondes et rebranchez-la.

DESSINS DIMENSIONNELS

CONFIGURATION DE MONTAGE MURAL



DESSINS DIMENSIONNELS

CONFIGURATION DE MONTAGE SUR UNE TABLE

