

REVO.

SUPERSERIES

PRODUCT RANGE



2017/18



reddot award
winner



ENGINEERING
AUDIO

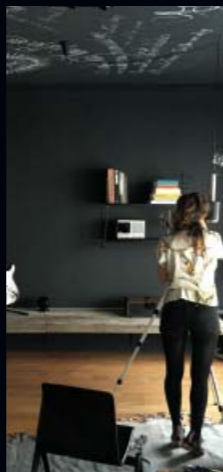
The art of design, the science of acoustics.

Driven by function and quality, our products blend the highest design principles with the latest digital audio technology, each designed to leave a lasting impression and to stand the test of time.

Founded in 2004 and headquartered in the small market town of Lanark, Scotland, Revo is a pioneer in digital radio and audio streaming and the recipient of multiple Red Dot and iF product design awards.

Revo products are sold in 20 countries worldwide.

**BEAT THEM!
FOREVER
AND EVER**
we can be heroes. For ever and



Four days in Berlin

The photographs in this brochure were shot over the course of four beautiful early summer days in the Mitte borough of Berlin.

We've always loved the German capital, from the earliest days of Revo we've taken every opportunity to visit, always hitting Rum Trader for late night drinks, Alpenstück on Gartenstrasse for schnitzel.

Our design philosophy carries a distinctly German flavour, influenced by the work and principles of the acclaimed industrial designer Dieter Rams and his work at Braun, Berlin therefore seemed like the obvious choice for our first international photo session.

The fruits of our labour can be found throughout this brochure, which we dedicate to the people and places of the city of Berlin.

View our "The Berlin Sessions" video clip at :
www.vimeo.com/190143008





SUPERCD



SUPERCD



SuperCD | American Walnut & Silver Anodised Aluminium
S1 Audio Table | American Walnut



American Walnut & Black Anodised Aluminium |

SUPERCD

SuperCD combines the widest possible array of functionality and audio format compatibility to create the ultimate one-box music system. Blessed with the timeless good-looks and material quality of its SuperSeries siblings, SuperCD appeals to both traditionalists and technology enthusiasts alike.

Access to tens of thousands of radio stations from far and near, multi-format CD playback, an almost limitless supply of audio tracks from Spotify, high quality wireless Bluetooth streaming and multiroom audio capabilities, all controllable via a specially designed app for iOS or Android devices.

SuperCD is equipped to receive a wide range of radio standards including DAB, DAB+, FM with RDS and wi-fi internet radio – providing access to over 30,000 stations from around the world. A vertical slot-loading CD player sits at the centre of this design, catering for followers of the ever-popular physical music format. Network audio and WLAN technology enables wireless audio playback from external computers and music servers, Bluetooth® with Qualcomm® aptX™ delivers high quality streaming from smartphones, tablets etc., and Spotify Connect completes the picture by unlocking over 30 million tracks from the Spotify archive in the cloud.

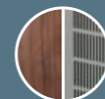
SuperCD is hand-crafted using the finest materials and components, its all-wood cabinet with anodised aluminium and mild steel fascia and backplate compliment its advanced electronics beautifully. A detailed graphical OLED display and joystick control add a touch of modernity, while its twin 3.5" BMR speaker drivers deliver 40W of room-filling digital audio, rich in bass, clarity and detail, with an expansive sound field - a hallmark of our SuperSeries range.

- ▶ DAB/DAB+, internet radio and FM
- ▶ Bluetooth with Qualcomm aptX

- ▶ Multi-format slot-loading CD
- ▶ Spotify Connect & Network Audio

- ▶ 40 watt Class-D amp & BMR drivers
- ▶ UNDOK Multiroom capability
- ▶ iOS and Android control app

Available Finishes



Walnut
Silver



Walnut
Black



.....
SUPERCONNECT



SUPERCONNECT

*“Not many radios we review manage to impress on so many fronts...
Design, ease of use and sound quality - the Revo has it all.”*

WHAT HI-FI?
SOUND AND VISION
AWARDS 2017
BEST RADIO £200+

| American Walnut & Silver Anodised Aluminium



reddot award
winner



American Walnut & Black Anodised Aluminium |

SUPERCONNECT

Functionalism meets craft and technology, a next-generation audio device that beats at the heart of your musical ecosystem, providing whatever soundtrack you need. Radio from around the globe, access to your personal music collection or an almost limitless supply of songs from the world's leading music streaming service. Thanks to the inclusion of UNDOK technology, music can be wirelessly distributed to other compatible devices in your home to establish a sophisticated multiroom audio environment, all controllable via a specially designed app for iOS or Android devices.

SuperConnect is equipped to receive a wide range of radio standards including DAB, DAB+, FM with RDS and wi-fi internet radio - providing access to over 30,000 stations from around the world. SuperConnect's ability to communicate with external devices and services is unrivalled. Network audio and WLAN technology enables wireless audio playback from external computers and music servers, Bluetooth® with Qualcomm® aptX™ delivers CD quality streaming from smartphones, tablets etc., and Spotify Connect completes the proposition by unlocking over 30 million tracks from the Spotify archive.

SuperConnect is available in five distinct colour combinations, each with an all-wood cabinet, anodised aluminium and mild steel fascia and backplate. A graphical OLED display and joystick control add a touch of modernity, while patented audio electronics and BMR driver technology deliver 15W of clear digital audio with clarity and deep, rich bass.

- ▶ DAB/DAB+, internet radio and FM
- ▶ Spotify Connect & Network Audio

- ▶ 15 watt Class-D amp & BMR driver
- ▶ UNDOK Multiroom capability

- ▶ Bluetooth with Qualcomm aptX
- ▶ iOS and Android control app

Available Finishes



Walnut
Silver



Matt White
Silver



Walnut
Black



Matt Black
Silver



Shadow
Edition



.....
SUPERSYSTEM



SUPERSYSTEM

“Super by name, super by nature.”

WHAT HI-FI?
SOUND AND VISION
AWARDS 2017
BEST SYSTEM



Matt Black & Silver Anodised Aluminium |



reddot award
winner



Matt White & Silver Anodised Aluminium |

SUPERSYSTEM

SuperSystem is a thoroughly modern music system, combining traditional values of craftsmanship and material integrity with next-generation all-digital technology, superlative room-filling acoustic performance and award-winning industrial design.

SuperSystem has all the bases covered. Radio from around the globe, access to your personal music collection or an almost limitless supply of songs from the world's leading music streaming service. Thanks to the inclusion of UNDOK technology, music can be wirelessly distributed to other compatible devices in your home to establish a sophisticated multiroom audio environment, controllable via an app for iOS or Android devices.

SuperSystem is equipped to receive a wide range of radio standards including DAB, DAB+, FM with RDS and wi-fi internet radio – providing access to over 30,000 stations from around the world. But the music doesn't stop there – SuperSystem's ability to communicate with external devices and services is unrivalled. Network audio and WLAN technology enables wireless audio playback from external computers and music servers, Bluetooth® with Qualcomm® aptX™ delivers CD quality streaming from smartphones/tablets and Spotify Connect completes the proposition by unlocking over 30 million tracks from the Spotify archive.

SuperSystem is crafted using the finest materials and components, its all-wood cabinet with anodised aluminium and mild steel fascia and backplate compliment its advanced electronics beautifully. A detailed graphical OLED display and joystick control add a touch of modernity, while twin 3.5" BMR speaker drivers and integrated active subwoofer deliver 80W of clear room-filling digital audio with pin-sharp clarity and deep, satisfying bass.

- ▶ DAB/DAB+, internet radio and FM
- ▶ Spotify Connect & Network Audio

- ▶ 80 watt Class-D amp & BMR drivers
- ▶ UNDOK Multiroom capability

- ▶ Bluetooth with Qualcomm aptX
- ▶ iOS and Android control app

Available Finishes



Walnut
Silver



Matt White
Silver



Walnut
Black



Matt Black
Silver



Shadow
Edition



SUPERSIGNAL



SUPERSIGNAL

"Visual appeal and superb audio ability mean the SuperSignal is a radio to be reckoned with."



| Matt White & Silver Anodised Aluminium



American Walnut & Black Anodised Aluminium |

SUPERSIGNAL

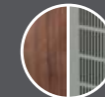
SuperSignal shares the functionalist design philosophy and uncompromising quality ethos that is our hallmark, ensuring that it is truly a product without equal in the compact digital radio category.

SuperSignal is equipped to receive DAB/DAB+ broadcasts, as well as traditional FM with RDS. Bluetooth® support is also included, meaning users can wirelessly stream music from their smartphone, tablet or other Bluetooth® enabled device, including laptops – with no physical docking necessary. The addition of Qualcomm® aptX™ means that where supported by the transmitting device, streaming music will be at CD quality rather than the lower bit rate MP3 quality of standard Bluetooth®. SuperSignal includes sophisticated alarm clock functionality including dual alarms, Sleep and Touch-Snooze activated by simply touching the radio's aluminium grille.

SuperSignal's wooden cabinet is clad in a choice of furniture-grade American walnut veneer or premium quality matt paint finishes, while anodised aluminium and mild steel components provide a reassuringly tactile quality. A detailed graphical OLED display and joystick control add a touch of modernity, while patented audio electronics and BMR driver technology deliver 12W of clear digital audio with clarity and deep rich bass.

- ▶ DAB/DAB+ radio
- ▶ FM radio with RDS
- ▶ BMR flat diaphragm loudspeaker
- ▶ Bluetooth with Qualcomm aptX
- ▶ Alarm clock with Sleep & Snooze
- ▶ 12 watt via Class-D amplifier

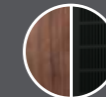
Available Finishes



Walnut
Silver



Matt White
Silver



Walnut
Black



Matt Black
Silver



Shadow
Edition



SUPERTONE



SUPERTONE

WHAT HI-FI?

★ Stars of CES | 2017 ★



SuperTone | American Walnut & Silver Anodised Aluminium
S1 Audio Table | American Walnut



American Walnut & Black Anodised Aluminium |

SUPERTONE

In a plastic world of endless and seemingly semi-disposable Bluetooth® speaker products, SuperTone is an oasis, delivering a timeless mix of authenticity, quality materials and acclaimed acoustic engineering.

Its mid-century inspired design belies the cutting-edge audio electronics that lie within its handsome hand-crafted American walnut casework. The use of high quality anodised T6 aluminium for the front fascia and speaker grille, pressing steel for the back plate, and CNC machined aluminium bass, treble and volume controls further inject a reassuring tactility and sense of honesty that cannot be achieved with lesser materials.

Beating at the acoustic heart of the system is an 80 watt Class-D amplifier, twin 3.5" BMR flat-panel speakers and a 6" ported subwoofer. Acoustically engineered to provide the soundtrack in spaces large and small, SuperTone creates rich digital audio, tight controlled bass and an extended listening sweet-spot. Perfect for a wide range of musical styles, from rock and jazz to R&B, acoustic and spoken word, all rendered with a richness that leaves a lasting impression.

Alongside wireless Bluetooth® connectivity with Qualcomm® aptX™, SuperTone is equipped with a large array of physical connectors including 3.5mm headphone jack, AUX-IN, digital optical in and stereo RCA in, allowing connection of a variety of devices including CD players, turntables and Sonos equipment. SuperTone even includes a USB connector to allow simultaneous charging of your smartphone or tablet device.

- ▶ Bluetooth 4.2 with Qualcomm aptX
- ▶ 80 watt Class-D amplifier
- ▶ 40 watt subwoofer
- ▶ Twin flat panel BMR speaker drivers
- ▶ USB device charging
- ▶ Extensive connectivity options

Available Finishes



Walnut
Silver



Walnut
Black



Recognition



techradar.

"Not many radios we review manage to impress on so many fronts... design, ease of use and sound quality - the Revo has it all. Super by name, Super by nature."

"The Revo SuperSystem is exactly that - a super system for listening to pretty much anything you like."

"The Revo SuperSignal is a brilliant bedside radio. The Bluetooth tech is well implemented and the sound quality is consistently excellent."



reddot award winner



Radio of the year for Norway, Sweden & Denmark



product design award

2009 | 2011



"Revo's got a near-flawless record when it comes to home audio"



"A superb sounding radio that covers all the bases and more. Five Stars & Best Buy"



"The SuperSystem is the one-box unit that manages to get closest to achieving the sound of a dedicated separate speaker system in terms of scale and impact."



"SUPER-CHARGED - Tune-in, listen-up... and let the music wash over you"



"SuperConnect's strengths are many... we give it our unreserved recommendation."



"Visual appeal and superb audio ability mean the SuperSignal is a radio to be reckoned with."

S1 AUDIOTABLE

A collaboration between Revo and product design studio ByAlex, the S1 Audio table has been specially designed to compliment our SuperSystem, SuperCD and SuperTone products, providing handsome support, optimised for sound quality.

The S1 Audio Table features a unique (and optional) headphone hook located under the tabletop, providing a convenient location to store headphones when not in use. S1 ships with a choice of felt feet or spikes for hard and soft floor types.

Manufactured in the EU and crafted from solid timber, the S1 Audio Table is supplied flat-packed for easy self-assembly and is available in a choice of walnut or black oak finishes.

Dimensions

55cm high, 50cm wide and 32cm deep
21.65" high, 19.7" wide and 12.6" deep

The use of spikes add 2cm or 0.8" to the table height.

Available finishes



American Walnut



Black Oak



FELT FEET FOR HARD FLOORS



OPTIONAL HEADPHONE SUPPORT



OPTIMISED FOR SOUND



WALNUT PLYWOOD TABLETOP



SPIKES FOR CARPETED FLOORS



SuperSeries Acoustics

The award-winning audio characteristics of our SuperSeries products are the result of a considered blend of the finest electronic, acoustic and software design. The finest audio components, all-digital technology, cutting-edge sound modelling techniques and a carefully engineered bass porting system combine to deliver category defining performance.



BMR

BMR (Balanced Mode Radiator) speaker drivers utilise flat diaphragm transducer technology and combine the performance attributes of a flat panel speaker with the pistonic movement of a conventional loudspeaker, resulting in a high performance compact drive unit that develops wide dispersion and an expanded sweet spot.



EQ

Our engineers utilise advanced sound modelling techniques to design the award-winning sound profiles used in our SuperSeries models. In tandem with our custom hardware design, our proprietary EQ configurations develop a warm open sound with clarity, detail and deep rich bass - free from coloration and distortion and benefiting from an expansive sound field.



CABINET

A hand-crafted wooden cabinet has been selected for its superb acoustic properties, no other material provides the deep foundations of great audio performance like wood.

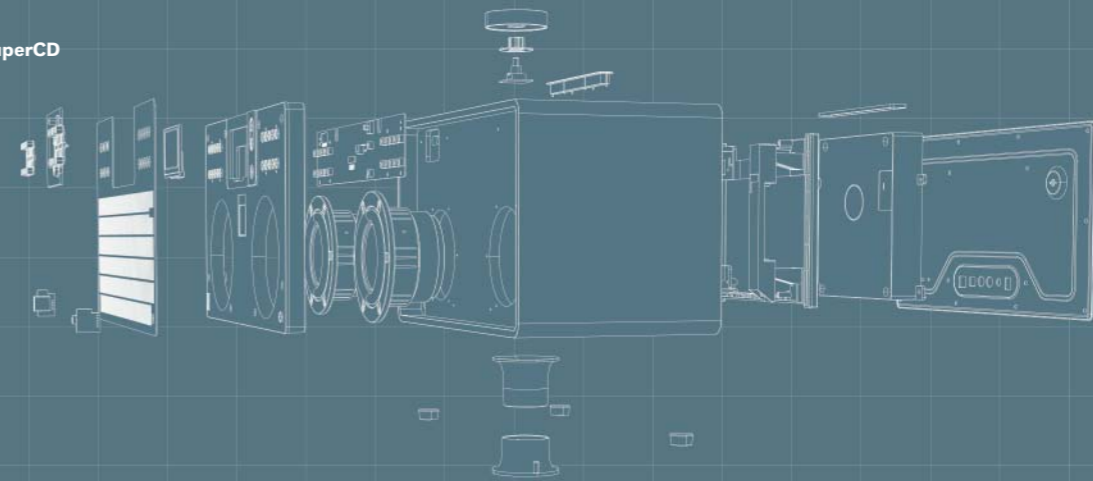


AMPLIFICATION

All-digital Class-D amplifiers.



SuperCD



DIMENSIONS

33,5 x 20 x 18 cm
13.2 x 7.9 x 7 in



WEIGHT

5.3 kg
11.7 lbs



MATERIALS

Real wood veneers, MDF, anodised aluminium and mild steel



SPEAKER DRIVER

2 x 3.5 in BMR flat diaphragm transducer



AMPLIFIER

40 watt Class-D



DISPLAY

2.7 in graphical OLED



CONTROL

Joystick-based user interface, infrared remote and iOS & Android app



CD

Vertical slot-loading mechanism, CD, CD-R and CD-RW compatible



RADIO

DAB/DAB+, internet radio and FM with RDS



MULTIROOM

UNDOK multiroom enabled with connectivity for up to 5 devices



WIRELESS CONNECTIVITY

Wi-Fi radio, UNDOK multiroom, Bluetooth® 4.1 with Qualcomm aptX, Spotify Connect and Network Audio



ALARM

Dual alarm memory with Sleep function and touch-panel Snooze



AUDIO CODECS

AAC, AAC+, MP3, WAV, WMA and FLAC



CONNECTORS

3.5mm headphone, digital optical-out, AUX-IN, stereo RCA out, USB for device charging and software update port



POWER CONSUMPTION

Typical maximum in operation 36.4 watts
Standby 0.46 watts



PSU

Multi-country power unit: UK, Euro, U.S. and Australasian

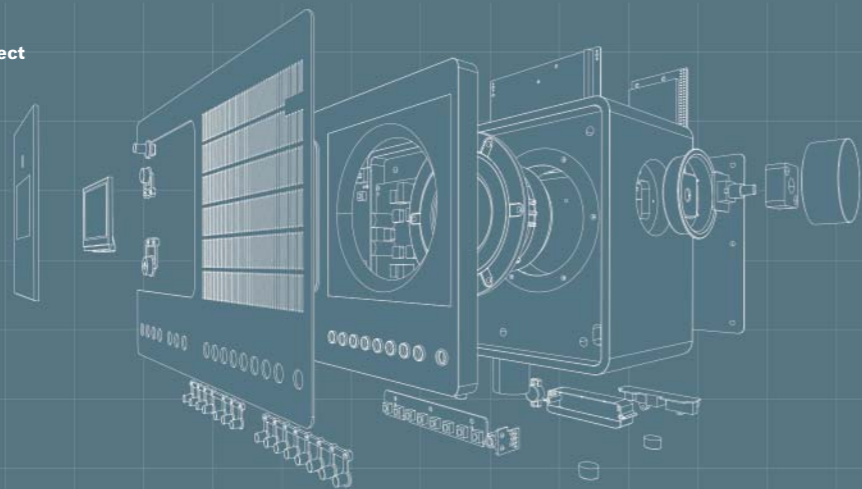


IN THE BOX

SuperCD music system, infrared remote control, owner's guide, screen cleaning cloth and multi-country PSU



SuperConnect



DIMENSIONS
27 x 18 x 12 cm
10.6 x 7.1 x 4.7 in



WEIGHT
2.8 kg
6 lbs



MATERIALS
Real wood veneers, MDF, anodised aluminium and mild steel



SPEAKER DRIVER
3.5 in BMR flat diaphragm transducer



AMPLIFIER
15 watt Class-D



DISPLAY
2.7 in graphical OLED



CONTROL
Joystick-based user interface, infrared remote and iOS & Android app



RADIO
DAB/DAB+, internet radio and FM with RDS



MULTIROOM
UNDOK multiroom enabled with connectivity for up to 5 devices



WIRELESS CONNECTIVITY
Wi-Fi radio, UNDOK multiroom, Bluetooth 4.1 with Qualcomm aptX, Spotify Connect and Network Audio



ALARM
Dual alarm memory with Sleep function and touch-panel Snooze



AUDIO CODECS
AAC, AAC+, MP3, WAV, WMA and FLAC



CONNECTORS
3.5mm headphone, AUX-IN, optical out and stereo RCA



POWER CONSUMPTION
Typical maximum in operation 16.8 watts
Standby 0.8 watts



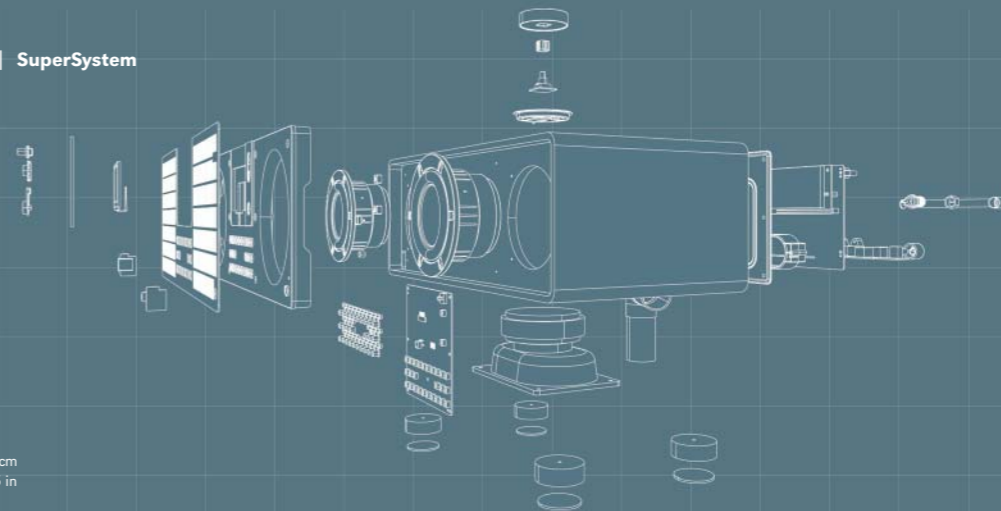
PSU
Multi-country power unit: UK, Euro, U.S. and Australasian



IN THE BOX
SuperConnect radio, infrared remote control, owner's guide, screen cleaning cloth and multi-country PSU



SuperSystem



DIMENSIONS
43 x 22 x 16.5 cm
16.9 x 8.7 x 6.5 in



WEIGHT
9.8 kg
21.6 lbs



MATERIALS
Real wood veneers, MDF, anodised aluminium and mild steel



SPEAKER DRIVER
2 x 3.5 in BMR flat diaphragm transducer
1 x 5.25 in 50 watt subwoofer



AMPLIFIER
80 watt Class-D



DISPLAY
2.7 in graphical OLED



CONTROL
Joystick-based user interface, infrared remote and iOS & Android app



RADIO
DAB/DAB+, internet radio and FM with RDS



MULTIROOM
UNDOK multiroom enabled with connectivity for up to 5 devices



WIRELESS CONNECTIVITY
Wi-Fi radio, UNDOK multiroom, Bluetooth 4.1 with Qualcomm aptX, Spotify Connect and Network Audio



ALARM
Dual alarm memory with Sleep function and touch-panel Snooze



AUDIO CODECS
AAC, AAC+, MP3, WAV, WMA and FLAC



CONNECTORS
3.5mm headphone, optical-in/out, wired LAN, USB playback and device charging, update port, AUX-IN and stereo RCA out



POWER CONSUMPTION
Maximum in operation 48.64 watts
Standby 0.758 watts



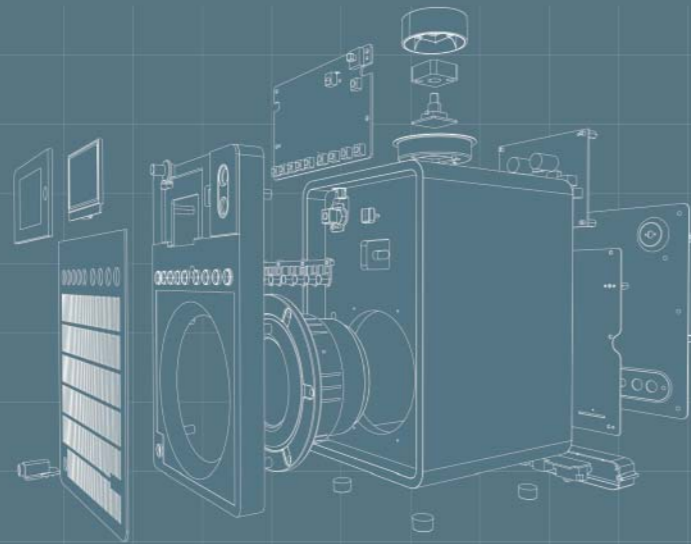
PSU
Multi-country power unit: UK, Euro, U.S. and Australasian



IN THE BOX
SuperSystem, infrared remote control, owner's guide, screen cleaning cloth and multi-country PSU



SuperSignal



DIMENSIONS
13.5 x 21 x 14 cm
5.3 x 8.3 x 5.5 in



WEIGHT
2.3 kg
5 lbs



MATERIALS
Real wood veneers, MDF, anodised aluminium and mild steel



SPEAKER DRIVER
3.5 in BMR flat diaphragm transducer



AMPLIFIER
12 watt Class-D



DISPLAY
2.4 in graphical OLED



CONTROL
Joystick-based user interface, infrared remote and iOS & Android app



RADIO
DAB/DAB+ and FM with RDS



WIRELESS CONNECTIVITY
Bluetooth® 4.1 with Qualcomm® aptX™



ALARM
Dual alarm memory with Sleep function and touch-panel Snooze



CONNECTORS
3.5mm headphone, AUX-IN, stereo RCA and software update port



POWER CONSUMPTION
Maximum in operation 17.87 watts
Standby 0.67 watts



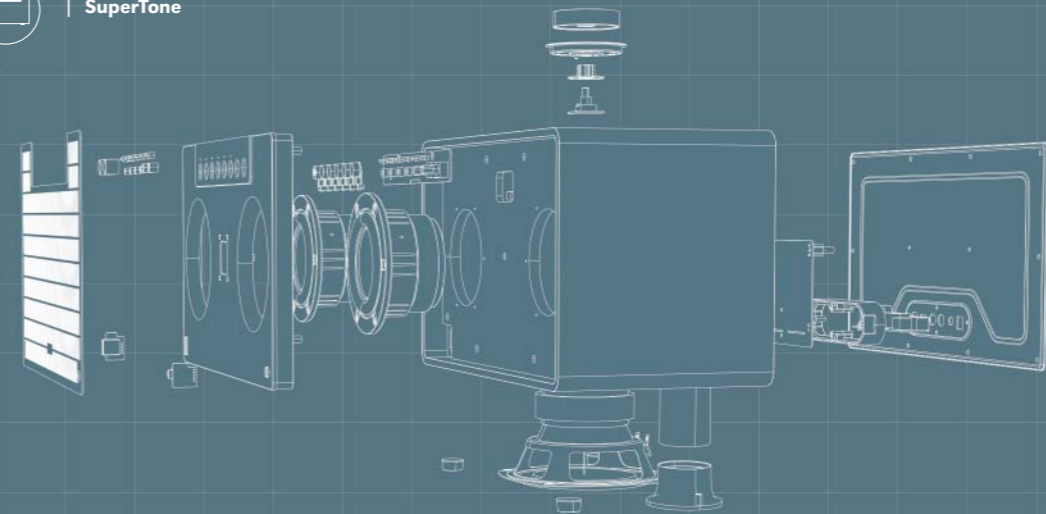
PSU
Multi-country power unit: UK, Euro, U.S. and Australasian



IN THE BOX
SuperSignal radio, infrared remote control, owner's guide, screen cleaning cloth and multi-country PSU



SuperTone



DIMENSIONS
34 x 21.5 x 18 cm
13.4 x 8.5 x 7.1 in



WEIGHT
5.6 kg
12.35 lbs



MATERIALS
Real wood veneers, MDF, anodised aluminium and mild steel



SPEAKER DRIVER
2 x 3.5 in BMR flat diaphragm transducer
1 x 6 in 40 watt subwoofer



AMPLIFIER
80 watt Class-D



DISPLAY
LED mode indicators



WIRELESS CONNECTIVITY
Bluetooth® 4.2 with Qualcomm® aptX™



CONNECTORS
3.5mm headphone, digital optical-in, USB device charging, update port, AUX-IN and stereo RCA out



POWER CONSUMPTION
Maximum in operation 51.8 watts
Standby 0.46 watts



PSU
Multi-country power unit: UK, Euro, U.S. and Australasian



IN THE BOX
SuperTone wireless speaker, owner's guide, cleaning cloth and multi-country PSU



ACE HOTEL, LONDON | UK



ROSA ET AL, PORTO | PORTUGAL



EPIPHANY, PALO ALTO | USA



SHOREDITCH HOUSE | LONDON



ACE HOTEL, PANAMA CITY | PANAMA



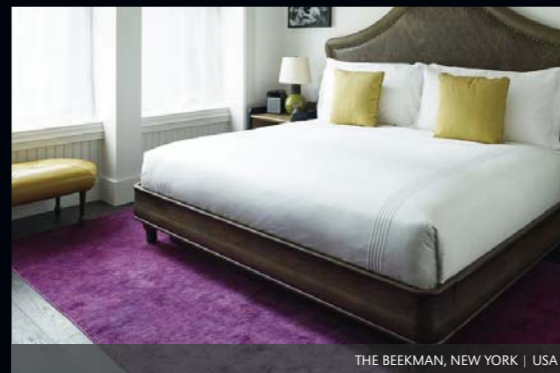
GRAND PIGALLE, PARIS | FRANCE



CHICAGO ATHLETIC ASSOCIATION, CHICAGO | USA



WYTHE HOTEL, NEW YORK | USA



THE BEEKMAN, NEW YORK | USA



HENRIETTA, LONDON | UK



CARMEL RANCH, CARMEL | USA

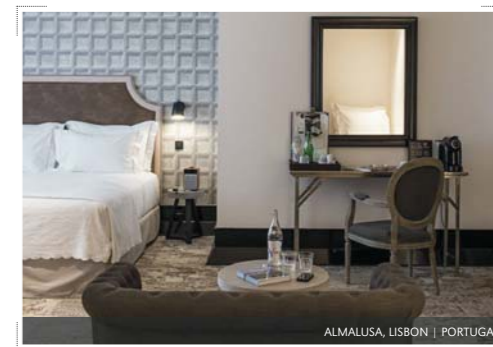
We provide the soundtrack

Making suite music

Revo audio devices are at home in some of the world's finest hotel rooms and suites, wherever quality and thoughtful, timeless design is appreciated.

From the restored glory of the 241 room Chicago Athletic Association on Michigan Avenue, to the refined opulence of the 37 room Grande Pigalle in Paris, Revo products make a quiet yet striking aesthetic statement.

For a comprehensive list of hotels that feature Revo products in their rooms and suites, please visit www.revo.co.uk/hospitality



ALMALUSA, LISBON | PORTUGAL

Interested in Revo for your hotel project?
Contact hospitality@revo.co.uk



Chicago Athletic Association
CHICAGO, USA
www.chicagoathletichotel.com

NOBU HOTEL

Nobu Hotel
PALO ALTO, USA
www.nobuhotels.com



Two Bunch Palms
PALM SPRINGS, USA
www.twobunchpalms.com

Our Partners



Wythe Hotel
NEW YORK, USA
www.wythehotel.com



Schwarzschild
LANA, ITALY
www.schwarzschild.com/en



Ace Hotel
LONDON | LA | PANAMA
www.acehotel.com



THE LANGHAM

The Langham
SHANGHAI, CHINA
www.langhamhotels.com



The Henrietta Hotel
LONDON, ENGLAND
www.henriettahotel.com

THE EPIPHANY

Epiphany
PAOLO ALTO, USA
www.jdvhotels.com



THE ARCH
LONDON

The Arch
LONDON, ENGLAND
www.thearchlondon.com



THE SANDY DUCK

The Sandy Duck
FALMOUTH, ENGLAND
www.thesandyduck.co.uk



The Explorers Society
REVELSTOKE, BC, CANADA
www.explorers-society.com



THE BEEKMAN
A THOMPSON HOTEL

The Beekman
NEW YORK, USA
www.thebeekman.com

NORTH BRIDGE LOFTS

North Bridge Lofts
EDINBURGH, SCOTLAND
www.northbridgelofts.com



Almalusa
LISBON, PORTUGAL
www.almalusahotels.com

WITT HOTELS
ISTANBUL SUITES

Witt
ISTANBUL, TURKEY
www.wittistanbul.com



CARMEL VALLEY RANCH

Carmel Valley Ranch
CARMEL, USA
www.carmelvalleyranch.com



www.revo.co.uk

REVO

The Inox Building Lanark
Scotland UK ML11 7SR

+44 (0) 1555 666 161

enquiries@revo.co.uk



www.instagram.com/follow_revo



www.facebook.com/revotechnologies



www.twitter.com/followrevo