



USER MANUAL

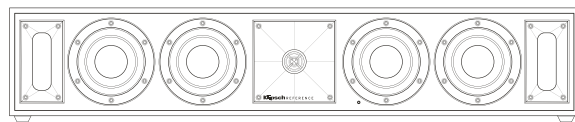
Klipsch[®]
REFERENCE[™]
WIRELESS



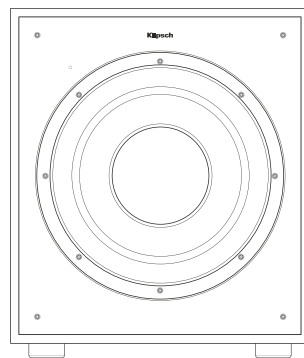
REFERENCE WIRELESS



RW-51M



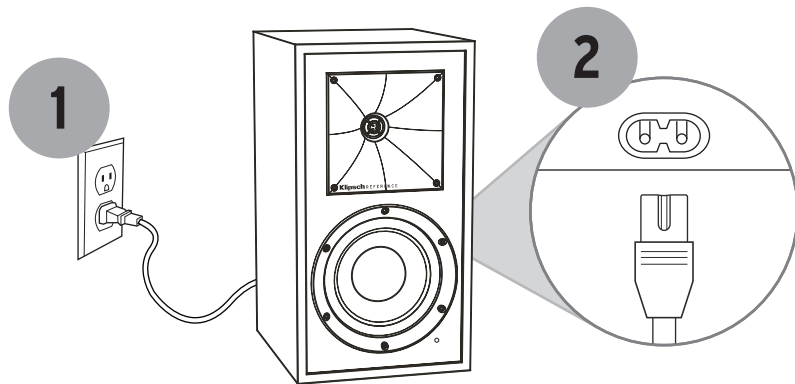
RW-34C



RW-100SW

SETUP

INSTALLATION • CONFIGURACIÓN • INSTALLATION • APPONTAMENTO • INSTALAÇÃO • 设置 • التركيب



REPEAT FOR EVERY SPEAKER

RÉPÉTEZ POUR CHAQUE HAUT-PARLEUR
REPETIR PARA CADA ALTAVOZ
FÜR JEDEN LAUTSPRECHER WIEDERHOLEN
RIPETERE PER OGNI ALTOPARLANTE
REPETIR PARA CADA CAIXA ACÚSTICA
对于每只音箱，都重复此步骤。
كرر لكل مكبرات الصوت

LED SOLID = CONNECTED

DEL CONTINUE = CONNECTÉ
INDICADOR LED FIJO = CONECTADO
LED DAUERHAFT = VERBUNDEN
LED ACCESO A LUCE FISSA = COLLEGATO
LED ACESO = CONECTADO
LED 常亮 = 已连接
مؤشر LED ثابت = متصل

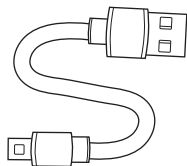
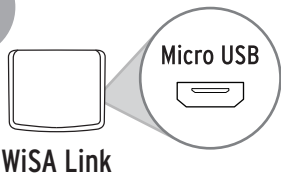
LED FLASHING = NOT CONNECTED

DEL CLIGNOTE = NON CONNECTÉ
INDICADOR LED DESTELLANDO = NO CONECTADO
LED BLINKT = NICHT VERBUNDEN
LED LAMPEGGIANTE = NON COLLEGATO
LED INTERMITENTE = NÃO CONECTADO
LED 闪烁 = 未连接
مؤشر LED وامض = غير متصل

LED OFF = WISA Hub / Link OFF

DEL ÉTEINTE = WISA Hub / Link DÉSACTIVÉ
INDICADOR LED APAGADO = WISA Hub / Link APAGADO
LED AUS = WISA Hub / Link AUS
LED SPENTO = WISA Hub / Link DISATTIVATO
LED APAGADO = WISA Hub / Link DESLIGADO
LED 关闭 = WISA Hub / Link 关闭
مؤشر LED مطفأ = مركز التحكم عالي النقة متوقف عن التشغيل

3



USB



4

FOLLOW ON-SCREEN INSTRUCTIONS

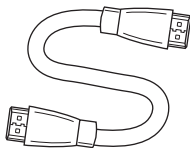
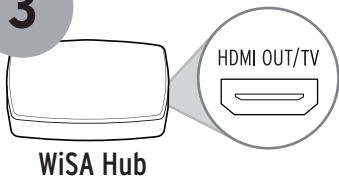
SUIVRE LES INSTRUCTIONS SUR L'ÉCRAN
 SIGA LAS INSTRUCCIONES EN PANTALLA
 BILDSCHIRMANWEISUNGEN BEFOLGEN
 SEGUIRE LE ISTRUZIONI SULLO SCHERMO
 SIGA AS INSTRUÇÕES EXIBIDAS NA TELA
 按照屏幕上的说明操作。

اتبع التعليمات التي تظهر على الشاشة

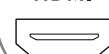
OR

- OU - O - ODER - O - OU - 要么 - أو -

3



HDMI



4

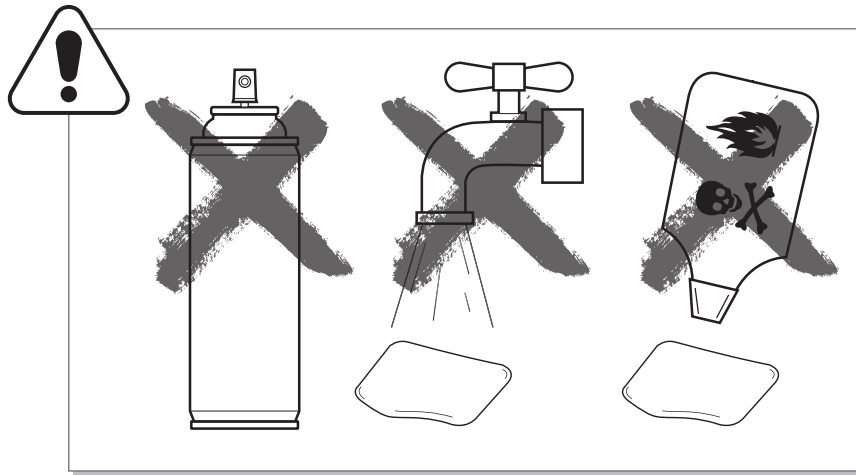
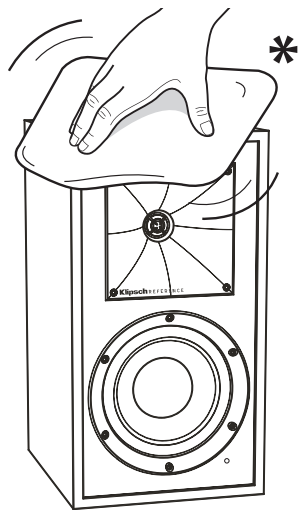
FOLLOW ON-SCREEN INSTRUCTIONS

SUIVRE LES INSTRUCTIONS SUR L'ÉCRAN
 SIGA LAS INSTRUCCIONES EN PANTALLA
 BILDSCHIRMANWEISUNGEN BEFOLGEN
 SEGUIRE LE ISTRUZIONI SULLO SCHERMO
 SIGA AS INSTRUÇÕES EXIBIDAS NA TELA
 按照屏幕上的说明操作。

اتبع التعليمات التي تظهر على الشاشة

CARE AND CLEANING

ENTRETIEN ET NETTOYAGE • CUIDADO Y LIMPIEZA • PFLEGE UND REINIGUNG • CURA E PULIZIA • CUIDADOS E LIMPEZA • 保养与清洁 • العناية والتنظيف



* USE MICROFIBER CLOTHS ONLY

*Utilisez des chiffons en microfibrés seulement

*Use solamente paños de microfibra

*Nur Mikrofasertücher verwenden

*Usare solo panni in microfibra

*Use somente tecidos de microfibra

*仅限使用超细纤维布

* استخدم قطع قماش من الألياف المايكروفايبر فقط



**For more in-depth information
and troubleshooting instructions visit
[KLIPSCH.COM/SUPPORT/REFERENCE-WIRELESS](https://www.klipsch.com/support/reference-wireless)**

Pour plus d'informations et des instructions de dépannage détaillées, consultez
[klipsch.com/support/reference-wireless](https://www.klipsch.com/support/reference-wireless)

Hay información más detallada e instrucciones de detección y reparación de averías en
[klipsch.com/support/reference-wireless](https://www.klipsch.com/support/reference-wireless)

Detailliertere Anweisungen und Hinweise zur Problembeseitigung finden Sie unter
[klipsch.com/support/reference-wireless](https://www.klipsch.com/support/reference-wireless)

Per informazioni più dettagliate e istruzioni per la soluzione dei problemi, visitare
[klipsch.com/support/reference-wireless](https://www.klipsch.com/support/reference-wireless)

Para obter informações mais detalhadas e instruções para solucionar problemas, visite o
[klipsch.com/support/reference-wireless](https://www.klipsch.com/support/reference-wireless)

欲了解更详细的信息和故障排除说明，请访问
[klipsch.com/support/reference-wireless](https://www.klipsch.com/support/reference-wireless)。

لمزيد من المعلومات المستفيضة وتعليمات تحري الخلل وإصلاحه، تفضل بزيارة
[klipsch.com/support/reference-wireless](https://www.klipsch.com/support/reference-wireless)



Klipsch®

KEEPERS OF THE SOUND®

3502 WOODVIEW TRACE, INDIANAPOLIS, IN, USA

KLIPSCH.COM

V01 - 010319



KLIPSCH CORPORATE OFFICE: 3502 WOODVIEW TRACE, INDIANAPOLIS, IN USA 46268-1104 A WHOLLY-OWNED SUBSIDIARY OF VOXX INTERNATIONAL CORPORATION KLIPSCH.COM 1-800-KLIPSCH ©2018 KLIPSCH GROUP, INC. ALL RIGHTS RESERVED. KLIPSCH AND KEEPERS OF THE SOUND ARE REGISTERED TRADEMARKS OF KLIPSCH GROUP, INC. IN THE USA AND OTHER COUNTRIES. ENGINEERED BY KLIPSCH GROUP, INC., USA. MADE IN CHINA. KLIPSCH GROUP EUROPE B.V., KAPTEYNSTRAAT 1, 2201 BB NOORDWIJK, THE NETHERLANDS.