

Luxman

VACUUM TUBE INTEGRATED AMPLIFIER

SQ-38u

Owner's Manual

Contents

Precautions	1
Names and Functions.....	2
Connections and Connection Diagram	6
Operations.....	8
How to Use Remote Control.....	9
SQ-38u Block Diagram.....	10
Specifications	11
Before Asking for Repair Services.....	12

Installation place

This product shall be installed in a well-ventilated and effectively heat-released place.

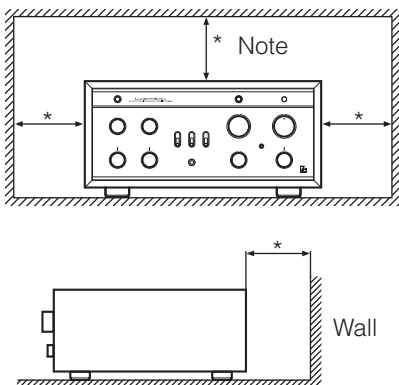
Especially, installation of this product where direct sunlight is present, where the temperature rises excessively high such as close to a heater, or where it is humid or dusty may cause a malfunction even if heat is efficiently released. Therefore, do not install this unit in such places.

Ventilation holes

Do not block the top and bottom faces because this product is a heat-generating amplifier that contains vacuum tubes. If the amplifier is installed on a rack or the like, secure ample space for cooling and leave the door open. Do not pile up other things on the amplifier and never put articles on it. Failure to observe this may cause a malfunction.

Note:

For heat dispersal, do not install this equipment in a confined space such as a book case or similar unit.



Precautions in connecting with other components

When connecting this product to input devices such as a CD/DVD player and a tuner, be sure to turn off the power of this product and all other connected devices. Failure to observe this may generate a strong noise resulting in speaker damage or cause a malfunction.

The pin-plug to be inserted in each input terminal of this product shall be pushed in firmly. If the grounding terminal is inadequately connected, noises including hum may be generated, resulting in an adverse S/N ratio.

Cautions in connecting speakers

When making speaker system connections, exercise extra care not to short-circuit between \oplus and \ominus of the speaker terminals and speaker input terminals of this product. If a signal is applied to the amplifier with its circuit left short-circuited, a large current may be passed through the output circuit and cause a malfunction.

The sound is not generated immediately after the power supply is turned on.

This amplifier is equipped with a time muting circuit in order to separate the output circuit. Therefore, no sound is generated immediately after the power supply is turned on.

If the volume control of the amplifier is moved to a high sound level before the time muting circuit is canceled, a large sound is suddenly generated. Please be advised that the volume control shall be set to a low level at first and adjusted after sound comes out of the speakers.

Batteries

Caution:

Batteries used for remote controller shall not be exposed to excessive heat such as sunshine, fire or the like.

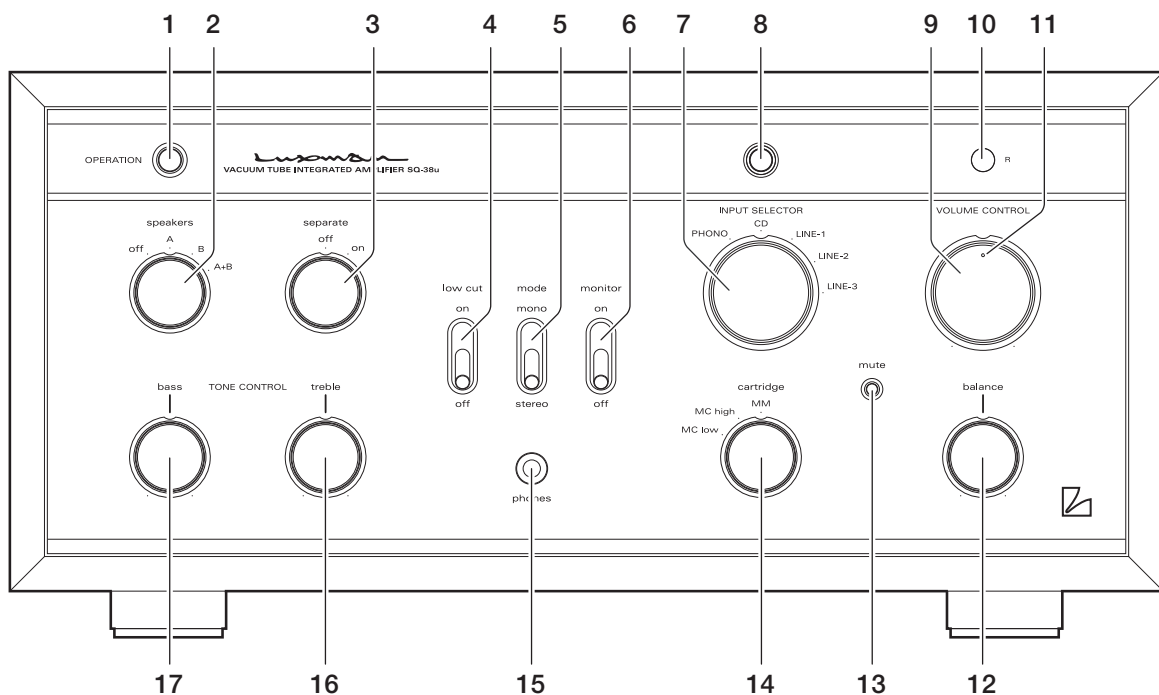
Repair and adjustment

When repairs or adjustments are needed, please ask the dealer where you bought the unit.

Cleaning

For cleaning, use a piece of soft cloth to wipe the unit such as cleaning cloth available on the market. If the unit has become remarkably dirty, remove the dirt with soft cloth absorbing a small amount of neutral detergent, and then wipe the unit with dry cloth. Do not use a solvent like benzine or thinner because such a substance can damage the exterior.

Names and Functions



1. Operation switch (OPERATION)

Toggles the power on and off. When connection of the input/output terminals is performed, be sure to turn off this switch. When the power is turned off and on again, put 1 minute or more between off and on.

2. Speaker selector (speakers)

Selects either of 2 speaker systems, A or B, located at the rear panel.

- off : No sound is generated from any speakers.
The headphone output cannot be disabled.
- A : Selects the A system speaker terminal.
- B : Selects the B system speaker terminal.
- A+B : Simultaneously activates both A and B system speakers.

When both speaker terminals are simultaneously used, select speakers with impedance of 8 ohms or more because both output terminals are connected in parallel.

3. Separate switch (separate)

- Separates the pre-amplifier and main-amplifier each other.
- off : Uses this unit as a normal pre-main amplifier.
- on : Feeds external signals from the MAIN IN terminal on the rear panel to the main-amplifier section.

When the separate switch is set to on, the volume control of this unit cannot adjust the volume of the speakers connected to this unit. Volume adjustment shall be performed at the input device side such as the control amplifier connected to the MAIN IN terminal.

Entry of direct output into the MAIN IN terminal from a CD/DVD player or other devices that cannot adjust sound volume constantly provides a full power state and accordingly results in the risk of speaker damage.

For such input devices, be sure to use a control amplifier equipped with sound volume adjustment function as a relay, generate sound through the speakers with volume lowered, and adjust the volume to your favorite level.

4. Low cut switch (low cut)

- Toggles the low-frequency cutoff function on and off.
- off : Provides the normal state.
- on : Cuts the low-frequency range.

5. Mode switch (mode)

Changes the output mode.

- mono : Mixes the signals from right and left channels.
- stereo : Provides normal stereophonic reproduction.

6. Monitor switch (monitor)

Reproduces the data from the recorder on the monitor. Selection of ON enables to reproduce the data from the recorder. Selection of OFF enables to reproduce the data from the source selected with the input selector.

7. Input selector (INPUT SELECTOR)

Selects an input device from the devices such as a CD/DVD player and a tuner connected to each input terminal. This selector has 5 positions consisting of PHONO, CD, LINE-1, LINE-2, and LINE-3 that correspond to each input terminal on the rear panel. To select an input source, set the indicator to the position of the source to be reproduced.

8. Pilot light

Turns orange when the power is turned on.

9. Volume control (VOLUME CONTROL)

Adjusts the sound volume. Sound is not generated when this control is rotated counterclockwise to the end. The sound volume gradually becomes higher as the control is rotated clockwise.

10. Remote control photoreceiver (R)

Receives signals from the accessory remote control. Do not block the front of the photoreceiver.

11. Sound volume indicator

Indicates the sound volume level. This indicator blinks during the muting time immediately after turning on the power and at activating the mute function using the main unit or remote control.

12. Balance (balance)

Adjusts the balance of sound volume between right and left channels. Rotating this switch counterclockwise causes the left sound volume to be enhanced, and rotating the switch clockwise causes the right sound volume to be enhanced. This switch shall be set to the center position under normal conditions and rotated to make adjustment if necessary.

13. Mute button (mute)

Temporarily mutes the sound. Pressing this button activates the mute function and blinks the sound volume indicator resulting in no sound generated. Pressing this button again to cancel the mute function allows sound to be generated.

14. Cartridge selector (cartridge)

Adjusting the input impedance of the amplifier may be required depending on the impedance of the cartridge to be used. The input impedance of the amplifier is selectable with the cartridge selector. The selectable positions are MM, MC high, and MC low. Select a position in accordance with the input impedance specified in the operating instructions of the cartridge or your taste.

Cartridge selector	MM	MC high	MC low
Impedance	47kΩ	40Ω	2.5Ω

15. Headphone jack (phones)

Is used to listen to sound with use of stereo headphones. Insert the headphone plug into this output jack. To listen to sound with only use of headphones, set the speaker selector to off.

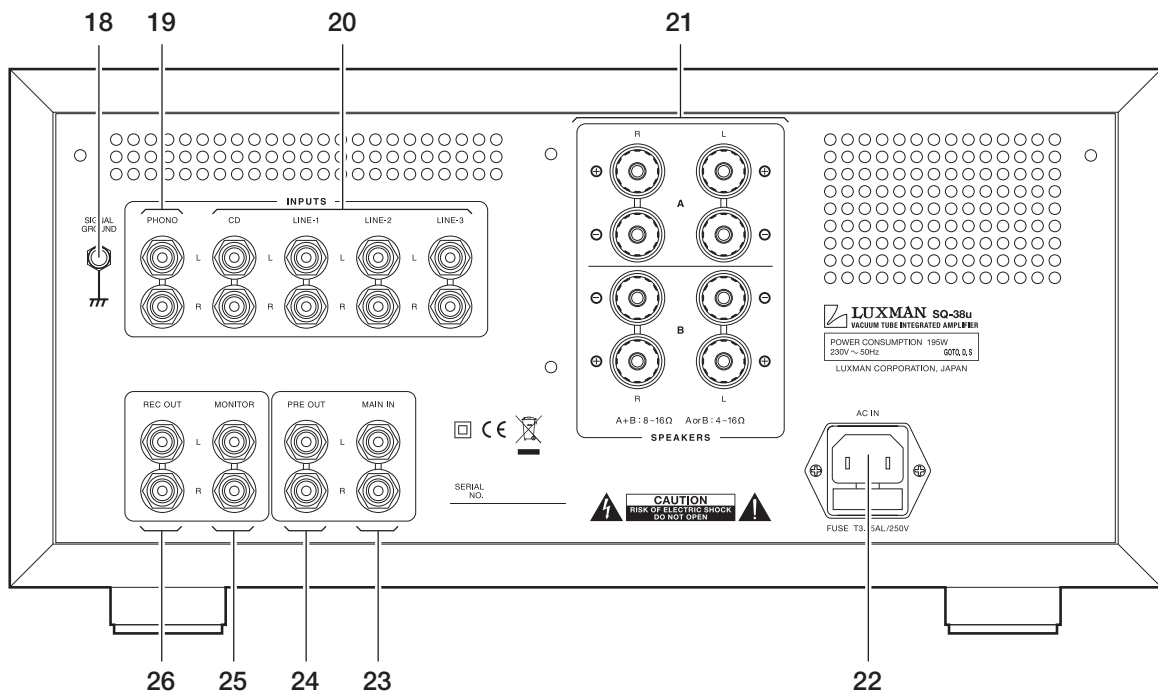
16. Tone control for treble (TONE CONTROL, treble)

Controls the frequency characteristics in the high-frequency range. When this switch is set to the center position, flat frequency characteristic is obtained. Rotating the switch clockwise causes the high-frequency range to be enhanced, and rotating the switch counterclockwise causes the high-frequency range to be attenuated.

17. Tone control for bass (TONE CONTROL, bass)

Controls the frequency characteristics in the low-frequency range. When this switch is set to the center position, flat frequency characteristic is obtained. Rotating the switch clockwise causes the low-frequency range to be enhanced, and rotating the switch counterclockwise causes the low-frequency range to be attenuated.

Names and Functions



18. Signal ground terminal (SIGNAL GROUND)

Is a ground terminal for devices to be connected to this unit. This terminal is used to reduce noise when other devices are connected, and is connected to an analog player or a tone arm. This terminal is designed not for safety.

19. Phono input terminals (PHONO)

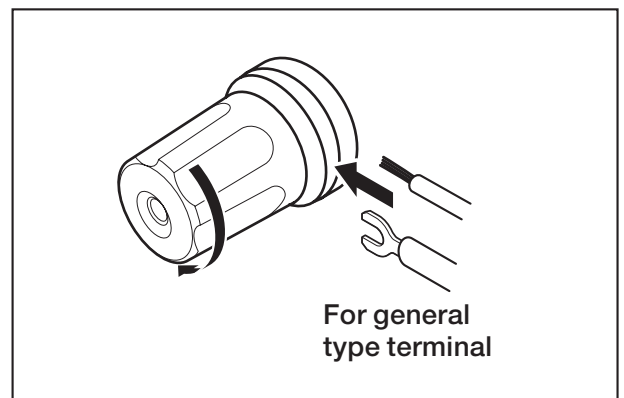
Are used as an input terminal to connect an RCA pin-plug cable from an analog player or a tone arm.

20. Line input terminals (CD, LINE-1, LINE-2, LINE-3)

Are used for high-level signal inputs from a CD/DVD player, a SACD player, a tuner, a video deck, a TV, and other such devices. These input terminals offer the same functions.

21. Speaker output terminals (SPEAKERS)

Connects a speaker system. The right speaker terminal shall be connected to the R side, and the left speaker terminal shall be connected to the L side in consideration of the polarity (\oplus and \ominus).



22. AC inlet (AC IN)

Connects the accessory power cable.

The power shall be supplied from a household wall socket.

23. Main in terminals (MAIN IN)

Provide input to the main-amplifier section when the pre-amplifier and main-amplifier are separated.

24. Pre-out terminals (PRE OUT)

Provide the output of the preamplifier section. A bi-amp connection can be performed with a combination of an external power amplifier because this terminal always provides output regardless of the separate switch setting.

25. Monitor terminals (MONITOR)

Are used to reproduce the line output from the recorder.

These terminals are connected to the output terminal of the recorder.

26. Record output terminals (REC OUT)

Are used to transmit output signals for recording from the recorder. These terminals are connected to the line input terminal of the recorder.

Connections and Connection Diagram

Before connections

Before connecting other devices, connect the accessory power cable to the AC inlet of this unit.

When connection is performed, turn off the operation switches of this unit and all other connected devices to prevent an accident caused by unexpected noise.

How to connect power supply

Use the accessory power cable and insert the AC plug in an outlet on the wall in the room where the unit will be installed.

How to connect CD player, DVD player, tuner, or other devices

Connect the output terminal of a reproducing device such as a CD player and the line input terminal (CD, LINE-1, LINE-2, or LINE-3) of this unit with 2 (R and L) pin-plug cables.

Use caution not to conduct wrong connection between right and left.

How to connect analog record player

Connect between the output terminal of the analog record player and the PHONO terminal of this unit with 2 (R and L) pin-plug cables.

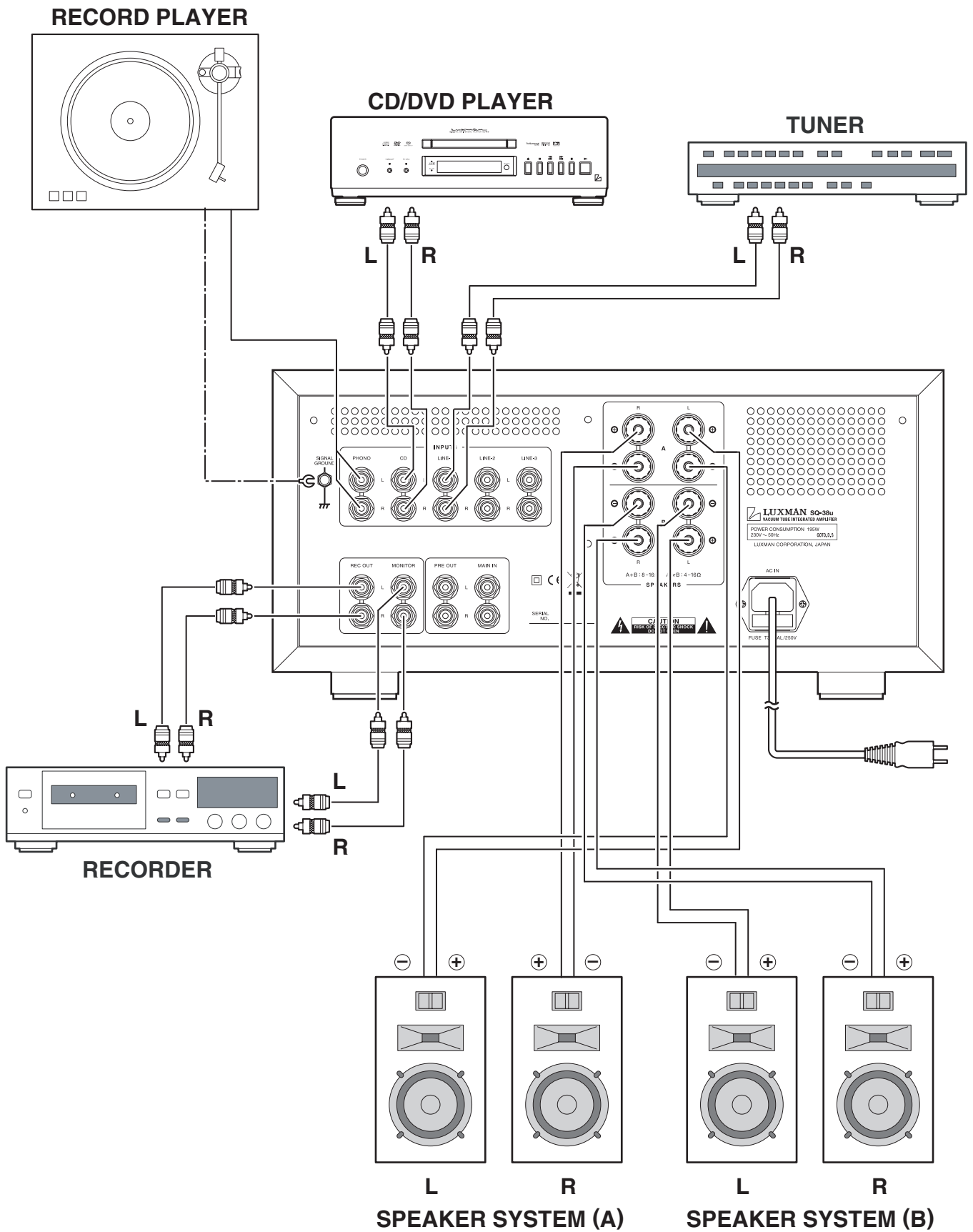
For some types of players, the ground wire from the phono motor or tone arm should be connected to the signal ground terminal of this unit.

The output from an analog record player equipped with a phono equalizer or from an independent phono equalizer shall be connected to the line input terminal (CD, LINE-1, LINE-2, or LINE-3) of this unit.

How to connect speakers

Connect the left-channel speaker to the left speaker terminal of this unit and the right-channel speaker to the right speaker terminal.

Securely connect the (+) terminal of the speaker system to the speaker terminal (+) (red) of this unit, and the (-) terminal of the speaker system to the speaker terminal (-) (black) of this unit. If the (+) and (-) terminals are reversely connected to either of the right and left speaker systems, the acoustic phases of the sound reproduced from the right and left speaker systems are also reversed. In such a case, be aware that the sound level in the low range will be reduced and the acoustic stability will worsen, thus failing in normal stereo playback.



Operations

Before operations

1. Ensure that the connections are correctly performed.
(Normal playback cannot be achieved with wrong connection of R, L, ⊕, or ⊖.)
2. When the power is toggled between on and off or the input selector (INPUT SELECTOR) is changed over, set the volume control to the minimum position in advance.

Playback procedure

1. Press the operation switch after ensuring that the volume control (VOLUME) is set to the minimum position.
2. Select a connected device to be reproduced with the input selector (INPUT SELECTOR).
3. Adjust the sound level with the volume control (VOLUME).
4. Operate the tone control (TONE CONTROL) according to the reproduced source.

How to operate balance control

The balance control allows users to adjust the balance of sound volume between right and left channels. When the balance adjustment is not required, the balance control is set to the center position.

How to operate the tone control

This unit has the tone control (TONE CONTROL) function for the low-frequency level control (bass) and high-frequency level control (treble).

The low-frequency level control (bass) works in the low-frequency range. This unit is designed to obtain flat frequency characteristic when this switch is set to the center position. Rotating the switch clockwise causes the low-frequency range to be enhanced, and rotating the switch counterclockwise causes the low-frequency range to be attenuated.

The high-frequency level control (treble) works in the high-frequency range.

As with the low-frequency level control (bass), this unit is designed to obtain flat frequency characteristic when this switch is set to the center position. Rotating the control clockwise causes the high-frequency range to be enhanced, and rotating the control counterclockwise causes the high-frequency range to be attenuated.

For both the low-frequency level control (bass) and high-frequency level control (treble), the right and left channels interlockingly function.

Safety cautions

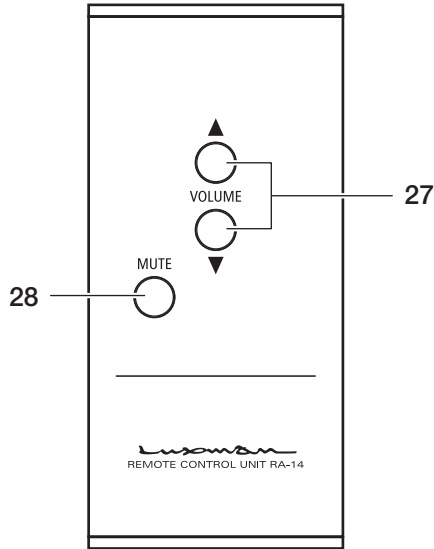


Caution



This unit is a vacuum tube integrated amplifier. Be careful not to touch this product with your bare hand because this product becomes hot in the power-on state. For safety, do not use this product in a place where children or unchained animals are present.

Remote control (RA-14)



27. Volume (VOLUME, ▲, ▼)

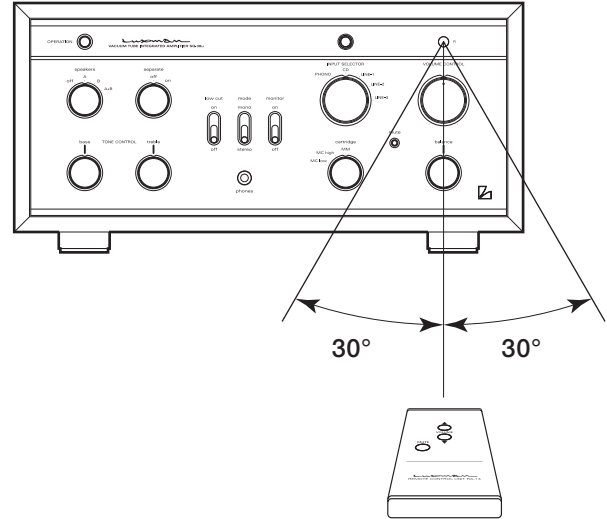
Adjusts the sound volume. Pressing ▲ or ▼ decreases or increases the sound volume, respectively.

28. Mute (MUTE)

Temporarily mutes the sound. Activation of the mute function causes the volume indicator on the main unit to blink, and no sound is generated. Pressing this button again to cancel the mute function allows sound to be generated.

Remote control

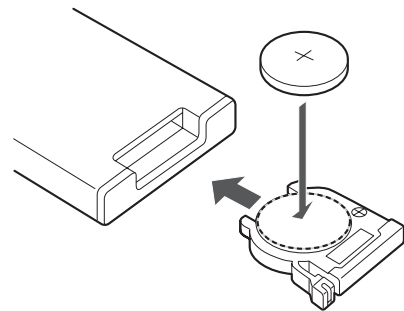
The remote control shall be aimed at the remote control photoreceiver of this unit within the specified angle range shown in the illustration when used.



Effective distance: approx. 5 meters

[How to load a battery]

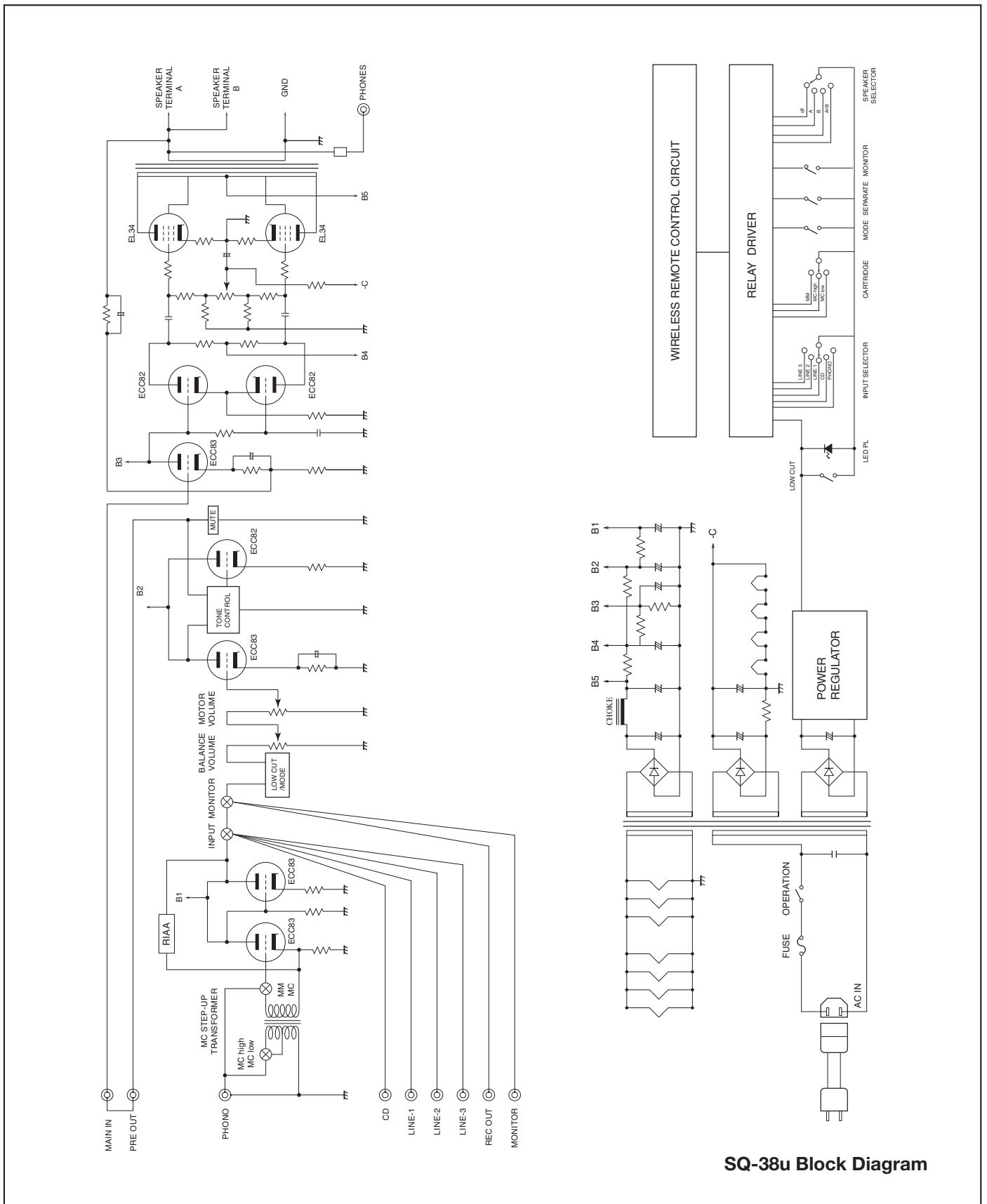
1. Put your finger on the battery cover claw on the rear of the remote control, and slide the cover downward to open it.
2. Put a battery (CR2025) in the battery case as shown in the illustration.
3. Close the battery cover.



* When the battery starts to lose power, the effective distance becomes shorter or the unit does not function even though the switch is pressed. In such a case, replace the existing battery with new one.

* If the remote control is not used for a long time, the battery shall be removed from the case.

SQ-38u Block Diagram



SQ-38u Block Diagram

Specifications


VACUUM TUBE INTEGRATED AMPLIFIER SQ-38u

Rated output	30W + 30W (6Ω), 25W + 25W (8Ω, 4Ω)
Input sensitivity/input impedance	1.0V / 47kΩ
Frequency response	20Hz ~ 100kHz (within -3dB)
Total harmonic distortion rate	0.5% / or less (1kHz, 30W / 6Ω)
S/N ratio	75 dB or more (IHF-A weighted)
Input	1 phono line (MM / MC high / MC low supported) and 4 lines
Recording input/output	1 line for each of record output and monitor input
Separate input/output	1 line for each of pre output and main input
Output	Speaker output A and B (independent selection, both simultaneous outputs available)
Circuit	Driver: Mullard circuit, output: UL connection
Vacuum tube used	4 pieces of EL34, 4 pieces of ECC83, 3 pieces of ECC82
Accessories	<ul style="list-style-type: none">· Remote control· Terminal protection cap· Safety cautions· Power cable· Owner's Manual· Coin-type battery (CR2025)
Power supply voltage	AC 230V (50Hz)
Power consumption	195 W, 150 W (under no signal)
Max. external dimensions	400 x 196 x 310 mm (WxHxD) (terminals and knobs excluded from the dimension)
Weight	20.0kg (main unit only)

* Specifications and appearance are subject to change without notice.

Before Asking for Repair Services

While the unit is used, an unusual phenomenon may be confused as a malfunction for a certain reason. Prior to asking us for repair services, please check the table below and read the instruction manual for the subsidiary devices. If the cause of the malfunction cannot be identified, please contact your dealer.

Problem	Cause	Solution
No power is supplied even though the operation switch is pressed.	· The power plug is disconnected from the wall outlet, or it is not completely inserted.	· Insert the power plug in the wall outlet securely.
	· The power plug is disconnected from the AC inlet, or it is not completely inserted.	· Insert the power plug in the AC inlet securely.
No sound is generated. (for both left and right channels)	· The volume control is set to the minimum level.	· Rotate the volume control clockwise to adjust the sound volume.
	· The mute function is activated.	· Cancel the mute function.
	· The input selector is not set to the source to be reproduced.	· Set the input selector to the source to be reproduced.
	· Cable connections are incomplete.	· Make cable connections securely.
	· The output level of the reproducing device is set to the minimum position.	· Adjust the output level.
No sound is generated on one side.	· The connecting cable is not connected on one side only.	· Make cable connections securely.
Humming sound (boon or zzz noise) is generated.	· The grounding side of the pin-plug cable has no contact with the terminal.	· Be sure to connect the grounding side of the pin-plug cable to the terminal.
	· The ground wire of the record player is not connected.	· Connect the ground wire of the record player to the signal ground terminal.
	· Connections or mounting conditions are incomplete between the cartridge and shell, or between the shell and tone arm of the record player.	· Connect (or mount) the cartridge, shell, and tone arm securely.
	· The connecting cables are too close to the power cable.	· Keep the connecting cables away from the power cable.
	· Induction noise is picked up from the power transformer of another device.	· Install this unit away from other devices.

