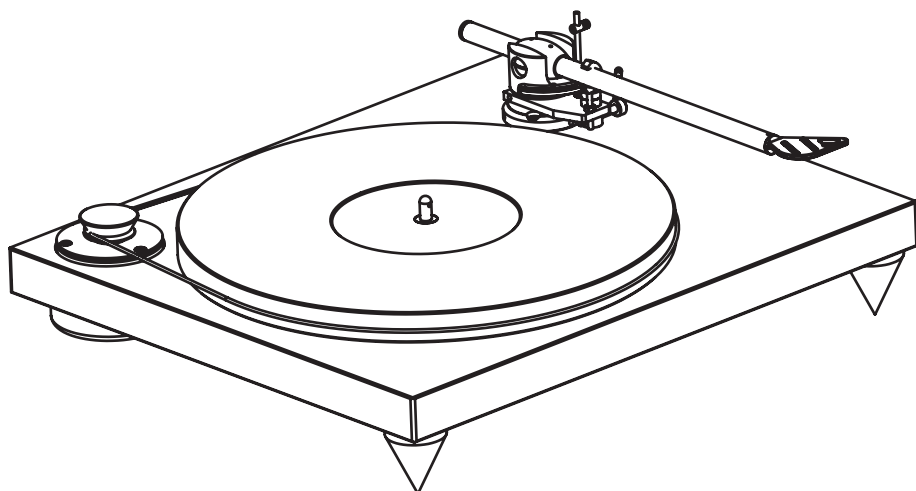


**GOLD NOTE**  
il suono italiano



# VALORE 425 LITE

THE ITALIAN TURNTABLE

OWNER'S MANUAL



# INDEX

INTRODUCTION.....	P. 3
CONTENT AND KEY FEATURES.....	P. 4
SPECIFICATION & TECHNICAL FEATURES.....	P. 5
SET-UP INSTRUCTION.....	P. 6
INSTALLING THE PLATTER.....	P. 7
INSTALLING THE BELT.....	P. 8
ANTI-SKATING, AZIMUTH, COUNTERWEIGHT ADJUSTMENTS.....	P. 9
VTA SETUP.....	P. 10
POWER SUPPLY.....	P. 11
POWER ADAPTER & SPEED CONTROL.....	P. 12
CALIBRATION: CARTRIDGE OVERHANG, ALIGNMENT & SPEED.....	P. 13
CARTRIDGE ALIGNMENT.....	P. 14
DETACHABLE DUST COVER.....	P. 15
WARRANTY & SERVICE.....	P. 16
TROUBLESHOOTING.....	P. 17
IMPORTANT SAFETY INFORMATION.....	P. 18

# INTRODUCTION

GOLD NOTE® manufactures a wide range of prestigious and sophisticated audio products featuring unique and innovative technical and aesthetic characteristics.

The Valore 425 Lite is the evolution of the Valore (400mm) produced by Gold Note since the 2010, the entry level Gold Note High-End Audio turntable merges audio performance, with high grade of finish and elegant look.

The Valore 425 Lite features a 30mm thick plinth wisely shaped and cut around the bearing of the platter and the motor to drastically reduce all unwanted vibrations.

The Valore 425 Lite platter is manufactured using a special 20mm thick sandwich MDF/POM material derived directly from the top level Gold Note turntables as well as the 60mm long platter bearing and spindle, finely machined to achieve the best audio quality of its category.

Besides the Valore 425 Lite platter is designed to stay only 3mm closed to the turntable plinth. Such small platter/plinth interference allows reducing turbulence featuring a great noiseless rotational stability.

The Valore 425 Lite features a 12Volt synchronous motor developed by Gold Note using a special designed micro controlled D/A Converter able to perfectly reshape the sinusoidal AC curve.

Powered by a new Gold Note property design the D/A Converter micro controlled motor guarantees a high precision speed enabling the motor having a perfect phase also controlling the power of motor the best having a strong high torque force starts, then smartly reducing the intensity of current once the speed is correctly stabilised controlling the vibration at all.

Besides the new top class polished hourglass shaped motor pulley allows the turntable belt spins smoothly reducing the wow& flutter and noise precisely.

The Valore 425 Lite size allows equipping the plinth with 9" tone arms. The turntable is offered as package with a Gold Note dedicated 9" arm and a mould high resistance, thick and heavy Dust Cover to avoid resonance feedback.

The Valore 425 Lite though is undoubtedly an extraordinary good turntable to be used in a large variety of prestigious High-End Audio systems it is an extremely reliable, easy to use turntable for all audio enthusiast look for performance, cosmetic but efficiency at the same time.

The plinth of the Valore 425 Lite is available in black or white lacquer.

**Every Gold Note product is 100% proudly designed, manufactured and assembled in Italy**

# CONTENT AND KEY FEATURES

## CONTENTS OF PACKAGING

- 1 TURNTABLE plinth
- 1 DUST COVER completed with Hinges
- 1 POWER ADAPTER with CONNECTING CABLES
- 1 B-5 BALL BEARING with TONE ARM CABLE already installed
- 1 COUNTERWEIGHT
- 1 PLATTER SPINDLE TIP that clamps the platter
- 1 DRIVE BELT
- 1 ALLEN KEY of 2,5mm FOR ARM LIFT BOARD BLOCKING
- 1 ALLEN KEY of 2,0mm for DIN PILLAR REMOVING
- 1 ALLEN KEY of 1,5mm FOR VTA TONEARM ADJUSTEMENT, LIFT CUEING REMOVING, ANTI SKATE CYLINDER ADJUST
- 1 ALLEN KEY of 0,9mm FOR TONEARM SHELL AZIMUTH ADJUSTEMENT
- 1 PROTRACTOR, OVERHANG for CARTRIDGE ALIGNEMENT incorporates even a STROBOSCOPE FOR SPEED ADJUST
- 1 GN STYLUS GAUGE
- 1 INSTRUCTION MANUAL

## CONSTRUCTION FEATURES

This section describes the special features of the Valore 425 Lite turntable, the construction details, the reasons for the technical choices and the originality of the design.

- The Valore 425 Lite is a rigid turntable that uses a plinth made of high damped lacquered MDF.
- The plinth bears three acrylic spikes for ensuring great insensitivity to vibrations.

The turntable platter is made of 20mm thick special 20mm thick sandwich MDF/POM material chosen for its dampening ability.

- The spindle is a high class machined stainless steel split in two pieces able to clamp the platter through its conical shape. The spindle is 60mm long to ensure top performance.

A large longitudinal groove is located on its axis, which allows the lubricating oil to run in constant manner.

The longer spindle eradicates any pendulum effect and distributes the inertial energy along its entire axis, completely annulling any type of lateral friction.

- The bearing houses two Teflon/Graphite rectified bearings that handle the spindle with the help of a customised bottom platter bearing enables very low noise and extra precise rotational stability.

- The platter bearing is threaded outside in order to be tightly blocked to the plinth of the turntable on its own axis to allow a very firm and precise coupling.

- The custom AC 12 Volt low voltage electronically controlled Valore motor allows 33 $\frac{1}{3}$  & 45 rpm electronic speed control.

- The custom AC 12 Volt micro-controlled motor allows 33 $\frac{1}{3}$ rpm & 45rpm electronic speed control and pitch adjustment. Besides the special motor guarantees a perfect rotation stability and great torque in complete silence.

# SPECIFICATION & TECHNICAL FEATURES

## MAIN FEATURES

- WOW & FLUTTER 0,3%
- RUMBLE -72dB
- SPEED 33 $\frac{1}{3}$ rpm and 45rpm  $\pm$ 0,1%
- SPEED CHANGING Electronic with fine pitch control
- TRANSMISSION 70 shores rectified NBR belt
- MOTOR 12 Volt High Torque synchronous externally powered
- PLATTER MDF/POM 20mm thick
- PLATTER SPINDLE Special Split-Spindle™ clamping the platter
- PLATTER BEARING 5mm Chromed Steel ball bearing with adjustable brass seat, in aluminium case with two Graphite & Teflon elastic inner guides

## POWER

- MAIN SUPPLY 100V ~ 115V~ 230V~ 50 or 60Hz  
(depending on market destination not convertible)
- POWER CONSUMPTION 20 Watt

## PHYSICAL

- DIMENSIONS PLINTH 425x170x360mm (WxHxD)
- WEIGHT 10 kg

## FINISHES

- PLINTH 30mm thick Black or White lacquered
- METAL PARTS Silver
- PLATTER Black

## ACCESSORIES

- TONEARM: Gold Note 9''

# SET-UP INSTRUCTION

## FIRST OPERATION

- 1 Please remove carefully all the protecting foam and check the items listed are all supplied.
- 2 Place the turntable deck on a levelled surface, the best is a wall shelf immune to footfall, then level the turntable.
- 3 Plug the tone arm cable pre installed to the amplifier phono input.
- 4 Install the counterweight into the rear arm wand of the arm adjusting the correct cartridge tracking weight with the help of a precision scale (not supplied).
- 5 Install the turntable belt surrounding the hourglass motor pulley and the platter outer perimeter.
- 6 Plug the Power Adapter cable to the S/Steel rounded plug motor cover underneath the turntable plinth bottom left side corner.

## POSITIONING THE VALORE 425 LITE

Your VALORE turntable has been designed for home Hi-Fi systems. It must be protected from direct sunshine rays and humidity. Do not put it close to strong heating sources, electrical and electronic motors, mobile phones etc.

The levelling and positioning on a solid shelf, as explained in the previous chapter, is fundamental to ensure the best audio performances.

## OPERATING THE 33 $\frac{1}{3}$ rpm & 45rpm CONTROL

The turntable is fully controlled by an electronic power supply.

## TURNTABLE SPEED CONTROL ADJUSTMENT

The turntable is fully controlled by an electronic power supply operating the Turntable 33 $\frac{1}{3}$ rpm & 45rpm.

- Inner Button Start and Stop the 33 $\frac{1}{3}$ rpm speed.
- Outer Button Start and Stop the 45rpm speed.

The turntable also features a fine speed adjust “Pitch Control” allows a very fine adjust of the speed of the turntable.

## PITCH CONTROL MODE

To enter the PITCH CONTROL MODE press and hold for 4 seconds both 33 $\frac{1}{3}$ rpm and 45rpm buttons while the turntable is spinning.

When the red LED light shuts down, the unit is ready for the fine speed adjustment.

- PITCH –  
press repeatedly the 33 $\frac{1}{3}$ rpm button until the correct speed is reached.  
The LED light flashes every time the button is pressed.
- PITCH +  
press repeatedly the 45rpm button until the correct speed is reached.  
The LED light flashes every time the button is pressed.

See pag.12 for images.

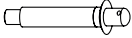
The TURNTABLE SPEED CONTROL unit records permanently in the turntable memory the speed adjusted singularly for both 33 $\frac{1}{3}$ rpm and 45rpm even if the unit is unplugged from the AC wall.

# INSTALLING THE PLATTER

To assemble the platter you are going to need:



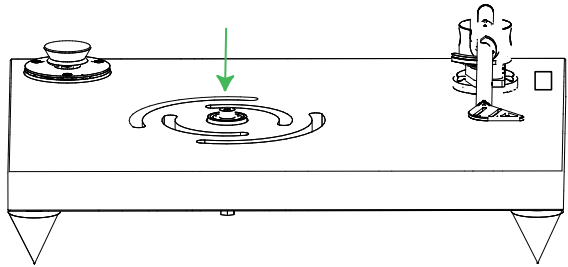
23mm platter supplied



Platter Spindle Tip

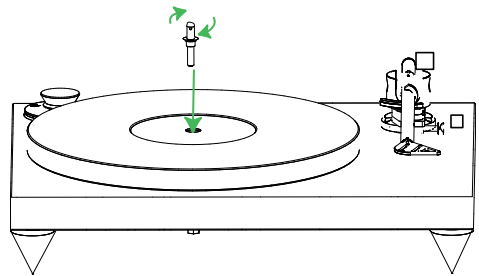
## STEP 1

position the platter on the turntable as shown in the picture: the platter should fit perfectly on the spindle flat surface.



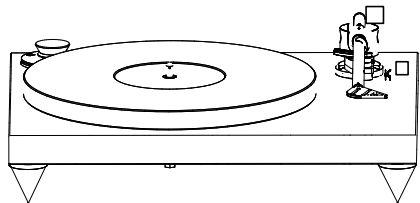
## STEP 2

thread the spindle tip as show in the picture to secure the platter to the turntable.



## STEP 3

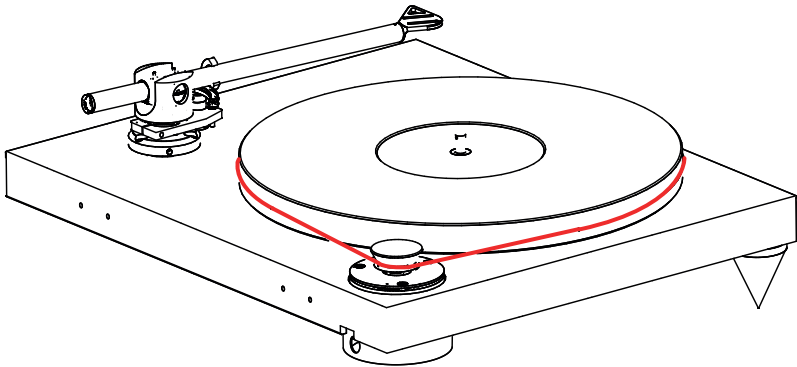
the conical shape of the spindle tip must be firmly threaded and will clamp the platter to the plinth.



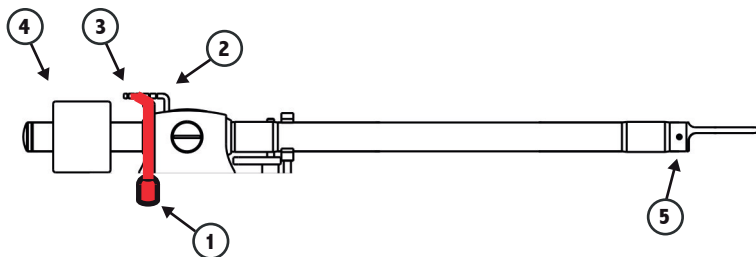


## INSTALLING THE BELT

Wrap the belt around the pulley and the platter as shown in the pictures:



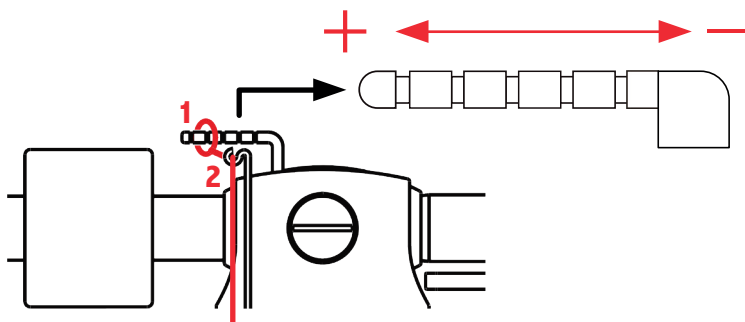
# ANTI-SKATING, AZIMUTH, COUNTERWEIGHT ADJUSTMENTS



- 1 ANTI-SKATING nylon wire with bullet counterweight
- 2 ANTI-SKATING adjustment bar
- 3 ANTI-SKATING support hoop
- 4 TONEARM COUNTERWEIGHT: to set up the correct tracking force depending on the phono cartridge in use
- 5 SHELL AZIMUTH ADJUSTMENT: to adjust the alignment of the tonearm head-shell (0,9mm Allen Wrench)

## INSTALLING THE ANTI-SKATING SYSTEM

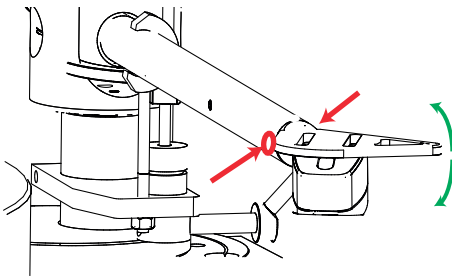
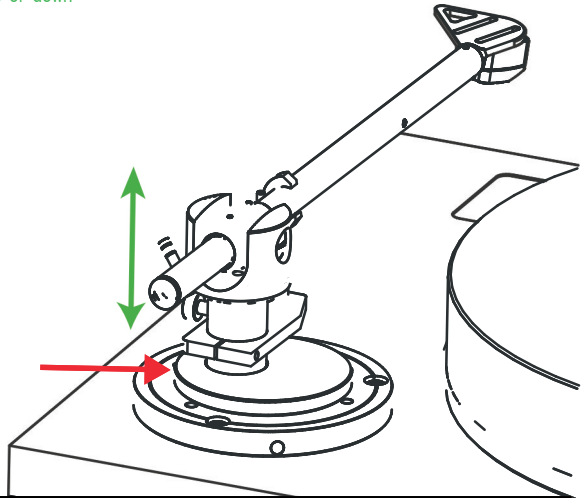
- 1 Slip the loop of the ANTI-SKATING nylon wire over the groove of the ADJUSTMENT BAR
- 2 Feed the wire through the loop of the SUPPORT HOOP
- 3 Adjust the ANTI-SKATING force choosing the correct groove on the ADJUSTMENT BAR



# VTA SETUP

## VTA SETUP

Loose the **Hex-bolt indicated by the arrow** on the collar using the 1,5mm Allen Wrench supplied to lift **up or down the arm** correctly adjusting the VTA as necessary.

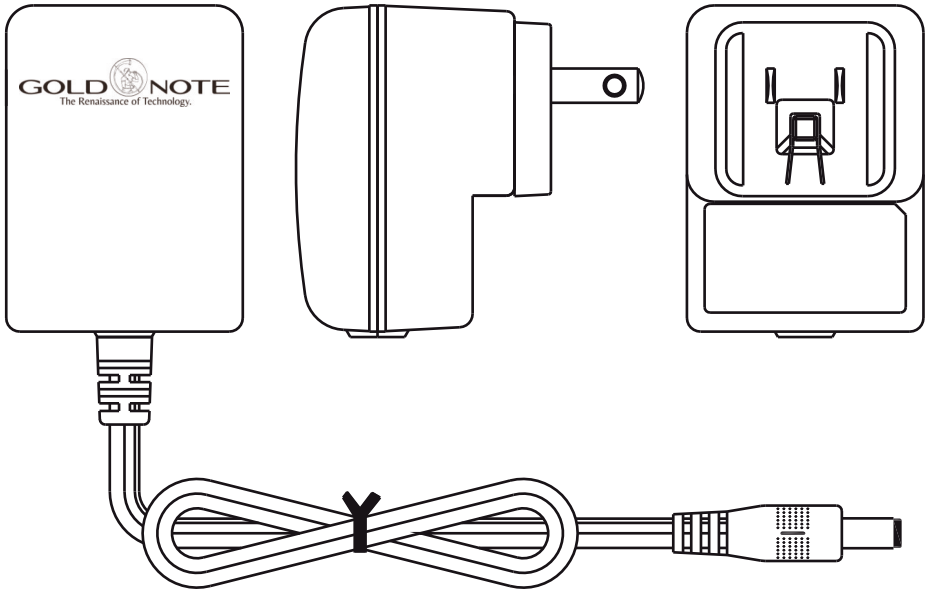


## AZIMUTH

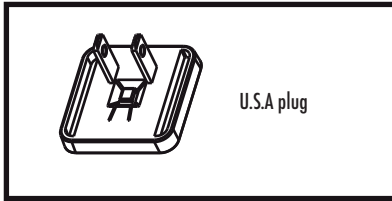
After the cartridge has been properly installed on the tone arm, adjust the Azimuth of the shell with the supplied 0,9mm Allen Wrench.

Setting a correct Azimuth will provide a better audio performance.

# POWER SUPPLY



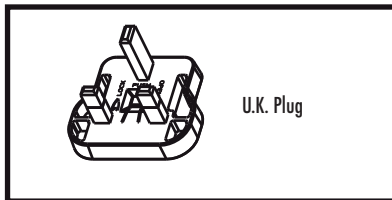
Power Supply Adapter AC Plug it is necessary to use the correct AC plug based on your local area.



U.S.A plug



European plug



U.K. Plug



Australian plug

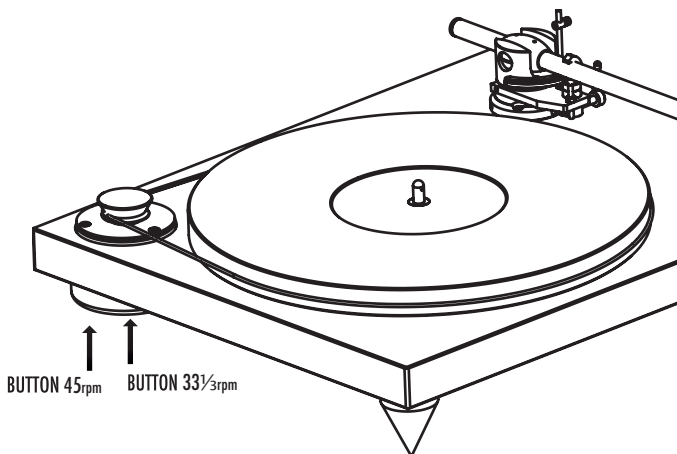
**PLEASE NOTE WELL:** Before plugging the AC adapter plug the round connector indicated here.

# POWER ADAPTER & SPEED CONTROL

## CONNECTING THE POWER SUPPLY ADAPTER

Use only the original GOLD NOTE AC adapter to power the turntable to ensure the correct functioning.

**PLEASE NOTE:** Before plugging the adapter in to the AC make sure the connector is plugged into the turntable.



## TURNTABLE SPEED CONTROL

- **INNER BUTTON** starts and stops the 33 $\frac{1}{3}$ rpm speed. When the 33 $\frac{1}{3}$ rpm is playing its red LED light turns on.
- **OUTER BUTTON** starts and stops the 45rpm speed. When the 45rpm is playing its red LED light turns on.

The Mediterraneo also features a fine speed adjustment "Pitch Control" function to achieve a precise control over the speed of the turntable.

## PITCH CONTROL MODE

To enter the PITCH CONTROL MODE press and hold for 4 seconds both the 33 $\frac{1}{3}$ rpm and the 45rpm buttons while the turntable is spinning at 33 $\frac{1}{3}$ rpm or 45rpm until the red LED light shuts down. The unit is now ready to adjust the speed with the help of the stroboscope.

- **PITCH –** press in sequence the 33 $\frac{1}{3}$ rpm button until the correct speed is reached.

The LED light flashes every time the button is pressed.

- **PITCH +** press in sequence the 45rpm button until the correct speed is reached.

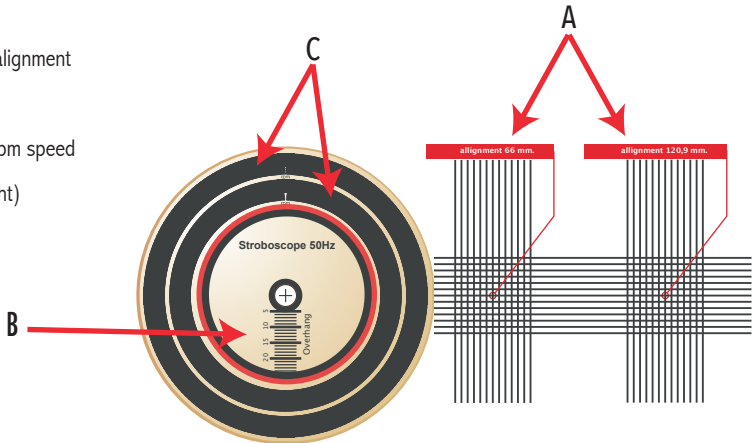
The LED light flashes every time the button is pressed.

To switch off of the PITCH CONTROL MODE press and hold for 4 seconds both the 33 $\frac{1}{3}$ rpm and the 45rpm buttons until the LED light is on and steady again.

# CALIBRATION: CARTRIDGE OVERHANG, ALIGNMENT & SPEED

Our turntables and tone arms are always supplied with the Gold Note Calibration Tool to calibrate correctly the setup. With this tool you will be able to adjust:

- A)** Phono Cartridge alignment
- B)** Overhang
- C)** 45rpm and 33 $\frac{1}{3}$ rpm speed  
(requires a strobe light)



## SPEED ADJUSTMENTS

Check the speed with the help of a strobe light (eventually a home NEON can also work).

When the speed is correct you will be able to see the sequence of black rectangular signs as if they were stable and fixed while the platter is spinning.

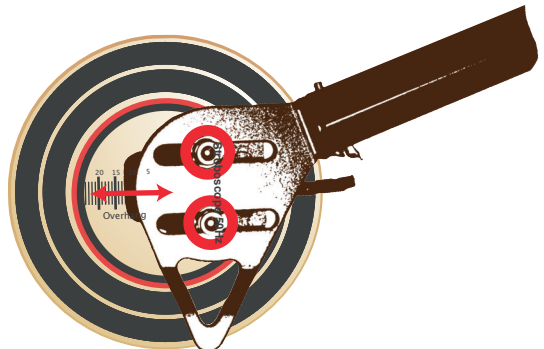
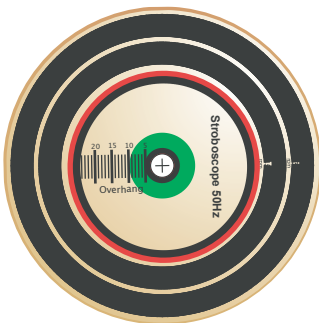
The outer line is to check the 33 $\frac{1}{3}$ rpm

The inner line is to check the 45rpm

## OVERHANG

To set the correct overhang the Calibration Tool must be inserted on to the turntable record pin and the cartridge Tip must be positioned on top of the pin.

Adjust the position of the cartridge until the suggested overhang of the phono cartridge is reached as indicated by the manufacturer.

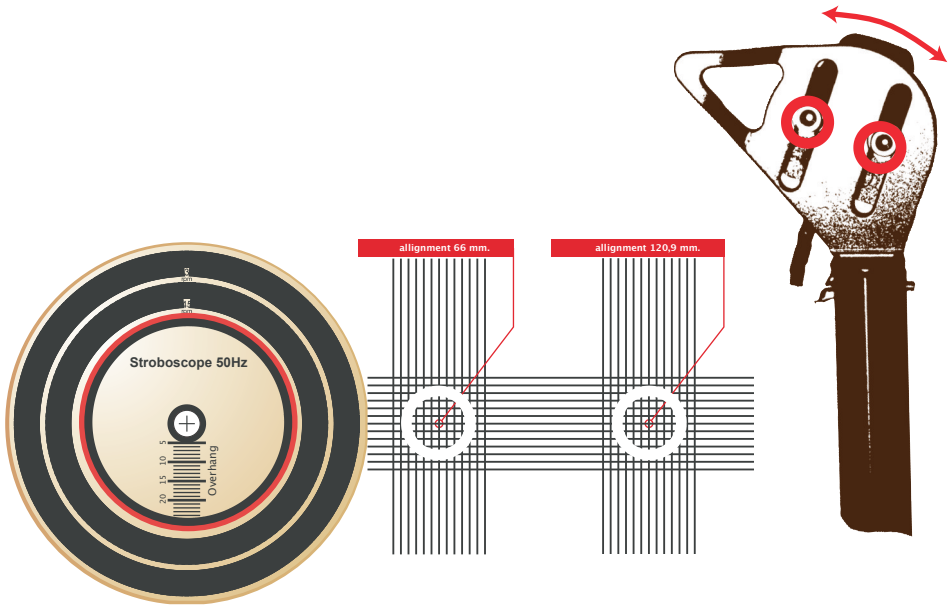


# CARTRIDGE ALIGNMENT

## PHONO CARTRIDGE ALIGNMENT

To correctly align the phono cartridge and achieve the best tracking position, point the tip of the phono cartridge into the white circles as in the picture below.

The body of the phono cartridge must be aligned to the vertical stripes in order to achieve the best position for musical reproduction.



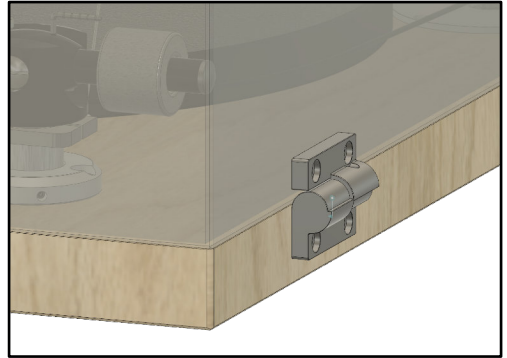
# DETACHABLE DUST COVER

The new Gold Note dust cover features detachable hinges, a new proprietary design developed to let you enjoy your turntable at the best in any situation.

The new dust cover is incredibly versatile and allows the usage of the turntable with or without it.

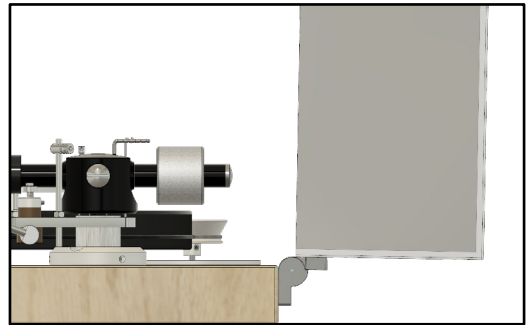
We are proud to offer this new solution to our clients to help them preserve their turntables in ideal functional and cosmetic conditions.

PICTURE 1



PICTURE 2

The new design also provides a stop point at about 90° to the dust cover: in this position it automatically stops and the hinges will hold the dust cover avoiding overturning.

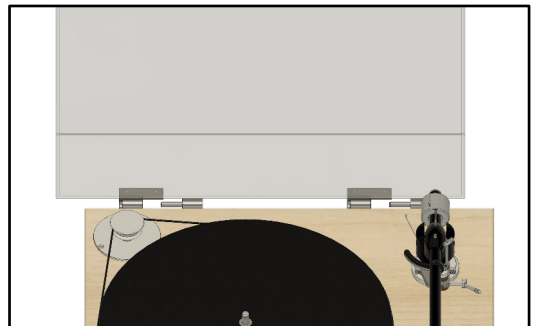


PICTURE 3

Removing the dust cover is simple and quick:

lift the dust cover until it reaches the 90° stop point and it's completely opened, then gently slide it towards LEFT (facing the turntable) to detach it from the plinth.

Please Note: the dust cover can be removed and reinserted only when it's in its resting position, completely opened at 90°.





# WARRANTY & SERVICE

## WARRANTY

To validate the warranty is necessary to register the unit on the Gold Note internet web site within 15 days from the purchase on the appropriate area of the web site:

[www.goldnote.it/warranty](http://www.goldnote.it/warranty)

If the unit is not registered correctly or has been purchased from a different country of the purchaser home address the unit will not be covered by any warranty and the registration will be refused.

The warranty does not does not cover in any case: Tubes, Phono Cartridge Styli and Batteries.

## SERVICE

Every GOLD NOTE® product is the result of meticulous technological research, and consequently their correct functioning is guaranteed. In spite of this it is possible that problems may emerge which non-specialist users cannot resolve.

In this case, contact your dealer to be advised on how the fault can be solved.

Do not return any object directly to the factory or to the national distributor or without being authorised to do so.

In such cases both GOLD NOTE® and the distribution agents operating within your territory decline responsibility of any kind.

For more information please visit [www.goldnote.it/service](http://www.goldnote.it/service)

## PLEASE NOTE

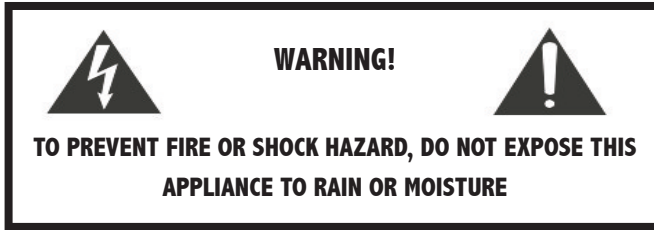
Descriptions and technical characteristics may vary at any time and without notice.

# TROUBLESHOOTING

## TROUBLESHOOTING

PROBLEM	CAUSE	SOLUTION
Levelling the turntable.	The turntable is not levelled.	With a spirit level, only level the Turntable Platter through its shelf layer eventually screwing its feet just for very fine adjustment, take care of levelling the platter on its vertical and horizontal lines. Be sure that the turntable layer is enough solid and rigid to support the weight of the turntable easily.
Cleaning the turntable.	The turntable is dirty and requires cleaning	With EXTREME care use ONLY very soft 100% cotton cloth to sweep dust and stains out. Any acid or not extremely soft cloth will irreversibly damage the turntable fine aesthetic. Do not use any alcohol to clean the turntable anodised label, pulley and motor spindle. Only dry cloth is allowed.
Motor heating.	The motor is too hot.	AC synchronous motors as the ones used by Gold Note may warm up to 50° Celsius without creating any problem.
Motor noise.	The motor produces a low scraping noise while in function.  The motor produces a buzzing noise while in function.	Gently lift the pulley enough as required to avoid the noise.  Adjust the 3 stainless steel screws on the motor's cover: unscrew them slightly until the motor spins smoothly and without noise.

# IMPORTANT SAFETY INFORMATION



## CAUTION!

TO REDUCE THE RISK OF ELECTRIC SHOCK, DO NOT REMOVE COVER (OR BACK).  
NO USER-SERVICEABLE PARTS INSIDE.  
REFER ONLY TO QUALIFIED GOLD NOTE SERVICE PERSONNEL FOR SERVICE

Do not disassemble any part of the product.

Do not use any part of the product for other purposes.

For service and problems of any kind, contact qualified Gold Note personnel.

Protect the product from rain and humidity and keep away from heat sources, electric and electronic motors etc.

The power Chord supplied must be used only on this unit.

Gold Note does not have responsibility for any improper use of this unit.

This appliance has a serial number located on the rear panel.

Please record the model and serial number and retain them for your records.

Serial Number: \_\_\_\_\_

Model: \_\_\_\_\_

# IMPORTANT SAFETY INFORMATION

- 1** Read these instructions and store them.
- 2** Heed all warnings.
- 3** Follow the instructions.
- 4** Do not use this apparatus near water.
- 5** Clean only with a dry cloth.
- 6** Do not block the ventilation openings and install in accordance with the manufacturer's instructions.
- 7** Do not install near heat sources such as radiators, heat registers, stoves or other apparatus (including amplifiers) that produce heat.
- 8** Do not defeat the safety purpose of the polarised or grounding-type plug: a polarised plug has two blades with one wider than the other.

A grounding type plug has two blades and a third grounding prong.

The wide blade or the third prong are provided for your safety.

If the provided plug does not fit into your outlet, consult an electrician for replacement of the obsolete outlet.

- 9** Protect the power cord from being walked on or pinched particularly at plugs, convenience receptacles, and the point where they exit from the apparatus.
- 10** Only use attachments/accessories specified by the manufacturer.

- 11** Use only with the cart, stand, tripod, bracket, or table specified by the manufacturer, or sold with the apparatus.

When a cart is used, use caution when moving the cart/apparatus combination to avoid injury from tip-over.

- 12** Unplug this apparatus during lightning storms or when unused for long periods of time.

- 13** Refer all servicing to qualified service personnel only.

Servicing is required when the apparatus has been damaged in any way (such as when the power cord or plug is damaged, liquid has been spilled or objects have fallen into the apparatus, the apparatus has been exposed to rain or moisture) and in any case when the apparatus does not operate normally or has been dropped.









Akamai S.r.l.  
Tel. +39 0571 675005  
[www.goldnote.it](http://www.goldnote.it)