



GOLD  NOTE

il suono italiano

2018-2019

www.goldnote.it





A dream come true

When 25 years ago a young student of Engineering with an obsession for music and audio designed his very first turntable out of disappointment for the way LP's sounded on the equipment available at the time, everyone thought that he was just a dreamer and nothing more.

Nobody could have predicted what was about to happen in a few years: the student was Maurizio Aterini and that turntable was the first step towards the foundation of the company that would become Gold Note. For a long time he developed designs providing OEM work for a number of well established manufacturers known to the audiophiles worldwide.

Maurizio had the rare possibility of meeting with some of the most talented engineers - those who made the history of the Hi-Fi - elaborating a unique perspective and a thorough understanding of every aspect involved in designing high performance audio.

He experimented new solutions to find the perfect synergy between components and finally crafted a complete chain of audio equipment to fully deliver all the sonic qualities and the signature sound he had found.

Today - with more than two decades of knowledge in the audio field - Maurizio is still the driving force of Gold Note, leading the company with the same enthusiasm and spirit: his dream came true.



Tradition & Innovation: our philosophy

Every time we design, engineer and finally craft equipment, we think about the concept of the "Contemporary Audiophile" meaning that each product must satisfy two main criteria:

First, it must deliver all our signature sonic qualities in order to re-create the musical event in its entirety with absolute realism; second, it must be easy to use every day and a pleasure to live with.

These are the principles we are after because we are "contemporary audiophiles" ourselves.

We want the musical experience to be always a fulfilling moment.

To achieve such ambitious result Maurizio knew that he had to meticulously control every single stage of the making process, from the idea to the finished product.

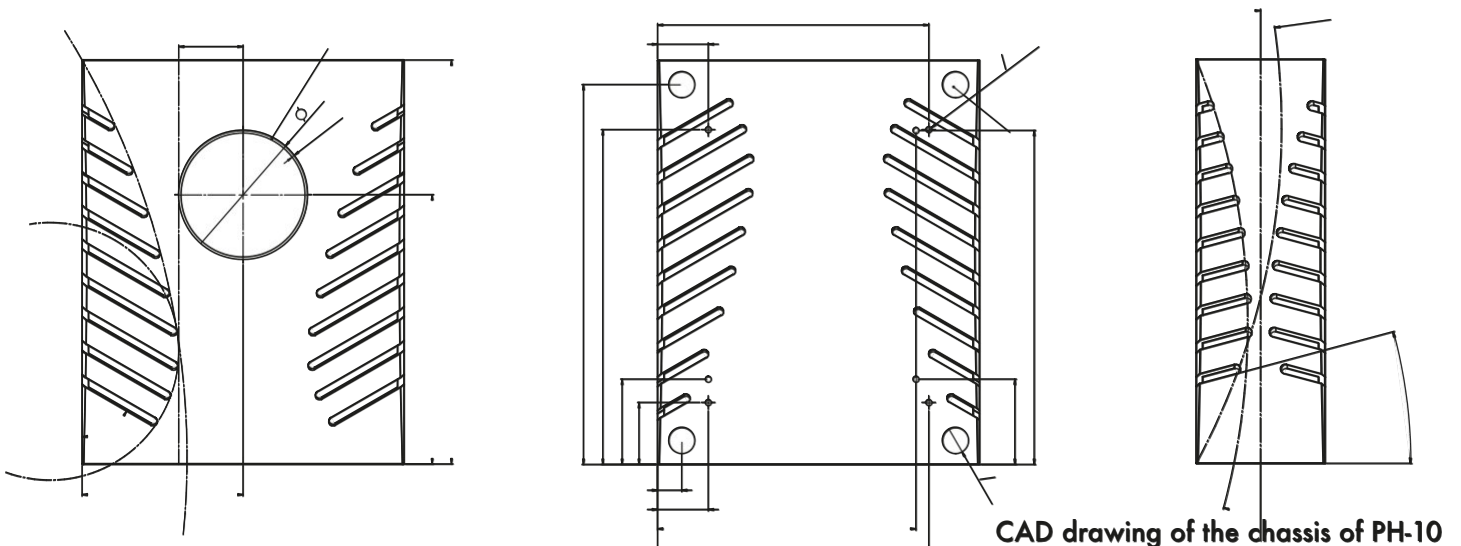


Made in Italy

Every project begins in the R&D lab where Maurizio and the engineers develop innovative solutions to achieve better performance. Here the “heart” and the “soul” of a new machine are prototyped: the first PCB boards are made and tested using the best components to achieve perfect synergy and score ideal lab measurements.

To provide the perfect “body” we rely on the talent of the Designer Stefano Bonifazi, the only one we trust to choose materials and create the shape that will further enhance the performance combining extreme rigidity, optimal cooling and unmatched beauty.

Each and every part - including the smallest of details - is designed with CAD software and the whole chassis undergoes virtual stress tests at the computer and physical stress tests when the prototype is ready to ensure the lowest tolerance of the assembly.



When the tests are successfully cleared we move into the final and most important stage: the listening.

Maurizio personally supervises the final stage starting with the burn in and then proceeding to listening sessions in a large variety of environments and conditions.

No other instrument can match the outstanding sensibility of an expert ear and we are certain that this is the secret that lies behind the musicality of our designs.

TURNTABLES & ANALOG

Mediterraneo

The best Italian Turntable: Mediterraneo shows the Italian flair and distinction of its strong Tuscan origins.

Mediterraneo combines technical perfection with the highest quality materials and refined engineering to achieve the most beautiful musicality.



1

Giglio

Giglio inherits many of the technical solutions and engineering developed for Mediterraneo.

The particular curves result in extra rigidity and allow Giglio to achieve a superior performance and deliver pure sound and details to recreate the musical event.



3

Pianosa

Pianosa features a curved plinth of Italian hardwood Walnut manufactured by our local craftsmen.

Every single piece is handmade to enhance the unique sonic properties of the turntable and of the wood chosen for its exceptional strength, rigidity and high density.



5

Valore 425 Plus

Valore 425 Plus is the most complete and musically satisfying turntable of its category, delivering an unmatched performance.

To extract even the finest detail from the vinyl groove it features solutions developed for superior models.



7

Valore 425 Lite

The new Valore 425 Lite is the best way to enjoy vinyls, a real performer to be used in a large variety of High-End systems.

Its features and design come in fact directly from our flagship series.



9

Cartridges

We have developed a complete line of cartridges in over 20 years: Low Output and High Output MC's as well as MM's.



11

PH-10

The most advanced phono stage: PH-10 offers unique features, including 2 inputs, EQ CURVES, LOAD and GAIN adjustments.

A fully analogue design engineered exclusively with the best components.



13

HI-FI ELECTRONICS

IS-1000

IS-1000 is a complete High-End stereo system enclosed in a beautiful aluminium chassis carved in bold Italian style.

This advanced fully integrated amplifier redefines the way music playback is experienced to achieve a new pinnacle in High-End audio.



15

DS-1000 MK II

DS-1000 is the best D/A Converter we have ever made: a true High-End DAC capable of performing audiophile sound from digital files. It features Network Player & Streamer functions to let you enjoy your favourite music with the greatest audio quality.



17

CD-1000 MK II

CD-1000 is a state-of-the-art CD-player that integrates digital stage and analogue stage in one elegant single unit. In addition to being a CD-player, CD-1000 features also a high-end audio Burr Brown D/A converter having Coaxial and TOS-Optical digital inputs (optionally even the USB digital input)



19

P-1000

P-1000 is an innovative High-End Class-A line preamplifier powered by a new proprietary Six Gain Stage design with Relays & Optical ALPS Encoder volume control. It has been designed to enhance the musical pleasure and bring your system to a new refined level.



21

PA-1175 MK II

PA-1175 is our first stereo Power Amplifier: a new design that features 4 matched pair of transistors per channel. The proprietary Gold Note Optical BIAS and a constant current generator are able to achieve high-current and high-power rates with ultra low distortion.



23

TUBE stage

The Gold Note line of Hi-Fi Electronics has been designed to be modular and easy to upgrade at any time. The system can be enhanced with external modules as two Class-A dedicated Tube Output Stages performing 12 and 6 tubes.



25

PSU

The Gold Note modular line of Hi-Fi Electronics also has been designed to be powered with external dedicated special Inductive Power Supply Units enhancing the performance of the units the best.



27



MEDITERRANEO

The Italian Turntable

Mediterraneo shows the Italian flair and distinction of its strong Tuscan origins, a turntable that combines pure beauty with the greatest attention to technical perfection.

This turntable comes from our native tradition and goes far beyond the simple musical dimension: it's the result of our passion and dedication.

The 60mm thick curved plinth design inspired by the "catenary curves" concept developed by Michelangelo Buonarroti and Galileo in Florence in the XVI century, is made with aged Italian Walnut offers the quality of such a unique material: exceptional elasticity, strength and high density. A material that is defined by its strong connection with our place (Tuscany), people (the local skilful craftsmen) and technology (superior quality and technical construction).

Every detail of Mediterraneo is designed to enhance the ultra-rigid structure resulting in a refined technical innovation achieved through elegant, smooth lines.

Mediterraneo is powered by our best proprietary control system developed on a Quadral-Core micro-controller and enhanced with an audio converter: the power control reshapes the AC wave to perfectly drive the 12V synchronous motor and cancel all vibrations while improving motor torque to deliver the greatest dynamic and the finest detail.

The Power Supply Unit electronically control the 33rpm and the 45rpm mode and the speed fine adjustment, storing the settings in memory.

Featuring a 60mm long bearing/spindle design with the best coupling tolerance available on the market today: the spindle is made of the hardest carbon rectified Steel to achieve perfect working fluidity.

The bearing system is made of polished Bronze and with a 1/100 mm tolerance guarantees the smoothest platter rotation.



Winner of the Writer Choice Award on Positive Feedback



"All my music sounded simply wonderful. Clean and ever so there with a lively presence that was fast on its feet... pace and rhythm.

Details were in evidence and aplenty, though they were not forced or in the least bit analytical.

Bass was deep, solid, and propulsive...I could find nothing to criticise.

Stable. Articulate. Fun. Resolving. Engaging. Style. Beautiful."

Wow & Flutter: 0,1%

Rumble: -80dB

Speed: 33 $\frac{1}{3}$ e 45 rpm +/-0,1%

Motor: 12 Volt High Torque synchronous

Platter: 45mm Ultra-Dead design in Sustarin

Dimensions: 470mm W | 210mm H | 360mm D

Weight: 20 Kg

Platter Spindle: Split-Spindle™ clamping design

Platter Bearing: Tungsten 5mm ball bearing

Tonearm: Gold Note B-5.1 (or opt. B-7 Ceramic)

Lower plinth finish: Italian Walnut, Black or White

Upper plinth finish: Black Polished Acrylic

Metal parts finish: Black anodised aluminium

Platter finish: Black Sustarin



GIGLIO

We believe that every hand made turntable has something special and what we make carries a small part of the Italian heritage, showing our dedication to native traditions, history and to our passion: this is how we craft the perfect music source.

Such passion defines all our turntables and drives us to design with great care and attention to every single detail in order to deliver the best audio performance through the most fascinating sources of music.

Giglio follows the mechanical principles developed for Mediterraneo and is one of our best creations: it redefines the traditional shape of a turntable using quality materials and technical solutions to merge tradition with technology.

The "catenary" curved plinth design derived from the Mediterraneo results in extra rigidity allowing Giglio to achieve a superior performance and delivering pure sound and details to recreate the musical event.

The new polished pulley with hourglass design allows the belt to spin smoothly reducing even more the Wow&Flutter and the rumble.

The Power Supply of the 12 Volt synchronous motor made in Swiss has been developed to ensure perfect music playback. Thanks to our proprietary power control system based on a Quadral-Core micro, Giglio can effectively reduce vibrations and develop high torque for the greatest dynamic and resolution.

The Power Supply Unit electronically controls the 33rpm and the 45rpm mode and the speed fine adjustment, storing the settings in memory.

Giglio features a 33mm thick platter made of Sustarin and a high precision bearing/spindle system engineered with ultra-low tolerance.



Recommended by Hi-Fi+

"The Gold Note is a smooth performer, with an effortless style that makes it easy to forget the mechanics of the process and enjoy the music...there was a real vista of sound that revealed the quality of playing and drew me into the music in no uncertain terms.

The interplay of the violins was particularly engaging and this combined with the turntable's inherent grasp of tone made for a real musical treat.

You get out of this turntable every bit as much as you want to put in!"

Wow & Flutter: 0,1%

Rumble: -78dB

Speed: 33 $\frac{1}{3}$ e 45 rpm +/-0,1%

Motor: 12 Volt High Torque synchronous

Platter: 33mm Ultra-Dead design in Sustarin

Dimensions: 425mm W | 200mm H | 360mm D

Weight: 15 Kg

Platter Spindle: Split-Spindle™ clamping design

Platter Bearing: Chromed steel 5mm ball bearing

Tonearm: Gold Note B-5.1 (or opt. B-7 Ceramic)

Lower plinth finish: Italian Walnut, Black or White

Upper plinth finish: Black Polished Acrylic

Metal parts finish: Black anodised aluminium

Platter finish: Black



PIANOSA

Pianosa is the latest addition to our line of Italian Turntables.

Like Mediterraneo and Giglio it offers a unique combination high quality materials and refined technical solutions to deliver audio purity.

Our passion defines all our creations, especially turntables, that we always design with great care and attention to ensure that every single detail improves the performance of this wonderful musical source.

Pianosa follows the sonic philosophy experimented with the superior models, taking advantage of the experience and knowledge we developed working on innovative shapes and quality materials to merge tradition and technology with the sole purpose of providing you the best musical experience ever.

The "catenary" curved plinth design made of Italian hardwood Walnut or lacquered MDF can only be crafted by our local artisans who carefully hand-make every single piece selected woods, shaping the core of the turntable.

The wooden plinth is coupled with a 20mm thick MDF plinth and reinforced with a 3mm stainless steel plate to provide incredible rigidity: the result is an audio performance that exceeds expectations and can rival with turntables of twice its weight.

Pianosa - like every turntable we have ever made - is ready to play out of the box and will last you for a lifetime.

The bundle includes the dedicated Gold Note B-5.1 tonearm (optionally available with a superior B-7 Ceramic tonearm) and a custom moulded transparent Dust Cover that's easy to remove thanks to our Gold Note proprietary hinges system.



hi-fi+

Easy to use, easy to live with, easy to love

"In turntable making, once you get past the super-cheap, there's two or three clear sonic directions that turntable makers follow: 'detailed' (as in 'bright'), 'majestic' (as in 'warm but slow'), or 'rhythmic' (as in 'the no-bass bounce').

The best of them combine two or more of these elements to make a sound that is well-balanced, and it's this well-balanced approach that is what the Pianosa is so good at doing.

There's no exaggeration or marked emphasis to the presentation. It's an incredibly refined sound, too, the kind you normally associate with very expensive audio equipment."

Wow & Flutter: 0,1%

Platter Spindle: Split-Spindle™ clamping design

Rumble: -77dB

Platter Bearing: Chromed steel 5mm ball bearing

Speed: 33 $\frac{1}{3}$ e 45 rpm +/-0,1%

Tonearm: Gold Note B-5.1 (or opt. B-7 Ceramic)

Motor: 12 Volt High Torque synchronous

Lower plinth finish: Italian Walnut, Black or White

Platter: 23mm Dampened Poly-Vinyl

Upper plinth finish: Black Lacquered MDF

Dimensions: 425mm W | 200mm H | 360mm D

Metal parts finish: Black anodised aluminium

Weight: 13.5 Kg

Platter finish: Black Poly-Vinyl



VALORE 425 PLUS

Valore 425 Plus is the most complete and musically satisfying turntable of its category and offers an unbeatable performance.

This elegant and smart turntable has been developed for musical pleasure and every single feature is in fact directly derived from our flagship series.

The 30mm plinth has been wisely designed and shaped to reduce vibrations and guarantee audiophile sound: despite its compact size, Valore 425 Plus supports the standard 9" tonearms installation and comes in bundle with the 9" Gold Note B-5 tonearm and the high-mass hinged Dust Cover (4mm thick).

Technical perfection and attention to materials are behind its modern beauty: the design is sober, stylish and with luxurious finishes, serving the sole purpose to extract even the finest detail from the vinyl groove.

The 60mm platter bearing and spindle is finely machined to achieve the best quality and combined with the high dampening platter in PTE makes Valore 425 Plus an extraordinary silent turntable.

The 12V synchronous motor is extremely efficient and noiseless: its high torque guarantees always very precise control over speed and low friction and vibrations.

The speed modes - 33rpm and 45rpm - are electronically controlled and can be finely adjusted to fine tune the turntable and install it faultlessly in every High-End audio system.

Available in Italian Walnut, Transparent Acrylic, lacquered in Black or White, or covered in real leather.



Recommended by Hi-Fi Choice & Hifi Pig

"Valore 425 Plus has followed a series of very talented (and generally more expensive) turntables through the test process and not once has it been anything less than a pleasure to listen to. This newcomer is just too good to ignore."

"I was pleasantly surprised at how transparent this transparent turntable was. Detail was extremely quick and vivid. It is by no means a budget player!"



Wow & Flutter: 0,2%	Platter Spindle: Split-Spindle™
Rumble: -75dB	Platter Bearing: Steel 5mm ball bearing
Speed: 33 ¹ / ₃ e 45 rpm +/-0,1%	Tonearm: Gold Note B-5 (or superior models)
Motor: 12 Volt High Torque synchronous	Plinth finish: Transparent Acrylic, Italian Walnut, Black or White
Platter: 23mm in PTE	Metal parts finish: Black or Silver anodised aluminium
Dimensions: 425mm W 170mm H 360mm D	Platter finish: Black or Opaline White
Weight: 9 Kg	



VALORE 425 LITE

The new Valore 425 Lite is the best way to enjoy vinyls, a real performer to be used in a large variety of High-End systems.

It features a 30mm thick plinth, wisely shaped around the motor and the platter's bearing to drastically reduce any vibration.

The platter is 20mm thick and with a composite design: it's made with a special sandwich of HDF covered with Poly-Acetal (POM) to enhance the overall dampening effect.

Designed with a gap of barely 3mm between the platter and the plinth, such minimum distance helps with noise reduction and allows a better rotational stability for outstanding playback and control.

Valore 425 Lite features a 9" tonearm that comes directly from our acclaimed B-5.1 model and an exclusive high quality Dust Cover that protects the turntable and can be easily removed at any time thanks to our proprietary detachable hinge system.

The high precision platter bearing and spindle comes directly from the premium models to achieve the best audio quality in the category.

Valore 425 Lite features a 12Volt High Torque motor driving the platter was developed using a special micro-controlled D/A Converter and it's able to perfectly reshape the sinusoidal AC curve.

This elegant and smart turntable has been developed for musical pleasure and every single feature is in fact directly derived from our flagship series.

Available lacquered in Black or White. Gold Note 9" tonearm and Dust Cover with hinges included.



Valore 425 Lite comes directly from the Plus model

The 12V synchronous motor is extremely efficient and noiseless: its high torque guarantees always very precise control over speed and low friction and vibrations.

The speed modes - 33rpm and 45rpm - are electronically controlled and can be finely adjusted to fine tune the turntable and install it faultlessly in every High-End audio system.

Valore 425 Lite is ready to play out of the box: the bundle includes a dedicated Gold Note B-5 9" tonearm and a custom moulded transparent Dust Cover.

Wow & Flutter: 0,3%

Platter Spindle: Split-Spindle™

Rumble: -72dB

Platter Bearing: Steel 5mm ball bearing

Speed: 33 $\frac{1}{3}$ e 45 rpm +/-0,1%

Tonearm: Gold Note 9" (or superior models)

Motor: 12 Volt High Torque

Plinth finish: Black or White Lacquered MDF

Platter: 20mm in HDF with POM

Metal parts finish: Silver anodised aluminium

Dimensions: 425mm W | 170mm H | 360mm D

Platter finish: Black

Weight: 7 Kg



TUSCANY

TUSCANY: the best MC phono cartridge made in Italy

Tuscany features an extra-thin Micro Ridge diamond tip developed in collaboration with Adamant-Namiki, the world leading diamond manufacturer: the special multi-faced cut guarantees the best contact possible with the vinyl groove.

The diamond tip is connected through a telescopic cantilever made of Boron and a pipe in Titanium to achieve outstanding rigidity and a perfect, direct connection between the diamond and the silver micro-coils.

The tracking ability of the Tuscany is also improved by the cube design that offers fantastic structural rigidity and gorgeous style, making VTA adjustments very intuitive and precise. Its ultra-light body in Aluminium 7050 is injected with fluid polymers to provide the most efficient dampening effect.

Tuscany is available in two models: Gold with an output level of 0.25mV & Red with an output level of 0.35mV.



MACHIARELLI

MACHIARELLI: a refined MC phono cartridge

Machiavelli features an high-precision Line Contact diamond tip on the Gold model and a Micro Elliptical diamond tip on the Red model, developed with Ogura the Line-Contact diamond cut inventor.

The diamond tip is connected via ultra-rigid cantilever (Boron in the Gold, Aluminium in the Red) and takes advantage of an elastic suspension in harmonic steel to increase the tracking performances, helped by the rigid designed and structure of the body realised in Aluminium 7050. The Machiavelli Series feature high performance coils can be matched with high-end audio phono preamp of any choice.

Machiavelli is available in two models: Gold with an output level of 0.4mV & Red with an output level of 2mV allows to be matched with MM phono stage too.



DONATELLO

DONATELLO: the ultra lightweight MC phono cartridge

Donatello features a high-precision Micro Elliptical diamond tip developed with Adamant-Namiki that is mechanically inserted and blocked into a stiffened Aluminium cantilever connected to a Titanium telescopic seat to increase the overall rigidity of the cartridge and provide excellent tracking.

To create Donatello we engineered the best sounding cartridge of its category in a machined Aluminium body so light that it can perform at its best on every tone-arm: weighting only 7 grams and with a beautiful body perfectly damped, this cartridge is an ideal companion for any tonearm and turntable matching.

Donatello is available in two models: Gold with an output level of 0.50mV & Red with an output level of 1.80mV.



VASARI

VASARI: the new MM phono cartridge

Vasari features an Elliptical diamond tip on the Gold and a Conical diamond tip on the Red, both designed specifically for this cartridge, combining style and technology: the innovative and beautiful design of this cartridge, realised with the help of computer modelling, has been created to achieve the peak performance an MM can deliver.

The result is enhanced rigidity of the cartridge and better tracking performances, achieving wider and smoother bandwidth response.

Its high dampening structure, made of quality materials, and the ultra-rigid Aluminium cantilever make Vasari a superb tracker able to extract all the information from the vinyl groove.

Vasari is available in two models, Gold & Red, both with an output level of 4mV.



PH-10

The most awarded Phono Stage

PH-10 is an ultra-versatile phono preamplifier that offers unique features, including EQ CURVES, LOAD and GAIN adjustments: a fully analogue design engineered exclusively with the best components.

To control PH-10 we developed SKC, a unique technology that combined with the TFT display allows quickly changes and adjustments of any function through the single knob joggle.

6 EQ curves

You will finally be able to select the most appropriate EQ curve for every record: the RIAA, the DECCA-LONDON or the AMERICAN-CBS-COLUMBIA, always shown on the display.

You will also be able to “enhance” each curve with a modern Gold Note proprietary design derived from the Neumann master cut machine project for superior dynamic and powerful results.

9 LOAD options + 4 GAIN options

The perfect setup is guaranteed with 9 different LOAD options [10Ω, 22Ω, 47Ω, 100Ω, 220Ω, 470Ω, 1000Ω, 22KΩ, 47KΩ] and 4 different selectable GAIN levels [-3dB, 0dB, +3dB, +6dB] that will let you adjust the preamp to accurately achieve the best sound experience with any kind of MM and MC cartridges.

Connect 2 cartridges or turntables

With two separate RCA inputs PH-10 can be connected to two different tonearms, each with independent adjustable settings.



Recommended by Mono&Stereo, TONE Audio, HiFi Pig and Hi-Fi+



Winner of the Writers' Choice Award on Positive Feedback



"We have had the PH-10 here for a decent enough time for me to say that, at \$1390, it is a no-brainer.

The unit is elegant throughout, works as advertised, and serves the music as any phono stage should.

Not sure how they are doing this for so little compared to the stages above it price-wise, but damn. Highly recommended!"

Analogue Inputs: 2 separate independent stereo RCA	Output Impedance: 50Ω
Subsonic Filter: 10Hz/36dB octave	Line Output level (fixed): 2V (RCA), 4V (XLR)
THD - Total Harmonic Distortion: <0.05% MAX	Input Sensitivity: 0.1mV MC & 7.0mV MM
Signal to Noise Ratio: -89dB	Dimensions: 220mm W 80mm H 260mm D
Dynamic Response: 105dB	Weight: 3 Kg
Frequency Response: 20Hz/20KHz [Enh. 20Hz/50KHz] @ +/-0.3dB	



IS-1000

The audiophile All-In-One amp

Imagine a complete High-End stereo system enclosed in a beautiful aluminium chassis carved in bold Italian style: this is IS-1000.

With the knowledge and the experience developed in over 20 years of research, we are now able to offer an all-in-one solution powered by the most advanced technologies and components to achieve true audiophile quality sound.

IS-1000 is an advanced fully integrated amplifier that redefines the way music playback is experienced to achieve a new pinnacle in High-End audio, seamlessly merging a powerful Class A/B Integrated Amplifier, an MM/MC Phono Preamp, an High-End DAC and a Streamer in a unique, complete source.

The refined technical innovations of IS-1000 come directly from our flagship models, like the preamplifier P-1000 and the power amplifier PA-1175, which inspired us to create a new source that would integrate the analogue components of a Class A/B amplifier with the digital technologies of a Streamer and a DAC to deliver outstanding audio quality.

IS-1000 is a Roon Ready device, fully compatible with multi-room systems and with a quick plug&play installation: simply plug IS-1000 to the main A/C, connect it to your network (Wi-Fi or Ethernet) then to the speakers and start to explore the endless possibilities of music, streaming from Tidal & MQA via Tidal, Qobuz, Spotify & Spotify Connect and Deezer with Roon and our App [available for iOS and Android] or browsing your collection of digital music stored locally on NAS and USB sticks (DSD 64 native and via DoP on USB and LAN, PCM up to 24/192 with exclusive possible option to interchange the DAC converter PCB).

You don't need anything else to experience at home the pleasure of high definition audio, just IS-1000 and your speakers. It's really that simple.



TONEAudio

“Overall Product of the Year 2018” for Tone Audio

“Featuring an integral phono stage, based on the circuitry of the PH-10 that we already love, a built in DAC and streamer and a 125 watt per channel power amplifier, this beauty is a perfect solution for those wanting high quality, maximum versatility (did we tell you it has six digital inputs) and a convenient form factor. The only question left is: black or silver?”...

The IS-1000 Class A/B amplifier 125watt/8Ω per channel guarantees the pure sound, vivid dynamics and the finest detail, offering a wide range of digital and analogue inputs to assure total control and freedom to upgrade, expand or connect more devices to IS-1000.

Integrated Amplifier: Class A/B High-Current Mosfet design 125@8Ω per channel

DAC: High quality BurrBrown PCM1796 (optionally high-end model PCM1792A)

Phono Stage: developed from the awarded PH-10 for MM & MC cartridges

DSD Ready: DSD 64 native and via DoP

3 Analogue Inputs: 1 XLR, 2 RCA (1 Line&Phono MM/MC, 1 Line&AV-In)

5 Digital Inputs (PCM up to 24/192): 3 Optical-TOS, 1 Coax, 1 USB A (DSD 64 native and via DoP)

1 Net Input: LAN & Wi-Fi (DSD 64 native and via DoP)

2 RCA Outputs: 1 RCA fixed, 1 RCA variable

Dimensions: 430mm W x 130mm H x 375mm W

Weight: 18 Kg



DS-1000 MK II

The DAC for digital Audiophiles

DS-1000 is the best D/A Converter we have ever made: a true High-End DAC capable of delivering audiophile audio quality from digital files with also Network Player functions to help you enjoy your favourite music, always with the greatest dynamics, detail and realism.

The DS-1000 offers high-resolution digital inputs to convert native PCM audio files up to 24bit/192kHz via S/Pdif coaxial and TOS-Optical inputs. It's also equipped with one USB host input to convert PCM audio files and DSD 64/128/256.

DS-1000 is a D/A Converter with native DSD 64/128/256 and PCM up to 24bit/192kHz compatibility via USB, LAN and Wi-Fi through a cutting edge Burr-Brown PCM1792A featuring Coax and Optical inputs to guarantee the best native resolution.

Optionally DS-1000 can be upgraded with the preamplifier stage as well as an XLR balanced analog input: with such upgrades the unit becomes almost an All-In-One audiophile digital source, the heart of an advanced High End audio system that will deliver always the best audio quality.

Our proprietary SKC technology - Single Knob Control - combined with the TFT display makes it easy and quick to conveniently control the DS-1000 using a single knob joggle.

DS-1000 is easy to set up and can be completely controlled via App with iOS and Android portable devices, like iPhone, iPad, smartphones and tablets.

The App makes it easy to control the digital inputs, showing meta-data, covers and information registered on the track as well as the real resolution format playing.



Recommended by NOVO

"At \$5,000 US, the DS-1000 is simply the best sounding and best equipped high-end DAC/streamer that I've had the pleasure of auditioning. It also offers one of the best graphic interfaces on its front panel and in the Gold Note app, both very important factors in a streamer. Very well done Gold Note!"



D/A Converter: PCM up to 24bit/192kHz, DSD 64/128/256 native & via DoP	Digital Inputs: 1 RCA S/PDIF coaxial, 1 TOS- synchronous 24bit/192kHz
Frequency response: 5Hz - 200kHz @ ± 0.3dB	USB Inputs: 2 USB-A on the front, 1 USB-B on the rear
THD – Total Harmonic Distortion: <0.01%	Analog Input (on demand): stereo balanced XLR
Signal to Noise ratio: -125dB	Line Output Level (fixed): RCA @ 2V, XLR @ 4 V
Dynamic Response: 129dB	Digital Output: S/PDIF, 75Ω RCA 24bit
Output Impedance: 50Ω	Dimensions: 430mm W x 135mm H x 375mm W
Digital Filter: Gold Note Zero-Clock™	Weight: 11 Kg



CD-1000 MK II

A complete source for digital, high quality music

CD-1000 is a state-of-the-art CD-player that integrates digital stage and analogue stage in one, elegant source.

In addition to being a CD-player, CD-1000 integrates also the DAC function featuring S/PDIF Coaxial and TOS-Optical digital inputs. The high-resolution D/A stage is entrusted to the top of the range converter from Burr Brown. It's possible to choose between PCM1796 and PCM1792. The S/PDIF coaxial and TOS optical digital inputs are managed by the AKM receiver up to the frequency of 192kHz. Moreover, an USB port with a customised processor is available on demand. All these components confer a complete versatility which permits various uses of the cd-player: in addition to listening to CDs, it can be connected to the TV/DVD-Player via the coaxial and optical connections and it can be used for audio streaming from the computer via the optional USB port.

The Aluminium transport mechanism custom made in Austria drawer type based, JPL2800 is one of the best worldwide, provides a guaranteed maximum stability of rotation supplying a digital signal with extremely low jitter levels.

CD-1000 optionally features a digital volume control stage to drive power amplifiers or active speakers directly. All the information of the CD-player like track numbers and time passed is always shown on the big O-Led 3D display. The output stage is solid state, fully balanced and uses operational circuits with very low noise and distortion from Burr Brown in Dual-Mono configuration.

Powered by the GN Dual-Mono power supply with two encapsulated toroidal transformers custom made in Italy, the absolute quality of these components guarantees ultra low dispersion and optimal energetic performance. All of this is perceivable as natural clean, detailed and accurate sound.

The air vents are an example of the integration of design and functionality which take form from our multi awarded PH-10 phono stage and feature all the Gold Note electronics, turning them immediately recognisable.



Recommended by 6moons



"...The CD-1000 makes a most convincing argument for the defense of integration... The build is tank-like, looks are far finer than earlier... You could spend €3'000 on just a DAC like a Vega or Veritas and get behind on performance. Whilst I can't comment on upgrade headroom by way of the various outboard options, I would be in no hurry to exercise any of them. Acknowledging that boutique hifi is always about personalities and flavours which reflect a designer's ideals, the CD-1000 is a more refined take on classic Burson sound... Even so, if it's warm but dry, full-bodied earthy transistor sound you're after from a digital source—if you want chewy chunks in your soup rather than run it through the blender first—the Gold Note delivers it in spades."

CD-1000 MK II SPECIFICATION

D/A Converter: PCM up to 24bit/192kHz DAC PCM1796 (opt. PCM1792A)	Digital Inputs: 1 RCA S/PDIF coaxial, 1 TOS- synchronous 24bit/192kHz (optional USB input)
Frequency response: 5Hz - 200kHz @ ± 0.3dB	Line Output Level: RCA @ 2V, XLR @ 4 V
THD – Total Harmonic Distortion: <0.01%	Digital Output: S/PDIF, 75Ω RCA 24bit
Signal to Noise ratio: -125dB	Dimensions: 430mm W x 135mm H x 375mm W
Dynamic Response: 129dB	Weight: 12 Kg
Output Impedance: 50Ω	

Digital Filter: Gold Note Zero-Clock™



P-1000

The ultra-balanced Preamplifier

Designed for High-End systems, P-1000 is an innovative Class-A line preamplifier powered by a new proprietary Six Gain Stage design with Relays & Optical ALPS Encoder volume control and the best audio grade components to bring your system to a whole new level: the exclusive Gold Note Ultra-Balanced design featuring Six Single Gain stages provide incredible low distortion and extended linear bandwidth for true superior musicality.

P-1000 belongs to a new era of electronics where performance is combined with technology to offer the best possible musical experience: tradition and innovation meet to create a unique preamplifier with crystal clear sound.

Featuring a Triple Linear Transformer power supply and 10 independent stereo inputs, 5 fully balanced XLR, 5 RCA (optionally even a digital input is available on demand). The preamplifier offers a large amount of functions: Mono/Stereo selection, Left/Right channel swap, Absolute Phase swap, Booster technology and fine Balance tuning.

To perfectly reproduce even old recordings, the preamplifier can in fact be set into Mono or Stereo mode. It also allows to swap the Left & Right channels to allow the reproduction of inverted recordings as well as the absolute phase swap from 0° to 180°.

For P-1000 we developed the Booster technology: a feature that will allow you to get the best out of speakers that require robust power supplies providing greater energy in a very specific range of low frequencies (the Booster is completely by-passed when set to OFF).

The preamplifier it's easy to control with its large colour display showing all possible functions: it's as easy as it gets, all the settings can be found on the display allowing quick and precise fine adjustments.



Recommended by 6moons

"Gold Note's fully balanced preamplifier showed itself as a very high-resolution essentially neutral performer whose key strengths were tremendous depth of field, masterful un-tanglement of complex interludes and, directly related, very high magnification powers of subtle detail."



Frequency Response: 2Hz - 200kHz @ ± 3dB	Booster: adjustable or OFF
THD – Total Harmonic Distortion: <0.001% @ 1kHz	Power supply: Dual-Mono Ultra Linear
Gain: + 20dB – 10V	Analogue Input: 5 stereo XLR balanced, 5 Stereo RCA
Signal to Noise ratio: - 120dB	Digital Input (optional): TOS or Coax 24/192kHz
Channel Separation: > 118dB	Input Level: 10Vrms on RCA
Stereo/Mono mode: selectable	Input Impedance: 100KΩ
Absolute Phase swap: 0°/180°	Dimensions: 430mm W x 130mm H x 375mm W
Channel Left/Right swap: selectable	Weight: 11 Kg



PA-1175 MK II

The contemporary Power Amplifier

PA-1175 is our first stereo Power Amplifier: a new design that features 4 matched pair of transistors per channel with a proprietary Gold Note Optical BIAS and a constant current generator to achieve high-current and high-power rates with ultra low distortion.

Our proprietary and innovative Optical BIAS control the voltage reference of the unit: it features optical decoupling to overcome the inefficient and downgrading solutions of traditional electronics, optically analysing the audio signal while being completely separated from the audio signal path for the highest protection and unbeatable performance.

To avoid any RFI and Emi potential issue, we have built PA-1175 starting with a massive solid steel chassis and adding thick aluminium panels.

The BTL technology [Bridge-Tied-Load] allows the unit to be easily bridged in order to work as a mono amplifier, more than doubling its already great power rate from 200W per channel @ 8ohm up to a considerably over 500W per channel.

The flexibility of PA-1175 and its performance can be pushed even further when used as a mono unit with speakers that really requires high power, massive energy and quality watts.

For PA-1175 we developed a custom 640VA toroidal transformer with a unique cut spiral nucleus: the refined mechanical process makes the nucleus completely stable, cancelling any mechanical vibration to guarantee a terrific effect and perfect insulation, further enhanced by the use of original Ducati silent blocks.

A secondary small 6VA transformer powers the auxiliary functions with dedicated circuits outside of the audio signal path.



Adjustable Damping Factor

PA-1175 is a unique power amplifier: it features an adjustable damping factor technology that can easily selected straight from the frontal panel.

Setting the Damping Factor to 250 or 25 will help finding the ideal match between PA-1175 and speakers: use a 250DF to get the power and control necessary to drive large, difficult speakers or set it on 25DF to use it as a low power tube amplifier, perfect to drive high sensitivity speakers and smaller speakers.

Power Output: 200W@8Ω per channel [520W@8Ω in mono BTL]	Input Sensitivity RCA: 1000mV
Frequency Response: 1Hz - 100kHz @ ± 1dB	Input Sensitivity XLR: 4000mV
THD – Total Harmonic Distortion: <0.01% @ 20Hz/20kHz	Input Impedance: 47KΩ
Signal to Noise ratio: - 110dB	Power Consumption: 1200W max - 1,2 W idle
Damping Factor: selectable 250 or 25	Main Supply: 100V to 245V, 50/60Hz
Slew Rate: 20V/μs	Dimensions: 430mm W x 135mm H x 370mm W
Power Transformers: 640VA custom GN toroidal	Weight: 22 Kg



TUBE Output Stage

Class A Vacuum Tube output stage

TUBE-1012 & TUBE-1006 are the best way to improve even further the Gold Note sources reaching a new level of performance through the Class A 12 or 6 tubes output stages.

Gold Note products are all solid state designs, capable of great quality, control and definition providing outstanding realism in recreating the musical event. The idea designing TUBE-1012 & TUBE-1006 was offering the quality of the sound of the tubes to every product to achieve the best of the two technologies, Solid State and Tube in perfect synergy.

Our proprietary Totem-Pole Output Stage design, with six independent stages per single tube, provides ultra-wide bandwidth response and the lowest distortion to the audio signal.

TUBE-1012 & TUBE-1006 are easy to connect and control, they also feature a dedicated MUTE button for maximum convenience.

TUBE-1012 & TUBE-1006 can match: CD1000, DS-1000, P-1000 & PH-1000



TUBE-1006 Specification

TUBE-1006 is a 6 tubes unit 4 of which dedicated to the audio signal path and 2 to the drivers powered within two transformers in Dual Mono. Also TUBE-1006 features an extra power transformer for service stage completely out the audio signal path.

Input Sensitivity: 4Vrms

Gain: +3,5 dB

Max Input: 8Vrms linear

Tubes: nr. 6 x 6n1p

Max Output: 20Vrms @ XLR & 10Vrms @ RCA

No coupling transformers on the IN/OUT

TUBE-1012 Specification

TUBE-1012 is a 12 tubes unit 8 of which dedicated to the audio signal path and 4 to the drivers inductively powered within the use of 6 transformers in a virtual battery design. Besides TUBE-1012 features 2 extra power transformers for service stage completely out the audio signal path.

Input Sensitivity: 4Vrms

Gain: +3,5 dB

Max Input: 8Vrms linear

Tubes: nr. 12 x 6n1p

Max Output: 20Vrms @ XLR & 10Vrms @ RCA

No coupling transformers on the IN/OUT



PSU-1250 & PSU-1000

PSU-1250 & PSU-1000 have been developed to over drive all 1000 series line units to achieve the best resolution.

Powered with Super Inductive Dual Choke hybrid design they feature an inductive filter on the analogue stage and a dual choke design controlled by a double inductor driving both the negative and positive high-current stages. Such Gold Note proprietary technology perfectly filters the signal voltages to eliminate interference and electrical noise from the AC power system.

PSU-1250 & PSU-1000 massive over 1000 watt design guarantees ultra-clean power enhancing noise reduction, greater dynamic, better resolution and finer details achieving the best realism and musicality.

PSU-1250 is powered by 9 transformers: 3 exclusively dedicated to the power supply, 5 for the inductive choke filter, 1 for the galvanic insulation of the audio stage.

PSU-1000 is powered by 5 transformers: 3 dedicated to the power supply, 1 for the inductive choke filter, 1 for the galvanic insulation of the audio stage.

PSU-1250 & PSU-1000 can match: CD1000, DS-1000, P-1000 & PH-1000

DIMENSIONS & WEIGHT 425mm L | 110mm H | 360mm D - 22/20 Kg



PSU-10

The PSU-10 is a super inductive power supply exclusively designed for the PH-10 phono stage.

Engineered with the best quality audio-grade components PSU-10 features a dual choke design powered by a double inductor driving the negative and positive high current stages and featuring an inductive filter on the analogue stage.

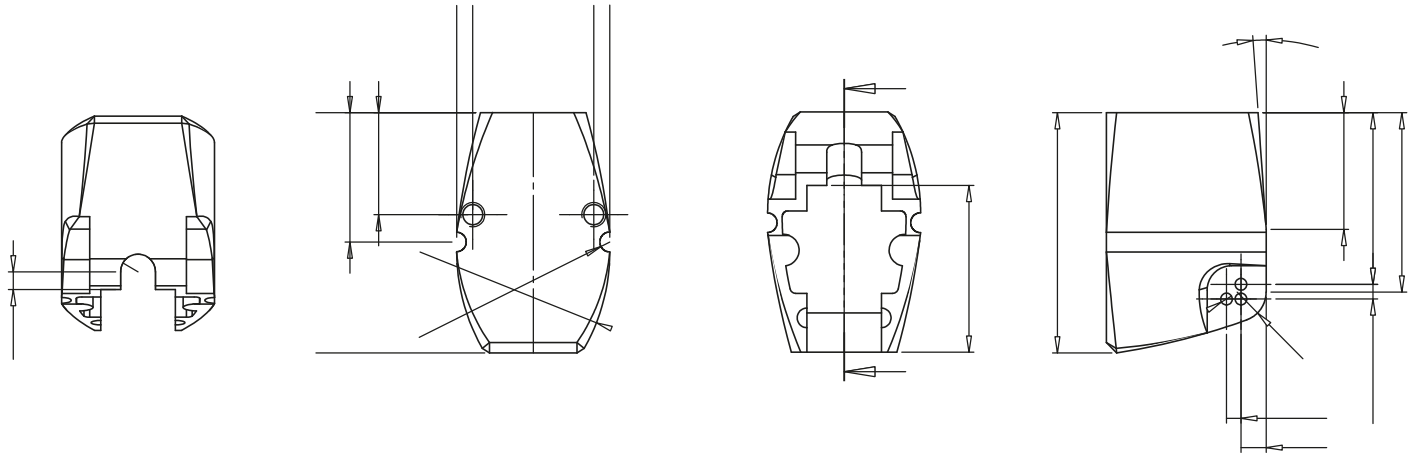
The Gold Note proprietary Dual Chokes Design perfectly filters the signal voltages in order to eliminate all the possible electrical noise coming from the AC power system.

The PSU-10 uses its massive power supply to shield the PH-10 phono stage from electro-magnetic interferences thus insulating it effectively from the AC power system.

The large, ultra-clean power enhances super low noise, greater dynamic, better resolution and finer details for a more realistic high-end audio performance and pure audio pleasure.

The PSU-10 can deliver high quality power using 4 transformers 3 of which are dedicated exclusively to the pure power supply and with 1 separated transformer dedicated to the inductive filter.

PSU-10 is able to help PH-10 extracting every single detail guaranteeing the best dynamic, resolution and realism music experience listening to vinyl.



CAD drawing of the Vasari

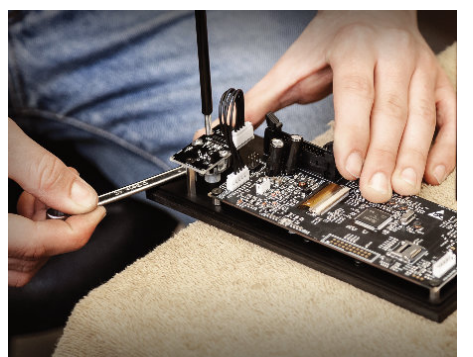
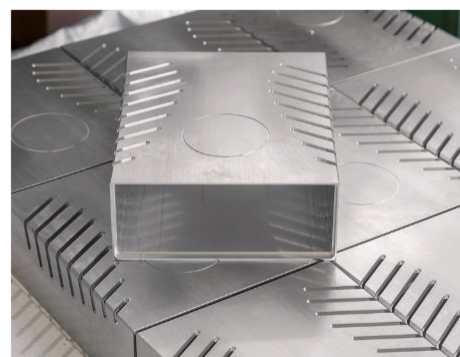
Materials & Craftsmanship

We love Italian woods, they are one of the best materials due to their fantastic properties and fabulous looks but it takes a true Master to handcraft the unusual shapes we need, we are lucky enough to collaborate with one of the best wood makers available today - based in North Italy - whose skill is still unmatched.

His extraordinary ability made possible the creation of special turntables like the Mediterraneo of which the design is inspired to the catenary curves created by Michelangelo & Galileo in Florence during the Renaissance in the XVI century. To make its plinth extreme talent is required. Every single plinth is completely handmade so each piece is unique and still the precision has to be absolute to achieve the result we want.



For our line of electronics we chose Aluminium, one of the best metals for audio applications: the CNC machines work non-stop to carve the metal and shape it with utmost precision so that our technicians can assemble the chassis and the components perfectly.



We are proud to be the only Italian audio company capable of providing such complete control from start to finish.

We strongly believe this is the only way to manufacture real High End audio components.

When you choose one of our products and start listening, this is what you hear:

innovative solutions engineered with the best audio grade components, countless hours of testing, precision machining, tasteful design directly inspired by the Florentine Renaissance genius of Michelangelo & Galileo and handcrafting Italian mastery; but most of all, you hear our infinite passion and love for audio bringing the full emotion of music to you.

Florence, Tuscany

GOLD NOTE
il suono italiano





45 RPM 33 1/3 RPM

GOLD  NOTE

VIA DELLA GORA 6, MONTESPERTOLI (FIRENZE), ITALY 50025 - PH +39 0571 675005
copyright © 2018 Akamai s.r.l. - Firenze - Italy | VAT Number 05751200485 | All rights reserved

www.goldnote.it

