

V E L A



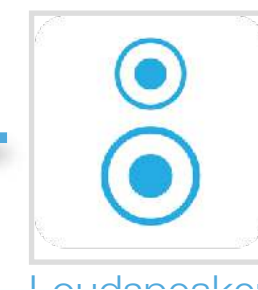
*BREAKING NEWS September 2020*

Expanding the Vela Family with the new...

## VELA FS 408







BREAKING NEWS September 2020

The new VELA FS 408 is a midsize floorstanding speaker featuring all the great technology and beloved design elements of the highly successful VELA series.

VELA 408 complements the existing lineup of the compact VELA FS 407 and the full-size VELA FS 409 floorstanding speakers.

VELA FS 408 features a 2½-way concept in a vented cabinet with two 180 mm AS-XR woofers and a JET5 tweeter.



VELA FS 409



VELA FS 408



VELA FS 407



VELA BS 403



VELA CC 401



## BREAKING NEWS September 2020

The VELA FS 408 woofers are equipped with powerful magnet systems and feature a long-stroke design. This combination allows breathtaking performance in the low frequency range while the integrated AS-XR technology ensures highest accuracy in mid frequency range reproduction.

As always within the VELA line the JET5 tweeter completes the driver setup with its ease in performing and the capability to present the air-band.

The superior output of VELA FS 408 in the low frequency range is an update to the great performing VELA FS 407. The narrowed dispersion in midrange however differs to the one of VELA FS 409 offering more choices to find the perfect match in terms of room acoustics and personal taste.





VELA Series	VELA FS 408
Height x Width x Depth	1142 x 276 x 332 mm
Weight	27,1 kg
Type	2 ½-Way, bass reflex
Woofers	2 x 180 mm Ø, AS XR cone
Midrange	(180 mm)
Tweeter	1 x JET 5
Crossover frequency	450   2550 Hz
Frequency range (IEC 268-5)	28 - 50000 Hz
Sensitivity	88,5 dB at 2,83 V/m
Suitable for amplifiers from ... to	4 - 8 Ω
Recommended amplifier power	40 - 400 W/channel
Nominal   Peak power handling	150   220 W
Nominal   Minimum impedance	4   3,6 Ω at 180 Hz
Finishes	Black High Gloss, White High Gloss
Accessories Included	Base plate, bi-wiring set, M8 spiked/washer



**Available from October 2020**



## VELA OVERVIEW

May 2017

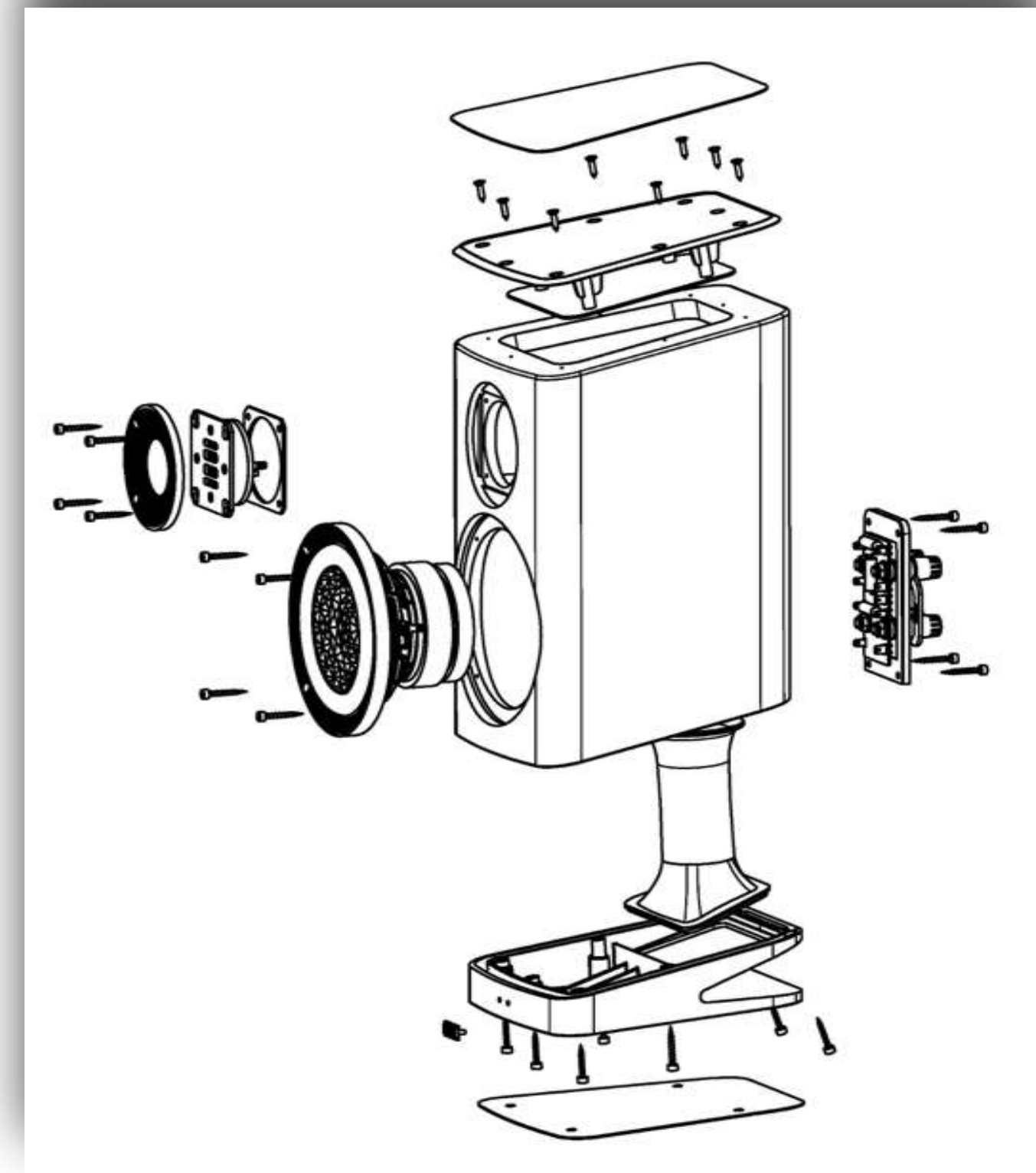
Our goal was to build on the success of the iconic Elac 400 series

We wanted to maintain its heritage and sound characteristics with a modern contemporary design yet unmistakably Elac.

Our key objectives were :

- Change the base, make the port tube invisible
- Give some shape and add material to beautify
- Use die cast baskets with diamond cut but remove rectangular metal around driver
- Use improved crystal woofer and Jet 5
- Preserve the traditional look but modernize it

## **Our design goal !**



Introducing the Vela Series!

We have taken our iconic 400 series and reimagined it, bringing a modern contemporary design inspired by the Life of Sound!

A refined design, yet traditionally Elac.



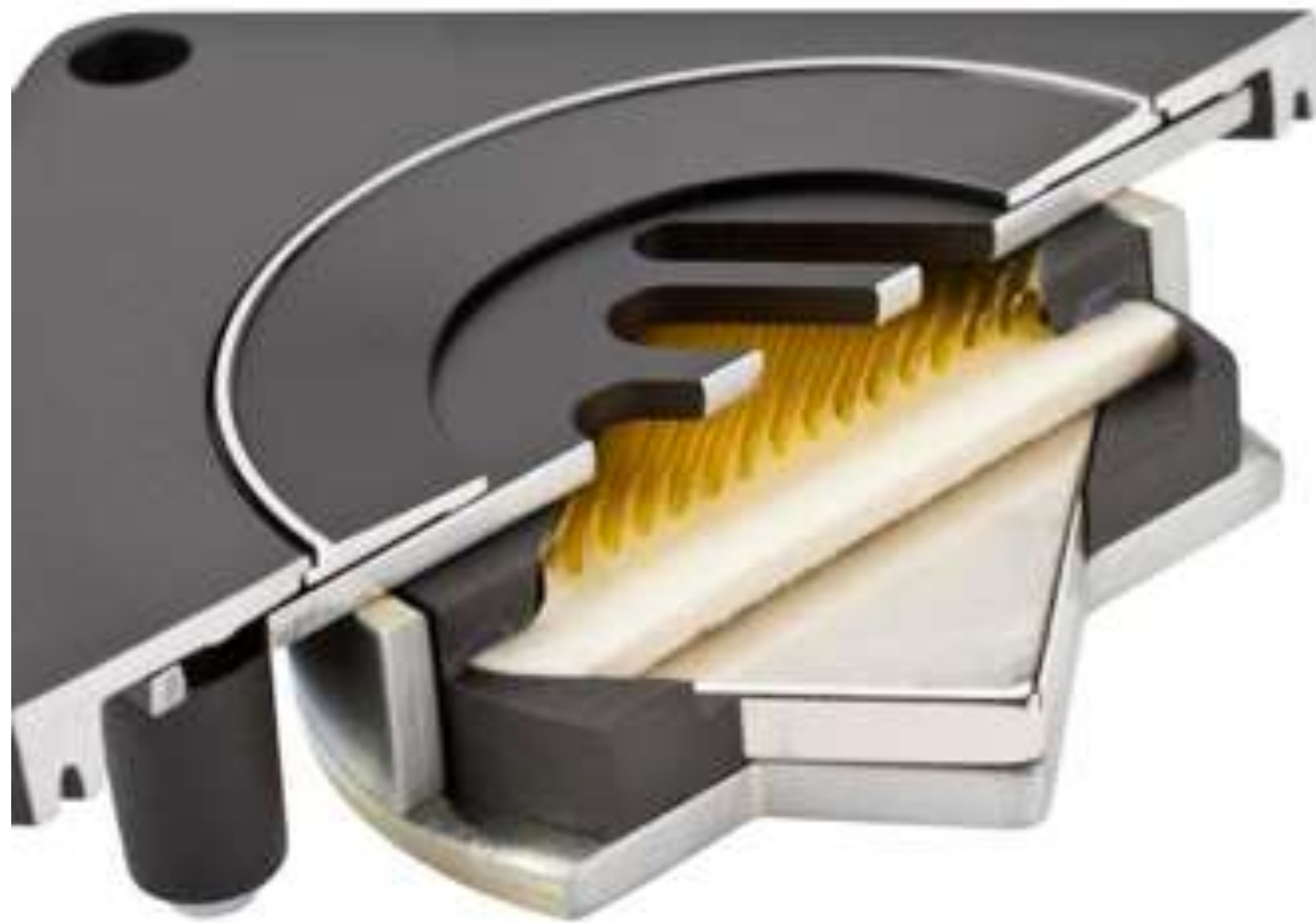


## *The Benefits of Vela Design*

- Crystal membrane woofer with extended frequency range
- Jet 5 tweeter offering wide dynamic range
- Bi-wiring configuration to enhance midrange
- Die cast bottom plate with an integrated double flanged super silent down-firing bass reflex port
- Convex baffle shape reducing reflections

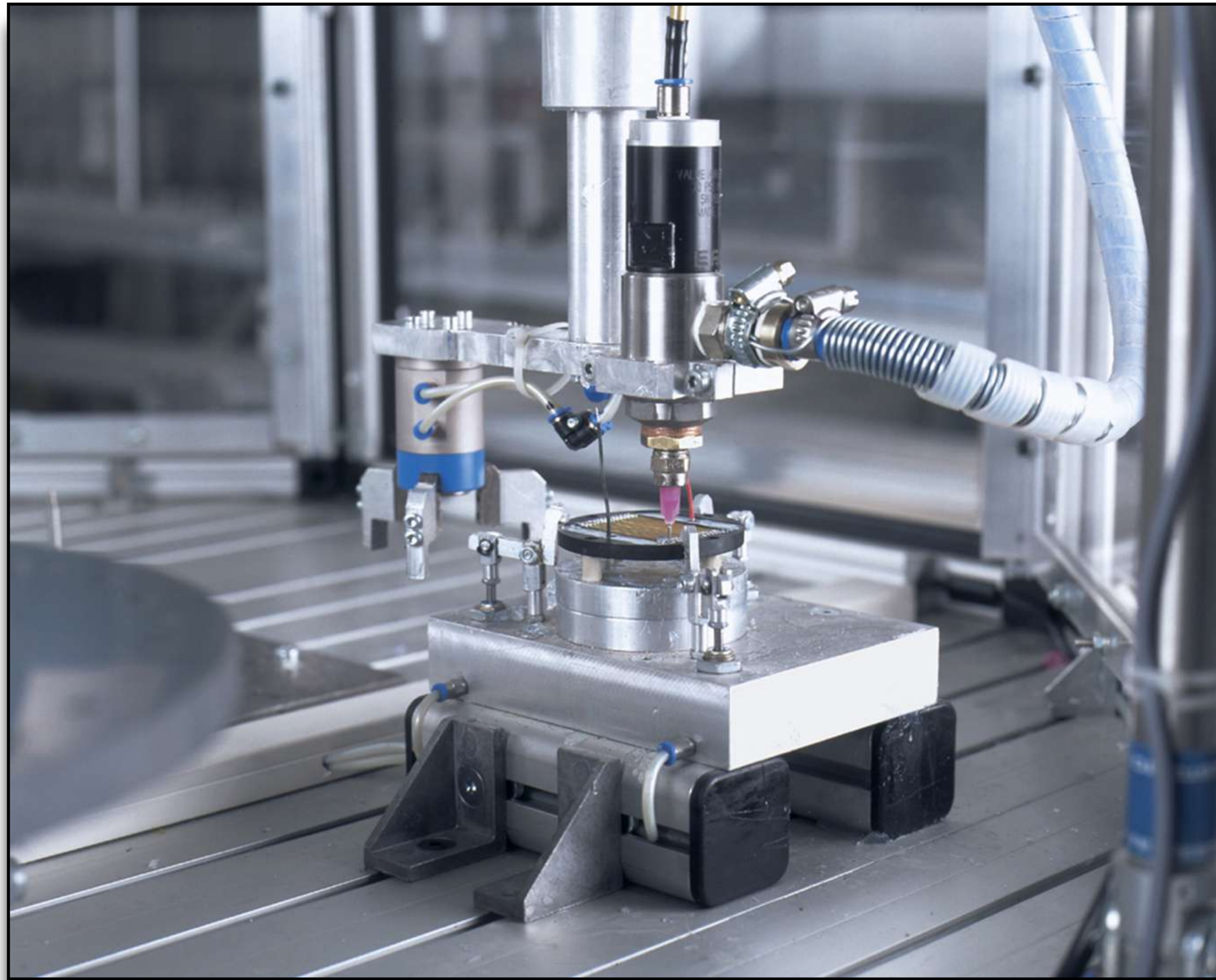


## *Elac Jet Technology*



- Elac's Jet tweeter is one of the most legendary tweeters in our industry; having being honoured with many accolades for transparency and sound image.
- Linear frequency response > 50kHz
- Extended lower frequency range ~ 400 Hz
- Ultra fast transient response - detail resolution
- Cope with ultra high harmonics - adding some of the air and sense of space



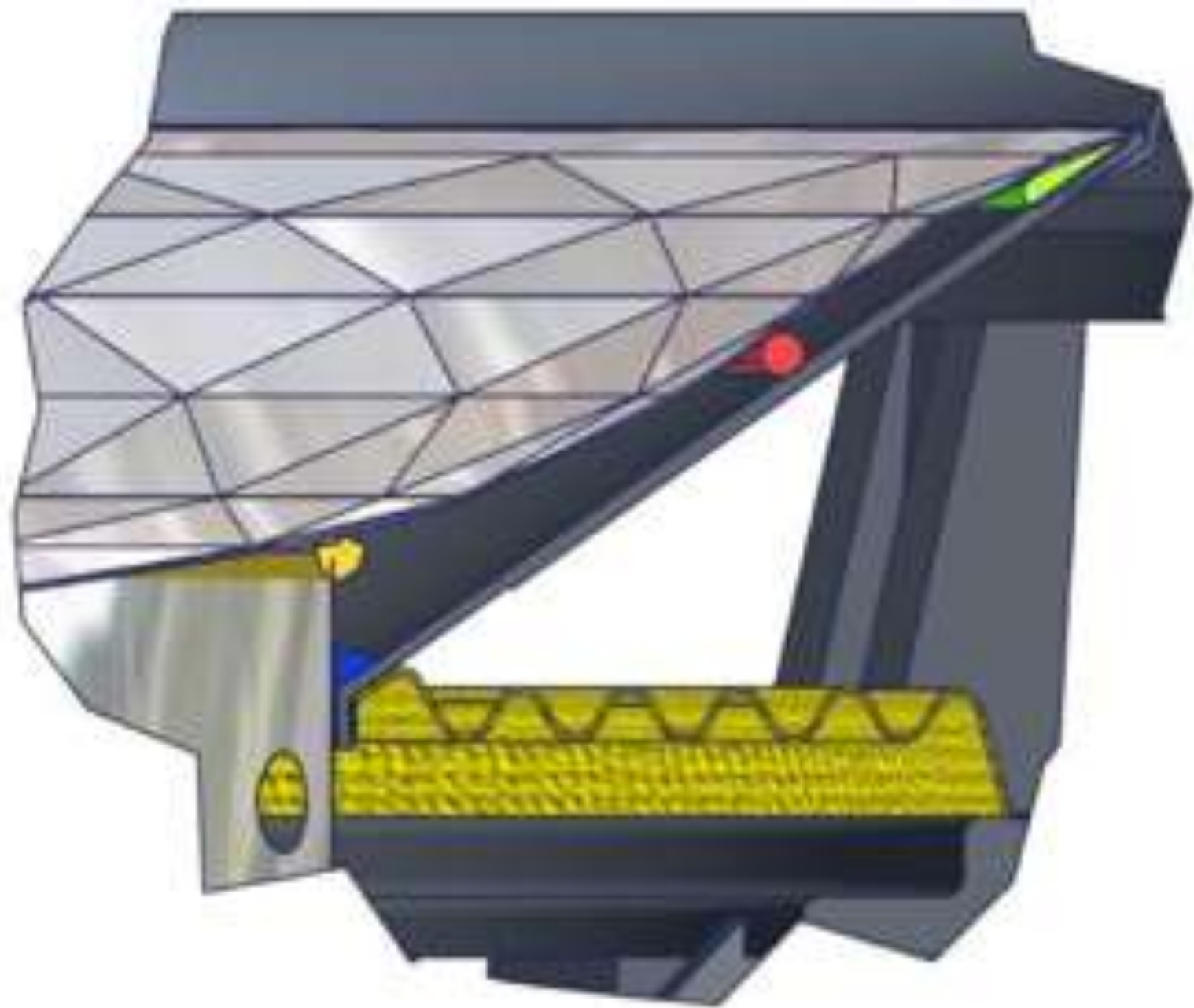


## *Elac Jet Technology*

- Designed and manufactured by Elac in Kiel, Germany

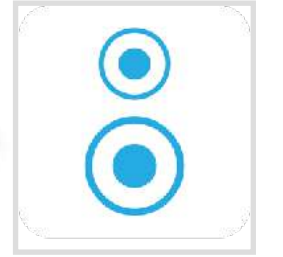


## Elac AS-XR Technology



- **A**luminum **S**andwich Membrane with **E**xtended frequency **R**ange (AS-XR)
  - Extended frequency response and increased stability
  - Increased stiffness
  - Smooth roll off
  - Excellent large signal behaviour





## *Elac AS-XR Technology*

- The crystal-shaped aluminum cone is joined to the paper cone in a special gluing process to result in the desired sandwich construction.
- Resembling the surface of a large crystal, the aluminum-foil stamping stiffens the aluminum cone, diminishing resonances and minimizing coloration, while improving power handling and dynamics



## Design Elements



- Vanishing Point
- Minimal front baffle visual impact
- Eliminating the visual of a front port



- Integrating luxury material and finishes and highlighting their use



## Design Elements



- Strength and beauty



- Moving away from square lines and maintaining tradition

## Design Elements



- Simple lines minimizing visual complexity



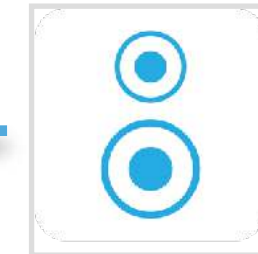
- Slight tilt to give the illusion of eye contact creating personal connection between you and the speaker.



## The Simple Specs



VELA Series	VELA FS 409	VELA FS 408	VELA FS 407	VELA BS 403	VELA CC 401
Height x Width x Depth	1307 x 276 x 332 mm	1142 x 276 x 332 mm	1000 x 229 x 266 mm	362 x 191 x 240 mm	191 x 653 x 233 mm
Weight	32,1 kg	27,1 kg	19,1 kg	7,1 kg	11,8 kg
Type	3 ½-Way, bass reflex	2 ½-Way, bass reflex	2 ½-Way, bass reflex	2-Way, bass reflex	2 ½-Way, bass reflex
Woofer	2 x 180 mm Ø, AS XR cone	2 x 180 mm Ø, AS XR cone	2 x 150 mm Ø, AS XR cone	1 x 150 mm Ø, AS XR cone	2 x 150 mm Ø, AS XR cone
Midrange	1 x 150 mm Ø, AS XR cone	(180 mm)	(150 mm)	-	(150 mm)
Tweeter	1 x JET 5	1 x JET 5	1 x JET 5	1 x JET 5	1 x JET 5
Crossover frequency	140   360   2700 Hz	450   2550 Hz	450   2400 Hz	2400 Hz	450   2400 Hz
Frequency range (IEC 268-5)	28 - 50000 Hz	28 - 50000 Hz	30 - 50000 Hz	41 - 50000 Hz	32 - 50000 Hz
Sensitivity	89 dB at 2,83 V/m	88,5 dB at 2,83 V/m	88 dB at 2,83 V/m	86 dB at 2,83 V/m	88,5 dB at 2,83 V/m
Suitable for amplifiers from ... to	4 - 8 Ω	4 - 8 Ω	4 - 8 Ω	4 - 8 Ω	4 - 8 Ω
Recommended amplifier power	40 - 450 W/channel	40 - 400 W/channel	40 - 300 W/channel	40 - 200 W/channel	40 - 250 W/channel
Nominal   Peak power handling	200   280 W	150   220 W	130   170 W	70   100 W	120   160 W
Nominal   Minimum impedance	4   3,4 Ω at 105 Hz	4   3,6 Ω at 180 Hz	4   3,5 Ω at 200 Hz	4   3,2 Ω at 260 Hz	4   3,6 Ω at 180 Hz
Finishes	Black High Gloss, White High Gloss, Walnut High Gloss	Black High Gloss, White High Gloss	Black High Gloss, White High Gloss, Walnut High Gloss	Black High Gloss, White High Gloss, Walnut High Gloss	Black High Gloss, White High Gloss, Walnut High Gloss
Accessories Included	Base plate, bi-wiring set, M8 spiked/washer	Base plate, bi-wiring set, M8 spiked/washer	Base plate, bi-wiring set, M8 spiked/washer	Base plate, bi-wiring set, M8 spiked/washer	Base plate, bi-wiring set, M8 spiked/washer



Loudspeaker

Vela 408



Vela 408



Miracord 90

VELA



## Accessories



Grille Sets for all Vela speakers

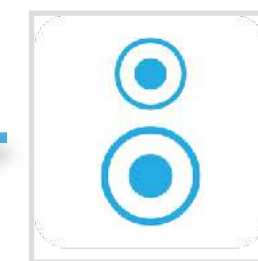


LS 80 Grey



LS 50 Black/White





V E L A