

TANNOY

Revolution XT



Revolution **reinvented**

Advance Information

Revolution XT

Revolution XT marks a far-reaching overhaul and dramatic upgrade of Tannoy's best-selling Revolution loudspeaker series. While retaining the unique, trapezoid cabinet shape, radical acoustic engineering and new patent pending Tannoy technologies mean sweeping changes are now incorporated.

Based on a completely new Omnimagnet™ powered Dual Concentric™ driver, Revolution XT models deliver a natural and engaging sound with exceptional imaging, wide HF dispersion and deep, articulate bass.

Hand built with premium audiophile components, the crossover's 'simple, straight' design philosophy provides an ultra-clean signal path to retain the utmost musical information. Large, gold-plated bi-wire binding posts allow a robust cable connection for reliable signal transfer.

The substantially built cabinets are handcrafted in a choice of dark walnut or medium oak real wood veneers. Providing acoustically beneficial cabinet rigidity, the Revolution XT 6F and XT 8F floorstanding speakers incorporate two chambers with a pioneering internal port system. The dual-cavity coupled reflex system optimises driver performance from low to mid frequencies, and adverse low-frequency standing waves are reduced. LF energy exits from a down-firing port at the base of the floorstanding models, diffusing into the room between the cabinet and the integrated plinth. The design delivers tuneful and musically coherent bass reproduction while reducing room boundary effects and facilitating easy speaker placement.

A true revolution in loudspeaker design.



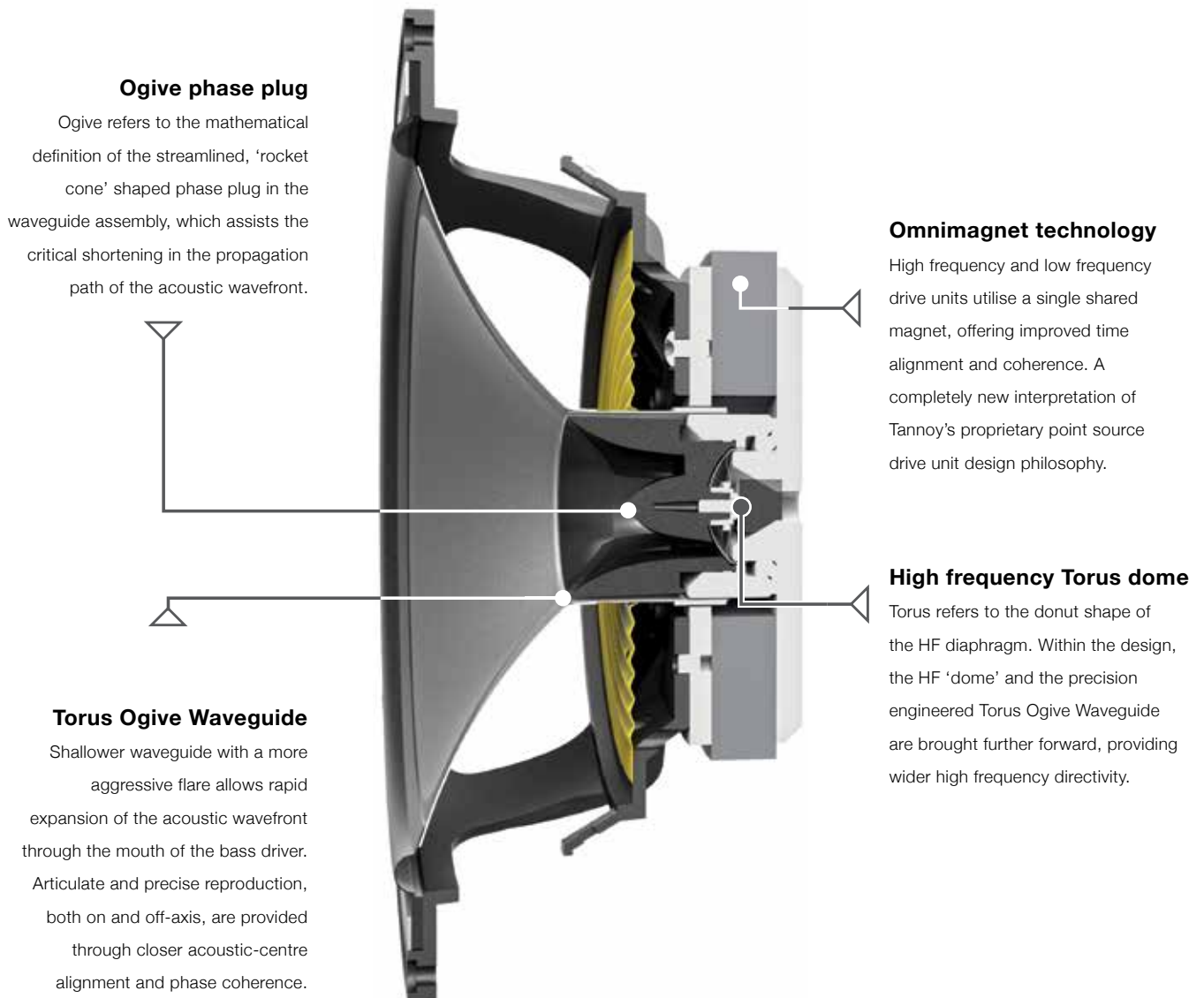
The Omnimagnet Dual Concentric

The parameters available to achieve a high level of audio performance are dictated by established acoustic design principles. Any improvement to an already impeccable driver design is therefore a tough challenge. Utilising the latest electro-acoustic research and tools, this was the task for Tannoy's team of highly experienced engineers whilst developing a new drive unit for the Revolution XT series.

The Omnimagnet Dual Concentric is a completely new interpretation of Tannoy's proprietary point source drive unit philosophy; a major milestone in more than 65 years of the company's audio research and development. A revolutionary new HF diaphragm and waveguide have

been combined with a single magnet to deliver notable performance advantages.

Providing wider high frequency directivity, the HF diaphragm and the precision engineered Torus Ogive Waveguide™ have been brought further forward. Based on innovative new patent pending design principles, the shallower waveguide improves LF performance, giving more headroom and enabling a higher crossover point. Essential to achieving the desired directivity improvements, the wave-front expands at faster rate, delivering articulate and precise reproduction, both on and off-axis, through closer acoustic-centre alignment and phase coherence.



Technical Specifications

	Revolution XT 6	Revolution XT 6F	Revolution XT 8F	Revolution XT Mini	Revolution XT C
Performance					
Recommended amplifier power (watt RMS)	25 - 120	25 - 150	25 - 200	25 - 100	25 - 120
Sensitivity (2.83 volt @ 1 m)	89 dB	90 dB	91 dB	88 dB	89 dB
Nominal impedance (ohm)	8	8	8	8	8
Frequency response (-6 dB)	46 Hz - 32 kHz	38 Hz - 32 kHz	34 Hz - 32 kHz	68 Hz - 52 kHz	62 - 52 kHz
Drive Units					
Dual Concentric high frequency	25 mm (1") Linear PEI dome with Torus Ogive WaveGuide and Omnimagnet technology	25 mm (1") Linear PEI dome with Torus Ogive WaveGuide and Omnimagnet technology	25 mm (1") Linear PEI dome with Torus Ogive WaveGuide and Omnimagnet technology	20 mm (0.79") Linear PEI dome with Torus Ogive WaveGuide and Omnimagnet technology	20 mm (0.79") Linear PEI dome with Torus Ogive WaveGuide and Omnimagnet technology
Dual Concentric low frequency	150 mm (6") multi-fibre paper. 44 mm (1.75") voice coil	150 mm (6") multi-fibre paper. 44 mm (1.75") voice coil	200 mm (8") multi-fibre paper. 44 mm (1.75") voice coil	100 mm (4") multi-fibre paper. 35 mm (1.38") voice coil	100 mm (4") multi-fibre paper. 35 mm (1.38") voice coil
Bass driver	-	150 mm (6") multi-fibre paper pulp cone with rubber surround. 44 mm (1.75") edge wound voice coil	200 mm (8") multi-fibre paper pulp cone with rubber surround. 44 mm (1.75") edge wound voice coil	-	2 x 100 mm (4") multi-fibre paper pulp cone with rubber surround. 35 mm (1.38") edge wound voice coil
Construction					
Dimensions (H x W x D) inc. plinth	400 x 224 x 302 mm (15.7 x 8.8 x 11.9")	1003.8 x 272.4 x 317 mm (39.5 x 10.7 x 12.5")	1078.8 x 320.4 x 345 mm (42.5 x 12.6 x 13.6")	272.2 x 152 x 199.3 mm (10.7 x 6.0 x 7.8")	176.9 x 450 x 205.6 mm (7.0 x 17.7 x 8.1")
Net weight	7.5 kg (16.4 lbs)	16.3 kg (35.9 lbs)	19.9 kg (43.9 lbs)	3.7 kg (8.1 lbs)	7.9 kg (17.5 lbs)



Tannoy operates a policy of continuous research and development. The introduction of new materials or manufacturing methods will always equal or exceed the published specifications. All specifications are subject to change without notice. Omnimagnet, Dual Concentric and Torus Ogive Waveguide are trademarks of Tannoy Limited. All other trademarks remain the property of their respective owners. Copyright (c) 2015 Music Group Innovation SC Ltd. All rights reserved.