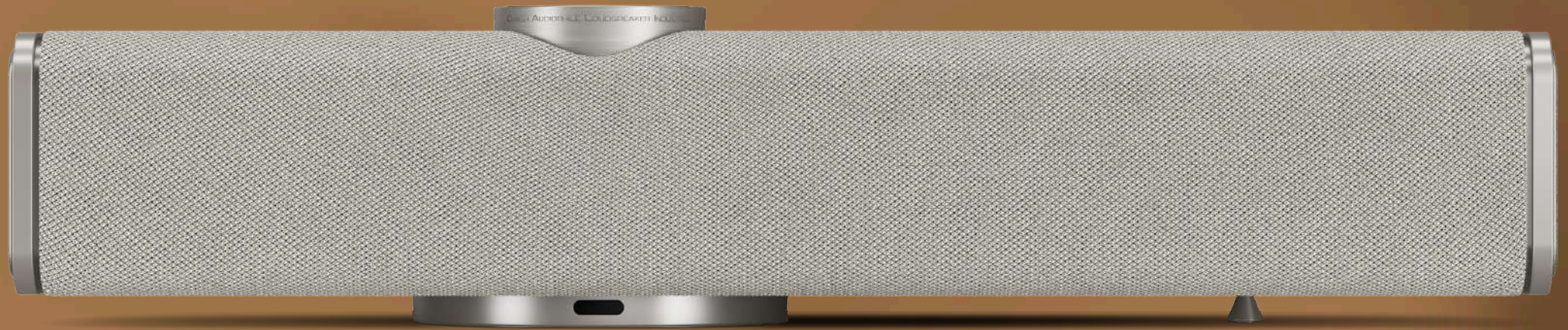


DALI VEGA

MANUAL



ENGLISH	2
DEUTSCH	36
FRANÇAISE	70
ESPAÑOL	104
ITALIANO	138

PORTUGUÊS	172
DANSK	206
NEDERLANDS	240
POLSKI	274
日本語	308

한국인	342
简体中文	376
中國傳統	410

DALI VEGA

MANUAL

VERSION 1.0 MARCH 2026
ENGLISH



DALI



CONTENT

1. Introduction	4
2. Pack contents	5
3. Unpacking	6
4. Wi-Fi connection & BluOS setup	7
5. Positioning your DALI VEGA	8
6. Cable management	10
7. Wall-mounting your DALI VEGA	11
8. Wired connections	16
9. DALI VEGA configuration	19
10. Your DALI VEGA in use	25
11. Bluetooth connection	30
12. Care and support	31
13. BluOS troubleshooting	31
14. Firmware updates	32
15. Power consumption	33
16. DALI VEGA specifications	34

1. INTRODUCTION

Congratulations on your new DALI VEGA. The DALI VEGA is a state-of-the-art, all-in-one sound system designed to be the performance benchmark for stylish single-box music in the home. DALI VEGA combines fabulous sound quality with immense versatility, intuitive ease of use, and a uniquely engaging Danish luxury design.

This user manual describes the setup and operation of the DALI VEGA.

You should read the manual before you start setting up and using your DALI VEGA.

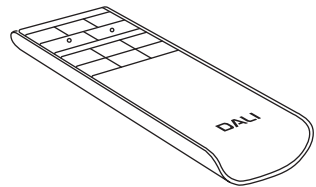
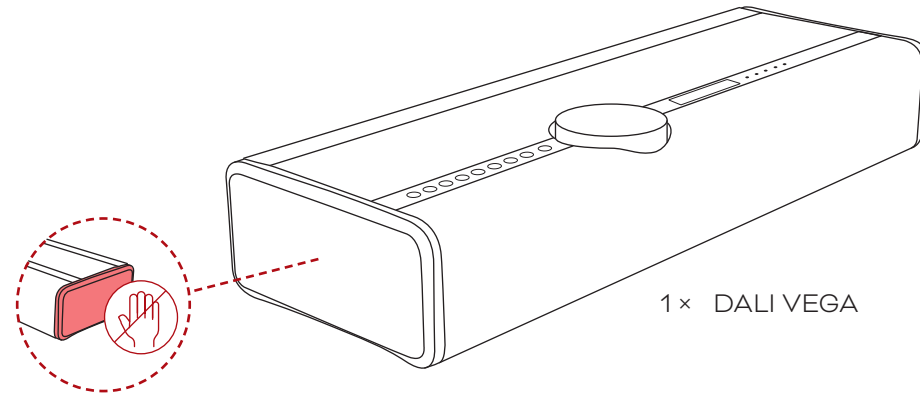
The manual begins with a description of the contents of the DALI VEGA box and continues to cover DALI VEGA positioning, connections, configuration, and day-to-day use.



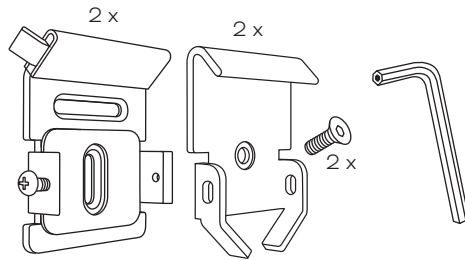
2. PACK CONTENTS

The contents of the DALI VEGA packaging are illustrated below.

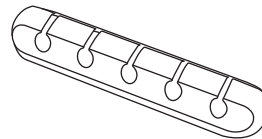
- ! Avoid touching the passive radiator drivers at both ends of the DALI VEGA.



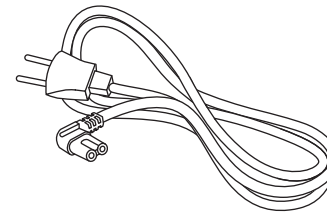
- 1 × Remote control
2 × AAA batteries (for Remote control)



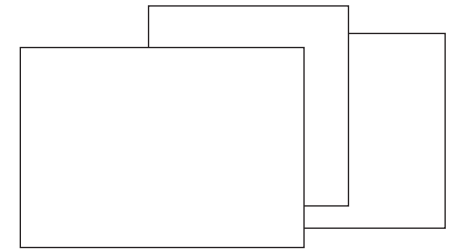
- 2 × Wall brackets (Wall)
2 × Wall brackets (VEGA)
2 × Screws for VEGA wall brackets
1 × M6 Allen key



- 1 × Cable holder

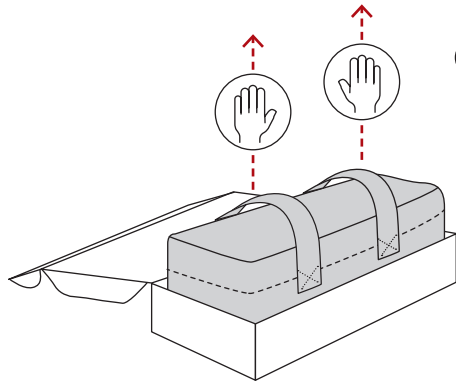


- 1 × Mains cable

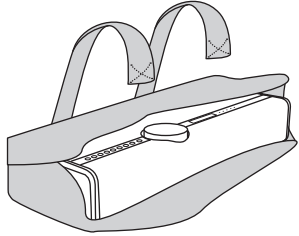


- 1 × Product registration card
1 × Quick start guide
2 × Wall mounting template
1 × Safety manual

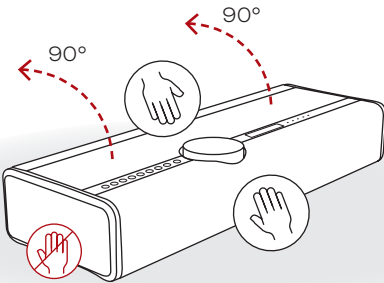
3. UNPACKING



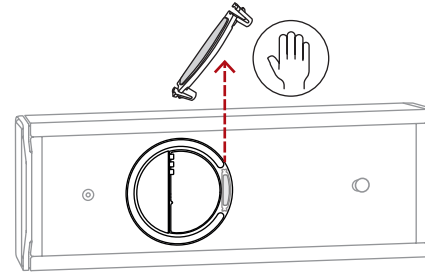
- 1** Open the box lid, and use both straps to lift the VEGA out of the box.



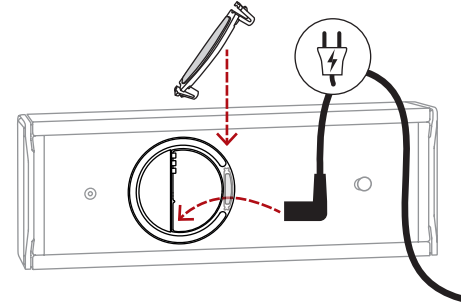
- 2** Release the Velcro straps and remove the cover.



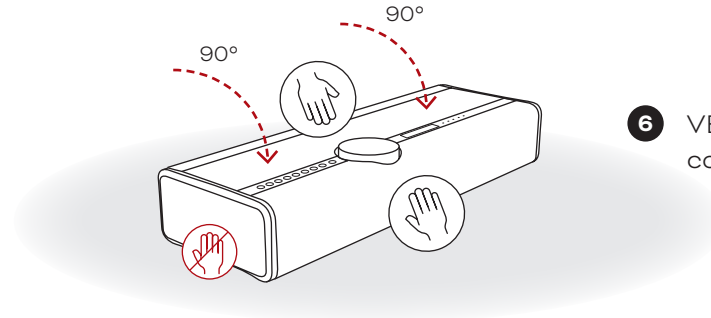
- 3** Tilt the VEGA 90 degrees to its rear-facing side. Open and remove the cable clip.



- 4** Plug in the power cable and any additional cables.



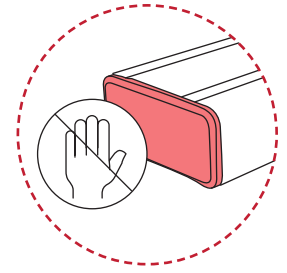
- 5** Attach the cable clip, then flip the VEGA back onto its feet.



- 6** VEGA is now ready for Wi-Fi connection.

! IMPORTANT!

While unpacking, make sure not to touch the passive radiators.



4. WI-FI CONNECTION & BLUOS SETUP

1 Power on your DALI VEGA

Wait for the BluOS LED to turn solid green, indicating “Hotspot” mode.

2 Get the BluOS app

Using your smartphone or tablet, download and open the BluOS app.



3 Add your DALI VEGA to your network

The “Add a player” wizard will guide you through the steps to complete your BluOS setup.



Go to bluesound.com/downloads to download the app

The initial network setup is done using the BluOS app on your smartphone or tablet. Make sure you have the App downloaded and installed, and your smartphone or tablet nearby as you get started.

! If you are using an iOS device, the DALI VEGA can also be connected to your Wi-Fi network via the “Set up new AirPlay speaker” option in your iOS Wi-Fi settings.



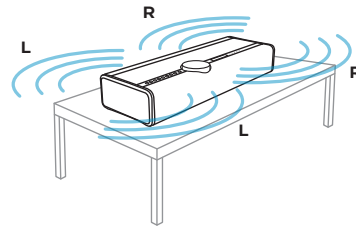
! If the LAN (network) socket of your DALI VEGA is connected to a home router or network switch, it will not require a Wi-Fi connection. Your DALI VEGA will become available for setup within the BluOS Controller app.

→ [Bluesound support page](#)

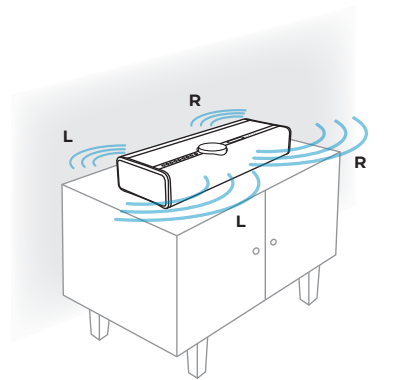
5. POSITIONING YOUR DALI VEGA

The DALI VEGA offers excellent versatility, making it suitable for installation in a wide variety of home locations. It can be placed on a table, a furniture unit, a shelf, or a window ledge, for example. And the DALI VEGA can also be wall-mounted in either landscape or portrait orientation using the DALI VEGA Wall Bracket. In terms of positioning your DALI VEGA, the only requirements are access to mains power and a network router or switch, if you prefer a wired network connection.

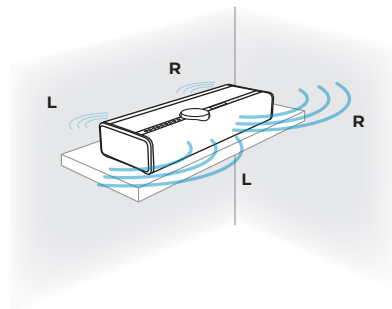
Depending on the orientation of your DALI VEGA, it will automatically adapt the stereo routing to its front and rear loudspeakers, as appropriate, to accommodate standing, landscape, or portrait orientation. Its display orientation will also rotate automatically.



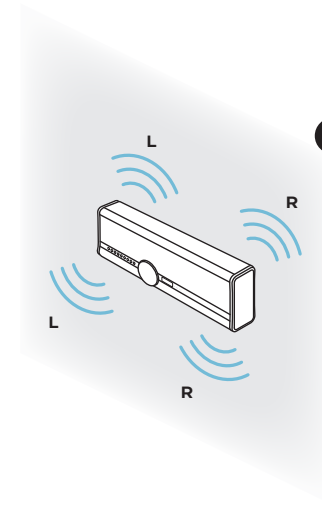
- 1 Standing: Free space**
DALI VEGA plays in both directions: front and back.
Recommended Rear Wall Distance setting: **Free**.



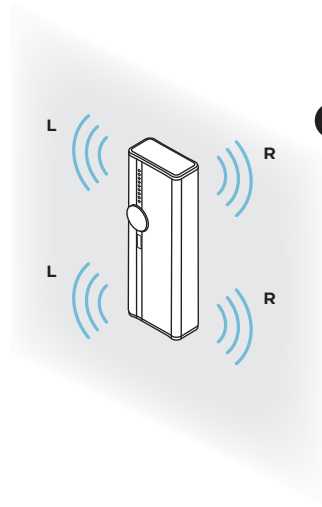
- 2 Standing: Near wall**
DALI VEGA plays more forwards than backwards.
Recommended Rear Wall Distance setting: **Medium**.



- 3 Standing: Close to corner/wall**
DALI VEGA plays even less backwards in this mode.
Recommended Rear Wall Distance setting: **Short**.



- 4 On wall: Landscape**
DALI VEGA plays in both directions.
Rear Wall Distance is automatically set.



- 5 On wall: Portrait**
DALI VEGA plays in both directions. The front drivers play the left channel, and the rear drivers play the right channel.
Rear Wall Distance is automatically set.

5. POSITIONING YOUR DALI VEGA

Adaptive Orientation Adjustment

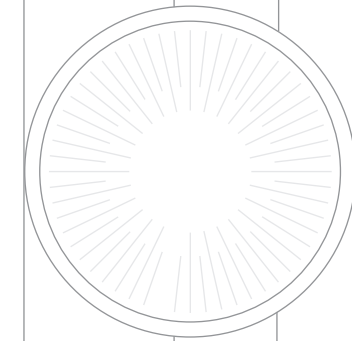
The DALI VEGA is engineered with advanced Adaptive Orientation Adjustment technology developed in-house by DALI's engineers. Adaptive Orientation Adjustment enables seamless integration of your DALI VEGA into any living space, no matter how you place or mount it.

Equipped with an internal orientation sensor, VEGA intelligently detects its mounting orientation – whether it's standing on a shelf or table, or wall-mounted in landscape or portrait mode. And it automatically reconfigures stereo channel mapping to ensure optimal audio fidelity. This real-time

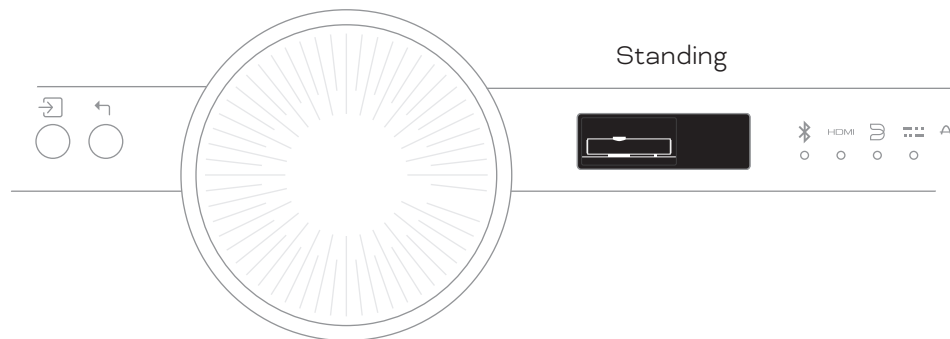
adjustment enhances spatial accuracy and stereo imaging, delivering a consistently immersive listening experience regardless of placement.

Adaptive Orientation Adjustment is a key component of VEGA's environment-aware design philosophy, allowing it to adapt acoustically to its user preferences and elevate musical performance with precision and clarity.

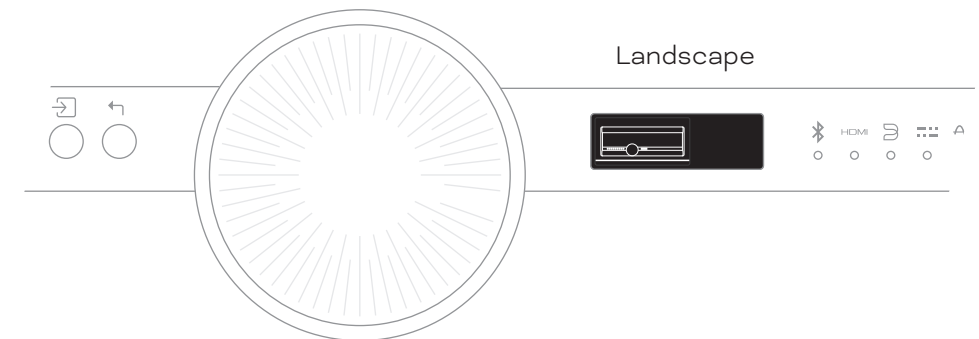
When you place your VEGA in the desired orientation, the VEGA display will indicate the activated Adaptive Orientation Adjustment mode by showing one of the three logos.



Portrait



Standing

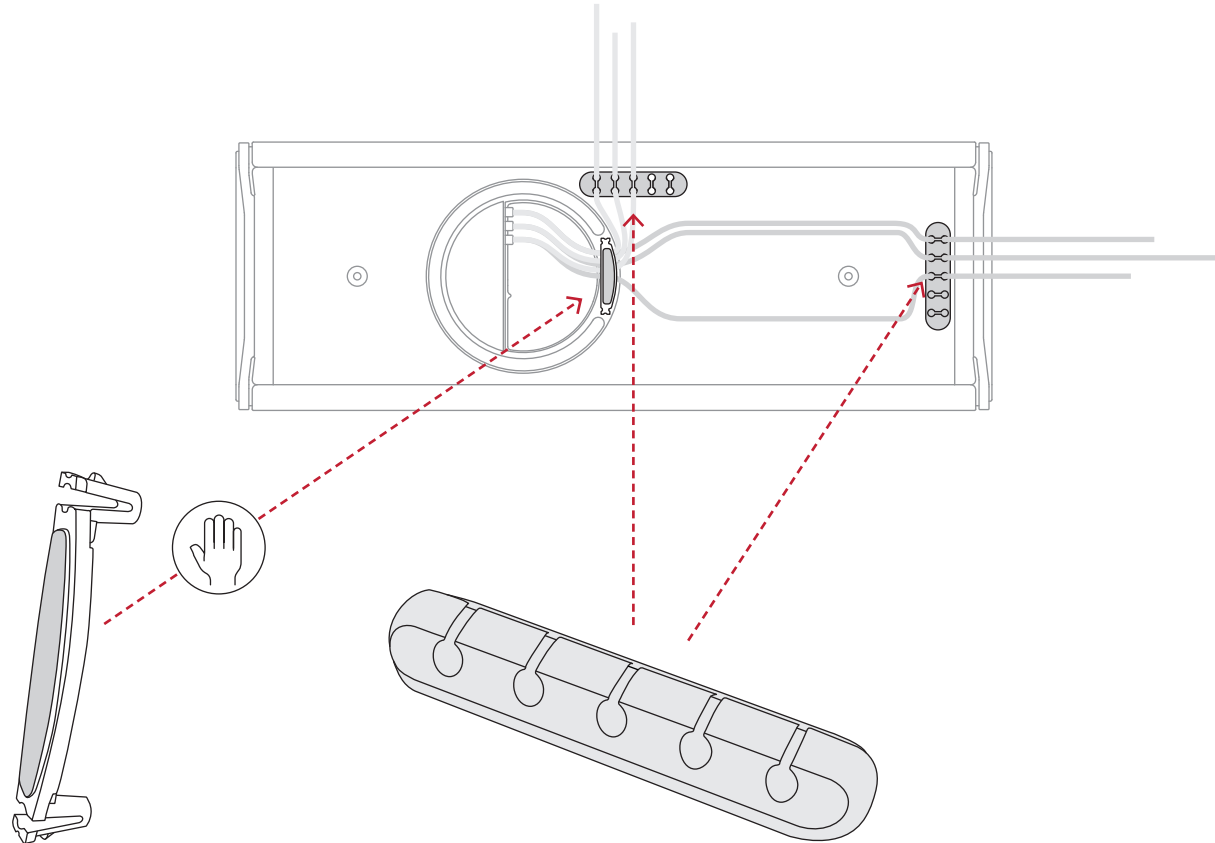


Landscape



6. CABLE MANAGEMENT

On the back of the VEGA, you will find a cable clip, which can be opened using your fingers at both ends. Together with the supplied cable holder, this feature allows for easy cable management in any orientation or placement.



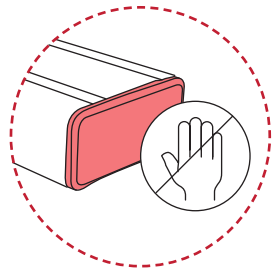
7. WALL-MOUNTING YOUR DALI VEGA

To mount the DALI VEGA on the wall in either landscape or portrait mode, use the four included wall brackets.

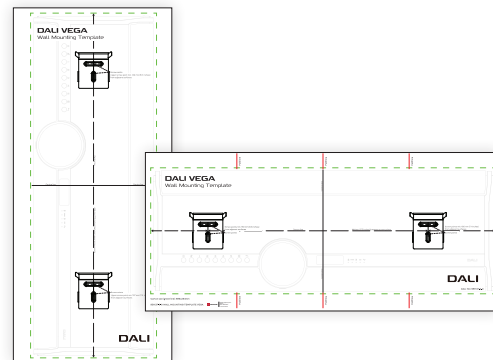
Two of the wall brackets are mounted with the included wall bracket screws on the back of the DALI VEGA using the M6 Allen key.

The two remaining wall brackets are mounted on the wall with four appropriate screws (not included).

Follow the steps on the next pages.

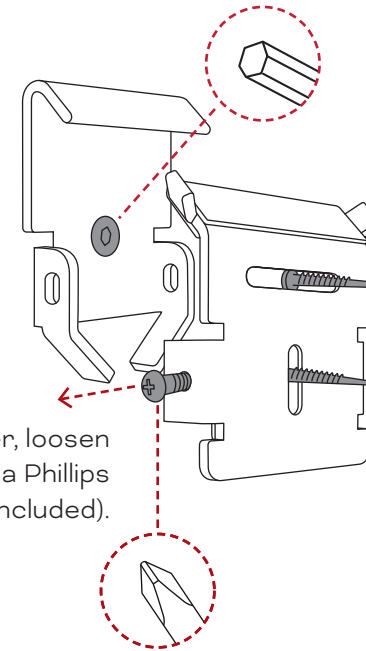


- While mounting, make sure not to touch the passive radiators.



The brackets for DALI VEGA are mounted with one bracket screw each (included). Use an M6 Allen key and fasten the brackets securely in place.

Before mounting the speaker, loosen the safety screw/screws with a Phillips screwdriver (not included).



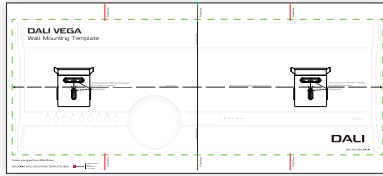
The brackets for the wall are mounted with two screws, appropriate for the wall type (not included).

- Use the included **Wall Mounting Templates** to effortlessly determine the mounting placement of your wall brackets.

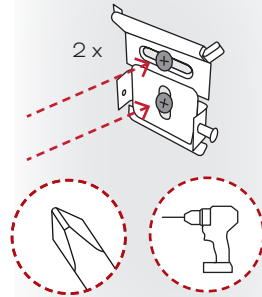
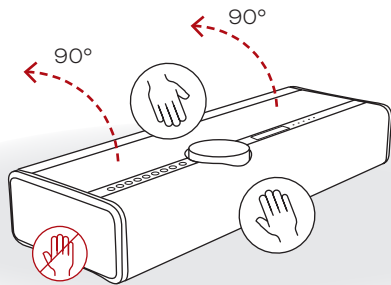
Two **Wall Mounting Templates** are included: one for landscape orientation and one for portrait orientation.

7. WALL-MOUNTING YOUR DALI VEGA

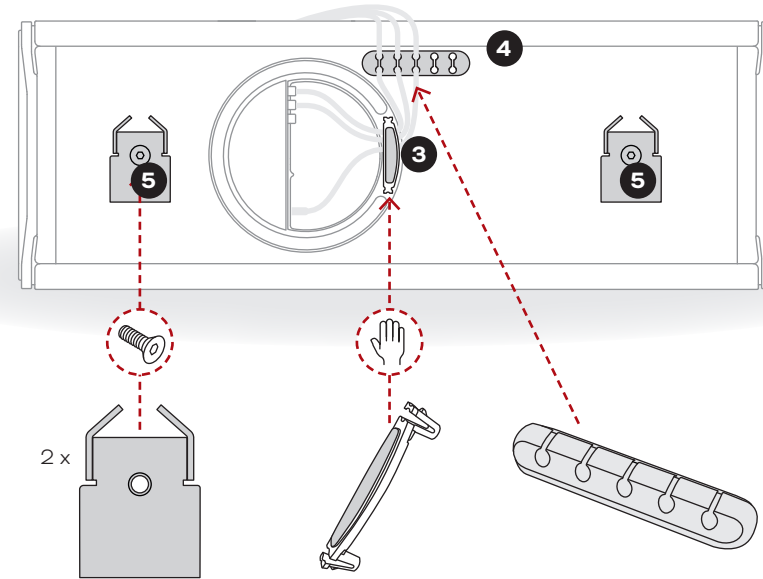
Landscape orientation (1/2)



- 1 Use the included landscape wall-mounting template to mark the 2 x 2 drilling holes, then mount the two wall brackets on the wall.
- 2 Tilt the VEGA 90 degrees to its rear-facing side.



! Do NOT place the VEGA on its front- or top-facing side, as this can accidentally scratch the volume wheel.

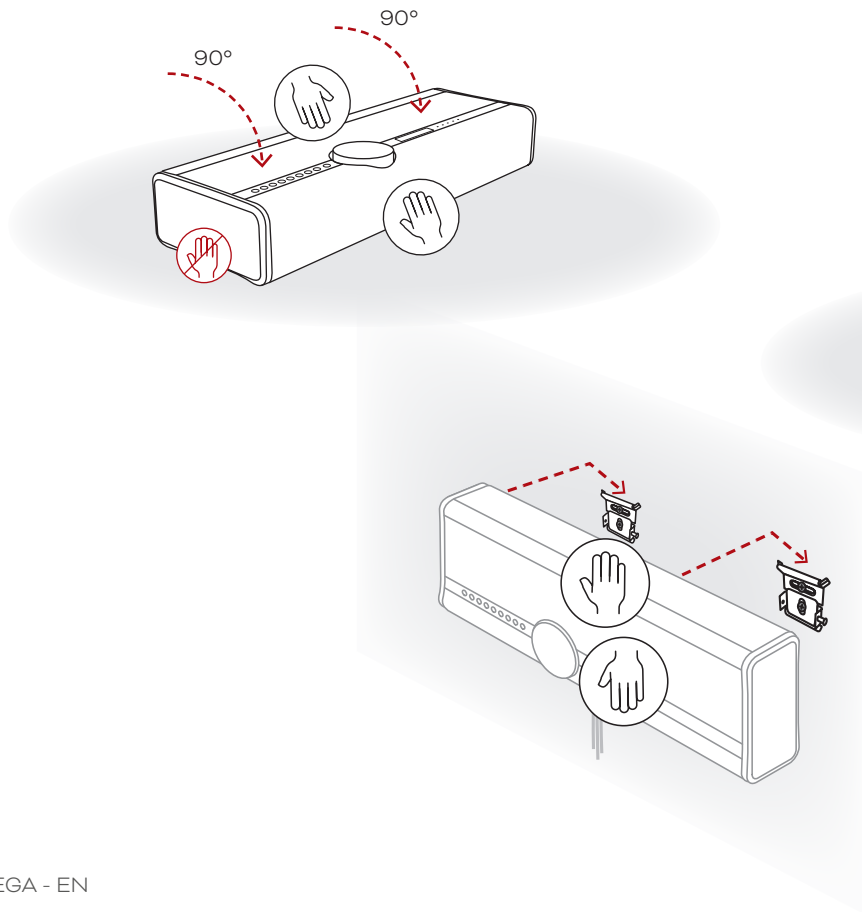


- 3 Mount the VEGA wall brackets for landscape orientation.
- 4 Place the self-adhesive cable holder and guide the cables through.
- 5 Remove the cable clip, connect your cables, and re-attach the cable clip.

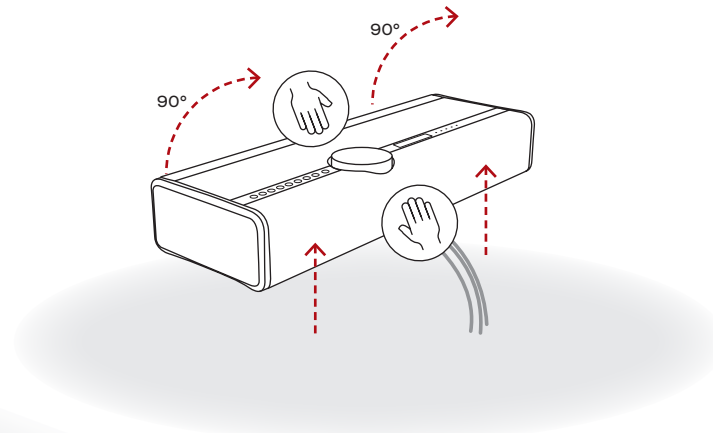
7. WALL-MOUNTING YOUR DALI VEGA

Landscape orientation (2/2)

- 6** Flip the VEGA back on its feet.

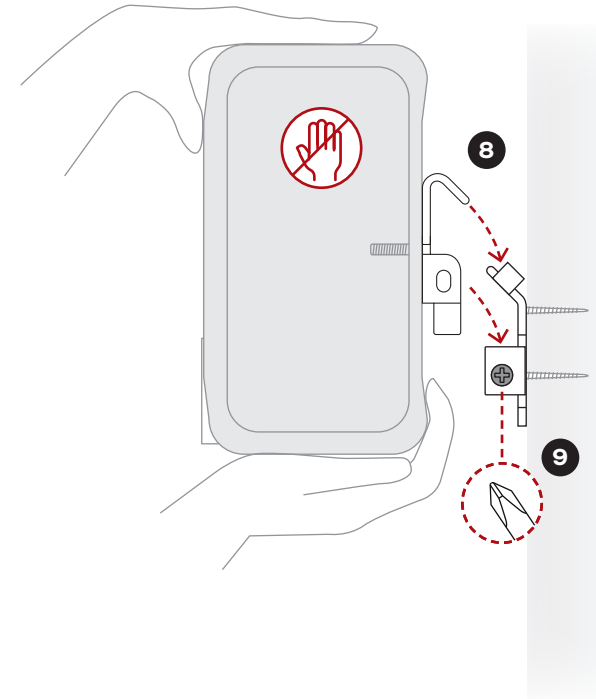


- 7** Lift the VEGA and turn its underside (and wall brackets) towards the wall.



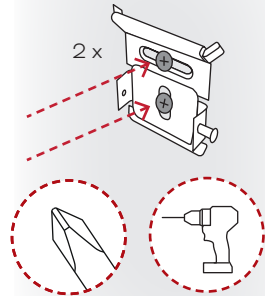
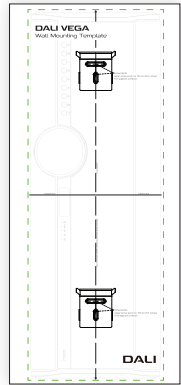
- 8** Carefully lift the VEGA into place and attach it to the brackets.

- 9** Tighten the safety screws using a Phillips screwdriver.



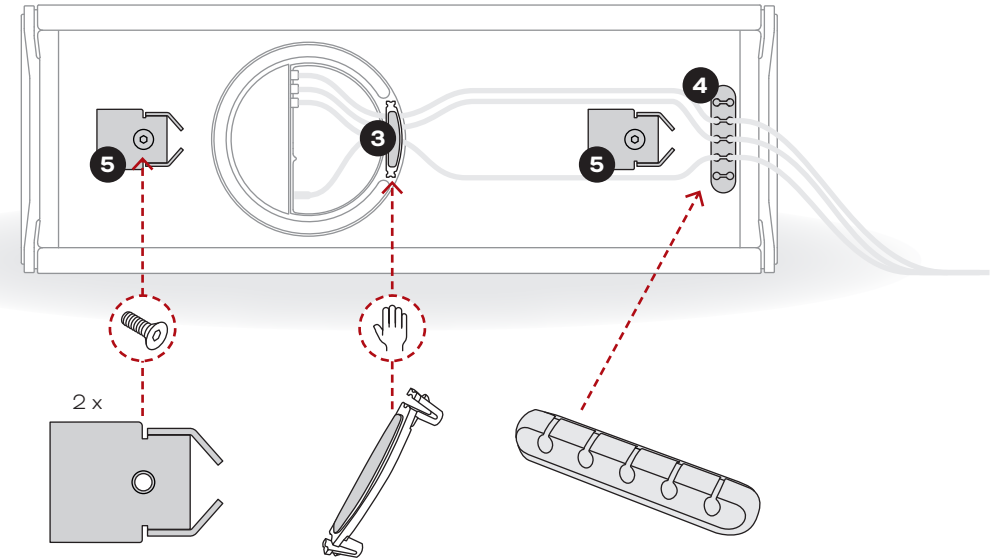
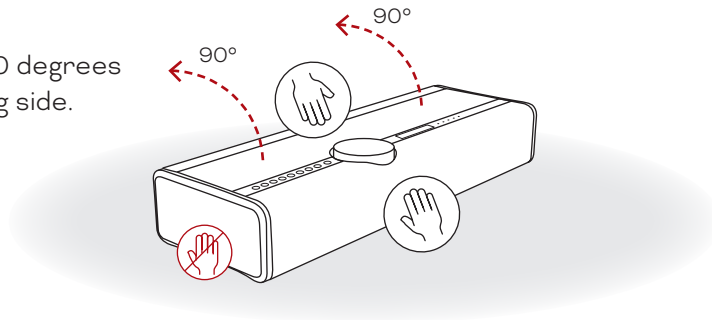
7. WALL-MOUNTING YOUR DALI VEGA

Portrait orientation (1/2)



- 1 Use the included portrait wall-mounting template to mark the 2 x 2 drilling holes, then mount the two wall brackets on the wall.

- 2 Tilt the VEGA 90 degrees to its rear-facing side.

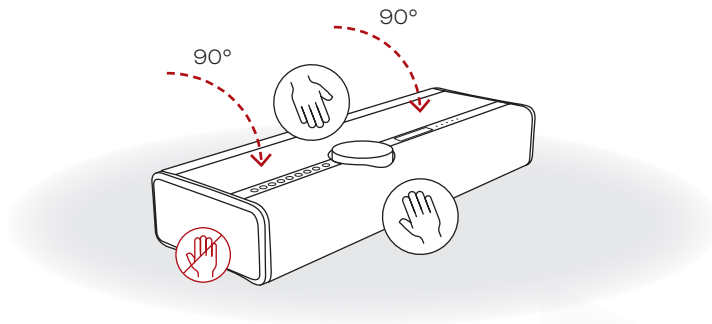


- 3 Remove the cable clip, connect your cables, and re-attach the cable clip.
- 4 Place the self-adhesive cable holder and guide the cables through.
- 5 Mount the VEGA wall brackets for portrait orientation.

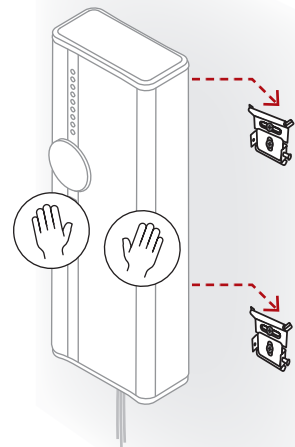
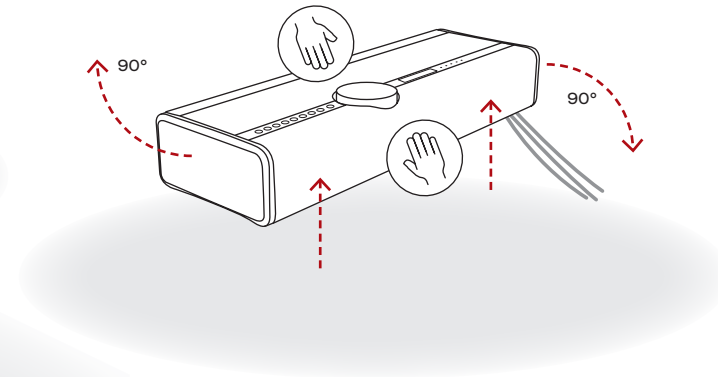
7. WALL-MOUNTING YOUR DALI VEGA

Portrait orientation (2/2)

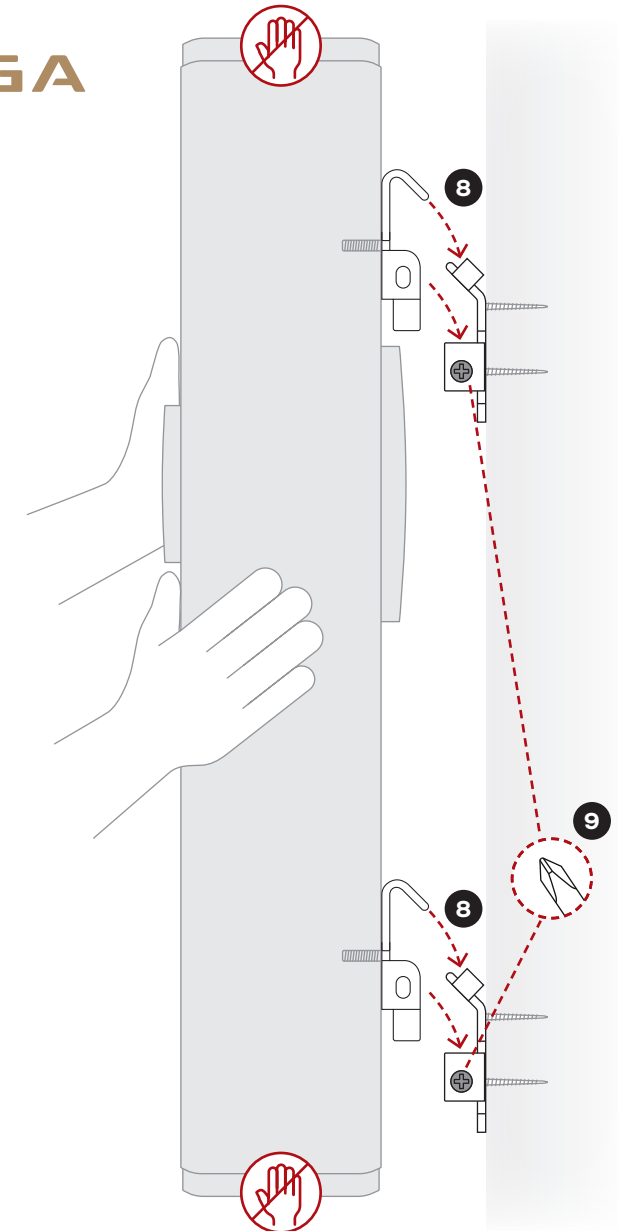
- 6** Flip the VEGA back on its feet.



- 7** Lift up the VEGA, turn its underside (and wall brackets) towards the wall, and rotate it clockwise into portrait orientation.



- 8** Carefully lift the VEGA into place and attach it to the brackets.
- 9** Tighten the safety screws using a Phillips screwdriver.



8. WIRED CONNECTIONS

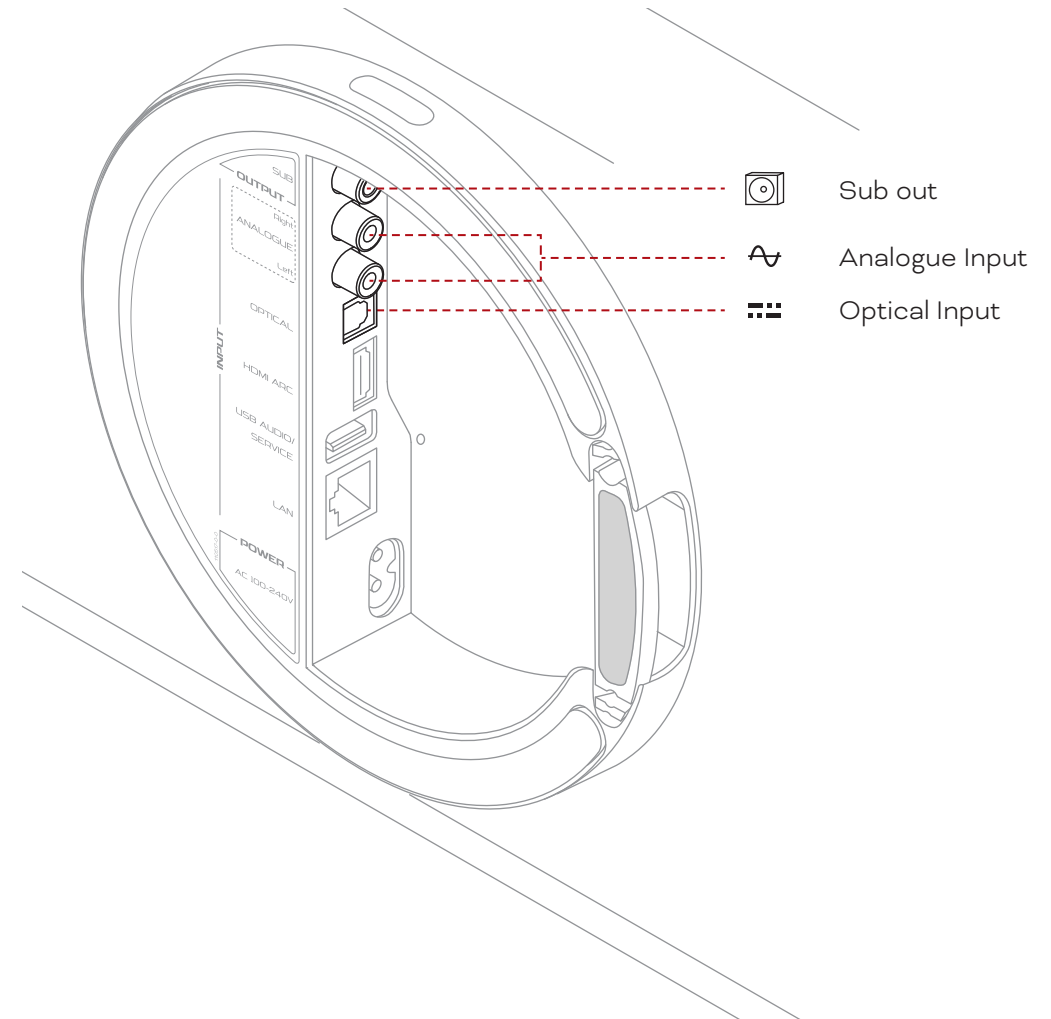
The DALI VEGA provides a wide variety of connection options for integration into your home audio system.

Wired connection sockets are located in the connection panel and include the following options:

Subwoofer Output: A single RCA Phono socket allows you to connect an external subwoofer to enhance the bass performance of your DALI VEGA. The subwoofer output signal is mono and low-pass filtered to 120 Hz.

Analogue Input: A stereo pair of RCA Phono sockets enables the connection of an external audio source with line-level outputs. This might be a CD player or turntable with built-in RIAA, for example.

Optical Input: A TOSLINK optical digital audio socket enables the connection of an external audio source with an optical digital output. This might be a TV or a CD player, for example.



8. WIRED CONNECTIONS

HDMI ARC: If you have a TV set with an HDMI ARC (Audio Return Channel) connector, connect it to the HDMI ARC connector of your DALI VEGA. You may also need to select external speakers for audio playback and enable CEC (Consumer Electronics Control) in your TV's settings menu. The TV audio output format should be set to "PCM" or "Stereo".

Using HDMI and CEC, you can use your TV remote to control the Volume, Mute, and Standby functions of your DALI VEGA.

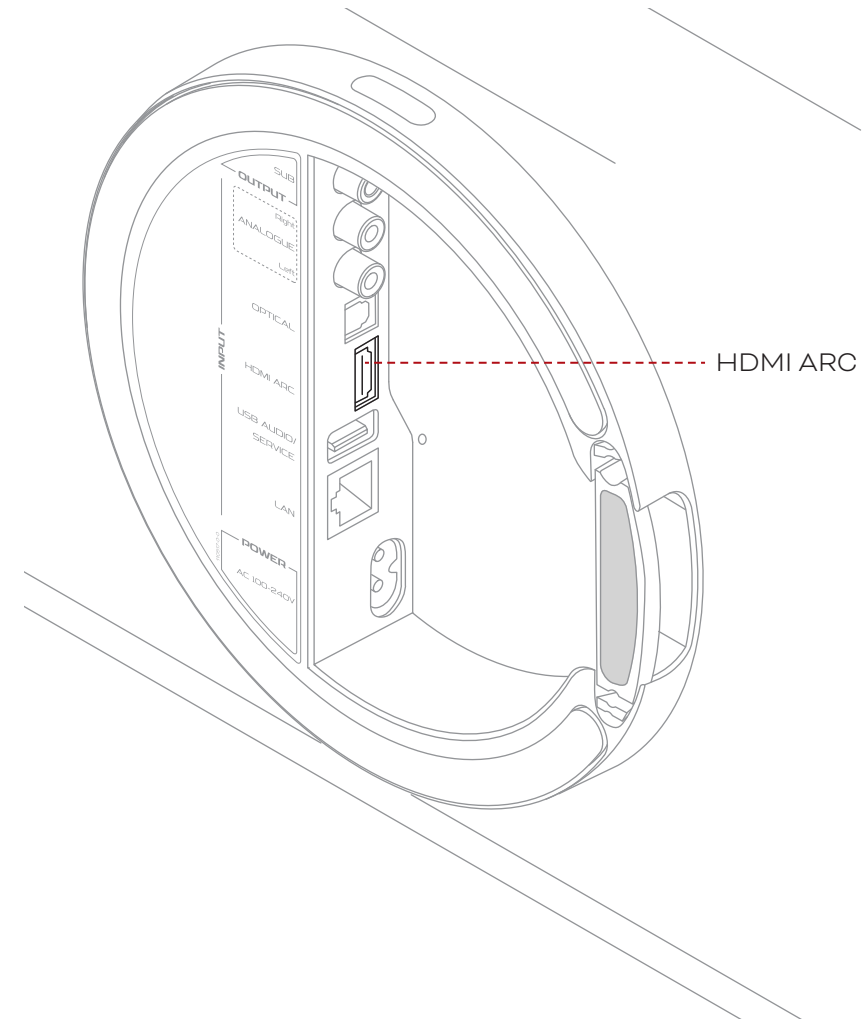
! If your TV does not support HDMI ARC, or if you are experiencing HDMI compatibility issues, DALI recommends using an optical connection from the TV's optical audio output to your DALI VEGA.

In this scenario, you can still use the HDMI connection to control the DALI VEGA via CEC using your TV remote control.

To use your TV remote to control basic DALI VEGA functions (volume, mute, power on/off) via HDMI, HDMI CEC must be enabled on your TV.

HDMI CEC has different names depending on the TV brand:

- Samsung: Anynet+
- LG: SimpLink
- Sony: Bravia Sync
- Phillips: EasyLink
- Panasonic: Viera Link
- Hitachi: HDMI-CEC



8. WIRED CONNECTIONS

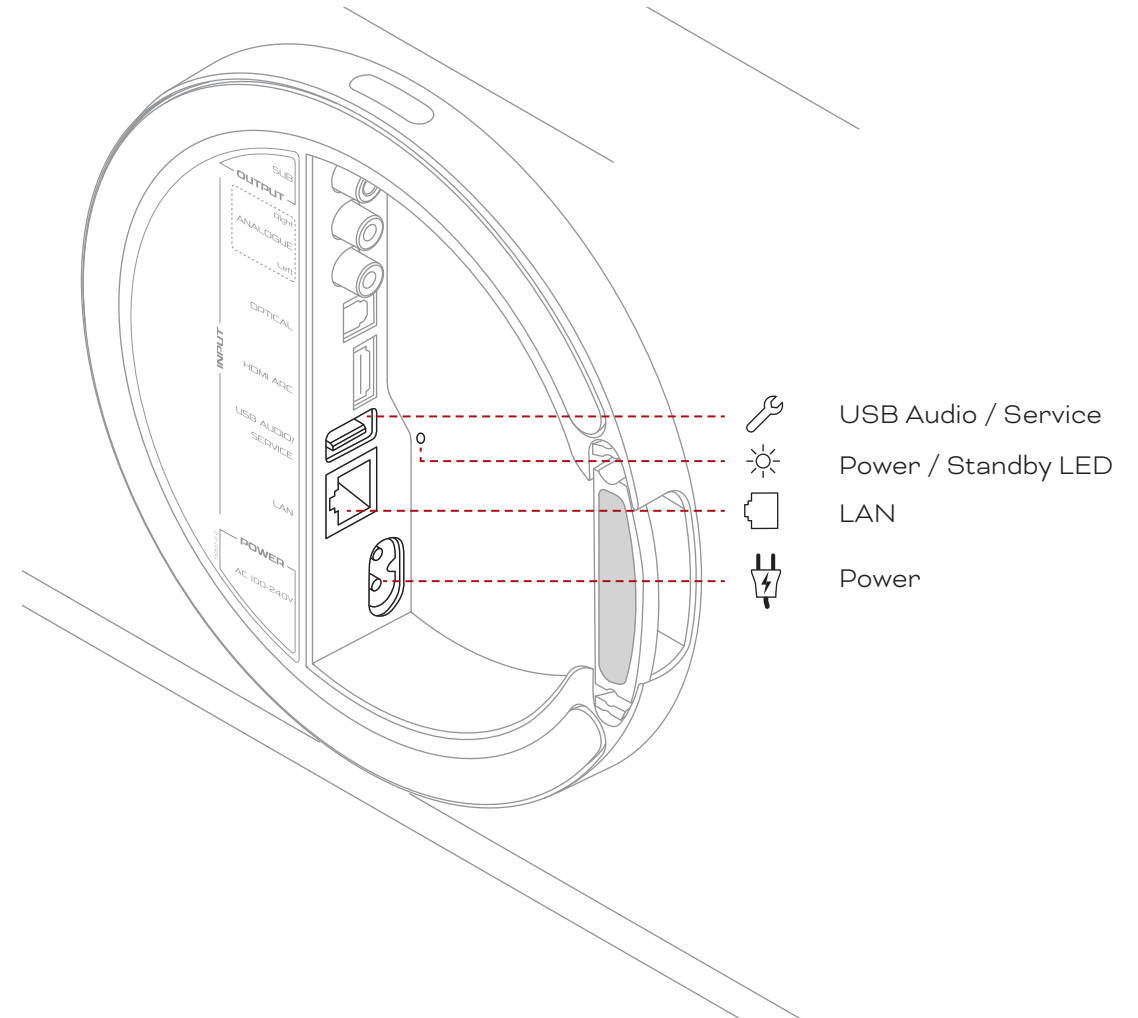
USB Audio / Service: The DALI VEGA USB socket has two functions. Firstly, it enables music files stored on USB storage media, such as hard drives and pen drives, to be played by the DALI VEGA and made accessible via BluOS over the home network to which the DALI VEGA is connected. Secondly, the DALI VEGA USB socket enables software updates and service functions.

→ [Getting started with BluOS](#)

Power / Standby LED: The Power/Standby LED indicates the power state of the DALI VEGA.

LAN (Network): The DALI VEGA network socket provides the music streaming features of the BluOS app via a wired network connection. If your DALI VEGA is to use a wired network connection, connect the network socket to a home network router or switch using a standard network cable.

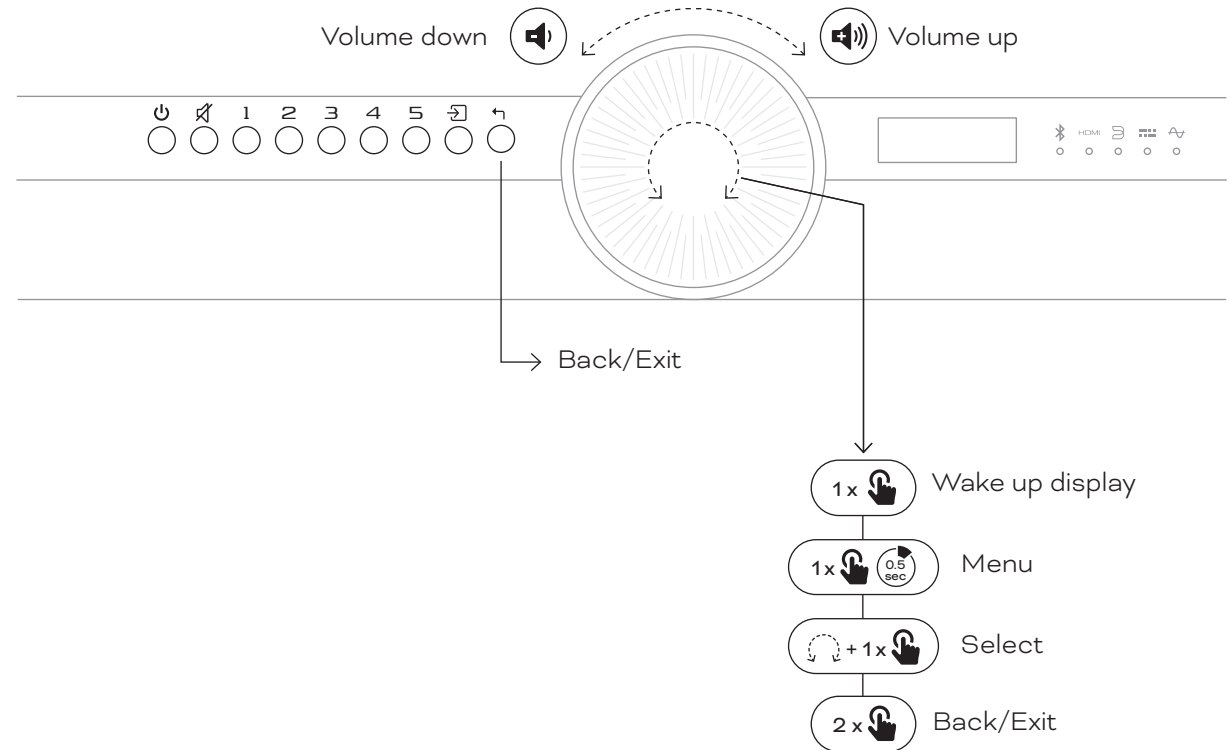
Power: Connect your DALI VEGA to mains power using the supplied mains cable.



9. DALI VEGA CONFIGURATION

With your DALI VEGA positioned and connected to mains power, your wireless network, and the required wired sources, you can begin configuration.

The DALI VEGA is configured using the menu display. Use the **Volume Wheel** to select menu options. Tap the surface of the **Volume Wheel** to confirm selections. Use the **Back/Exit** button to the left of the **Volume Wheel** to save selected options and simultaneously step back through the setup menus.



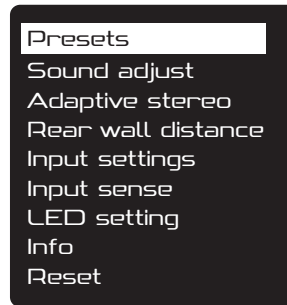
9. DALI VEGA CONFIGURATION

DALI VEGA Menus

To access the DALI VEGA configuration menus, tap and hold the centre of the **Volume Wheel** once. The top level of the configuration menus will show in the display. Turn the **Volume Wheel** to scroll up and down the menu and tap the centre of the volume wheel again to select a menu option and enter its sub-menu.

The configuration options available under each top-level menu item are described in the following paragraphs.

! If no selection is made in a menu within 10 seconds, the DALI VEGA display will revert to the opening screen.



Presets

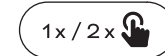
The **Presets** menu displays and enables activation of the presets made in the BluOS app. A total of 10 BluOS presets can be assigned (via the BluOS app) to the five Preset buttons to the left of the Volume Wheel.

Presets 1 to 10

The Preset buttons enable immediate selection of any stored items such as radio stations or streaming services.

A single press activates presets 1 to 5. A double press activates presets 6 to 10.

Any additional saved BluOS presets can be found in the **Presets** menu, where up to 40 presets can be activated. You can assign any currently selected source – such as an internet radio station or streaming service – to one of the Preset buttons for quick recall.



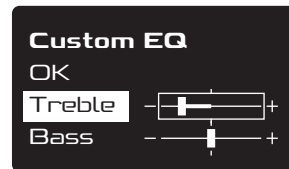
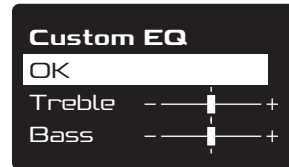
→ [How to add or delete a Preset](#)

9. DALI VEGA CONFIGURATION

Sound adjust

The **Sound adjust** menu allows selecting **Direct** audio (default DALI VEGA sound) or **Custom EQ** (equalisation).

If the **Custom EQ** option is selected, a display offers bass and treble adjustment, +/-10 dB, in 2 dB steps. Adjust the bass and treble using the **Volume Wheel**.

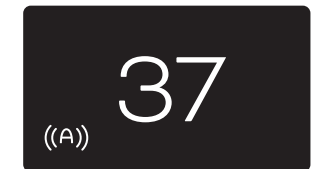
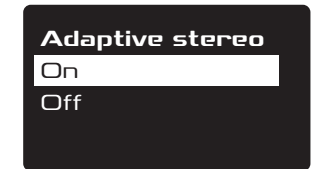


DALI Adaptive Stereo Enhancement™

The DALI VEGA incorporates DALI-developed Adaptive Stereo Enhancement (ASE) technology that can enhance the stereo experience from compact speakers by making the sound more expansive, immersive, and engaging. DALI Adaptive Stereo Enhancement is enabled by default but can be disabled if preferred.

The **Adaptive stereo** menu lets you enable or disable Adaptive Stereo Enhancement. Select the required option using the **Volume Wheel**.

- When Adaptive Stereo Enhancement is activated, it will be indicated with the ASE logo ((A)) on the bottom left of the main display.

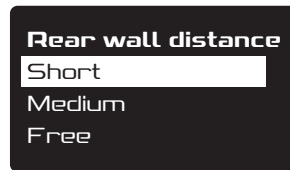


9. DALI VEGA CONFIGURATION

Rear wall distance

The sound of your DALI VEGA, like any loudspeaker, is affected by the presence of nearby room boundaries. The **Rear wall distance** menu allows adjustment of the DALI VEGA sound based on its distance from a wall.

Use the **Volume Wheel** to select the option that best matches the distance of your DALI VEGA from the rear.

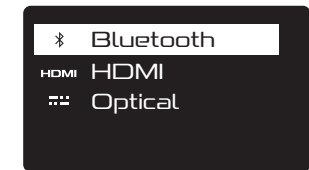


- ! **Short:** Less than 10 cm (3.9 inches) rear wall distance
- Medium:** 10 - 50 cm (3.9 - 19.6 inches) rear wall distance
- Free:** More than 50 cm (19.6 inches) rear wall distance

The **Rear wall distance** menu is disabled when the DALI VEGA is wall-mounted.

Input settings

The **Input settings** menu enables configuration of options specific to the Bluetooth, HDMI, and Optical inputs.



The options are:

Bluetooth: **Release connection** and **Clear pairings.**

HDMI: **Audio delay.**

Optical: **Signal detect** and **Carrier detect.**

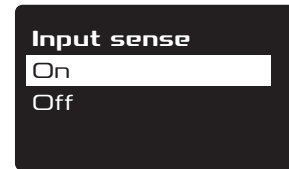
- ! HDMI audio delay enables TV lip sync to be optimised.

Optical input signal detect and carrier detect enable the DALI VEGA automatically to select its optical input when either the optical source is simply switched on, or only when an audio signal is present.

9. DALI VEGA CONFIGURATION

Input sense

The **Input sense** menu enables DALI VEGA to switch on from Standby as soon as a signal is present on any input and automatically shut down after 20 minutes if no input signal is present. **Input sense** can be enabled or disabled. Use the **Volume Wheel** to select the required option.



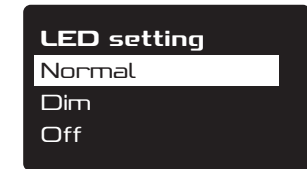
- ! Analogue and optical inputs are automatically selected when an audio signal is detected, provided input sense is enabled (**On**) and VEGA is not currently playing.

The Bluetooth and BluOS inputs will automatically be selected when the source Play button is pressed.

The HDMI ARC input will automatically be selected when a connected TV is switched on and if VEGA is not currently playing.

LED setting

The **LED setting** menu enables the brightness of the DALI VEGA indicator LEDs to be adjusted. Use the **Volume Wheel** to select the required option.

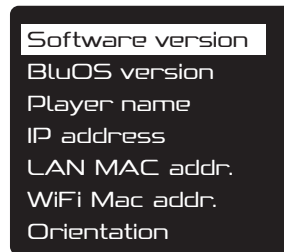


- ! If the LED setting menu is set to **Off**, the DALI VEGA LEDs are always off, and the current source selection is shown in the bottom-right corner of the display.

9. DALI VEGA CONFIGURATION

Info

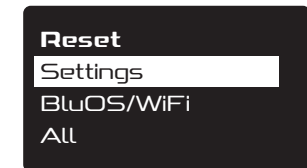
The **Info** menu displays system information that may be of use for troubleshooting. Use the **Volume Wheel** to select and view the required information and exit the menu using the **Back/Exit** button.



Reset

The **Reset** menu allows you to delete your DALI VEGA user settings.

Use the **Volume Wheel** to select the required option and exit the menu using the **Back/Exit** button.



- ! The **Settings** option resets all user settings, including Bluetooth pairings, but excluding BluOS presets and Wi-Fi setup.

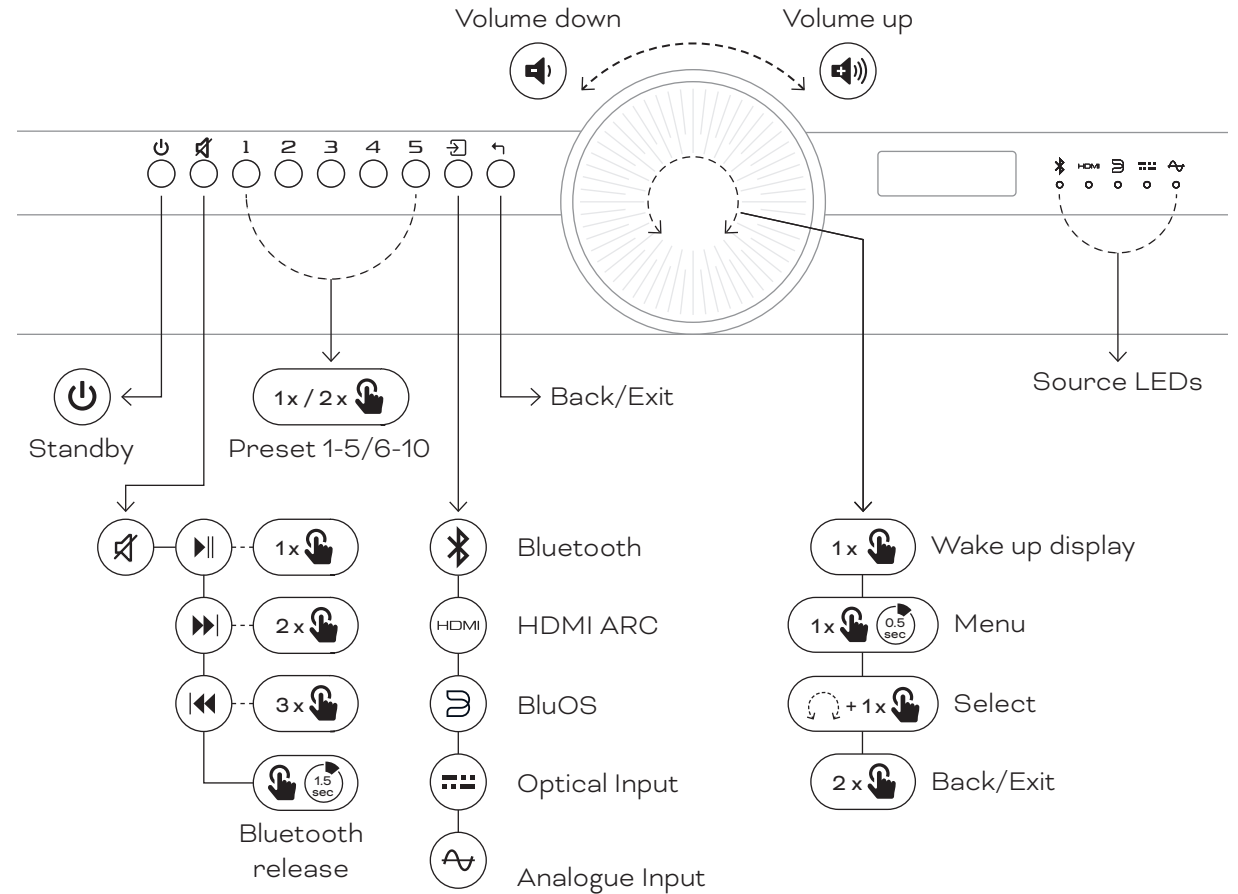
The **BluOS/Wi-Fi** option deletes saved BluOS presets and resets the Wi-Fi connection, returning the DALI VEGA to BluOS Hotspot Mode, ready for a new Wi-Fi connection.

The **All** option combines the two other reset options.

10. YOUR DALI VEGA IN USE

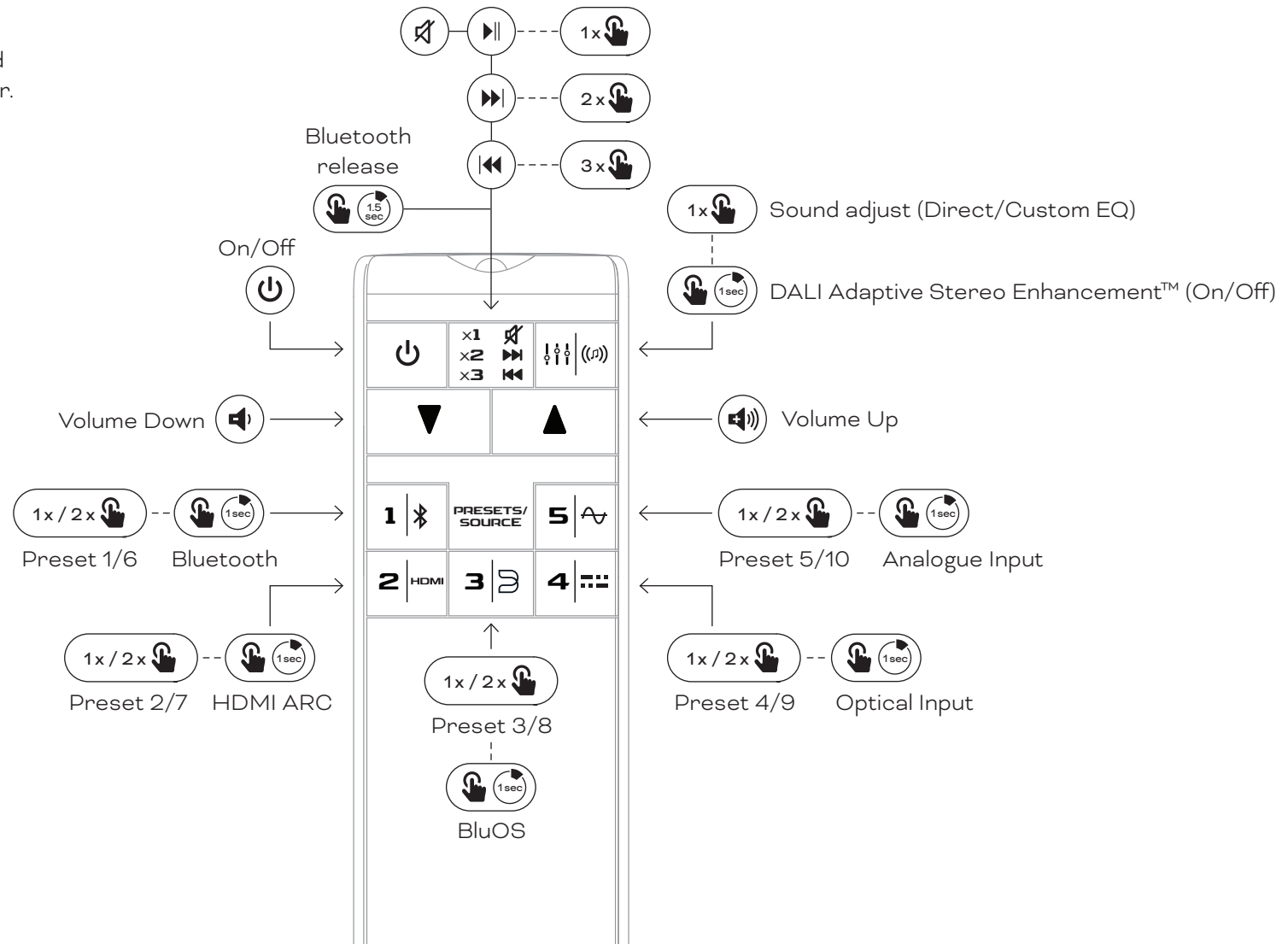
With your DALI VEGA positioned, connected and configured, its time to enjoy its performance with your favourite music.

To control your DALI VEGA, you can use either its on-body **Buttons** and **Volume Wheel** or its **Remote Control**. The Remote Control and its buttons are illustrated on the next page.



10. YOUR DALI VEGA IN USE

The DALI VEGA Remote Control duplicates the most frequently used functions of the DALI VEGA speaker.




10. YOUR DALI VEGA IN USE

DALI VEGA Buttons and Volume Wheel

From left to right, the DALI VEGA buttons provide the following functions:

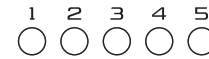
Standby button

Press the Standby button to wake your DALI VEGA or return it to standby.

 DALI VEGA power consumption in standby mode is less than 0.5 Watts.

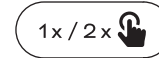
Mute button

Press the **Mute** button to silence or restore audio. If the currently selected source offers playback controls, the **Mute** button will control its functions: press once for **Play/Pause**, twice for **Skip forward**, and three times for **Skip backward**. Press and hold the **Mute** button for Bluetooth release.

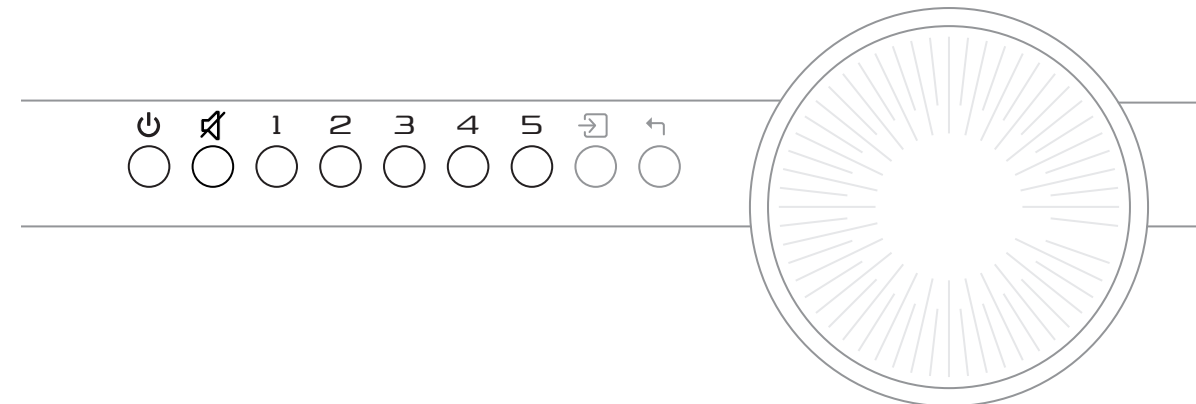


Preset buttons 1 to 10

The **Preset** buttons enable immediate selection of any stored items such as radio stations or streaming services.








A single press activates presets 1 to 5.
A double press activates presets 6 to 10.



10. YOUR DALI VEGA IN USE

↩ Input button

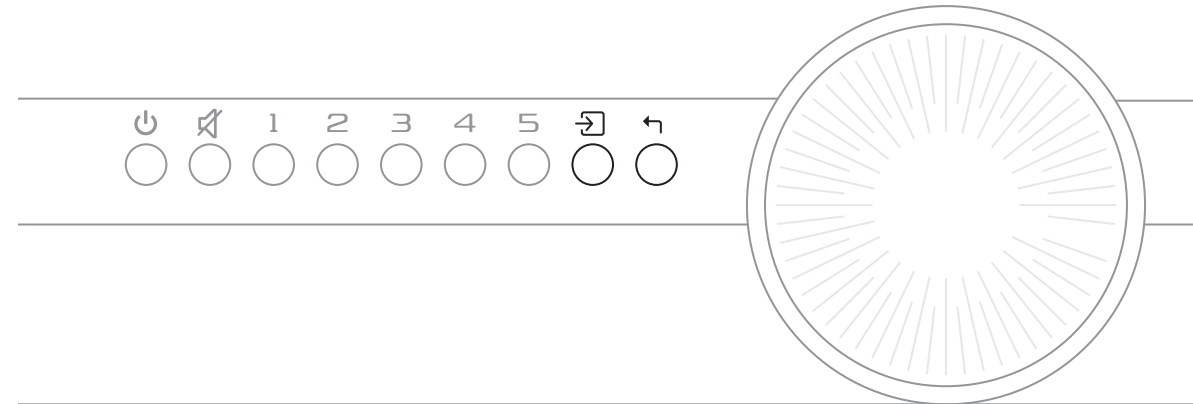
Pressing the **Input** button scrolls through and selects the available DALI VEGA signal inputs in the following order:

-  Bluetooth
-  HDMI ARC
-  BluOS
-  Optical Input
-  Analogue Input

! The first press on the Input button shows the current signal source selection. Subsequent presses toggle through the sources.

↩ Back/Exit button

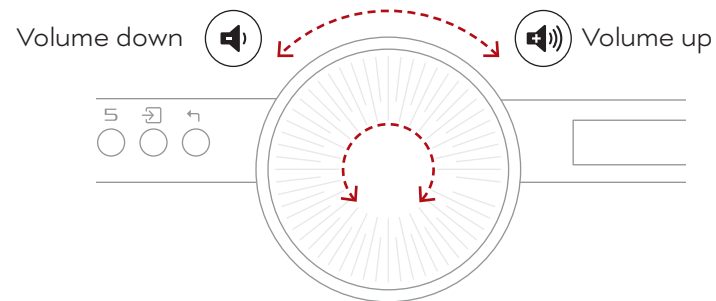
Pressing the **Back/Exit** button steps back through the menu levels.



10. YOUR DALI VEGA IN USE

Volume Wheel

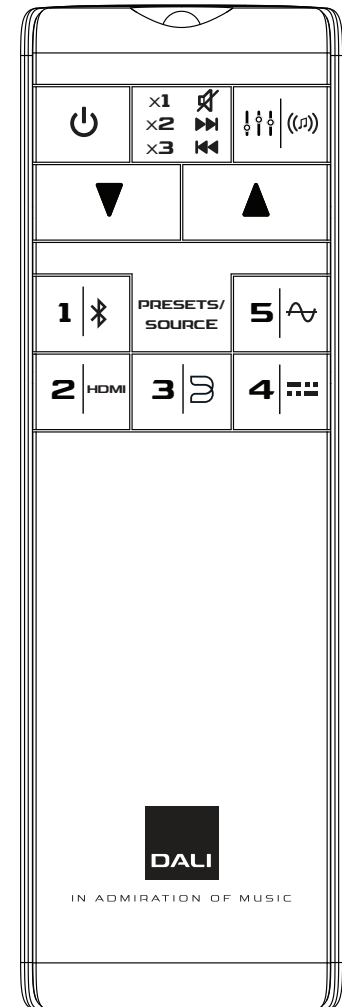
When your DALI VEGA is switched on and not in setup menu mode, the **Volume Wheel** controls volume. Turn it clockwise to increase volume and counterclockwise to decrease volume.



Remote Control

The DALI VEGA Remote Control duplicates the most frequently used functions of the DALI VEGA speaker.

The DALI VEGA Remote Control and its button functions are illustrated on page 24.



11. BLUETOOTH CONNECTION

11.1 Bluetooth pairing

To connect your Bluetooth device to the DALI VEGA:

1. Turn on the DALI VEGA.
2. Select the Bluetooth input using the Input button.
3. The DALI VEGA is now ready for Bluetooth pairing.
 - a. If the Bluetooth LED is blinking, no device is currently connected.
 - b. If the Bluetooth LED is solid, a device is connected. To disconnect the connected device, use the Bluetooth release function.
 - c. Only one Bluetooth device can be connected at a time.
 - d. Initiate Bluetooth pairing on your device. When pairing is complete, music will be played back from your Bluetooth-connected device.

The DALI VEGA will automatically connect to the latest used device when Bluetooth is selected if a device has been paired to the DALI VEGA earlier, and is within range.

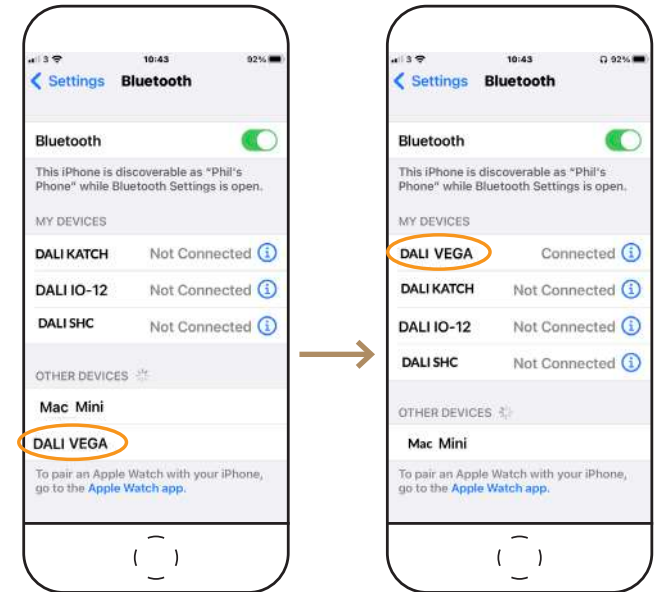
The DALI VEGA will not initiate auto playback. Playback has to be started from the connected device or by pressing the Mute button shortly on DALI VEGA or the remote control.

11.2 Bluetooth release

If you are unable to pair your device with the DALI VEGA:

1. Press and hold the Bluetooth release button (Mute button) until the Bluetooth release sound plays and the Bluetooth LED (LED 1) starts blinking.
2. The connected device is now released, and you can restart pairing.
3. Bluetooth release can also be activated by going to **Input settings** -> **Bluetooth** in the menu system.

! Up to 8 Bluetooth devices can be paired with the DALI VEGA.



! If you change the name of the DALI VEGA in the BluOS app, the Bluetooth name will change accordingly.












12. CARE AND SUPPORT

Your DALI VEGA should not require any special treatment beyond the kind of care that you would give other high-value items in your home. Use a soft, dry cloth to dust off the case.

DALI does not recommend using any cleaning fluids or sprays.

13. BLUOS TROUBLESHOOTING

The multi-colour light indicator by the BluOS logo also indicates the BluOS status of the DALI VEGA:

	Indicator light code	Description
	Solid red, then flashing green	Powering up / rebooting the unit
	Solid green	Hotspot mode
	Flashing green	Connecting to network
	White pulse	Software update available
	Solid red	Upgrade mode
	Alternate flashing red and green	Upgrading
	Flashing blue	Mute mode
	Solid white	Indexing
	Solid blue	Connected to network – ready to use with the BluOS app
	Flashing red	Factory reset in progress
	Solid purple	Hotspot mode timed out

For more information, see the Bluesound support page:

 [Bluesound support page](#)

14. FIRMWARE UPDATES

Updated firmware for your DALI VEGA may occasionally be made available via the BluOS app. Updated firmware may improve performance and reliability or introduce new features.



15. POWER CONSUMPTION

Offline mode

Press the standby button and hold for 5 seconds. This will disable all connections and reduce power consumption to a minimum, until VEGA is reactivated by pressing the standby button again.

Networked standby mode

Networked standby mode is automatically activated if no audio is played and no user selections made for 20 minutes. In this mode, any user action, including starting music playback on any connected source, automatically wakes VEGA.

Deactivation of Wi-Fi

Wireless network functions are automatically deactivated whenever an ethernet cable is connected to VEGA.

Mode	Power consumption	Activation	Deactivation
Active (no audio)	9.2 W	(See deactivation of Networked standby mode)	(See activation of Networked standby mode)
Networked standby (HiNA)	2.9 W	Automatically after 20 mins without audio and user operations	Any user operation, including starting playback
Offline	< 0.7 W	Manually, holding down the standby button	Manually, pressing the standby button

16. DALI VEGA SPECIFICATIONS

DALI VEGA	
Frequency range	32 - 22,700 Hz, ±3 dB
Maximum SPL @ 1 m	110 dB
Crossover frequency	2,400 Hz
Crossover principle	2-way, 8-ch active crossover
High frequency driver(s)	4 x 25 mm soft dome
High frequency diaphragm	Soft woven fabric
Low/mid frequency driver(s)	4 x 4½-inch
Low/mid frequency diaphragm	Paper and wood fibre cone
Enclosure type	Tuned mass enclosure 2 x Rectangular passive radiators (3 x 6-inches)
Passive radiator tuning frequency	32 Hz
Amplifier type	Class D Bridge-Tied Load (BTL)
Amplifier output pr. channel	8 x 50 W
Total amplifier output power	400 W
Connection input(s)	1 x HDMI ARC 1 x Analogue input (RCA unbalanced, stereo) 1 x Optical input (Toslink, stereo) 1 x USB Audio/Service (HDD or USB drive)
Connection output(s)	Sub out USB power (5V/1A)
Sub out low pass filter	120 Hz
Digital input formats	PCM, stereo

DALI VEGA	
Wireless input(s)	Bluetooth BluOS Spotify Connect Tidal Connect Apple Airplay 2
Bluetooth input codecs	AAC aptX aptX HD
BluOS input codecs	MP3 AAC (M4A, MP4) WMA OGG FLAC ALAC (M4A) WMA-L MQA WAV AIFF (AIF, AIFFC) PCM DSD256 (DSD to PCM conversion)
Supported input audio formats	16 - 24 bit audio 32 / 44.1 / 48 / 96 / 192 kHz sample rate
Recommended placement	Standing: Free space Standing: Near wall Standing: Close to corner/wall On wall: Landscape On wall: Portrait

Continues on next page

16. DALI VEGA SPECIFICATIONS

DALI VEGA

Functions	<ul style="list-style-type: none"> Adaptive Orientation Adjustment Adaptive Stereo Enhancement Up to 40 programmable presets Sound adjust (Direct/Custom EQ) Rear wall distance Bluetooth release/clear HDMI audio delay Optical signal/carrier detect Input sense LED setting Factory reset Stand-by (Auto Power) Mute Power On/Off Volume Source Select
Maximum power consumption	250 W
Standby power consumption	≤ 3 W
Dimensions (H x W x D)	143 x 683 x 243 mm 5.63 x 26.90 x 9.57 inches
Shipping dimensions (H x W x D)	330 x 870 x 200 mm 13.0 x 34.25 x 7.87 inches
Weight	8.7 kg 19.18 lb
Shipping weight	13.3 kg 29.32 lb
Finish	Dark Oak Natural Oak

DALI VEGA

Accessories included	<ul style="list-style-type: none"> 1 x Remote control 2 x AAA batteries (for Remote control) 2 x Wall brackets (Wall) 2 x Wall brackets (VEGA) 2 x Screws for VEGA wall brackets 1 x M6 Allen key 1 x Cable holder 1 x Mains cable 1 x Product registration card 1 x Quick start guide 2 x Wall mounting template 1 x Safety manual
----------------------	---

Legal Notices

The following terms are trademarks or registered trademarks of their respective owners:

Bluetooth®	Bluetooth SIG, Inc.
Bluos™	Bluesound International, a division of Lenbrook Industries Limited
HDMI®	HDMI Licensing Administrator, Inc.
Wi-Fi®	Wi-Fi Alliance

DALI VEGA

ANLEITUNG

VERSION 1.0 - MÄRZ 2026
DEUTSCH





INHALT

1.	Einleitung	38
2.	Lieferumfang.....	39
3.	Auspacken.....	40
4.	Wi-Fi Verbindung und BluOS-Einrichtung.....	41
5.	Aufstellung Ihrer DALI VEGA	42
6.	Kabelmanagement	44
7.	Wandmontage Ihrer DALI VEGA.....	45
8.	Kabelgebundene Verbindungen.....	50
9.	Konfiguration Ihrer DALI VEGA.....	53
10.	Verwendung Ihrer DALI VEGA.....	59
11.	Bluetooth-Verbindung	64
12.	Produktpflege und technische Unterstützung ..	65
13.	BluOS-Fehlerbehebung.....	65
14.	Firmware-Aktualisierung.....	66
15.	Leistungsaufnahme	67
16.	DALI VEGA – Technische Daten	68

1. EINLEITUNG

Herzlichen Glückwunsch zu Ihrer neuen DALI VEGA. Die DALI VEGA ist ein hochmodernes All-in-One-Soundsystem im kompakten Format, das neue Maßstäbe für integrierte Musikwiedergabelösungen setzt. Die DALI VEGA verbindet herausragende Klangqualität mit immenser Vielseitigkeit, intuitiver Benutzerfreundlichkeit und einem einzigartigen, ansprechenden dänischen Design auf höchstem Niveau.

Diese Anleitung beschreibt die Einrichtung und Bedienung der DALI VEGA.

Bevor Sie Ihre DALI VEGA in Betrieb nehmen, sollten Sie diese Anleitung lesen.

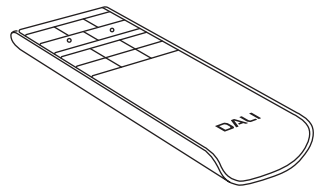
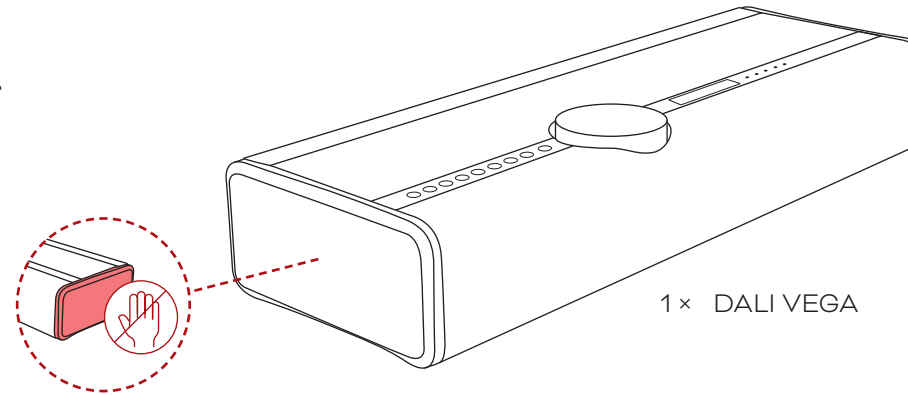
In dieser Anleitung beschreiben wir zunächst den Lieferumfang der DALI VEGA und beschäftigen uns dann mit der Aufstellung, den Anschlüssen, der Konfiguration und dem täglichen Gebrauch der DALI VEGA.



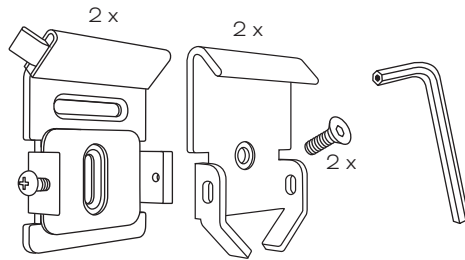
2. LIEFERUMFANG

Auf dieser Seite sehen Sie den Lieferumfang der DALI VEGA.

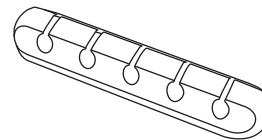
! Vermeiden Sie es, die Passivstrahler an beiden Enden der DALI VEGA zu berühren.



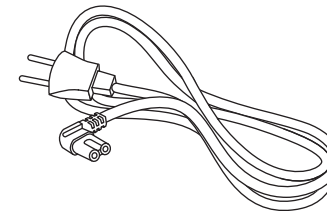
1× Fernbedienung
2× AAA-Batterien
(für die Fernbedienung)



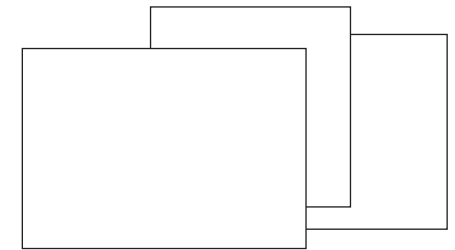
2× Wandhalterungen
(für Wandmontage)
2× Wandhalterungen (VEGA)
2× Schrauben für VEGA-
Wandhalterungen
1× M6-Inbusschlüssel



1× Kabelhalter

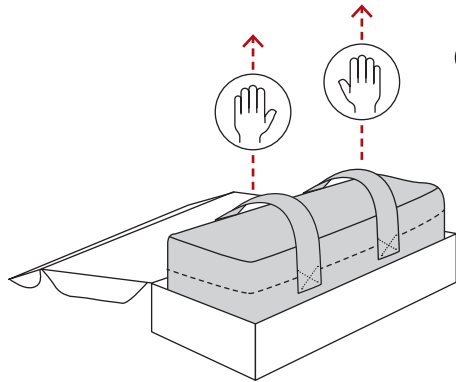


1× Netzkabel

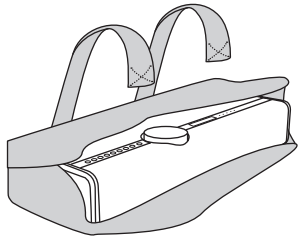


1× Produktregistrierungskarte
1× Kurzanleitung
2× Wandmontageschablone
1× Sicherheitshinweise

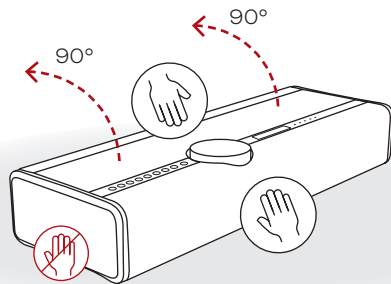
3. AUSPACKEN



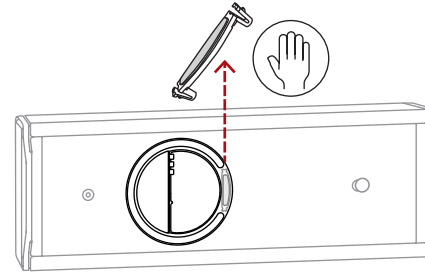
- 1** Öffnen Sie den Deckel des Kartons und heben Sie die VEGA an den beiden Gurten aus dem Karton.



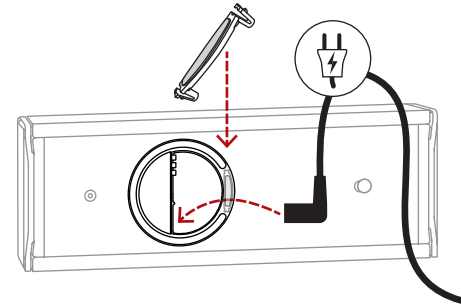
- 2** Lösen Sie die Klettbänder und nehmen Sie die Abdeckung ab.



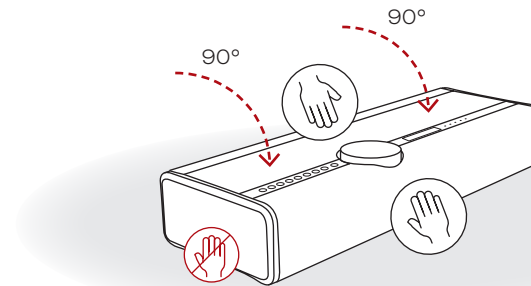
- 3** Kippen Sie die VEGA um 90 Grad, sodass sie auf der Rückseite zu liegen kommt. Öffnen und entfernen Sie die Kabelklemme.



- 4** Schließen Sie das Netzkabel und alle zusätzlichen Kabel an.



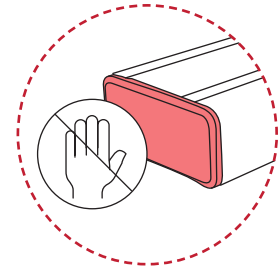
- 5** Befestigen Sie die Kabelklemme und stellen Sie die VEGA wieder auf ihre Füße.



- 6** Die VEGA ist jetzt bereit zum Herstellen der Wi-Fi-Verbindung.

! WICHTIG!

Achten Sie beim Auspacken darauf, dass Sie die Passivstrahler nicht berühren.



4. WI-FI VERBINDUNG UND BLUOS-EINRICHTUNG

1 Schalten Sie Ihre DALI VEGA an

Warten Sie, bis die BluOS-LED dauerhaft grün leuchtet und damit den Hotspot-Modus anzeigt.

2 Holen Sie sich die BluOS-App

Laden Sie mit Ihrem Smartphone oder Tablet die BluOS-App herunter und öffnen Sie sie.



3 Fügen Sie Ihre DALI VEGA zu Ihrem Netzwerk hinzu

Der Assistent „Mit Player verbinden“ führt Sie durch die einzelnen Schritte, um die Einrichtung von BluOS abzuschließen.



Besuchen Sie bluesound.com/downloads, um die App herunterzuladen.

Die Ersteinrichtung des Netzwerks erfolgt über die BluOS-App auf Ihrem Smartphone oder Tablet. Stellen Sie sicher, dass Sie die App heruntergeladen und installiert haben und Ihr Smartphone oder Tablet in der Nähe ist, wenn Sie beginnen.

! Wenn Sie ein iOS-Gerät verwenden, können Sie die DALI VEGA auch über die Option „Neuen AirPlay-Lautsprecher einrichten“ in Ihren iOS-Wi-Fi-Einstellungen mit Ihrem Wi-Fi-Netzwerk verbinden.



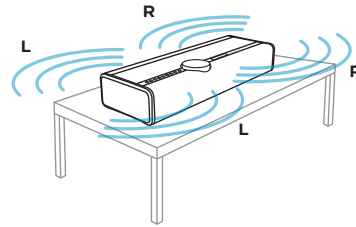
! Wenn die LAN-Buchse (Netzwerkanschluss) Ihrer DALI VEGA per Kabel mit einem Heim-Router oder einem Netzwerk-Switch verbunden ist, benötigt sie keine Wi-Fi-Verbindung. Ihre DALI VEGA wird für die Einrichtung in der BluOS Controller App angezeigt.

→ [Bluesound Support-Seite](#)

5. AUFSTELLUNG IHRER DALI VEGA

Die DALI VEGA zeichnet sich durch besondere Vielseitigkeit aus kann in einer Vielzahl von Wohnräumen flexibel aufgestellt oder montiert werden. Sie kann zum Beispiel auf einem Tisch, einem Möbelstück, einem Regal oder einer Fensterbank platziert werden. Mit der DALI VEGA Wandhalterung kann die DALI VEGA auch im Hoch- oder Querformat an der Wand montiert werden. Bei der Aufstellung Ihrer DALI VEGA muss lediglich ein Stromanschluss in Reichweite sein sowie gegebenenfalls Zugang zu einem Netzwerkrouter oder Switch, wenn Sie eine kabelgebundene Netzwerkverbindung bevorzugen.

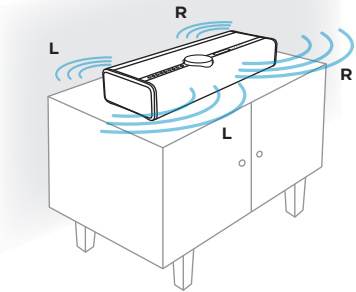
Je nach Ausrichtung Ihrer DALI VEGA passt diese das Stereo-Routing zu den vorderen und hinteren Lautsprechern automatisch an, je nachdem, ob sie im Stehen, im Quer- oder im Hochformat betrieben wird. Auch die Anzeige im Display passt sich automatisch der Aufstellung an.



1 Aufstellung: Frei

Die DALI VEGA gibt Musik in beide Richtungen wieder – nach vorne und hinten.

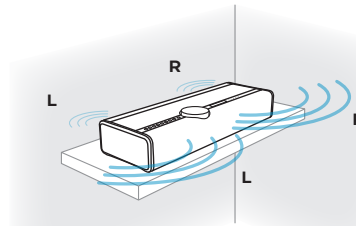
Empfohlene Einstellung für den Abstand zur Rückwand: **Free**.



2 Aufstellung: In der Nähe einer Wand

Die DALI VEGA strahlt auf der Vorderseite einen größeren Signalanteil ab als zur Rückseite.

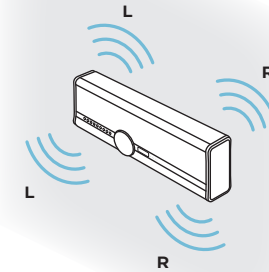
Empfohlene Einstellung für den Abstand zur Rückwand: **Medium**



3 Aufstellung: In der Nähe einer Raumecke

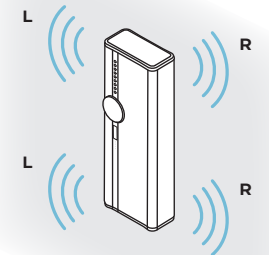
In dieser Betriebsart gibt die DALI VEGA einen noch geringeren Signalanteil nach hinten ab.

Empfohlene Einstellung für den Abstand zur Rückwand: **Short**.



4 Wandmontage: Querformat

Die DALI VEGA gibt Musik in beide Richtungen wieder. Der Abstand zur Rückwand wird automatisch eingestellt.



5 Wandmontage: Hochformat

Die DALI VEGA gibt Musik in beide Richtungen wieder. Die vorderen Lautsprecher geben den linken Kanal wieder, die hinteren Lautsprecher den rechten Kanal. Der Abstand zur Rückwand wird automatisch eingestellt.

5. AUFSTELLUNG IHRER DALI VEGA

Adaptive Orientation Adjustment (Adaptive Orientierungsanpassung)

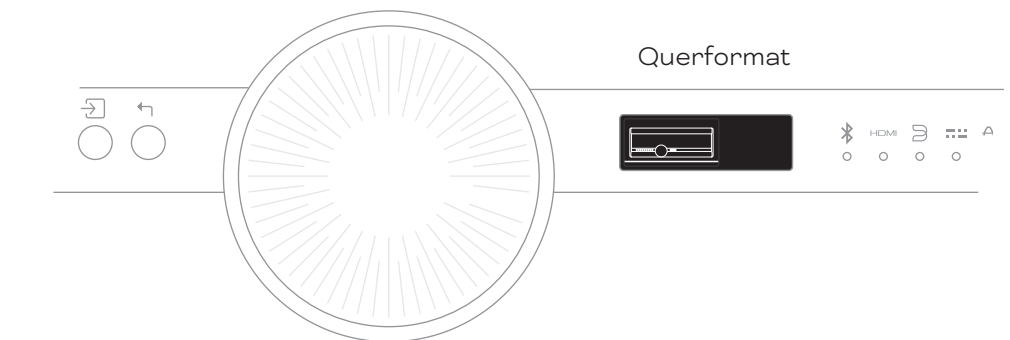
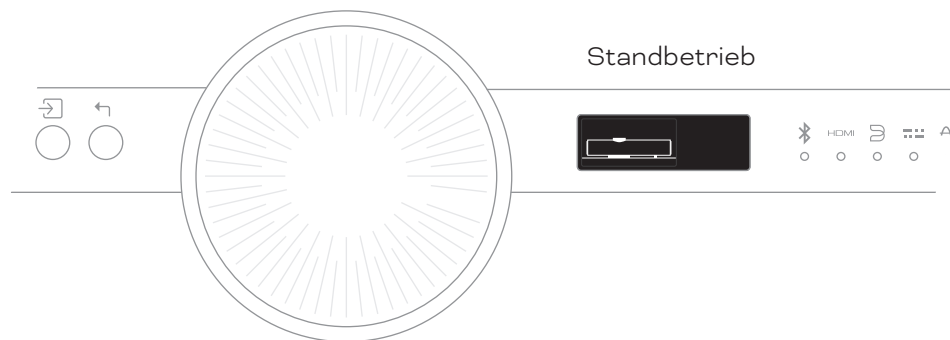
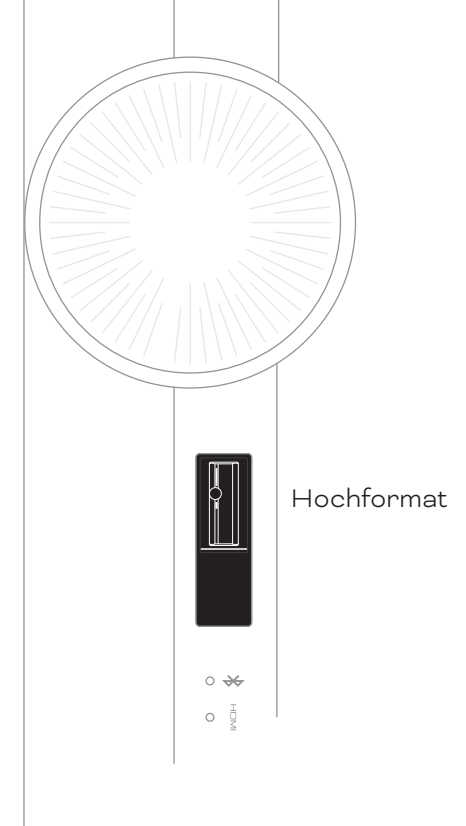
Die DALI VEGA ist mit der von den DALI-Ingenieuren entwickelten, fortschrittlichen „Adaptive Orientation Adjustment“-Technologie ausgestattet. Adaptive Orientation Adjustment ermöglicht eine nahtlose Integration der DALI VEGA in jeden Wohnraum, unabhängig davon, wie Sie sie aufstellen oder montieren.

Die VEGA ist mit einem internen Lagesensor ausgestattet und erkennt auf intelligente Weise ihre Ausrichtung – ganz gleich, ob sie auf einem Regal oder Tisch steht oder im Hoch- oder Querformat montiert an der Wand wurde. Außerdem wird die Zuordnung der Stereokanäle automatisch angepasst, um eine optimale Audiowiedergabe zu gewährleisten. Diese

Echtzeitanpassung verbessert die räumliche Genauigkeit und die Stereoabbildung und sorgt unabhängig von der Platzierung für ein konsistentes, intensives Hörerlebnis.

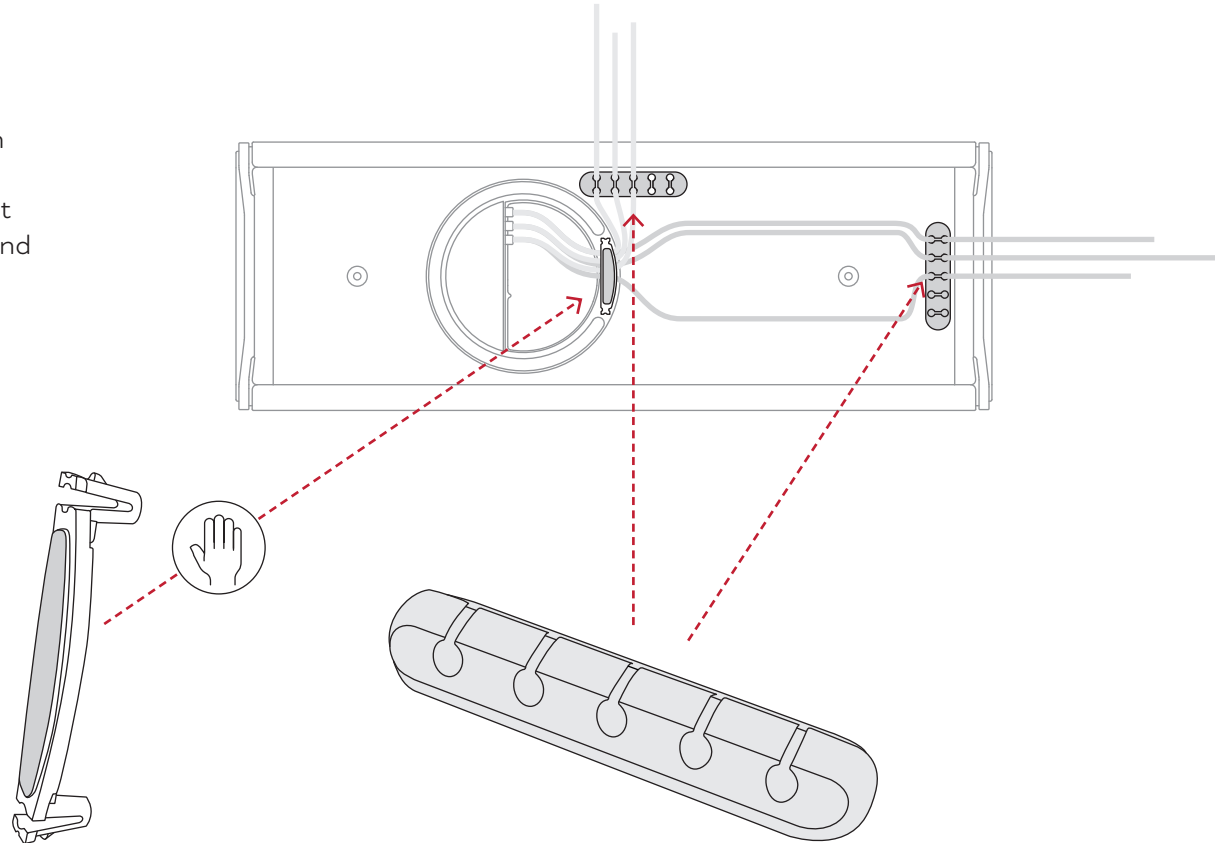
Adaptive Orientation Adjustment ist ein Schlüsselement der Designphilosophie von VEGA, bei der ihre Aufstellung erkannt und das Wiedergabeverhalten entsprechend angepasst wird. Sie ermöglicht es, die Wiedergabe Ihren Wünschen anzupassen, sodass dass Sie ein besonders ausgewogenes, präzises und unverfälschtes Klangbild genießen können.

Wenn Sie Ihre VEGA in die gewünschte Ausrichtung bringen, zeigt das Display den gewählten Adaptive-Orientation-Adjustment-Modus durch eines von drei Logos an.



6. KABELMANAGEMENT

Auf der Rückseite des VEGA befindet sich ein Kabelclip, den Sie an beiden Enden mit den Fingern aufziehen können. In Verbindung mit der mitgelieferten Kabelhalterung ermöglicht sie ein einfaches Kabelmanagement bei jeder Ausrichtung und Platzierung.



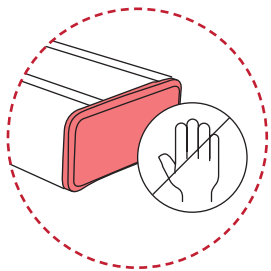
7. WANDMONTAGE IHRER DALI VEGA

Um die DALI VEGA im Quer- oder Hochformat an der Wand zu montieren, verwenden Sie die vier mitgelieferten Wandhalterungen.

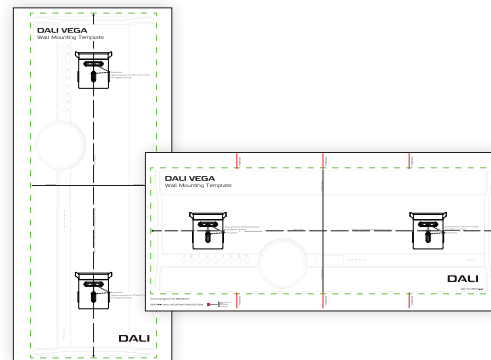
Zwei der Wandhalterungen werden mit den beiliegenden Wandhalterungsschrauben auf der Rückseite des DALI VEGA mit dem M6-Inbusschlüssel befestigt.

Die beiden anderen Wandhalterungen werden mit vier geeigneten Schrauben (nicht im Lieferumfang enthalten) an der Wand befestigt.

Folgen Sie den Anweisungen auf dieser und den folgenden Seiten.

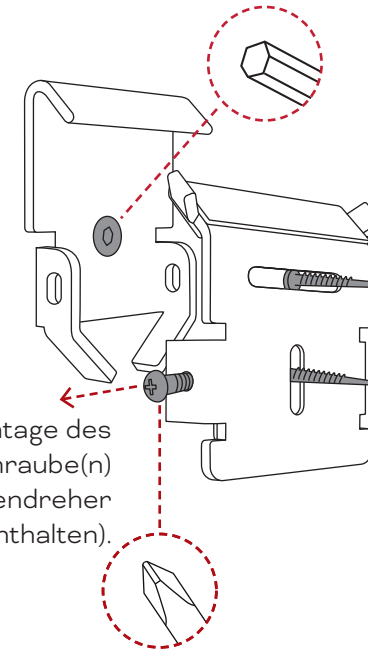


! Achten Sie bei der Montage darauf, dass Sie die Passivstrahler nicht berühren.



Die Halterungen für die DALI VEGA werden mit je einer Halterungsschraube (im Lieferumfang enthalten) montiert. Benutzen Sie einen M6-Inbusschlüssel und befestigen Sie die Halterungen sicher an ihrem Platz.

Lösen Sie vor der Montage des Lautsprechers die Sicherungsschraube(n) mit einem Kreuzschlitzschraubendreher (nicht im Lieferumfang enthalten).



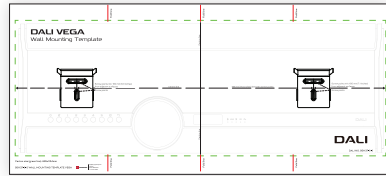
Die Wandhalterungen werden mit zwei Schrauben befestigt, die für den jeweiligen Wandtyp geeignet sind. Diese Schrauben sind nicht im Lieferumfang enthalten.

! Mit den mitgelieferten **Wandbefestigungsschablonen** können Sie die korrekten Montagepositionen für die Wandhalterungen mühelos bestimmen.

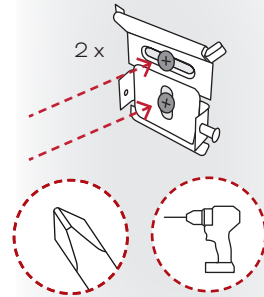
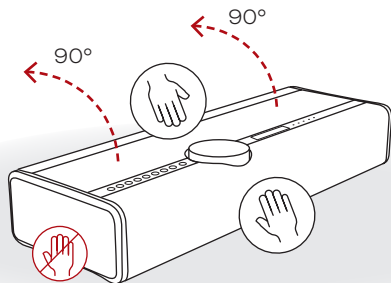
Es gehören zwei **Wandmontage-Schablonen** zum Lieferumfang: eine für die Montage im Querformat und eine für die Montage im Hochformat.

7. WANDMONTAGE IHRER DALI VEGA

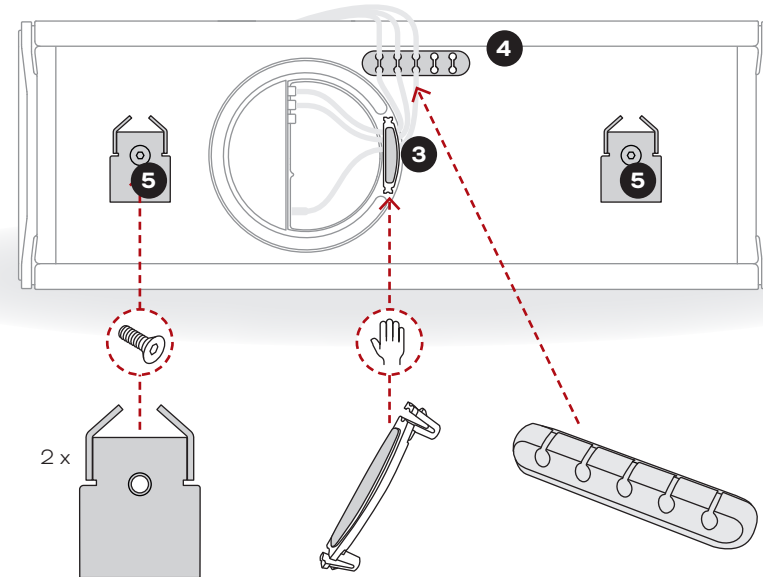
Montage im Querformat (1/2)



- 1** Verwenden Sie die mitgelieferte Schablone für die Wandmontage im Querformat, um die 2 × 2 Bohrlöcher zu markieren, und befestigen Sie dann die beiden Wandhalterungen an der Wand.
- 2** Kippen Sie die VEGA um 90 Grad, sodass sie auf der Rückseite zu liegen kommt.



! Legen Sie die VEGA bitte NICHT auf ihrer Vorder- oder Oberseite ab, da dies zu Kratzern am Lautstärkedrehregler führen kann.

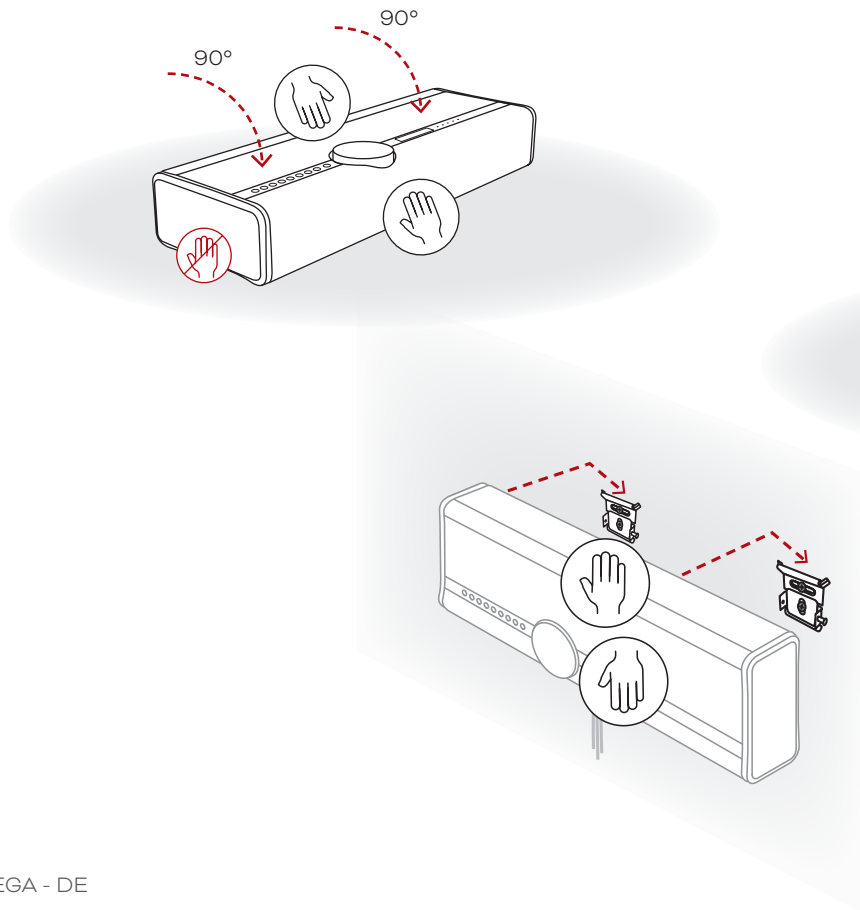


- 3** Montieren Sie die VEGA-Wandhalterungen für das Querformat.
- 4** Platzieren Sie die selbstklebende Kabelhalterung an der VEGA und führen Sie die Kabel durch.
- 5** Entfernen Sie die Kabelklemme, schließen Sie die Kabel an, und bringen Sie die Kabelklemme wieder an.

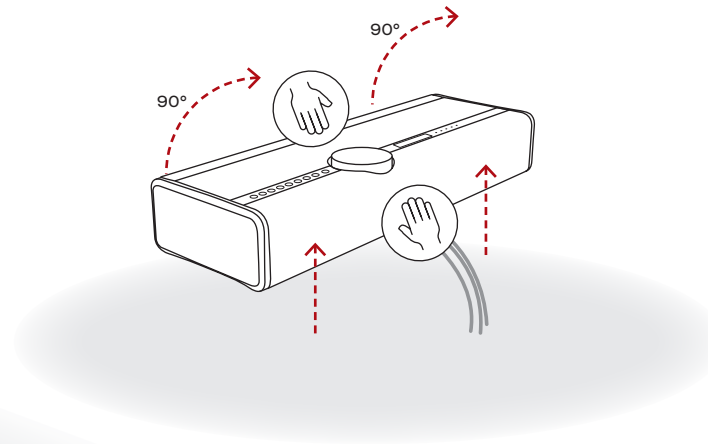
7. WANDMONTAGE IHRER DALI VEGA

Montage im Querformat (2/2)

6 Stellen Sie die VEGA wieder auf ihre Füße.

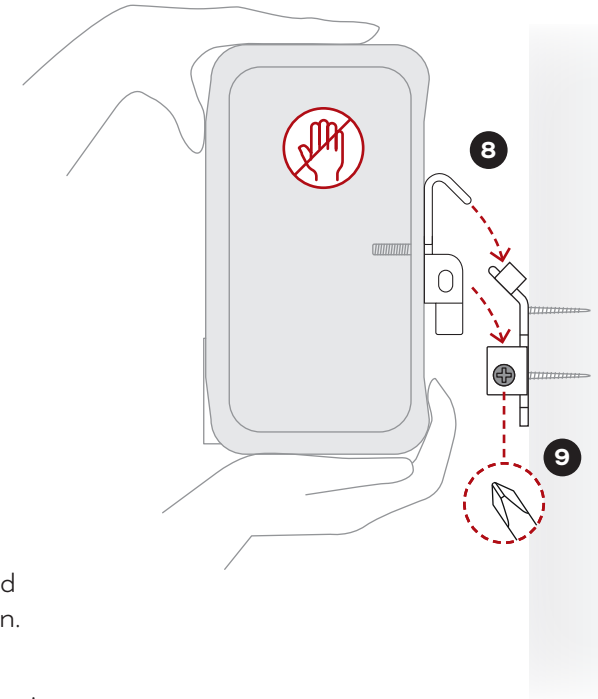


7 Heben Sie die VEGA an und drehen Sie die Unterseite (und die Wandhalterungen) zur Wand hin.



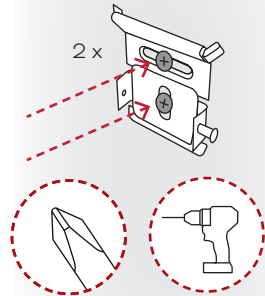
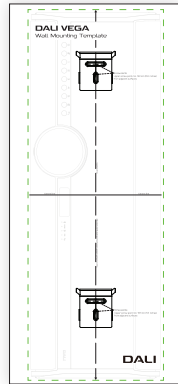
8 Heben Sie die VEGA vorsichtig an und befestigen Sie sie an den Halterungen.

9 Ziehen Sie die Sicherungsschrauben mit einem Kreuzschlitzschraubendreher fest.



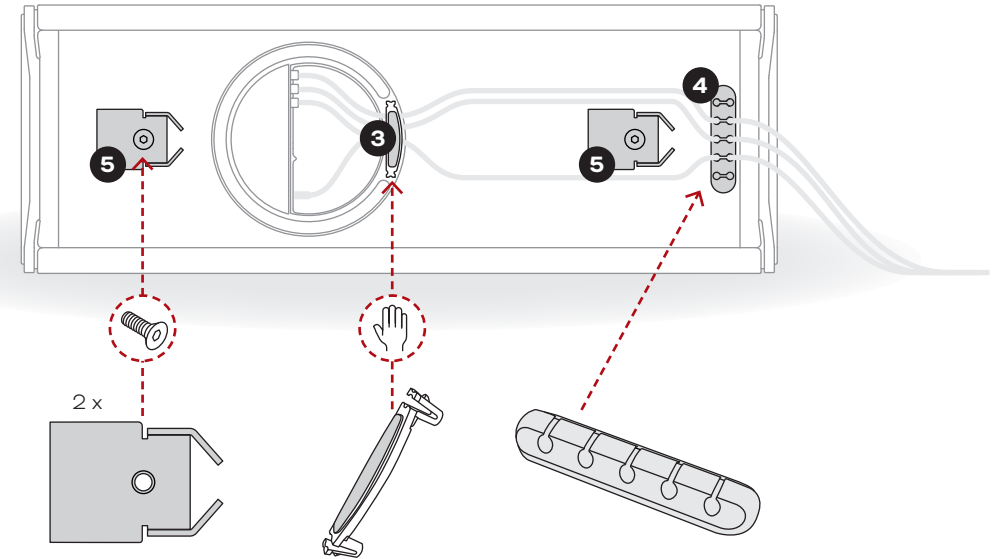
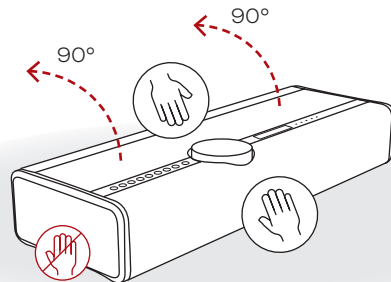
7. WANDMONTAGE IHRER DALI VEGA

Ausrichtung im Hochformat (1/2)



- 1 Verwenden Sie die mitgelieferte Schablone für die Wandmontage im Hochformat, um die 2 x 2 Bohrlöcher zu markieren, und befestigen Sie dann die beiden Wandhalterungen an der Wand.

- 2 Kippen Sie die VEGA um 90 Grad, sodass sie auf der Rückseite zu liegen kommt.

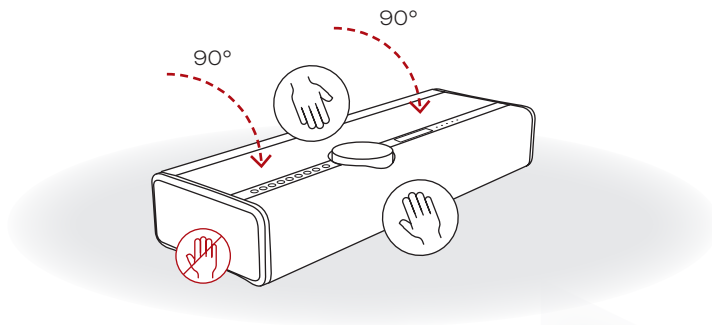


- 3 Entfernen Sie die Kabelklemme, schließen Sie die Kabel an, und bringen Sie die Kabelklemme wieder an.
- 4 Platzieren Sie die selbstklebende Kabelhalterung an der VEGA und führen Sie die Kabel durch.
- 5 Montieren Sie die VEGA-Wandhalterungen für das Hochformat.

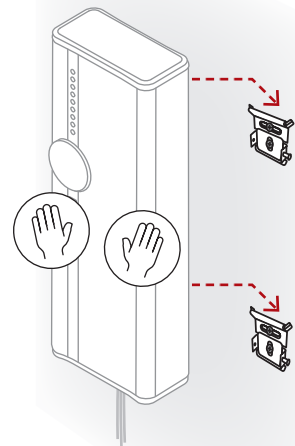
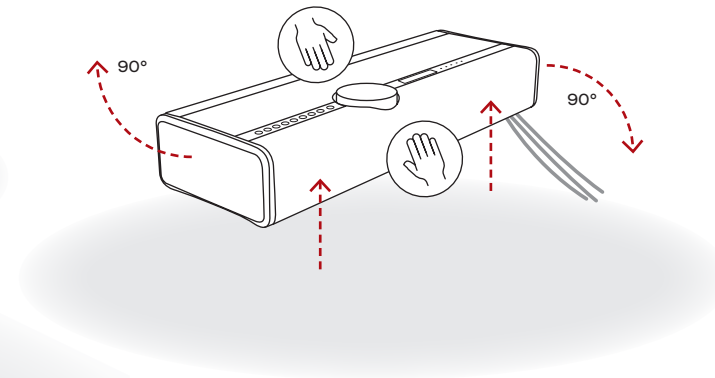
7. WANDMONTAGE IHRER DALI VEGA

Ausrichtung im Hochformat (2/2)

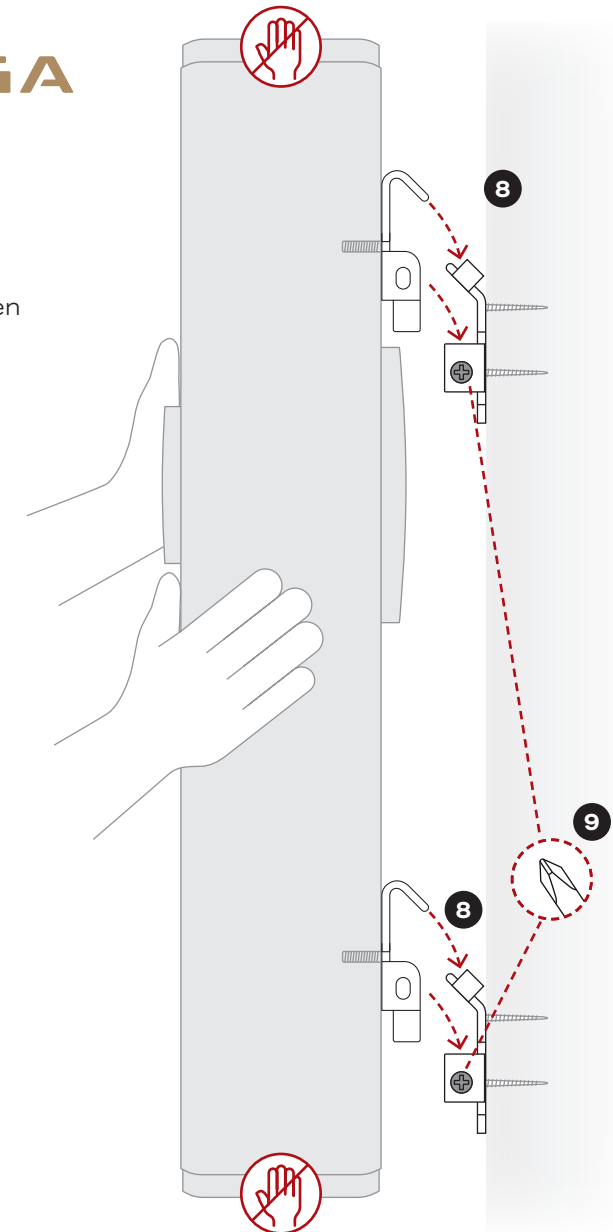
- 6** Stellen Sie die VEGA wieder auf ihre Füße.



- 7** Heben Sie die VEGA an, drehen Sie die Unterseite (und die Wandhalterungen) zur Wand hin und drehen Sie sie im Uhrzeigersinn ins Hochformat.



- 8** Heben Sie die VEGA vorsichtig an und befestigen Sie sie an den Halterungen.
- 9** Ziehen Sie die Sicherungsschrauben mit einem Kreuzschlitzschraubendreher fest.



8. KABELGEBUNDENE VERBINDUNGEN

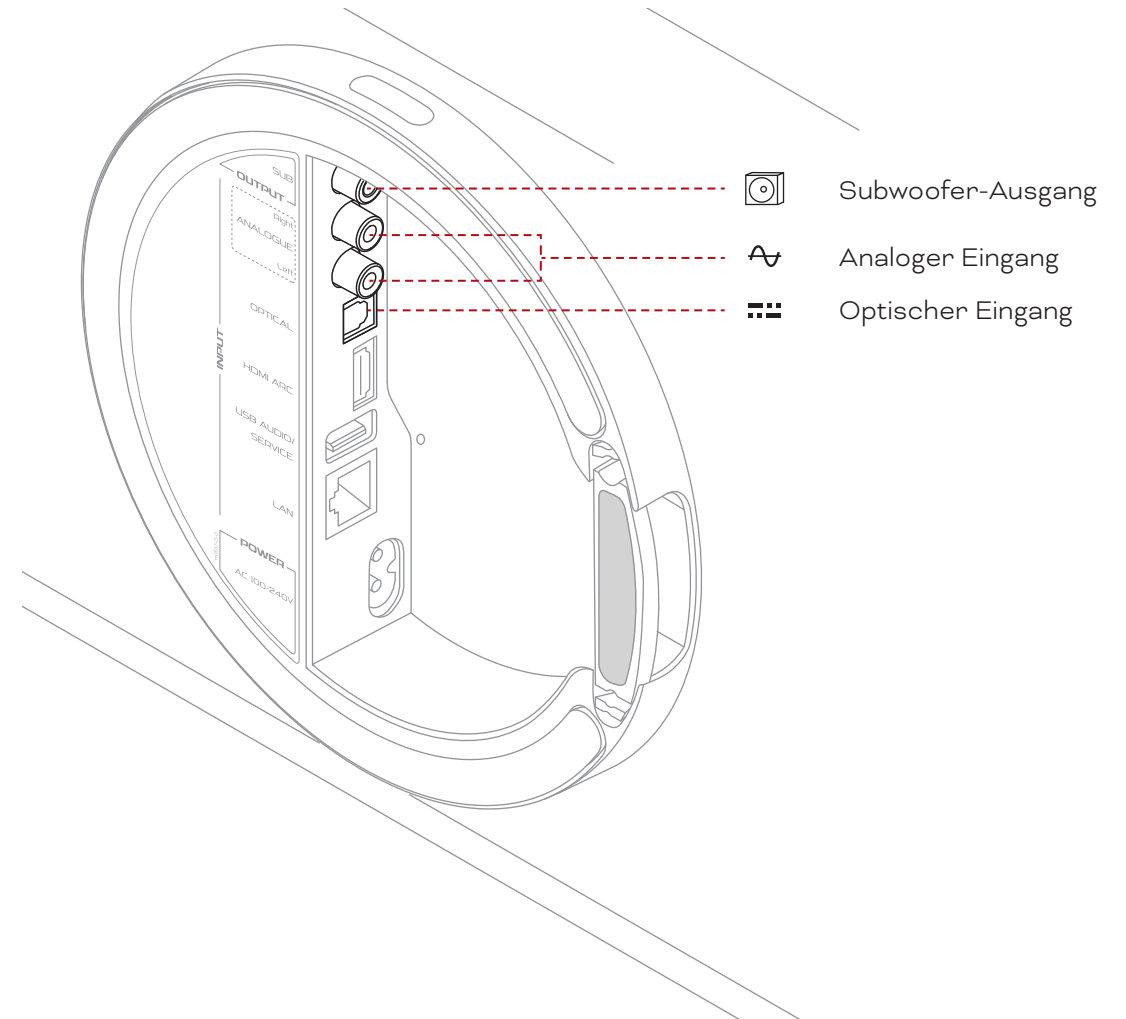
Der DALI VEGA bietet eine Vielzahl von Anschlussmöglichkeiten für die Integration in Ihr Home-Audio-System.

Die kabelgebundenen Anschlussbuchsen befinden sich im Anschlusspanel und bieten die folgenden Optionen:

Subwoofer-Ausgang: Über die Cinch-Phono-Buchse können Sie einen externen Subwoofer anschließen, um die Basswiedergabe Ihrer DALI VEGA zu verbessern. Das Ausgangssignal für den Subwoofer ist mono und wird bei 120 Hz tiefpassgefiltert.

Analoger Eingang: An die beiden Cinch-Phono-Buchsen können Sie eine externen Audioquelle anschließen, die ein Linepegel-Signal liefert. Dies kann zum Beispiel ein CD-Player oder ein Plattenspieler mit eingebautem RIAA sein.

Optischer Eingang: Die optische TOSLINK-Audiobuchse ermöglicht den Anschluss einer externen Audioquelle mit einem optischen Digitalausgang. Dies kann zum Beispiel ein Fernseher oder ein CD-Spieler sein.



8. KABELGEBUNDENE VERBINDUNGEN

HDMI ARC: Wenn Sie ein Fernsehgerät mit einem HDMI ARC (Audio Return Channel)-Anschluss haben, verbinden Sie diesen mit dem HDMI ARC-Anschluss Ihrer DALI VEGA. Möglicherweise müssen Sie auch im Einstellungsmenü Ihres Fernsehers externe Lautsprecher für die Audiowiedergabe auswählen und CEC (Consumer Electronics Control) aktivieren. Das Audioausgabeformat des Fernsehgerätes sollte auf „PCM“ oder „Stereo“ eingestellt sein.

Über HDMI und CEC können Sie mit der Fernbedienung Ihres Fernsehgerätes die Funktionen Lautstärke, Stummschaltung und Standby Ihrer DALI VEGA steuern.

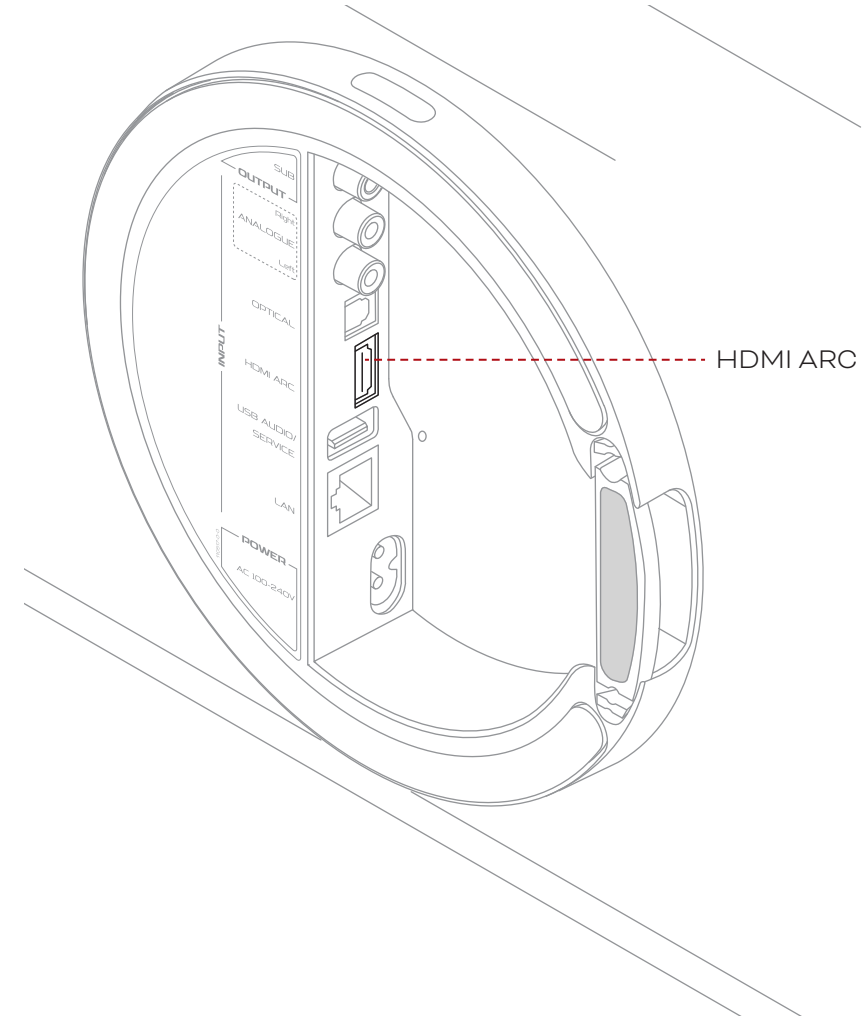
! Wenn Ihr Fernsehgerät HDMI ARC nicht unterstützt oder wenn Probleme mit der HDMI-Kompatibilität auftreten, empfiehlt DALI die Verwendung einer optischen Verbindung vom optischen Audioausgang Ihres Fernsehgerätes zur DALI VEGA.

In diesem Szenario können Sie die DALI VEGA über die HDMI-Verbindung weiterhin per CEC mit Ihrer TV-Fernbedienung steuern.

Damit Sie mit der Fernbedienung Ihres Fernsehers grundlegende Funktionen der DALI VEGA (Lautstärke, Stummschaltung, Ein-/Ausschalten) über HDMI steuern können, muss an Ihrem Fernseher HDMI CEC aktiviert sein.

Verschiedene TV-Hersteller verwenden für HDMI CEC verschiedene Bezeichnungen:

- Samsung: Anynet+
- LG: SimpLink
- Sony: Bravia Sync
- Phillips: EasyLink
- Panasonic: Viera Link
- Hitachi: HDMI-CEC



8. KABELGEBUNDENE VERBINDUNGEN

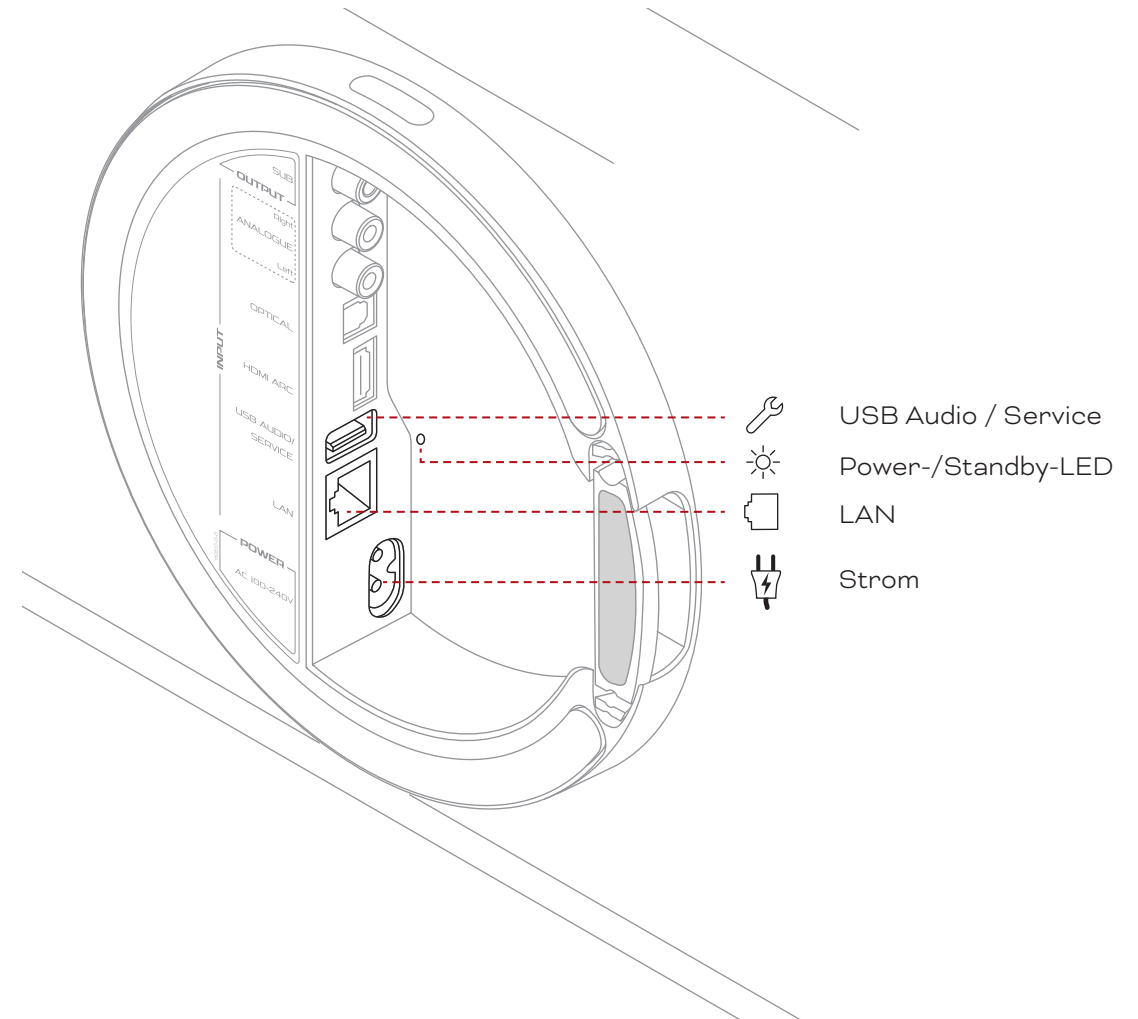
USB Audio / Service: Die USB-Buchse der DALI VEGA hat zwei Funktionen. Zum einen können Musikdateien, die auf USB-Speichermedien wie Festplatten und USB-Sticks gespeichert sind, von der DALI VEGA abgespielt und über BluOS in dem Heimnetzwerk, in das die DALI VEGA eingebunden ist, zugänglich gemacht werden. Zum anderen ermöglicht die USB-Buchse der DALI VEGA das Aufspielen von Software-Updates und das Durchführen von Servicefunktionen.

→ [Erste Schritte mit BluOS](#)

Power-/Standby-Leuchtdiode: Die Power/Standby-Leuchtdiode zeigt den Betriebszustand der DALI VEGA an.

LAN (Netzwerk): Die Netzwerkbuchse der DALI VEGA stellt die Musikstreaming-Funktionen der BluOS App über eine kabelgebundene Netzwerkverbindung zur Verfügung. Wenn Ihre DALI VEGA eine kabelgebundene Netzwerkverbindung nutzen soll, verbinden Sie die Netzwerkbuchse über ein Standard-Netzwerkkabel mit einem Heimnetzwerk-Router oder Switch.

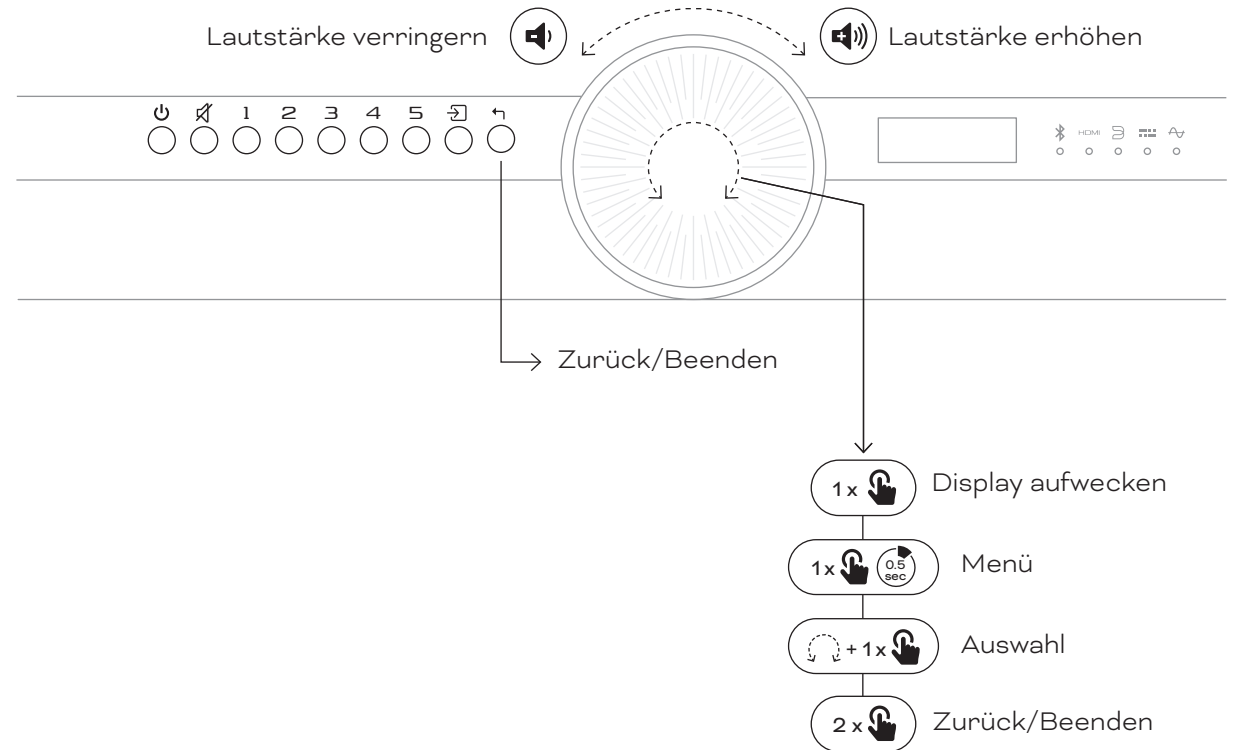
Strom: Schließen Sie Ihre DALI VEGA über das mitgelieferte Netzkabel an das Stromnetz an.



9. KONFIGURATION IHRER DALI VEGA

Wenn Ihre DALI VEGA positioniert und mit dem Stromnetz, Ihrem drahtlosen Netzwerk und gegebenenfalls Ihren kabelgebundenen Signalquellen verbunden ist, können Sie mit der Konfiguration beginnen.

Die DALI VEGA wird mit Hilfe eines Menüsystems eingerichtet. Verwenden Sie den **Lautstärkedrehregler** zur Auswahl von Menüoptionen. Um eine vorgenommene Auswahl zu bestätigen, tippen Sie auf die Oberfläche des **Lautstärkedrehreglers**. Verwenden Sie die Taste **Zurück/Beenden** links neben dem **Lautstärkedrehregler**, um ausgewählte Optionen zu speichern und gleichzeitig durch die Einstellungsmenüs zurückzugehen.



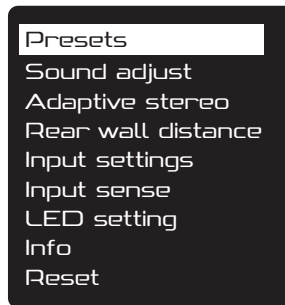
9. KONFIGURATION IHRER DALI VEGA

DALI VEGA Menüs

Um die Konfigurationsmenüs der DALI VEGA aufzurufen, tippen Sie einmal auf die Mitte des **Lautstärkedrehreglers** und halten Sie ihn gedrückt. Die oberste Ebene der Konfigurationsmenüs wird auf dem Display angezeigt. Drehen Sie den **Lautstärkedrehregler**, um im Menü nach oben und unten zu blättern, und tippen Sie erneut auf die Mitte des Lautstärkedrehreglers, um eine Menüoption auszuwählen und das entsprechende Untermenü aufzurufen.

In den folgenden Abschnitten der Anleitung werden die Konfigurationsoptionen beschrieben, die unter jedem Menüpunkt der obersten Ebene verfügbar sind.

! Wenn Sie innerhalb von zehn Sekunden keine Auswahl in einem Menü treffen, kehrt die Anzeige der DALI VEGA zum Eröffnungsbildschirm zurück.



Menü „Presets“ (Voreinstellungen)

Im Menü **Presets** können Sie die in der BluOS-App erstellten Presets (Voreinstellungen) durchblättern und aktivieren. Insgesamt 10 BluOS-Presets können (mit Hilfe der BluOS-App) den fünf Preset-Tasten links neben dem Lautstärkedrehregler zugewiesen werden.

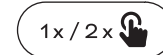
Presets 1 bis 10

Mit den Preset-Tasten können Sie vorher gespeicherte Elemente wie Radiosender oder Streamingdienste direkt auswählen.

Um eines der Presets von 1 bis 5 zu aktivieren, drücken Sie die entsprechende Taste.

Um eines der Presets 6 bis 10 zu aktivieren, drücken Sie eine der fünf Preset-Tasten zweimal.

Weitere gespeicherte BluOS-Presets finden Sie im Menü **Presets**, in dem bis zu 40 Presets aktiviert werden können. Sie können jede aktuell ausgewählte Quelle – zum Beispiel einen Internet-Radiosender oder einen Streaming-Dienst – einer der Preset-Tasten zuweisen, um sie jederzeit schnell zu aktivieren.



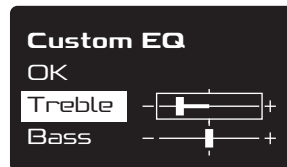
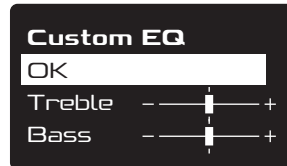
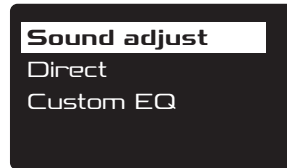
→ [Hinzufügen/Löschen von Presets](#)

9. KONFIGURATION IHRER DALI VEGA

Menü „Sound adjust“ (Klangeinstellungen)

Im Menü **Sound adjust** können Sie die Klangeinstellung vornehmen. Die Optionen sind **Direct** (normale DALI-VEGA-Wiedergabe) und **Custom EQ** (Entzerrung).

Wenn Sie die Option **Custom EQ** auswählen, können Sie die Bässe und Höhen mit den Menü-Optionen in einem Bereich von -10 bis 10 dB in 2-dB-Schritten einstellen. Stellen Sie die gewünschte Absenkung oder Anhebung der Bässe und Höhen mit dem **Lautstärkedrehregler** an.



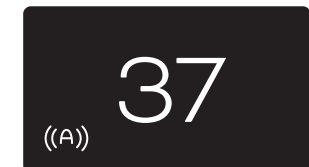
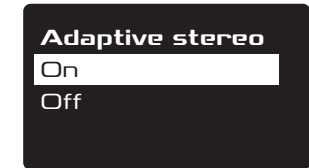
Menü „DALI Adaptive Stereo Enhancement“ (Adaptive Stereo-Optimierung)

Die DALI VEGA verfügt über eine von DALI entwickelte adaptive Stereo-Optimierung (Adaptive Stereo Enhancement, ASE), die das Stereoerlebnis von kompakten Lautsprechern verbessert, indem sie den Klang weiträumiger, intensiver und mitreißender macht.

DALI Adaptive Stereo Enhancement ist standardmäßig aktiviert, kann aber auch deaktiviert werden.

Im Menü **Adaptive stereo** können Sie die adaptive Stereo-Optimierung aktivieren oder deaktivieren. Wählen Sie die passende Option mit dem **Lautstärkedrehregler** aus.

- ! Wenn die adaptive Stereo-Optimierung aktiviert ist, wird dies durch das ASE-Logo ((A)) unten links im Hauptdisplay angezeigt.

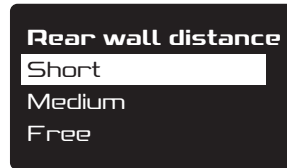


9. KONFIGURATION IHRER DALI VEGA

Menü „Rear wall distance“ (Abstand zur Rückwand)

Der Klang Ihrer DALI VEGA wird – wie es auch bei jedem anderen Lautsprechersystem der Fall ist – durch Raumbegrenzungen (Wände, Boden und Decken) beeinflusst. Das Menü **Rear wall distance** ermöglicht die Einstellung des Sounds der DALI VEGA in Abhängigkeit von ihrem Abstand zur Wand.

Verwenden Sie den **Lautstärkedrehregler**, um die Option auszuwählen, die dem Abstand Ihrer DALI VEGA zur Rückseite am besten entspricht.

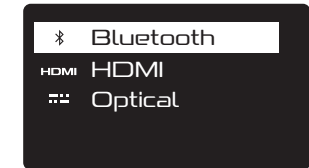


- ! **Short:** Weniger als 10 cm (3,9 Zoll) Abstand zur Rückwand
- Medium:** 10 bis 50 cm (3,9 bis 19,6 Zoll) Abstand zur Rückwand
- Free:** Mehr als 50 cm (19,6 Zoll) Abstand zur Rückwand

Das Menü **Rear wall distance** ist deaktiviert, wenn das DALI VEGA an der Wand montiert ist.

Menü „Input settings“ (Einstellungen für Eingänge)

Im Menü **Input settings** können Sie die Optionen für Bluetooth, HDMI und den optischen Eingang konfigurieren.



Die Optionen sind:

- Bluetooth:** **Verbindungsfreigabe (Release connection)** und **Löschen von Kopplungen (Clear pairings).**
- HDMI:** **Verzögerung (Audio delay).**
- Optical:** **Signalerkennung (Signal detect)** und **Trägererkennung (Carrier detect).**

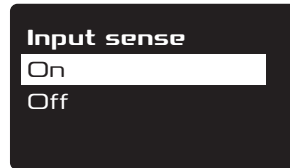
- ! Die HDMI-Audioverzögerung ermöglicht die Optimierung der TV-Lippensynchronisation.

Die Erkennung des Signals am optischen Eingang und die Trägererkennung ermöglichen es der DALI VEGA, entweder automatisch ihren optischen Eingang zu aktivieren, wenn das am optischen Eingang angeschlossene Gerät eingeschaltet ist oder nur dann, wenn ein Audiosignal anliegt.

9. KONFIGURATION IHRER DALI VEGA

Menü „Input sense“ (Einstellungen für Eingänge)

Im Menü **Input Sense** können Sie festlegen, dass die DALI VEGA sich aus dem Standby einschalten soll, sobald ein Signal an einem beliebigen Eingang anliegt und sich automatisch nach 20 Minuten wieder abschaltet, wenn kein Eingangssignal anliegt. Die Eingangserkennung (**Input sense**) kann aktiviert oder deaktiviert werden. Wählen Sie die gewünschte Option mit dem **Lautstärkedrehregler** aus.



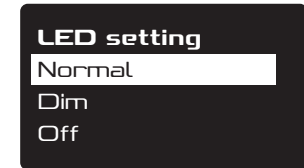
- ! Analoge und optische Eingänge werden automatisch ausgewählt, wenn ein Audiosignal erkannt wird – vorausgesetzt, dass Input Sense aktiviert ist (**On**) und Ihre DALI VEGA gerade kein Signal wiedergibt.

Die Bluetooth- und BluOS-Eingänge werden automatisch ausgewählt, wenn die Wiedergabe an der damit verbundenen Quelle gestartet wird.

Der HDMI-ARC-Eingang wird automatisch ausgewählt, wenn ein dort angeschlossener Fernseher eingeschaltet wird und die VEGA gerade kein Signal wiedergibt.

Menü „LED setting“ (LED-Einstellungen)

Im Menü **LED setting** können Sie die Helligkeit der Leuchtdioden der DALI VEGA einstellen. Wählen Sie die gewünschte Option mit dem **Lautstärkedrehregler** aus.




- ! Wenn Sie die Einstellung **Off** wählen, sind die Leuchtdioden immer abgeschaltet, und die aktuelle Quellenwahl wird in der unteren rechten Ecke des Displays angezeigt.

9. KONFIGURATION IHRER DALI VEGA

Menü „Info“ (Systeminformationen)


Im Menü **Info** werden Systeminformationen angezeigt, die bei der Fehlersuche hilfreich sein können. Verwenden Sie den **Lautstärkedrehregler**, um die gewünschten Informationen auszuwählen und anzuzeigen, und verlassen Sie das Menü mit der Taste **Zurück/Beenden**.



Software version
BluOS version
Player name
IP address
LAN MAC addr.
WiFi Mac addr.
Orientation

Menü „Reset“ (Zurücksetzen der Einstellungen)

Mit dem Menü **Reset** können Sie die Benutzereinstellungen Ihrer DALI VEGA zurücksetzen, wenn dies erforderlich ist.



Reset
Settings
BluOS/WiFi
All

Verwenden Sie den **Lautstärkedrehregler**, um die gewünschte Option auszuwählen und anzuzeigen, und verlassen Sie das Menü mit der Taste **Zurück/Beenden**.

- ! Wenn Sie **Settings** auswählen, werden alle Benutzereinstellungen zurückgesetzt. Dies umfasst alle Bluetooth-Kopplungen, nicht aber die BluOS-Presets und die Wi-Fi-Konfiguration.

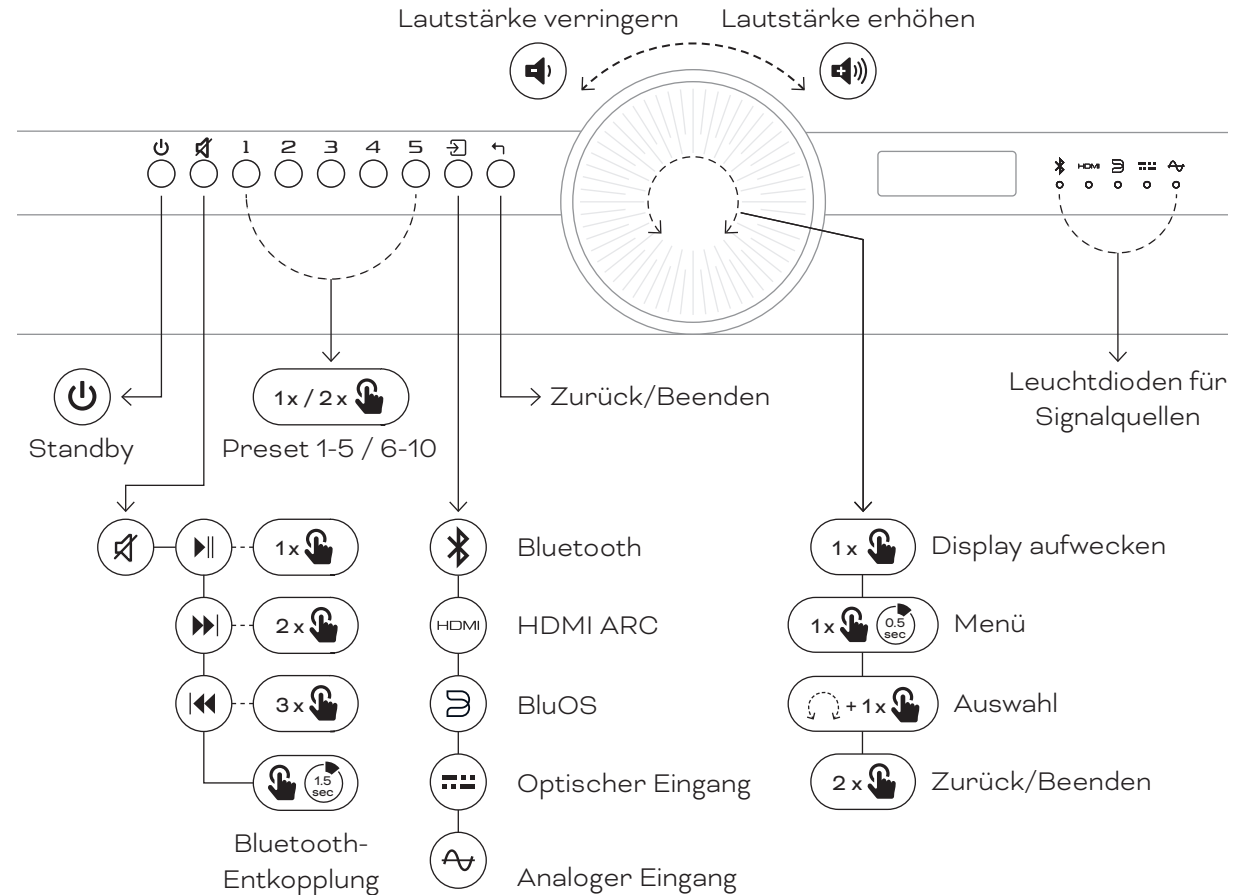
Die Option **BluOS/Wi-Fi** löscht alle gespeicherten BluOS-Presets und setzt die Wi-Fi-Verbindung zurück. Nach dem Ausführen dieser Funktion befindet sich die DALI VEGA wieder im BluOS-Hotspot-Modus und ist bereit für eine neue Wi-Fi-Verbindung.

Mit der Option **All** werden die beiden anderen Reset-Optionen kombiniert ausgeführt.

10. VERWENDUNG IHRER DALI VEGA

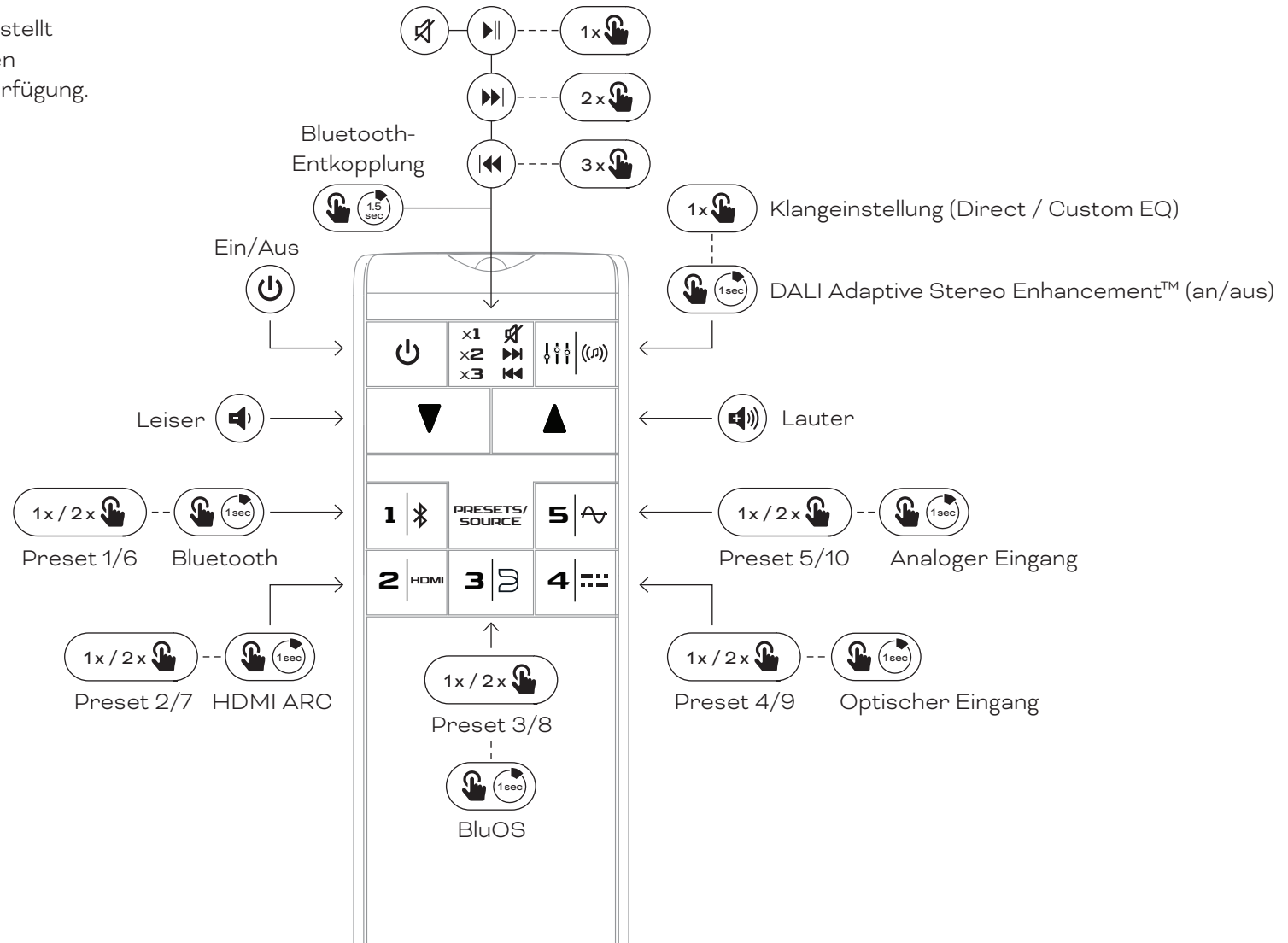
Nachdem Sie Ihre DALI VEGA aufgestellt, angeschlossen und konfiguriert haben, ist es Zeit, Ihre Lieblingsmusik zu genießen.

Um Ihre DALI VEGA zu steuern, können Sie entweder die **Tasten** und den **Lautstärkedrehregler** am Gerät oder die **Fernbedienung** verwenden. Die Fernbedienung und ihre Tasten sind auf der nächsten Seite abgebildet.



10. VERWENDUNG IHRER DALI VEGA

Die Fernbedienung der DALI VEGA stellt Ihnen die am häufigsten verwendeten Funktionen Ihrer DALI VEGA zur Verfügung.



10. VERWENDUNG IHRER DALI VEGA

Tasten und Lautstärkedrehregler der DALI VEGA

Von links nach rechts stellen die Bedienelemente der DALI VEGA die folgenden Funktionen zur Verfügung:

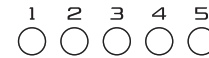
Standby-Taste

Drücken Sie die Standby-Taste, um Ihre DALI VEGA aufzuwecken oder in den Standby-Modus zu versetzen.

! Im Standby-Betrieb beträgt die Leistungsaufnahme der DALI VEGA weniger als 0,5 Watt.

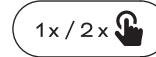
Stummschaltungs-Taste

Drücken Sie die **Stummschaltungs**-Taste, um die Audioausgabe zu unterbinden oder wieder zu aktivieren. Wenn die aktuell gewählte Signalquelle über eine Wiedergabesteuerung verfügt, steuert die **Mute-Taste** deren Funktionen: einmal drücken für **Wiedergabe/Pause**, zweimal für **Wechsel zum nächsten Titel** und dreimal für **Wechsel zum vorherigen Musiktitel**. Drücken und halten Sie die **Stummschaltungs**-Taste, um die Bluetooth-Kopplung aufzuheben.

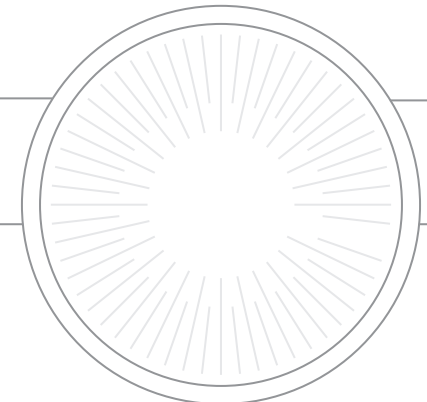
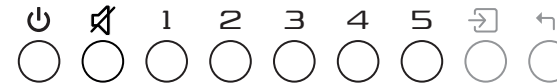


Preset-Tasten 1 bis 10

Mit den **Preset**-Tasten können Sie vorher gespeicherte Elemente wie Radiosender oder Streamingdienste direkt auswählen.








Um eines der Presets von 1 bis 5 zu aktivieren, drücken Sie die entsprechende Taste. Um eines der Presets 6 bis 10 zu aktivieren, drücken Sie eine der fünf Preset-Tasten zweimal.



10. VERWENDUNG IHRER DALI VEGA

↗ **Input-Taste**

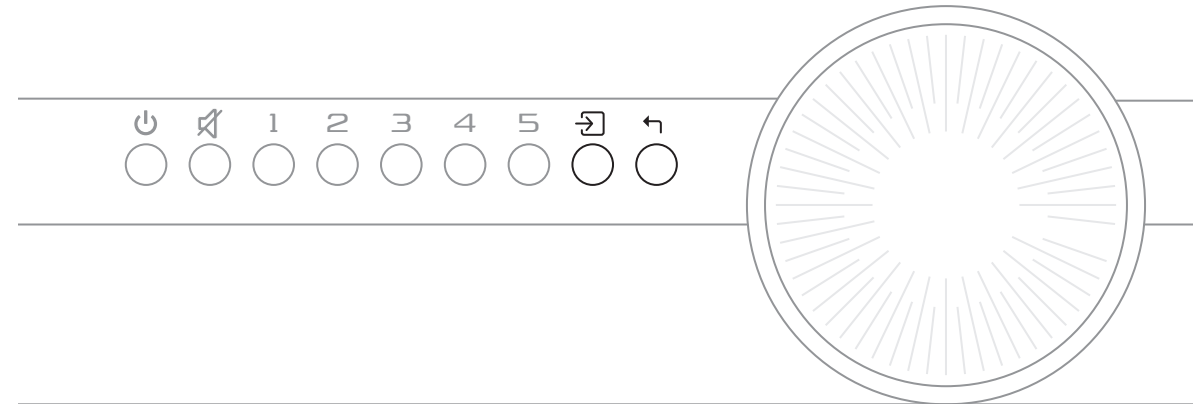
Durch wiederholtes Drücken der **Input**-Taste werden die verfügbaren DALI VEGA-Signaleingänge in der folgenden Reihenfolge durchgeblättert und ausgewählt:

-  Bluetooth
-  HDMI ARC
-  BluOS
-  Optischer Eingang
-  Analoger Eingang

! Der erste Druck auf die Input-Taste zeigt die aktuell ausgewählte Signalquelle. Durch anschließendes wiederholtes Drücken schalten Sie zwischen den Eingängen/Signalquellen um.

↶ **Zurück/Beenden-Taste**

Durch Drücken der Taste **Zurück/Beenden** gelangen Sie durch die Menüebenen zurück zur Hauptanzeige.

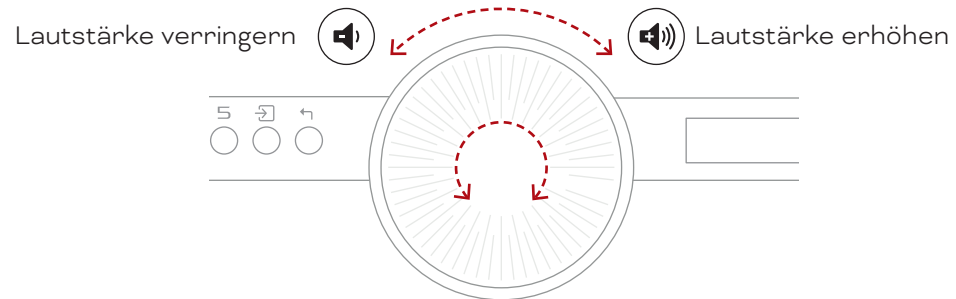


10. VERWENDUNG IHRER DALI VEGA

Lautstärkedrehregler

Wenn Ihre DALI VEGA eingeschaltet ist und sich nicht im Konfigurationsmodus befindet, steuert der

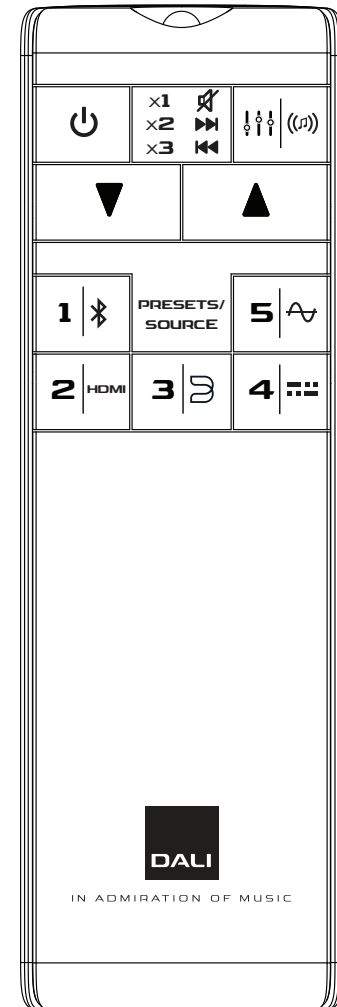
Lautstärkedrehregler die Lautstärke. Drehen Sie ihn im Uhrzeigersinn, um die Lautstärke zu erhöhen, und gegen den Uhrzeigersinn, um die Lautstärke zu verringern.



Infrarot-Fernbedienung

Die Fernbedienung der DALI VEGA stellt Ihnen die am häufigsten verwendeten Funktionen Ihrer DALI VEGA zur Verfügung.

Die Fernbedienung der DALI VEGA und ihre Tasten sind auf Seite 24 abgebildet.



11. BLUETOOTH-VERBINDUNG

11.1. Bluetooth-Kopplung

So verbinden Sie Ihr Bluetooth-Gerät mit der DALI VEGA:

1. Schalten Sie die DALI VEGA ein.
2. Wählen Sie mit der Eingangs-Taste den Bluetooth-Eingang aus.
3. Die DALI VEGA ist nun bereit für die Bluetooth-Kopplung.
 - a. Wenn die Bluetooth-Leuchtdiode blinkt, ist derzeit kein Gerät verbunden.
 - b. Wenn die Bluetooth-Leuchtdiode stetig leuchtet, besteht eine Bluetooth-Verbindung zu einem Gerät. Um die Verbindung zum verbundenen Gerät zu trennen, verwenden Sie die Bluetooth-Freigabefunktion.
 - c. Es kann jeweils nur ein Bluetooth-Gerät verbunden sein.
 - d. Starten Sie die Bluetooth-Kopplung auf Ihrem Gerät. Nachdem die Kopplung abgeschlossen ist, kann Musik von Ihrem per Bluetooth verbundenen Gerät wiedergegeben werden.

Die DALI VEGA verbindet sich bei der Auswahl von Bluetooth automatisch mit dem zuletzt verwendeten Gerät, wenn ein Gerät zuvor mit dem DALI VEGA gekoppelt wurde und sich in Reichweite befindet.

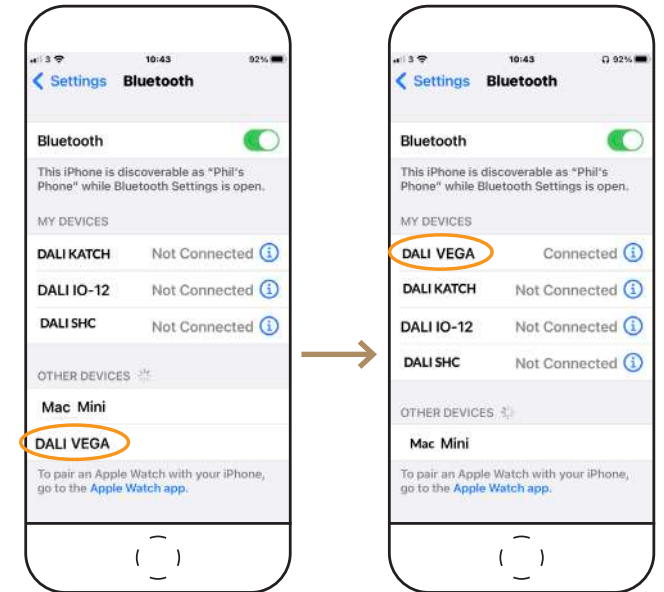
Die DALI VEGA löst die Wiedergabe von Musik nicht automatisch aus. Die Wiedergabe muss entweder am verbundenen Gerät oder durch kurzes Drücken der Stummschaltungs-Taste an der DALI VEGA (oder auf der Fernbedienung) gestartet werden.

11.2. Bluetooth-Entkopplung

Wenn Sie Ihr Gerät nicht mit der DALI VEGA koppeln können:

1. Halten Sie die Bluetooth-Freigabetaste (Stummschaltungs-Taste) gedrückt, bis der Bluetooth-Freigabeton ertönt und die Bluetooth-LED (Leuchtdiode 1) zu blinken beginnt.
2. Das verbundene Gerät ist nun freigegeben, und Sie können die Kopplung erneut starten.
3. Die Bluetooth-Freigabe kann auch im Menüsystem unter **Input settings** -> **Bluetooth** erfolgen.

! Es können bis zu 8 Bluetooth®-Geräte mit der DALI VEGA gekoppelt werden.



! Wenn Sie den Namen der DALI VEGA in der BluOS App ändern, ändert sich auch der Bluetooth®-Name entsprechend.

12. PRODUKTPFLEGE UND TECHNISCHE UNTERSTÜTZUNG

Zur Pflege Ihrer DALI VEGA ist keine andere Behandlung erforderlich als für andere hochwertige Geräte und Gegenstände in Ihrer Wohnung. Verwenden Sie zur Reinigung des Gehäuses einfach ein weiches, trockenes Tuch.

DALI rät von der Verwendung von Reinigungsflüssigkeiten oder -sprays ab.

13. BLUOS-FEHLERBEHEBUNG

Die mehrfarbige Leuchtanzeige neben dem BluOS-Logo zeigt den BluOS-Status des DALI VEGA an:

	Leuchtdioden-Code	Beschreibung
	Dauerhaft rot, dann grün blinkend	Einschalten/Neustart des Geräts
	Stetig grün	Hotspot-Modus
	Grün blinkend	Verbindung zum Netzwerk wird hergestellt
	Weiß pulsierend	Neue Softwareversion verfügbar
	Stetig rot	Upgrade-Modus
	Abwechselnd rot und grün blinkend	Aktualisierung
	Blau blinkend	Stumm-Modus
	Stetig weiß	Indizierung
	Stetig blau	Mit dem Netzwerk verbunden – bereit für die Verwendung mit der BluOS-App
	Rot blinkend	Werksreset läuft
	Stetig lila	Zeitüberschreitung im Hotspot-Modus

Weitere Informationen finden sie auf der Bluesound-Supportseite:

 [Bluesound Support-Seite](#)

14. FIRMWARE-AKTUALISIERUNG

Über die BluOS App wird gegebenenfalls eine aktualisierte Firmware für Ihre DALI VEGA zur Verfügung gestellt. Neue Firmware-Versionen können die Wiedergabequalität und Zuverlässigkeit verbessern oder neue Funktionen umfassen.



15. LEISTUNGS-AUFNAHME

Offline-Modus

Drücken Sie die Standby-Taste und halten Sie sie 5 Sekunden lang gedrückt. Dadurch werden alle Verbindungen deaktiviert und der Stromverbrauch auf ein Minimum reduziert, bis Sie Ihre VEGA durch erneutes Drücken der Standby-Taste wieder aktivieren.

Vernetzter Standby-Modus

Der vernetzte Standby-Modus wird automatisch aktiviert, wenn 20 Minuten lang keine Audiosignale ausgegeben werden und keine Eingaben am Gerät vorgenommen werden. In diesem Modus wird die VEGA durch jede Benutzeraktion – beispielsweise die Musikwiedergabe von einer angeschlossenen Signalquelle – automatisch aufgeweckt.

Deaktivierung von Wi-Fi

Die kabellosen Netzwerkfunktionen werden automatisch deaktiviert, wenn Sie ein Ethernet-Kabel an die VEGA anschließen.

Modus	Leistungs-aufnahme	Aktivierung	Deaktivierung
Aktiv (keine Audiowiedergabe)	9,2 W	(Siehe „Vernetzter Standby-Modus“)	(Siehe „Vernetzter Standby-Modus“)
Vernetzter Standby (HiNA)	2,9 W	Automatisch nach 20 Minuten ohne Audiowiedergabe und Benutzereingaben	Jede Benutzeraktion, auch Starten der Musikwiedergabe an einem Gerät
Offline	< 0,7 W	Manuell durch Gedrückthalten der Standby-Taste	Manuell, durch Drücken der Standby-Taste

16. DALI VEGA - TECHNISCHE DATEN

DALI VEGA	
Frequenzbereich	32 bis 22.700 Hz, ±3 dB
Maximaler Schalldruck @ 1 m	110 dB
Übergangsfrequenz	2.400 Hz
Frequenzweichtyp	2-Wege, 8-Kanal-Aktivweiche
Hochtöner	4 × 25 mm Gewebekalotte
Hochtöner-Diaphragma	Weiches Gewebe
Tief- und Mitteltöner-Chassis	4 × 4½ Zoll
Tief-/Mitteltönermembran	Papier-Holzfasermembran
Gehäusetyp	Abgestimmtes Massengehäuse 2 × Rechteckige Passivstrahler (3 × 6 Zoll)
Abstimmfrequenz des Passivstrahlers	32 Hz
Verstärkertyp	Class D Bridge-Tied Load (BTL)
Kontinuierliche Verstärkerausgangsleistung	8 × 50 W RMS
Gesamtausgangsleistung des Verstärkers	400 W
Eingangsanschlüsse	1 × HDMI (ARC) 1 × Analogeingang (Cinch unsymmetrisch, Stereo) 1 × Optischer Eingang (Toslink, Stereo) 1 × USB Audio/Service (für Festplatte oder USB-Laufwerk)
Ausgangsanschlüsse	Subwoofer-Ausgang USB-Stromversorgung (5 V / 1 A)
Tiefpassfilter Subwoofer-Ausgang	120 Hz
Digitale Eingangsformate	PCM, Stereo

DALI VEGA	
Kabellose Eingänge	Bluetooth BluOS Spotify Connect Tidal Connect Apple AirPlay 2
Bluetooth-Eingangscodex	AAC aptX aptX HD
BluOS-Eingangscodex	MP3 AAC (M4A, MP4) WMA OGG FLAC ALAC (M4A) WMA-L MQA WAV AIFF (AIF, AIFC) PCM DSD256 (Umwandlung von DSD in PCM)
Unterstützte Audio-Eingangsformate	16 bis 24 Bit Audio 32 / 44,1 / 48 / 96 / 192 kHz Abtastrate
Empfohlene Platzierung	Aufstellung: Frei Aufstellung: In der Nähe einer Wand Aufstellung: In der Nähe einer Raumecke Wandmontage: Querformat Wandmontage: Hochformat

Fortsetzung auf der nächsten Seite

16. DALI VEGA - TECHNISCHE DATEN

DALI VEGA

Funktionen	Adaptive Orientation Adjustment (Adaptive Orientierungsanpassung) Adaptive Stereo Enhancement (Adaptive Stereo-Optimierung) Bis zu 40 programmierbare Voreinstellungen Klangeinstellung (Direct / Custom EQ) Menü „Rear wall distance“ (Abstand zur Rückwand) Bluetooth-Freigabe/Entkopplung HDMI-Audio-Verzögerung Erkennung optisches Signal/Träger Menü „Input sense“ (Einstellungen für Eingänge) Menü „LED setting“ (LED-Einstellungen) Zurücksetzen auf Werkseinstellungen Stand-by (Auto Power) Stummschaltung Ein-/Aus-Schalter Lautstärkeregelung Quellenauswahl
Maximaler Stromverbrauch	250 W
Stromverbrauch im Standby	≤ 3 W
Abmessungen (H × B × T)	143 x 683 x 243 mm 5,63 x 26,90 x 9,57 Zoll
Versandabmessungen (H × B × T)	330 x 870 x 200 mm 13,0 x 34,25 x 7,87 Zoll
Gewicht	8,7 kg 19,18 lb
Versandgewicht	13,3 kg 29,32 lb
Ausführungen	Dark Oak Natural Oak

DALI VEGA

Im Lieferumfang enthaltenes Zubehör	1 × Fernbedienung 2 × AAA-Batterien (für die Fernbedienung) 2 × Wandhalterungen (für Wandmontage) 2 × Wandhalterungen (VEGA) 2 × Schrauben für VEGA-Wandhalterungen 1 × M6-Inbusschlüssel 1 × Kabelhalter 1 × Netzkabel 1 × Produktregistrierungskarte 1 × Kurzanleitung 2 × Wandmontageschablonen 1 × Sicherheitshinweise
-------------------------------------	---

Alle technischen Spezifikationen können ohne vorherige Ankündigung geändert werden.

Rechtliche Hinweise

Die folgenden Begriffe sind Marken oder eingetragene Marken der jeweiligen Eigentümer:

Bluetooth®	Bluetooth SIG, Inc.
BluOS™	Bluesound International, a division of Lenbrook Industries Limited
HDMI®	HDMI Licensing Administrator, Inc.
Wi-Fi®	Wi-Fi Alliance

DALI VEGA

MANUEL

VERSION 1.0 MARS 2026

FRANÇAISE



DALI



CONTENU

1.	Introduction	72
2.	Contenu de l'emballage	73
3.	Déballage	74
4.	Connexion Wi-Fi et configuration BluOS.....	75
5.	Positionnement de votre DALI VEGA	76
6.	Gestion des câbles	78
7.	Montage mural de votre DALI VEGA.....	79
8.	Connexions filaires.....	84
9.	Configuration du DALI VEGA	87
10.	Utilisation de votre DALI VEGA.....	93
11.	Connexion Bluetooth	98
12.	Entretien et assistance	99
13.	Guide de dépannage BluOS.....	99
14.	Mises à jour du firmware.....	100
15.	Consommation électrique	101
16.	Spécifications du DALI VEGA.....	102

1. INTRODUCTION

Félicitations pour votre nouveau DALI VEGA. Système audio tout-en-un de pointe dans un boîtier élégant, le DALI VEGA est conçu pour devenir la référence en matière de performances musicales chez vous. Le DALI VEGA réunit une qualité sonore exceptionnelle, une grande polyvalence, une utilisation intuitive et un design danois exclusif et raffiné.

Ce manuel d'utilisation décrit la configuration et le fonctionnement du DALI VEGA.

Nous vous conseillons de le lire avant de commencer à configurer et à utiliser votre DALI VEGA.

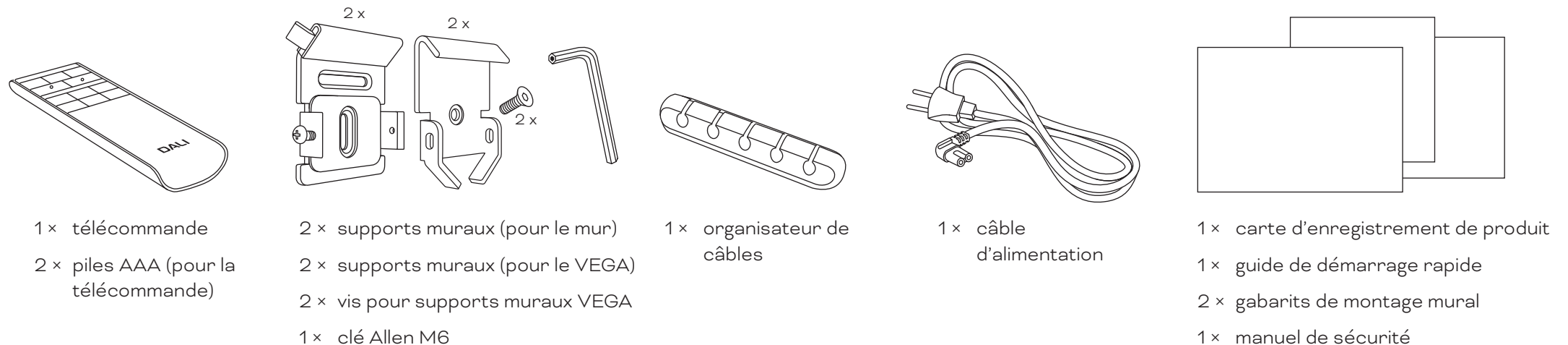
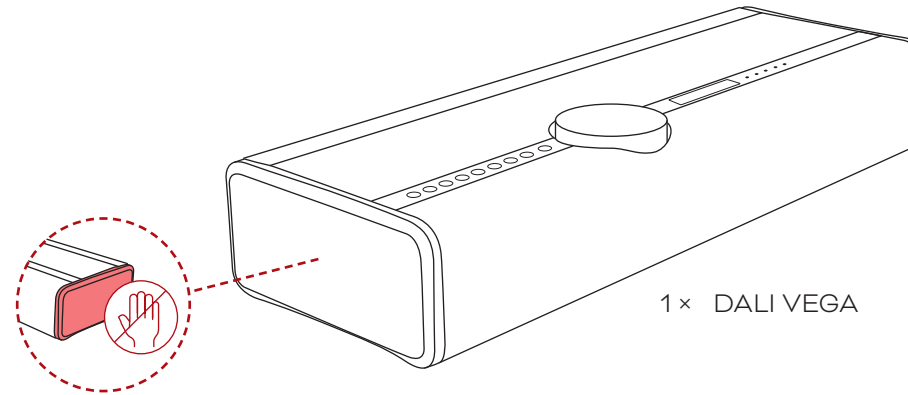
Il commence par une description du contenu de l'emballage, puis couvre le positionnement, les connexions, la configuration et l'utilisation quotidienne du DALI VEGA.



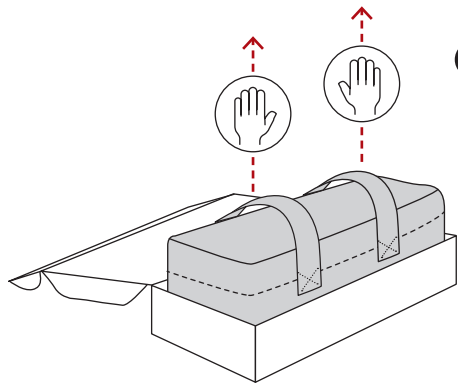
2. CONTENU DE L'EMBALLAGE

Le contenu de l'emballage du DALI VEGA est illustré ci-dessous.

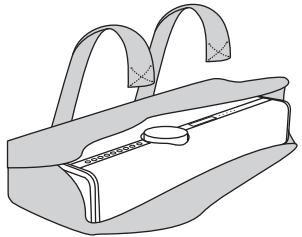
! Évitez de toucher les haut-parleurs à radiateur passif aux deux extrémités du DALI VEGA.



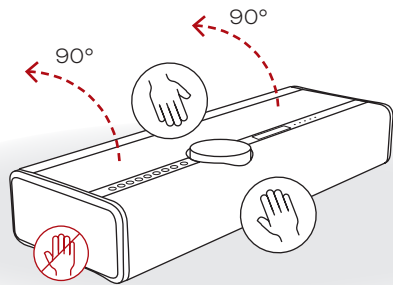
3. DÉBALLAGE



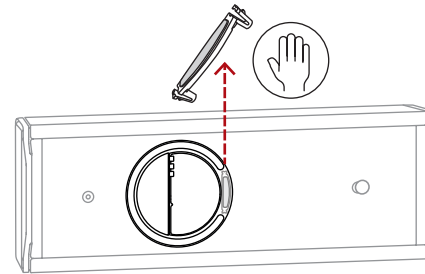
- 1** Ouvrez le couvercle de l'emballage et utilisez les deux sangles pour soulever le VEGA et le sortir du carton.



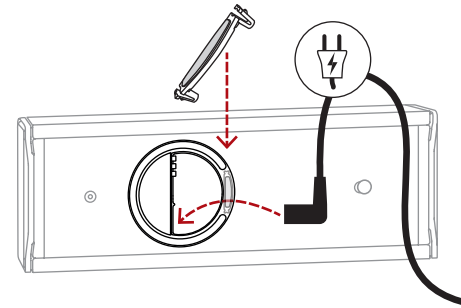
- 2** Détachez les sangles Velcro et retirez la housse.



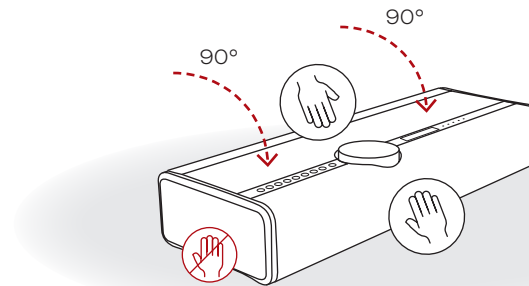
- 3** Inclinez le VEGA à 90 degrés vers l'arrière. Ouvrez le clip de maintien de câbles et retirez-le.



- 4** Branchez le câble d'alimentation et tous les câbles supplémentaires.



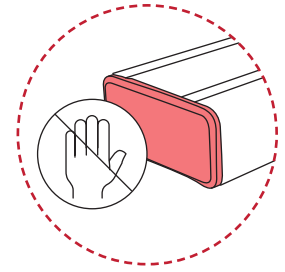
- 5** Fixez le clip de maintien de câbles, puis remettez le VEGA à l'endroit.



- 6** Le VEGA est maintenant prêt pour la connexion Wi-Fi.

! IMPORTANT !

Lors du déballage, veillez à ne pas toucher les radiateurs passifs.



4. CONNEXION WI-FI ET CONFIGURATION BLUOS

1 Allumez votre DALI VEGA

Attendez que le voyant LED BluOS s'allume en vert, indiquant que le mode « Point d'accès » est activé.

2 Téléchargez l'application BluOS

À l'aide de votre smartphone ou de votre tablette, téléchargez et ouvrez l'application BluOS.



3 Ajoutez votre DALI VEGA à votre réseau

L'assistant « Ajouter un lecteur » vous guidera à travers les étapes nécessaires à la configuration BluOS.



Rendez-vous sur bluesound.com/downloads pour télécharger l'application

La configuration initiale du réseau s'effectue à l'aide de l'application BluOS sur votre smartphone ou tablette. Assurez-vous que l'application est téléchargée et installée et que votre smartphone ou votre tablette se trouve à proximité lorsque vous commencez.

! Si vous utilisez un appareil iOS, le DALI VEGA peut également être connecté à votre réseau Wi-Fi à l'aide de l'option « Configurer une nouvelle enceinte AirPlay » dans les réglages Wi-Fi de votre appareil iOS.



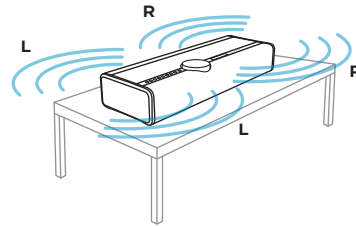
! Si la prise LAN (réseau) de votre DALI VEGA est connectée à un routeur domestique ou à un commutateur réseau, aucune connexion Wi-Fi n'est nécessaire. Votre DALI VEGA apparaît dans l'application BluOS Controller où il peut être configuré.

→ [Page d'assistance Bluesound](#)

5. POSITIONNEMENT DE VOTRE DALI VEGA

Le DALI VEGA offre une excellente polyvalence, ce qui permet de l'installer dans de nombreux endroits de la maison. Il est possible de le placer sur une table, un meuble, une étagère ou un rebord de fenêtre, par exemple. Le DALI VEGA peut également être monté au mur en orientation horizontale ou verticale à l'aide du support mural DALI VEGA disponible en option. Les seules exigences pour le positionnement de votre DALI VEGA sont l'accès à une alimentation secteur et à un routeur ou commutateur réseau, si vous préférez une connexion réseau filaire.

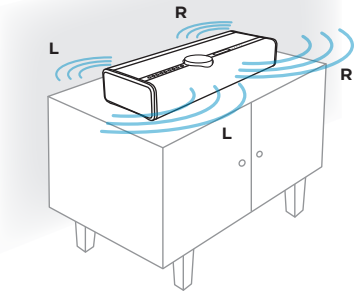
Selon l'orientation de votre DALI VEGA (posé, à l'horizontale ou à la verticale), il adaptera automatiquement le routage stéréo vers ses haut-parleurs avant et arrière, selon le cas. L'orientation de son affichage pivotera également automatiquement.



1 Posé : emplacement libre

Le DALI VEGA diffuse le son dans les deux sens : vers l'avant et vers l'arrière.

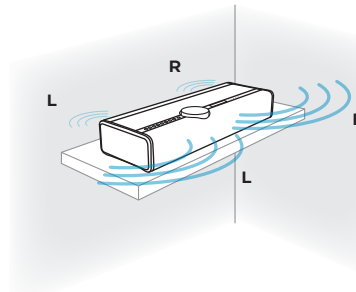
Distance recommandée par rapport au mur arrière : **Free**.



2 Posé : près du mur

DALI VEGA diffuse davantage le son vers l'avant que vers l'arrière.

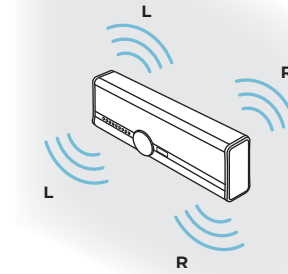
Distance recommandée par rapport au mur arrière : **Medium**.



3 Posé : à proximité d'un coin/mur

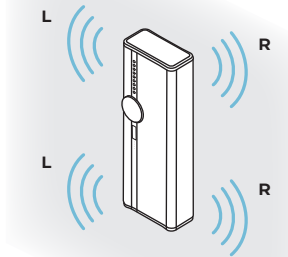
Dans ce mode, le DALI VEGA diffuse encore moins le son vers l'arrière.

Distance recommandée par rapport au mur arrière : **Short**.



4 Sur le mur : à l'horizontale

Le DALI VEGA diffuse le son dans les deux sens. La distance par rapport au mur arrière est définie automatiquement.



5 Sur le mur : à la verticale

Le DALI VEGA diffuse le son dans les deux sens. Les haut-parleurs avant jouent le canal gauche et les haut-parleurs arrière jouent le canal droit. La distance par rapport au mur arrière est définie automatiquement.

5. POSITIONNEMENT DE VOTRE DALI VEGA

Adaptive Orientation Adjustment (Réglage adaptatif de l'orientation)

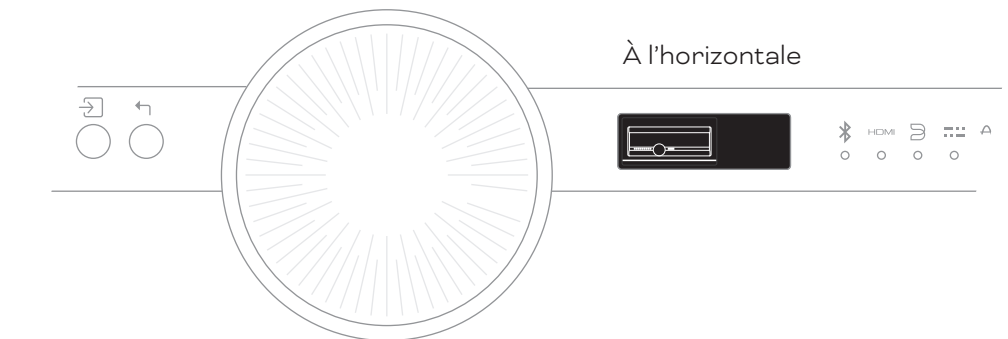
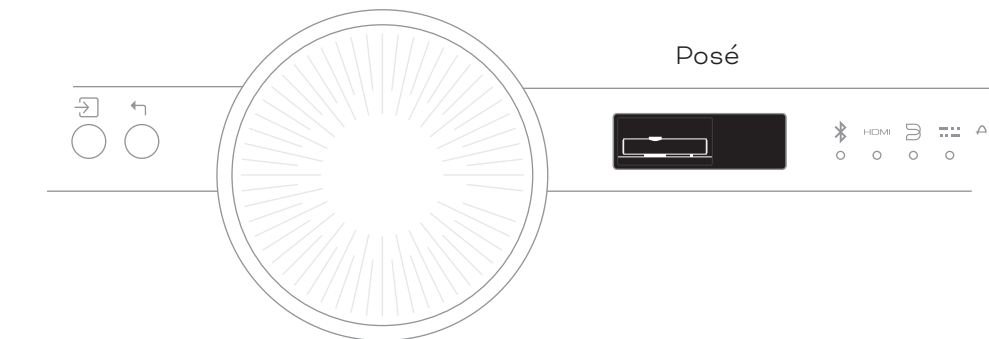
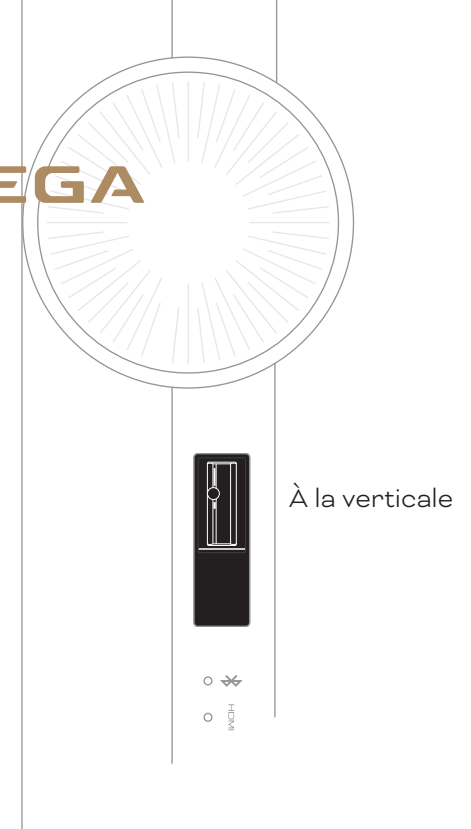
Le DALI VEGA est conçu avec une technologie avancée Adaptive Orientation Adjustment, développée en interne par les ingénieurs de DALI. L'Adaptive Orientation Adjustment permet une intégration transparente de votre DALI VEGA dans n'importe quel espace de vie, quelle que soit la façon dont vous le placez ou le montez.

Équipé d'un capteur d'orientation, le VEGA détecte intelligemment l'orientation de son montage, qu'il soit posé sur une étagère ou une table, ou fixé au mur en orientation horizontale ou verticale. De plus, il reconfigure automatiquement le mappage des canaux stéréo pour garantir une fidélité audio

optimale. Ce réglage en temps réel améliore la précision spatiale et l'image stéréo, offrant une expérience d'écoute immersive régulière, quel que soit l'emplacement choisi.

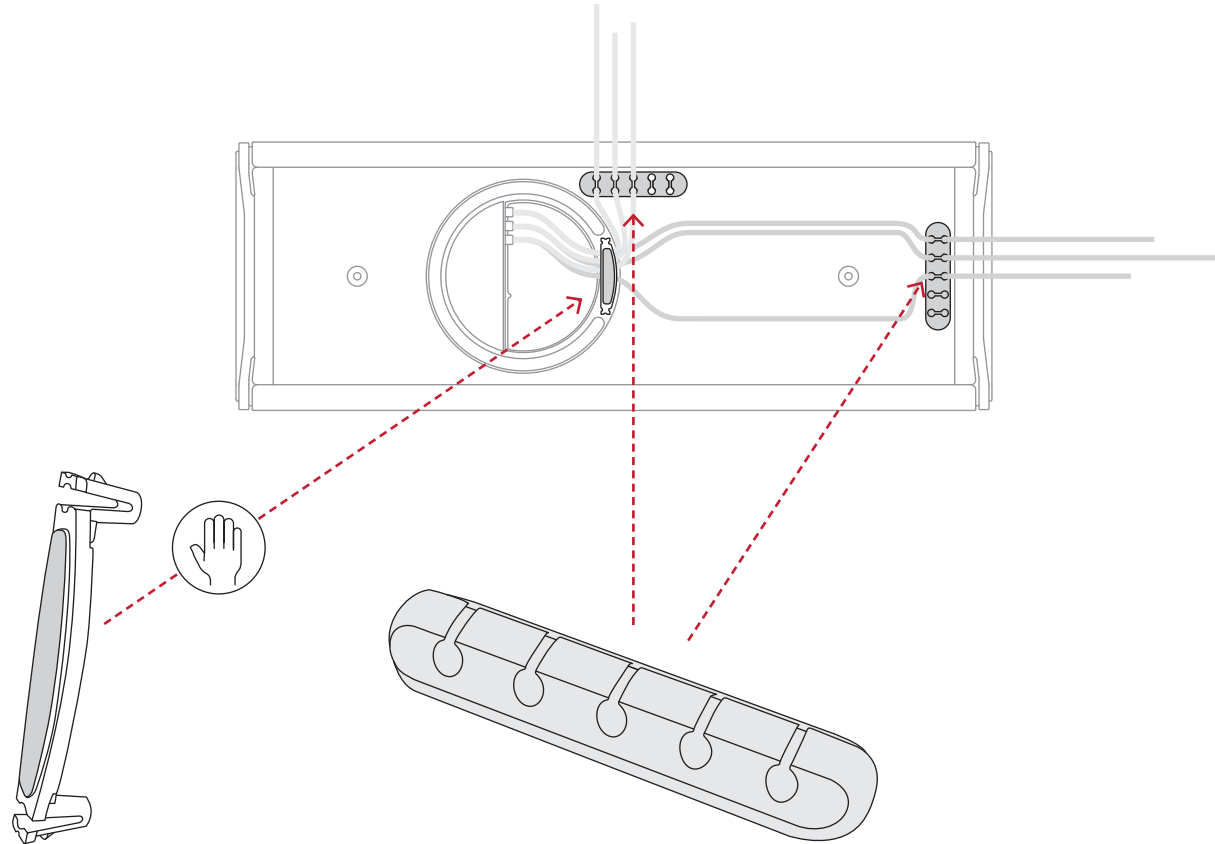
L'Adaptive Orientation Adjustment est un élément clé de la philosophie de conception du VEGA qui tient compte de son environnement. Cette technologie lui permet de s'adapter aux préférences acoustiques de l'utilisateur et de rendre la musique plus claire et précise.

Lorsque vous placez votre VEGA dans l'orientation souhaitée, l'écran du VEGA indiquera que le mode Adaptive Orientation Adjustment est activé en affichant l'un des trois logos.



6. GESTION DES CÂBLES

À l'arrière du VEGA, vous trouverez un clip de maintien de câbles, dont les extrémités peuvent être ouvertes à l'aide de vos doigts. Associé à l'organisateur de câbles fourni, cet élément permet une gestion facile des câbles peu importe l'orientation ou l'emplacement choisi.



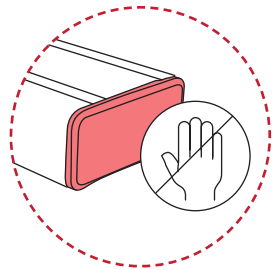
7. MONTAGE MURAL DE VOTRE DALI VEGA

Pour monter le DALI VEGA au mur en orientation horizontale ou verticale, utilisez les quatre supports muraux inclus.

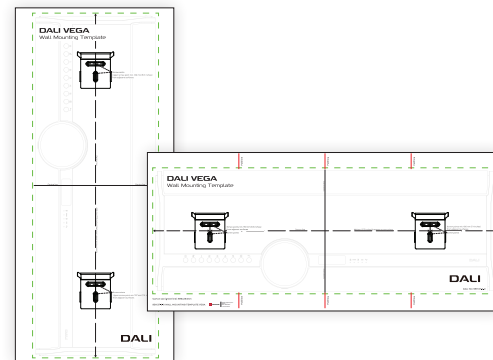
Deux des supports muraux sont fixés à l'arrière du DALI VEGA à l'aide des vis de support mural fournies, en utilisant la clé Allen M6.

Les deux autres sont montés au mur avec quatre vis appropriées (non incluses).

Suivez les étapes sur les pages suivantes.

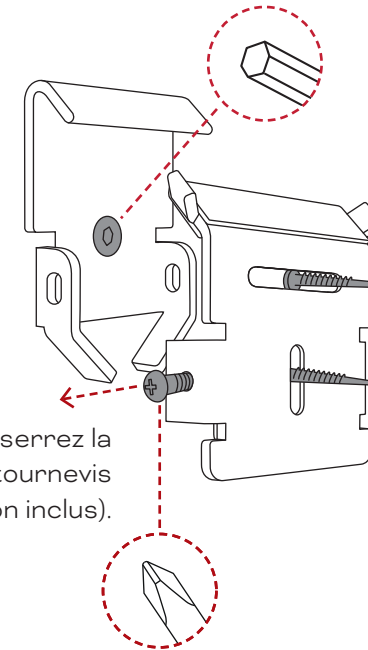


- ! Lors du montage, veillez à ne pas toucher les radiateurs passifs.



Chaque support du DALI VEGA est monté avec une vis de support (incluse). Utilisez une clé Allen M6 et fixez solidement les supports.

Avant de monter l'enceinte, desserrez la ou les vis de sécurité à l'aide d'un tournevis cruciforme (non inclus).



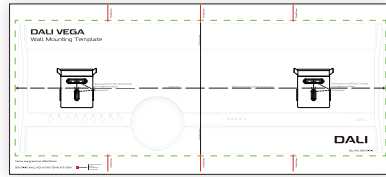
Les supports muraux sont montés avec deux vis adaptées au type de mur (non incluses).

- ! Utilisez les **gabarits de montage mural** inclus pour déterminer facilement l'emplacement de montage de vos supports muraux.

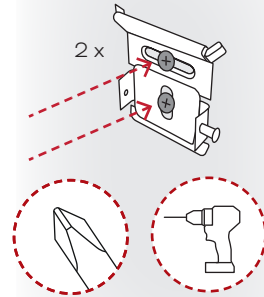
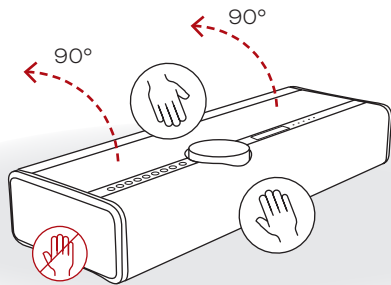
Deux **gabarits de montage mural** sont inclus : un pour l'orientation horizontale et un autre pour l'orientation verticale.

7. MONTAGE MURAL DE VOTRE DALI VEGA

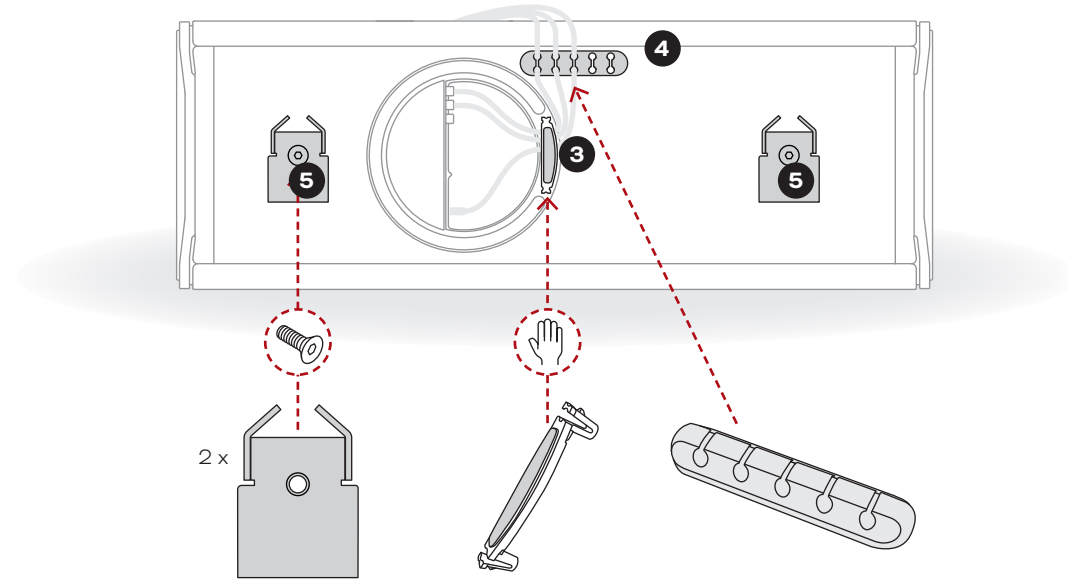
Orientation horizontale (1/2)



- 1 Utilisez le gabarit de montage mural horizontal inclus pour marquer 2 x 2 trous de perçage, puis montez les deux supports muraux au mur.
- 2 Inclinez le VEGA à 90 degrés vers l'arrière.



! Ne posez PAS le VEGA sur la face avant ou supérieure, car cela pourrait rayer accidentellement la molette de volume.

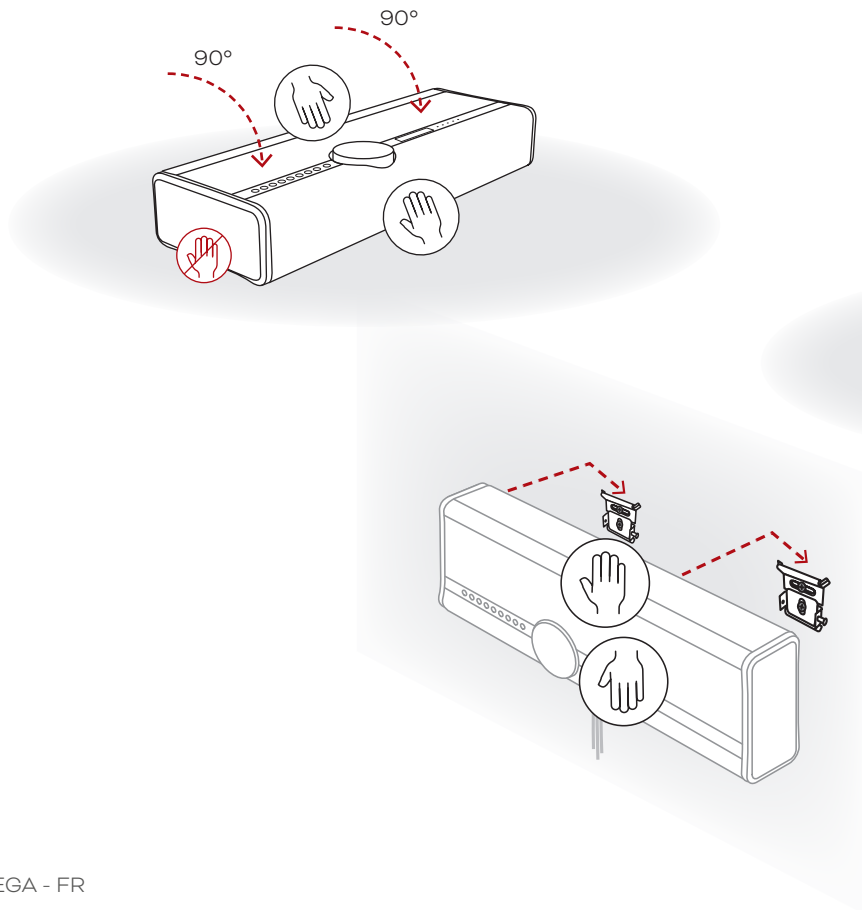


- 3 Montez les supports muraux VEGA pour une orientation horizontale.
- 4 Placez l'organisateur de câbles autocollant et faites passer les câbles à travers.
- 5 Retirez le clip de maintien de câbles, connectez vos câbles et remettez le clip en place.

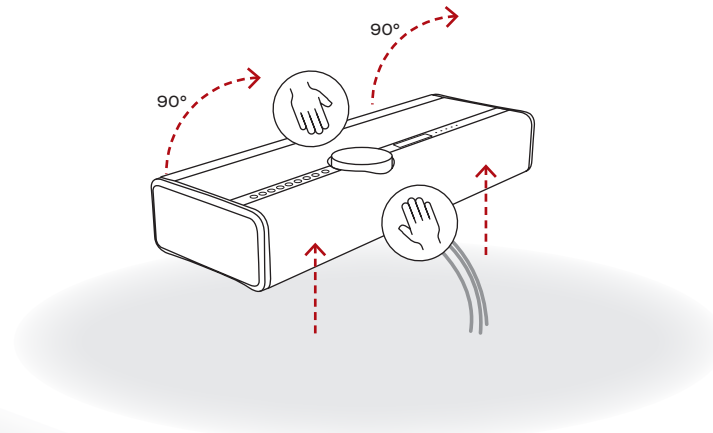
7. MONTAGE MURAL DE VOTRE DALI VEGA

Orientation horizontale (2/2)

6 Remettez le VEGA à l'endroit.

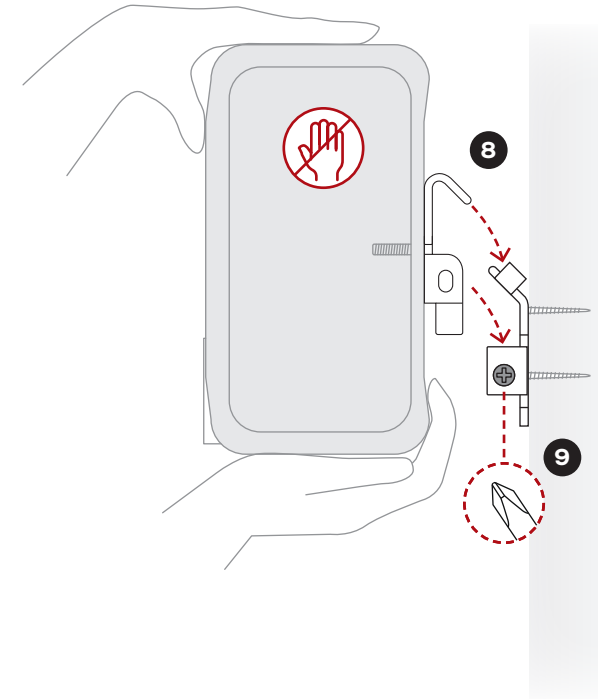


7 Soulevez le VEGA et orientez sa face inférieure (et ses supports muraux) vers le mur.



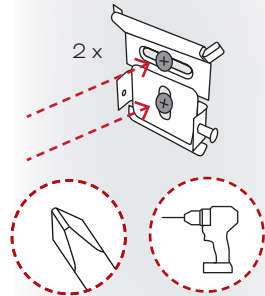
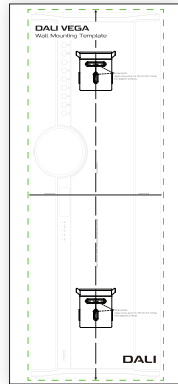
8 Mettez-le en place avec précaution et fixez-le aux supports.

9 Serrez les vis de sécurité à l'aide d'un tournevis cruciforme.



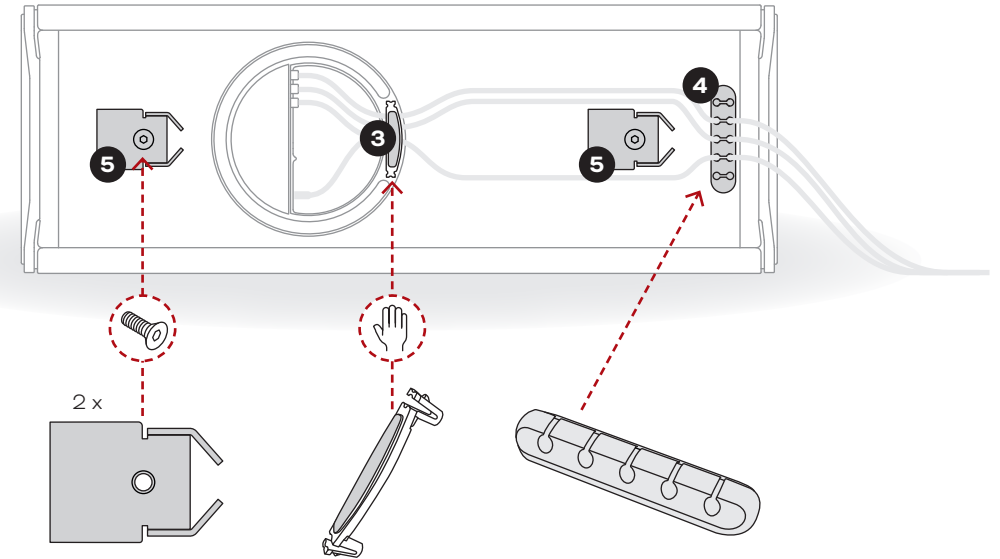
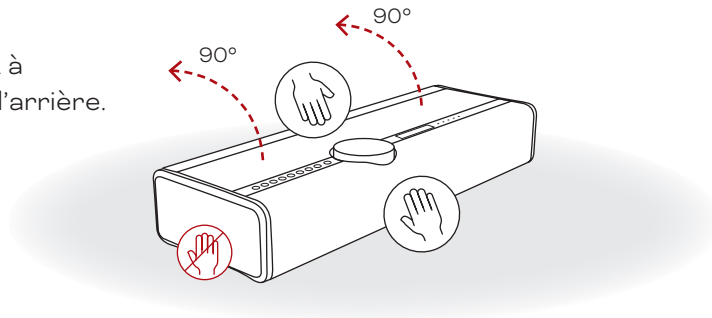
7. MONTAGE MURAL DE VOTRE DALI VEGA

Orientation verticale (1/2)



- 1 Utilisez le gabarit de montage mural vertical inclus pour marquer 2 x 2 trous de perçage, puis montez les deux supports muraux au mur.

- 2 Inclinez le VEGA à 90 degrés vers l'arrière.

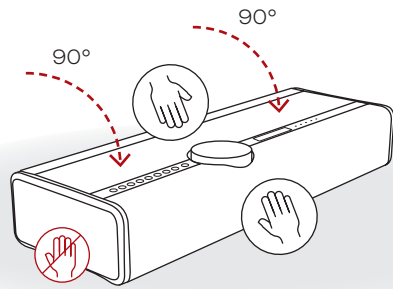


- 3 Retirez le clip de maintien de câbles, connectez vos câbles et remettez le clip en place.
- 4 Placez l'organisateur de câbles autocollant et faites passer les câbles à travers.
- 5 Montez les supports muraux VEGA pour une orientation verticale.

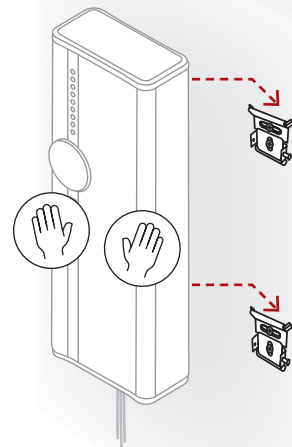
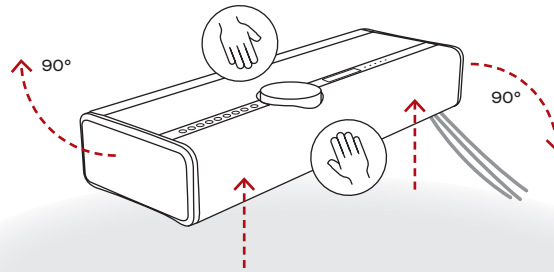
7. MONTAGE MURAL DE VOTRE DALI VEGA

Orientation verticale (2/2)

6 Remettez le VEGA à l'endroit.

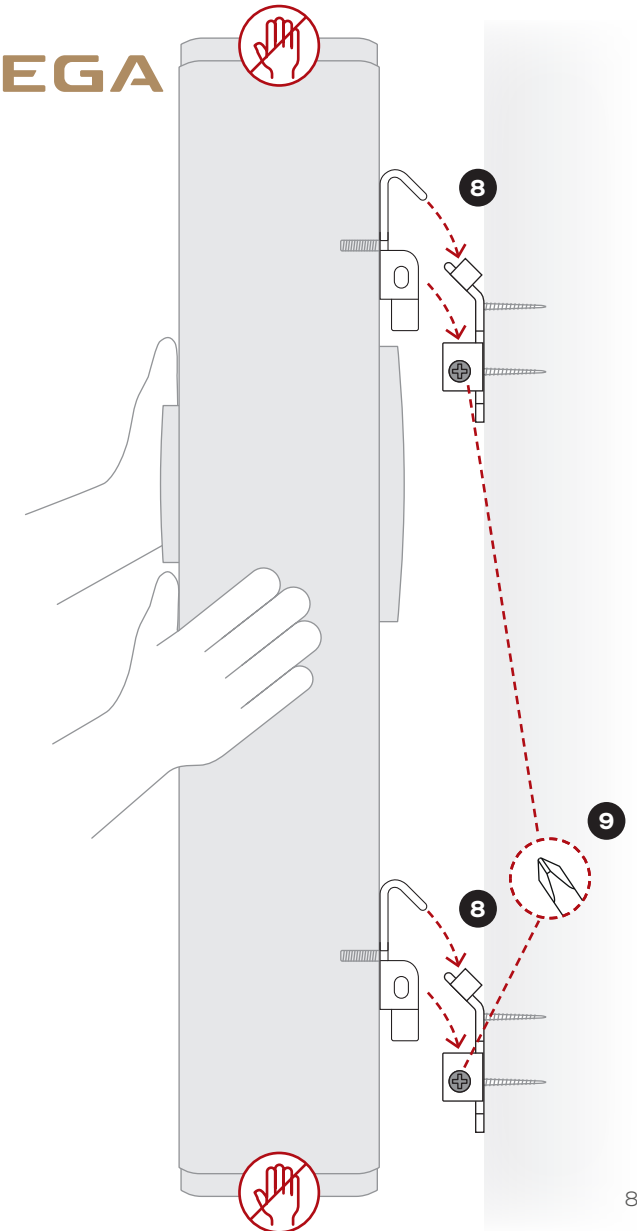


7 Soulevez le VEGA, orientez sa face inférieure (et ses supports muraux) vers le mur et faites-le pivoter dans le sens des aiguilles d'une montre pour le placer en orientation verticale.



8 Mettez-le en place avec précaution et fixez-le aux supports.

9 Serrez les vis de sécurité à l'aide d'un tournevis cruciforme.



8. CONNEXIONS FILAIRES

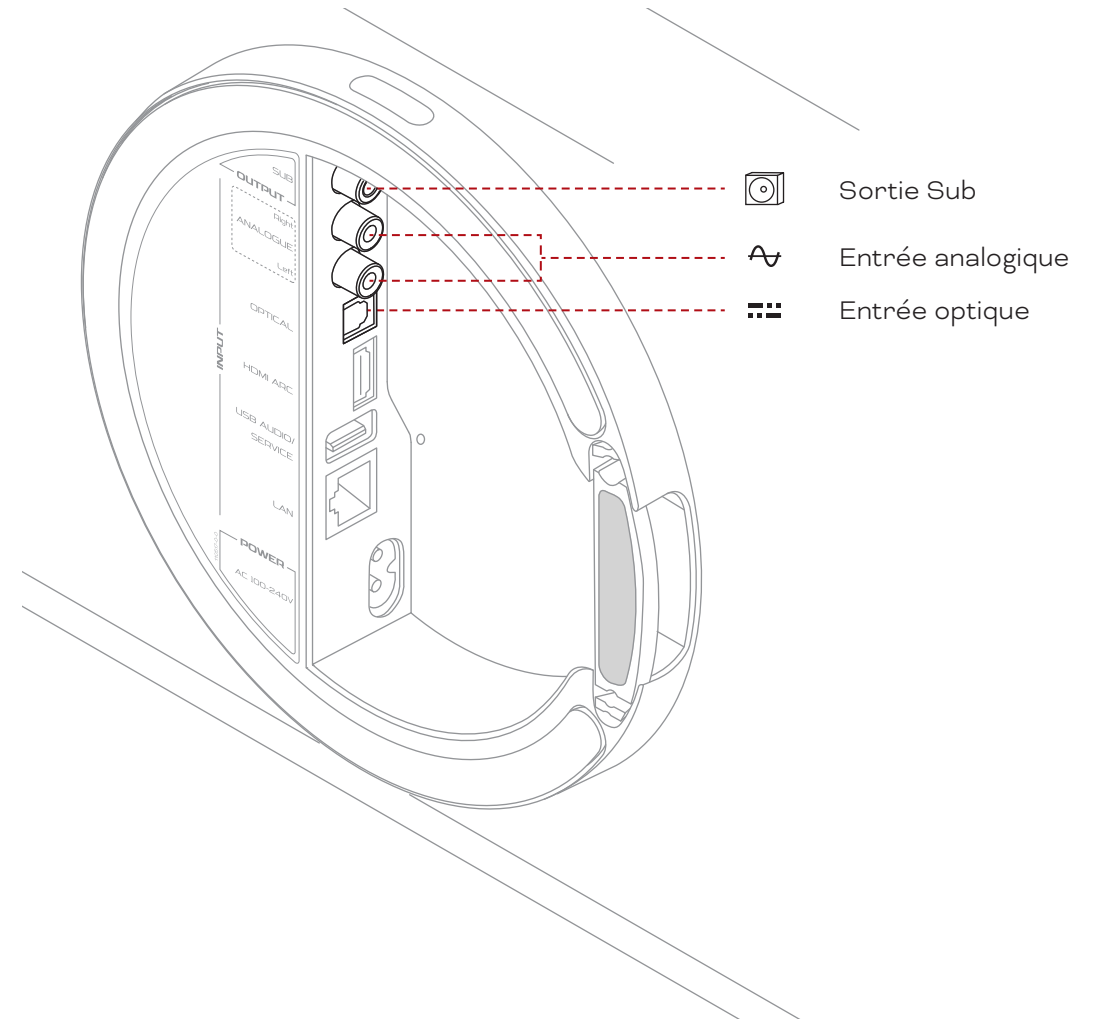
Le DALI VEGA offre une grande variété d'options de connexion pour s'intégrer à votre système audio domestique.

Les prises de connexion filaire sont situées dans le panneau de connexion et incluent les options suivantes :

Sortie caisson de basse : Une seule prise RCA Phono vous permet de connecter un caisson de basse externe pour améliorer les performances des basses de votre DALI VEGA. La sortie du caisson de basse est mono et avec un filtre passe-bas réglé sur 120 Hz.

Entrée analogique : Une paire de prises RCA Phono stéréo permet de connecter une source audio externe avec des sorties de niveau ligne. Il peut s'agir d'un lecteur CD ou d'une platine vinyle avec préampli RIAA intégré, par exemple.

Entrée optique : Une prise audio numérique optique TOSLINK permet de connecter une source audio externe avec une sortie numérique optique. Il peut s'agir d'un téléviseur ou d'un lecteur CD, par exemple.



8. CONNEXIONS FILAIRES

HDMI ARC : Si vous possédez un téléviseur équipé d'un connecteur HDMI ARC (Audio Return Channel), connectez-le au connecteur HDMI ARC de votre DALI VEGA. Vous devrez peut-être également sélectionner des enceintes externes pour la lecture audio et activer CEC (Consumer Electronics Control) dans les paramètres de votre téléviseur. Le format de sortie audio du téléviseur doit être réglé sur PCM ou stéréo.

Grâce à HDMI et CEC, vous pouvez utiliser la télécommande de votre téléviseur pour contrôler les fonctions de volume, de mute et de veille de votre DALI VEGA.

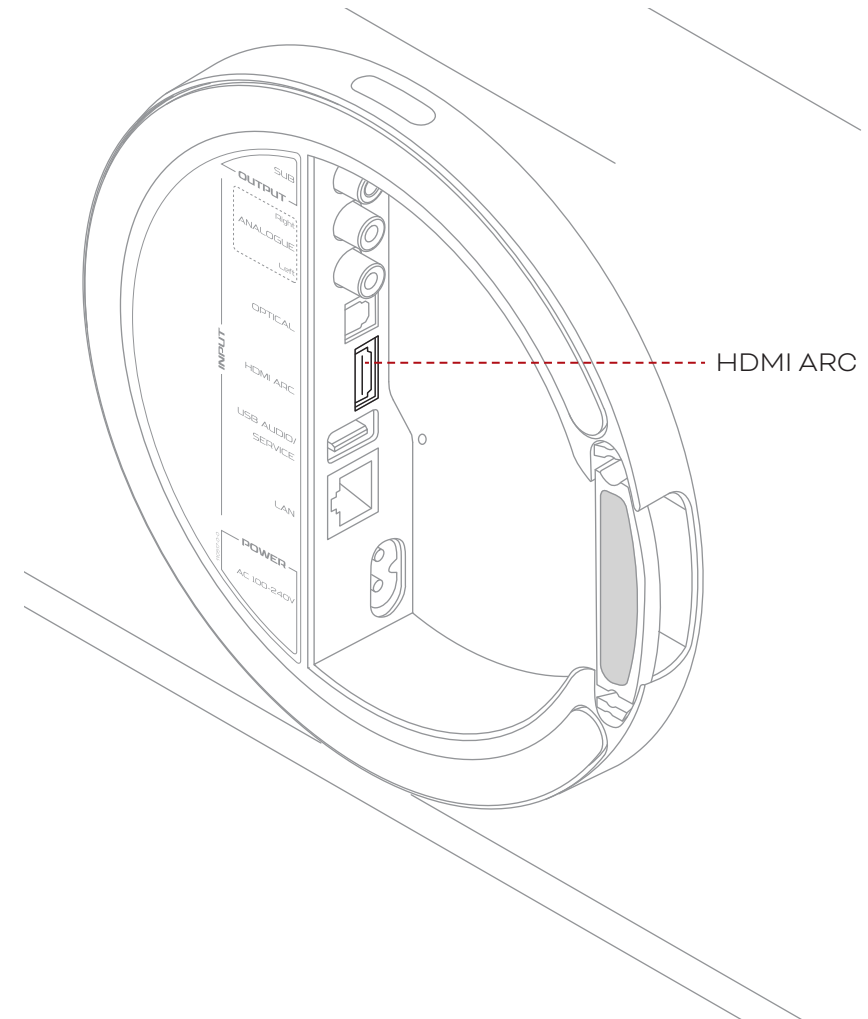
! Si votre téléviseur n'est pas équipé HDMI ARC ou si vous rencontrez des problèmes de compatibilité HDMI, DALI recommande d'utiliser une connexion optique entre la sortie audio optique du téléviseur et votre DALI VEGA.

Dans ce cas, vous pouvez toujours utiliser la connexion HDMI pour contrôler le DALI VEGA via CEC à l'aide de la télécommande de votre téléviseur.

Pour utiliser la télécommande de votre téléviseur afin de contrôler les fonctions de base du DALI VEGA (volume, mute, marche/arrêt) via HDMI, HDMI CEC doit être activé sur votre téléviseur.

HDMI CEC porte des noms différents selon la marque du téléviseur :

- Samsung : Anynet+
- LG : SimpLink
- Sony : Bravia Sync
- Phillips : EasyLink
- Panasonic : Viera Link
- Hitachi : HDMI-CEC



8. CONNEXIONS FILAIRES

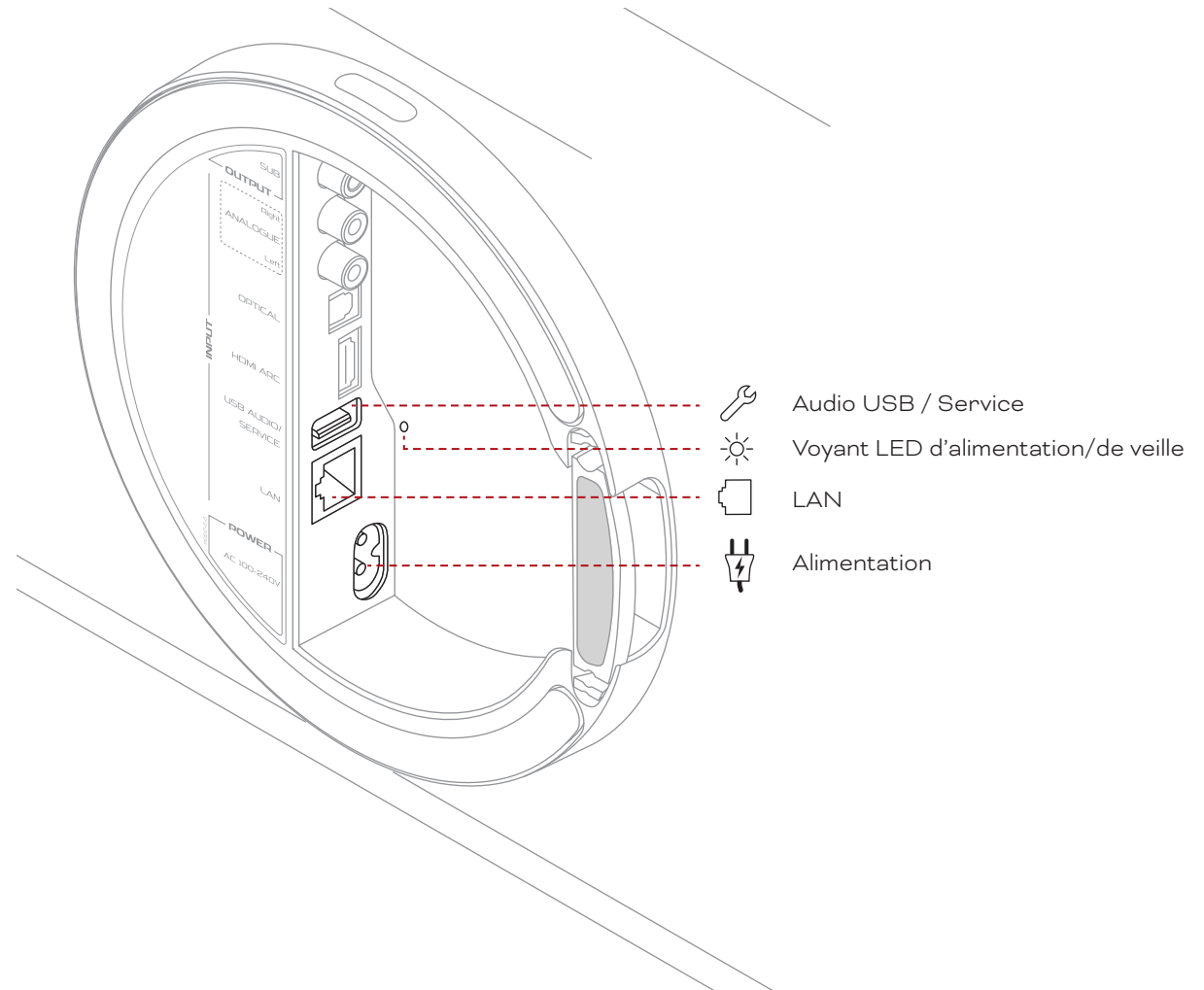
Audio USB / Service : La prise USB du DALI VEGA a deux fonctions. Tout d'abord, elle permet aux fichiers musicaux stockés sur des supports de stockage USB, tels que des disques durs et des clés USB, d'être lus par le DALI VEGA et rendus accessibles via BluOS sur le réseau domestique auquel le DALI VEGA est connecté. Ensuite, la prise USB du DALI VEGA permet les mises à jour logicielles et les fonctions de service.

➔ [Se lancer avec BluOS](#)

Voyant LED d'alimentation/de veille : Le voyant LED d'alimentation/de veille indique l'état d'alimentation du DALI VEGA.

LAN (Réseau) : La prise réseau du DALI VEGA fournit les fonctionnalités de streaming musical de l'application BluOS à l'aide d'une connexion réseau filaire. Si votre DALI VEGA doit utiliser une connexion réseau filaire, connectez la prise réseau à un routeur ou commutateur du réseau domestique à l'aide d'un câble réseau standard.

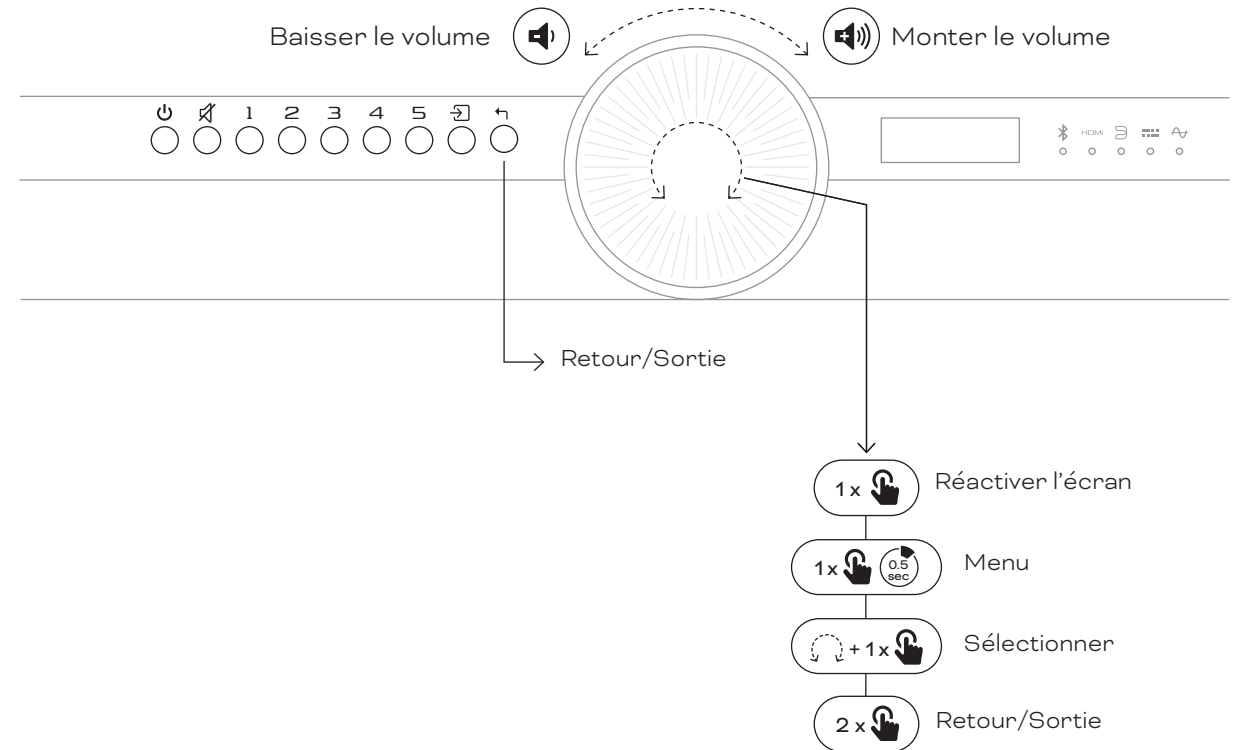
Alimentation : Connectez votre DALI VEGA à l'alimentation secteur à l'aide du câble secteur fourni.



9. CONFIGURATION DU DALI VEGA

Une fois votre DALI VEGA positionné et connecté à l'alimentation secteur, à votre réseau sans fil et aux sources filaires requises, vous pouvez commencer à le configurer.

Le DALI VEGA est configuré depuis l'écran du menu. Utilisez la **molette de volume** pour sélectionner les options du menu. Appuyez sur la surface de la **molette de volume** pour confirmer les sélections. Utilisez le bouton **Retour/Sortie** à gauche de la **molette de volume** pour enregistrer les options sélectionnées et revenir simultanément en arrière dans les menus de configuration.



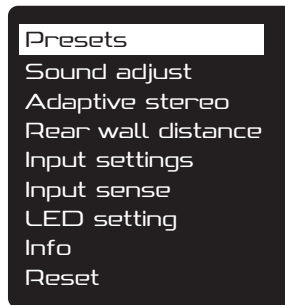
9. CONFIGURATION DU DALI VEGA

Menus du DALI VEGA

Pour accéder aux menus de configuration du DALI VEGA, appuyez une fois sur le centre de la **molette de volume** et maintenez-la enfoncée. Le niveau supérieur des menus de configuration s'affichera à l'écran. Tournez la **molette de volume** pour faire défiler le menu vers le haut ou vers le bas, puis appuyez à nouveau sur le centre de la molette de volume pour sélectionner une option du menu et accéder à son sous-menu.

Les options de configuration disponibles sous chaque élément du menu principal sont décrites dans les paragraphes suivants.

! Si aucune sélection n'est effectuée dans un menu dans les 10 secondes, l'écran du DALI VEGA revient à l'écran d'accueil.



Presets (Réglages prédéfinis)

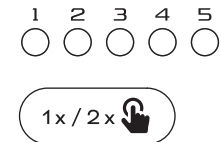
Le menu **Presets** affiche les réglages prédéfinis créés dans l'application BluOS et permet de les activer. Au total 10 réglages prédéfinis BluOS peuvent être attribués (via l'application BluOS) aux cinq boutons de réglages prédéfinis situés à gauche de la molette de volume.

Réglages prédéfinis 1 à 10

Les boutons de **réglage prédéfini** permettent la sélection instantanée de n'importe quel élément enregistré, tel que des stations de radio ou des services de streaming.

Une simple pression active les réglages prédéfinis 1 à 5. Une double pression active les réglages prédéfinis 6 à 10.

Tous les autres réglages prédéfinis BluOS enregistrés se trouvent dans le menu **Presets**, où un maximum de 40 réglages prédéfinis peuvent être activés. Pour un rappel rapide, vous pouvez attribuer n'importe quelle source actuellement sélectionnée, telle qu'une station de radio Internet ou un service de streaming, à l'un des boutons de réglage prédéfini.



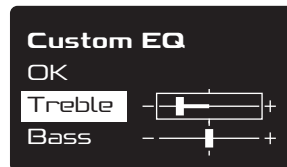
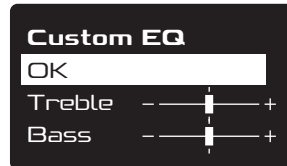
→ [Comment ajouter ou supprimer un réglage prédéfini](#)

9. CONFIGURATION DU DALI VEGA

Sound adjust (Réglage du son)

Le menu **Sound adjust** permet de sélectionner l'audio **Direct** (son DALI VEGA par défaut) ou **Custom EQ (Égalisation personnalisée)**.

Si l'option **Custom EQ** est sélectionnée, un écran permet de régler les basses et les aigus, +/-10 dB, par pas de 2 dB. Réglez les basses et les aigus à l'aide de la **molette de volume**.

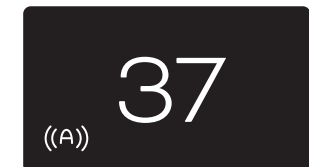
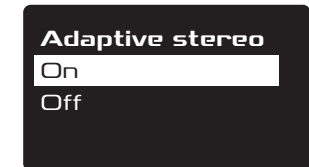


DALI Adaptive Stereo Enhancement™ (Amélioration stéréo adaptative de DALI)

Le DALI VEGA intègre la technologie Adaptive Stereo Enhancement (ASE) développée par DALI qui peut améliorer l'expérience stéréo des enceintes compactes en rendant le son plus ample, immersif et captivant. Cette technologie est activée par défaut mais peut être désactivée si vous le souhaitez.

Le menu **Adaptive stereo** vous permet d'activer ou de désactiver la technologie Adaptive Stereo Enhancement. Sélectionnez l'option requise à l'aide de la **molette de volume**.

- ! Lorsqu'elle est activée, elle est indiquée par le logo ASE ((A)) en bas à gauche de l'écran principal.

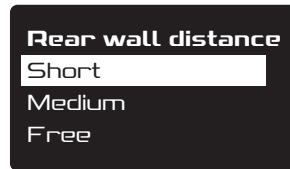


9. CONFIGURATION DU DALI VEGA

Rear wall distance (Distance par rapport au mur arrière)

Le son de votre DALI VEGA, comme toute enceinte, est affecté par les parois à proximité. Le menu **Rear wall distance** permet de régler le son du DALI VEGA en fonction de sa distance par rapport à un mur.

Utilisez la **molette de volume** pour sélectionner l'option qui correspond le mieux à la distance de votre DALI VEGA par rapport à la paroi arrière.

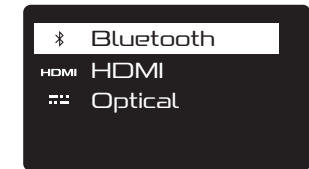


- Short (Courte) :** distance par rapport au mur arrière inférieure à 10 cm (3,9 pouces)
- Medium (Moyenne) :** distance par rapport au mur arrière comprise entre 10 cm et 50 cm (3,9 et 19,6 pouces)
- Free (Libre) :** distance par rapport au mur arrière supérieure à 50 cm (19,6 pouces)

Le menu **Rear wall distance** est désactivé lorsque le DALI VEGA est monté au mur.

Input settings (Réglages d'entrée)

Le menu **Input settings** permet de configurer les options spécifiques aux entrées Bluetooth, HDMI et optique.



Les options sont les suivantes :

- Bluetooth :** Release connection (Supprimer la connexion) et Clear pairings (Effacer les couplages).
- HDMI :** Audio delay (Délai audio).
- Optical :** Signal detect (Détection du signal) et Carrier detect (Détection de porteuse).

- !** Le délai audio HDMI permet d'optimiser la synchronisation labiale du téléviseur.

La détection du signal d'entrée optique et la détection de porteuse permettent au DALI VEGA de sélectionner automatiquement son entrée optique lorsque la source optique est allumée ou uniquement lorsqu'un signal audio est présent.

9. CONFIGURATION DU DALI VEGA

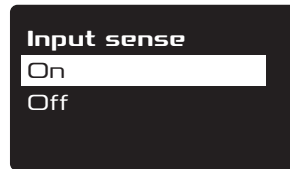
Input sense (Détection d'entrée)

Le menu **Input sense** permet au DALI VEGA de sortir du mode veille dès qu'un signal est présent sur l'une des entrées et de s'éteindre automatiquement après 20 minutes si aucun signal n'est détecté. La fonction **Input sense** peut être activée ou désactivée. Utilisez la **molette de volume** pour sélectionner l'option requise.

- ! Les entrées analogiques et optiques sont automatiquement sélectionnées lorsqu'un signal audio est détecté, à condition que la détection d'entrée soit activée (**On**) et que le VEGA ne diffuse aucune musique.

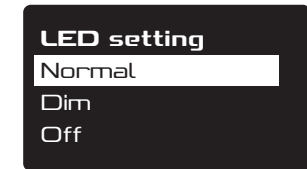
Les entrées Bluetooth et BluOS sont automatiquement sélectionnées lorsque vous appuyez sur le bouton de lecture de la source.

L'entrée HDMI ARC est automatiquement sélectionnée lorsqu'un téléviseur connecté est allumé, à condition que le VEGA ne diffuse aucune musique.



LED setting (Réglage des voyants LED)

Le menu **LED setting** permet de régler la luminosité des voyants LED du DALI VEGA. Utilisez la **molette de volume** pour sélectionner l'option requise.

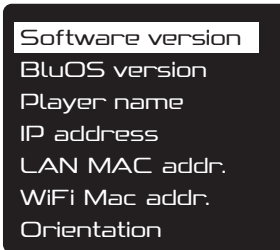


- ! Si le menu de réglage des voyants LED est défini sur **Off (Désactivé)**, les voyants LED du DALI VEGA sont toujours éteints et la source actuellement sélectionnée s'affiche en bas à droite de l'écran.

9. CONFIGURATION DU DALI VEGA

Info

Le menu **Info** affiche des informations système qui peuvent être utiles pour le dépannage. Utilisez la **molette de volume** pour sélectionner et afficher les informations requises, puis quittez le menu à l'aide du bouton **Retour/Sortie**.



Reset (Réinitialisation)

Le menu **Reset** vous permet de supprimer vos réglages utilisateur du DALI VEGA.

Utilisez la **molette de volume** pour sélectionner l'option requise, puis quittez le menu à l'aide du bouton **Retour/Sortie**.



- ! L'option **Settings (Réglages)** réinitialise tous les réglages utilisateur, y compris les couplages Bluetooth, mais pas les réglages prédéfinis BluOS ni la configuration Wi-Fi.

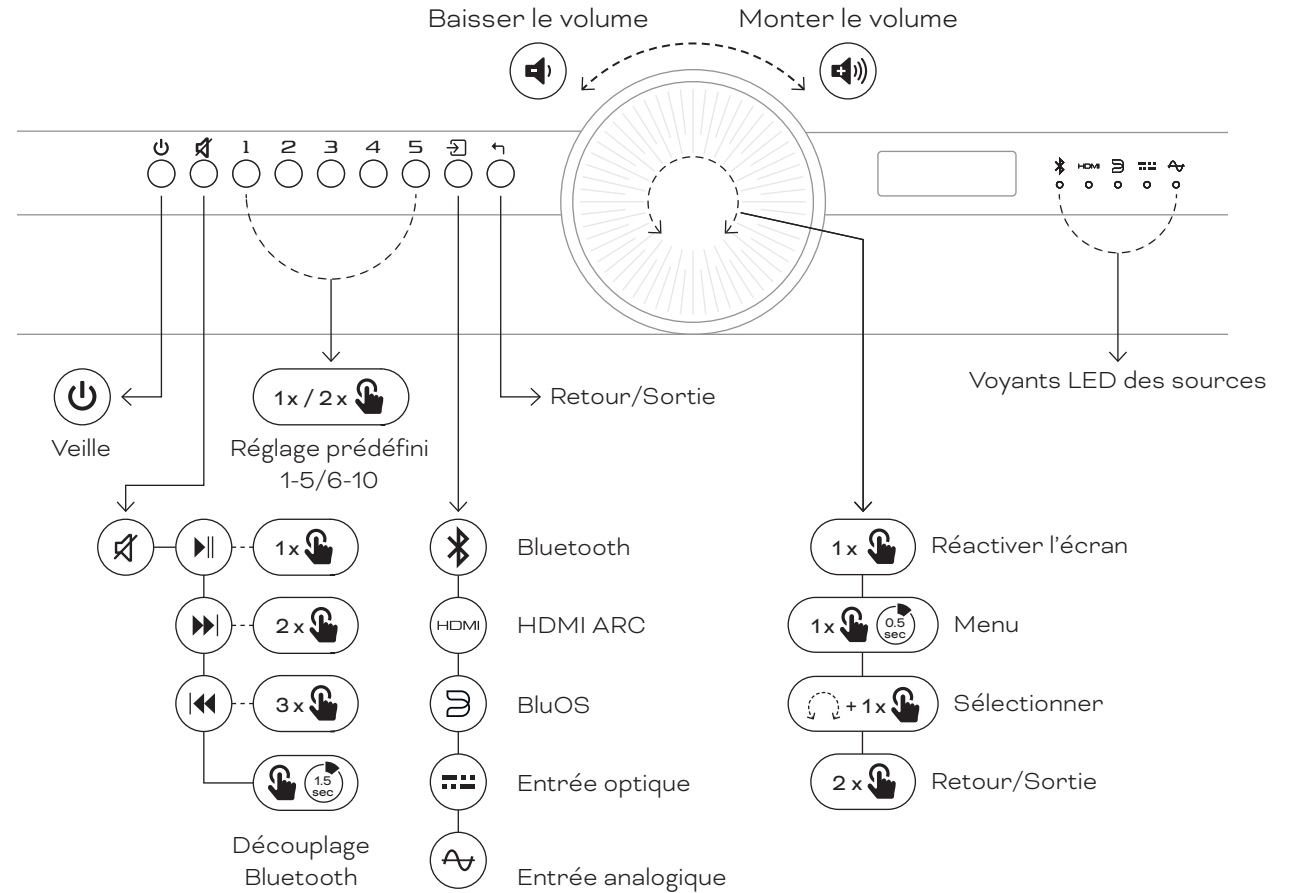
L'option **BluOS/Wi-Fi** supprime les réglages prédéfinis BluOS enregistrés et réinitialise la connexion Wi-Fi, ramenant le DALI VEGA au mode Point d'accès BluOS, prêt pour une nouvelle connexion Wi-Fi.

L'option **All (Tout)** combine les deux autres options de réinitialisation.

10. UTILISATION DE VOTRE DALI VEGA

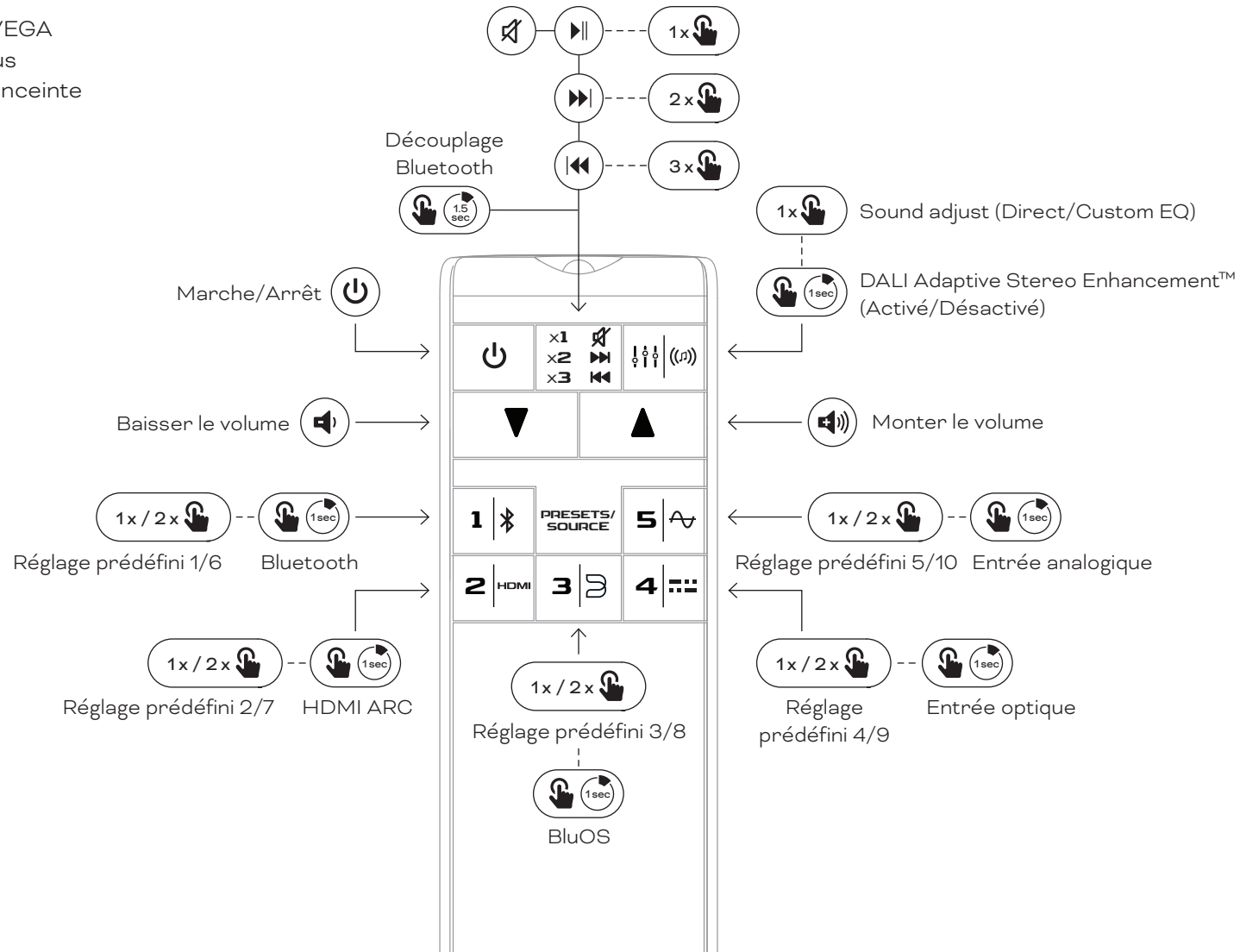
Une fois votre DALI VEGA positionné, connecté et configuré, vous pouvez profiter de ses performances avec votre musique préférée.

Pour contrôler votre DALI VEGA, vous pouvez utiliser soit ses **boutons** intégrés et sa **molette de volume**, soit sa **télécommande**. La télécommande et ses boutons sont illustrés sur la page suivante.



10. UTILISATION DE VOTRE DALI VEGA

La télécommande du DALI VEGA reprend les fonctions les plus fréquemment utilisées de l'enceinte DALI VEGA.




10. UTILISATION DE VOTRE DALI VEGA

Boutons et molette de volume du DALI VEGA

De gauche à droite, les boutons du DALI VEGA assurent les fonctions suivantes :

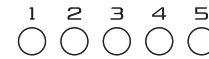
Bouton de veille

Appuyez sur le bouton de veille pour redémarrer votre DALI VEGA ou le remettre en veille.

 La consommation électrique du DALI VEGA en mode veille est inférieure à 0,5 Watt.

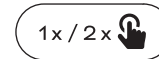
Bouton Mute

Appuyez sur le bouton **Mute** pour couper ou restaurer le son. Si la source actuellement sélectionnée offre des commandes de lecture, le bouton **Mute** contrôlera ses fonctions : appuyez une fois pour **Lecture/Pause**, deux fois pour **Avancer** et trois fois pour **Reculer**. Appuyez sur le bouton **Mute** et maintenez-le enfoncé pour découpler le Bluetooth.



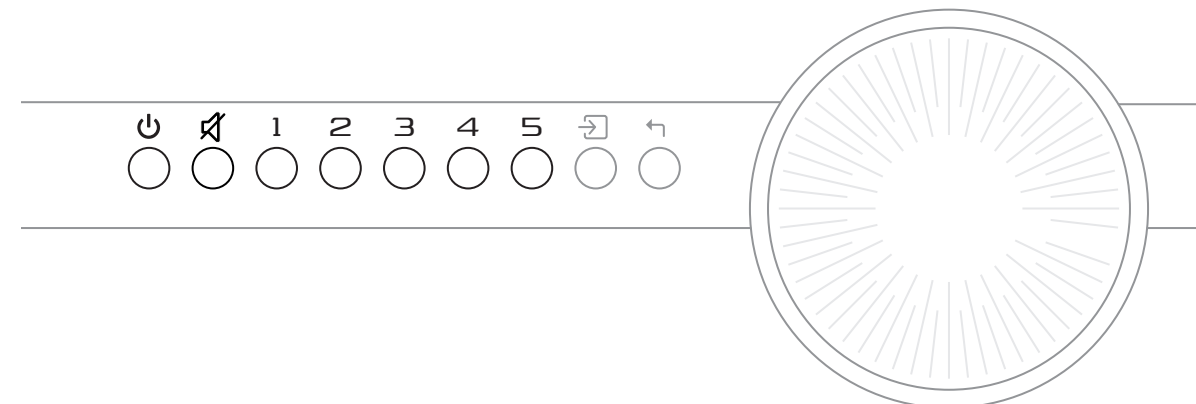
Boutons de réglage prédéfini 1 à 10

Les boutons de **réglage prédéfini** permettent la sélection instantanée de n'importe quel élément enregistré, tel que des stations de radio ou des services de streaming.



Une simple pression active les réglages prédéfinis 1 à 5.

Une double pression active les réglages prédéfinis 6 à 10.



10. UTILISATION DE VOTRE DALI VEGA

☞ **Bouton de sélection d'entrée**

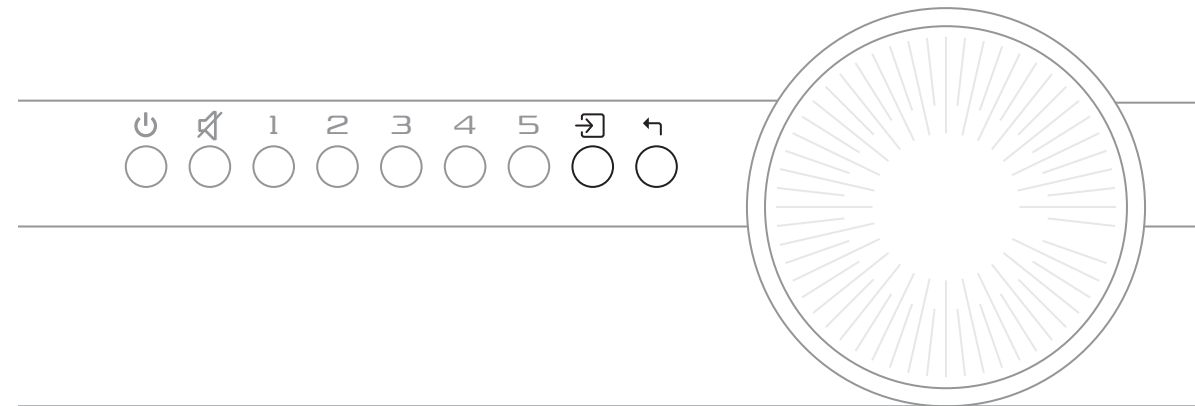
Appuyer sur le bouton de sélection d'**entrée** permet de faire défiler et de sélectionner les entrées du signal DALI VEGA disponibles dans l'ordre suivant :

-  Bluetooth
-  HDMI ARC
-  BluOS
-  Entrée optique
-  Entrée analogique

! La première fois que vous appuyez sur le bouton de sélection d'entrée, la sélection actuelle de la source du signal s'affiche. Lorsque vous appuyez à nouveau sur ce bouton, vous pouvez parcourir les sources.

↶ **Bouton Retour/Sortie**

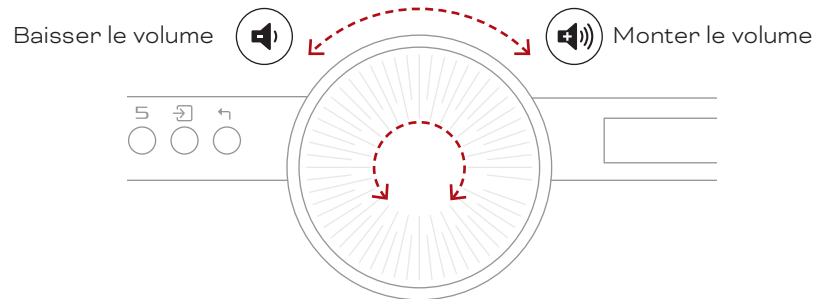
Appuyez sur le bouton **Retour/Sortie** pour revenir aux niveaux précédents du menu.



10. UTILISATION DE VOTRE DALI VEGA

Molette de volume

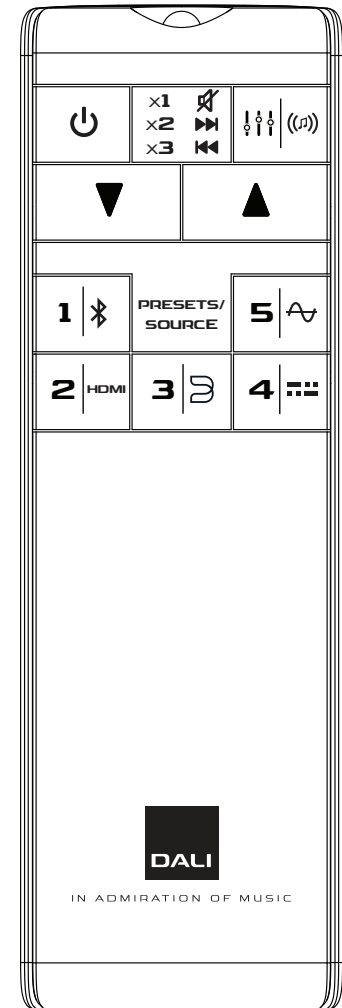
Lorsque votre DALI VEGA est allumé et n'est pas en mode menu de configuration, la **molette de volume** contrôle le volume. Tournez-la dans le sens des aiguilles d'une montre pour augmenter le volume et dans le sens inverse pour le diminuer.



Télécommande

La télécommande du DALI VEGA reprend les fonctions les plus fréquemment utilisées de l'enceinte DALI VEGA.

La télécommande du DALI VEGA et ses boutons sont illustrés sur la page 24.



11. CONNEXION BLUETOOTH

11.1 Couplage Bluetooth

Pour connecter votre appareil Bluetooth au DALI VEGA :

1. Allumez le DALI VEGA.
2. Sélectionnez l'entrée Bluetooth à l'aide du bouton de sélection d'entrée.
3. Le DALI VEGA est maintenant prêt pour le couplage Bluetooth.
 - a. Si le voyant Bluetooth clignote, aucun appareil n'est actuellement connecté.
 - b. Si le voyant Bluetooth est fixe, un appareil est connecté. Pour déconnecter l'appareil en question, utilisez la fonction de découplage Bluetooth.
 - c. Un seul appareil Bluetooth peut être connecté à la fois.
 - d. Lancez le couplage Bluetooth sur votre appareil. Une fois le couplage terminé, la musique sera diffusée à partir de votre appareil connecté via Bluetooth.

Lorsque le Bluetooth est sélectionné, le DALI VEGA se connectera automatiquement au dernier appareil utilisé si celui-ci a déjà été couplé au DALI VEGA et se trouve à sa portée.

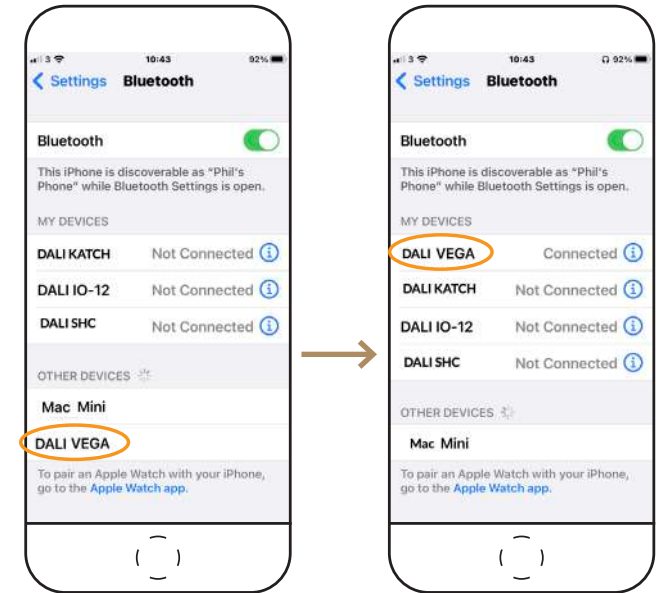
Le DALI VEGA ne lancera pas la lecture automatique. La lecture doit être démarrée à partir de l'appareil connecté ou en appuyant brièvement sur le bouton Mute du DALI VEGA ou de la télécommande.

11.2 Découplage Bluetooth

Si vous ne parvenez pas à coupler votre appareil avec le DALI VEGA :

1. Appuyez sur le bouton de découplage Bluetooth (bouton Mute) et maintenez-le enfoncé jusqu'à ce que le son de découplage Bluetooth soit émis et que le voyant LED Bluetooth (LED 1) commence à clignoter.
2. L'appareil connecté est maintenant déconnecté et vous pouvez redémarrer le couplage.
3. Le découplage Bluetooth peut également être activé en allant dans **Input settings (Réglages d'entrée)** -> **Bluetooth** dans le menu du système.

! Jusqu'à 8 appareils Bluetooth peuvent être couplés avec le DALI VEGA.



! Si vous modifiez le nom du DALI VEGA dans l'application BluOS, le nom Bluetooth changera également.












12. ENTRETIEN ET ASSISTANCE

Votre DALI VEGA ne nécessite aucun traitement spécial au-delà du type de soins que vous prodigueriez à d'autres produits de forte valeur de votre domicile. Utilisez un chiffon doux et sec pour dépolir le boîtier.

DALI ne recommande pas l'utilisation de liquides ou de sprays de nettoyage.

13. GUIDE DE DÉPANNAGE BLUOS

Le voyant lumineux multicolore à côté du logo BluOS indique également le statut BluOS du DALI VEGA :

	Code du voyant lumineux	Description
	Rouge fixe, puis vert clignotant	Mise sous tension / redémarrage de l'unité
	Vert fixe	Mode Point d'accès
	Vert clignotant	Connexion au réseau
	Impulsion blanche	Mise à jour du logiciel disponible
	Rouge fixe	Mode mise à niveau
	Clignotement alterné rouge et vert	Mise à niveau
	Bleu clignotant	Mode Mute
	Blanc fixe	Indexation
	Bleu fixe	Connecté au réseau – prêt à une utilisation avec l'application BluOS
	Rouge clignotant	Retour aux paramètres d'usine en cours
	Violet fixe	Le mode Point d'accès a expiré

Pour plus d'informations, consultez la page d'assistance Bluesound :

 [Page d'assistance Bluesound](#)

14. MISES À JOUR DU FIRMWARE

Un firmware mis à jour peut occasionnellement être mis à disposition pour votre DALI VEGA via l'application BluOS. Le firmware mis à jour peut améliorer les performances et la fiabilité ou introduire de nouvelles fonctionnalités.



15. CONSOMMATION ÉLECTRIQUE

Mode hors ligne

Appuyez sur le bouton de veille et maintenez-le enfoncé pendant 5 secondes. Toutes les connexions seront alors désactivées et la consommation électrique réduite au minimum, jusqu'à ce que le VEGA soit réactivé en appuyant à nouveau sur le bouton de veille.

Mode veille en réseau

Le mode veille en réseau s'active automatiquement si aucun son n'est diffusé et si aucune sélection n'a été effectuée par l'utilisateur pendant 20 minutes. Dans ce mode, toute action de l'utilisateur, y compris la lecture de musique sur une source connectée, redémarre automatiquement le VEGA.

Désactivation du Wi-Fi

Dès qu'un câble Ethernet est connecté au VEGA, les fonctions réseau sans fil sont automatiquement désactivées.

Mode	Consommation électrique	Activation	Désactivation
Actif (pas de son)	9,2 W	(Voir « Mode veille en réseau »)	(Voir « Mode veille en réseau »)
Veille en réseau (HiNA)	2,9 W	Automatiquement après 20 minutes sans audio ni action de l'utilisateur	Toute action de l'utilisateur, y compris le lancement de la lecture
Hors ligne	< 0,7 W	Manuellement, en maintenant le bouton de veille enfoncé	Manuellement, en appuyant sur le bouton de veille

16. SPÉCIFICATIONS DU DALI VEGA

DALI VEGA		DALI VEGA	
Plage de fréquences	32 - 22 700 Hz ±3 dB	Sortie du caisson de basse avec filtre passe-bas	120 Hz
SPL maximum @ 1 m	110 dB	Formats d'entrée numériques	PCM, stéréo
Fréquence de coupure	2 400 Hz	Entrée(s) sans fil	Bluetooth BluOS Spotify Connect Tidal Connect Apple AirPlay 2
Principe de filtrage	Filtrage actif 2 voies, 8 canaux	Codecs d'entrée Bluetooth	AAC aptX aptXHD
Haut-parleur(s) haute fréquence	Dôme souple 4 × 25 mm	Codecs d'entrée BluOS	MP3 AAC (M4A, MP4) WMA OGG FLAC ALAC (M4A) WMA-L MQA WAV AIFF (AIF, AIFC) PCM DSD256 (conversion DSD vers PCM)
Diaphragme haute fréquence	Tissu souple	Formats audio pris en charge	Audio 16 - 24 bits Fréquence d'échantillonnage 32 / 44.1 / 48 / 96 / 192 kHz
Haut-parleur(s) de fréquences médiums / basses	4 × 4½ pouces	Placement recommandé	Posé : emplacement libre Posé : près du mur Posé : à proximité d'un coin/mur Sur le mur : à l'horizontale Sur le mur : à la verticale
Diaphragme de fréquences médiums / basses	Cône en fibre de papier et de bois		
Type de boîtier	Enceinte de masse accordée 2 × radiateurs passifs rectangulaires (3 × 6 pouces)		
Fréquence d'accord du radiateur passif	32 Hz		
Type d'amplificateur	BTL (Bridge-Tied Load) de classe D		
Puissance continue de sortie de l'amplificateur	8 × 50 W RMS		
Potenza totale di uscita dell'amplificatore	400 W		
Connexion(s) d'entrée	1 × HDMI (ARC) 1 × entrée analogique (RCA asymétrique, stéréo) 1 × entrée optique (Toslink, stéréo) 1 × entrée Audio USB/Service (disque dur ou clé USB)		
Connexion(s) de sortie	Sortie Sub Alimentation USB (5 V/1 A)		

Suite sur la page suivante

16. SPÉCIFICATIONS DU DALI VEGA

DALI VEGA

Fonctions	Adaptive Orientation Adjustment (Réglage adaptatif de l'orientation) Adaptive Stereo Enhancement Jusqu'à 40 réglages prédéfinis programmables Sound adjust (Direct/Custom EQ) Rear wall distance (Distance par rapport au mur arrière) Découplage/Désactivation Bluetooth Délai audio HDMI Détection de signal optique/porteuse Input sense LED setting Retour aux paramètres d'usine Veille (mise hors tension automatique) Mute Marche / arrêt Volume Sélection de source
Consommation électrique maximale	250 W
Consommation électrique en veille	≤ 3 W
Dimensions (H × l × P)	143 x 683 x 243 mm 5,63 x 26,90 x 9,57 pouces
Dimensions de transport (H × L × P)	330 x 870 x 200 mm 13,0 x 34,25 x 7,87 pouces
Poids	8,7 kg 19,18 lb
Poids de transport	13,3 kg 29,32 lb
Finition	Dark Oak Natural Oak

DALI VEGA

Accessoires inclus	1 × télécommande 2 × piles AAA (pour la télécommande) 2 × supports muraux (pour le mur) 2 × supports muraux (pour le VEGA) 2 × vis pour supports muraux VEGA 1 × clé Allen M6 1 × organisateur de câbles 1 × câble d'alimentation 1 × carte d'enregistrement de produit 1 × guide de démarrage rapide 2 × gabarits de montage mural 1 × manuel de sécurité
--------------------	---

Toutes les spécifications techniques peuvent être modifiées sans préavis.

Mentions légales

Les termes suivants sont des marques commerciales ou des marques déposées par leurs propriétaires respectifs :

Bluetooth®	Bluetooth SIG, Inc.
BluOS™	Bluesound International, a division of Lenbrook Industries Limited
HDMI®	HDMI Licensing Administrator, Inc.
Wi-Fi®	Wi-Fi Alliance

DALI VEGA

MANUAL

VERSIÓN 1.0 - MARZO DE 2026
ESPAÑOL





INDICE

1.	Introducción	106
2.	Contenido del embalaje	107
3.	Desembalaje	108
4.	Conexión Wi-Fi y configuración de la app BluOS..	109
5.	Colocación de su DALI VEGA	110
6.	Gestión de cables	112
7.	Colocación de su DALI VEGA en pared	113
8.	Conexiones con cable	118
9.	Configuración del DALI VEGA	121
10.	Su DALI VEGA en funcionamiento	127
11.	Conexión Bluetooth	132
12.	Cuidados y mantenimiento	133
13.	Resolución de problemas del BluOS	133
14.	Actualización de firmware	134
15.	Consumo	135
16.	Especificaciones del DALI VEGA	136

1. INTRODUCCION

Felicidades por su nuevo DALI VEGA.

El DALI VEGA es un sistema de sonido de última generación y de tipo “todo-en-uno”, diseñado para ser el punto de referencia en cuanto a rendimiento para música con estilo con una única unidad para su hogar. El DALI VEGA combina una calidad de sonido fabulosa con una inmensa versatilidad, un manejo intuitivo y un lujoso diseño danés, exclusivo a la vez que atractivo.

Este manual de instrucciones describe todos los pasos para configurar y usar su DALI VEGA.

Lea completamente este manual antes de empezar a configurar y usar su DALI VEGA.

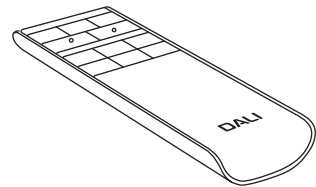
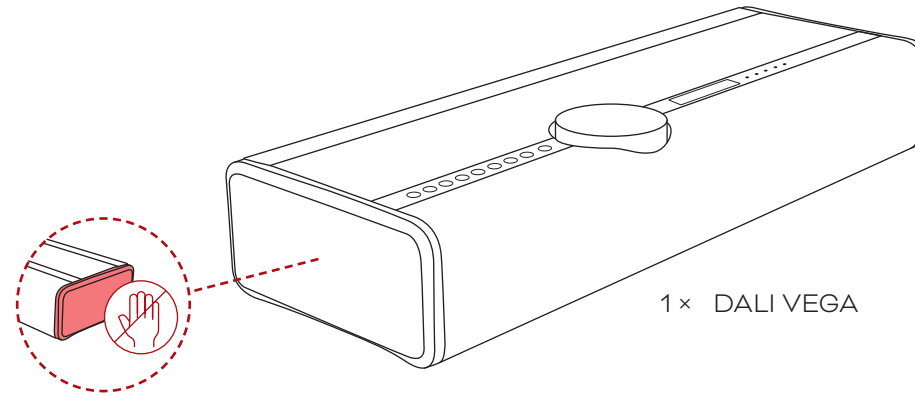
Este manual comienza con una descripción del contenido del embalaje del DALI VEGA y continúa hablando acerca de su posicionamiento, las conexiones, la configuración y el uso diario del DALI VEGA.



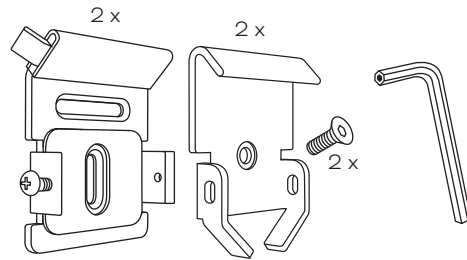
2. CONTENIDO DEL EMBALAJE

A continuación puede ver una ilustración del contenido del embalaje del DALI VEGA.

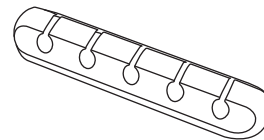
- ! Evite tocar los cabezales pasivos del radiador que hay en ambos extremos del DALI VEGA.



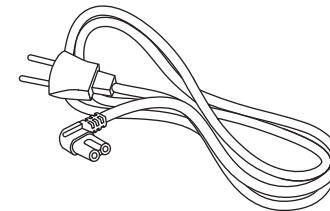
- 1 x Control remoto
2 x Pilas AAA (para el control remoto)



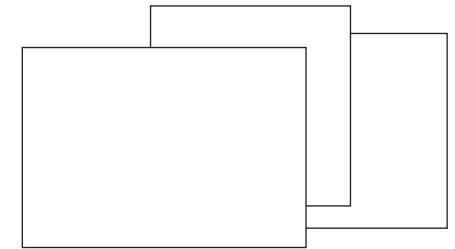
- 2 x Abrazadera de pared
2 x Abrazadera de pared (VEGA)
2 x Tornillos para abrazaderas de pared VEGA
1 x Llave Allen de 5 mm (M6)



- 1 x Portacables

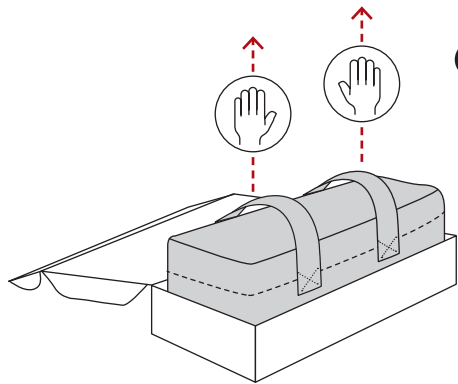


- 1 x Cable de alimentación

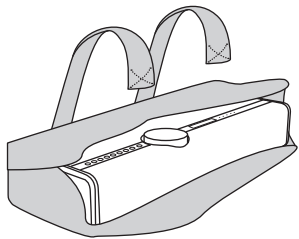


- 1 x Tarjeta de registro del producto
1 x Guía de puesta en marcha
2 x Plantilla para montaje en pared
1 x Manual de seguridad

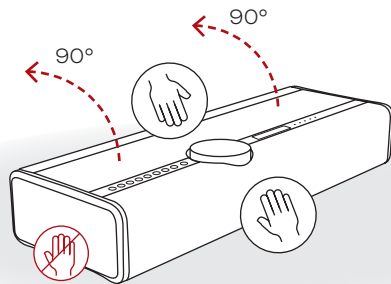
3. DESEMBALAJE



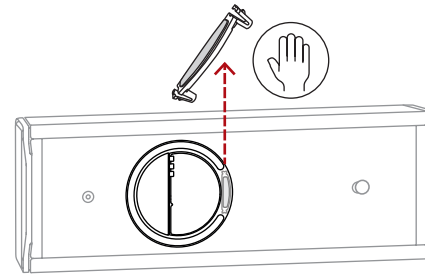
- 1** Abra la tapa de la caja y utilice ambas tiras para extraer el VEGA del embalaje.



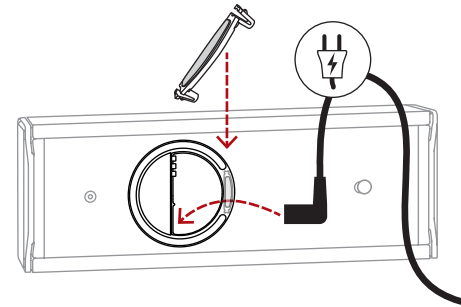
- 2** Suelte las tiras de velcro y retire la tapa.



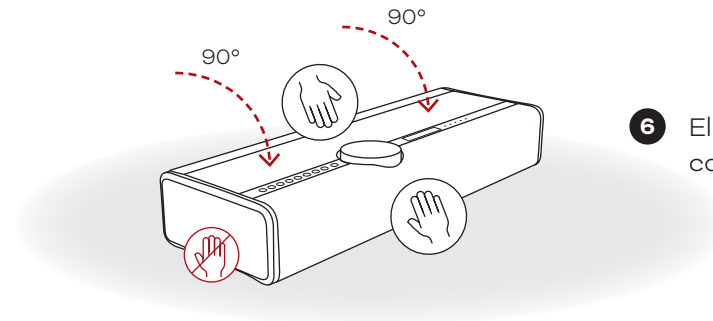
- 3** Incline el VEGA 90 grados hacia atrás. Abra y retire la pinza del cable.



- 4** Conecte el cable de alimentación y cualquier otro cable adicional.



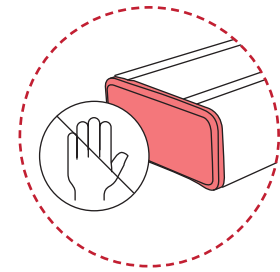
- 5** Coloque la pinza del cable y después gire el VEGA nuevamente sobre sus patas.



- 6** El VEGA ya estará listo para la conexión Wi-Fi.

¡IMPORTANTE!

Durante el proceso de desembalaje, asegúrese de no tocar los radiadores pasivos.



4. CONEXION WI-FI Y CONFIGURACION DE LA APP BLUOS

1 Encienda su DALI VEGA

Espere hasta que el piloto BluOS quede iluminado fijo en verde, lo que indicará el modo “Hotspot”.

2 Consiga la app BluOS

Por medio de su smartphone o tableta, descargue y abra la app BluOS.



! Si utiliza un dispositivo iOS, también podrá conectar el DALI VEGA a su red Wi-Fi a través de la opción “Configuración de un nuevo altavoz AirPlay” en los ajustes de Wi-Fi de su iOS.



3 Añada su DALI VEGA a su red

El asistente “Añade un reproductor” lo guiará a través de los pasos necesarios para finalizar la configuración de la app BluOS.

! Si la toma LAN (red) de su DALI VEGA está conectada a un router doméstico o a un conmutador de red, no necesitará conexión Wi-Fi. Su DALI VEGA estará disponible para su configuración dentro de la app BluOS Controller.



Acceda a la web bluesound.com/downloads para descargar la app

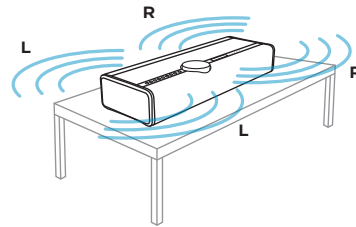
Los ajustes iniciales de la red se realizan mediante la app BluOS en su smartphone o tableta. Asegúrese de que la app esté descargada e instalada y de tener a mano su smartphone o tableta cerca cuando empiece con este proceso.

➔ [Página de soporte de Bluesound](#)

5. COLOCACION DE SU DALI VEGA

EL DALI VEGA ofrece una excelente versatilidad, lo que lo convierte en perfecto para ser instalado en una amplia gama de entornos domésticos. Puede colocarlo sobre una mesa, un mueble, una estantería o en el alféizar de una ventana, por ejemplo. También puede montar el DALI VEGA en la pared, tanto en orientación horizontal como en vertical, utilizando el soporte de pared opcional DALI VEGA. En lo relativo a la colocación de su DALI VEGA, los únicos requisitos obligatorios son acceso a la red eléctrica y a un router o conmutador de red, en caso de que prefiera una conexión de red por cable.

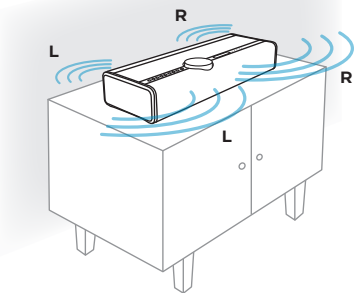
Dependiendo de la orientación de su DALI VEGA, adaptará automáticamente el ruteo stereo a sus altavoces frontal y trasero, según corresponda, para adecuarse a la orientación sobre soporte, horizontal o vertical. La orientación de su pantalla también girará automáticamente.



1 De pie: Espacio libre

El DALI VEGA reproduce el sonido en ambos sentidos: adelante y atrás.

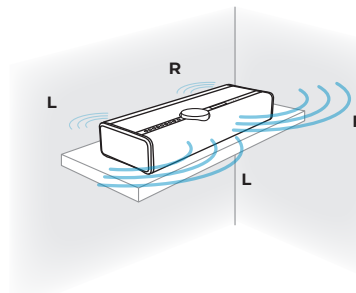
Distancia recomendada a la pared trasera: **Cualquiera.**



2 De pie: Cerca de la pared

El DALI VEGA reproduce el sonido más hacia delante que hacia atrás.

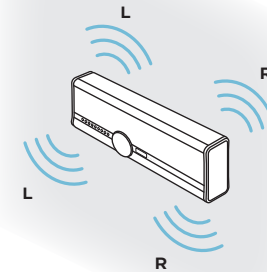
Distancia recomendada a la pared trasera: **Media.**



3 De pie: Cerca de la esquina/pared

En este modo, el DALI VEGA reproduce aún menos sonido hacia atrás.

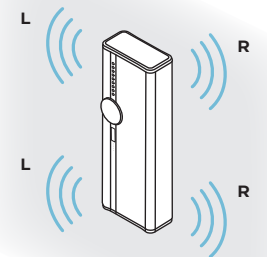
Distancia recomendada a la pared trasera: **Corta.**



4 Encastrado: Horizontal

El DALI VEGA reproduce el sonido en ambos sentidos.

La distancia a la pared trasera es ajustada automáticamente.



5 Encastrado: Vertical

El DALI VEGA reproduce el sonido en ambos sentidos. Los cabezales delanteros reproducen el canal izquierdo y los traseros el canal derecho.

La distancia a la pared trasera es ajustada automáticamente.

5. COLOCACION DE SU DALI VEGA

Adaptive Orientation Adjustment (Ajuste de orientación adaptable)

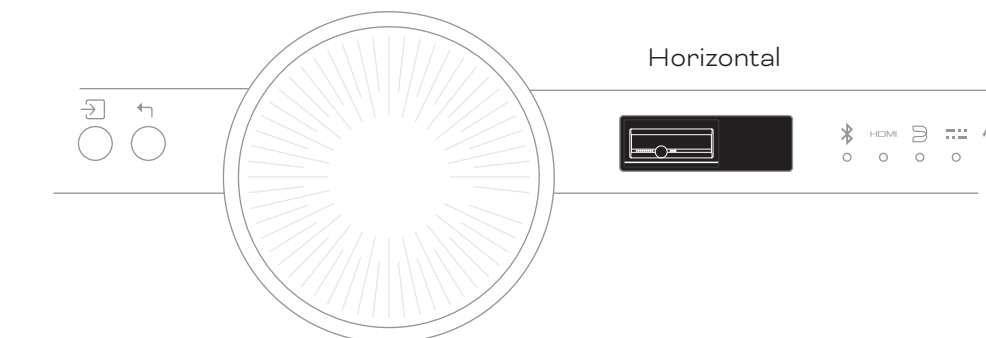
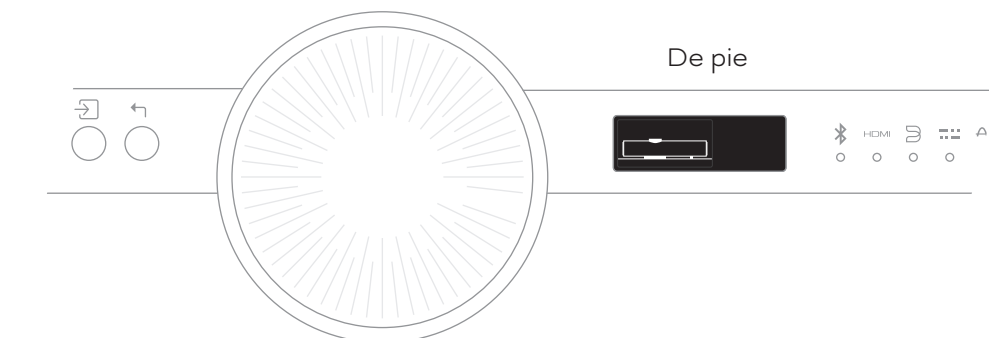
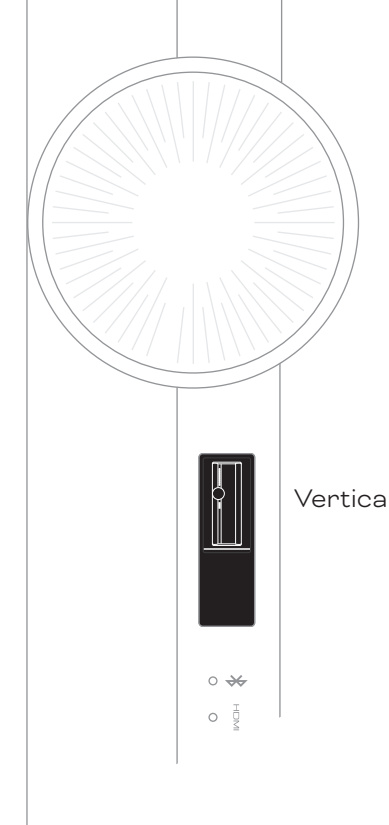
El DALI VEGA ha sido diseñado con la avanzada tecnología Adaptive Orientation Adjustment desarrollada por los propios técnicos de DALI. La tecnología Adaptive Orientation Adjustment permite una integración perfecta de su DALI VEGA en cualquier espacio habitable, sin importar cómo lo coloque o monte.

Equipado con un sensor de posición, el VEGA detecta de forma inteligente su orientación de montaje, ya sea sobre una estantería o una mesa, o montado en la pared en modo horizontal o vertical. Y reconfigura automáticamente la asignación de canales stereo para garantizar una fidelidad de

audio óptima. Este ajuste en tiempo real mejora la precisión espacial y la imagen stereo para ofrecerle una experiencia auditiva inmersiva y constante, independientemente de la ubicación.

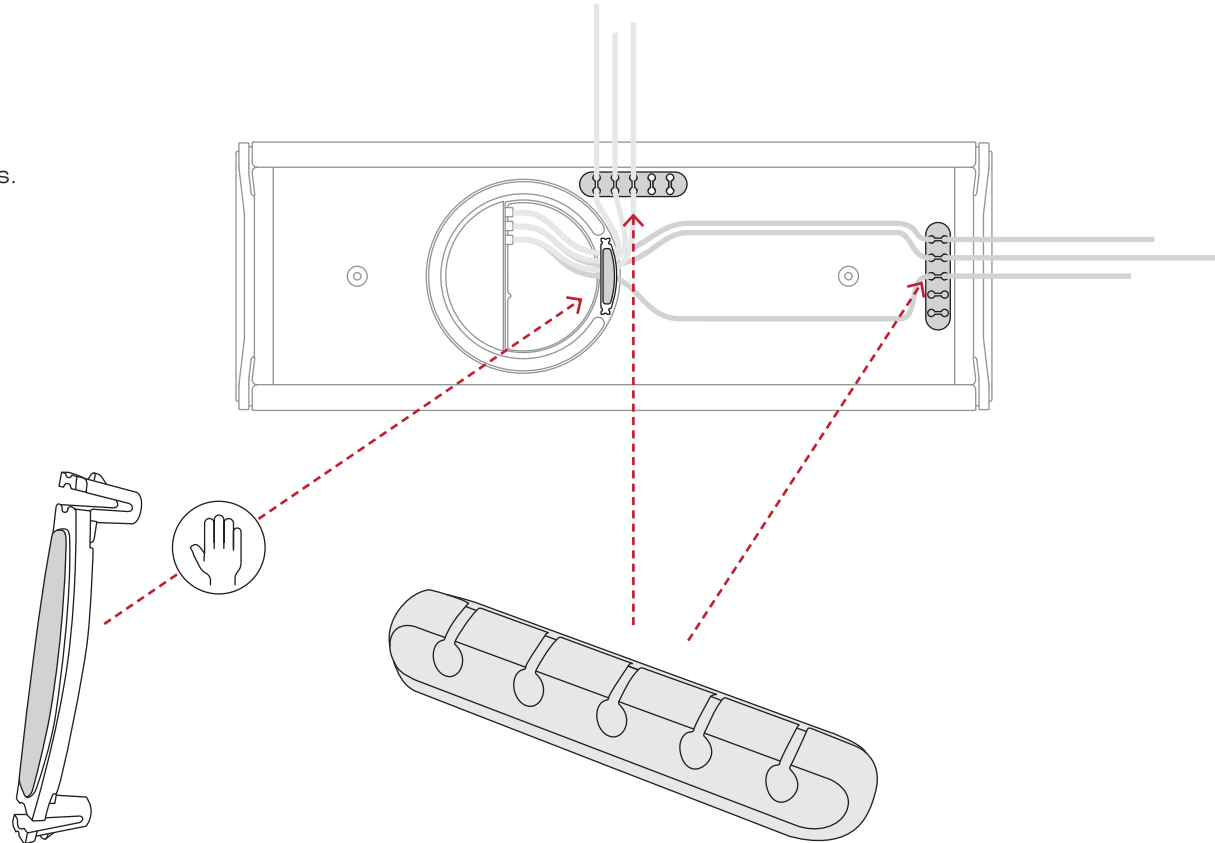
El Adaptive Orientation Adjustment es un componente clave de la filosofía del diseño pensando en el medio ambiente del VEGA, que le permite adaptarse acústicamente a las preferencias de los usuarios y aumentar el rendimiento musical con precisión y claridad.

Cuando coloque su VEGA en la orientación que quiera, la pantalla VEGA indicará el modo Adaptive Orientation Adjustment activado visualizando uno de los tres logotipos.



6. GESTION DE CABLES

En la parte posterior del VEGA encontrará una pinza para cable que puede abrir usando los dedos en ambos extremos. Junto con el soporte para cables incluido, esto le permite una fácil gestión de los cables en cualquier orientación o colocación.



7. COLOCACION DE SU DALI VEGA EN PARED

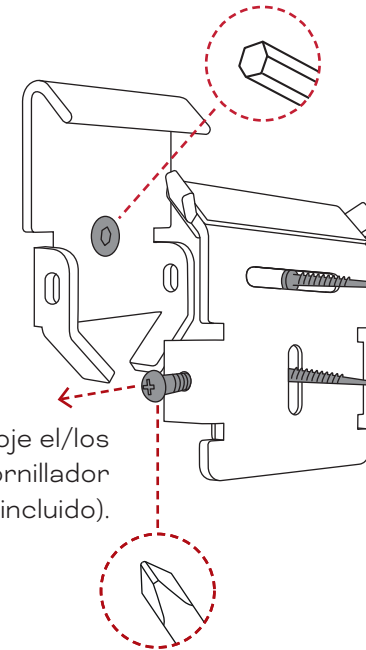
Para montar el DALI VEGA en la pared en modo horizontal o vertical, utilice las cuatro abrazaderas de pared incluidas.

Monte dos de las abrazaderas de pared con los tornillos de abrazadera de pared incluidos en la parte posterior del DALI VEGA usando la llave Allen M6.

Monte las dos abrazaderas de pared restantes en la pared con cuatro tornillos adecuados (no incluidos).

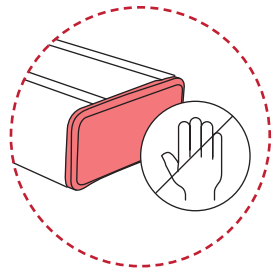
Siga los pasos de las siguientes páginas.

Monte las abrazaderas para DALI VEGA con un tornillo de abrazadera cada una (incluido). Utilice una llave Allen M6 y apriete las abrazaderas firmemente en su lugar.

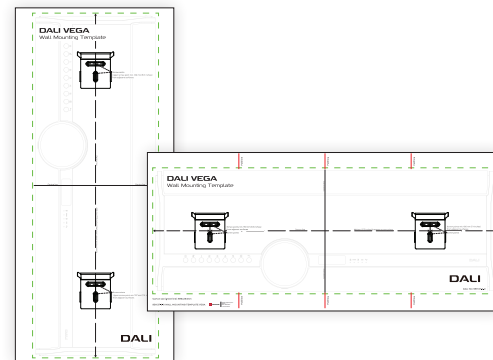


Monte las abrazaderas para pared con dos tornillos, adecuados al tipo de pared (no incluidos).

Antes de montar el altavoz, afloje el/los tornillo/s de seguridad con un destornillador de estrella/Phillips (no incluido).



! Durante el proceso de montaje, asegúrese de no tocar los radiadores pasivos.

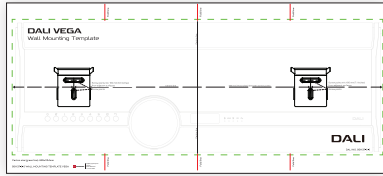


! Utilice la **plantillas de montaje en pared** incluida para determinar sin esfuerzo la posición de montaje de sus abrazaderas de pared.

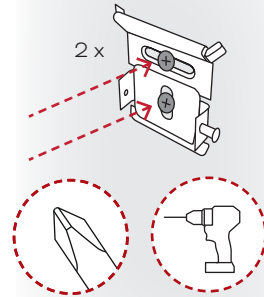
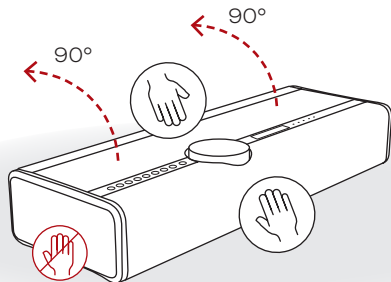
Dispone de dos **plantillas de montaje en pared**: una para orientación horizontal y otra para orientación vertical.

7. COLOCACION DE SU DALI VEGA EN PARED

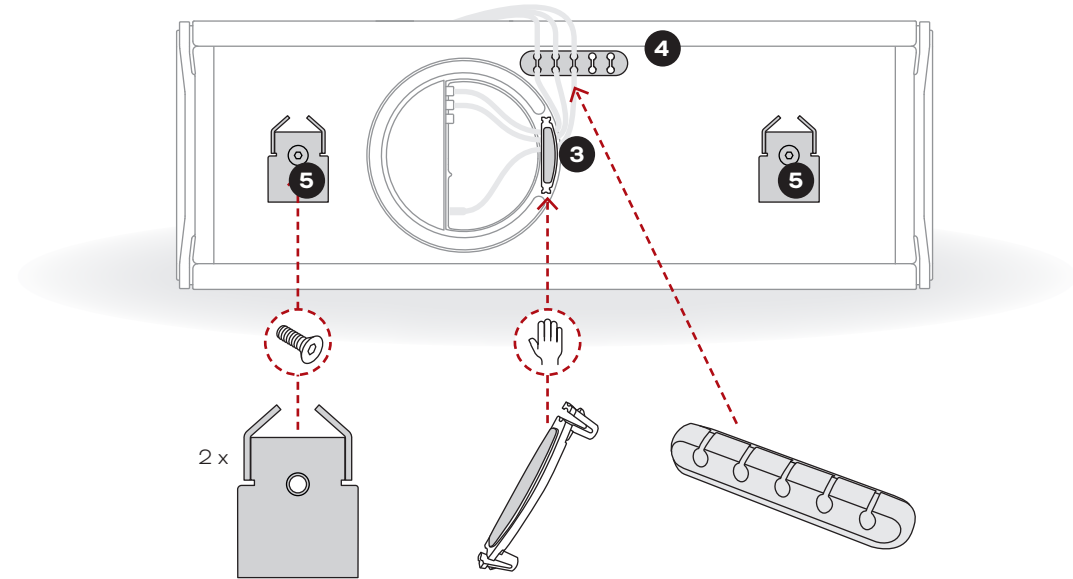
Orientación horizontal (1/2)



- 1 Utilice la plantilla de montaje en pared horizontal incluida para marcar los 2 x 2 agujeros de taladro y después monte las dos abrazaderas de pared en la pared.
- 2 Incline el VEGA 90 grados hacia atrás.



! NO coloque el VEGA sobre su lado frontal o superior, ya que esto puede rayar accidentalmente el control de volumen.

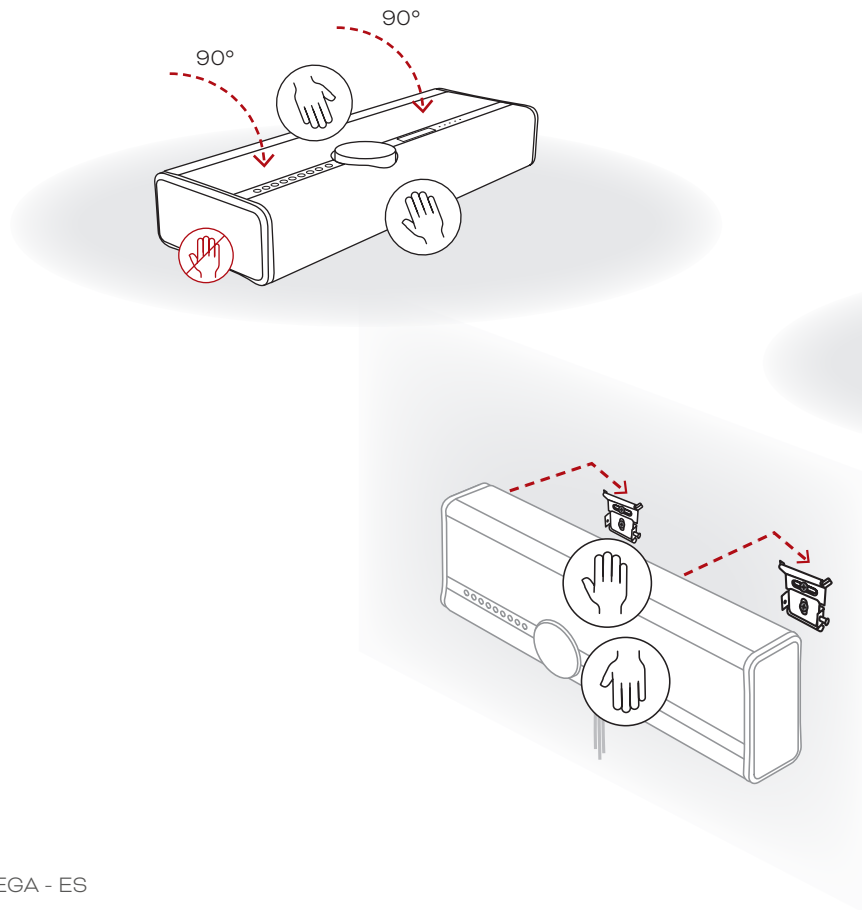


- 3 Monte las abrazaderas de pared VEGA para orientación horizontal.
- 4 Coloque el soporte de cable adhesivo y organice los cables con él.
- 5 Retire la pinza del cable, conecte los cables y vuelva a colocar la pinza del cable.

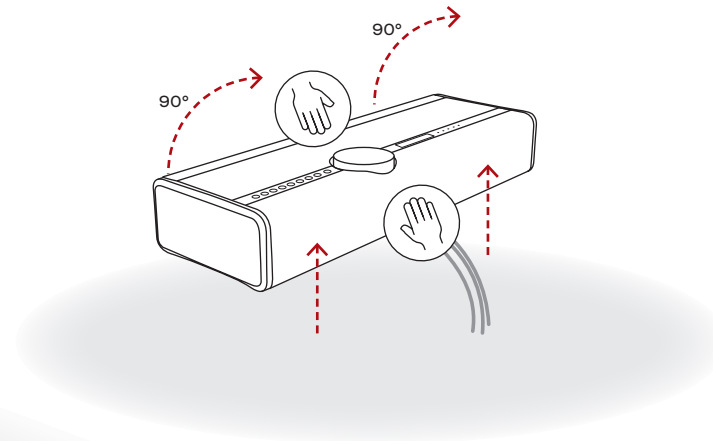
7. COLOCACION DE SU DALI VEGA EN PARED

Orientación horizontal (2/2)

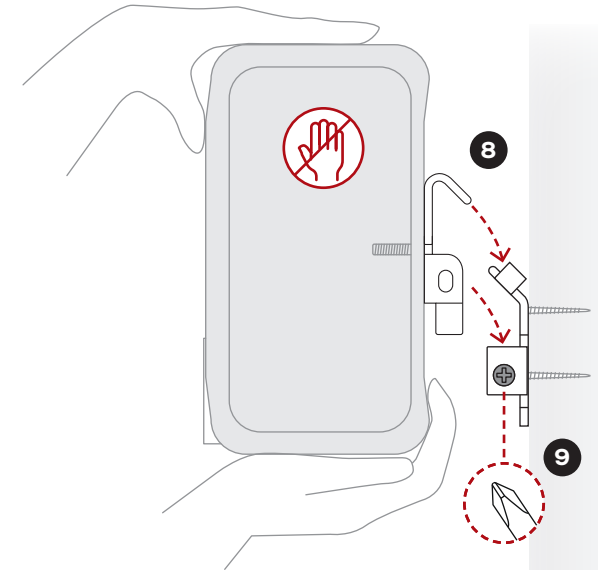
- 6** Gire el VEGA nuevamente sobre sus patas.



- 7** Levante el VEGA y gire su parte inferior (y las abrazaderas de pared) hacia la pared.

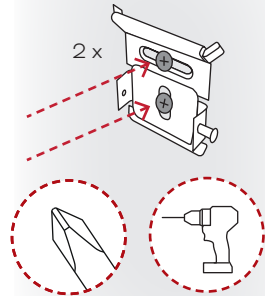
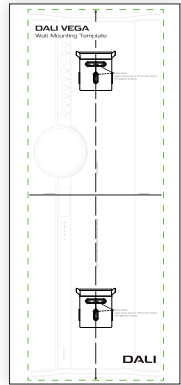


- 8** Levante con cuidado el VEGA hasta su lugar y fíjelo a las abrazaderas.
- 9** Apriete los tornillos de seguridad con un destornillador de estrella-Phillips.



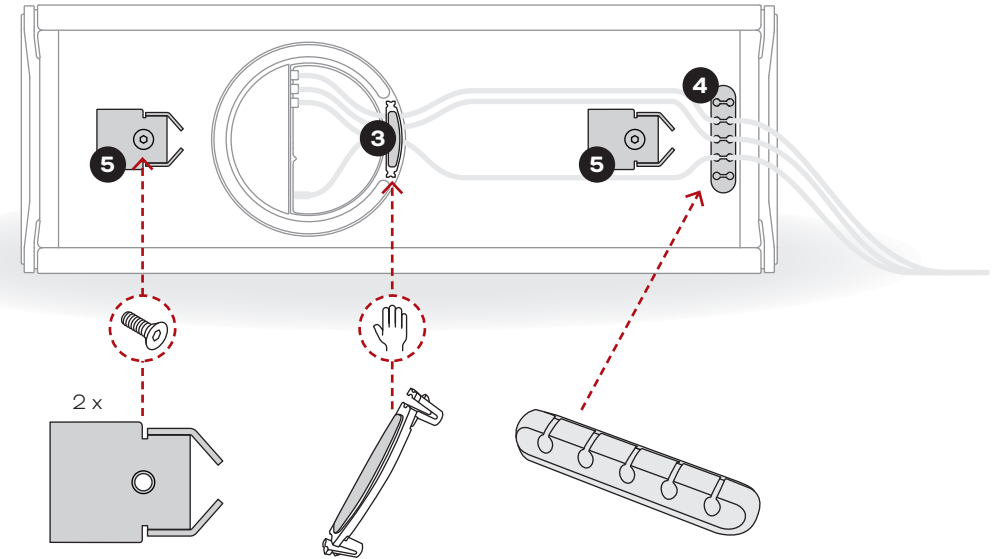
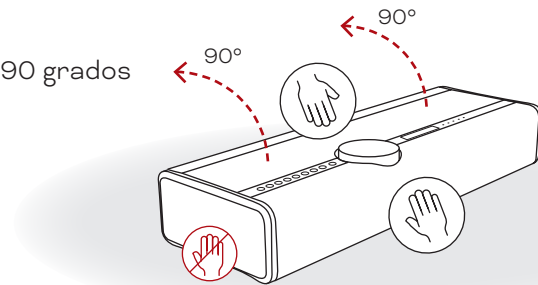
7. COLOCACION DE SU DALI VEGA EN PARED

Orientación vertical (1/2)



- 1 Utilice la plantilla de montaje en pared vertical incluida para marcar los 2 x 2 agujeros de taladro y después monte las dos abrazaderas de pared en la pared.

- 2 Incline el VEGA 90 grados hacia atrás.

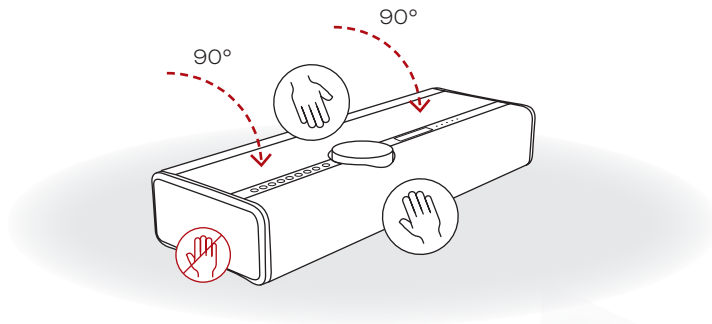


- 3 Retire la pinza del cable, conecte los cables y vuelva a colocar la pinza del cable.
- 4 Coloque el soporte de cable adhesivo y organice los cables con él.
- 5 Monte las abrazaderas de pared VEGA para orientación vertical.

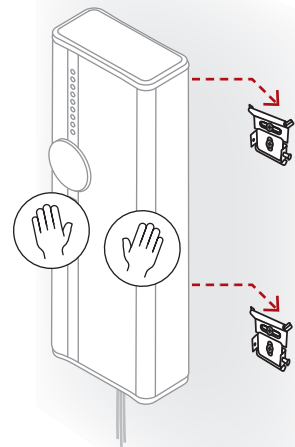
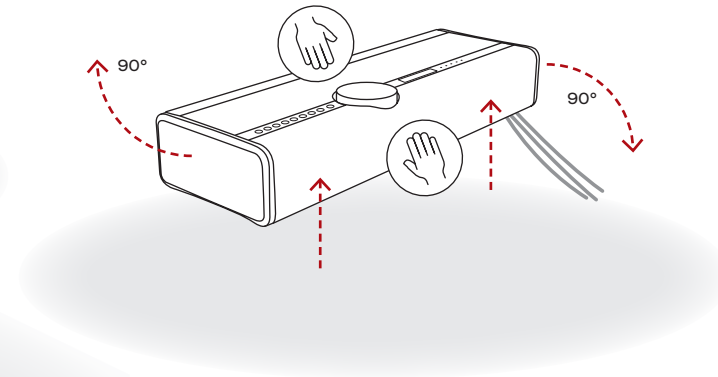
7. COLOCACION DE SU DALI VEGA EN PARED

Orientación vertical (2/2)

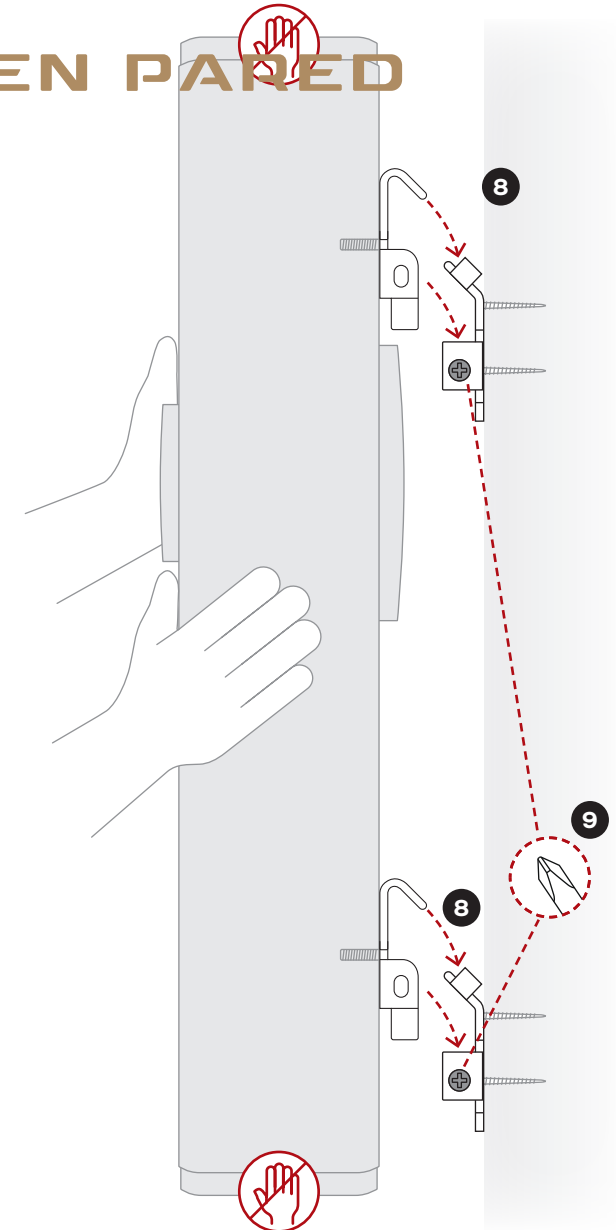
- 6** Gire el VEGA nuevamente sobre sus patas.



- 7** Levante el VEGA, gire su parte inferior (y las abrazaderas de pared) hacia la pared y gínelo hacia la derecha hasta colocarlo en sentido vertical.



- 8** Levante con cuidado el VEGA hasta su lugar y fíjelo a las abrazaderas.
- 9** Apriete los tornillos de seguridad con un destornillador de estrella-Phillips.



8. CONEXIONES CON CABLE

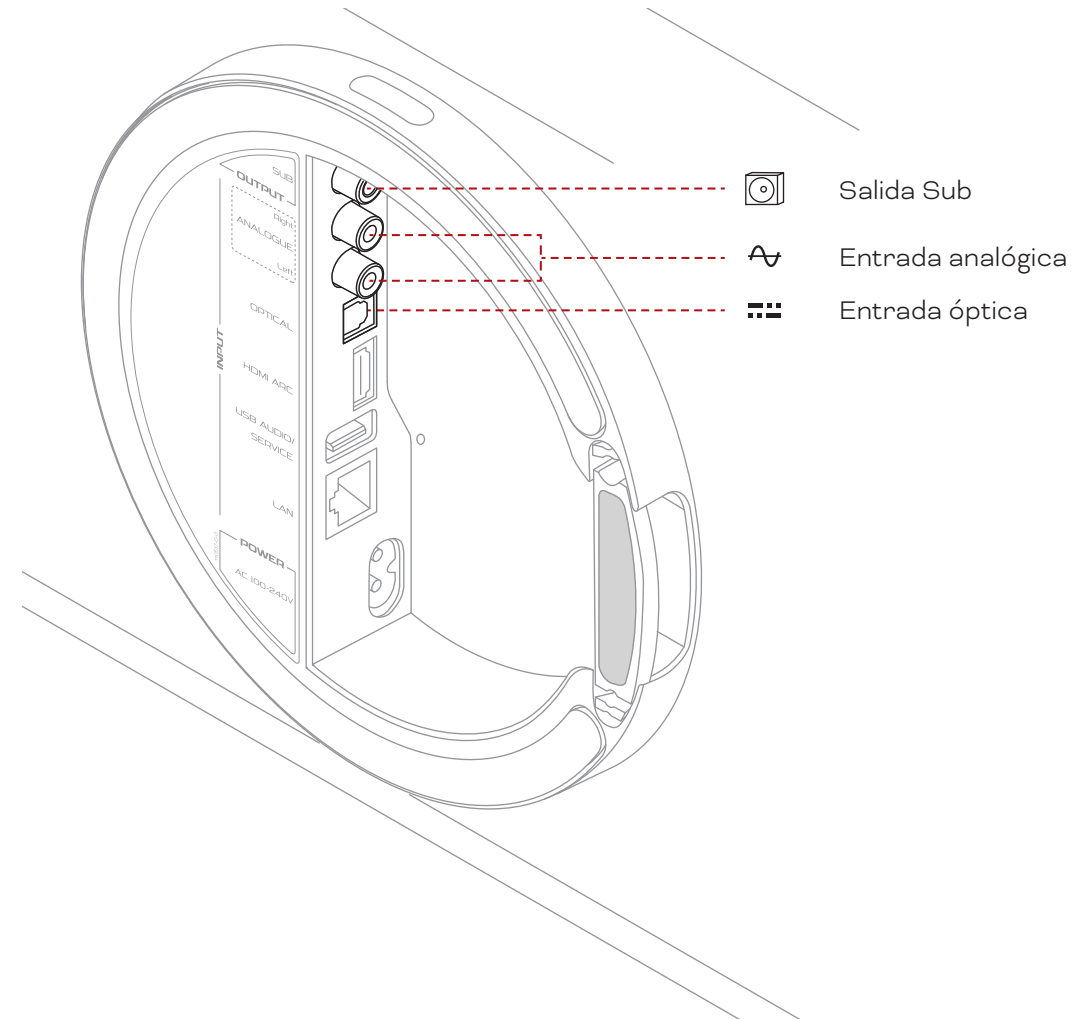
El DALI VEGA le ofrece una amplia gama de opciones de conexión para su integración en el sistema de audio de su casa.

Las tomas de conexión de cable se encuentran en el panel de conexiones e incluyen las siguientes opciones:

Salida Sub: Una única toma de tipo RCA le permite conectar un subwoofer externo para mejorar el rendimiento de graves de su DALI VEGA. La señal de salida del subwoofer es mono y con filtro pasabajos a 120 Hz.

Analogue Input: Un par de conectores RCA stereo permite la conexión de una fuente de audio externa con salidas de nivel de línea. Puede ser un reproductor de CD o un tocadiscos con RIAA incorporado, por ejemplo.

Optical Input: Una toma de audio digital óptica TOSLINK permite la conexión de una fuente de audio externa con una salida digital óptica. Puede ser un televisor o un reproductor de CD, por ejemplo.



8. CONEXIONES CON CABLE

HDMI ARC: Si tiene un televisor con conector HDMI ARC (canal de retorno de audio), conéctelo a la toma HDMI ARC de su DALI VEGA. Es posible que también tenga que elegir altavoces externos para la reproducción de audio y activar la función CEC (Control de dispositivos electrónicos de consumo) en el menú de ajustes de su televisor. Debe ajustar el formato de salida audio del televisor a "PCM" o "Stereo".

Al utilizar HDMI y CEC, podrá usar el control remoto de su televisor para controlar las funciones de volumen, anulación (mute) y espera de su DALI VEGA.

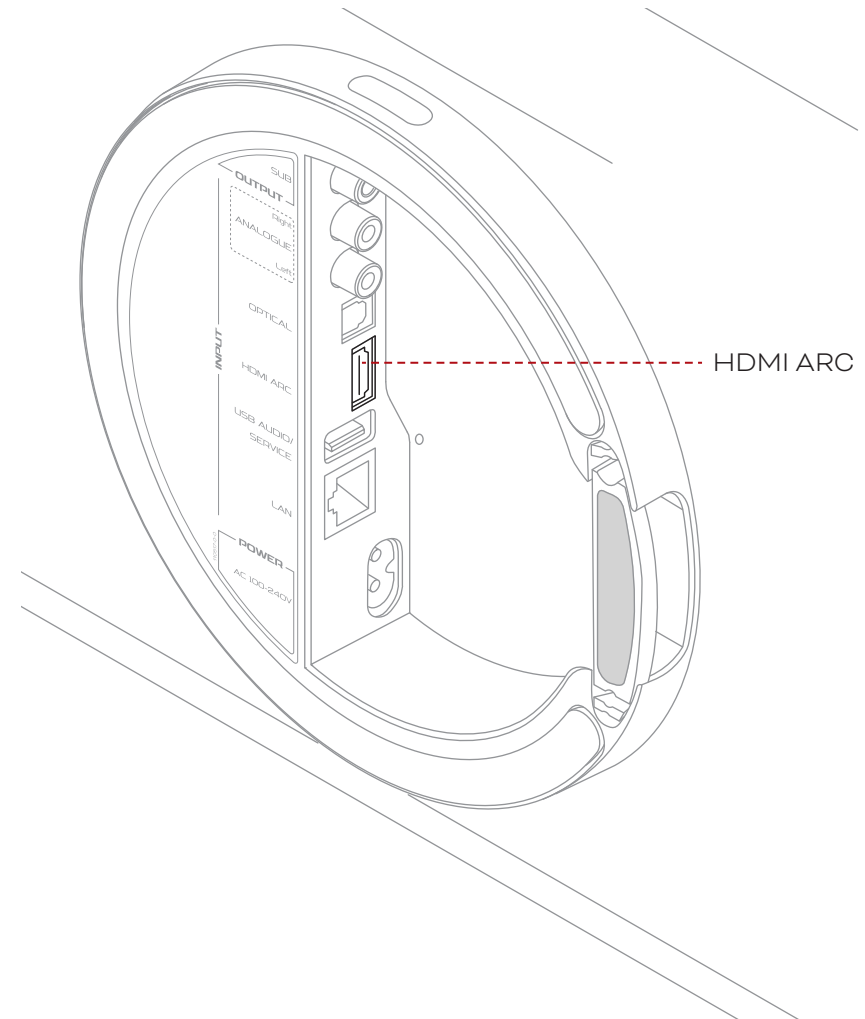
! Si su televisor no es compatible con HDMI ARC o si tiene problemas de compatibilidad con HDMI, le recomendamos que utilice una conexión óptica desde la salida de audio óptica del televisor a su DALI VEGA.

En este caso, aún puede usar la conexión HDMI para controlar el DALI VEGA vía CEC usando el control remoto de su televisor.

Para utilizar el control remoto de su televisor para controlar las funciones básicas del DALI VEGA (volumen, mute, encendido/apagado) vía HDMI, el HDMI CEC debe estar activo en su televisor.

El HDMI CEC tiene diferentes nombres dependiendo de la marca del televisor:

- Samsung: Anynet+
- LG: Simplink
- Sony: Bravia Sync
- Phillips: EasyLink
- Panasonic: Viera Link
- Hitachi: HDMI-CEC



8. CONEXIONES CON CABLE

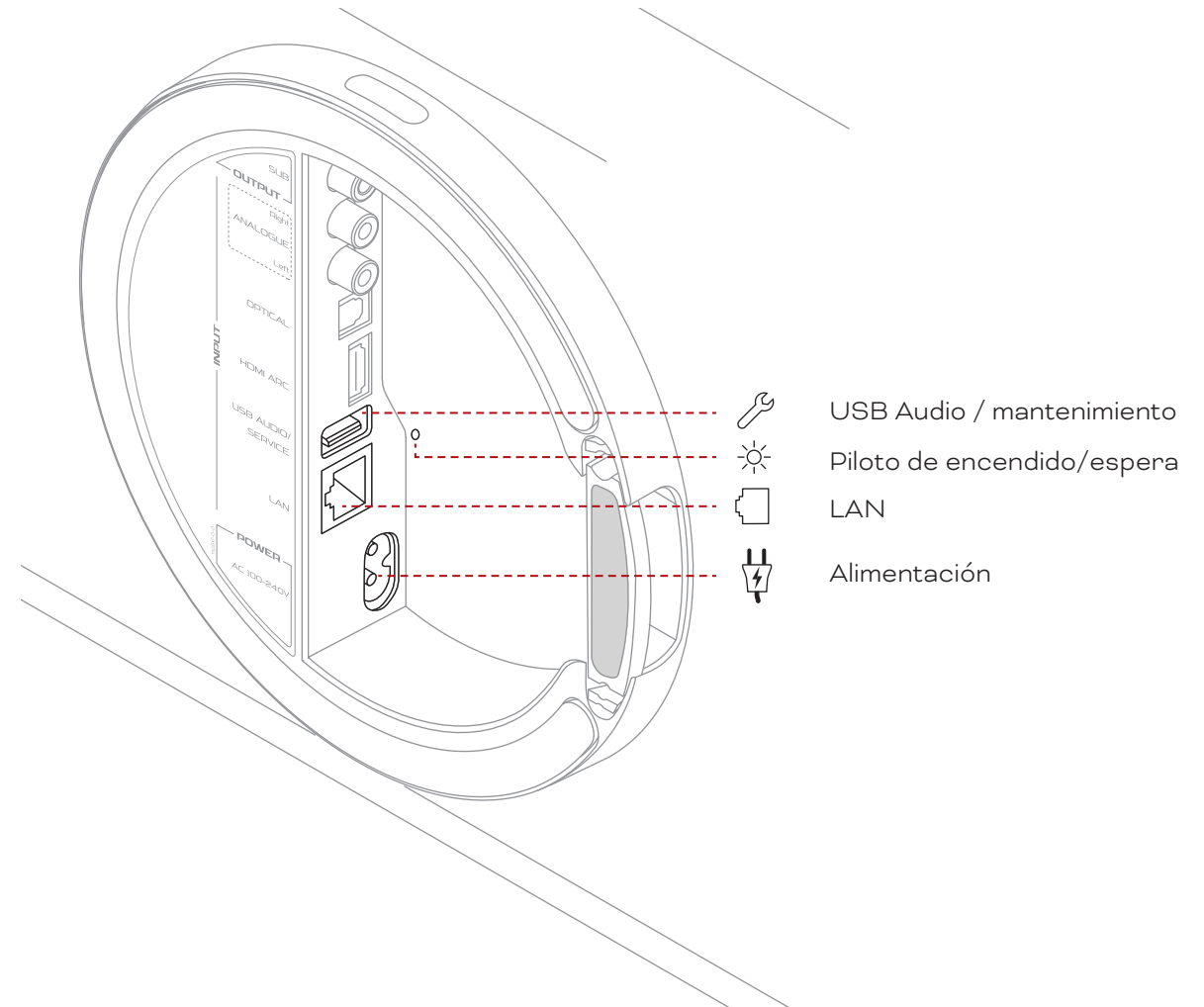
USB Audio / mantenimiento: El conector USB del DALI VEGA tiene dos funciones. En primer lugar, permite que ficheros de música almacenados en soportes de almacenamiento USB, como discos duros y pinchos USB, sean reproducidos por el DALI VEGA y hacerlos accesibles a través de BluOS en la red doméstica a la que está conectado el DALI VEGA. En segundo lugar, el puerto USB del DALI VEGA permite actualizaciones de software y funciones de mantenimiento.

➔ [Puesta en marcha con el BluOS](#)

Piloto de encendido/espera: El piloto de encendido/espera indica el estado de encendido del DALI VEGA.

LAN (red): La toma de red del DALI VEGA le ofrece las funciones de streaming de música de la app BluOS a través de una conexión de red por cable. Si su DALI VEGA va a utilizar una conexión de red por cable, conecte la toma de red a un router o conmutador de red doméstica con un cable de red standard.

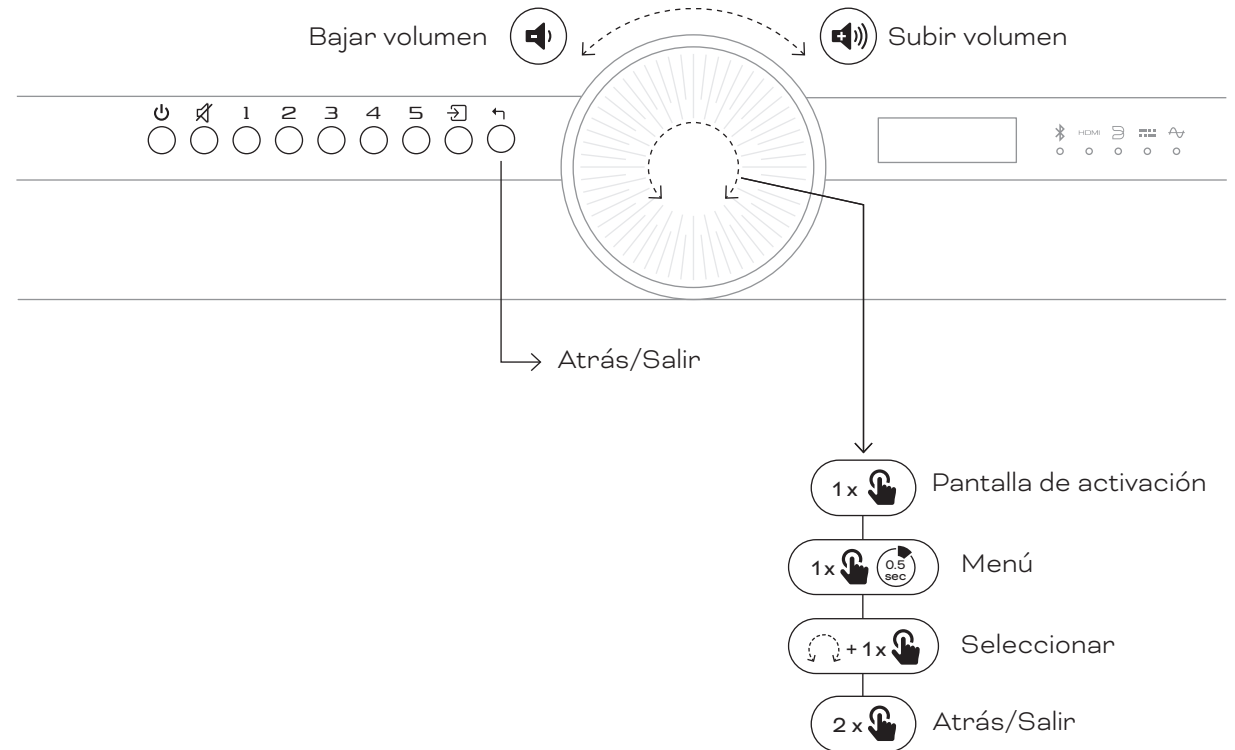
Alimentación: Conecte su DALI VEGA a la red eléctrica mediante el cable de alimentación incluido.



9. CONFIGURACION DEL DALI VEGA

Con su DALI VEGA colocado y conectado a la red eléctrica, a su red inalámbrica y a las fuentes con cable necesarias, puede comenzar la configuración.

La configuración del DALI VEGA se realiza a través de la pantalla de menú. Utilice el **dial de volumen** para elegir las opciones del menú. Pulse sobre el **dial de volumen** para confirmar las selecciones. Utilice el botón **Atrás/Salir** que está a la izquierda del **dial de volumen** para almacenar las opciones seleccionadas y, simultáneamente, retroceder a través de los menús de configuración.



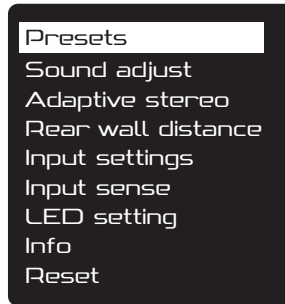
9. CONFIGURACION DEL DALI VEGA

Menús del DALI VEGA

Para acceder a los menús de configuración del DALI VEGA, mantenga pulsado el centro del **dial de volumen** una vez. En la pantalla aparecerá el nivel superior de los menús de configuración. Gire el **dial de volumen** para desplazarse hacia arriba y abajo por el menú y toque nuevamente en el centro del dial de volumen para elegir una opción de menú y acceder a su submenú.

En los párrafos siguientes le explicamos las funciones avanzadas disponibles en cada pestaña del menú de configuración.

! Si no realiza ninguna selección en un menú en 10 segundos, la pantalla del DALI VEGA volverá a la inicial.



Presets

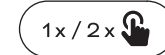
El menú **Presets** le muestra y permite la activación de los presets creados en la app BluOS. Puede asignar un total de 10 presets BluOS (a través de la app BluOS) a los cinco botones de preset que están a la izquierda del dial de volumen.

Presets 1 a 10

Los botones **Preset** permiten la selección inmediata de cualquier elemento almacenado, tales como emisoras de radio o servicios de streaming.

Una sola pulsación activa los presets 1 a 5.
Una doble pulsación activa los presets 6 a 10.

En el menú **Presets** puede encontrar cualquier preset BluOS adicional almacenado, donde podrá activar hasta 40 presets. Puede asignar cualquier fuente seleccionada activa (como una emisora de radio por Internet o un servicio de streaming) a uno de los botones Preset para cargarla rápidamente.



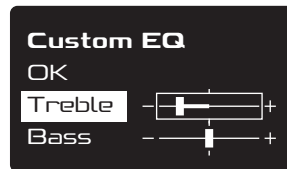
→ [Cómo añadir o eliminar un Preset](#)

9. CONFIGURACION DEL DALI VEGA

Sound adjust (Ajuste de sonido)

El menú **Sound adjust** le permite elegir audio **Direct** (sonido DALI VEGA por defecto) o **Custom EQ** (ecualización).

Si elige la opción **Custom EQ**, una pantalla le ofrecerá el ajuste de graves y agudos, +/-10 dB, en pasos de 2 dB. Ajuste los graves y los agudos usando el **dial de volumen**.

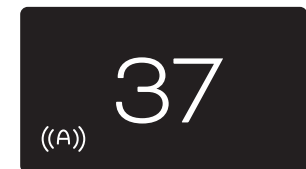


DALI Adaptive Stereo Enhancement™

El DALI VEGA incorpora la tecnología Adaptive Stereo Enhancement (ASE) desarrollada por DALI que permite mejorar la experiencia stereo de los altavoces compactos al hacer que el sonido sea más expansivo, inmersivo y atractivo. Este Adaptive Stereo Enhancement de DALI está activo por defecto, pero lo puede desactivar si le interesa.

El menú **Adaptive stereo** le permite activar o desactivar este Adaptive Stereo Enhancement. Elija la opción que quiera usando el **dial de volumen**.

- ! Cuando el Adaptive Stereo Enhancement esté activo será indicado con el logo ASE ((A)) en la parte inferior izquierda de la pantalla principal.

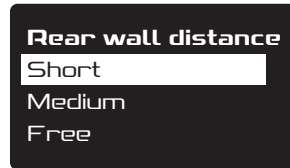


9. CONFIGURACION DEL DALI VEGA

Rear wall distance (Distancia a la pared trasera)

El sonido de su DALI VEGA, como el de cualquier altavoz, se ve afectado por la presencia de los límites próximos de la sala o habitación. El menú **Rear wall distance** le permite ajustar el sonido del DALI VEGA en función de su distancia a la pared.

Utilice el **dial de volumen** para elegir la opción que mejor se adapte a la distancia de su DALI VEGA desde la parte trasera.

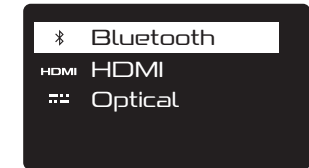


- ! **Short:** Menos de 10 cm (3,9 pulgadas) de distancia a la pared trasera
- Medium:** Entre 10 - 50 cm (3,9 - 19,6 pulgadas) de distancia a la pared trasera
- Free:** Más de 50 cm (19,6 pulgadas) de distancia a la pared trasera

El menú **Rear wall distance** estará desactivado cuando el DALI VEGA esté montado en la pared.

Input settings (Ajustes de entrada)

El menú **Input settings** permite la configuración de opciones específicas para las entradas Bluetooth, HDMI y óptica.



Las opciones son:

- Bluetooth:** Libera una conexión y borra pareamientos.
- HDMI:** Retardo del audio.
- Optical:** Detección de señal y detección de portadora.

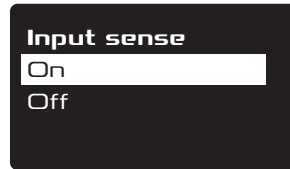
- ! El retardo del audio HDMI permite optimizar la sincronización del movimiento de labios de las imágenes del televisor.

La detección de señal de entrada óptica y la detección de portadora permiten que el DALI VEGA elija automáticamente su entrada óptica cuando la fuente óptica simplemente está activa o solo cuando hay una señal de audio.

9. CONFIGURACION DEL DALI VEGA

Input sense (detección de entrada)

El menú **Input sense** permite que el DALI VEGA se encienda desde el modo de espera tan pronto como haya una señal en cualquier entrada y se apague automáticamente tras 20 minutos de que no haya ninguna señal de entrada presente. Este **Input sense** puede ser activado o desactivado. Elija la opción que quiera usando el **dial de volumen**.



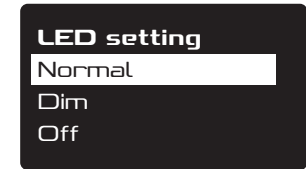
- ! Las entradas analógica y óptica son seleccionadas automáticamente cuando es detectada una señal de audio, siempre que Input sense esté activada (**On**) y que el VEGA no esté reproduciendo una señal en ese momento.

Las entradas Bluetooth y BluOS serán seleccionadas automáticamente en cuanto pulse el botón de reproducción de la fuente.

La entrada HDMI ARC será seleccionada automáticamente en cuanto encienda un televisor conectado si el VEGA no está reproduciendo una señal.

LED setting (Ajuste de LED)

El menú **LED setting** le permite ajustar el brillo de los pilotos indicadores del DALI VEGA. Elija la opción que quiera usando el **dial de volumen**.

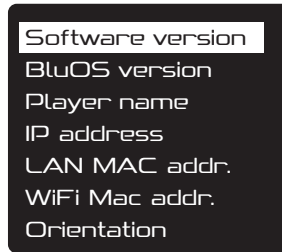


- ! Si este menú está ajustado a **Off**, los pilotos del DALI VEGA estarán siempre apagados y la selección de fuente activa aparecerá en la esquina inferior derecha de la pantalla.

9. CONFIGURACION DEL DALI VEGA

Info (Información)

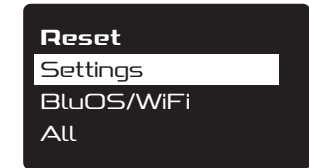
El menú **Info** le muestra información del sistema que puede ser útil para solucionar problemas. Utilice el **dial de volumen** para elegir y visualizar la información requerida y salga del menú usando el botón **Atrás/Salir**.



Reset (Reinicio)

El menú **Reset** le permite eliminar los ajustes de usuario del DALI VEGA.

Utilice el **dial de volumen** para elegir la opción que quiera y salga del menú usando el botón **Atrás/Salir**.



- ! La opción **Settings** reinicia todos los ajustes del usuario, incluidos los pareamientos de Bluetooth, pero sin incluir los presets BluOS y la configuración Wi-Fi.

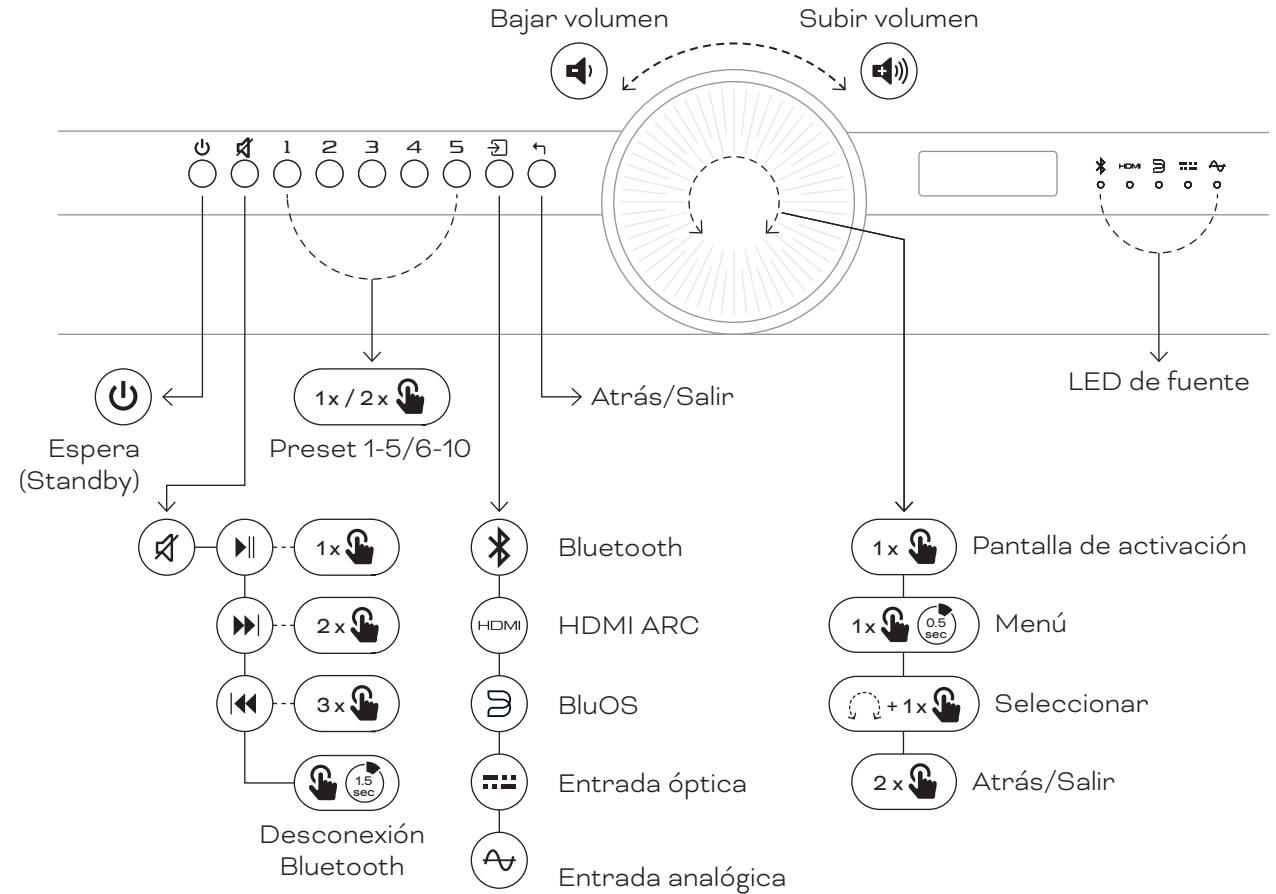
La opción **BluOS/Wi-Fi** elimina los presets BluOS almacenados y reinicia la conexión Wi-Fi, devolviendo al DALI VEGA al modo BluOS Hotspot, listo para una nueva conexión Wi-Fi.

La opción **All** combina las otras dos opciones de reinicio.

10. SU DALI VEGA EN FUNCIONAMIENTO

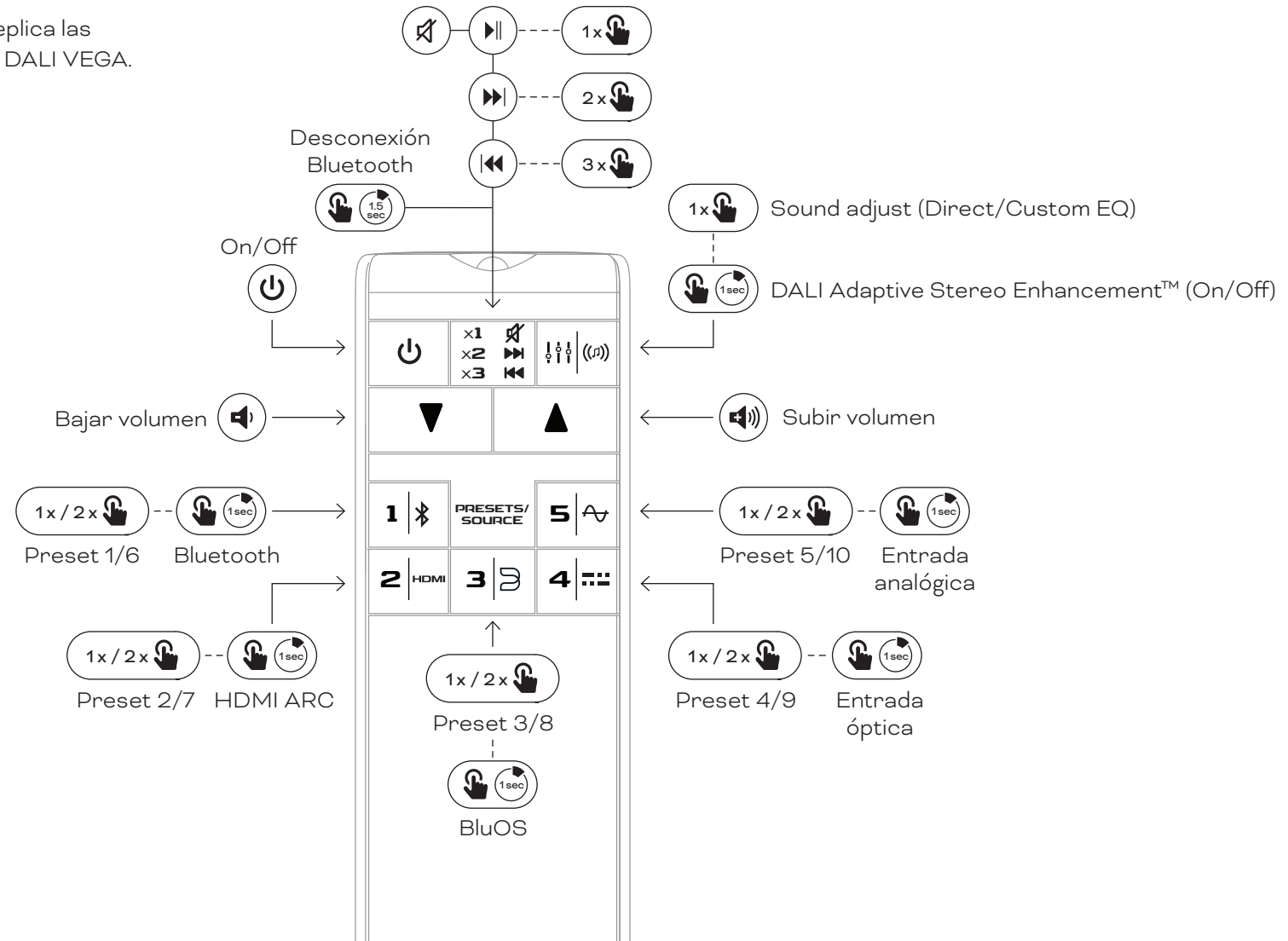
Con su DALI VEGA colocado, conectado y configurado, es hora de disfrutar de su rendimiento con su música preferida.

Para controlar su DALI VEGA, puede utilizar los **botones** y el **dial de volumen** de la propia unidad o su **control remoto**. En la página siguiente detallamos la información del control remoto y sus botones.



10. SU DALI VEGA EN FUNCIONAMIENTO

El control remoto del DALI VEGA replica las funciones más utilizadas del altavoz DALI VEGA.




10. SU DALI VEGA EN FUNCIONAMIENTO

Botones y dial de volumen DALI VEGA

De izquierda a derecha, los botones DALI VEGA ofrecen las siguientes funciones:

Botón Standby (espera)

Pulse el botón Standby para activar su DALI VEGA o devolverlo al modo de espera.

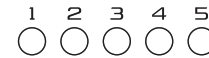
 El consumo del DALI VEGA en el modo de espera es inferior a 0,5 vatios.

Botón Mute (anulación)

Pulse el botón **Mute** para anular o restaurar la señal audio. Si la fuente activa ofrece controles de reproducción, el botón **Mute** controlará sus funciones: púlselo una vez como

Reproducción/Pausa, dos como **Salto adelante** y tres como **Saltar atrás**.

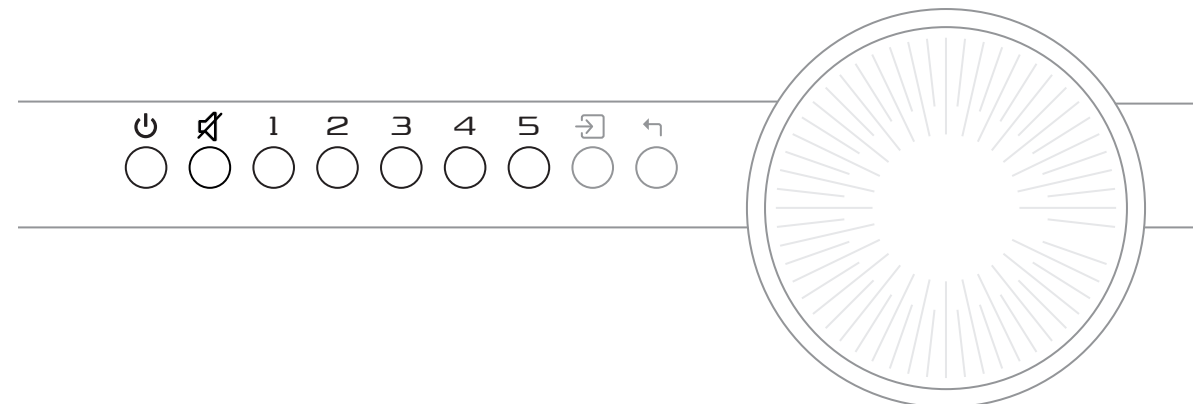
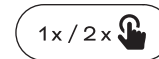
Mantenga pulsado el botón **Mute** para la desconexión Bluetooth.



Botones Preset 1 a 10

Los botones **Preset** permiten la selección inmediata de cualquier elemento almacenado, tales como emisoras de radio o servicios de streaming.

Una sola pulsación activa los presets 1 a 5.
Una doble pulsación activa los presets 6 a 10.



10. SU DALI VEGA EN FUNCIONAMIENTO

↔ **Botón Input (entrada)**

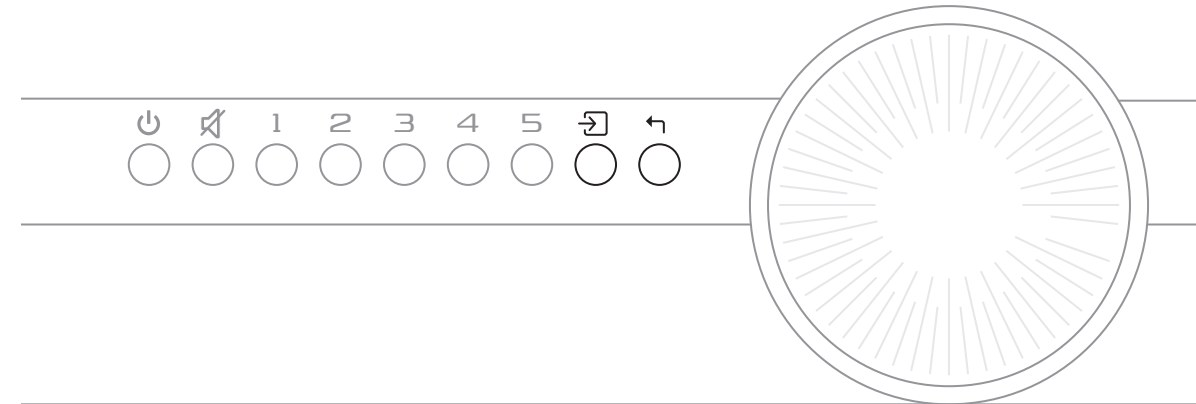
La pulsación del botón **Input** le permite desplazarse en el siguiente orden por las entradas de señal disponibles para el DALI VEGA y elegir las:

-  Bluetooth
-  HDMI ARC
-  BluOS
-  Entrada óptica
-  Entrada analógica

! La primera pulsación del botón Input le mostrará la selección de fuente de señal activa. Las siguientes pulsaciones harán que vaya alternando entre las fuentes.

↶ **Botón Atrás/Salir**

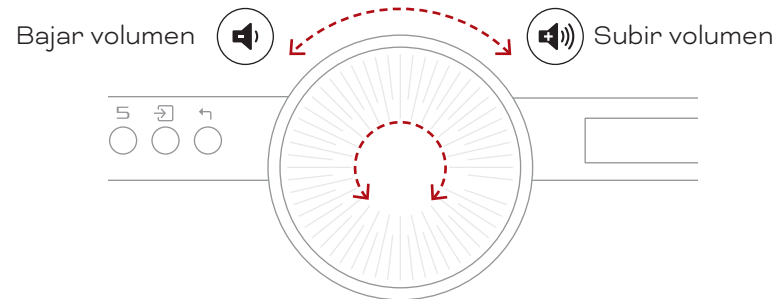
El pulsar el botón **Atrás/Salir** hará que retroceda por los niveles del menú.



10. SU DALI VEGA EN FUNCIONAMIENTO

Dial de volumen

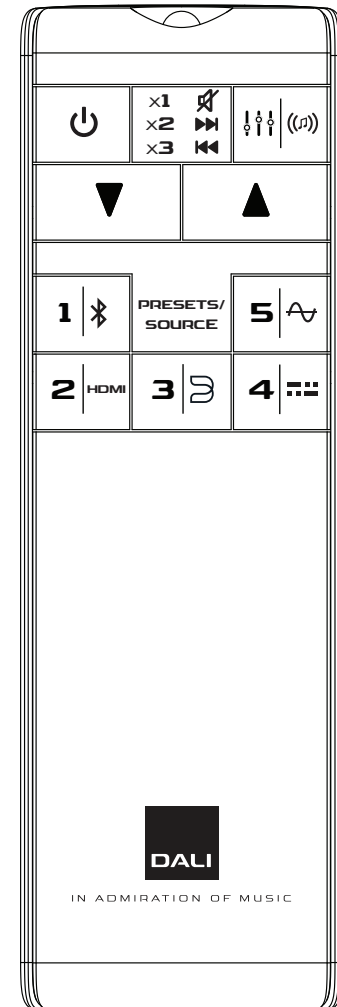
Cuando su DALI VEGA está encendido y en cualquier modo que no sea el menú de configuración, el **dial de volumen** controlará el volumen. Gírelo a la derecha para aumentar el volumen y a la izquierda para reducirlo.



Control remoto

El control remoto del DALI VEGA replica las funciones más utilizadas del altavoz DALI VEGA.

En la página 24 detallamos la información del control remoto del DALI VEGA y sus botones.



11. CONEXION BLUETOOTH

11.1 Pareamiento Bluetooth

Para conectar su dispositivo Bluetooth al DALI VEGA:

1. Encienda el DALI VEGA.
2. Elija la entrada Bluetooth usando el botón Input.
3. El DALI VEGA ahora ya estará listo para el pareamiento Bluetooth.
 - a. Si el piloto Bluetooth parpadea, eso indicará que no hay ningún dispositivo conectado en ese momento.
 - b. Si el piloto de Bluetooth está iluminado fijo, eso querrá decir que hay un dispositivo conectado. Para desconectar el dispositivo conectado, utilice la función de desconexión Bluetooth.
 - c. Sólo puede conectar un único dispositivo Bluetooth a la vez.
 - d. Inicie el proceso de pareamiento Bluetooth en su dispositivo. Una vez completado este pareamiento, comenzará la reproducción musical desde su dispositivo conectado vía Bluetooth.

El DALI VEGA se conectará automáticamente al último dispositivo utilizado cuando elija Bluetooth si es que previamente ha sido pareado un dispositivo con el DALI VEGA y se encuentra dentro de su rango.

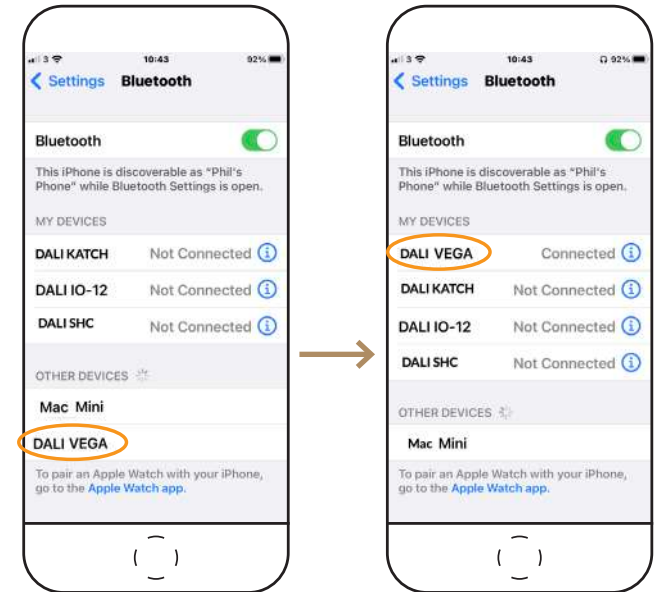
El DALI VEGA no iniciará la reproducción automática. Deberá iniciar la reproducción desde el dispositivo conectado o pulsando brevemente el botón Mute en el DALI VEGA o el control remoto.

11.2 Desconexión Bluetooth

Si no puede parear su dispositivo con el DALI VEGA:

1. Mantenga pulsado el botón de desconexión Bluetooth (botón Mute) hasta que se escuche el tono de desconexión Bluetooth y el piloto Bluetooth (piloto 1) comience a parpadear.
2. El dispositivo conectado estará ahora desconectado y podrá comenzar de nuevo con el pareamiento.
3. También puede activar la desconexión Bluetooth dentro de **Input settings** -> **Bluetooth** en el sistema de menú.

! Puede parear hasta 8 dispositivos Bluetooth con el DALI VEGA.



! Si cambia el nombre del DALI VEGA en la app BluOS, el nombre en Bluetooth cambiará en consecuencia.












12. CUIDADOS Y MANTENIMIENTO

Su DALI VEGA no necesita ningún mantenimiento especial más allá del tipo de cuidados que le daría a otros dispositivos de relativo valor de su hogar. Use un paño suave y seco para limpiar el polvo de la carcasa.

DALI no recomienda el uso de ningún líquido o aerosol de limpieza.

13. RESOLUCION DE PROBLEMAS DEL BLUOS

El piloto multicolor que está junto al logo BluOS también indica el estado del BluOS del DALI VEGA:

	Código de los indicadores	Descripción
	Iluminado en rojo, después parpadeo en verde	Encendido / reinicio de la unidad
	Iluminado en verde	Modo Hotspot
	Parpadeo en verde	Conexión a la red
	Pulsación en blanco	Actualización de software disponible
	Iluminado en rojo	Modo de actualización
	Parpadeo alternativo rojo y verde	Actualización
	Parpadeo en azul	Modo de anulación (Mute)
	Iluminado en blanco	Indexación
	Iluminado en azul	Conectado a la red – listo para su uso con la app BluOS
	Parpadeo en rojo	Reset a valores de fábrica en marcha
	Iluminado en púrpura	Time out del modo Hotspot

Para más información, consulte la página de soporte técnico de Bluesound:

 [Bluesound support page](#)

14. ACTUALIZACION DE FIRMWARE

De vez en cuando, es posible que esté disponible un firmware actualizado para su DALI VEGA a través de la app BluOS. El firmware actualizado puede servir para mejorar el rendimiento y la fiabilidad o para incluir nuevas funciones.



15. CONSUMO

Modo Offline

Mantén pulsado el botón de standby durante 5 segundos. Esto desactivará todas las conexiones y reducirá el consumo al mínimo, hasta que vuelvas a reactivar el VEGA pulsando de nuevo el botón de espera.

Modo Networked standby

Este modo de espera en red se activa automáticamente si no es reproducida ninguna señal de audio ni realizas ninguna selección durante 20 minutos. En este modo, cualquier acción que realices, incluyendo la reproducción musical desde cualquier fuente conectada, activará automáticamente el VEGA.

Desactivación de la Wi-Fi

Las funciones de red inalámbrica serán desactivadas automáticamente en cuanto conectes un cable Ethernet al VEGA.

Modo	Consumo	Activación	Desactivación
Activo (sin audio)	9,2 W	(Consulta “modo Networked standby”)	(Consulta “modo Networked standby”)
Networked standby (HiNA)	2,9 W	Automáticamente después de 20 minutos sin señal de audio ni operaciones del usuario	Con cualquier operación del usuario, incluyendo la puesta en marcha de la reproducción
Offline	< 0,7 W	Manualmente, manteniendo pulsado el botón standby	Manualmente, pulsando el botón standby

16. ESPECIFICACIONES DEL DALI VEGA

DALI VEGA	
Rango de frecuencias	32 - 22.700 Hz, ±3 dB
SPL máximo @ 1 m	110 dB
Frecuencia de separación o crossover	2.400 Hz
Principio de separación o crossover	Crossover activo de 2 vías y 8 canales
Cabezal(es) de agudos	4 × convexo suave de 25 mm
Diafragma de frecuencias agudas	Tejido suave
Cabezal(es) de medios/graves	4 × 4½ pulgadas
Diafragma de frecuencias medias/graves	Cono de papel y fibra de madera
Tipo de recinto acústico	Recinto masivo afinado 2 x radiadores pasivos rectangulares (3 × 6 pulgadas)
Frecuencia de afinación del radiador pasivo	32 Hz
Tipo de amplificador	Clase D de carga conectada en puente (BTL)
Potencia de salida continua del amplificador	8 × 50 W RMS
Potencia de salida total del amplificador	400 W
Conexiones de entrada	1 × HDMI ARC 1 × Entrada analógica (RCA no balanceada, stereo) 1 × Entrada óptica (Toslink, stereo) 1 × USB audio/mantenimiento (disco duro o pincho USB)
Conexiones de salida	Salida Sub Alimentación USB (5 V/1 A)

DALI VEGA	
Filtro pasabajos salida Sub	120 Hz
Formatos de entrada digital	PCM, stereo
Entrada inalámbrica	Bluetooth BluOS Spotify Connect Tidal Connect Apple AirPlay 2
Códecs de entrada Bluetooth	AAC aptX aptX HD
Códecs de entrada BluOS	MP3 AAC (M4A, MP4) WMA OGG FLAC ALAC (M4A) WMA-L MQA WAV AIFF (AIF, AIFC) PCM DSD256 (conversión de DSD a PCM)
Formatos de audio de entrada admitidos	Audio de 16 - 24 bits Frecuencia de muestreo de 32 / 44,1 / 48 / 96 / 192 kHz
Ubicación recomendada	De pie: Espacio libre De pie: Cerca de la pared De pie: Cerca de la esquina/pared Encastrado: Horizontal Encastrado: Portrait

Continúa en la página siguiente

16. ESPECIFICACIONES DEL DALI VEGA

DALI VEGA

Funciones	Adaptive Orientation Adjustment (Ajuste de orientación adaptable) Adaptive Stereo Enhancement Hasta 40 presets programables Sound adjust (Direct/Custom EQ) Rear wall distance (Distancia a la pared trasera) Desconexión/borrado Bluetooth Retardo del audio HDMI Detección de señal/portadora óptica Input sense (detección de entrada) LED setting (Ajuste de LED) Reset a valores de fábrica En espera (Encendido automático) Anulación (Mute) Encendido/apagado Volumen Selección de fuente
Consumo máximo	250 W
Consumo en espera	≤ 3 W
Dimensiones (A × L × P)	143 x 683 x 243 mm 5,63 x 26,90 x 9,57 pulgadas
Dimensiones del embalaje (A × L × P)	330 x 870 x 200 mm 13,0 x 34,25 x 7,87 pulgadas
Peso	8,7 kg 19,18 lb
Peso embalado	13,3 kg 29,32 lb
Acabado	Dark Oak (Roble oscuro) Natural Oak (Roble natural)

DALI VEGA

Accesorios incluidos	1 x Control remoto 2 x Pilas AAA (para el control remoto) 2 x Abrazaderas de pared (pared) 2 x Abrazaderas de pared (VEGA) 2 x Tornillos para abrazaderas de pared VEGA 1 x Llave Allen de 5 mm (M6) 1 x Portacables 1 x Cable de alimentación 1 x Tarjeta de registro del producto 1 x Guía de puesta en marcha 2 x Plantilla para montaje en pared 1 x Manual de seguridad
----------------------	---

Todas las especificaciones técnicas están sujetas a cambios sin previo aviso.

Avisos legales

Los siguientes términos son marcas comerciales o marcas registradas de sus respectivos propietarios:

Bluetooth®	Bluetooth SIG, Inc.
BluOS™	Bluesound International, una división de Lenbrook Industries Limited
HDMI®	HDMI Licensing Administrator, Inc.
Wi-Fi®	Wi-Fi Alliance

DALI VEGA

MANUALE

VERSIONE 1.0 MARZO 2026
ITALIANO



DALI



CONTENUTO

1.	Introduzione	140
2.	Contenuto della confezione.....	141
3.	Apertura della confezione	142
4.	Connessione Wi-Fi e configurazione BluOS	143
5.	Posizionamento dell'unità DALI VEGA	144
6.	Gestione dei cavi.....	146
7.	Montaggio a parete dell'unità DALI VEGA.....	147
8.	Connessioni cablate	152
9.	Configurazione dell'unità DALI VEGA	155
10.	L'unità DALI VEGA in uso.....	161
11.	Connessione Bluetooth.....	166
12.	Cura e supporto	167
13.	Risoluzione dei problemi BluOS.....	167
14.	Aggiornamento del firmware.....	168
15.	Potenza assorbita	169
16.	Specifiche tecniche dell'unità DALI VEGA	170

1. INTRODUZIONE

Congratulazioni per aver acquistato il nuovo DALI VEGA – un sistema audio all-in-one all'avanguardia e dal design elegante, progettato per essere il punto di riferimento in termini di prestazioni dei dispositivi musicali per la casa. DALI VEGA coniuga una qualità sonora favolosa a un'immensa versatilità, insieme alla facilità d'uso intuitiva e all'esclusivo design danese, lussuoso e accattivante.

Il presente manuale d'uso descrive le operazioni di configurazione e il funzionamento dell'unità DALI VEGA.

Prima di procedere alla configurazione e utilizzo del DALI VEGA, ti consigliamo di leggere il manuale.

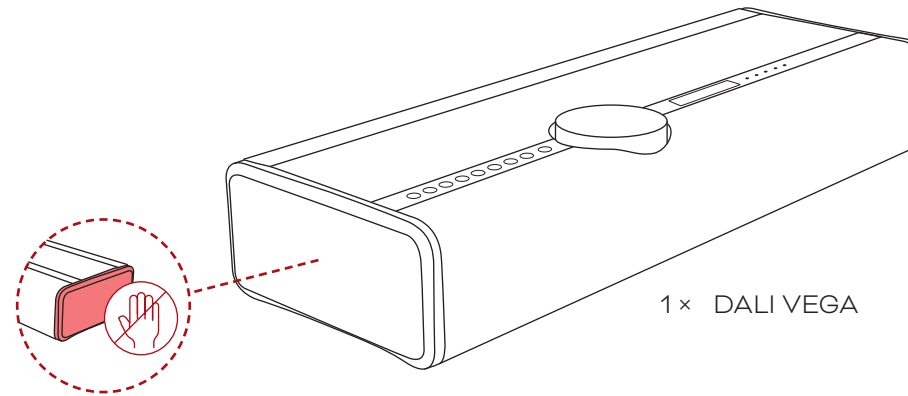
Il manuale inizia con una descrizione del contenuto dell'imballo e prosegue descrivendo il posizionamento, i collegamenti, la configurazione e l'uso quotidiano dell'unità DALI VEGA.



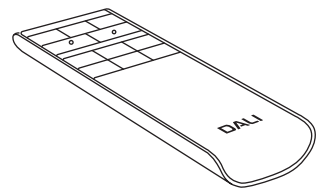
2. CONTENUTO DELLA CONFEZIONE

Di seguito viene illustrato il contenuto della confezione del DALI VEGA.

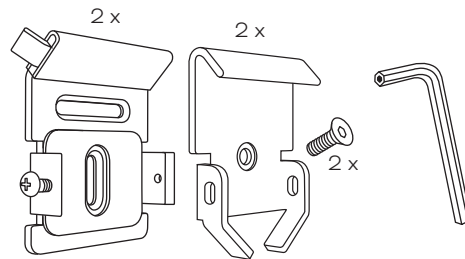
! Evitare di toccare i driver del radiatore passivo posti su entrambe le estremità dell'unità DALI VEGA.



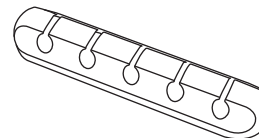
1× DALI VEGA



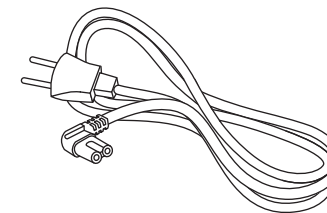
1× Telecomando
2× Batterie tipo AAA
(per il telecomando)



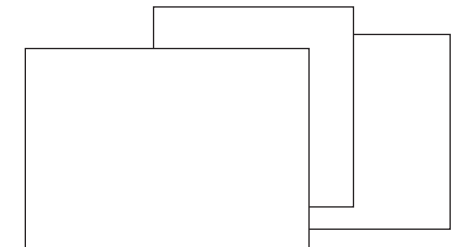
2× Staffe da parete (lato muro)
2× Staffe da parete (lato VEGA)
2× Viti per le staffe da parete lato VEGA
1× Chiave a brugola M6



1× Passacavi



1× Cavo di alimentazione

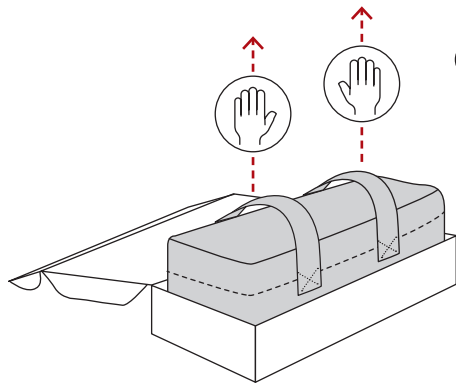
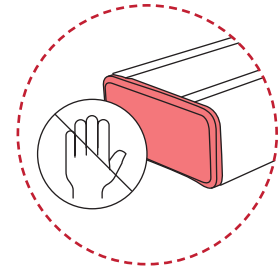


1× Scheda di Registrazione Prodotto
1× Guida Rapida
2× Dima per il montaggio a parete
1× Manuale delle norme di sicurezza

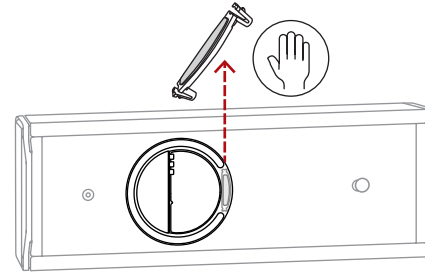
3. APERTURA DELLA CONFEZIONE

! IMPORTANTE!

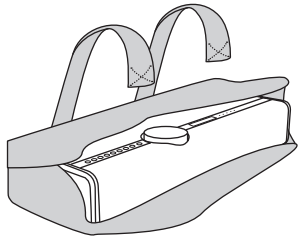
Durante il disimballaggio, assicurarsi di non toccare i radiatori passivi.



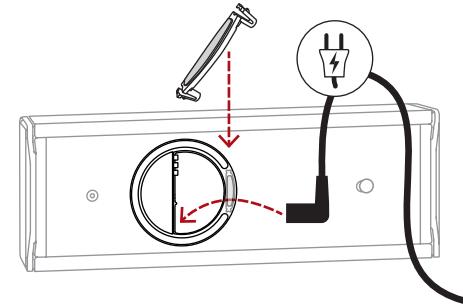
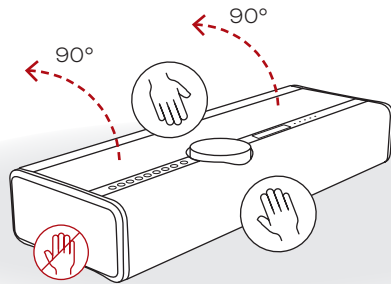
- 1 Aprire il coperchio della scatola e utilizzare entrambe le cinghie per sollevare l'unità VEGA ed estrarla dalla scatola.



- 2 Allentare le cinghie in velcro e rimuovere la copertura.

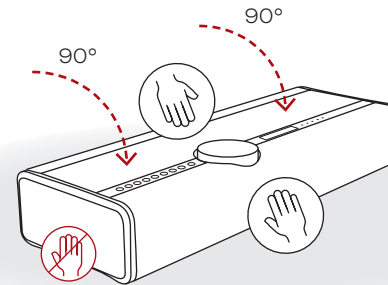


- 3 Inclinare di 90 gradi l'unità VEGA verso il lato posteriore. Aprire e rimuovere la clip del cavo.



- 4 Collegare il cavo di alimentazione e tutti gli eventuali cavi aggiuntivi.

- 5 Fissare la clip del cavo, quindi collocare nuovamente l'unità VEGA in posizione eretta.



- 6 L'unità VEGA è ora pronta per la connessione Wi-Fi.

4. CONNESSIONE WI-FI E CONFIGURAZIONE BLUOS

1 Attivare il DALI VEGA

Attendere che il LED BluOS diventi di colore verde fisso, a indicare la modalità “Hotspot”.

2 Scaricare l'app BluOS

Con il proprio dispositivo smartphone o tablet, scaricare e aprire l'app BluOS.



3 Aggiungere l'unità DALI VEGA alla propria rete

La procedura guidata “Aggiungi un lettore” condurrà attraverso i passaggi necessari per completare la configurazione di BluOS.



Scaricare l'app dalla pagina bluesound.com/downloads

La configurazione iniziale della rete viene effettuata tramite l'app BluOS installata su un dispositivo smartphone o tablet. Prima di iniziare le operazioni, assicurarsi di aver scaricato e installato l'app e di avere a portata di mano il dispositivo smartphone o tablet.

! Se si utilizza un dispositivo iOS, DALI VEGA può essere connesso alla propria rete Wi-Fi anche tramite l'opzione “Configura nuovo altoparlante AirPlay”, disponibile nelle impostazioni Wi-Fi del dispositivo iOS.



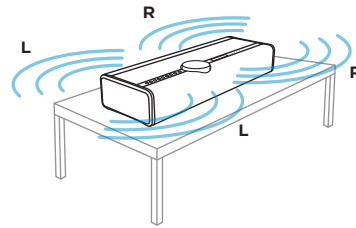
! Se la presa LAN (rete) dell'unità DALI VEGA è stata collegata a un router domestico o a uno switch di rete, la connessione Wi-Fi non sarà necessaria. L'unità DALI VEGA sarà disponibile per la configurazione nella app BluOS Controller.

→ [Pagina di supporto Bluesound](#)

5. POSIZIONAMENTO DELL'UNITÀ DALI VEGA

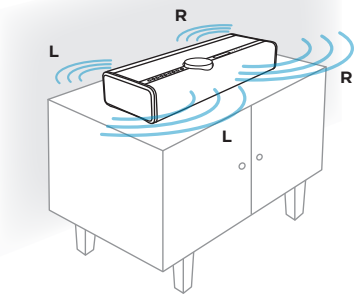
Le eccellenti doti di versatilità offerte dall'unità DALI VEGA le consentono di poter essere installata in un'ampia varietà di ambienti domestici. Ad esempio, può essere collocata su un tavolo, un mobile, uno scaffale o il davanzale di una finestra. Inoltre, l'unità DALI VEGA può essere montata a parete sia in orizzontale che in verticale, mediante l'apposita staffa da parete DALI VEGA. Per quanto riguarda il posizionamento dell'unità DALI VEGA, gli unici requisiti sono l'accesso alla rete elettrica e a un router o switch di rete, nel caso in cui si preferisca optare per una connessione di rete cablata.

L'unità DALI VEGA adatterà automaticamente il routing stereo agli altoparlanti anteriori e posteriori in base a come viene collocata, così da adeguarsi alle diverse posizioni consentite: posizione eretta, orizzontale o verticale. Anche l'orientamento del display ruoterà automaticamente.



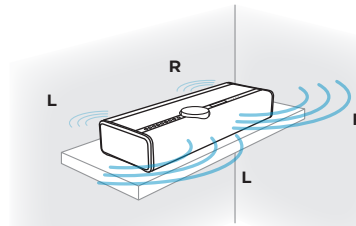
1 Posizione eretta: Spazio libero

L'emissione sonora dell'unità DALI VEGA avviene da entrambi i lati: frontale e posteriore.
Distanza raccomandata dalla parete posteriore: **Nessuna parete.**



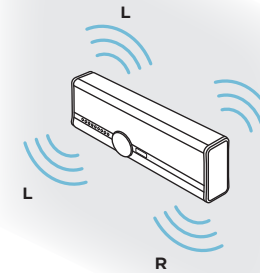
2 Posizione eretta: Vicino alla parete

L'unità DALI VEGA opera con maggiore enfasi sulla parte frontale rispetto a quella posteriore.
Distanza raccomandata dalla parete posteriore: **Media.**



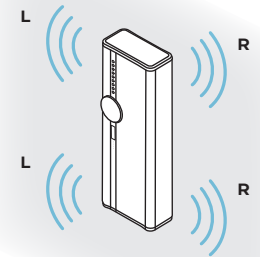
3 Posizione eretta: Vicino a un angolo/parete

In questa modalità l'emissione dell'unità DALI VEGA risulta ancora più attenuata dal lato posteriore.
Distanza raccomandata dalla parete posteriore: **Breve.**



4 A parete: Orizzontale

L'emissione sonora dell'unità DALI VEGA avviene da entrambi i lati.
La distanza dalla parete posteriore viene impostata automaticamente.



5 A parete: Verticale

L'emissione sonora dell'unità DALI VEGA avviene da entrambi i lati. I driver anteriori riproducono il canale sinistro, mentre i driver posteriori riproducono il canale destro.
La distanza dalla parete posteriore viene impostata automaticamente.

5. POSIZIONAMENTO DELL'UNITÀ DALI VEGA

Adaptive Orientation Adjustment (Regolazione Adattiva dell'Orientamento)

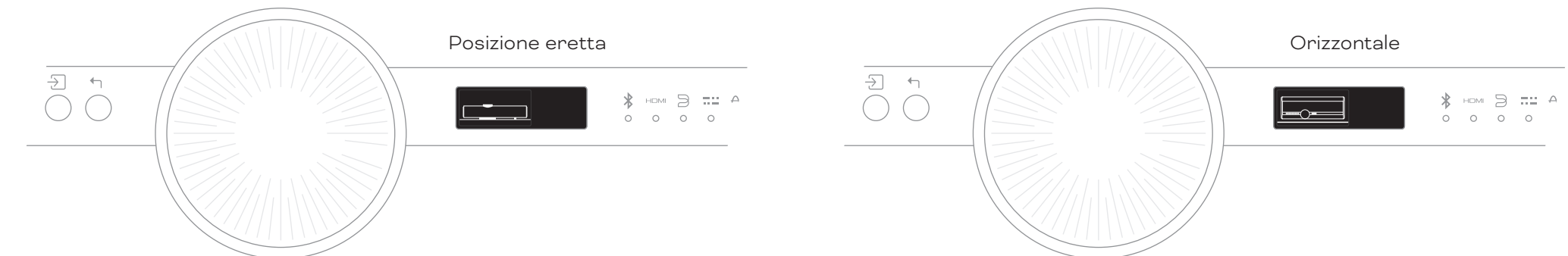
L'unità DALI VEGA è stata progettata utilizzando la tecnologia avanzata Adaptive Orientation Adjustment, sviluppata internamente dagli ingegneri DALI. La Adaptive Orientation Adjustment consente la perfetta integrazione dell'unità DALI VEGA in qualsiasi spazio abitativo, a prescindere dal suo posizionamento e montaggio.

Dotato di un sensore di orientamento interno, l'unità VEGA rileva in modo intelligente il suo orientamento, sia che si trovi in posizione eretta su uno scaffale o un tavolo, oppure montata a parete in orizzontale o verticale. Quindi procede alla riconfigurazione automatica della mappatura dei canali stereo, per garantire la fedeltà audio

ottimale. Questa regolazione in tempo reale migliora la precisione spaziale e l'immagine stereo, offrendo costantemente un'esperienza di ascolto immersiva e coinvolgente, indipendentemente dal posizionamento.

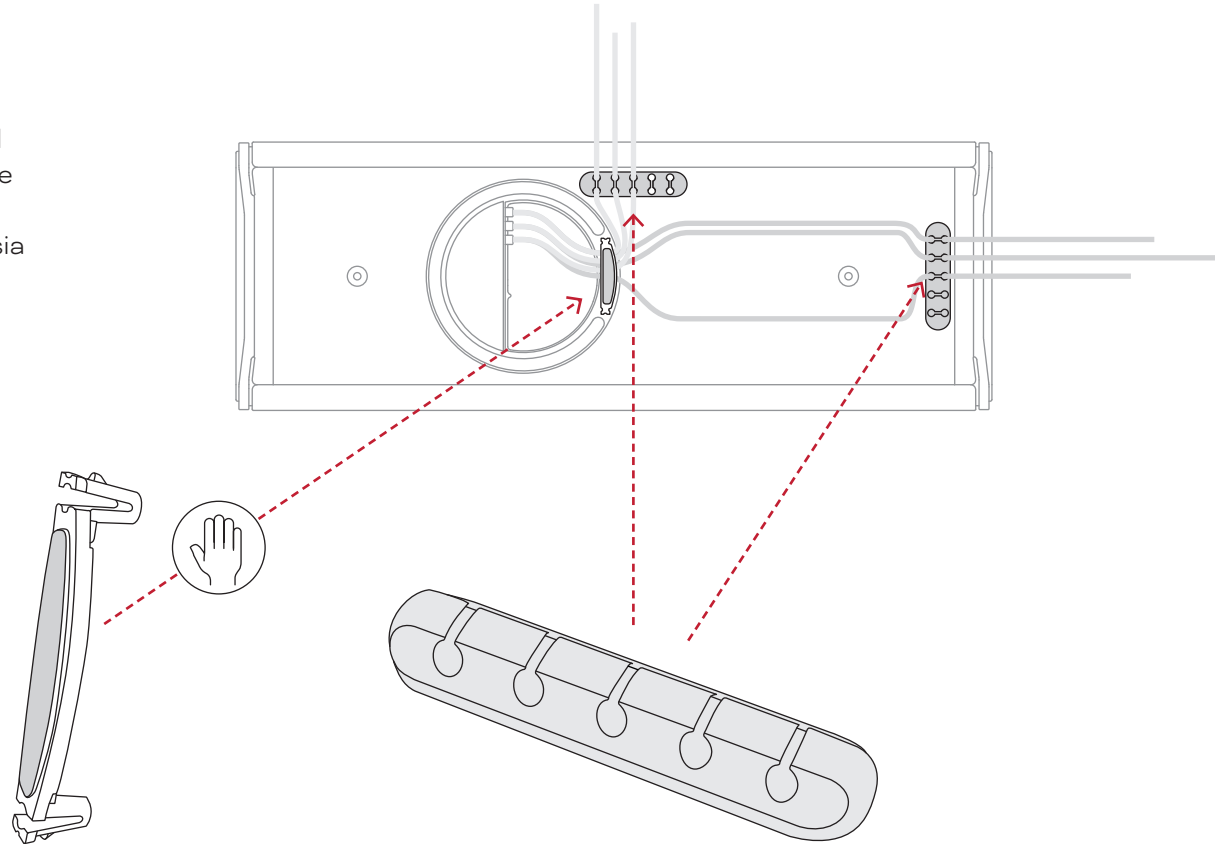
La tecnologia Adaptive Orientation Adjustment rappresenta un fattore chiave della filosofia di progettazione attenta all'ambiente circostante su cui si basa l'unità VEGA, che consente di adattare acusticamente il dispositivo alle preferenze dell'utente migliorando le prestazioni musicali con precisione e chiarezza.

Quando si posiziona l'unità VEGA secondo l'orientamento desiderato, il suo display indicherà la modalità Adaptive Orientation Adjustment attivata mostrando uno dei tre loghi.



6. GESTIONE DEI CAVI

Sul lato posteriore dell'unità VEGA è presente una clip per il cavo, che può essere aperta agendo con le dita su entrambe le estremità. Questa caratteristica, insieme al passacavi in dotazione, consente una facile gestione dei cavi qualunque sia l'orientamento o il posizionamento dell'unità.



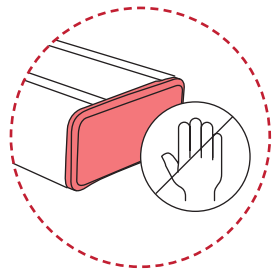
7. MONTAGGIO A PARETE DELL'UNITÀ DALI VEGA

Per il montaggio a parete dell'unità DALI VEGA nelle modalità orizzontale o verticale, utilizzare le quattro staffe da parete incluse.

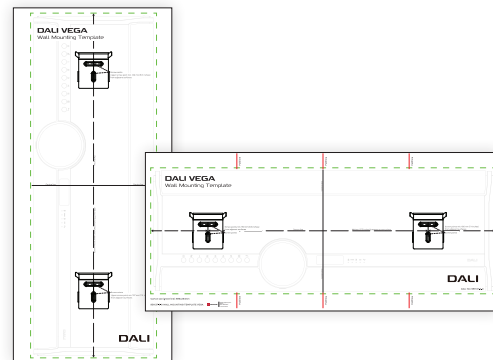
Due delle staffe da parete vengono montate utilizzando le apposite viti già incluse sul pannello posteriore dell'unità DALI VEGA, servendosi della chiave a brugola M6.

Le due staffe da parete rimanenti devono essere applicate sulla parete usando quattro viti appropriate (non incluse).

Seguire i passaggi riportati nelle pagine successive.

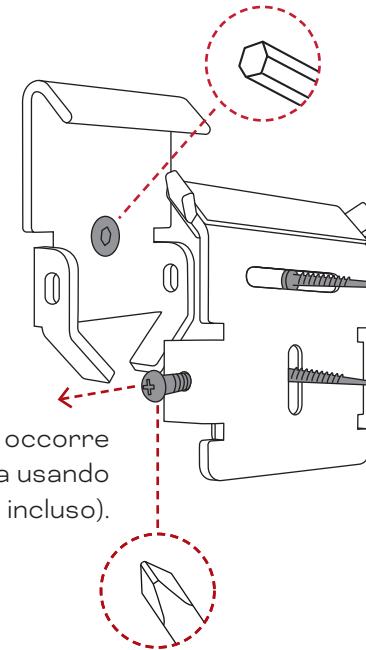


- ! Durante il montaggio, assicurarsi di non toccare i radiatori passivi.



Le staffe per l'unità DALI VEGA vengono montate con una vite per ciascuna staffa (fornita in dotazione). Utilizzare una chiave a brugola M6 e fissare saldamente le staffe in posizione.

Prima di montare il diffusore occorre allentare la vite, o le viti, di sicurezza usando un cacciavite a croce (non incluso).



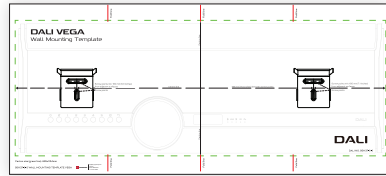
Le staffe per la parete vengono montate con due viti adatte al tipo di parete (non incluse).

- ! Utilizzare le **dime per il montaggio a parete** fornite in dotazione, così da determinare facilmente la posizione di montaggio delle staffe.

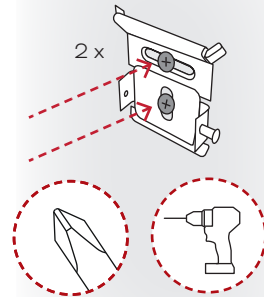
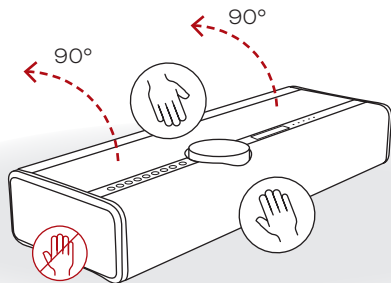
Sono incluse due **dime per il montaggio a parete**: una per l'orientamento orizzontale e una per quello verticale.

7. MONTAGGIO A PARETE DELL'UNITÀ DALI VEGA

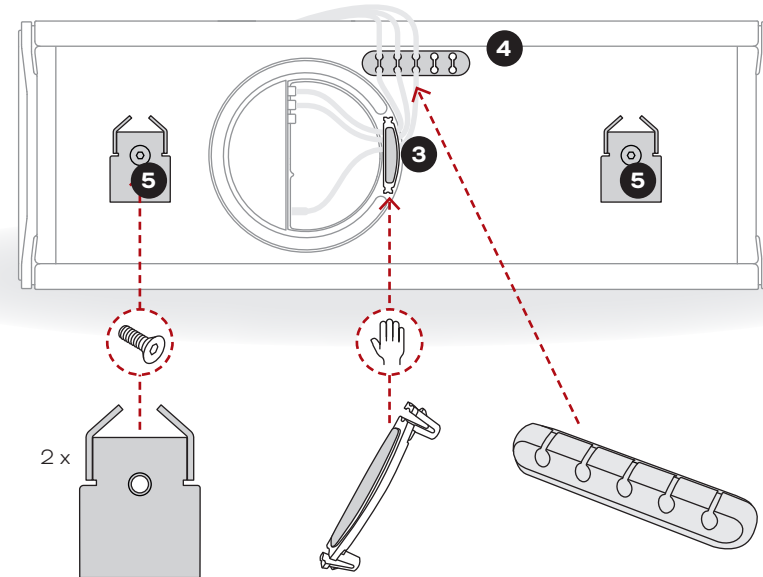
Orientamento orizzontale (1/2)



- 1** Utilizzare la dima orizzontale per il montaggio a parete fornita in dotazione per contrassegnare i fori di perforazione (2 x 2), quindi montare le due apposite staffe sulla parete.
- 2** Inclinare di 90 gradi l'unità VEGA verso il lato posteriore.



- !** NON appoggiare l'unità VEGA sul lato frontale o superiore, poiché ciò potrebbe graffiare accidentalmente la manopola del volume.

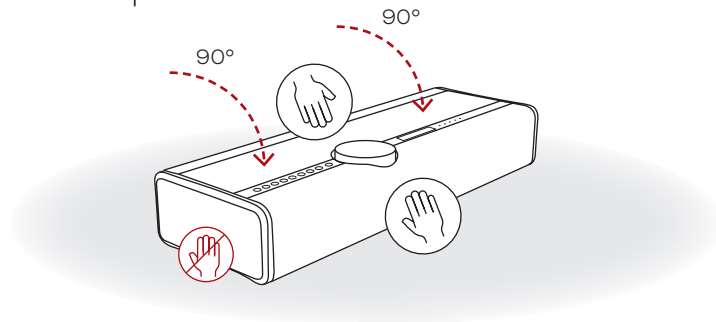


- 3** Montare le staffe da parete lato VEGA in posizione orizzontale.
- 4** Posizionare il passacavi autoadesivo e far passare i cavi.
- 5** Rimuovere la clip del cavo, collegare i cavi e ricollegare la clip del cavo.

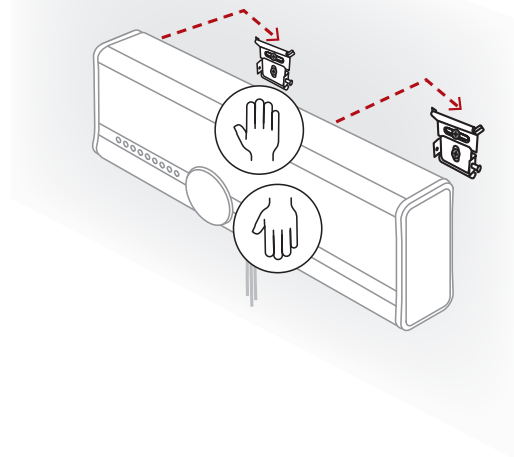
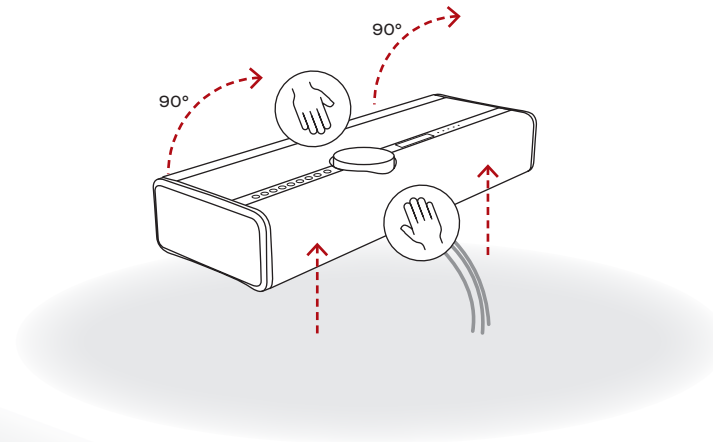
7. MONTAGGIO A PARETE DELL'UNITÀ DALI VEGA

Orientamento orizzontale (2/2)

- 6** Rimettere nuovamente l'unità VEGA in posizione eretta.

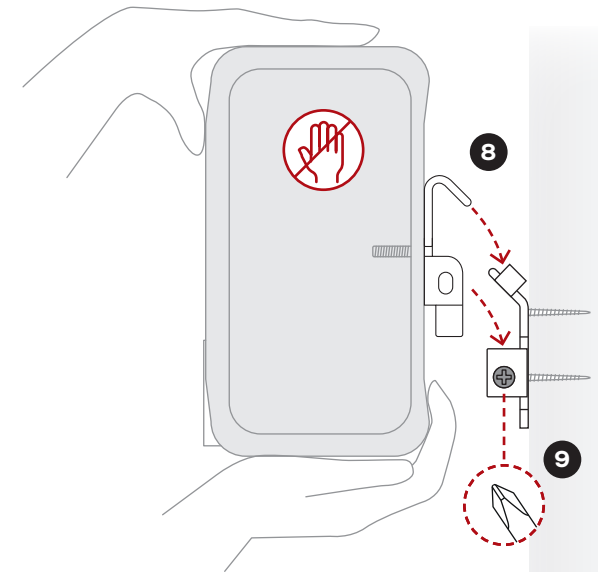


- 7** Sollevare l'unità VEGA e ruotarne la parte inferiore (e le staffe) verso la parete.



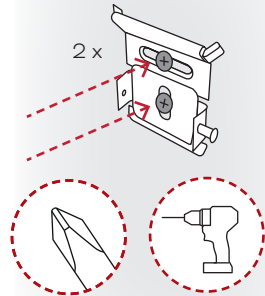
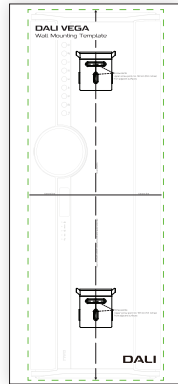
- 8** Sollevare con cautela l'unità VEGA per metterla in posizione e fissarla alle staffe.

- 9** Stringere le viti di sicurezza utilizzando un cacciavite a croce.



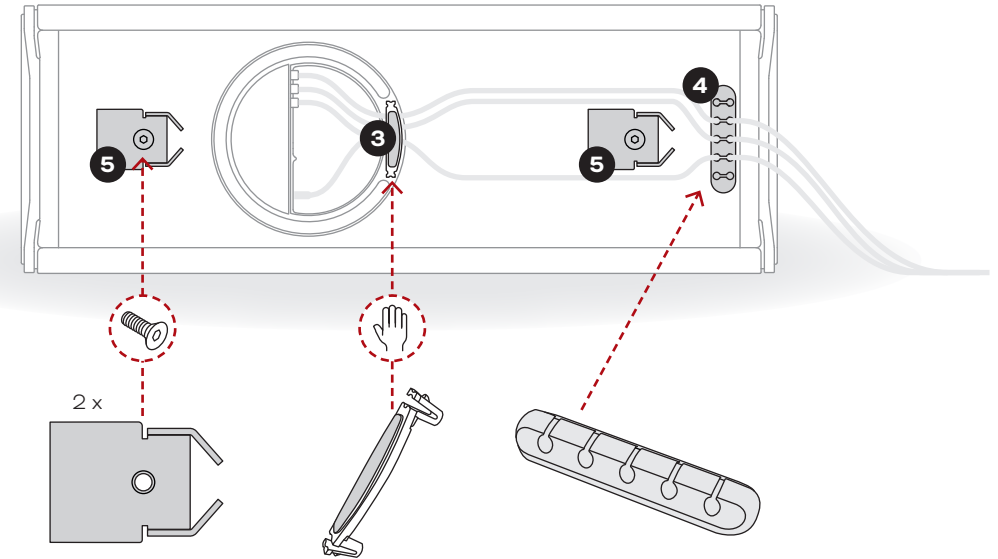
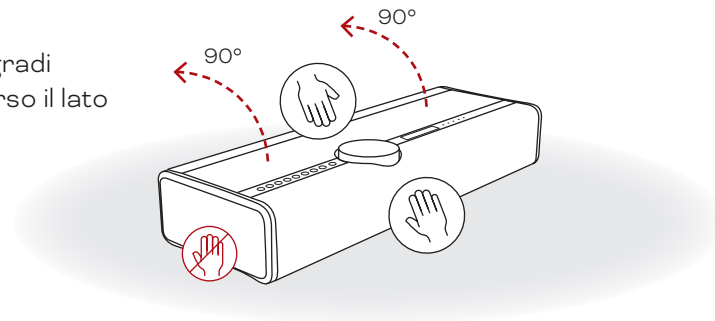
7. MONTAGGIO A PARETE DELL'UNITÀ DALI VEGA

Orientamento verticale (1/2)



- 1 Utilizzare la dima verticale per il montaggio a parete fornita in dotazione per contrassegnare i fori di perforazione (2 x 2), quindi montare le due apposite staffe sulla parete.

- 2 Inclinare di 90 gradi l'unità VEGA verso il lato posteriore.

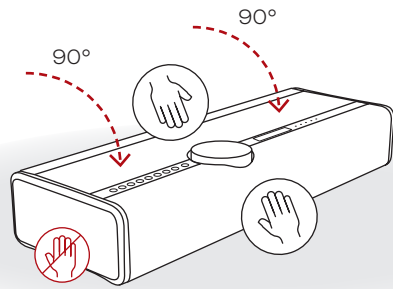


- 3 Rimuovere la clip del cavo, collegare i cavi e ricollegare la clip del cavo.
- 4 Posizionare il passacavi autoadesivo e far passare i cavi.
- 5 Montare le staffe da parete VEGA in posizione verticale.

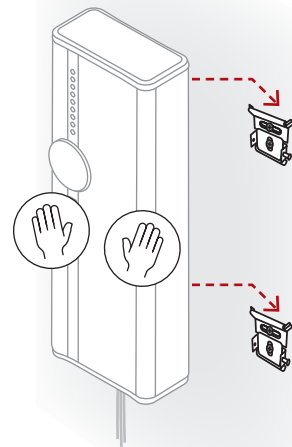
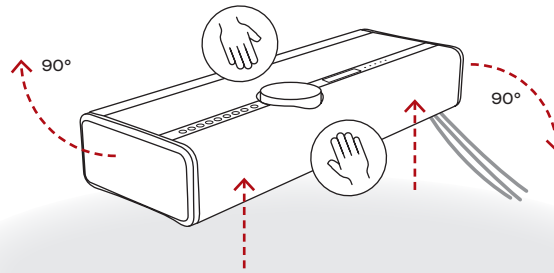
7. MONTAGGIO A PARETE DELL'UNITÀ DALI VEGA

Orientamento verticale (2/2)

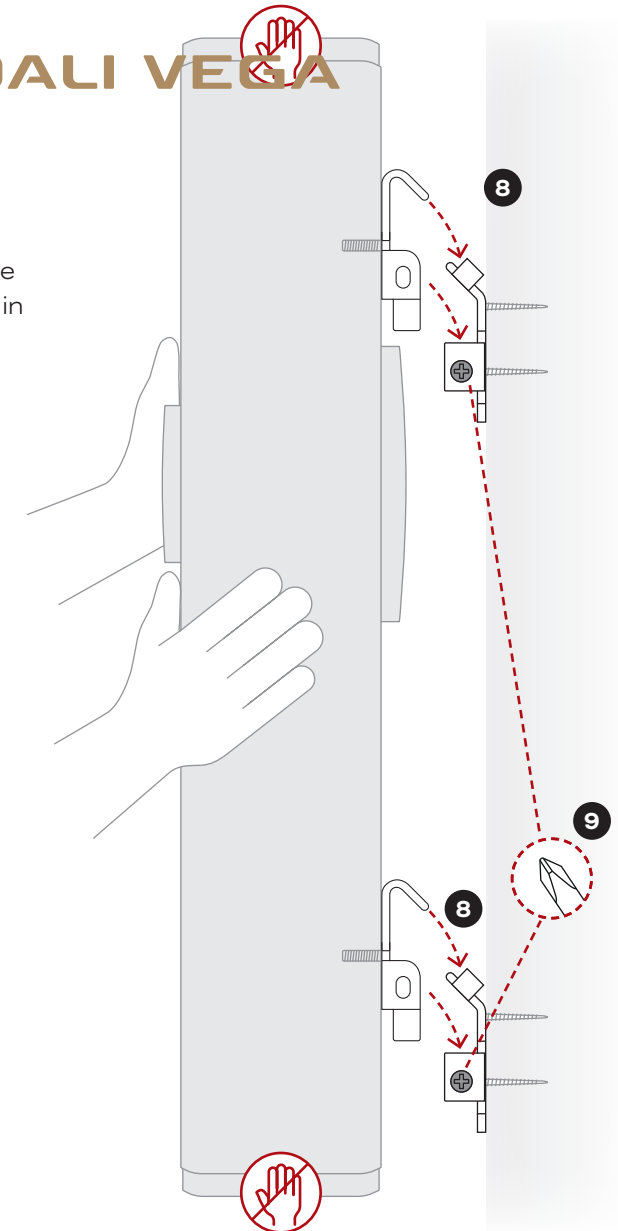
- 6** Rimettere nuovamente l'unità VEGA in posizione eretta.



- 7** Sollevare l'unità VEGA, ruotarne la parte inferiore (e le staffe) verso la parete e ruotarla in senso orario in orientamento verticale.



- 8** Sollevare con cautela l'unità VEGA per metterla in posizione e fissarla alle staffe.
- 9** Stringere le viti di sicurezza utilizzando un cacciavite a croce.



8. CONNESSIONI CABLATE

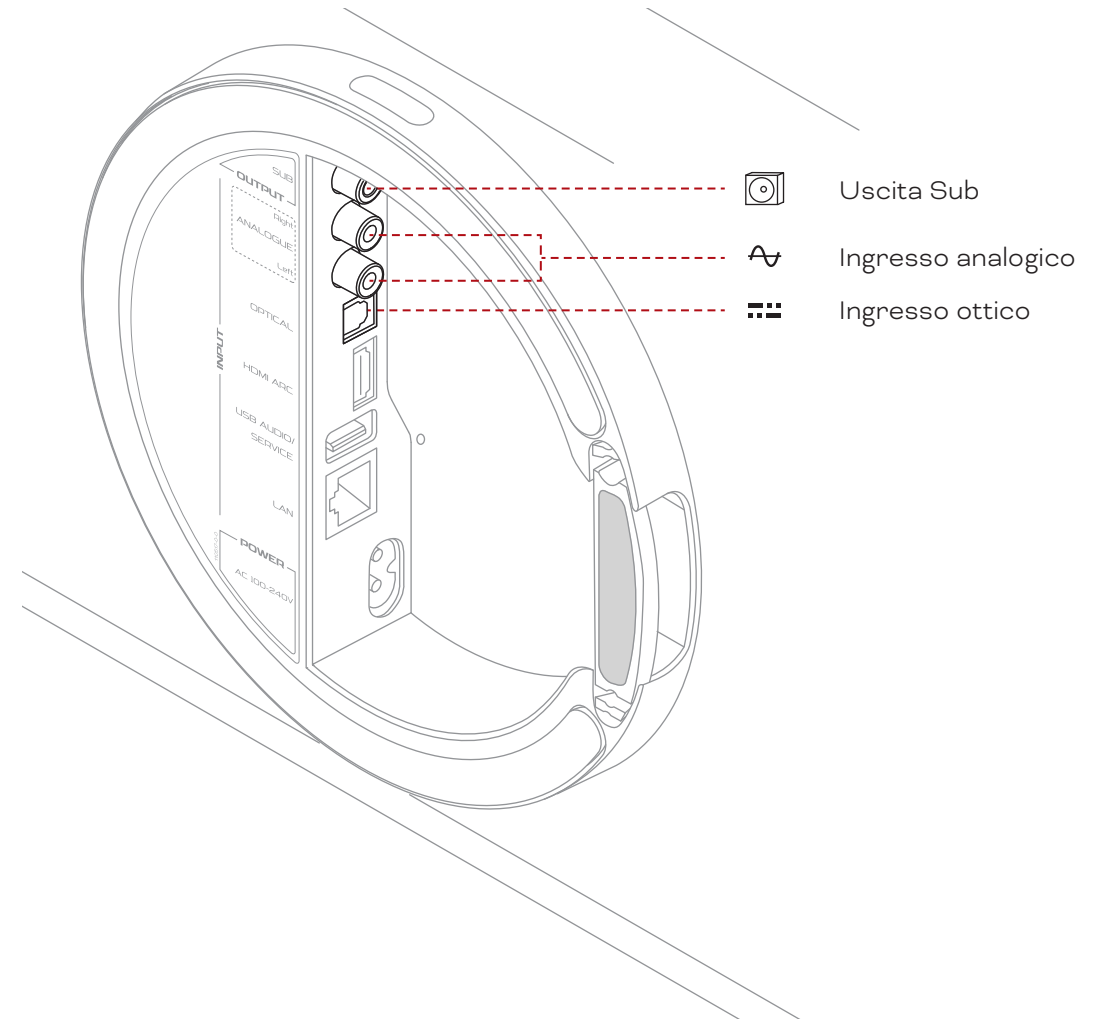
L'unità DALI VEGA offre un'ampia gamma di opzioni di collegamento per l'integrazione ai sistemi audio domestici.

Le prese per il collegamento via cavo si trovano nel pannello delle connessioni e includono le seguenti opzioni:

Uscita subwoofer: Connessione Phono RCA per collegare un subwoofer esterno, utile a migliorare ulteriormente le prestazioni dei bassi dell'unità DALI VEGA. Il segnale di uscita del subwoofer è mono, con applicato un filtro passa-basso a 120 Hz.

Ingresso analogico: Coppia stereo di connessioni Phono RCA per il collegamento di una sorgente audio esterna dotata di uscite con livello di linea. Ad esempio, un lettore CD o un giradischi con RIAA integrato.

Ingresso ottico: Connessione audio digitale ottica TOSLINK per il collegamento di una sorgente audio esterna dotata di uscita digitale ottica. Ad esempio, una TV o un lettore CD.



8. CONNESSIONI CABLATE

HDMI ARC: Se si dispone di un televisore dotato di connettore HDMI ARC (Audio Return Channel), è possibile collegarlo al connettore HDMI ARC dell'unità DALI VEGA. Potrebbe essere necessario selezionare anche diffusori esterni per la riproduzione audio e abilitare la funzione CEC (Consumer Electronics Control) nel menu delle impostazioni del televisore. Il formato di uscita audio della TV deve essere impostato su "PCM" o "Stereo".

Utilizzando il collegamento HDMI con CEC, è possibile impiegare il telecomando del televisore per controllare le funzioni di Volume, Mute e Standby dell'unità DALI VEGA.

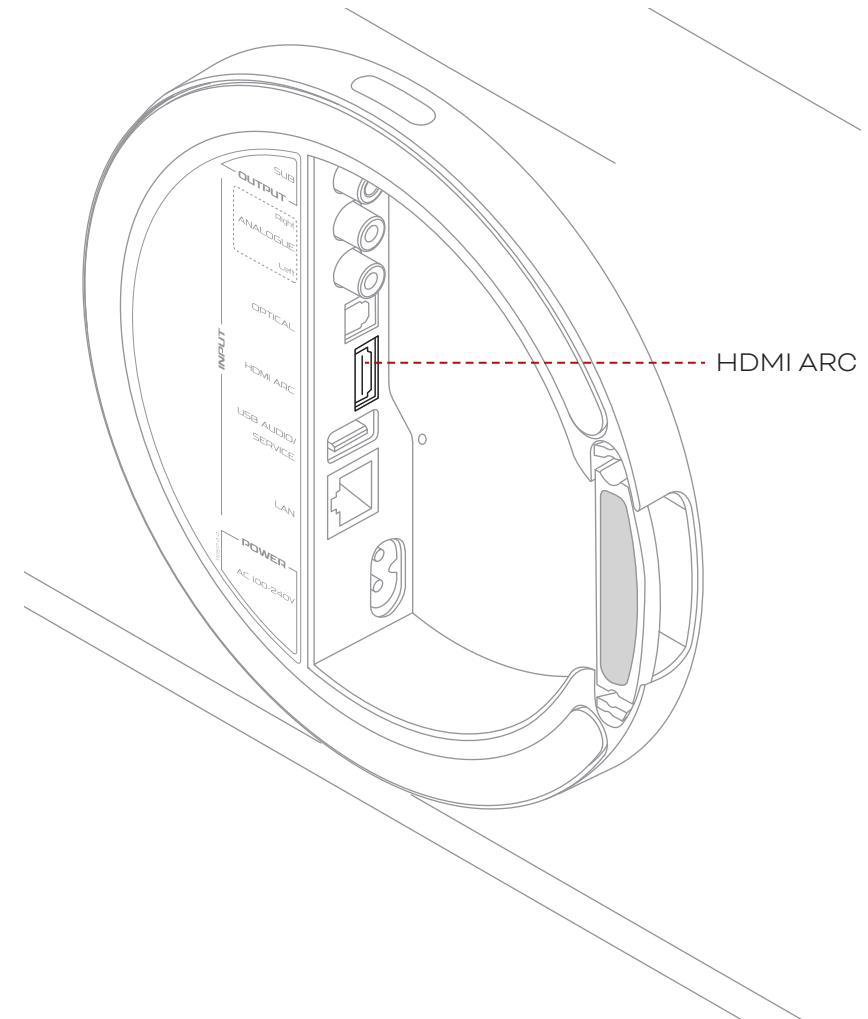
! Se il televisore non supporta l'HDMI ARC o se si verificano problemi di compatibilità HDMI, DALI consiglia di utilizzare una connessione ottica dall'uscita audio ottica del televisore all'unità DALI VEGA.

In tale scenario, è comunque possibile utilizzare la connessione HDMI per controllare l'unità DALI VEGA tramite CEC usando il telecomando del televisore.

Per utilizzare il telecomando del televisore nel controllare le funzioni base dell'unità DALI VEGA (volume, mute, attivazione/spengimento) tramite HDMI, è necessario abilitare la funzionalità HDMI CEC sul televisore.

La funzione HDMI CEC ha nomi diversi a seconda della marca del televisore:

- Samsung: Anynet+
- LG: SimpLink
- Sony: Bravia Sync
- Phillips: EasyLink
- Panasonic: Viera Link
- Hitachi: HDMI-CEC



8. CONNESSIONI CABLATE

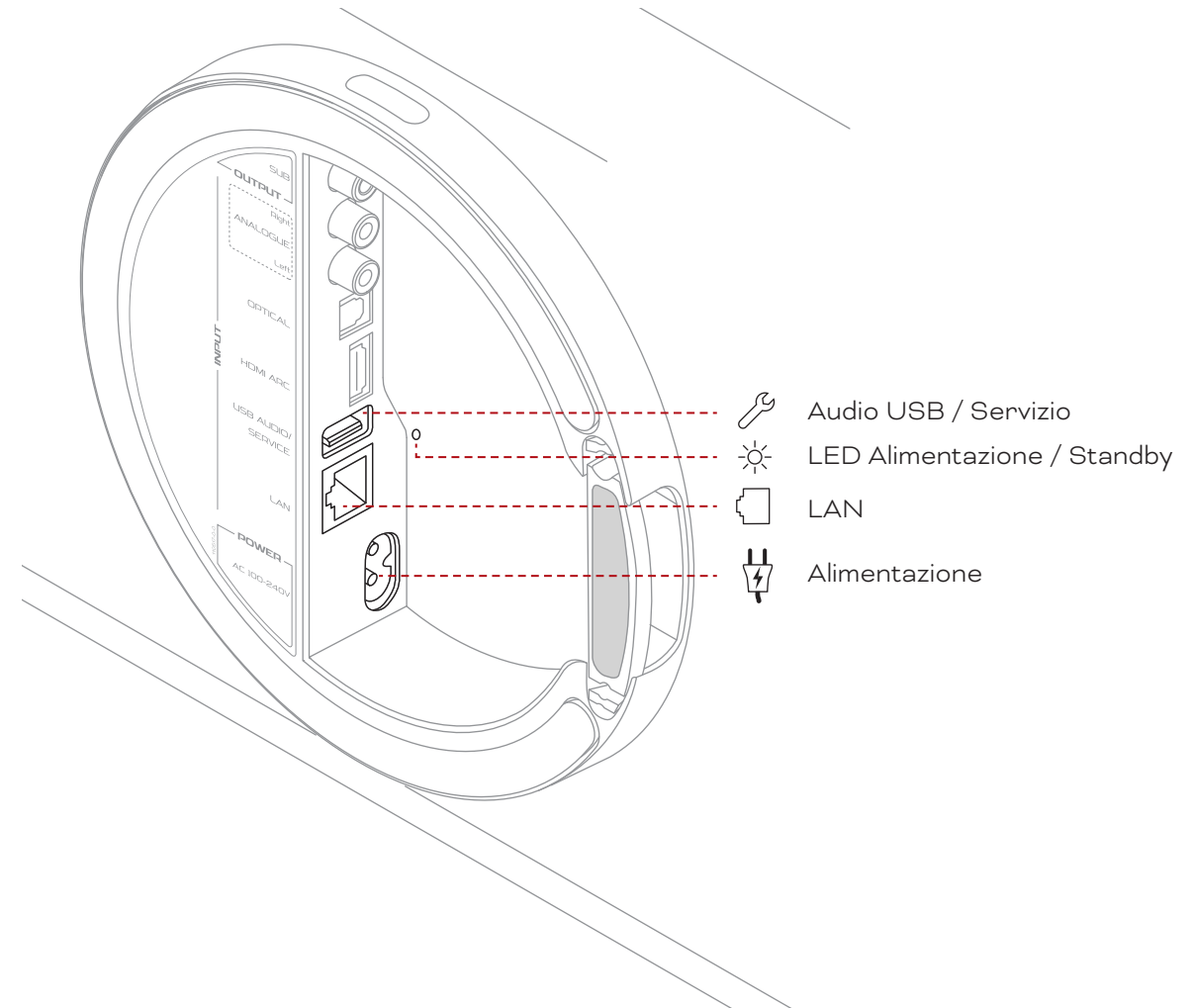
Audio USB / Servizio: La connessione USB dell'unità DALI VEGA ha due funzioni. Innanzitutto, consente all'unità DALI VEGA di riprodurre i file musicali memorizzati su supporti di storage USB, come hard disk e chiavette USB, e di renderli accessibili tramite BluOS sulla rete domestica a cui è collegata. In secondo luogo, la connessione USB dell'unità DALI VEGA consente di installare aggiornamenti software e di svolgere funzioni di servizio.

➔ [Introduzione a BluOS](#)

Indicatore LED alimentazione/standby: Questo indicatore segnala lo stato di alimentazione dell'unità DALI VEGA.

LAN (Rete): La presa di rete dell'unità DALI VEGA fornisce le funzionalità di streaming musicale dell'app BluOS tramite una connessione di rete cablata. Se l'unità DALI VEGA deve utilizzare una connessione di rete cablata, collegare la presa LAN a un router o switch di rete domestica utilizzando un cavo di rete standard.

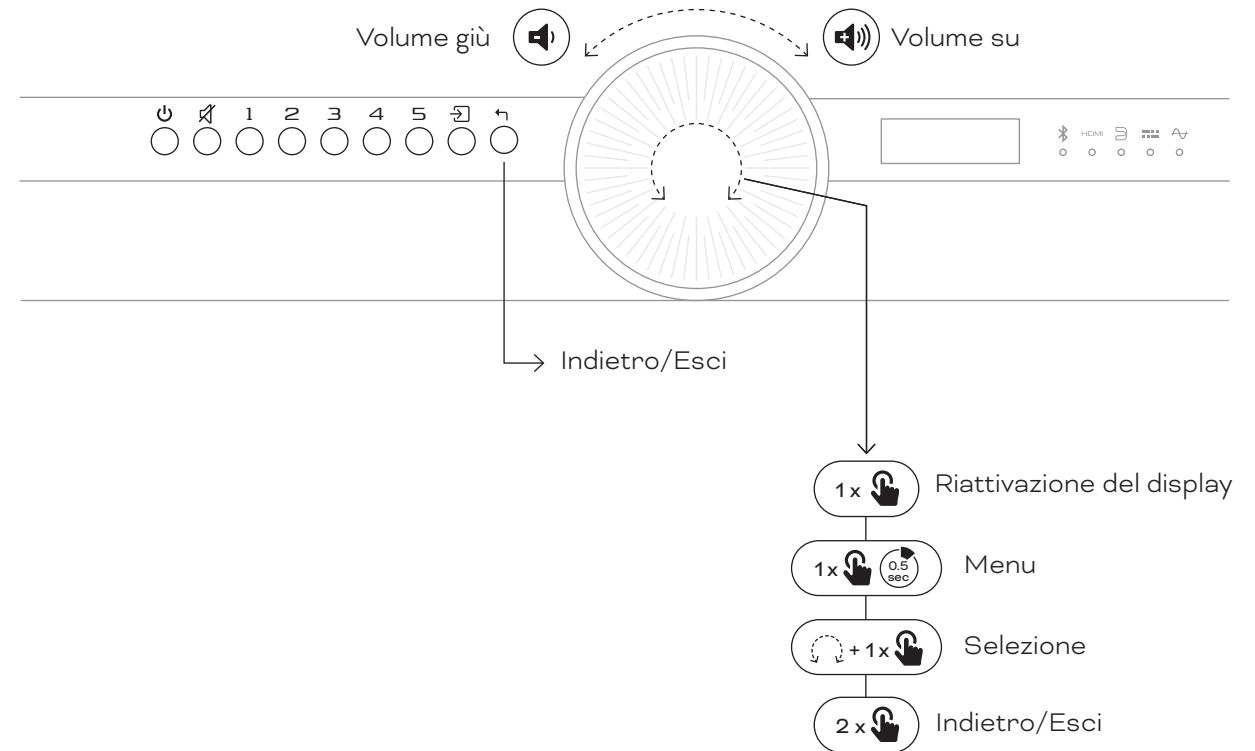
Alimentazione: Collegare l'unità DALI VEGA alla rete elettrica utilizzando il cavo di rete in dotazione.



9. CONFIGURAZIONE DELL'UNITÀ DALI VEGA

Una volta posizionata e collegata l'unità DALI VEGA alla rete elettrica, alla rete wireless e alle sorgenti cablate necessarie, è possibile procedere con la configurazione.

La configurazione dell'unità DALI VEGA avviene tramite il display del menu. Utilizzare la **manopola del volume** per selezionare le opzioni del menu. Premere la superficie della **manopola del volume** per confermare le selezioni. Usare il pulsante **Indietro/ Esci** posto a sinistra della **manopola del volume** per salvare le opzioni selezionate e contemporaneamente tornare indietro nei menu di configurazione.



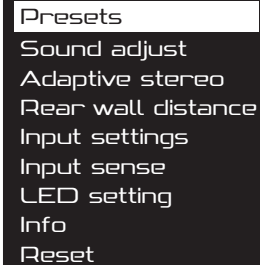
9. CONFIGURAZIONE DELL'UNITÀ DALI VEGA

I menu dell'unità DALI VEGA

Per accedere ai menu di configurazione dell'unità DALI VEGA, premere e tenere premuto una volta il centro della **manopola del volume**. Il display visualizzerà il livello superiore dei menu di configurazione. Ruotare la **manopola del volume** per scorrere le voci di menu verso l'alto o verso il basso; premere nuovamente il centro della manopola del volume per selezionare un'opzione del menu e accedere al relativo sottomenu.

Le opzioni di configurazione disponibili per ogni voce di menu di primo livello sono descritte nei paragrafi seguenti.

! Se all'interno di un menu non viene effettuata alcuna selezione entro 10 secondi, il display dell'unità DALI VEGA tornerà alla schermata iniziale.



Presets
Sound adjust
Adaptive stereo
Rear wall distance
Input settings
Input sense
LED setting
Info
Reset

Presets

Il menu **Presets** mostra i preset creati nell'app BluOS e ne consente l'attivazione. È possibile assegnare un totale di 10 preset BluOS (tramite l'app BluOS) ai cinque pulsanti Preset posti a sinistra della manopola del volume.

Preset da 1 a 10

I pulsanti **Preset** consentono la selezione immediata di qualsiasi elemento memorizzato, come ad esempio stazioni radio o servizi di streaming.

Con un singola pressione si attivano i preset da 1 a 5.


Con un doppia pressione si attivano i preset da 6 a 10.

Eventuali ulteriori preset BluOS salvati possono essere disponibili dal menu **Preset**, dove è possibile attivare fino a 40 preset. Per un rapido richiamo, è possibile assegnare qualsiasi sorgente attualmente selezionata – ad esempio una stazione radio Internet o un servizio di streaming – a uno dei pulsanti Preset.



1. Radio Paradise
2. BBC 1
3. My Jazz Playlist
4. DR P8 Jazz

1 2 3 4 5
○ ○ ○ ○ ○

1x / 2x 



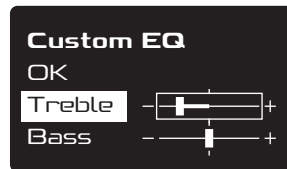
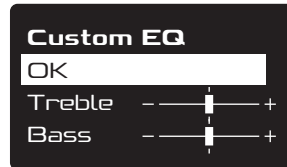
[Come aggiungere o eliminare un preset](#)

9. CONFIGURAZIONE DALI VEGA

Sound adjust (Regolazione audio)

Il menu **Sound adjust** consente di selezionare le opzioni audio **Direct** (impostazione predefinita di DALI VEGA) o **Custom EQ** (equalizzazione).

Se l'opzione **Custom EQ** risulta selezionata, il display mostrerà le regolazioni di bassi e acuti, regolabili in una gamma di +/-10 dB in incrementi di 2 dB. Regolare le frequenze basse e alte utilizzando la **manopola del volume**.

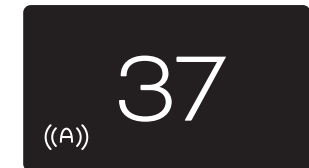


DALI Adaptive Stereo Enhancement™

L'unità DALI VEGA incorpora la tecnologia Adaptive Stereo Enhancement (ASE) sviluppata da DALI, capace di migliorare l'esperienza d'ascolto stereo da diffusori compatti, rendendo il suono più ampio, immersivo e coinvolgente. Il DALI Adaptive Stereo Enhancement è abilitato come impostazione predefinita, ma può essere disabilitato.

Il menu **Adaptive stereo** consente di abilitare o disabilitare l'Adaptive Stereo Enhancement. Selezionare l'opzione desiderata utilizzando la **manopola del volume**.

- ! Se l'Adaptive Stereo Enhancement risulta attivato, verrà indicato con il logo ASE ((A)) in basso a sinistra nel display.

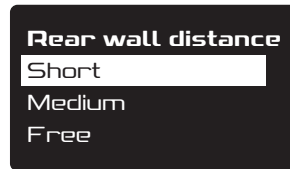


9. CONFIGURAZIONE DELL'UNITÀ DALI VEGA

Rear wall distance (distanza dalla parete posteriore)

Il suono dell'unità DALI VEGA, come di qualsiasi altro diffusore, è influenzato dalla presenza di pareti della stanza e dalla loro vicinanza. Il menu **Rear wall distance** consente di regolare il suono dell'unità DALI VEGA in base alla sua distanza da una parete.

Utilizzare la **manopola del volume** per selezionare l'opzione più adatta alla distanza dalla parte posteriore dell'unità DALI VEGA.

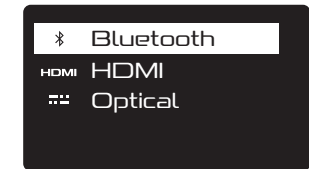


- ! **Short:** Distanza dalla parete posteriore inferiore a 10 cm (3,9 pollici)
- Medium:** Distanza dalla parete posteriore compresa tra 10 e 50 cm (3.9 e 19.6 pollici)
- Free:** Distanza dalla parete posteriore superiore a 50 cm (19,6 pollici)

Il menu **Rear wall distance** risulterà disabilitato nel caso in cui l'unità DALI VEGA venga montata a parete.

Input settings (impostazioni degli ingressi)

Il menu **Input settings** consente di configurare le opzioni specifiche per gli ingressi Bluetooth, HDMI e ottico.



Le opzioni sono:

- Bluetooth:** Rilascio della connessione e cancellazione degli accoppiamenti.
- HDMI:** Ritardo audio.
- Ottico:** Rilevamento del segnale e della portante.

- ! Il ritardo audio HDMI consente di ottimizzare la sincronizzazione labiale della TV.

Il rilevamento del segnale e della portante dell'ingresso ottico consentono all'unità DALI VEGA di selezionare automaticamente il suo ingresso ottico quando il dispositivo sorgente viene semplicemente attivato o solo quando risulta presente un segnale audio.

9. CONFIGURAZIONE DELL'UNITÀ DALI VEGA

Input sense

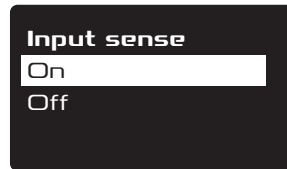
(rilevazione del segnale in ingresso)

Il menu **Input sense** consente all'unità DALI VEGA di attivarsi dalla modalità Standby non appena viene rilevato un segnale audio su un qualsiasi ingresso, nonché di disattivarsi automaticamente dopo 20 minuti di assenza di segnali in ingresso. L'**Input sense** può essere abilitato o disabilitato. Utilizzare la **manopola del volume** per selezionare l'opzione richiesta.

- ! Gli ingressi analogici e ottici vengono selezionati automaticamente quando viene rilevato un segnale audio, a condizione che il rilevamento dell'ingresso sia abilitato (**On**) e che nessun altro segnale risulti al momento in esecuzione e riprodotto dall'unità VEGA.

Gli ingressi Bluetooth e BlueOS verranno selezionati automaticamente quando viene premuto il pulsante di riproduzione (Play) della sorgente.

L'ingresso HDMI ARC verrà selezionato automaticamente all'accensione della TV collegata, ammesso che nessun altro segnale risulti al momento in esecuzione e riprodotto dall'unità VEGA.

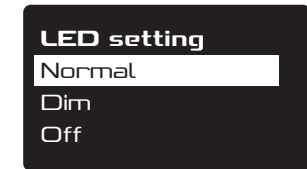


LED setting

(impostazione degli indicatori LED)

Il menu **LED setting** consente di regolare la luminosità degli indicatori LED presenti nell'unità DALI VEGA. Utilizzare la **manopola del volume** per selezionare l'opzione richiesta.

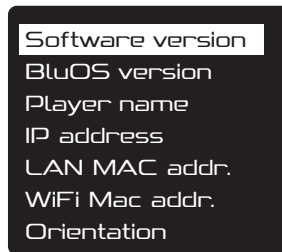
- ! Se il menu LED setting è impostato su **Off**, i LED dell'unità DALI VEGA risulteranno sempre spenti e la selezione della sorgente corrente sarà segnalata dal display, nell'angolo in basso a destra.



9. CONFIGURAZIONE DELL'UNITÀ DALI VEGA

Info

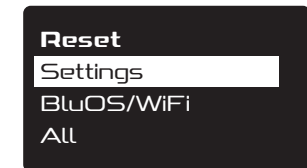
Il menu **Info** mostra le informazioni di sistema che potrebbero essere utili per la risoluzione dei problemi. Utilizzare la **manopola del volume** per selezionare e visualizzare le informazioni desiderate e uscire dal menu utilizzando il pulsante **Indietro/Esci**.



Reset

Il menu **Reset** consente di eliminare le impostazioni utente dell'unità DALI VEGA.

Utilizzare la **manopola del volume** per selezionare l'opzione richiesta e uscire dal menu utilizzando il pulsante **Indietro/Esci**.



- ! L'opzione **Settings** resetta tutte le impostazioni utente, inclusi gli abbinamenti Bluetooth, ma esclude i preset BluOS e la configurazione Wi-Fi.

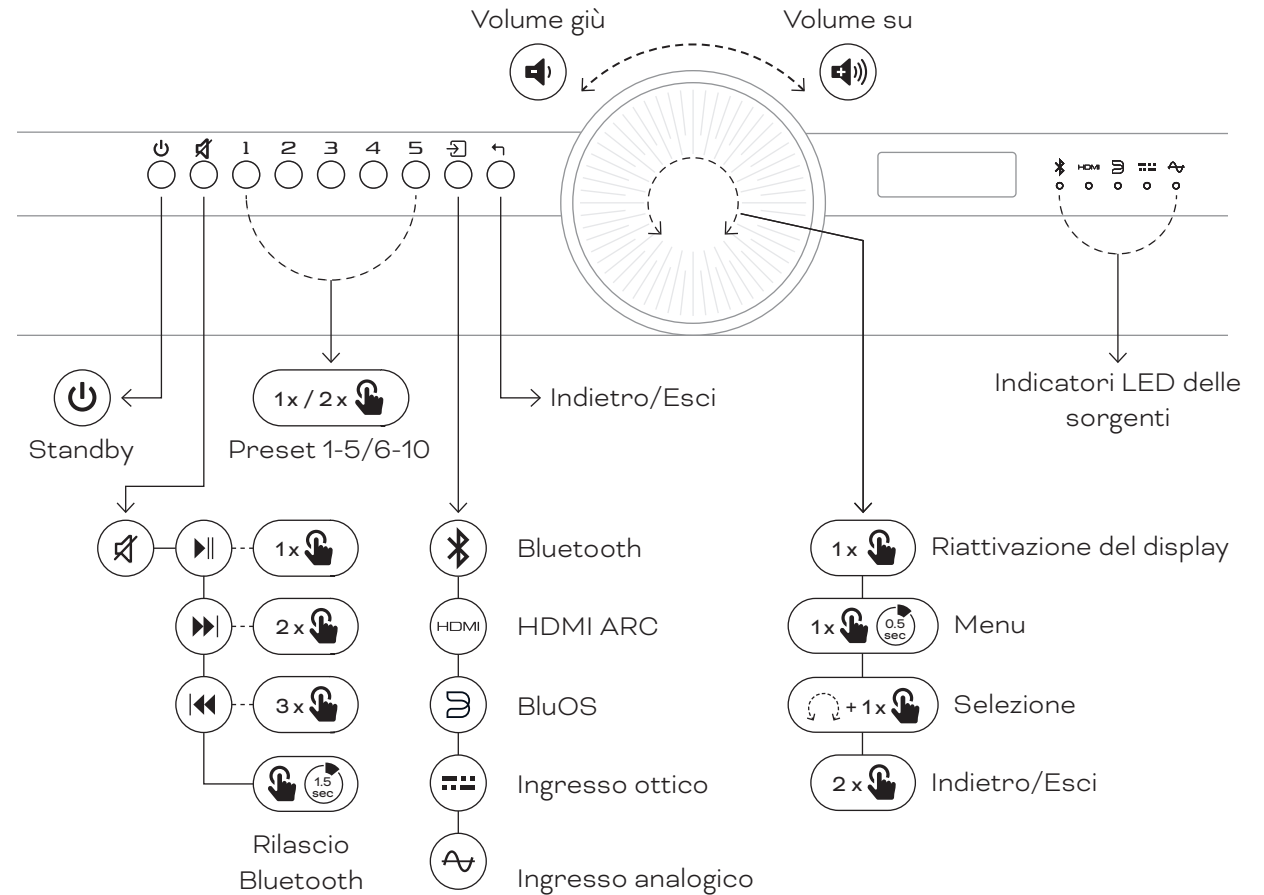
L'opzione **BluOS/Wi-Fi** elimina i preset BluOS salvati e reimposta la connessione Wi-Fi, riportando l'unità DALI VEGA alla modalità BluOS Hotspot, pronta per una nuova connessione Wi-Fi.

L'opzione **All** combina le altre due opzioni di ripristino.

10. L'UNITÀ DALI VEGA IN USO

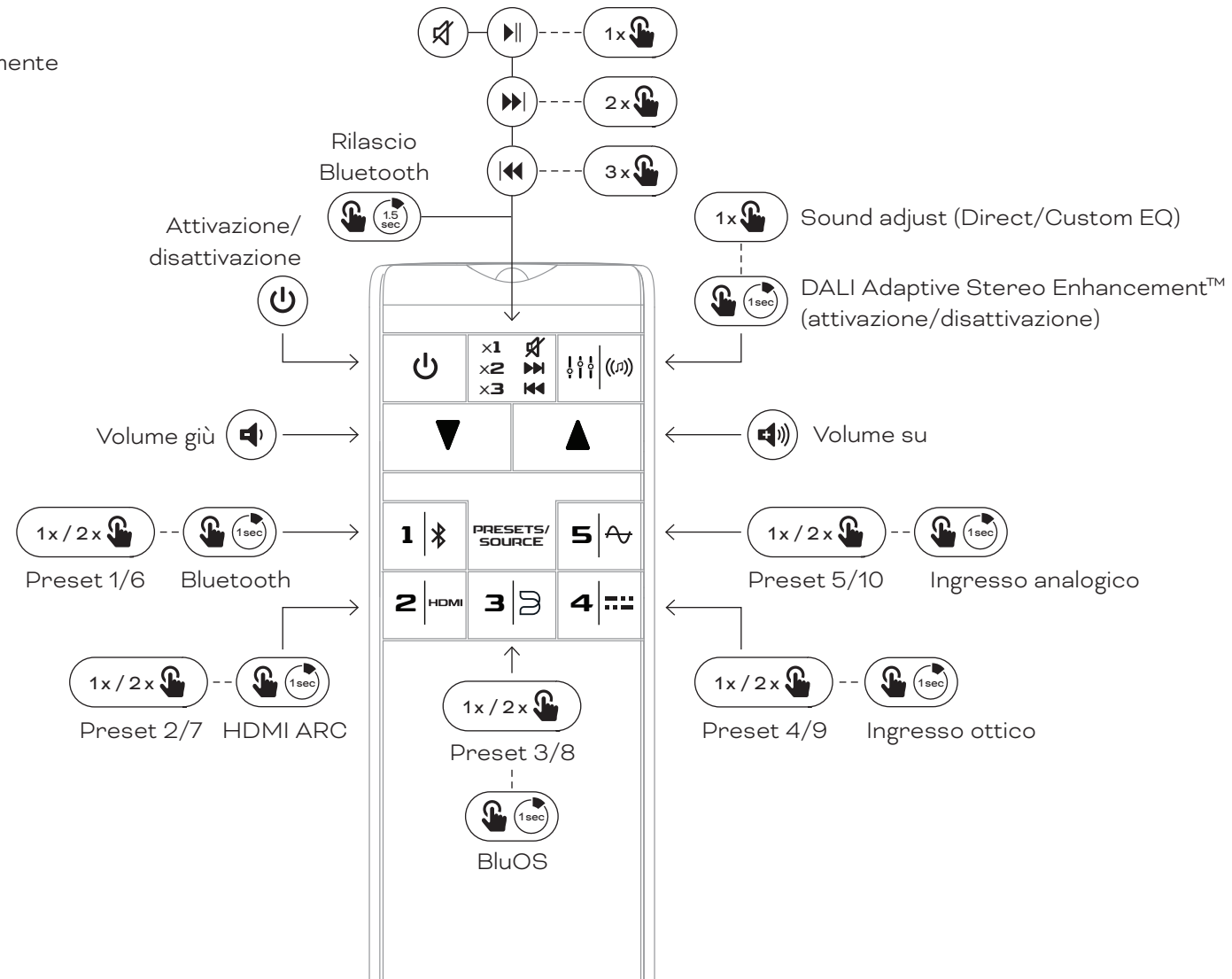
Una volta posizionata, connessa e configurata l'unità DALI VEGA, è giunto il momento di godere delle sue prestazioni eseguendo la propria musica preferita.

Per controllare l'unità DALI VEGA è possibile utilizzare i **pulsanti** e la **manopola del volume** integrati, oppure fare uso del **telecomando**. Il telecomando e i suoi pulsanti sono illustrati nella pagina successiva.



10. L'UNITÀ DALI VEGA IN USO

Il telecomando fornito in dotazione riproduce le funzioni più frequentemente utilizzate dell'unità DALI VEGA.



10. L'UNITÀ DALI VEGA IN USO

Pulsanti e manopola del volume dell'unità DALI VEGA

Da sinistra a destra, i pulsanti dell'unità DALI VEGA forniscono le seguenti funzioni:

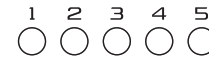
Pulsante Standby

Premere il pulsante Standby per riattivare l'unità DALI VEGA o riportarla in standby.

! Il consumo energetico dell'unità DALI VEGA posta in standby è inferiore a 0,5 Watt.

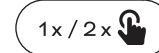
Pulsante Mute

Premere il pulsante **Mute** per disattivare o ripristinare l'audio. Se la sorgente attualmente selezionata dispone dei controlli di riproduzione, il pulsante **Mute** ne controllerà le funzioni: premere una volta per la funzione **Play/Pausa**, due volte per la funzione **Skip avanti** e tre volte per la funzione **Skip indietro**. Per disattivare il Bluetooth, tenere premuto il pulsante **Mute**.

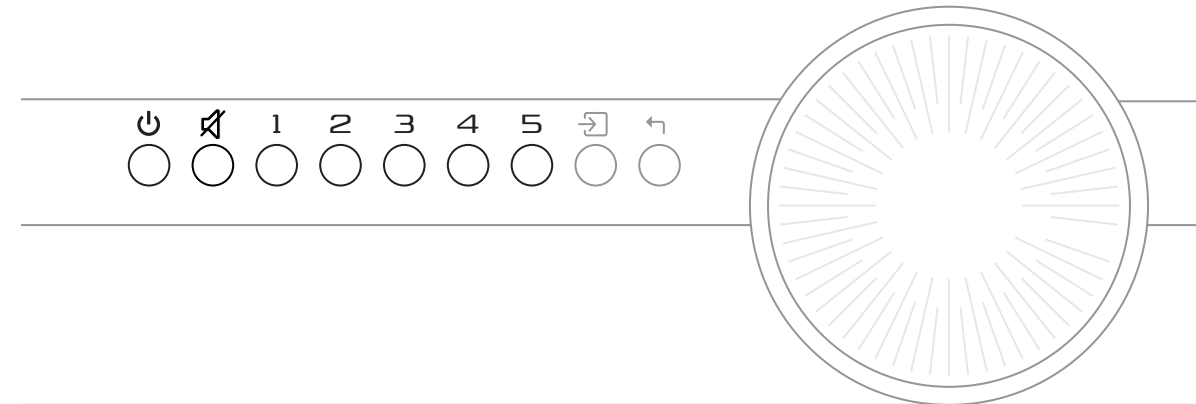


Pulsanti preset da 1 a 10

I pulsanti **Preset** consentono la selezione immediata di qualsiasi elemento memorizzato, come ad esempio stazioni radio o servizi di streaming.



Con un singola pressione si attivano i preset da 1 a 5.
Con un doppia pressione si attivano i preset da 6 a 10.



10. L'UNITÀ DALI VEGA IN USO

☞ Pulsante di ingresso

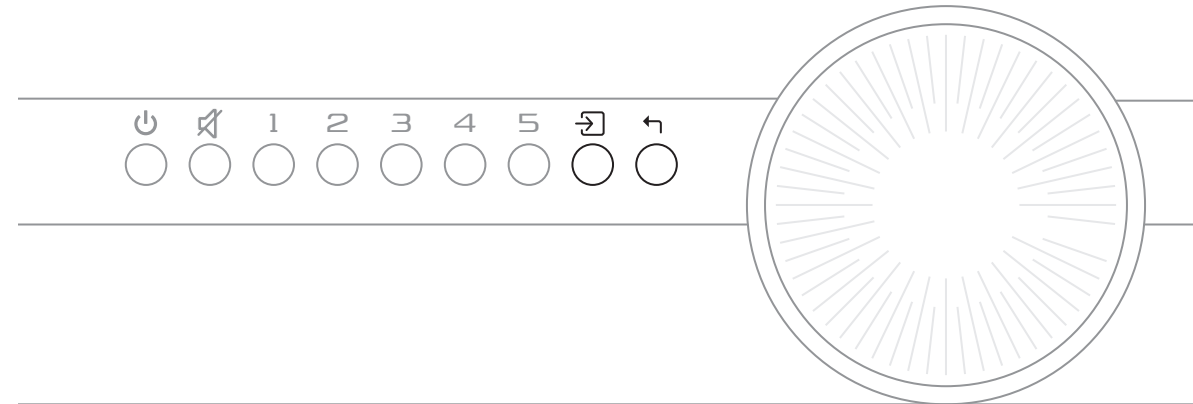
Premendo il pulsante di **Ingresso** è possibile scorrere e selezionare i segnali presenti agli ingressi dell'unità DALI VEGA, disponibili nel seguente ordine:

-  Bluetooth
-  HDMI ARC
-  BluOS
-  Ingresso ottico
-  Ingresso analogico

! La prima pressione del pulsante di Ingresso mostra la selezione della sorgente di segnale corrente. Le ulteriori pressioni del pulsante consentono di passare da una sorgente di segnale all'altra in successione.

☞ Pulsante Indietro/Esci

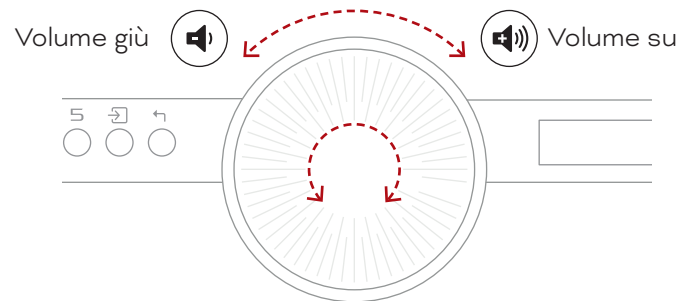
Premendo il pulsante **Indietro/Esci** è possibile tornare indietro nei livelli del menu.



10. L'UNITÀ DALI VEGA IN USO

Manopola del volume

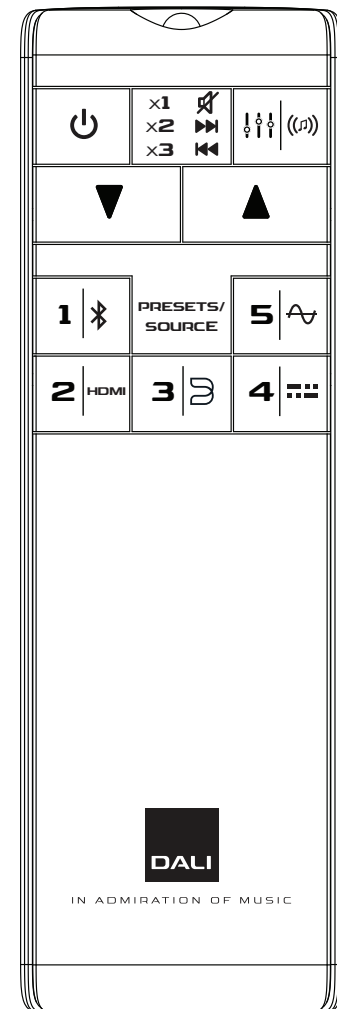
Se l'unità DALI VEGA risulta attiva e non si trova in un menu di configurazione, la **manopola del volume** controllerà il volume. Ruotare la manopola in senso orario o antiorario rispettivamente per aumentare o diminuire il volume.



Telecomando

Il telecomando fornito in dotazione riproduce le funzioni più frequentemente utilizzate dell'unità DALI VEGA.

Il telecomando dell'unità DALI VEGA e i suoi pulsanti sono illustrati a pagina 24.



11. CONNESSIONE BLUETOOTH

11.1 Accoppiamento Bluetooth

Per connettere il proprio dispositivo Bluetooth all'unità DALI VEGA:

1. Attivare l'unità DALI VEGA.
2. Selezionare l'ingresso Bluetooth utilizzando il pulsante di Ingresso.
3. L'unità DALI VEGA è ora pronta per l'accoppiamento Bluetooth.
 - a. Se l'indicatore LED Bluetooth lampeggia, significa che al momento non è connesso alcun dispositivo.
 - b. Se l'indicatore LED Bluetooth è fisso, significa che un dispositivo risulta collegato. Per disconnettere il dispositivo connesso, utilizzare la funzione di rilascio Bluetooth.
 - c. È possibile connettere un solo dispositivo Bluetooth alla volta.
 - d. Avviare l'accoppiamento Bluetooth sul proprio dispositivo. Una volta completato l'accoppiamento, il segnale proveniente dal dispositivo connesso tramite Bluetooth verrà riprodotto.

Se in precedenza è stato accoppiato un dispositivo all'unità DALI VEGA e questo si trova nel raggio d'azione, l'unità DALI VEGA si conetterà automaticamente all'ultimo dispositivo utilizzato quando viene selezionato l'ingresso Bluetooth.

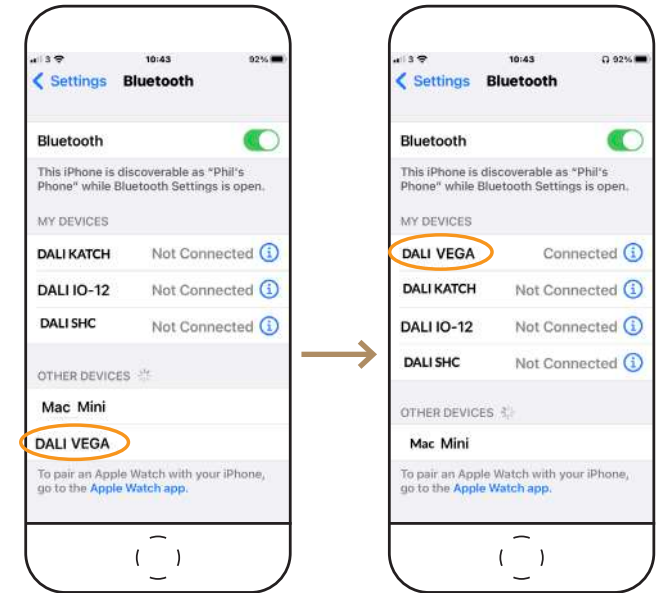
L'unità DALI VEGA non avvierà la riproduzione in automatico. La riproduzione deve essere avviata dal dispositivo collegato, oppure premendo brevemente il pulsante Mute sull'unità DALI VEGA o sul suo telecomando.

11.2 Rilascio Bluetooth

Se non riesci ad accoppiare il tuo dispositivo al DALI VEGA:

1. Premere e tenere premuto il pulsante di rilascio Bluetooth (pulsante Mute) finché non viene riprodotto il suono di rilascio della connessione Bluetooth e l'indicatore LED (LED 1) non comincia a lampeggiare.
2. Il dispositivo connesso è ora sbloccato ed è possibile riavviare l'accoppiamento.
3. È possibile attivare il rilascio Bluetooth anche andando su **Impostazioni input** -> **Bluetooth** nel menu di sistema.

! È possibile associare fino a 8 dispositivi Bluetooth all'unità DALI VEGA.



! Se nell'app BluOS si modifica il nome dell'unità DALI VEGA, il nome Bluetooth cambierà conseguentemente.

12. CURA E SUPPORTO

Il dispositivo DALI VEGA non richiede alcun trattamento particolare, al di là del tipo di cura che si darebbe normalmente ad altri oggetti di alto valore presenti nell'abitazione. Utilizzare un panno morbido e asciutto per rimuovere la polvere dallo chassis dell'unità.

DALI sconsiglia l'uso di liquidi o spray detergenti.

13. RISOLUZIONE DEI PROBLEMI BLUOS

L'indicatore luminoso multicolore accanto al logo BluOS indica anche lo stato BluOS dell'unità DALI VEGA:

	Codici colore dell'indicatore	Descrizione
	Rosso fisso, poi verde lampeggiante	Attivazione/riavvio dell'unità
	Verde fisso	Modalità hotspot
	Verde lampeggiante	Connessione alla rete
	Impulso bianco	Disponibilità di un aggiornamento software
	Rosso fisso	Modalità di aggiornamento
	Rosso e verde alternato lampeggiante	Aggiornamento
	Blu lampeggiante	Modalità Mute
	Bianco fisso	Indicizzazione
	Blu fisso	Stato di connessione alla rete, pronto all'uso con l'app BluOS
	Rosso lampeggiante	Ripristino delle impostazioni predefinite in corso
	Viola fisso	Modalità hotspot scaduta

Per maggiori informazioni, consultare la pagina di supporto Bluesound:

 [Pagina di supporto Bluesound](#)

14. AGGIORNAMENTO DEL FIRMWARE

Occasionalmente, tramite l'app BluOS, potrebbero essere resi disponibili degli aggiornamenti del firmware per l'unità DALI VEGA. L'aggiornamento del firmware può migliorare le prestazioni e l'affidabilità, oppure introdurre nuove funzionalità.



15. POTENZA ASSORBITA

Modalità Offline

Premere e tenere premuto il pulsante standby per 5 secondi. Tutte le connessioni verranno disabilitate riducendo al minimo la potenza assorbita, finché l'unità VEGA non sarà nuovamente riattivata premendo il pulsante di standby.

Modalità Networked Standby

Se per 20 minuti non viene riprodotto alcun segnale audio e non vengono effettuate selezioni da parte dell'utente, la modalità Networked Standby si attiva automaticamente. In questa modalità, qualsiasi azione dell'utente (compreso l'avvio della riproduzione musicale su qualsiasi sorgente collegata) riattiva automaticamente l'unità VEGA.

Disattivazione del Wi-Fi

Le funzionalità della rete wireless si disattivano automaticamente ogni volta che un cavo Ethernet viene collegato all'unità VEGA.

Modalità	Potenza assorbita	Attivazione	Disattivazione
Attivo (senza audio)	9,2 W	(Leggere "Modalità Networked Standby")	(Leggere "Modalità Networked Standby")
Networked standby (HiNA)	2,9 W	Automaticamente, dopo 20 minuti in assenza di segnale audio o senza operazioni da parte dell'utente	Qualsiasi operazione da parte dell'utente, incluso l'avvio della riproduzione sonora
Offline	< 0,7 W	Manualmente, tenendo premuto il pulsante di standby	Manualmente, premendo il pulsante standby

16. SPECIFICHE TECNICHE DELL'UNITÀ DALI VEGA

DALI VEGA	
Gamma di frequenze	32 - 22,700 Hz, ±3 dB
Max. SPL @ 1 m	110 dB
Frequenza di crossover	2,400 Hz
Principio del crossover	Crossover attivo a 2 vie, 8 canali
Driver per alte frequenze	4 × 25 mm a cupola morbida
Diaframma driver alte frequenze	Tessuto morbido intrecciato
Driver per basse/medie frequenze	4 × 4½ pollici
Diaframma driver basse/medie frequenze	Cono in fibra di carta/legno
Tipologia del cabinet	Struttura a massa accordata 2 × radiatori passivi rettangolari (3 × 6 pollici)
Frequenza di sintonizzazione del radiatore passivo	32 Hz
Tipo di amplificatore	BTL (Bridge-Tied Load) in Classe D
Potenza continua di uscita dell'amplificatore	8 × 50 W RMS
Potenza totale di uscita dell'amplificatore	400 W
Connessioni d'ingresso	1 × HDMI ARC 1 × ingresso analogico (RCA sbilanciato, stereo) 1 × ingresso ottico (Toslink, stereo) 1 × Audio USB / Servizio (HDD o unità USB)
Connessioni d'uscita	Uscita sub Alimentazione USB (5 V/1 A)
Filtro passa-basso uscita sub	120 Hz
Formati dell'ingresso digitale	PCM, stereo

DALI VEGA	
Ingresso/i wireless	Bluetooth BluOS Spotify Connect Tidal Connect Apple AirPlay 2
Codec di ingresso Bluetooth	AAC aptX aptX HD
Codec di ingresso BlueOS	MP3 AAC (M4A, MP4) WMA OGG FLAC ALAC (M4A) WMA-L MQA WAV AIFF (AIF, AIFC) PCM DSD256 (conversione da DSD a PCM)
Formati audio supportati in ingresso	Audio a 16-24 bit Frequenze di campionamento 32 / 44.1 / 48 / 96 / 192 kHz
Posizionamento consigliato	Posizione eretta: Spazio libero Posizione eretta: Vicino alla parete Posizione eretta: Vicino a un angolo/parete A parete: Orizzontale A parete: Verticale

Continua nella pagina successiva

16. SPECIFICHE TECNICHE DELL'UNITÀ DALI VEGA

DALI VEGA

Funzioni	Adaptive Orientation Adjustment (Regolazione Adattiva dell'Orientamento) Adaptive Stereo Enhancement™ Fino a 40 preset programmabili Sound adjust (Direct/Custom EQ) Rear wall distance (distanza dalla parete posteriore) Rilascio/cancellazione Bluetooth Ritardo audio HDMI Rilevamento del segnale/portante ottico Input sense (rilevazione del segnale in ingresso) LED setting (impostazione degli indicatori LED) Ripristino delle impostazioni predefinite Standby (Auto Power) Mute Attivazione/Spengimento Volume Selezione Sorgente
Potenza massima assorbita	250 W
Potenza assorbita in standby	≤ 3 W
Dimensioni (A × L × P)	143 x 683 x 243 mm 5.63 x 26.90 x 9.57 pollici
Dimensioni di spedizione (A × L × P)	330 x 870 x 200 mm 13.0 x 34.25 x 7.87 pollici
Peso	8.7 kg 19.18 lb
Peso di trasporto	13.3 kg 29.32 lb
Finitura	Dark Oak (Rovere scuro) Natural Oak (Rovere naturale)

DALI VEGA

Accessori inclusi	1 × Telecomando 2 × Batterie AAA (per il telecomando) 2 × Staffe da parete (lato muro) 2 × Staffe da parete (lato VEGA) 2 × Viti per staffe da parete lato VEGA 1 × Chiave a brugola M6 1 × Passacavi 1 × Cavo di alimentazione 1 × Scheda di Registrazione Prodotto 1 × Guida Rapida 2 × Dime per il montaggio a parete 1 × Manuale delle norme di sicurezza
-------------------	--

Ogni specifica tecnica può essere soggetta a variazioni senza alcun preavviso.

Note legali

I termini riportati di seguito si riferiscono a marchi commerciali o marchi registrati dei rispettivi proprietari:

Bluetooth®	Bluetooth SIG, Inc.
BluOS™	Bluesound International, a division of Lenbrook Industries Limited
HDMI®	HDMI Licensing Administrator, Inc.
Wi-Fi®	Wi-Fi Alliance

DALI VEGA

MANUAL

VERSÃO 1.0 - MARÇO DE 2026
PORTUGUÊS





CONTEÚDO

1.	Apresentação	174
2.	Conteúdo da embalagem	175
3.	Desembalar.....	176
4.	Conexão Wi-Fi e configuração do BluOS	177
5.	Posicionando o DALI VEGA.....	178
6.	Gerenciamento de cabos.....	180
7.	Montagem do DALI VEGA na parede	181
8.	Conexões com fio	186
9.	Configuração do DALI VEGA	189
10.	O DALI VEGA está em uso.....	195
11.	Conexão Bluetooth	200
12.	Cuidados e suporte.....	201
13.	Solução de problemas com BluOS.....	201
14.	Atualizações de firmware	202
15.	Consumo de energia.....	203
16.	Especificações do DALI VEGA.....	204

1. APRESENTAÇÃO

Parabéns pelo seu novo subwoofer DALI VEGA! O DALI VEGA é um sistema de som completo de última geração, projetado para ser a referência em desempenho para sistemas domésticos de música em uma unidade estilosa. O DALI VEGA combina uma qualidade de som fabulosa com imensa versatilidade, facilidade de uso intuitiva e um design dinamarquês de luxo envolvente e exclusivo.

Este manual do usuário descreve a configuração e a operação do DALI VEGA.

Você deve ler o manual antes de começar a configurar e usar seu DALI VEGA.

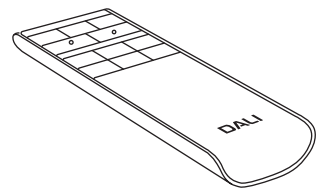
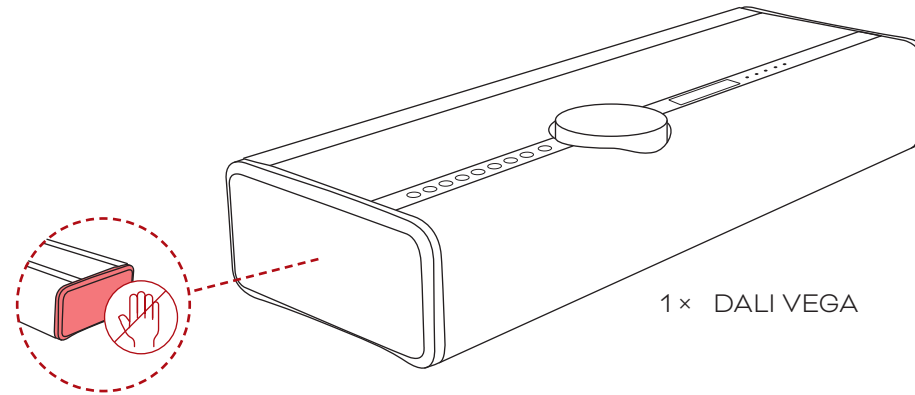
O manual começa com uma descrição do conteúdo da caixa do DALI VEGA e continua abordando o posicionamento, as conexões, a configuração e o uso diário do DALI VEGA.



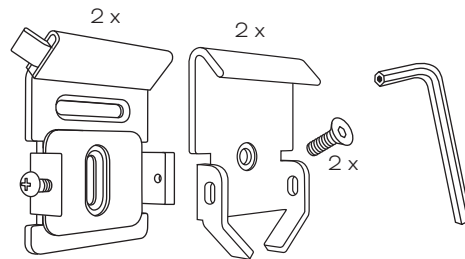
2. CONTEÚDO DA EMBALAGEM

O conteúdo da embalagem do DALI VEGA está ilustrado abaixo.

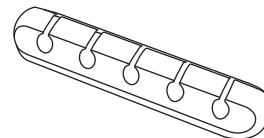
! Evite tocar nos drivers do radiador passivo em ambas as extremidades do DALI VEGA.



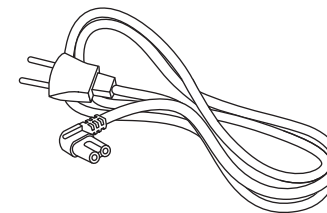
1 × controle remoto
2 × pilhas AAA (para controle remoto)



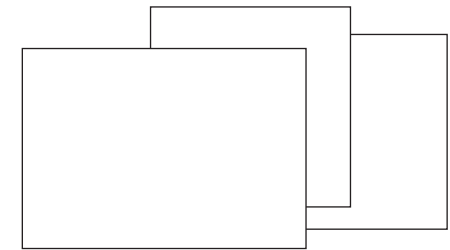
2 × suportes de parede (Parede)
2 × suportes de parede (VEGA)
2 × parafusos para suportes de parede VEGA
1 × chave Allen M6



1 × suporte de cabo

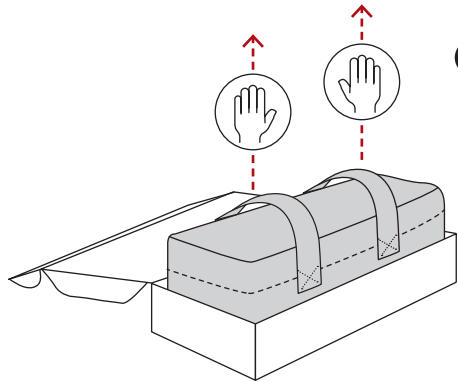


1 × cabo de alimentação

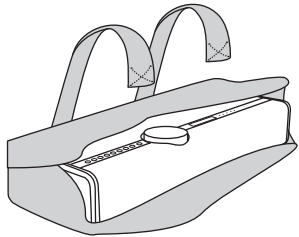


1 × Cartão de registro do produto
1 × Guia de início rápido
2 × Modelo de montagem na parede
1 × Manual de segurança

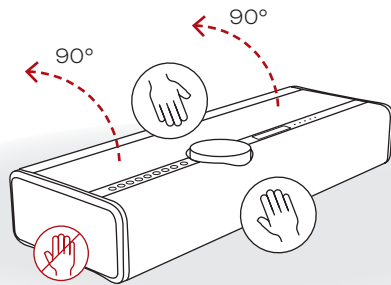
3. DESEMBALAR



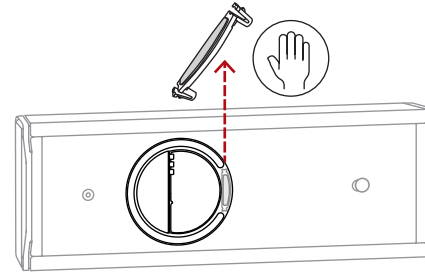
- 1** Abra a tampa da caixa e use as duas tiras para levantar o VEGA para fora da caixa.



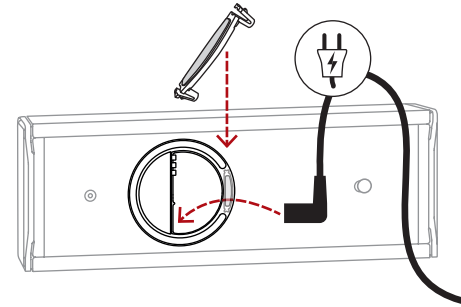
- 2** Solte as tiras de velcro e remova a capa.



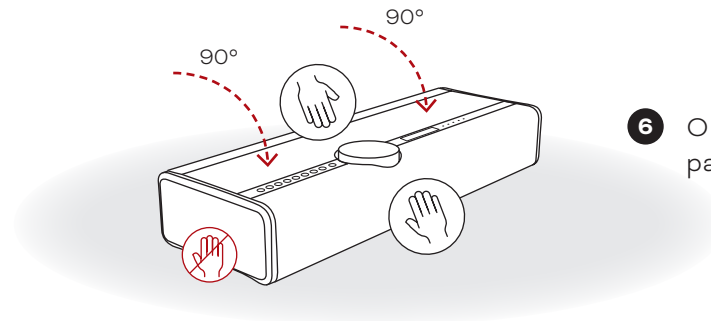
- 3** Incline o VEGA 90 graus para o lado voltado para trás. Abra e remova o clipe do cabo.



- 4** Conecte o cabo de alimentação e quaisquer cabos adicionais.



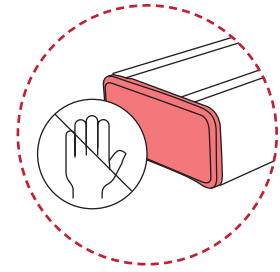
- 5** Encaixe o clipe do cabo e, em seguida, vire o VEGA sobre os pés.



- 6** O VEGA agora está pronto para conexão Wi-Fi.

! IMPORTANTE!

Ao desembalar, tome cuidado para não tocar nos radiadores passivos.



4. CONEXÃO WI-FI E CONFIGURAÇÃO DO BLUOS

1 Ligue o DALI VEGA

Aguarde até que o LED BluOS fique verde sólido, indicando o modo “Hotspot”.

2 Baixe o aplicativo BluOS

Usando seu smartphone ou tablet, baixe e abra o aplicativo BluOS.



3 Adicione o DALI VEGA à sua rede

O assistente “Adicionar Leitor” guiará você pelas etapas para concluir a configuração do BluOS.



Acesse bluesound.com/downloads para baixar o aplicativo

A configuração inicial da rede é feita usando o aplicativo BluOS no seu smartphone ou tablet. Tenha o aplicativo instalado e seu smartphone ou tablet por perto ao começar.

! Se você estiver usando um dispositivo iOS, o DALI VEGA também pode ser conectado à sua rede Wi-Fi por meio da opção “Configurar novo alto-falante AirPlay” nas configurações de Wi-Fi do iOS.



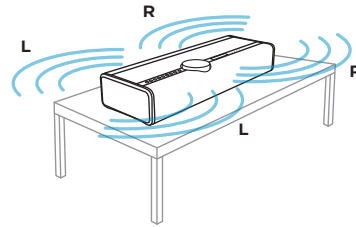
! Se a entrada LAN (rede) do seu DALI VEGA estiver conectada a um roteador doméstico ou switch de rede, não será necessária uma conexão Wi-Fi. O DALI VEGA ficará disponível para configuração no aplicativo BluOS Controller.

→ [Página de suporte Bluesound](#)

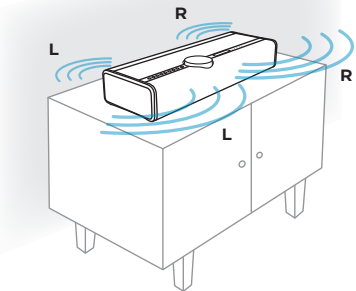
5. POSICIONANDO O DALI VEGA

O DALI VEGA oferece excelente versatilidade, tornando-o adequado para instalação em uma ampla variedade de locais residenciais. Ele pode ser colocado sobre uma mesa, um móvel, uma prateleira ou um parapeito de janela, por exemplo. E o DALI VEGA também pode ser montado na parede na orientação paisagem ou retrato usando o suporte de parede DALI VEGA opcional. Em termos de posicionamento do seu DALI VEGA, os únicos requisitos são acesso à rede elétrica e um roteador ou switch de rede, se você preferir uma conexão de rede cabeada.

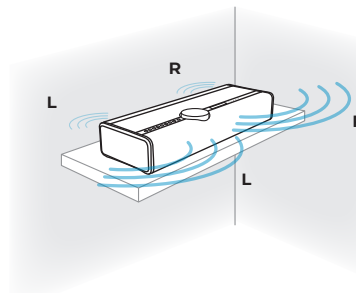
Dependendo da orientação do seu DALI VEGA, ele adaptará automaticamente o roteamento estéreo aos alto-falantes dianteiros e traseiros, conforme apropriado, para acomodar a orientação em pé, horizontal ou vertical. A orientação da tela também girará automaticamente.



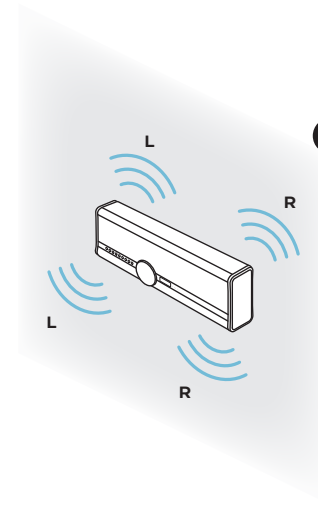
- 1 De pé: Espaço livre**
O DALI VEGA toca em ambas as direções: frente e trás.
Configuração Rear Wall Distance (Distância recomendada da parede) traseira: Free (Livre).



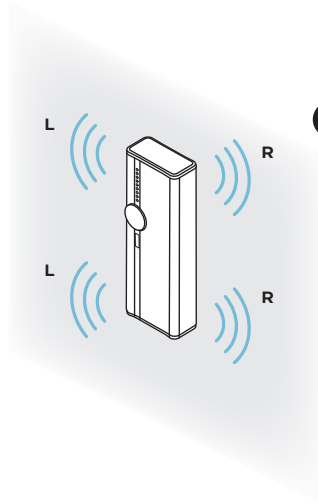
- 2 De pé: Perto da parede**
O DALI VEGA toca mais para a frente do que para trás.
Configuração Rear Wall Distance (Distância recomendada da parede) traseira: Medium (Média).



- 3 De pé: Perto do canto/ parede**
O DALI VEGA toca ainda menos para trás neste modo.
Configuração Rear Wall Distance (Distância recomendada da parede) traseira: Short (Curta).



- 4 Na parede: Paisagem**
O DALI VEGA toca em ambas as direções.
A distância recomendada da parede é definida automaticamente.



- 5 Na parede: Retrato**
O DALI VEGA toca em ambas as direções. Os drivers dianteiros tocam o canal esquerdo e os drivers traseiros tocam o canal direito.
A distância recomendada da parede é definida automaticamente.

5. POSICIONANDO O DALI VEGA

Adaptive Orientation Adjustment (Ajuste de Orientação Adaptável)

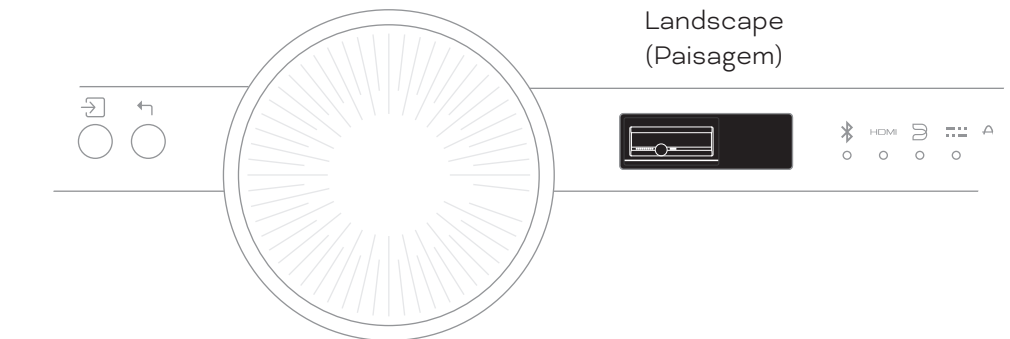
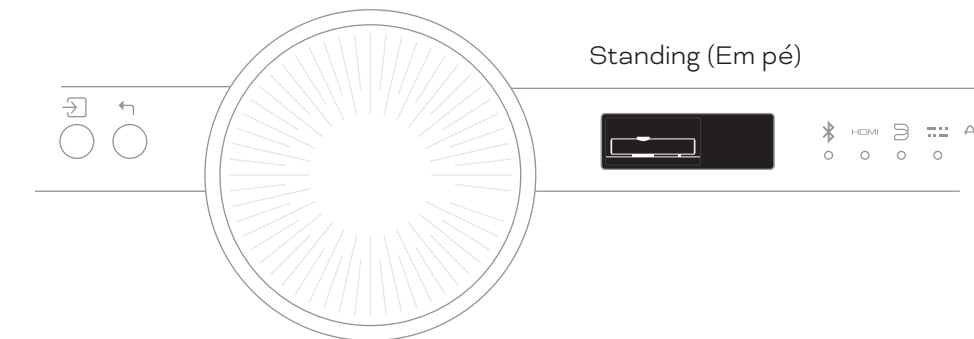
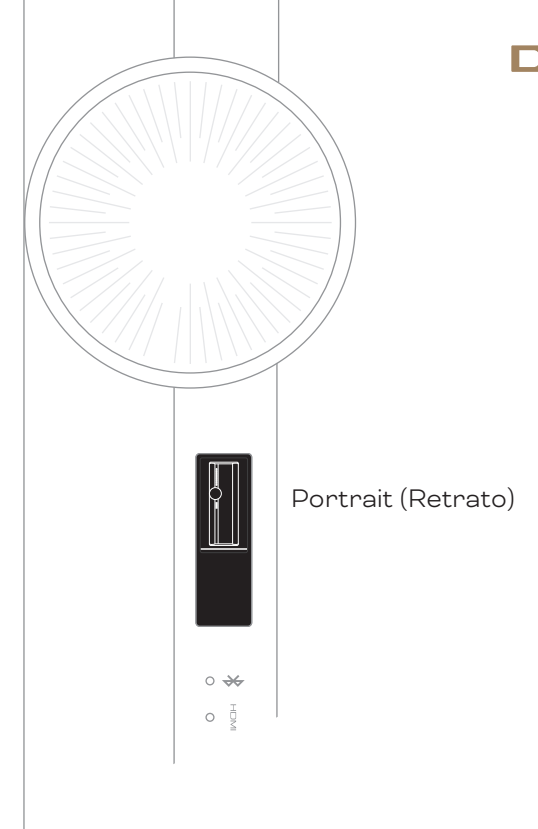
O DALI VEGA foi projetado com tecnologia avançada Ajuste de Orientação Adaptável desenvolvida internamente pelos engenheiros da DALI. O Ajuste de Orientação Adaptável permite a integração perfeita do seu DALI VEGA em qualquer espaço, não importa como você o posicione ou monte.

Equipado com um sensor de orientação, o VEGA detecta de forma inteligente sua orientação de montagem, seja em uma prateleira ou mesa, ou montado na parede no modo paisagem ou retrato. E ele reconfigura automaticamente o mapeamento de canais estéreo para proporcionar a melhor

fidelidade de áudio. Esse ajuste em tempo real melhora a precisão espacial e a imagem estéreo, proporcionando uma experiência auditiva sempre envolvente, independentemente do posicionamento.

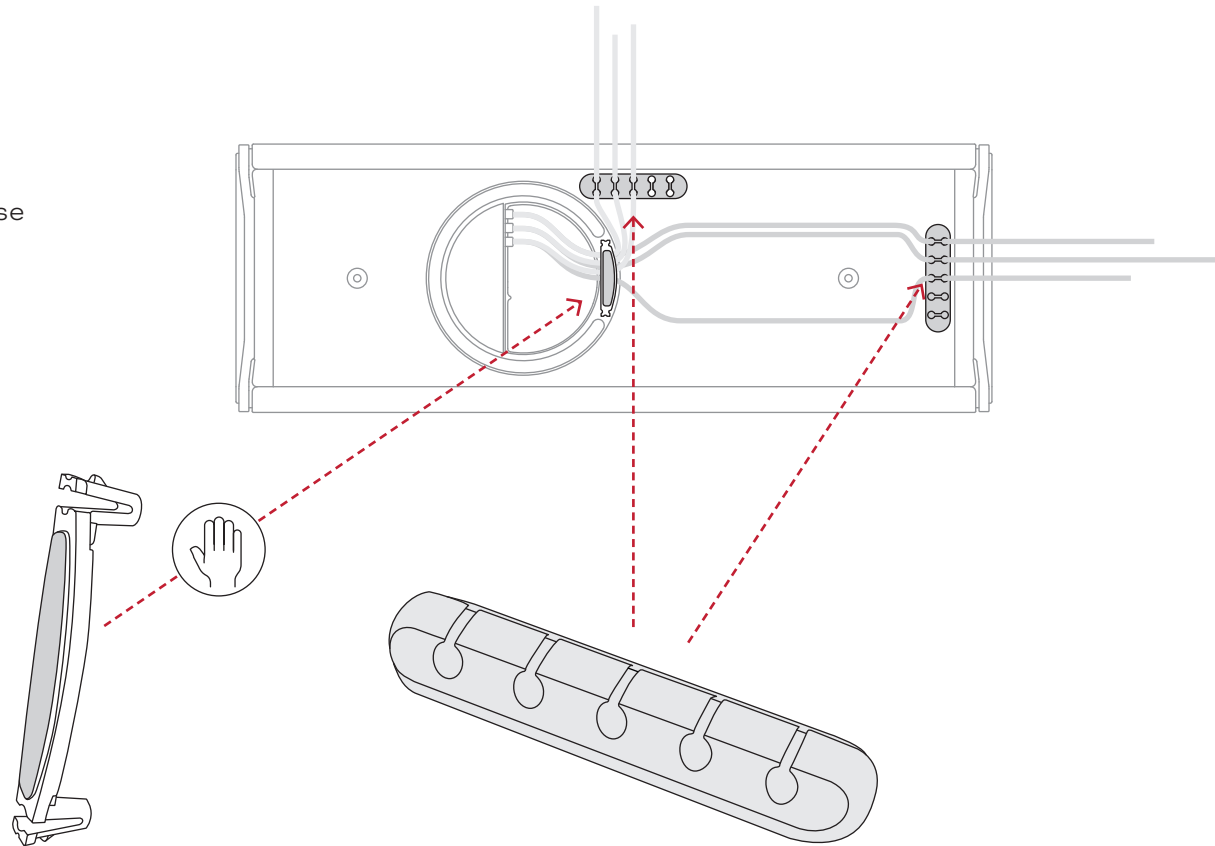
O Ajuste de Orientação Adaptável é um componente essencial da filosofia de design com consciência ambiental do VEGA, permitindo que ele se adapte acusticamente às preferências do usuário e eleve o desempenho musical com precisão e clareza.

Quando você posiciona o VEGA na orientação desejada, o visor do VEGA indicará o modo Ajuste de Orientação Adaptável ativado, mostrando um dos três logotipos.



6. GERENCIAMENTO DE CABOS

Na parte traseira do VEGA você encontra um clipe de cabo, que pode ser aberto usando os dedos em ambas as extremidades. Junto com o suporte de cabos fornecido, esse recurso permite fácil gerenciamento de cabos em qualquer orientação ou posicionamento.



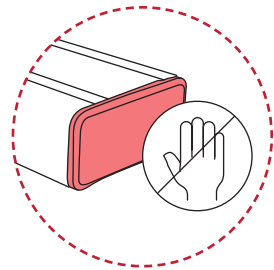
7. MONTAGEM DO DALI VEGA NA PAREDE

Para montar o DALI VEGA na parede no modo paisagem ou retrato, use os quatro suportes de parede inclusos.

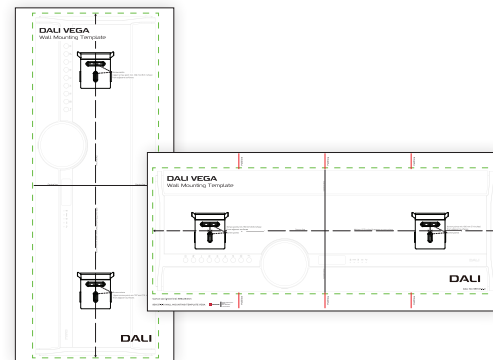
Dois dos suportes de parede são montados com os parafusos de suporte de parede inclusos na parte traseira do DALI VEGA usando a chave Allen M6.

Os dois suportes de parede restantes são montados na parede com quatro parafusos adequados (não inclusos).

Siga os passos nas próximas páginas.

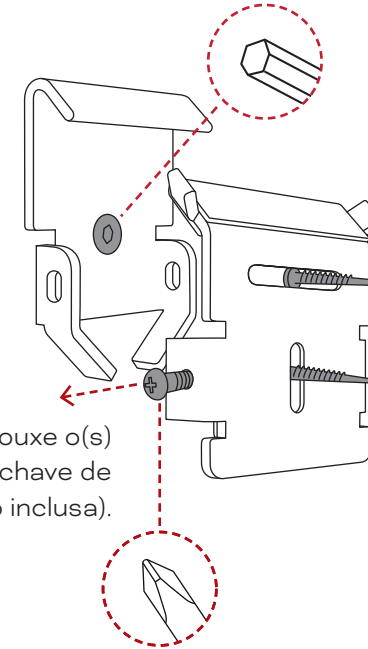


- ! Ao montar, tome cuidado para não tocar nos radiadores passivos.



Os suportes para o DALI VEGA são montados com um parafuso de suporte cada (incluso). Use uma chave Allen M6 e fixe os suportes firmemente.

Antes de montar o alto-falante, afrouxe o(s) parafuso(s) de segurança com uma chave de fenda Phillips (não inclusa).



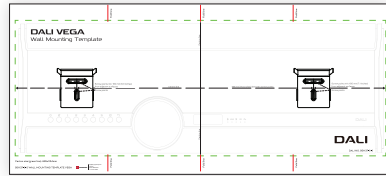
Os suportes para parede são montados com dois parafusos, adequados para o tipo de parede (não inclusos).

- ! Use os **Modelos de montagem em parede** inclusos para determinar facilmente o posicionamento de montagem dos seus suportes de parede.

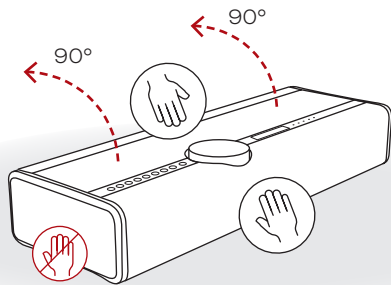
Dois **modelos de montagem em parede** estão inclusos: um para orientação paisagem e outro para orientação retrato.

7. MONTAGEM DO DALI VEGA NA PAREDE

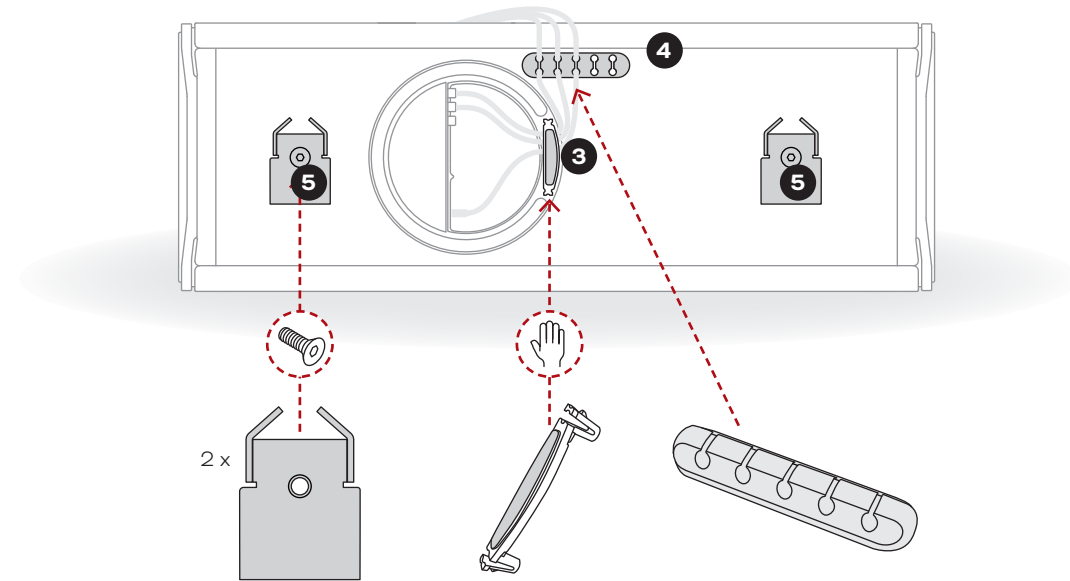
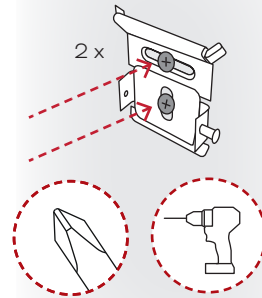
Orientação paisagem (1/2)



- 1 Use o modelo de montagem em parede em orientação paisagem incluso para marcar os pontos de perfuração 2 x 2 e, em seguida, monte os dois suportes na parede.
- 2 Incline o VEGA 90 graus para o lado voltado para trás.



! NÃO coloque o VEGA sobre a frente ou lateral superior, pois isso pode arranhar acidentalmente o botão de volume.

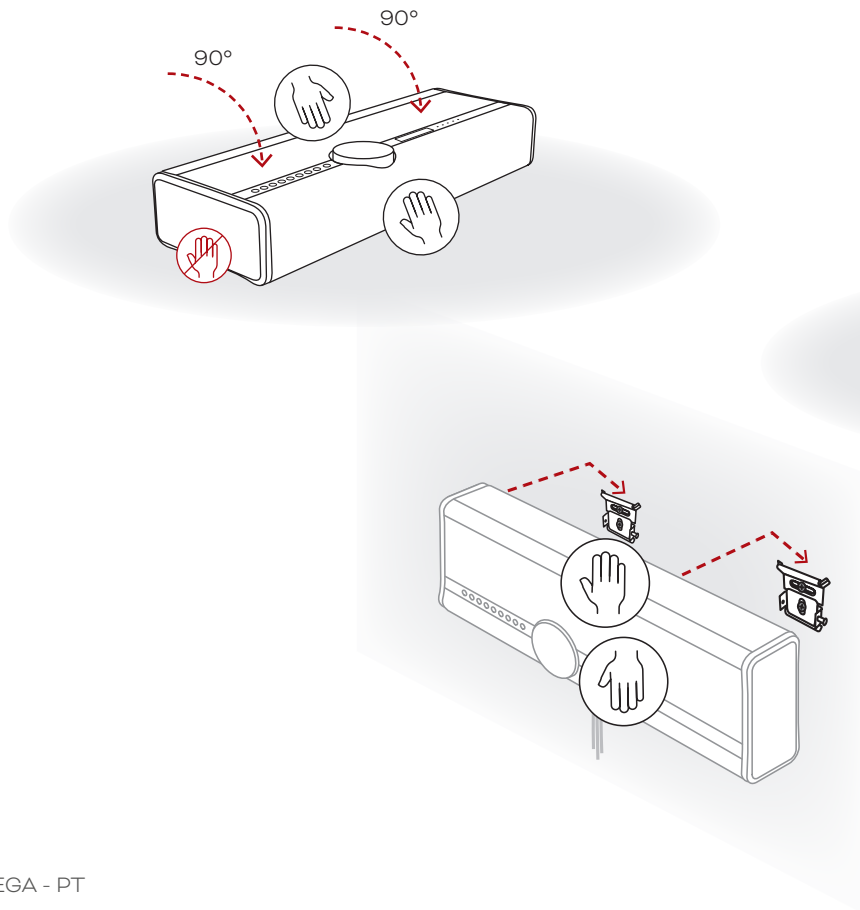


- 3 Monte os suportes de parede VEGA para orientação paisagem.
- 4 Coloque o suporte de cabos autoadesivo e passe os cabos por ele.
- 5 Remova o clipe do cabo, conecte os cabos e recoloca o clipe do cabo.

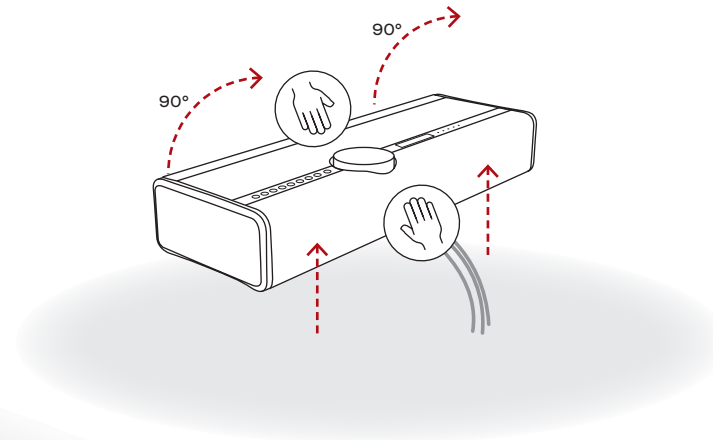
7. MONTAGEM DO DALI VEGA NA PAREDE

Orientação paisagem (2/2)

6 Coloque o VEGA de volta em pé.

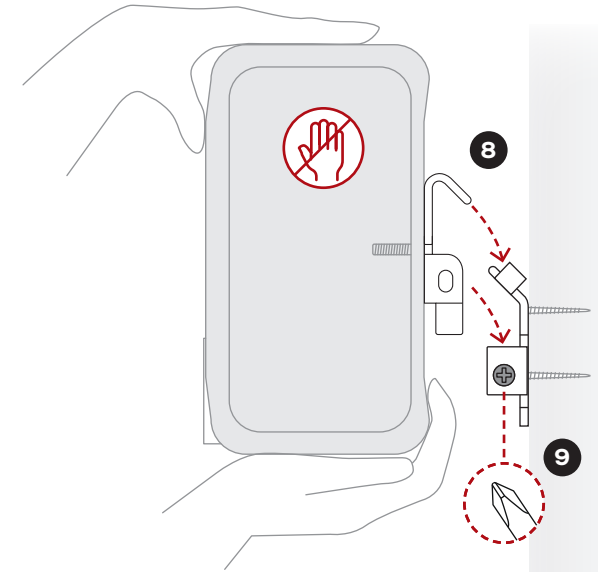


7 Levante o VEGA e vire a parte inferior (e os suportes de parede) em direção à parede.



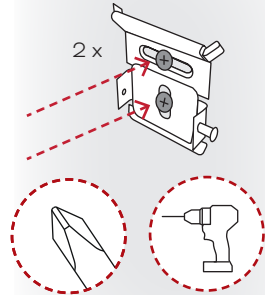
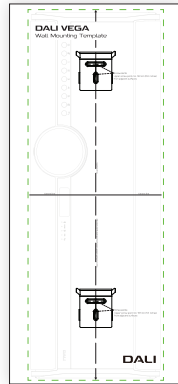
8 Levante cuidadosamente o VEGA até a posição correta e fixe-o nos suportes.

9 Aperte os parafusos de segurança usando uma chave de fenda Phillips.



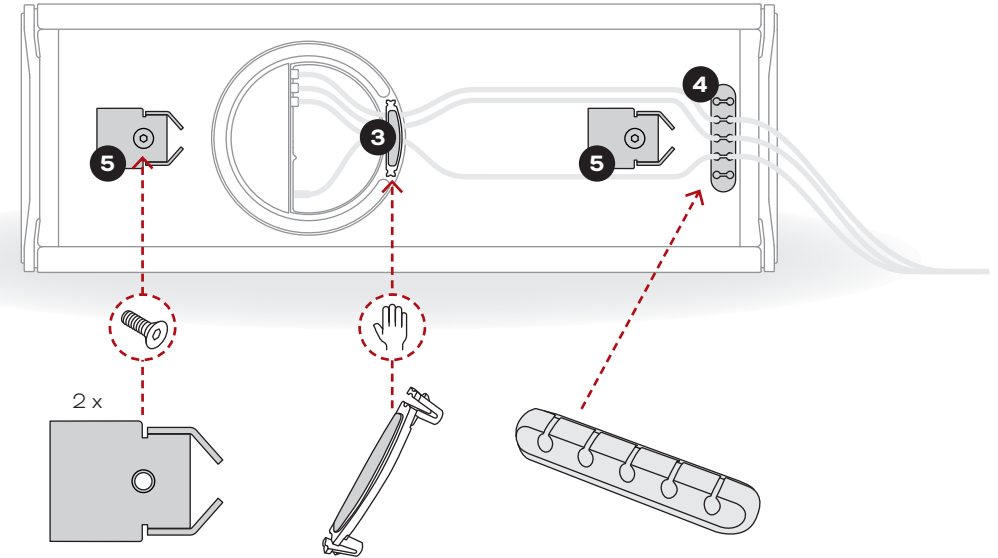
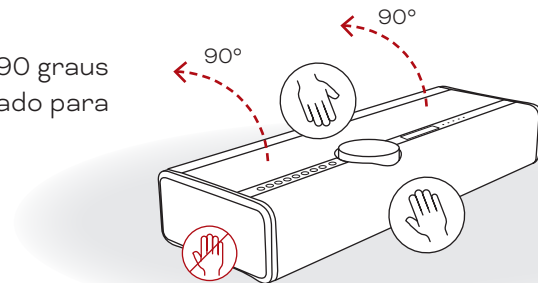
7. MONTAGEM DO DALI VEGA NA PAREDE

Orientação retrato (1/2)



- 1 Use o modelo de montagem em parede em orientação retrato incluso para marcar os pontos de perfuração 2×2 e, em seguida, monte os dois suportes na parede.

- 2 Incline o VEGA 90 graus para o lado voltado para trás.

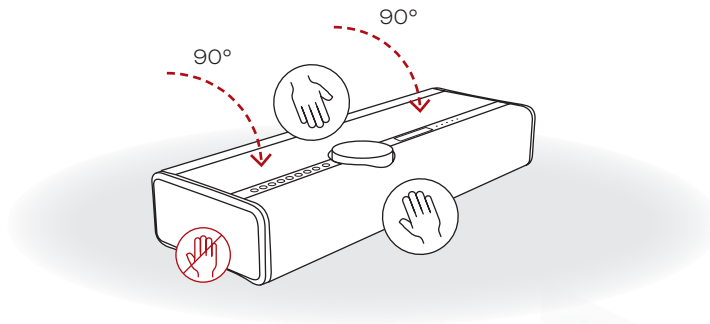


- 3 Remova o clipe do cabo, conecte os cabos e recoloque o clipe do cabo.
- 4 Coloque o suporte de cabos autoadesivo e passe os cabos por ele.
- 5 Monte os suportes de parede VEGA para orientação retrato.

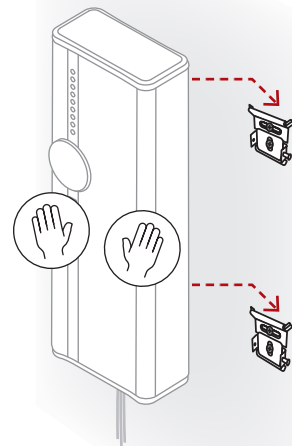
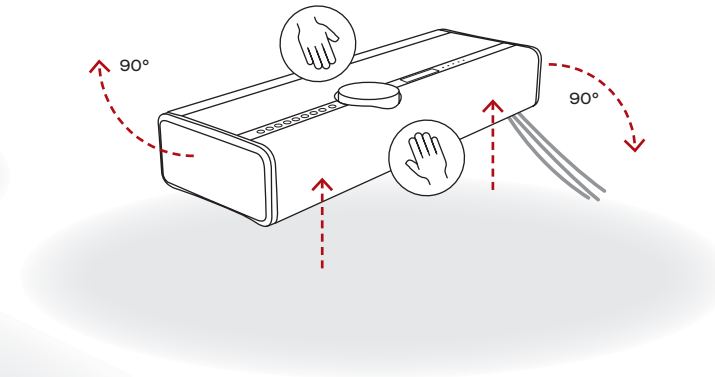
7. MONTAGEM DO DALI VEGA NA PAREDE

Orientação retrato (2/2)

6 Coloque o VEGA de volta em pé.

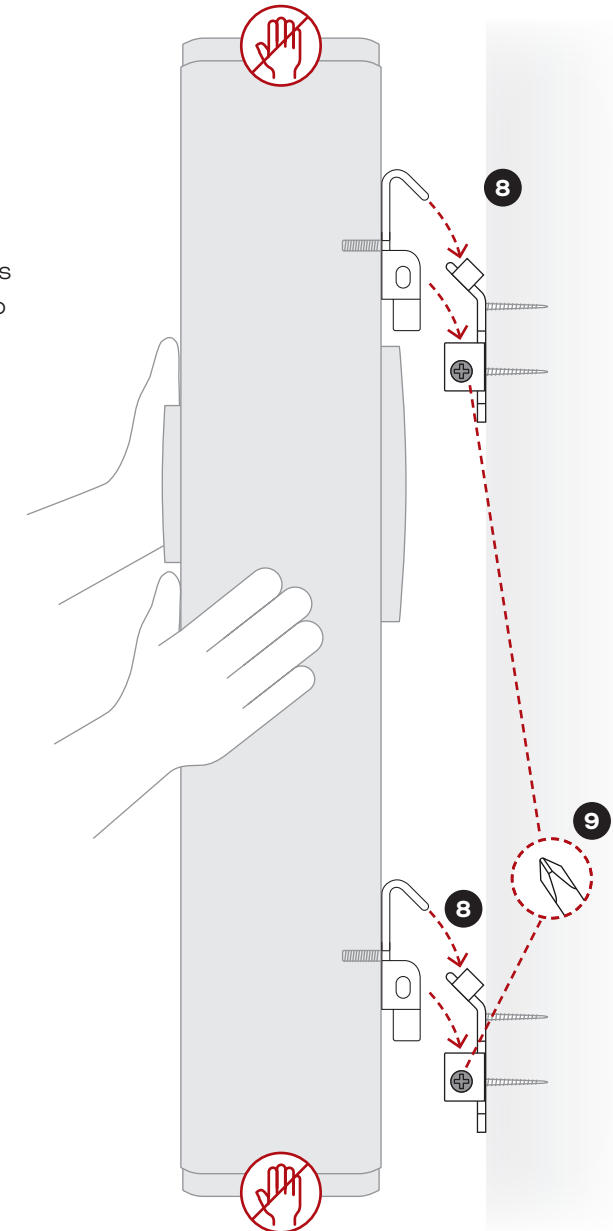


7 Levante o VEGA, vire a parte inferior (e os suportes de parede) em direção à parede e gire-o no sentido horário para a orientação retrato.



8 Levante cuidadosamente o VEGA até a posição correta e fixe-o nos suportes.

9 Aperte os parafusos de segurança usando uma chave de fenda Phillips.



8. CONEXÕES COM FIO

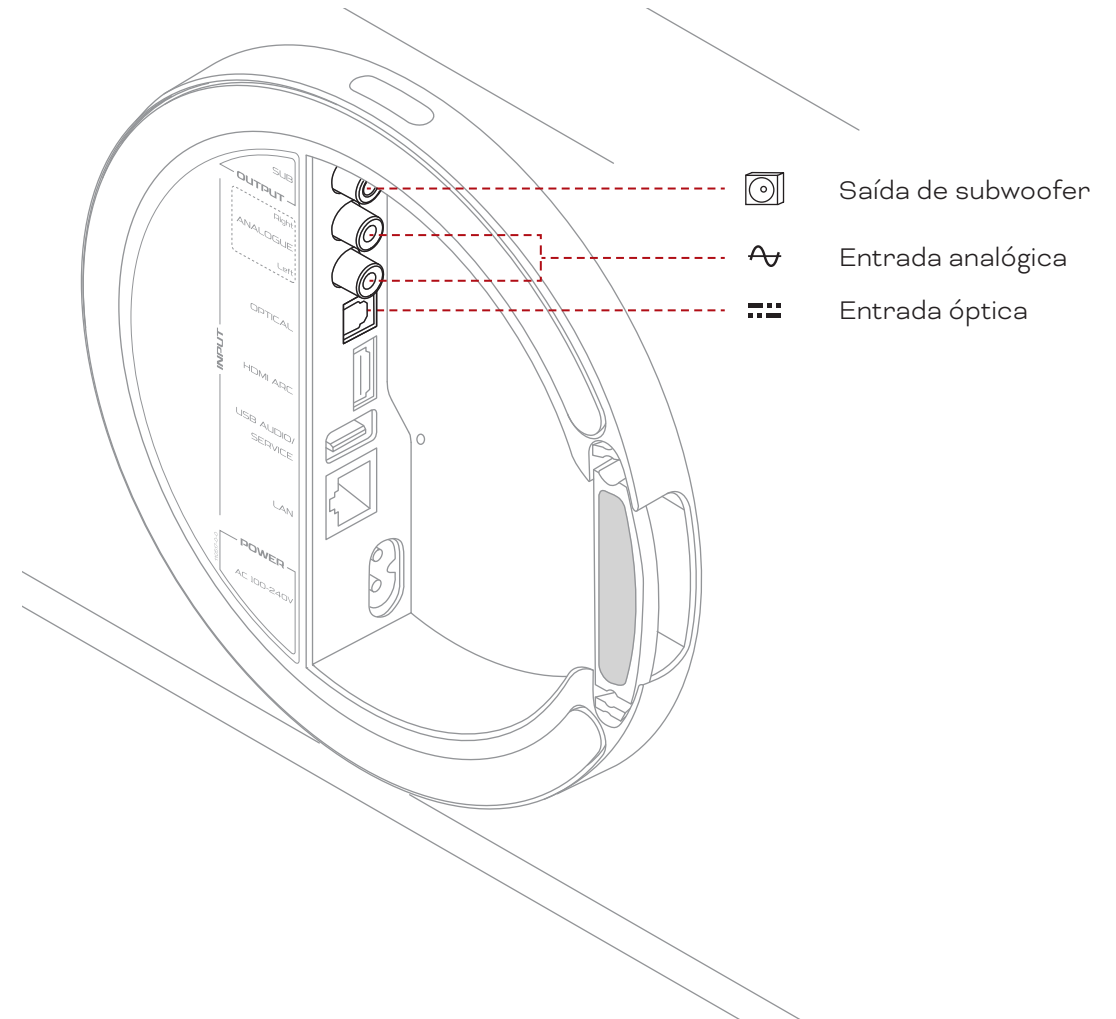
O DALI VEGA oferece uma ampla variedade de opções de conexão para integração ao seu sistema de áudio doméstico.

As tomadas de conexão com fio estão localizadas no painel de conexão e incluem as seguintes opções:

Subwoofer Output (Saída de subwoofer): Um único conector RCA Phono permite que você conecte um subwoofer externo para melhorar o desempenho de graves do DALI VEGA. O sinal de saída do subwoofer é mono e filtrado passa-baixas para 120 Hz.

Analogue Input (Entrada analógica): Um par estéreo de conectores RCA Phono permite a conexão de uma fonte de áudio externa com saídas de nível de linha. Pode ser um CD player ou toca-discos com RIAA integrado, por exemplo.

Optical Input (Entrada óptica): Um soquete de áudio digital óptico TOSLINK permite a conexão de uma fonte de áudio externa com uma saída digital óptica. Pode ser uma TV ou um CD player, por exemplo.



8. CONEXÕES COM FIO

HDMI ARC: Se você tiver uma TV com um conector HDMI ARC (Audio Return Channel), conecte-a ao conector HDMI ARC do seu DALI VEGA. Também pode ser necessário selecionar alto-falantes externos para reprodução de áudio e habilitar o CEC (Consumer Electronics Control) no menu de configurações da sua TV. O formato de saída de áudio da TV deve estar definido como “PCM” ou “Stereo”.

Usando HDMI e CEC, você pode usar o controle remoto da sua TV para controlar as funções de Volume, Mudo e Espera do seu DALI VEGA.

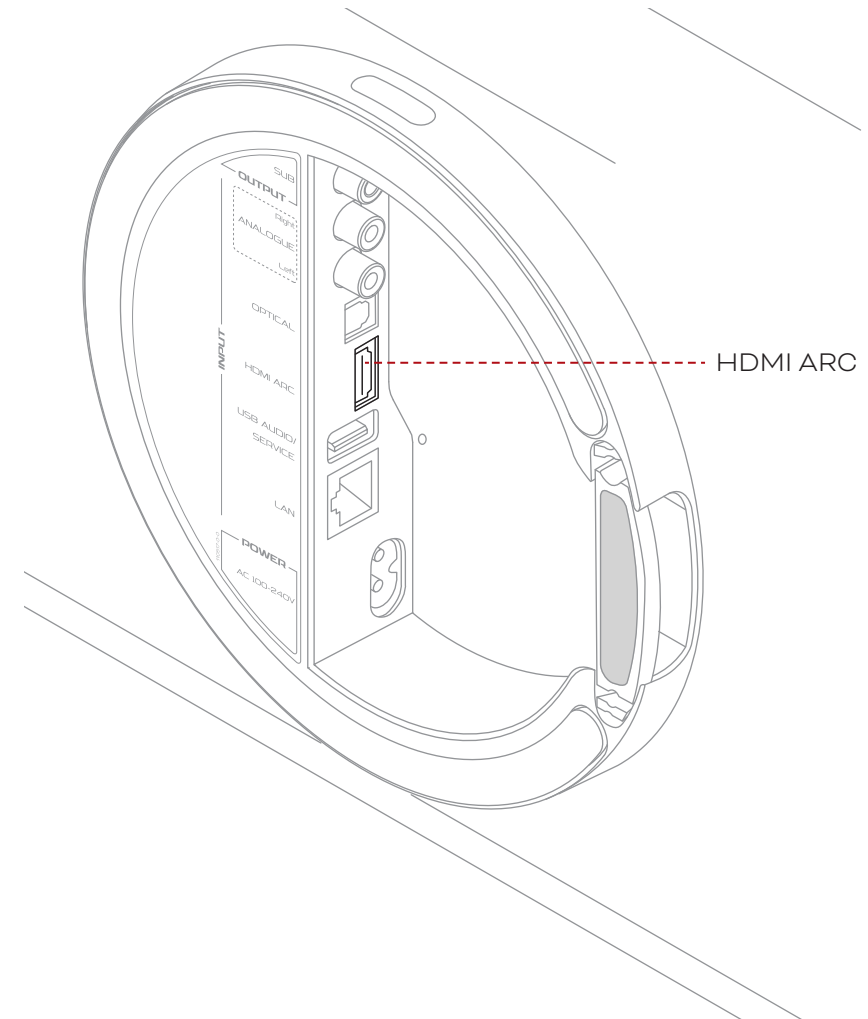
! Se sua TV não for compatível com HDMI ARC ou se você tiver problemas de compatibilidade com HDMI, a DALI recomenda usar uma conexão óptica da saída de áudio óptica da TV para seu DALI VEGA.

Nesse cenário, você ainda pode usar a conexão HDMI para controlar o DALI VEGA via CEC usando o controle remoto da TV.

Para usar o controle remoto da TV para controlar funções básicas do DALI VEGA (volume, mudo, ligar/desligar) via HDMI, o HDMI CEC deve estar habilitado na sua TV.

O HDMI CEC tem nomes diferentes dependendo da marca da TV:

- Samsung: Anynet+
- LG: SimpLink
- Sony: Bravia Sync
- Phillips: EasyLink
- Panasonic: Viera Link
- Hitachi: HDMI-CEC



8. CONEXÕES COM FIO

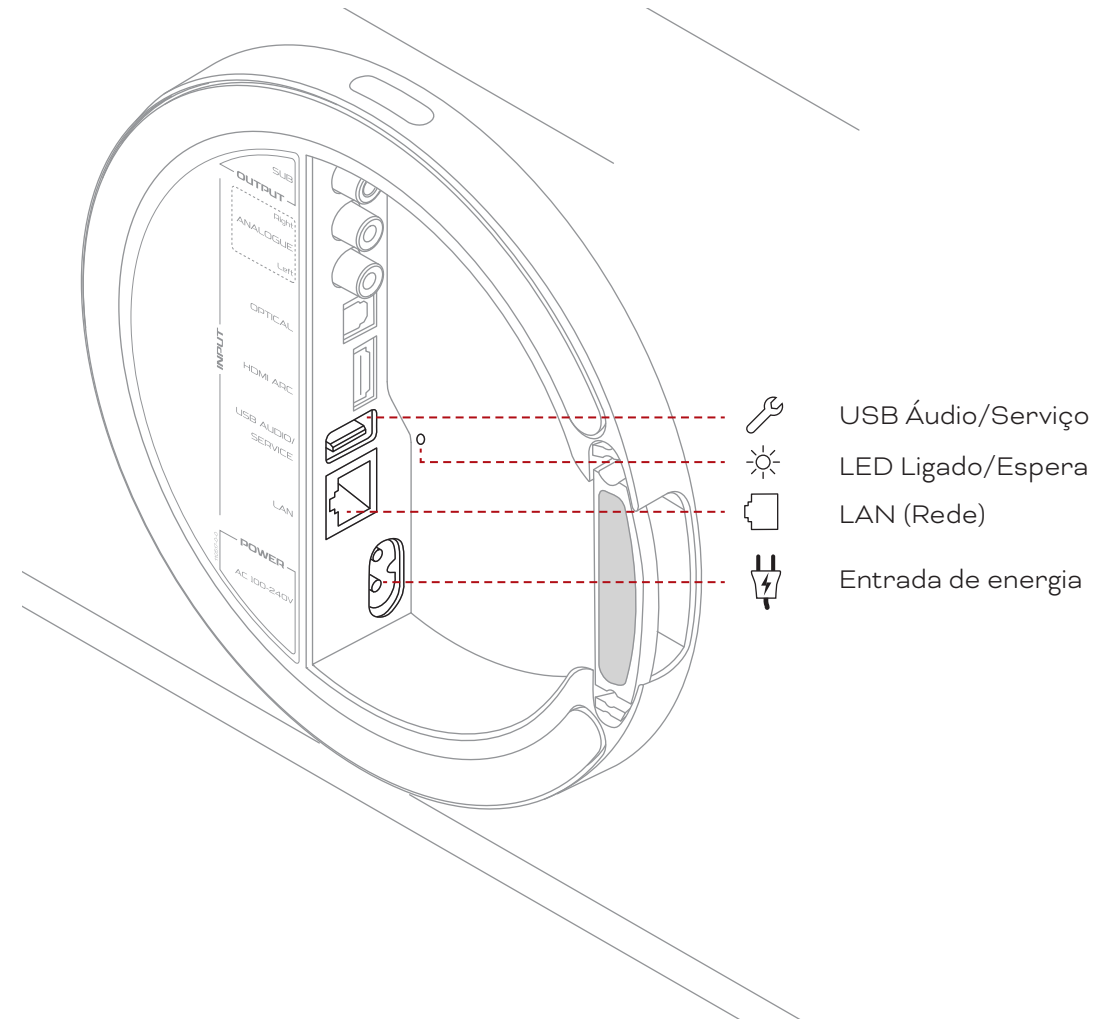
USB Audio/Service: A entrada USB DALI VEGA tem duas funções. Em primeiro lugar, permite que arquivos de música armazenados em mídias de armazenamento USB, como discos rígidos e pen drives, sejam reproduzidos pelo DALI VEGA e disponibilizados via BluOS na rede doméstica à qual o DALI VEGA está conectado. Em segundo lugar, a entrada USB DALI VEGA permite atualizações de software e funções de serviço.

→ [Getting started with BluOS \(Introdução ao BLuOS\)](#)

LED Power/Standby (Ligado/Espera): O LED Power/Standby indica o estado de energia do DALI VEGA.

LAN (Rede): A entrada de rede DALI VEGA fornece os recursos de streaming de música do aplicativo BluOS por meio de uma conexão de rede com fio. Se o seu DALI VEGA for usar uma conexão de rede com fio, conecte a entrada de rede a um roteador ou switch de rede doméstica usando um cabo de rede padrão.

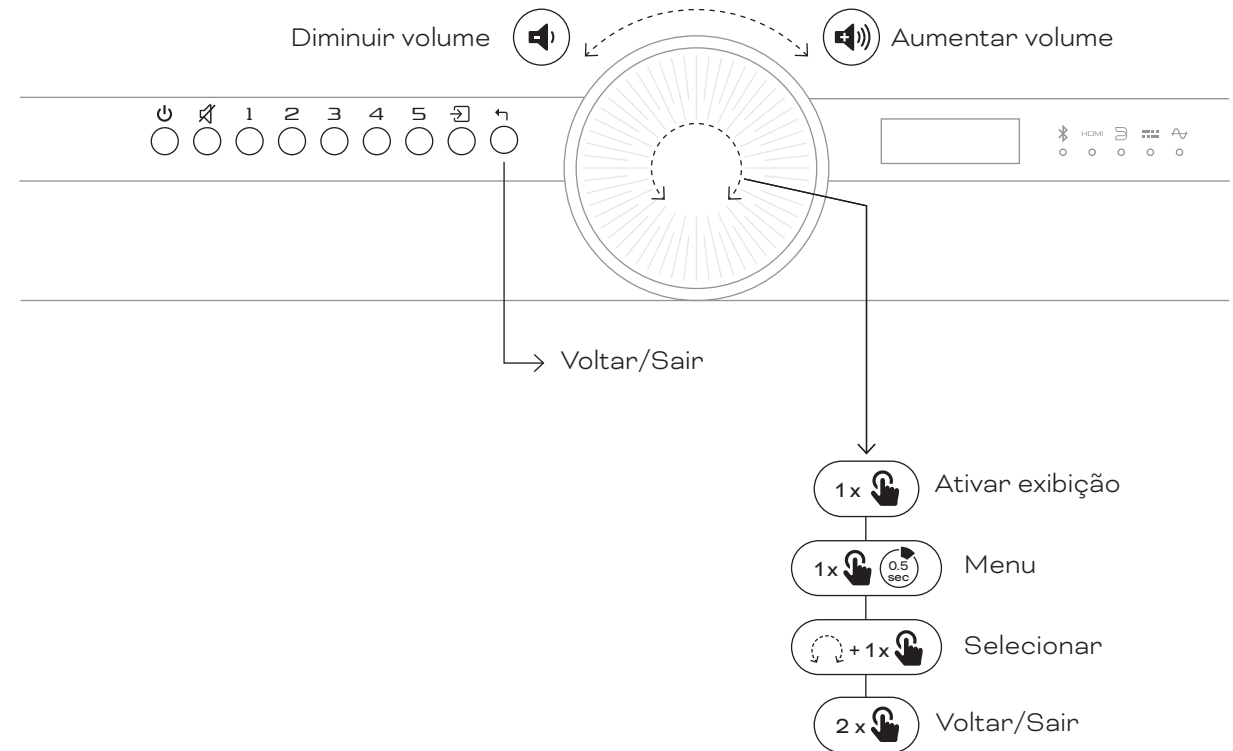
Power (Entrada de energia): Conecte seu DALI VEGA à rede elétrica usando o cabo de alimentação fornecido.



9. CONFIGURAÇÃO DO DALI VEGA

Com seu DALI VEGA posicionado e conectado à rede elétrica, à rede sem fio e às fontes com fio necessárias, você pode começar a configuração.

O DALI VEGA é configurado usando o menu de exibição. Use a **Volume Wheel (roda de volume)** para selecionar as opções do menu. Toque na superfície da **roda de volume** para confirmar as seleções. Use o botão **Back/Exit (Voltar/Sair)** à esquerda da **roda de volume** para salvar as opções selecionadas e, simultaneamente, voltar pelos menus de configuração.



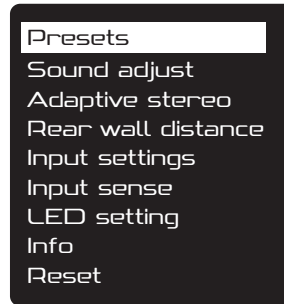
9. CONFIGURAÇÃO DO DALI VEGA

Menus do DALI VEGA

Para acessar os menus de configuração do DALI VEGA, toque e segure o centro da **roda de volume** uma vez. O nível superior dos menus de configuração será exibido no visor. Gire a **roda de volume** para rolar o menu para cima e para baixo e toque no centro da roda de volume novamente para selecionar uma opção de menu e entrar em seu submenu.

As opções de configuração disponíveis em cada item de menu de nível superior são descritas nos parágrafos a seguir.

! Se nenhuma seleção for feita em um menu dentro de 10 segundos, o visor DALI VEGA retornará à tela de abertura.



Presets

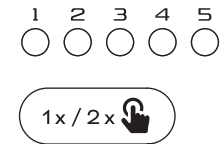
O menu **Presets (Predefinições)** exibe e permite a ativação das predefinições feitas no aplicativo BluOS. Um total de 10 predefinições do BluOS podem ser atribuídas (por meio do aplicativo BluOS) aos cinco botões de Preset à esquerda do controle de volume.

Presets 1 a 10

Os botões **Preset** permitem a seleção imediata de quaisquer itens armazenados, como estações de rádio ou serviços de streaming.

Um único toque ativa os presets de 1 a 5. Um toque duplo ativa os presets de 6 a 10.

Presets do BluOS adicionais salvos podem ser encontrados no menu **Presets**, onde até 40 presets podem ser ativados. Você pode atribuir qualquer fonte selecionada no momento - como uma estação de rádio da Internet ou serviço de streaming - a um dos botões Preset para acesso rápido.



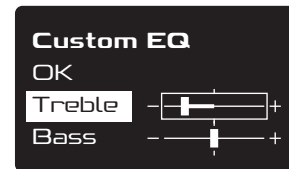
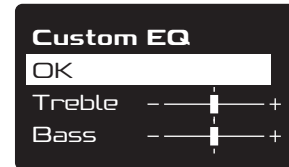
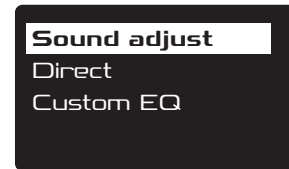
→ [Como adicionar ou excluir um Preset](#)

9. CONFIGURAÇÃO DO DALI VEGA

Sound adjust (Ajuste de som)

O menu **Sound adjust** permite seleccionar áudio **Direct** (som DALI VEGA padrão) ou **Custom EQ** (equalização personalizada).

Se a opção **Custom EQ** for seleccionada, um visor oferece ajuste de graves e agudos, +/- 10 dB, em etapas de 2 dB. Ajuste os graves e agudos usando a **roda de volume**.

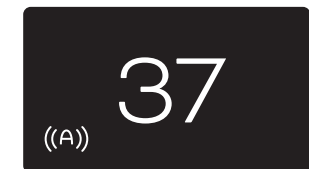
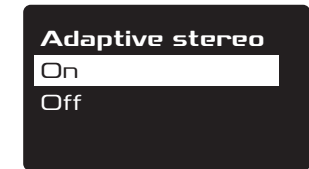


DALI Adaptive Stereo Enhancement™

O DALI VEGA incorpora a tecnologia Adaptive Stereo Enhancement (ASE) desenvolvida pela DALI, que pode melhorar a experiência estéreo de alto-falantes compactos, tornando o som mais expansivo, envolvente e envolvente. O DALI Adaptive Stereo Enhancement é ativado por padrão, mas pode ser desativado se preferir.

O menu **Adaptive stereo (Estéreo adaptável)** permite ativar ou desativar o Adaptive Stereo Enhancement. Selecione a opção desejada usando a **roda de volume**.

- Quando o Adaptive Stereo Enhancement estiver ativado, será indicado com o logotipo ASE ((A)) no canto inferior esquerdo da tela principal.

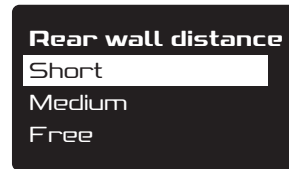


9. CONFIGURAÇÃO DO DALI VEGA

Rear wall distance (Distância da parede traseira)

O som do seu DALI VEGA, como qualquer alto-falante, é afetado pela presença de limites de ambientes próximos. O menu **Rear wall distance** permite o ajuste do som do DALI VEGA com base na distância da parede.

Use a **roda de volume** para selecionar a opção que melhor corresponde à distância do seu DALI VEGA da parte traseira.

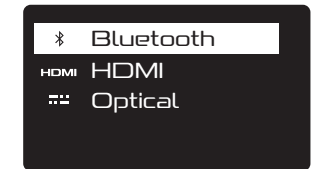


- Short (Curta):** Menos de 10 cm (3,9 polegadas) de distância da parede traseira
- Medium (Média):** Menos de 10 cm (3,9 - 19,6 50 polegadas) de distância da parede traseira
- Free (Livre):** Menos de 50 cm (19,6 polegadas) de distância da parede traseira

O men **Rear wall distance** é desativado quando o DALI VEGA é montado na parede.

Input settings (Configurações de entrada)

O menu **Input settings** permite a configuração de opções específicas para as entradas Bluetooth, HDMI e óptica.



As opções são:

- Bluetooth:** Release connection (libere a conexão) e Clear pairings (limpe os pareamentos).
- HDMI:** Audio delay (Atraso de áudio).
- Optical:** Signal detect (detecção de sinal) e Carrier detect (detecção de transmissor).

- !** O atraso de áudio HDMI permite ptimizar a sincronização labial da TV.

A detecção de sinal de entrada óptica e a detecção de transmissor permitem que o DALI VEGA seleccione automaticamente sua entrada óptica quando a fonte óptica for ligada ou somente quando um sinal de áudio estiver presente.

9. CONFIGURAÇÃO DO DALI VEGA

Input sense (Detecção de entrada)

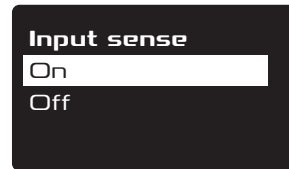
O menu **Input sense** permite que o DALI VEGA ligue a partir do modo de espera assim que um sinal estiver presente em qualquer entrada e desligue automaticamente após 20 minutos se nenhum sinal de entrada estiver presente.

Input sense pode ser ativado ou desativado. Selecione a opção desejada usando a **roda de volume**.

! As entradas analógicas e ópticas são selecionadas automaticamente quando um sinal de áudio é detectado, desde que o sensor de entrada esteja habilitado (**On**) e o VEGA não esteja tocando no momento.

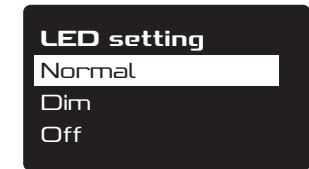
As entradas Bluetooth e BluOS serão selecionadas automaticamente quando o botão Play da fonte for pressionado.

A entrada HDMI ARC será selecionada automaticamente quando uma TV conectada for ligada se o VEGA não estiver tocando no momento.



LED Setting (Configuração de LED)

O menu **LED setting** permite ajustar o brilho dos LEDs indicadores do DALI VEGA. Selecione a opção desejada usando a **roda de volume**.

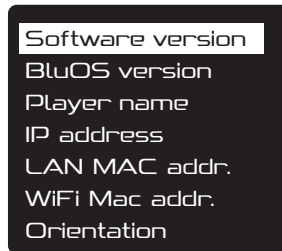


! Se o menu LED setting estiver definido como **Off (Desligado)**, os LEDs do DALI VEGA ficam sempre desligados e a seleção da fonte atual é exibida no canto inferior direito do visor.

9. CONFIGURAÇÃO DO DALI VEGA

Info (Informações)

O menu **Info** exibe informações do sistema que podem ser úteis para solução de problemas. Use a **roda de volume** para selecionar e visualizar as informações necessárias e sair do menu usando o botão **Voltar/Sair**.



Reset (Redefinir)

O menu **Reset** permite que você exclua suas configurações de usuário do DALI VEGA.

Use a **roda de volume** para selecionar a opção desejada e sair do menu usando o botão **Voltar/Sair**.



- ! A opção **Settings (Configurações)** redefine todas as configurações do usuário, incluindo pareamentos Bluetooth, mas excluindo predefinições BluOS e configuração de Wi-Fi.

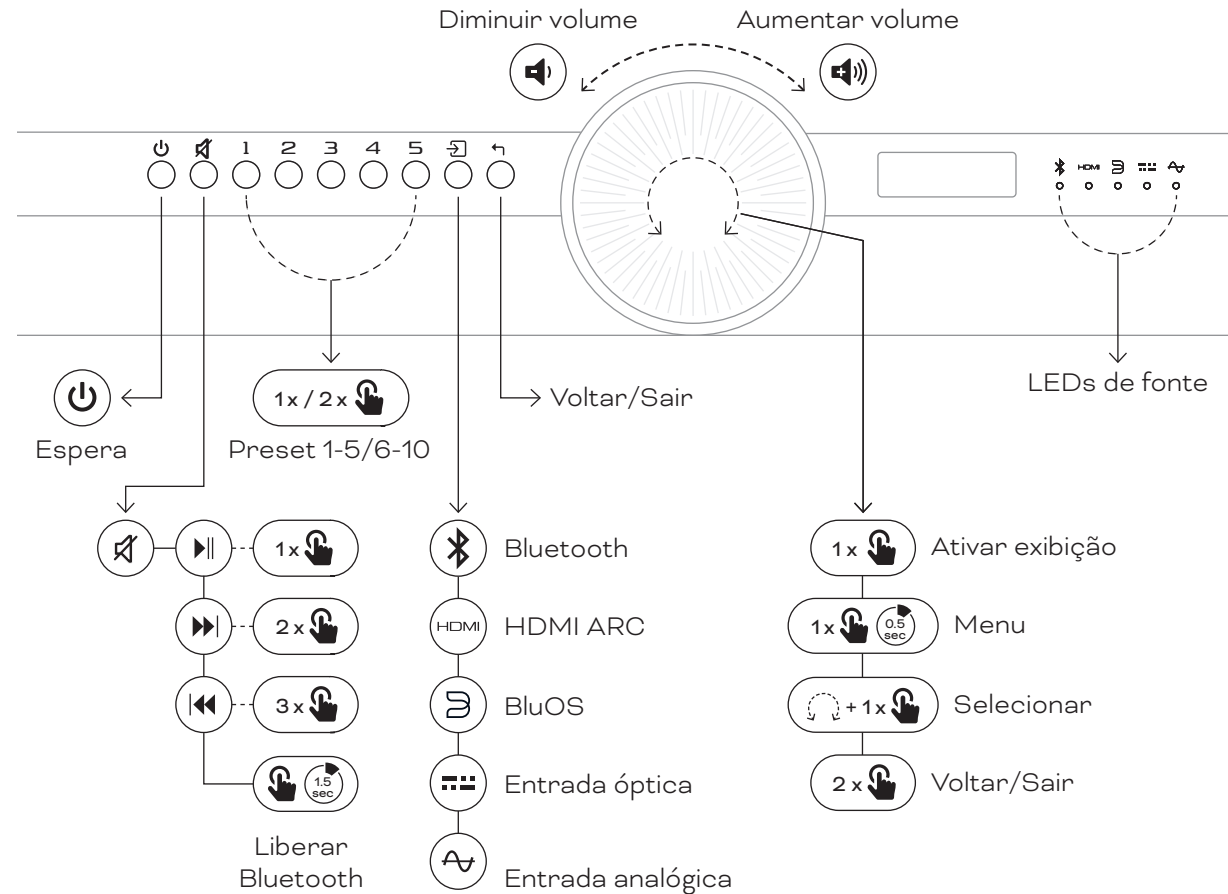
A opção **BluOS/Wi-Fi** exclui as predefinições BluOS salvas e redefine a conexão Wi-Fi, retornando o DALI VEGA ao Modo BluOS Hotspot, pronto para uma nova conexão Wi-Fi.

A opção **All (Todos)** combina as outras duas opções de redefinição.

10. O DALI VEGA ESTÁ EM USO

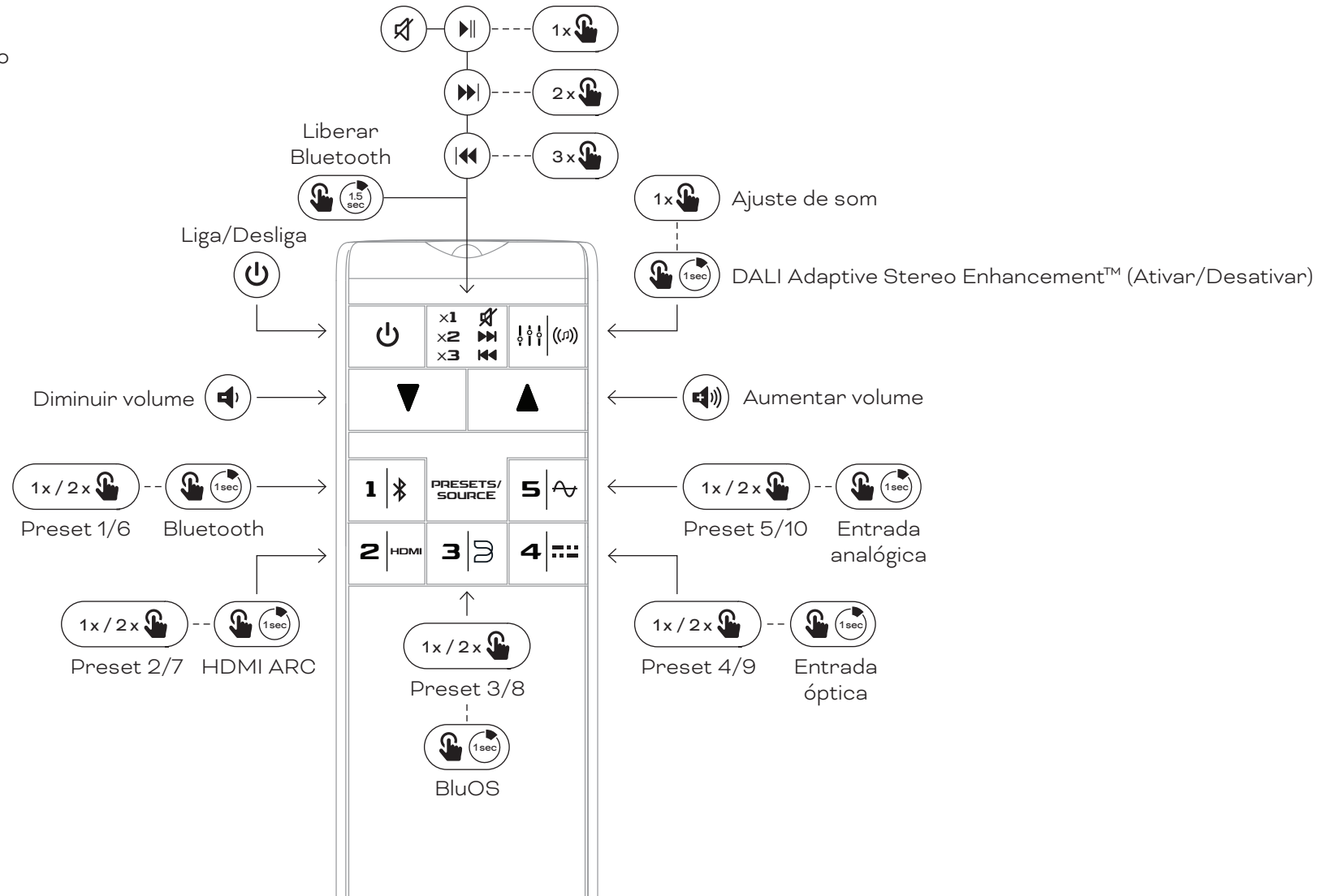
Com o DALI VEGA posicionado, conectado e configurado, é hora de desfrutar da sua performance com a sua música favorita.

Para controlar o DALI VEGA, você pode usar os **Botões** incorporados e a **roda de volume** ou o **Controle remoto**. O controle remoto e seus botões são ilustrados na próxima página.



10. O DALI VEGA EM USO

O controle remoto do DALI VEGA duplica as funções mais utilizadas do alto-falante DALI VEGA.




10. O DALI VEGA EM USO

Botões e roda de volume do DALI VEGA

Da esquerda para a direita, os botões do DALI VEGA fornecem as seguintes funções:

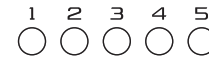
Botão de espera

Pressione o botão espera para ativar seu DALI VEGA ou retorná-lo ao modo de espera.

 O consumo de energia do DALI VEGA no modo de espera é inferior a 0,5 Watt.

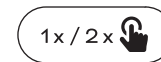
Botão de silenciar

Pressione o botão **Silenciar** para silenciar ou restaurar o áudio. Se a fonte selecionada no momento oferecer controles de reprodução, o botão **Silenciar** controlará suas funções: pressione uma vez para **Reproduzir/Pausar**, duas vezes para **Avançar** e três vezes para **Retroceder**. Pressione e segure o botão **Silenciar** para liberar o Bluetooth.

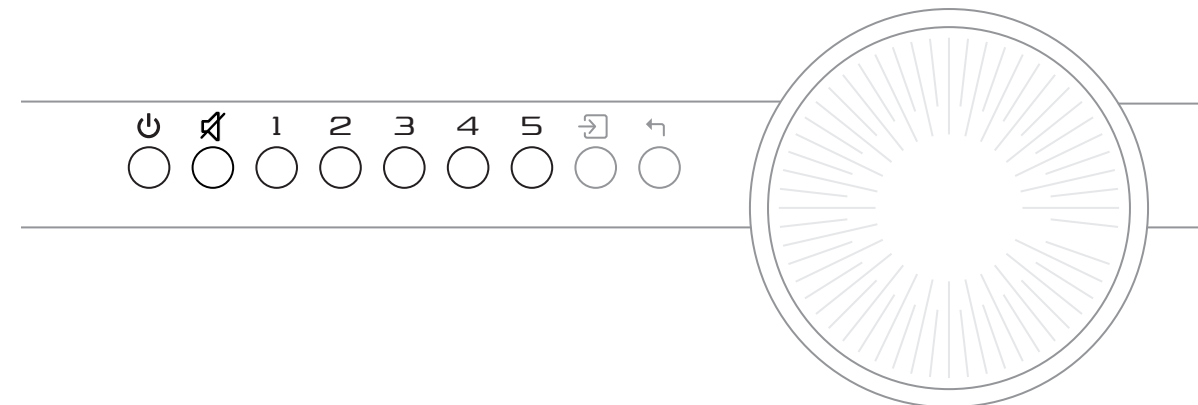


Botões Preset de 1 a 10

Os botões **Preset** permitem a seleção imediata de quaisquer itens armazenados, como estações de rádio ou serviços de streaming.



Um único toque ativa os presets de 1 a 5.
Um toque duplo ativa os presets de 6 a 10.



10. O DALI VEGA EM USO

↗ Botão Entrada

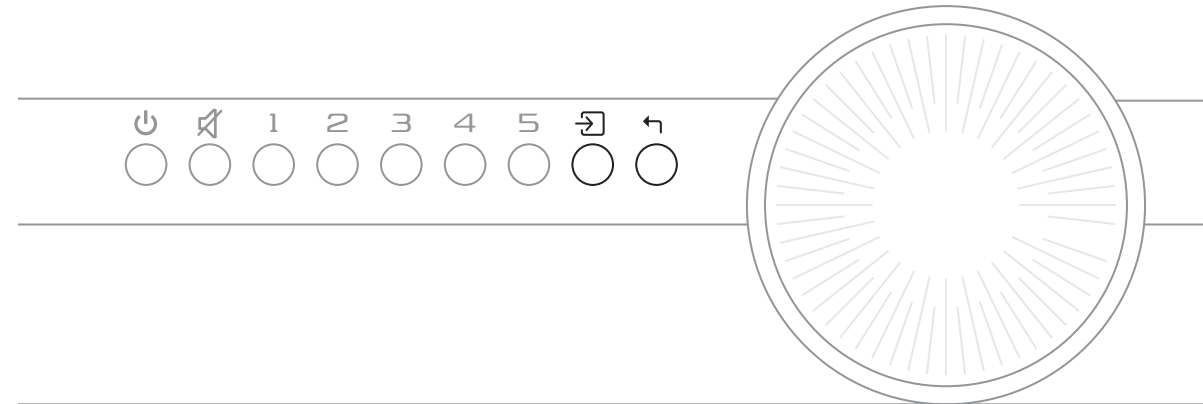
Pressionar o botão **Entrada** percorre e seleciona as entradas de sinal DALI VEGA disponíveis na seguinte ordem:

-  Bluetooth
-  HDMI ARC
-  BluOS
-  Entrada óptica
-  Entrada analógica

! O primeiro toque no botão Entrada mostra a seleção atual da fonte do sinal. Pressionar posteriormente alterna entre as fontes.

↶ Botão Voltar/Sair

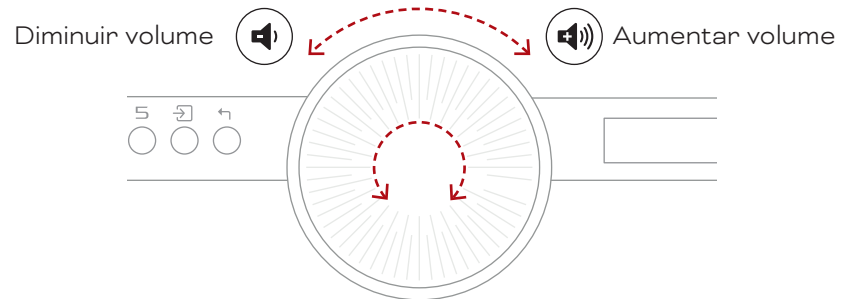
Pressionar o botão **Voltar/Sair** retorna pelos níveis do menu.



10. O DALI VEGA EM USO

Roda de volume

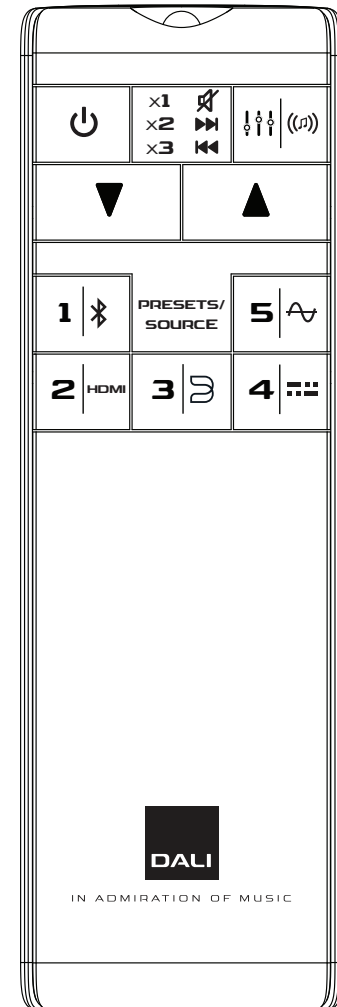
Quando o DALI VEGA está ligado e não está no modo de menu de configuração, a **roda de volume** controla o volume. Gire no sentido horário para aumentar o volume e no sentido anti-horário para diminuir.



Controle remoto

O controle remoto do DALI VEGA duplica as funções mais utilizadas do alto-falante DALI VEGA.

O controle remoto do DALI VEGA e seus botões são ilustrados na página 24.



11. CONEXÃO BLUETOOTH

11.1 Emparelhamento Bluetooth

Para conectar seu dispositivo Bluetooth ao DALI VEGA:

1. Ligue o DALI VEGA.
2. Selecione a entrada Bluetooth usando o botão Entrada.
3. O DALI VEGA agora está pronto para emparelhamento Bluetooth.
 - a. Se o LED Bluetooth estiver piscando, nenhum dispositivo está conectado no momento.
 - b. Se o LED Bluetooth estiver aceso, há um dispositivo conectado. Para desconectar o dispositivo conectado, use a função de liberação do Bluetooth.
 - c. Somente um dispositivo Bluetooth pode ser conectado por vez.
 - d. Inicie o emparelhamento Bluetooth no seu dispositivo. Quando o emparelhamento estiver concluído, a música será reproduzida no seu dispositivo conectado via Bluetooth.

O DALI VEGA se conectará automaticamente ao último dispositivo usado quando o Bluetooth for selecionado, caso um dispositivo tenha sido pareado ao DALI VEGA anteriormente e esteja dentro do alcance.

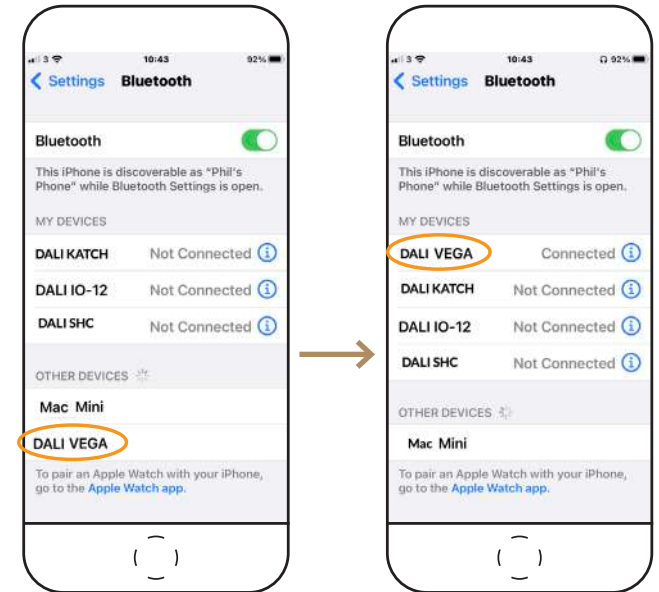
O DALI VEGA não iniciará a reprodução automática. A reprodução deve ser iniciada a partir do dispositivo conectado ou pressionando brevemente o botão Silenciar no DALI VEGA ou no controle remoto.

11.2 Liberar Bluetooth

Se você não conseguir parear seu dispositivo com o DALI VEGA:

1. Pressione e segure o botão de liberação do Bluetooth (Botão Silenciar) até que o som de liberação do Bluetooth seja reproduzido e o LED Bluetooth (LED 1) comece a piscar.
2. O dispositivo conectado agora está liberado e você pode reiniciar o emparelhamento.
3. A liberação do Bluetooth também pode ser ativada acessando **Input settings** -> **Bluetooth** no sistema de menu.

! Até 8 dispositivos Bluetooth podem ser pareados com o DALI VEGA.



! Se você alterar o nome do DALI VEGA no aplicativo BluOS, o nome Bluetooth será alterado de acordo.












12. CUIDADOS E SUPORTE

Seu DALI VEGA não requer tratamento especial além do tipo de cuidado que você daria a outros itens de alto valor em sua casa. Use um pano macio e seco para tirar o pó do gabinete.

A DALI não recomenda o uso de fluidos ou sprays de limpeza.

13. SOLUÇÃO DE PROBLEMAS COM BLUOS

O indicador luminoso multicolorido com o logotipo BluOS também indica o status BluOS do DALI VEGA:

	Código de luz indicadora	Descrição
	Vermelho sólido e depois verde piscando	Ligar/reiniciar a unidade
	Verde sólido	Modo Hotspot
	Verde piscando	Conectando à rede
	Pulsando branco	Atualização de software disponível
	Vermelho sólido	Modo de atualização
	Piscando alternadamente vermelho e verde	Atualizando
	Piscando azul	Modo mudo
	Branco sólido	Indexação
	Azul sólido	Conectado à rede – pronto para usar com o aplicativo BluOS
	Piscando vermelho	Redefinição de fábrica em andamento
	Roxo sólido	O modo Hotspot expirou

Para mais informações, consulte a página de suporte do Bluesound:

 [Página de suporte do Bluesound](#)

14. ATUALIZAÇÕES DE FIRMWARE

O firmware atualizado para seu DALI VEGA pode ocasionalmente ser disponibilizado por meio do aplicativo BluOS. O firmware atualizado pode melhorar o desempenho e a confiabilidade ou introduzir novos recursos.



15. CONSUMO DE ENERGIA

Modo offline

Pressione e segure o botão de espera por 5 segundos. Isso desativará todas as conexões e reduzirá o consumo de energia ao mínimo, até que o VEGA seja reativado pressionando o botão de espera novamente.

Modo de espera em rede

O modo de espera em rede é ativado automaticamente se nenhum áudio for reproduzido e nenhuma seleção do usuário for feita por 20 minutos. Nesse modo, qualquer ação do usuário, incluindo iniciar a reprodução de música em qualquer fonte conectada, ativa automaticamente o VEGA.

Desativação do Wi-Fi

As funções de rede sem fio são desativadas automaticamente sempre que um cabo Ethernet é conectado ao VEGA.

Modo	Consumo de energia	Ativação	Desativação
Ativo (sem áudio)	9,2 W	(Consulte “Modo de espera em rede”)	(Consulte “Modo de espera em rede”)
Modo de espera em rede (HiNA)	2,9 W	Automaticamente após 20 minutos sem áudio e sem operações do usuário.	Qualquer operação do usuário, incluindo iniciar a reprodução.
Offline	< 0,7 W	Manualmente, mantendo pressionado o botão de espera.	Manualmente, pressionando o botão de espera.

16. ESPECIFICAÇÕES DO DALI VEGA

DALI VEGA

Faixa de frequência	32 - 22.700 Hz, ±3 dB
SPL máximo @ 1 m	110 dB
Frequência de crossover	2.400 Hz
Princípio de crossover	Crossover ativo de 2 vias e 8 canais
Driver(s) de alta frequência	Tweeter de domo macio de 4 × 25 mm
Diafragma de alta frequência	Tecido macio
Driver(s) de média/baixa frequência	4 × 4½ polegadas
Diafragma de baixa/média frequência	Cone de papel e fibra de madeira
Tipo de gabinete	Gabinete absorvedor harmônico 2 × Radiadores passivos retangulares (3 × 6 polegadas)
Frequência de sintonia do radiador passivo	32 Hz
Tipo de amplificador	Classe D Carga em Ponte (BTL)
Potência contínua de saída do amplificador	8 × 50 W RMS
Potência total de saída do amplificador	400 W
Entrada(s) de conexão	1 × HDMI (ARC) 1 × Entrada analógica (RCA não balanceada, estéreo) 1 × Entrada óptica (Toslink, estéreo) 1 × Áudio/Serviço USB (HDD ou unidade USB)
Saída(s) de conexão	Saída de subwoofer Alimentação USB (5 V/1 A)
Filtro passa-baixa de saída do subwoofer	120 Hz
Formatos de entrada digital	PCM, estéreo

DALI VEGA

Entrada(s) sem fio	Bluetooth BluOS Spotify Connect Tidal Connect Apple AirPlay 2
Codecs de entrada Bluetooth	AAC aptX aptX HD
Codecs de entrada BluOS	MP3 AAC (M4A, MP4) WMA OGG FLAC ALAC (M4A) WMA-L MQA WAV AIFF (AIF, AIFC) PCM DSD256 (conversão de DSD para PCM)
Formatos de entrada de áudio suportados	Áudio de 16 a 24 bits Taxa de amostragem de 32 / 44,1 / 48 / 96 / 192 kHz
Posicionamento recomendado	De pé: Espaço livre De pé: Perto da parede De pé: Perto do canto/parede Na parede: Landscape (Paisagem) Na parede: Retrato

Continua na próxima página

16. ESPECIFICAÇÕES DO DALI VEGA

DALI VEGA

Funções	<ul style="list-style-type: none"> Adaptive Orientation Adjustment (Ajuste de Orientação Adaptável) Adaptive Stereo Enhancement Até 40 predefinições programáveis Ajuste de som Distância da parede traseira Liberação/limpar Bluetooth Atraso de áudio HDMI Detecção de sinal/portadora óptica Input sense (Detecção de entrada) LED Setting (Configuração de LED) Restaurar os padrões de fábrica Espera (alimentação automática) Silenciar Ligar/Desligar Volume Seleção de fonte
Consumo máximo de energia	250 W
Consumo de energia em espera	≤ 3 W
Dimensões (A × L × P)	143 x 683 x 243 mm 5,63 x 26,90 x 9,57 polegadas
Dimensões da caixa (A × L × P)	330 x 870 x 200 mm 13,0 x 34,25 x 7,87 polegadas
Peso	8,7 kg 19,18 lb
Peso com a embalagem	13,3 kg 29,32 lb
Acabamento	Dark Oak (Carvalho escuro) Natural Oak (Carvalho natural)

DALI VEGA

Acessórios incluídos	<ul style="list-style-type: none"> 1 × controle remoto 2 × pilhas AAA (para o controle remoto) 2 × suportes de parede (Parede) 2 × suportes de parede (VEGA) 2 × parafusos para suportes de parede VEGA 1 × chave Allen M6 1 × suporte de cabo 1 × cabo de alimentação 1 × cartão de registro do produto 1 × Guia de início rápido 2 × modelo de montagem na parede 1 × Manual de segurança
----------------------	---

Todas as especificações técnicas estão sujeitas a alterações sem aviso prévio.

Avisos legais

Os termos a seguir são marcas comerciais ou marcas registradas de seus respectivos proprietários:

Bluetooth®	Bluetooth SIG, Inc.
BLUOS™	Bluesound International, a division of Lenbrook Industries Limited
HDMI®	HDMI Licensing Administrator, Inc.
Wi-Fi®	Wi-Fi Alliance

DALI VEGA

BRUGSANVISNING

VERSION 1.0 MARTS 2026

DANSK



DALI



INDHOLD

1.	Indledning	208
2.	Pakkens indhold	209
3.	Udpakning	210
4.	Wi-Fi-forbindelse og BluOS-op sætning	211
5.	Placering af din DALI VEGA	212
6.	Kabelhåndtering	214
7.	Vægmontering af din DALI VEGA	215
8.	Kabelforbindelser	220
9.	DALI VEGA-konfigurering	223
10.	Din DALI VEGA i brug	229
11.	Bluetooth-forbindelse	234
12.	Pleje og support	235
13.	BluOS fejlfinding	235
14.	Opdatering af firmware	236
15.	Strømforbrug	237
16.	DALI VEGA specifikationer	238

1. INDLEDNING

Tillykke med din nye DALI VEGA. DALI VEGA er et topmoderne alt-i-et-lydsystem, der er designet til at sætte standarden for stilfuld afspilning af musik i hjemmet. DALI VEGA kombinerer fantastisk lyd kvalitet med enorm alsidighed, intuitiv brugervenlighed og et unikt og engagerende dansk luksusdesign.

Denne brugermanual beskriver opsætning og betjening af DALI VEGA.

Du bør læse manualen, før du begynder at opsætte og bruge din DALI VEGA.

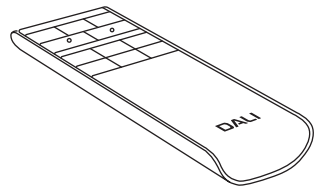
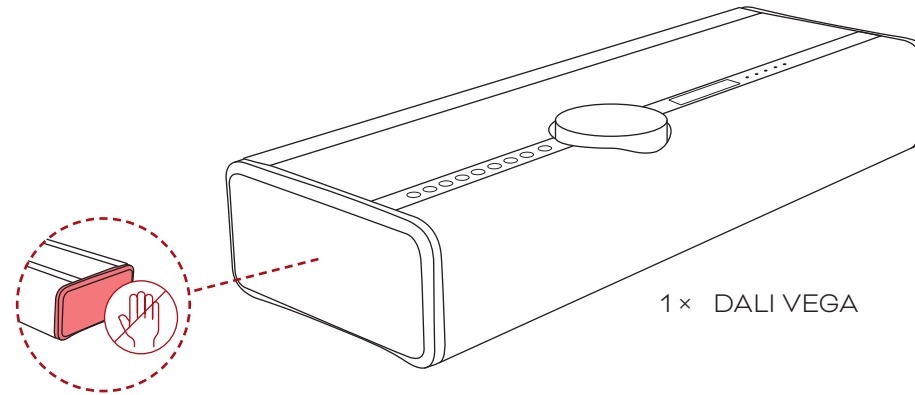
Manualen begynder med en beskrivelse af indholdet af din DALI VEGA-kasse og går derefter videre til DALI VEGA-placeringer, tilslutninger, konfigurering og dagligt brug.



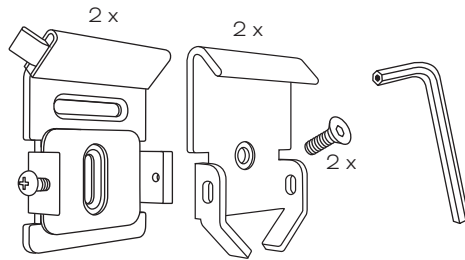
2. PAKKENS INDHOLD

Indholdet af DALI VEGA-emballagen er illustreret nedenfor.

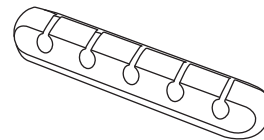
! Undgå at berøre de passive radiatorenheder i begge ender af din DALI VEGA.



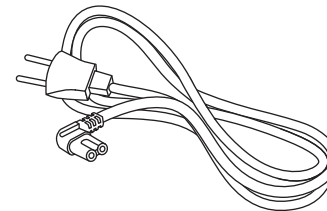
1 × Fjernbetjening
2 × AAA-batterier
(til fjernbetjening)



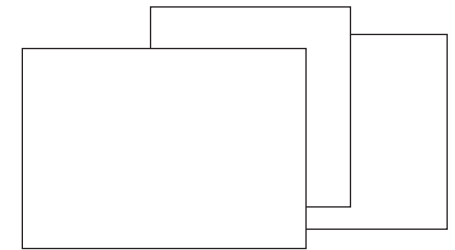
2 × Vægbeslag (væg)
2 × vægbeslag (VEGA)
2 × Skruer til VEGA vægbeslag
1 × M6 unbrakonøgle



1 × Kabelholder

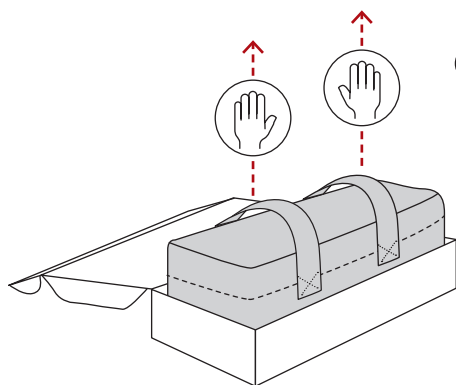


1 × Lysnetkabel

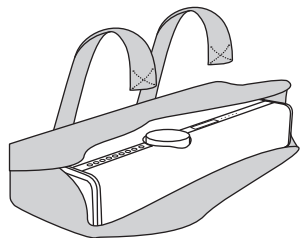


1 × Produktregistreringskort
1 × Quickstartguide
2 × Vægmonteringskabelon
1 × Sikkerhedsmanual

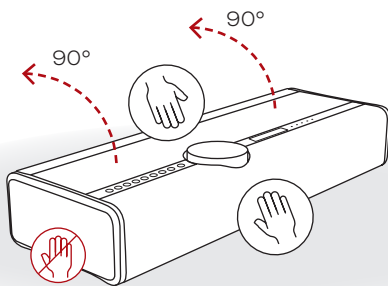
3. UDPAKNING



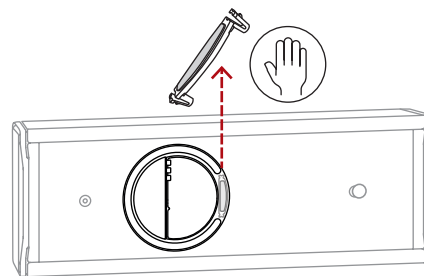
- 1** Åbn kassens låg, og brug begge stropper til at løfte din VEGA ud af kassen.



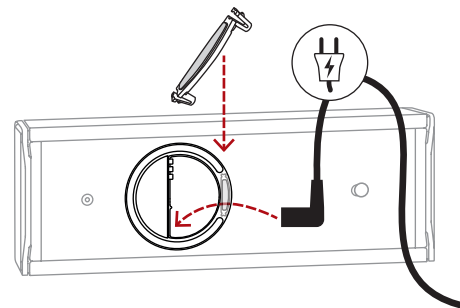
- 2** Løsn velcrostropperne, og fjern betrækket.



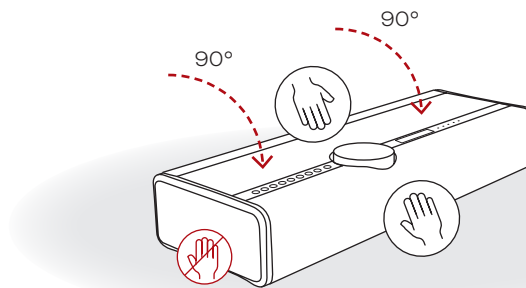
- 3** Vip din VEGA 90 grader mod dens bagside. Åbn og fjern kabelklemmen.



- 4** Tilslut strømkablet og eventuelle ekstra kabler.



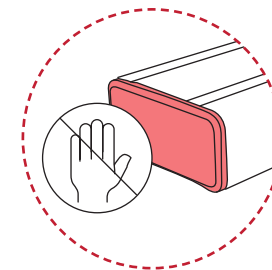
- 5** Fastgør kabelklemmen, og vip derefter din VEGA tilbage på fødderne.



- 6** VEGA er nu klar til Wi-Fi-forbindelse.

! VIGTIGT!

Sørg for ikke at røre ved de passive radiatorer under udpakning.



4. WI-FI-FORBINDELSE OG BLUOS-OPSÆTNING

1 Tænd din DALI VEGA

Vent på, at BluOS-LED'en lyser grønt, hvilket indikerer "Hotspot"-tilstand.

2 Hent BluOS-appen

Download og åbn BluOS-appen på din smartphone eller tablet.



3 Tilføj din DALI VEGA til dit netværk

Guiden "Tilslut en afspiller" vil guide dig gennem trinene for at fuldføre din BluOS-opsætning.



Gå til bluesound.com/downloads for at downloade appen

Den indledende netværksopsætning udføres ved hjælp af BluOS-appen på din smartphone eller tablet. Sørg for at du har downloadet og installeret appen, og sørg for at du har din smartphone eller tablet i nærheden, når du går i gang.

! Hvis du bruger en iOS-enhed, kan DALI VEGA også tilsluttes dit Wi-Fi-netværk via funktionen "Tilføj ny AirPlay-højttaler" i dine iOS Wi-Fi-indstillinger.



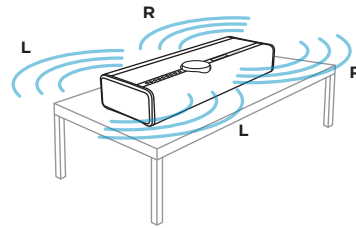
! Hvis LAN-stikket (netværksstikket) på din DALI VEGA er tilsluttet en hjemme-router eller netværksswitch, kræver den ikke en Wi-Fi-forbindelse. Din DALI VEGA vil blive tilgængelig til opsætning i BluOS Controller-appen.

→ [Bluesound supportside](#)

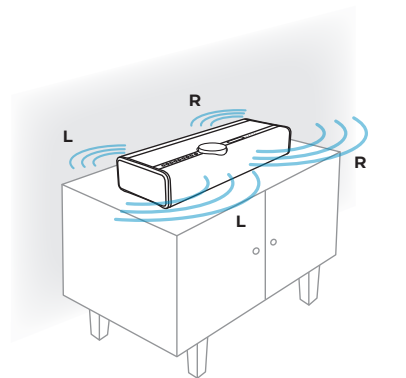
5. PLACERING AF DIN DALI VEGA

DALI VEGA tilbyder fremragende alsidighed, hvilket gør den velegnet til installation mange steder i hjemmet. Den kan for eksempel placeres på et bord, et møbel, en hylde eller i en vindueskarm. Og DALI VEGA kan også vægmonteres enten liggende eller opretstående ved hjælp af det valgfrie DALI VEGA vægbeslag. Når det kommer til placering af din DALI VEGA er de eneste krav adgang til lysnettet og en netværks-router eller switch, hvis du foretrækker en kablet netværksforbindelse.

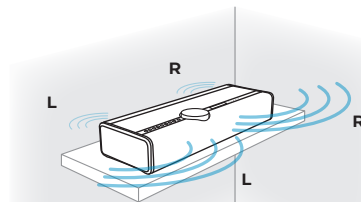
Afhængigt af retningen på din DALI VEGA, vil den automatisk tilpasse stereopsætningen til dens forreste og bageste højttalere efter behov, så den passer til stående, liggende eller opretstående retning. Dens skærmretning roterer også automatisk.



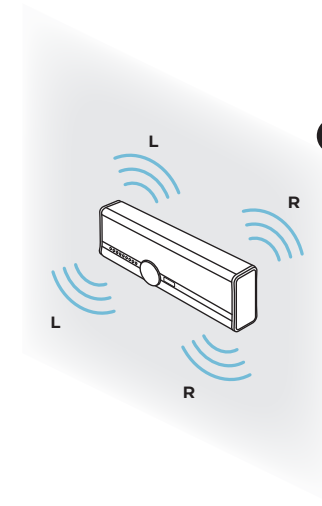
- 1 Stående: Fri plads**
DALI VEGA spiller i begge retninger: fremad og bagud.
Anbefalet indstilling af afstand til bagvæg: **Free**.



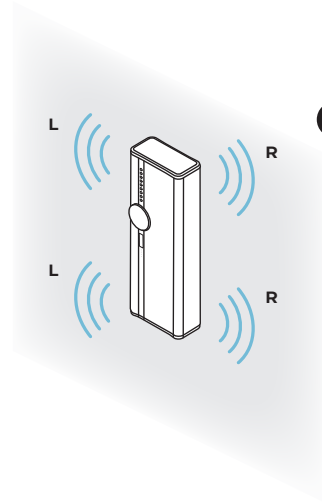
- 2 Stående: Nær væggen**
DALI VEGA spiller mere fremad end bagud.
Anbefalet indstilling af afstand til bagvæg: **Medium**.



- 3 Stående: Tæt på hjørne/væg**
DALI VEGA spiller endnu mindre bagud i denne tilstand.
Anbefalet indstilling af afstand til bagvæg: **Short**.



- 4 På væggen: Liggende**
DALI VEGA spiller i begge retninger.
Afstanden til bagvæggen indstilles automatisk.



- 5 På væggen: Opretstående**
DALI VEGA spiller i begge retninger.
Frontenhederne spiller venstre kanal, og bagenhederne spiller højre kanal.
Afstanden til bagvæggen indstilles automatisk.

5. PLACERING AF DIN DALI VEGA

Adaptive Orientation Adjustment (adaptiv lydjustering)

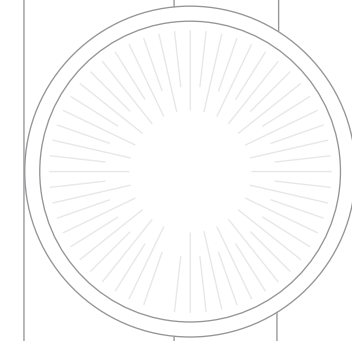
DALI VEGA er konstrueret med avanceret Adaptive Orientation Adjustment teknologi, der er udviklet internt af DALI's ingeniører. Adaptive Orientation Adjustment gør det muligt at integrere din DALI VEGA problemfrit i ethvert rum, uanset hvordan du placerer eller monterer den.

VEGA er udstyret med en intern orienterings-sensor, der intelligent registrerer dens monteringsretning – uanset om den står på en hylde eller et bord, eller er vægmonteret i liggende eller opretstående tilstand. Og den omkonfigurerer automatisk stereokanaltilslutningen for at sikre

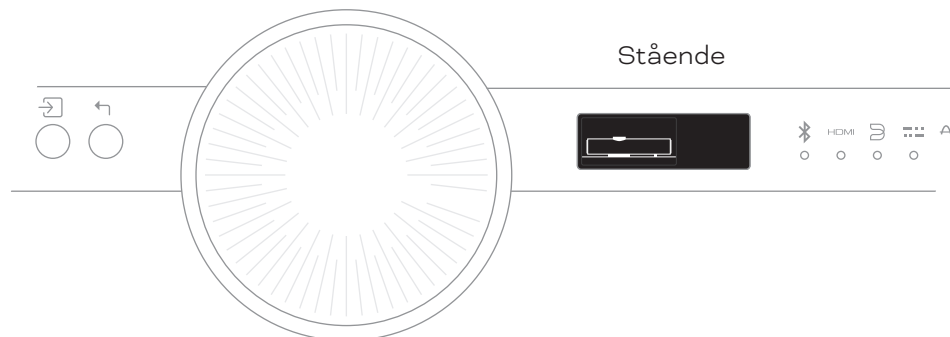
optimal lyd kvalitet. Denne justering i realtid forbedrer den rumlige nøjagtighed og stereobilledet og leverer en ensartet medrivende lytteoplevelse uanset placering.

Adaptive Orientation Adjustment er en nøglekomponent i VEGAs rumbevidste designfilosofi, der gør det muligt at tilpasse den akustisk til brugerens præferencer og forbedre den musikalske ydeevne med præcision og klarhed.

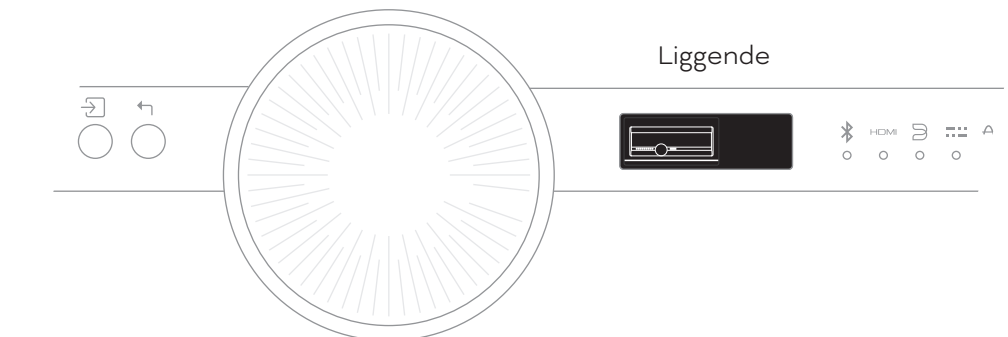
Når du placerer din VEGA i den ønskede retning, vil VEGA-displayet angive den aktiverede Adaptive Orientation Adjustment ved at vise et af de tre logoer.



Opretstående



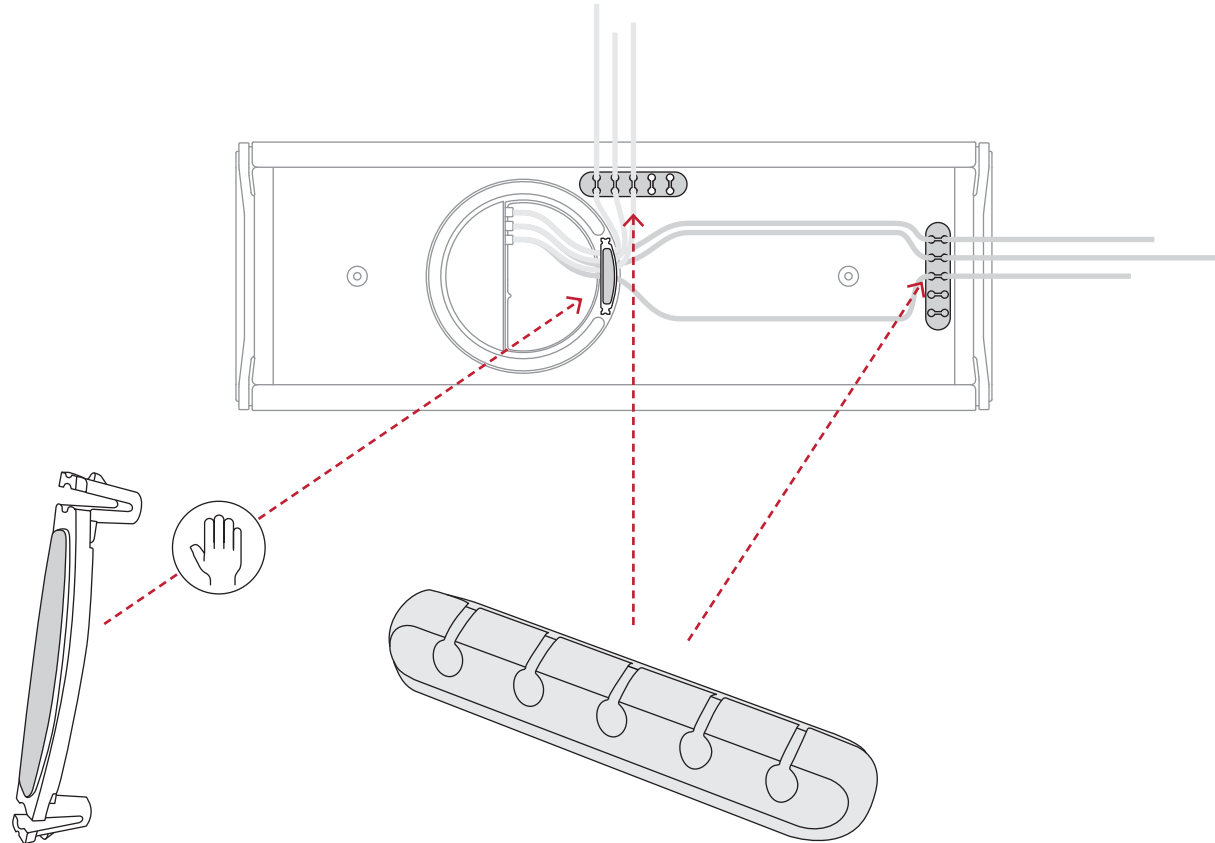
Stående



Liggende

6. KABELHÅNDBTERING

På bagsiden af din VEGA finder du en kabelklemme, som kan åbnes med fingrene i begge ender. Sammen med den medfølgende kabelholder muliggør denne funktion nem kabelhåndtering i enhver retning eller placering.



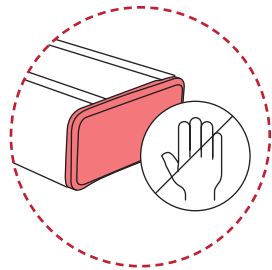
7. VÆGMONTERING AF DIN DALI VEGA

For at montere DALI VEGA på væggen i enten liggende eller opretstående tilstand, skal du bruge de fire medfølgende vægbeslag.

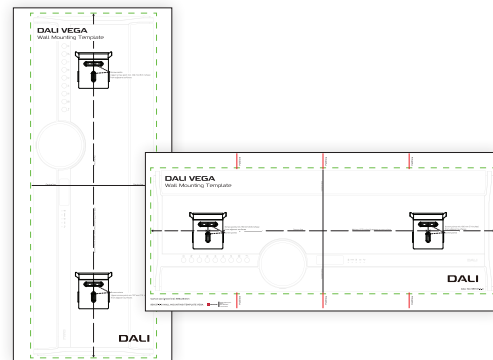
To af vægbeslagene monteres med de medfølgende skruer på bagsiden af din DALI VEGA ved hjælp af M6 unbrakonøglen.

De to resterende vægbeslag monteres på væggen med fire passende skruer (medfølger ikke).

Følg trinnene på de næste sider.

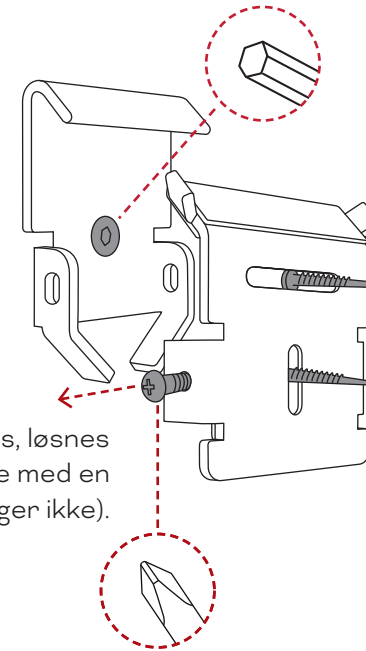


- ! Sørg for ikke at røre ved de passive radiatorer under placering.



Beslagene til DALI VEGA monteres med én beslagskrue hver (medfølger).
Brug en M6 unbrakonøgle og fastgør beslagene.

Før højttaleren monteres, løsnes sikkerhedsskruen/skruerne med en stjerneskrueetrækker (medfølger ikke).



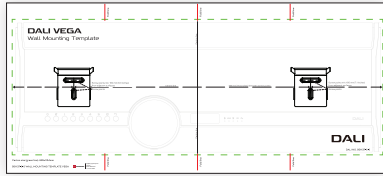
Vægbeslagene monteres med to skruer, der passer til vægtypen (medfølger ikke).

- ! De medfølgende **skabeloner til vægmontering** gør det nemmere at bestemme placeringen af dine vægbeslag.

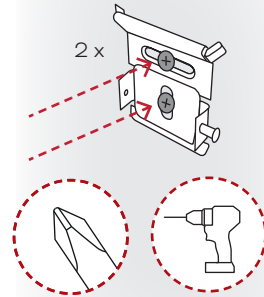
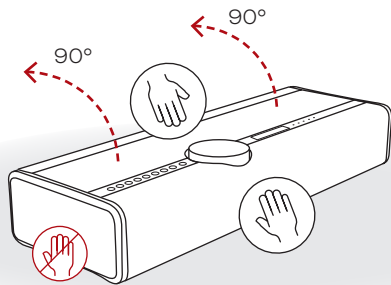
To **skabeloner til vægmontering** er inkluderet: en til liggende retning og en til opretstående retning.

7. VÆGMONTERING AF DIN DALI VEGA

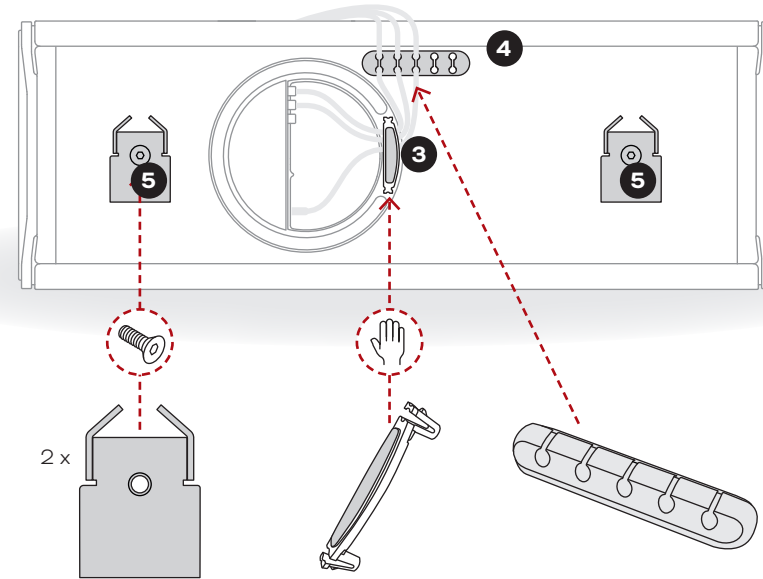
Liggende retning (1/2)



- 1 Brug den medfølgende skabelon til liggende retning til at markere de 2 x 2 borehuller, og monter derefter de to vægbeslag på væggen.
- 2 Vip din VEGA 90 grader mod dens bagside.



- ! Placer IKKE din VEGA på forsiden eller toppen, da dette kan ridse lydstyrkehjulet ved et uheld.

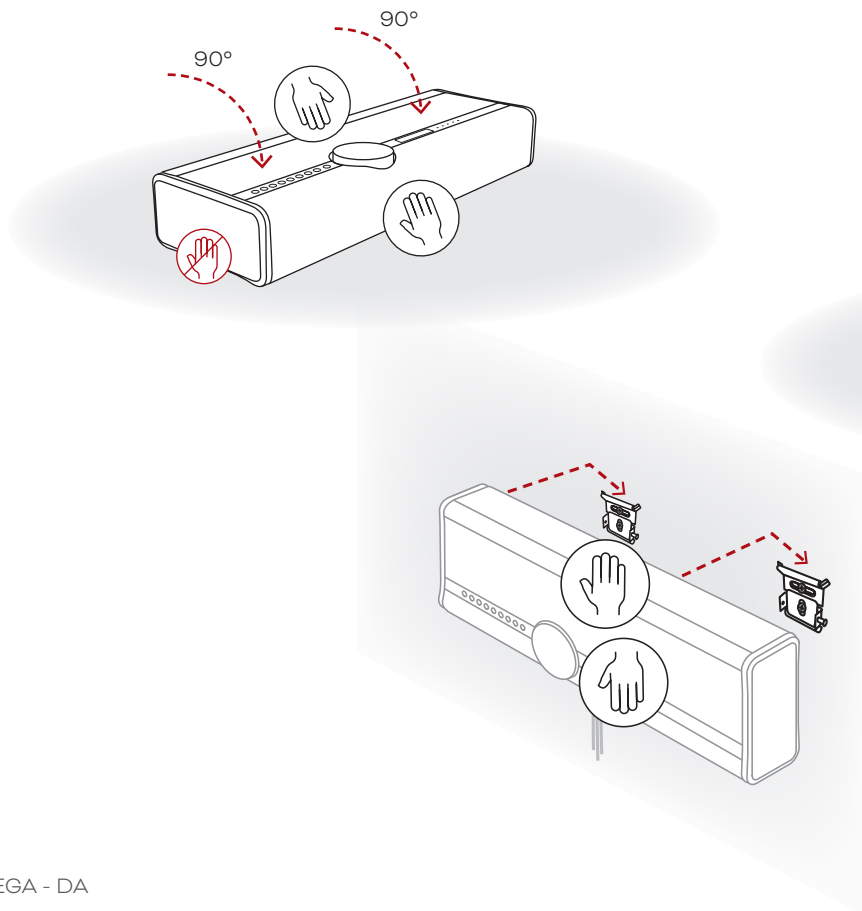


- 3 Monter VEGA-vægbeslagene til liggende retning.
- 4 Placer den selvklæbende kabelholder og før kablerne igennem.
- 5 Fjern kabelklemmen, tilslut dine kabler, og sæt kabelklemmen på igen.

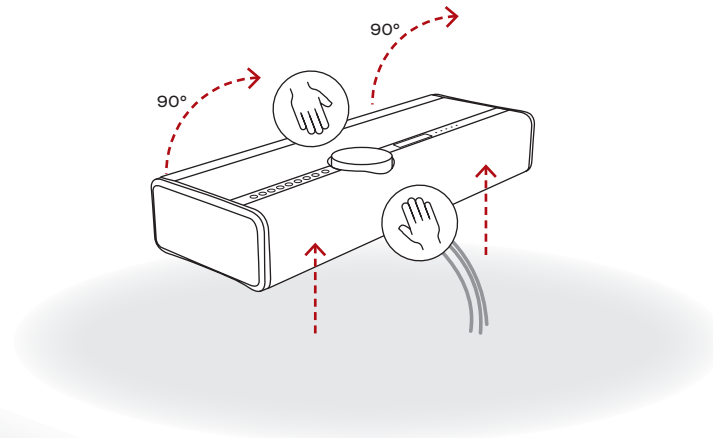
7. VÆGMONTERING AF DIN DALI VEGA

Liggende retning (2/2)

- 6** Vip din VEGA tilbage på benene.

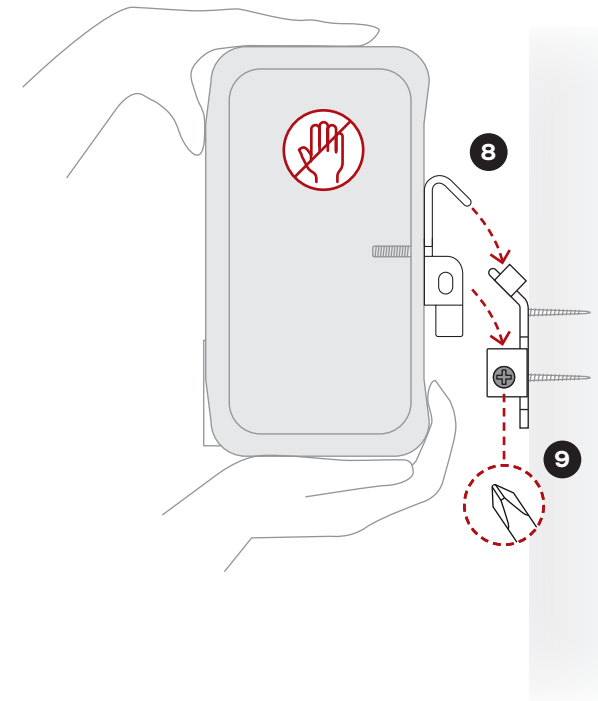


- 7** Løft din VEGA op, og drej dens underside (og vægbeslag) mod væggen.



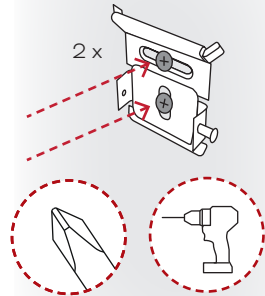
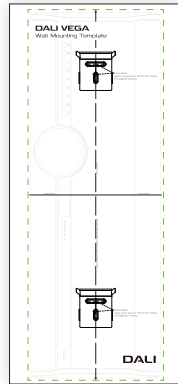
- 8** Løft forsigtigt din VEGA på plads, og sæt den fast på beslagene.

- 9** Spænd sikkerhedsskruerne med en stjerneskruetrækker.



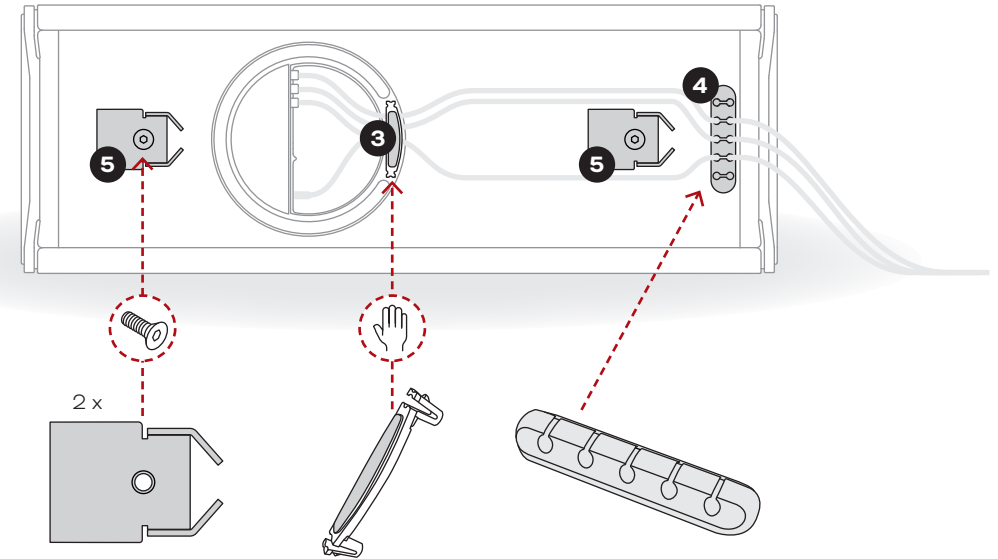
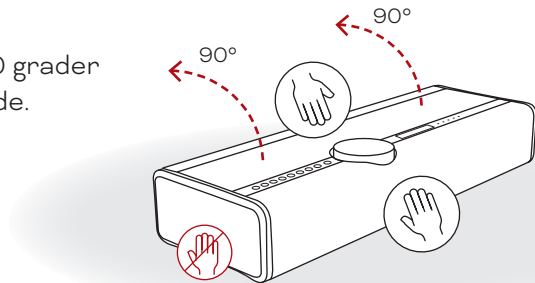
7. VÆGMONTERING AF DIN DALI VEGA

Opretstående retning (1/2)



- 1 Brug den medfølgende skabelon til opretstående retning til at markere de 2 x 2 borehuller, og monter derefter de to vægbeslag på væggen.

- 2 Vip din VEGA 90 grader mod dens bagside.

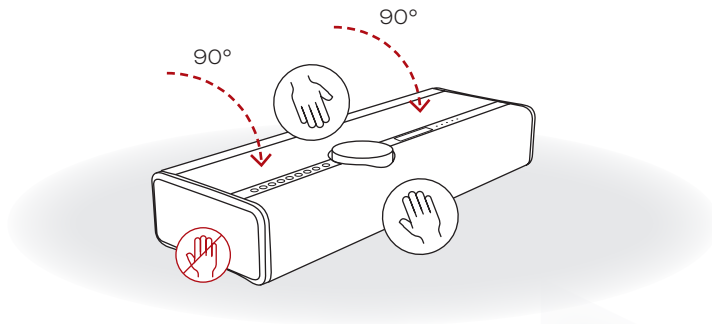


- 3 Fjern kabelklemmen, tilslut dine kabler, og sæt kabelklemmen på igen.
- 4 Placer den selvklæbende kabelholder og før kablerne igennem.
- 5 Monter VEGA-vægbeslagene til opretstående retning.

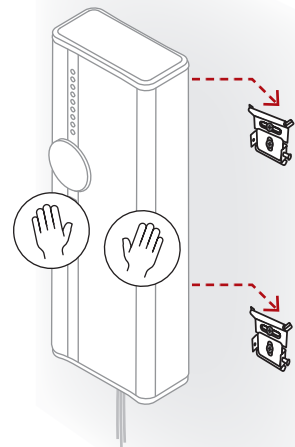
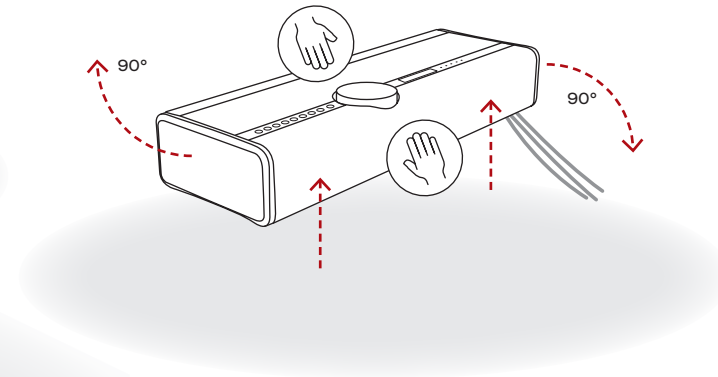
7. VÆGMONTERING AF DIN DALI VEGA

Opretstående retning (2/2)

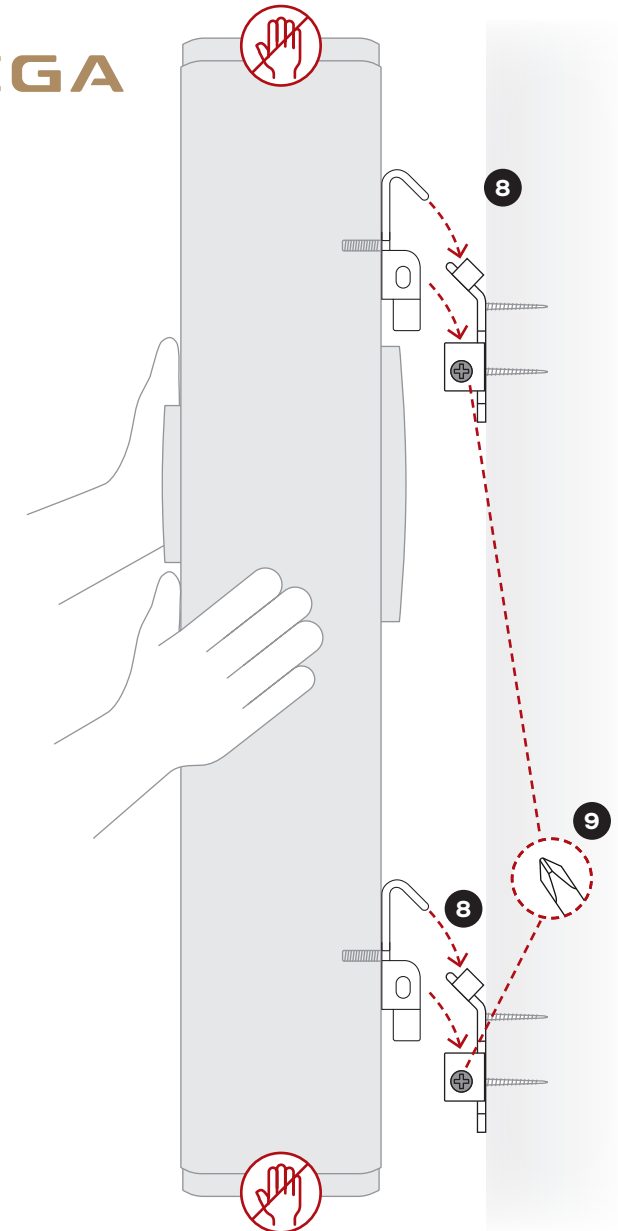
- 6** Vip din VEGA tilbage på benene.



- 7** Løft din VEGA, drej dens underside (og vægbeslag) mod væggen, og drej den med uret til opretstående retning.



- 8** Løft forsigtigt din VEGA på plads, og sæt den fast på beslagene.
- 9** Spænd sikkerhedsskruerne med en stjerneskruetrækker.



8. KABELFORBINDELSER

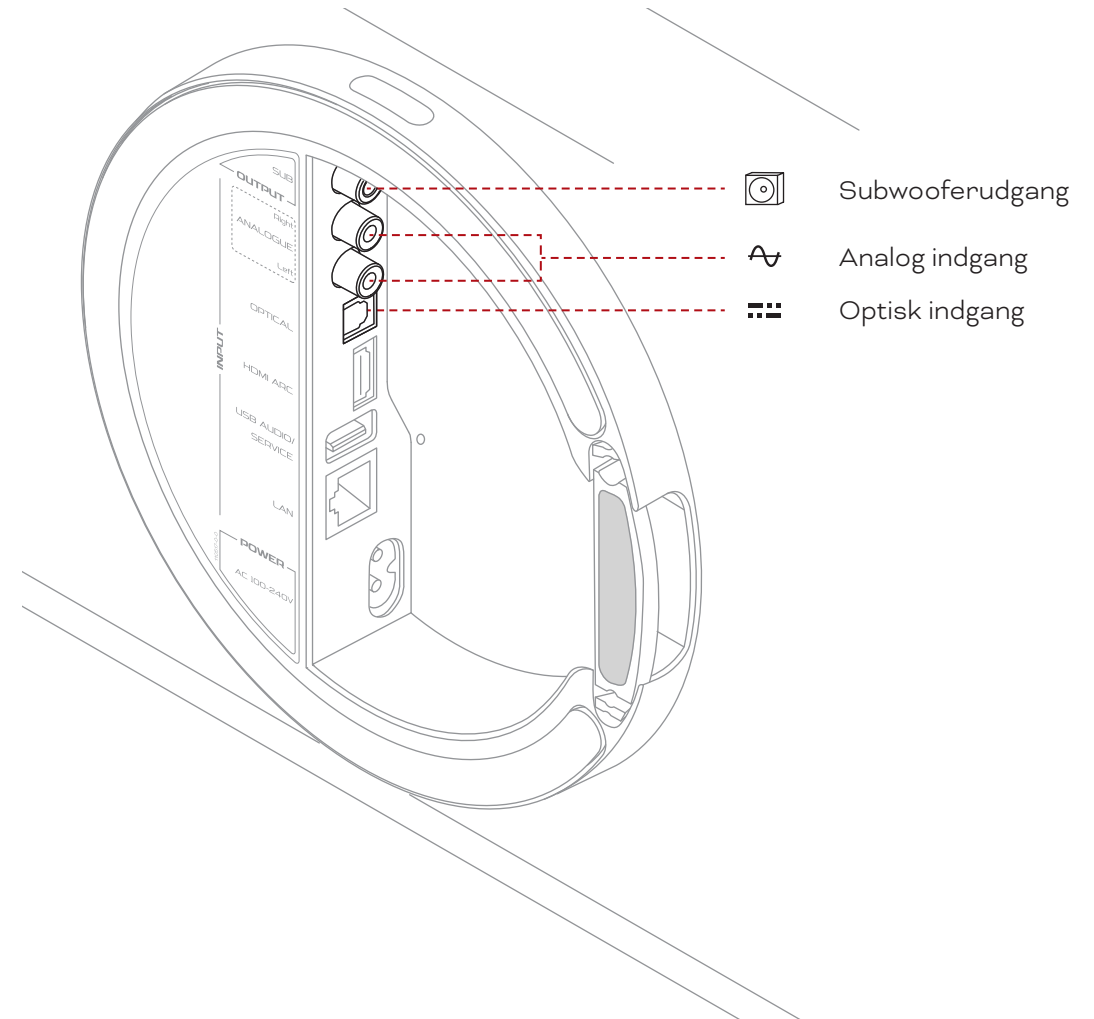
DALI VEGA tilbyder en bred vifte af tilslutningsmuligheder til dit lydsystem.

Kabeltilslutningsstik er placeret i tilslutningspanelet og inkluderer følgende muligheder:

Subwoofer-udgang: Et enkelt RCA Phono-stik giver dig mulighed for at tilslutte en ekstern subwoofer for at forbedre basdybden i din DALI VEGA. Subwooferens udgangssignal er mono og lavpasfiltreret til 120 Hz.

Analog indgang: Et stereo RCA Phono-stik muliggør tilslutning af en ekstern lydkilde med linjeniveau-udgange. Det kan for eksempel være en CD-afspiller eller pladespiller med indbygget RIAA.

Optisk indgang: Et TOSLINK optisk digitalt lydstik muliggør tilslutning af en ekstern lydkilde med en optisk digital udgang. Det kan for eksempel være et TV eller en CD-afspiller.



8. KABELFORBINDELSER

HDMI ARC: Hvis du har et TV med et HDMI ARC-stik (Audio Return Channel), skal du tilslutte det til HDMI ARC-stikket på din DALI VEGA. Du skal muligvis også vælge eksterne højttalere til lydafspilning og aktivere CEC (Consumer Electronics Control) i indstillingsmenuen på dit TV. Udgangsformatet for lyden på TV'et skal indstilles til PCM eller stereo.

Med HDMI og CEC kan du bruge din TV-fjernbetjening til at styre lydstyrke-, lydløs- og standbyfunktionerne på din DALI VEGA.

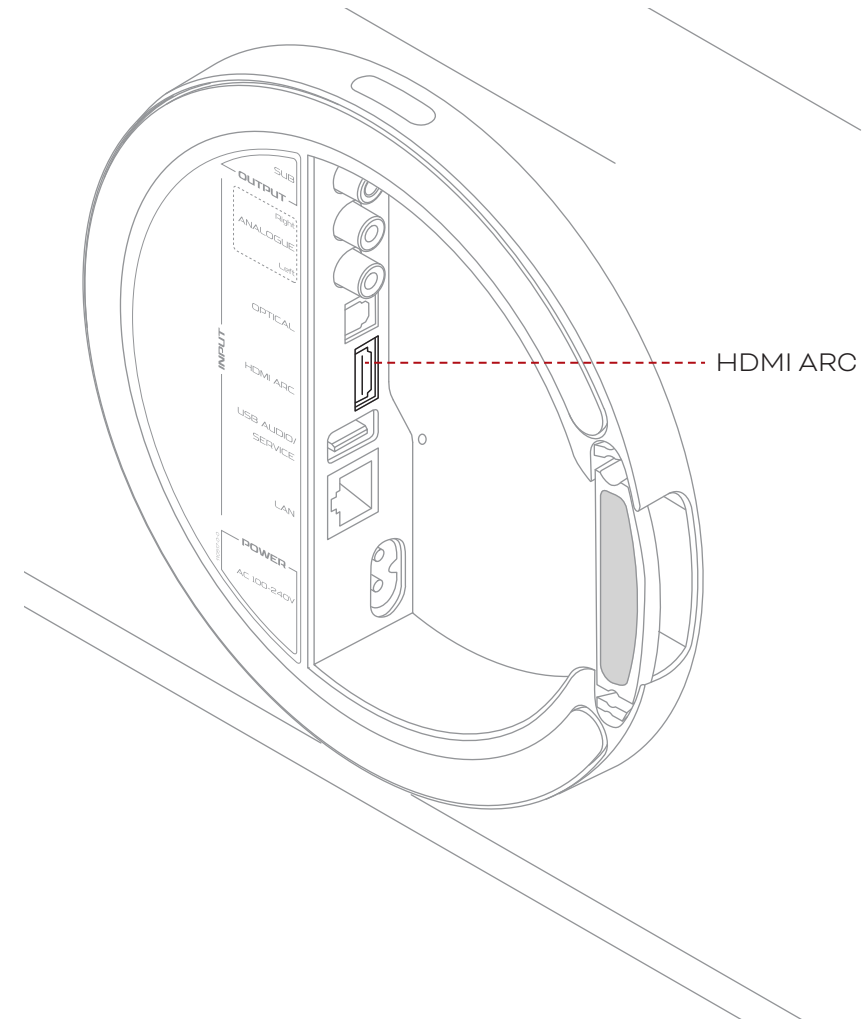
! Hvis dit TV ikke understøtter HDMI ARC, eller hvis du oplever problemer med HDMI-kompatibilitet, anbefaler DALI at bruge en optisk forbindelse fra TV'ets optiske lydudgang til din DALI VEGA.

I dette scenarie kan du stadig bruge HDMI-forbindelsen til at styre DALI VEGA via CEC ved hjælp af din TV-fjernbetjening.

For at bruge din TV-fjernbetjening til at styre basale DALI VEGA-funktioner (lydstyrke, mute, tænd/sluk) via HDMI, skal HDMI CEC være aktiveret på dit TV.

HDMI CEC har forskellige navne afhængigt af TV-mærket:

- Samsung: Anynet+
- LG: SimpLink
- Sony: Bravia Sync
- Phillips: EasyLink
- Panasonic: Viera Link
- Hitachi: HDMI-CEC



8. KABELFORBINDELSER

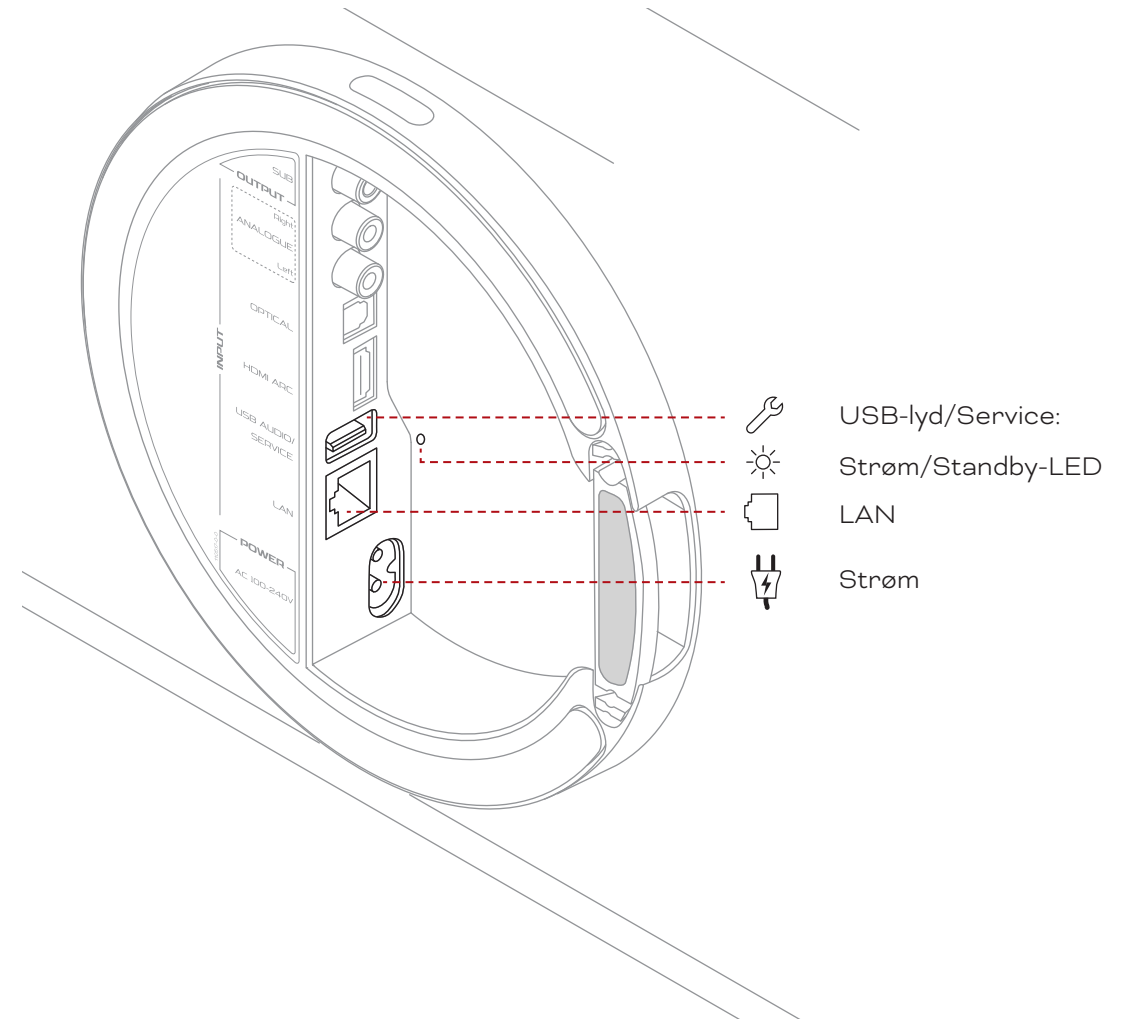
USB-lyd/-tjeneste: DALI VEGA USB-stikket har to funktioner. For det første muliggør det, at musikfiler, gemt på USB-lagringsmedier, såsom harddiske og USB-drev, kan afspilles af din DALI VEGA og gøres tilgængelige via BluOS over det Wi-Fi, som DALI VEGA er tilsluttet. For det andet muliggør DALI VEGA USB-stikket softwareopdateringer og servicefunktioner.

→ [Kom godt i gang med BluOS](#)

Strøm/Standby-LED: Strøm/Standby-LED'en angiver strømtilstanden for DALI VEGA.

LAN (netværk): DALI VEGA-netværksstikket sender musikstreaming-funktionerne fra BluOS-appen via en kabelbaseret netværksforbindelse. Hvis din DALI VEGA skal bruge en kabelbaseret netværksforbindelse, skal du tilslutte netværksstikket til en router eller switch med et standard netværkskabel.

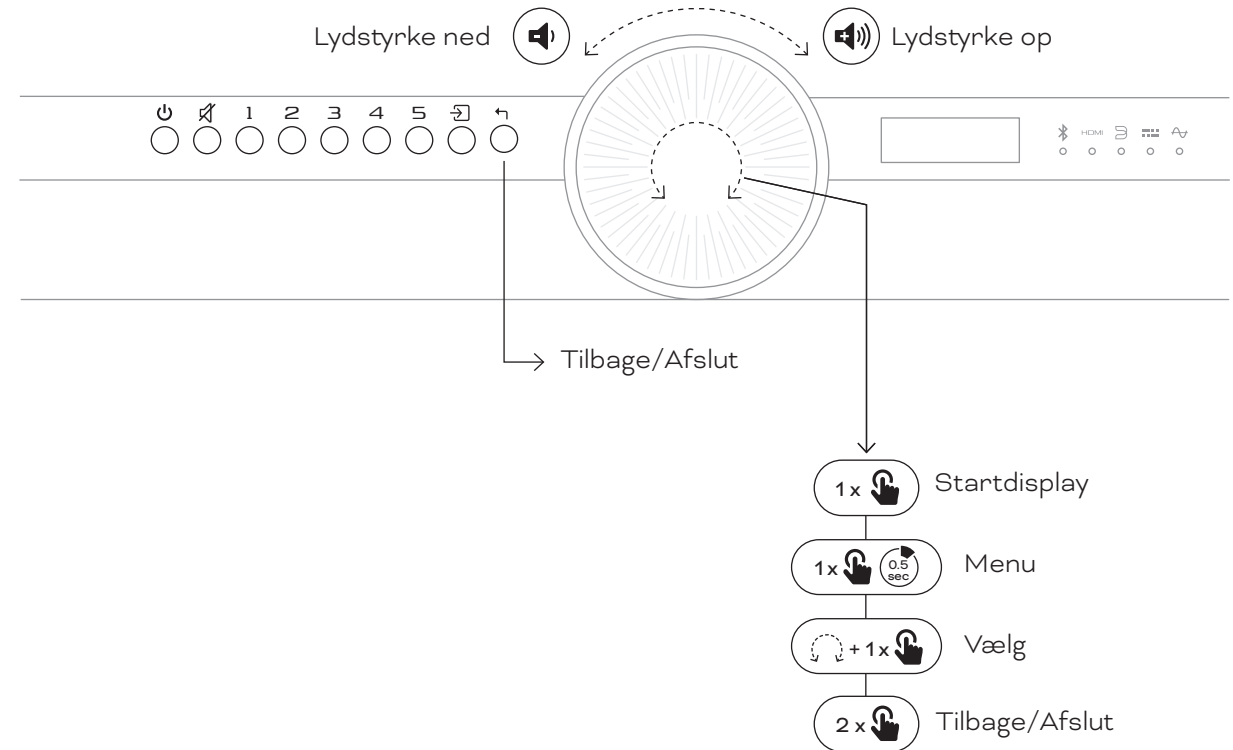
Strøm: Tilslut din DALI VEGA til lysnettet med det medfølgende lysnetkabel.



9. DALI VEGA-KONFIGURERING

Når din DALI VEGA er placeret og tilsluttet lysnettet, dit trådløse netværk og de nødvendige kabelforbundne kilder, kan du begynde at konfigurere.

DALI VEGA konfigureres ved hjælp af menuen. Brug **lydstyrkehjulet** til at vælge menupunkter. Tryk på **lydstyrkehjulet** for at bekræfte valg. Brug **tilbage/afslut**-knappen til venstre for **lydstyrkehjulet** til at gemme valgte indstillinger og samtidig gå tilbage gennem opsætningsmenuerne.



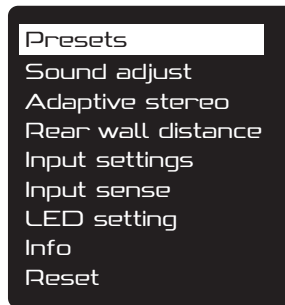
9. DALI VEGA-KONFIGURERING

DALI VEGA menuer

For at få adgang til DALI VEGA-konfigureringsmenuerne skal du trykke og holde midten af **lydstyrkehjulet** nede én gang. Den øverste del af konfigurationsmenuerne vises på displayet. Drej **lydstyrkehjulet** for at rulle op og ned i menuen, og tryk på midten af lydstyrkehjulet igen for at vælge en menufunktion og åbne dens undermenu.

De konfigurationsmuligheder, der er tilgængelige under hvert menupunkt øverst, beskrives i de følgende afsnit.

! Hvis der ikke foretages et valg i en menu inden for 10 sekunder, vender DALI VEGA-displayet tilbage til startskærmen.

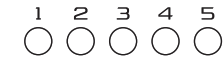


Presets (Forudindstillinger)

Menuen **Presets** viser og aktiverer de forudindstillinger, der er angivet i BluOS-appen. I alt kan 10 BluOS-forudindstillinger gemmes (via BluOS-appen) under de fem forudindstillingsknapper til venstre for lydstyrkehjulet.

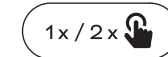
Forudindstillinger 1 til 10

Forudindstillingsknapperne muliggør øjeblikkelig valg af gemte elementer, såsom radiostationer eller streamingtjenester.



Et enkelt tryk aktiverer forudindstillingerne 1 til 5.

Et dobbelttryk aktiverer forudindstillingerne 6 til 10.



Eventuelle yderligere gemte BluOS-forudindstillinger kan findes i menuen **Presets**, hvor op til 40 forudindstillinger kan aktiveres. Du kan tildele enhver aktuelt valgt kilde – for eksempel en internetradiostation eller streamingtjeneste – en af forudindstillingsknapperne for hurtig genindlæsning.

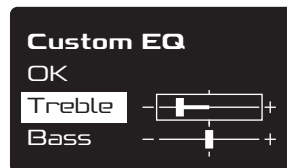
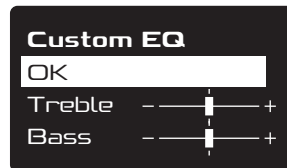
→ [Sådan tilføjer eller sletter du en forudindstilling](#)

9. DALI VEGA-KONFIGURERING

Sound adjust (lydjustering)

I menuen **Sound adjust** kan du vælge mellem **Direct (direkte)** lyd (standard DALI VEGA-lyd) eller **Custom EQ (brugerdefineret)** (frekvensindstilling).

Hvis indstillingen **Custom EQ** er valgt, tilbyder et display justering af bas og diskant, +/-10 dB, i trin på 2 dB. Juster bas og diskant ved hjælp af **lydstyrkehjulet**.

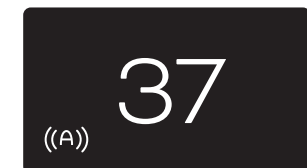
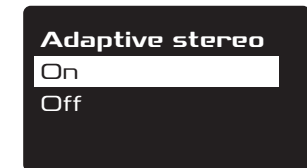


DALI Adaptive Stereo Enhancement™ (DALI adaptiv stereooptimering)

DALI VEGA anvender DALI-udviklet Adaptive Stereo Enhancement (ASE) teknologi, der kan forbedre stereooplevelsen fra kompakte højttalere ved at gøre lyden mere ekspansiv, medrivende og engagerende. DALI Adaptive Stereo Enhancement er aktiveret som standard, men kan deaktiveres, hvis det foretrækkes.

I menuen **Adaptiv stereo** kan du aktivere eller deaktivere Adaptive Stereo Enhancement. Vælg den ønskede indstilling ved hjælp af **lydstyrkehjulet**.

- ! Når Adaptiv stereoforbedring er aktiveret, vil det blive angivet med ASE-logoet ((A)) nederst til venstre på hoveddisplayet.

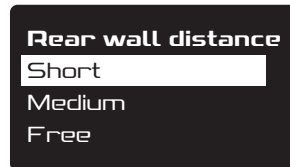


9. DALI VEGA-KONFIGURERING

Rear wall distance (afstand til bagvæg)

Lyden fra din DALI VEGA påvirkes af rumdimensioner ligesom enhver anden højttaler. Menuen **Rear wall distance** giver mulighed for justering af DALI VEGA-lyden baseret på dens afstand til en væg.

Brug **lydstyrkehjulet** til at vælge den indstilling, der bedst passer til afstanden fra din DALI VEGA fra bagsiden.

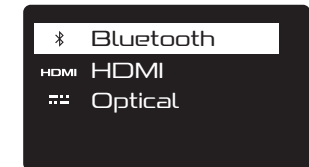


- ! **Short:** Mindre end 10 centimeters (3,9 tommers) afstand til bagvæggen
- Medium:** 10 - 50 centimeters (3,9 - 19,6 tommers) afstand til bagvæggen
- Free:** Mere end 50 centimeters (19,6 tommers) afstand til bagvæggen

Menuen **Rear wall distance** er deaktiveret, når DALI VEGA er vægmonteret.

Input settings (indgangsindstillinger)

Menuen **Input settings** muliggør konfiguration af indstillinger specifikke for Bluetooth-, HDMI- og optiske indgange.



Mulighederne er:

- Bluetooth:** Release connection and Clear pairings (nulstilling og glem).
- HDMI:** Audio delay (lydforsinkelse).
- Optical:** Signalregistrering og radioregistrering.

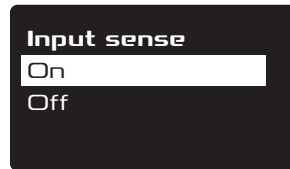
- ! HDMI-lydforsinkelse muliggør optimering af TV-mundsynkronisering.

Optisk indgangssignal-registrering og radioregistrering gør det muligt for DALI VEGA automatisk at vælge sin optiske indgang, enten når den optiske kilde blot tændes, eller kun når der er et lydsignal til stede.

9. DALI VEGA-KONFIGURERING

Input sense (signalregistrering)

Menuen **Input sense** gør det muligt for DALI VEGA at tænde fra standby, så snart der er et signal på en hvilken som helst indgang, og automatisk slukke efter 20 minutter, hvis der ikke er noget indgangssignal. **Input sense** kan aktiveres eller deaktiveres. Vælg den ønskede indstilling ved hjælp af **lydstyrkehjulet**.



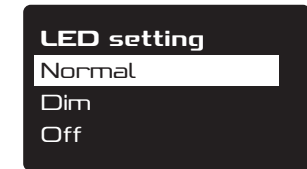
! Analoge og optiske indgange vælges automatisk, når der registreres et lydssignal, forudsat at Input sense er aktiveret (**On (til)**) og VEGA ikke allerede afspiller.

Bluetooth- og BluOS-indgangene vælges automatisk, når der trykkes på afspilningsknappen for kilden.

HDMI ARC-indgangen vælges automatisk, når et tilsluttet TV tændes, og hvis VEGA ikke allerede afspiller.

LED setting (LED indstilling)

Menuen **LED setting** gør det muligt at justere lysstyrken på DALI VEGA-indikator-LED'erne. Vælg den ønskede indstilling ved hjælp af **lydstyrkehjulet**.



! Hvis LED-indstillingsmenuen er indstillet til **Off (fra)**, er DALI VEGA LED'erne altid slukket, og det aktuelle kildevalg vises i nederste højre hjørne af displayet.

9. DALI VEGA-KONFIGURERING

Info

Menuen **Info** viser systemoplysninger, der kan være nyttige til fejlfinding. Brug **lydstyrkehjulet** til at vælge og se de ønskede oplysninger, og luk menuen ved hjælp af knappen **tilbage/afslut**.

Software version

BluOS version

Player name

IP address

LAN MAC addr.

WiFi Mac addr.

Orientation

Reset (nulstil)

I menuen **Reset** kan du slette dine DALI VEGA-brugerindstillinger.

Brug **lydstyrkehjulet** til at vælge den ønskede indstilling, og luk menuen ved hjælp af knappen **tilbage/afslut**.

Reset

Settings

BluOS/WiFi

All

- ! Under **Settings** kan du nulstille alle brugerindstillinger, inklusive Bluetooth-parringen, men ikke BluOS-forudindstillinger og Wi-Fi-opsætning.

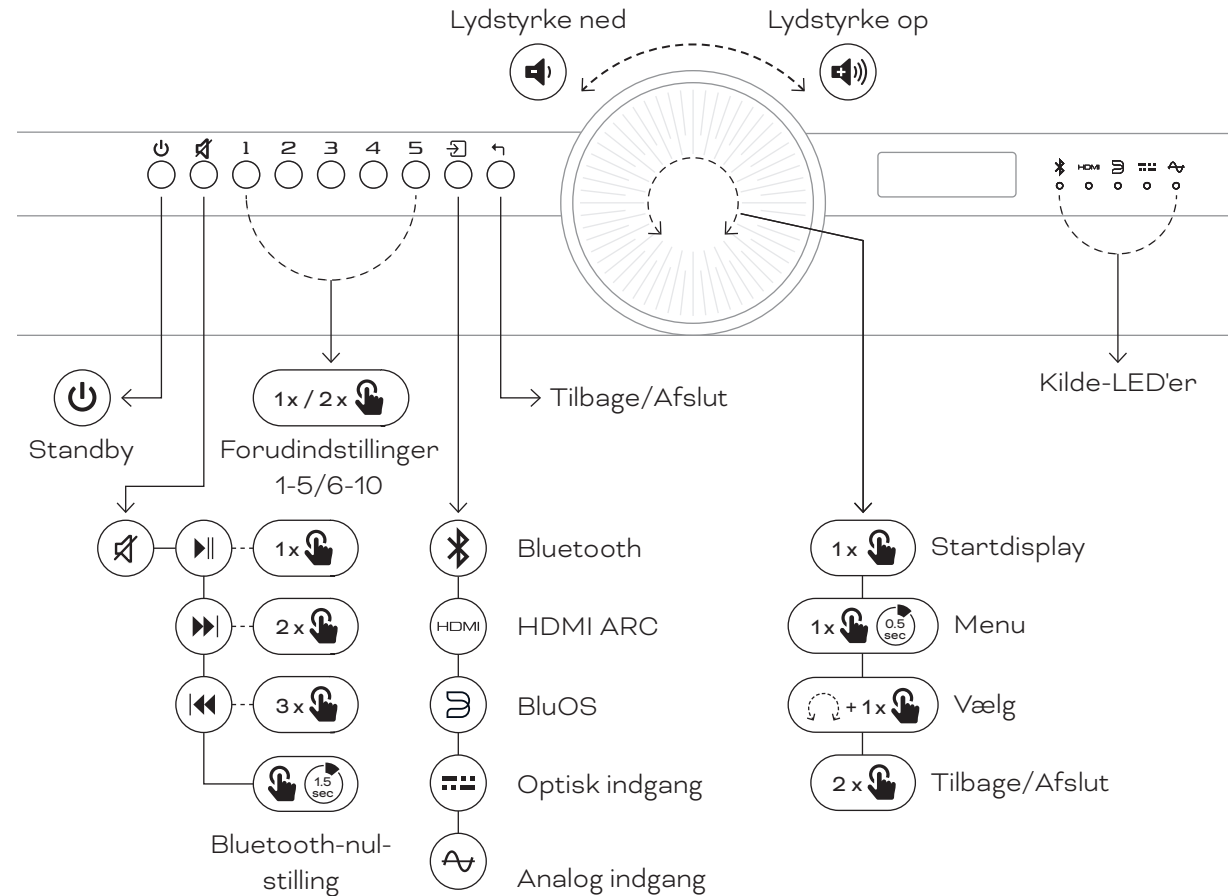
Funktionen **BluOS/Wi-Fi** sletter gemte BluOS-forudindstillinger og nulstiller Wi-Fi-forbindelsen, hvilket sætter DALI VEGA tilbage til BluOS Hotspot-tilstand, så den er klar til en ny Wi-Fi-forbindelse.

Funktionen **All** kombinerer de to andre nulstillingsmuligheder.

10. DIN DALI VEGA I BRUG

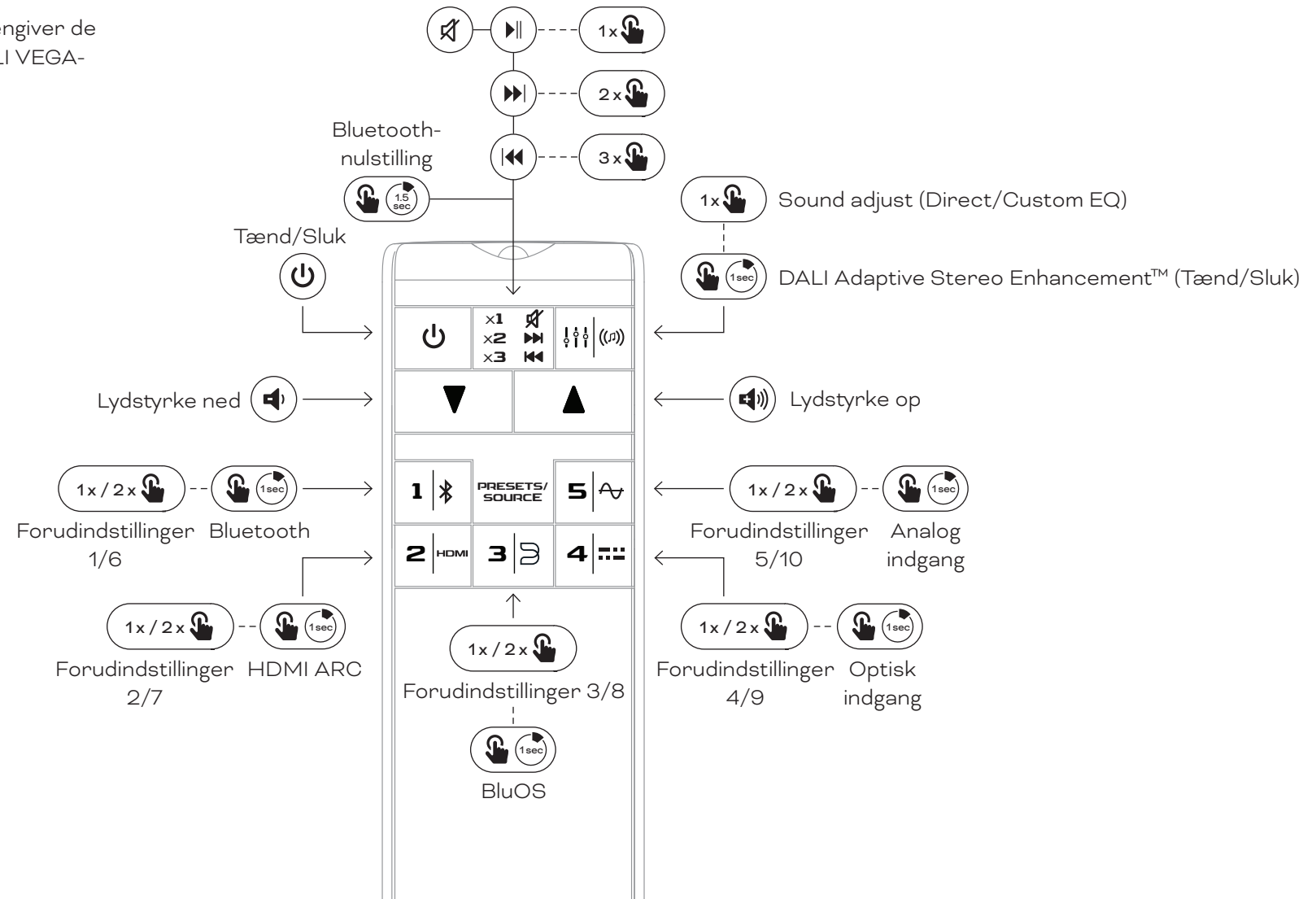
Når din DALI VEGA er placeret, tilsluttet og konfigureret, er det tid til at nyde dens ydeevne med din yndlingsmusik.

Når du skal styre din DALI VEGA kan du enten bruge de indbyggede **knapper** og **lydstyrkehjulet** eller **fjernbetjeningen**. Fjernbetjeningen og dens knapper er illustreret på næste side.



10. DIN DALI VEGA I BRUG

DALI VEGA-fjernbetjeningen gengiver de mest anvendte funktioner i DALI VEGA-højtaleren.




10. DIN DALI VEGA I BRUG

DALI VEGA-knapper og lydstyrkehjulet

Fra venstre mod højre har DALI VEGA-knapperne følgende funktioner:

Standbyknop

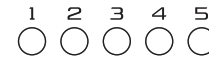
Tryk på standby-knappen for at vække din DALI VEGA eller sætte den i standby.

 DALI VEGAs strømforbrug i standby-tilstand er mindre end 0,5 watt.

Mute-knappen

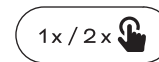
Tryk på knappen **Mute** for at slå lyden fra eller gendanne den. Hvis den valgte kilde tilbyder afspilningsknapper, styrer

Mute -knappen dens funktioner: tryk én gang for **afspil/pause**, to gange for **at springe fremad** og tre gange for **at springe tilbage**. Tryk og hold **Mute** -knappen nede for at nulstille Bluetooth.

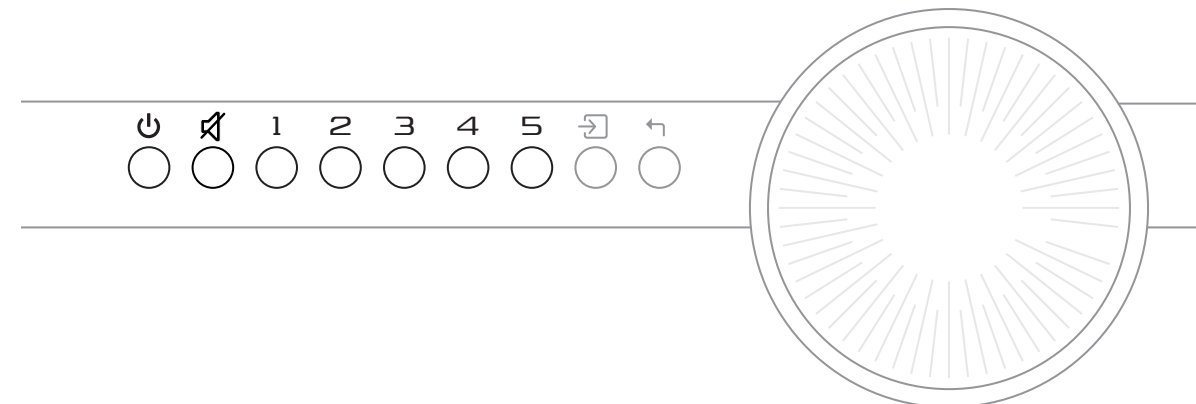


Forudindstillingsknapper 1 til 10

Forudindstillingsknapperne muliggør øjeblikkelig valg af gemte elementer, såsom radiostationer eller streamingtjenester.



Et enkelt tryk aktiverer forudindstillingerne 1 til 5.
Et dobbelttryk aktiverer forudindstillingerne 6 til 10.



10. DIN DALI VEGA I BRUG

↗ Indgangsknap

Ved at trykke på **indgangsknappen** vælges de tilgængelige DALI VEGA-signalindgange i følgende rækkefølge:

 Bluetooth

 HDMI ARC

 BluOS

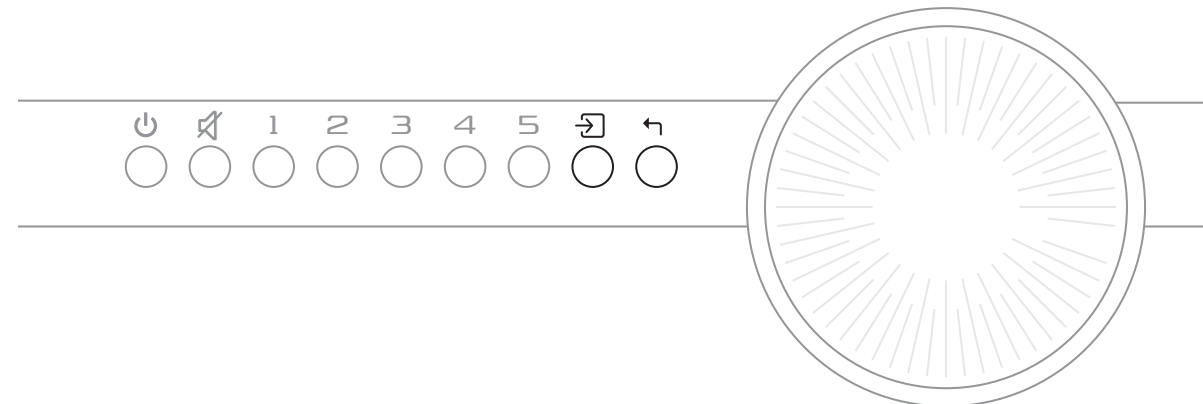
 Optisk indgang

 Analog indgang

! Det første tryk på indgangsknappen viser den aktuelle signalkilde. Efterfølgende tryk skifter mellem kilderne.

↶ Tilbage/Afslut-knap

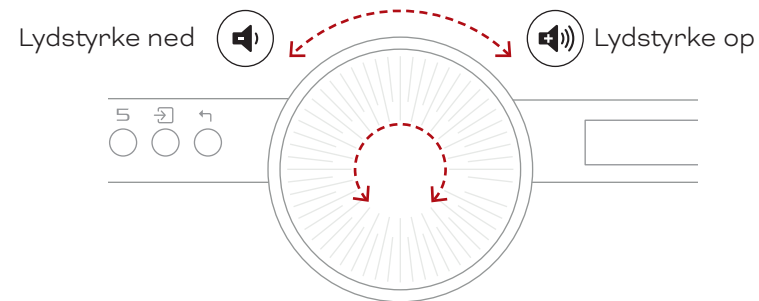
Ved at trykke på knappen **tilbage/afslut** går man tilbage gennem menuerne.



10. DIN DALI VEGA I BRUG

Lydstyrkehjulet

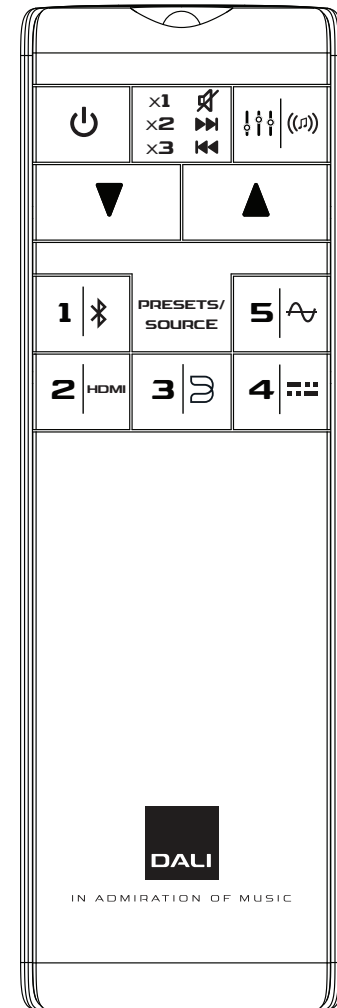
Når din DALI VEGA er tændt og ikke i opsætnings-tilstand, styrer **lydstyrkehjulet** lydstyrken. Drej den med uret for at øge lydstyrken og mod uret for at sænke lydstyrken.



Fjernbetjening

DALI VEGA-fjernbetjeningen gengiver de mest anvendte funktioner i DALI VEGA-højttaleren.

DALI VEGA-fjernbetjeningen og dens knapfunktioner er illustreret på side 24.



11. BLUETOOTH-FORBINDELSE

11.1 Bluetooth-parring

Sådan forbinder du din Bluetooth-enhed til DALI VEGA:

1. Tænd din DALI VEGA.
2. Vælg Bluetooth-indgangen ved hjælp af indgangsknappen.
3. DALI VEGA er nu klar til Bluetooth-parring.
 - a. Hvis Bluetooth-LED'en blinker, er der ingen enhed tilsluttet.
 - b. Hvis Bluetooth-LED'en lyser konstant, er der tilsluttet en enhed. Brug Bluetooth-nulstillingsfunktionen for at afbryde en tilslutning.
 - c. Kun én Bluetooth-enhed kan tilsluttes ad gangen.
 - d. Start Bluetooth-parring på din enhed. Når parringen er fuldført, afspilles musikken fra din Bluetooth-tilsluttede enhed.

DALI VEGA opretter automatisk forbindelse til den senest anvendte enhed, når Bluetooth vælges, hvis en enhed tidligere er blevet parret med DALI VEGA og er inden for rækkevidde.

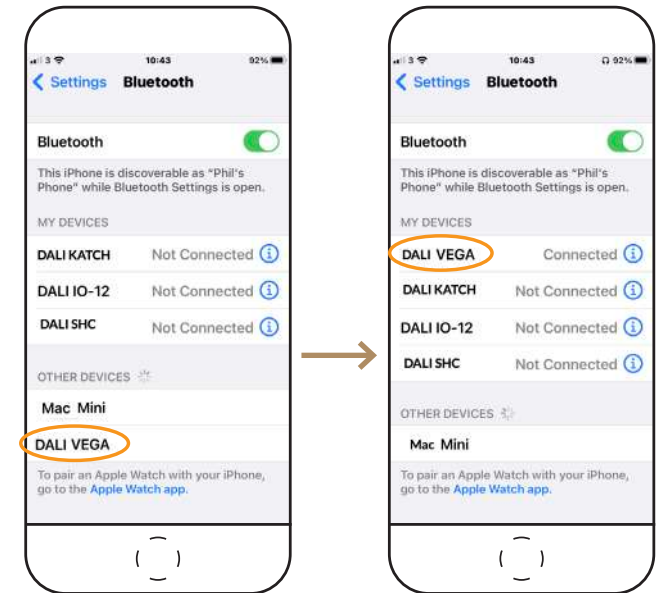
DALI VEGA starter ikke automatisk afspilning. Afspilningen skal startes fra den tilsluttede enhed eller ved at trykke kort på Mute-knappen på din DALI VEGA eller fjernbetjeningen.

11.2 Bluetooth-nulstilling

Hvis du ikke kan parre din enhed med DALI VEGA:

1. Tryk og hold Bluetooth-nulstillingsknappen (Mute-knappen) nede, indtil Bluetooth-nulstillingslyden afspilles, og Bluetooth-LED'en (LED 1) begynder at blinke.
2. Den tilsluttede enhed er nu nulstillet, og du kan genstarte parringen.
3. Bluetooth-nulstilling kan også aktiveres ved at gå til **Input settings** -> **Bluetooth** i menu-systemet.

! Op til 8 Bluetooth-enheder kan parres med DALI VEGA.



! Hvis du ændrer navnet på DALI VEGA i BluOS-appen, ændres Bluetooth-navnet tilsvarende.












12. PLEJE OG SUPPORT

Din DALI VEGA burde ikke kræve nogen særlig behandling ud over den pleje, du ville give andre værdifulde genstande i dit hjem. Brug en blød, tør klud til at tørre støv af kabinettet.

DALI anbefaler ikke brug af rengøringsvæsker eller -spray.

13. BLUOS FEJLFINDING

Den flerfarvede lysindikator ved BluOS-logoet angiver også BluOS-status for DALI VEGA:

	Indikatorlyskode	Beskrivelse
	Konstant rød, derefter blinkende grøn	Tænd/Genstart af enheden
	Konstant grøn	Hotspot-tilstand
	Blinkende grøn	Ved at oprette forbindelse til WI-FI-netværk
	Pulserende hvid	Softwareopdatering tilgængelig
	Konstant rød	Opgraderingstilstand
	Blinkende skiftevis rød og grøn	Opgradering
	Blinkende blå	Mute-tilstand
	Konstant hvid	Indeksring
	Konstant blå	Forbundet til netværket – klar til brug med BluOS-appen
	Blinkende rød	Fabriksnulstilling i gang
	Konstant lilla	Hotspot-tilstanden afbrudt

For mere information, se Bluesounds supportside:

 [Bluesound supportside](#)

14. OPDATERING AF FIRMWARE

Opdateret firmware til din DALI VEGA kan lejlighedsvis blive gjort tilgængelig via BluOS-appen. Opdateret firmware kan forbedre ydeevnen og pålideligheden eller introducere nye funktioner.



15. STRØMFORBRUG

Offline-tilstand

Tryk på standby-knappen, og hold den nede i 5 sekunder. Dette vil deaktivere alle forbindelser og reducere strømforbruget til et minimum, indtil VEGA igen genaktiveres ved at trykke på standby-knappen.

Netværksforbundet standbytilstand

Netværksforbundet standbytilstand aktiveres automatisk, hvis der ikke afspilles lyd, og der ikke er foretaget noget brugervalg i 20 minutter. I denne tilstand vil enhver brugerhandling, inklusiv påbegyndelse af musikafspilning på enhver tilsluttet kilde, vække VEGA.

Deaktivering af Wi-Fi

Trådløse netværksfunktioner deaktiveres automatisk, når et Ethernet-kabel tilsluttes VEGA.

Tilstand	Strømforbrug	Aktivering	Deaktivering
Aktiv (ingen lyd)	9,2 W	(Se "Netværksforbundet standbytilstand")	(Se "Netværksforbundet standbytilstand")
Netværksforbundet standby (HiNA)	2,9 W	Automatisk efter 20 minutter uden lyd og betjening	Enhver brugerbetjening, inklusive afspilning
Offline	< 0,7 W	Manuelt, hold standby-knappen nede	Manuelt, tryk på standby-knappen

16. DALI VEGA SPECIFIKATIONER

DALI VEGA	
Frekvensområde	32 - 22.700 Hz, ±3 dB
Maksimalt lydtryksniveau @ 1 m	110 dB
Delefrekvens	2.400 Hz
Princip for delefilter	2-vejs, 8-kanals aktiv delefilter
Højfrekvensenhed(er)	4 × 25 mm blød dome
Højfrekvensmembran	Blødt vævet stof
Lav-/mellemfrekvensenhed(er)	4 × 4½ tommer
Lav-/mellemfrekvensmembran	Papir- og træfiberkegle
Kabinettype	Tunet massekabinet 2 × Rektangulære passive radiatorer (3 × 6 tommer)
Tuningsfrekvens for en passiv radiator	32 Hz
Forstærkertype	Klasse-D forstærker med brokoblet belastning (BTL)
Konstant udgangseffekt fra forstærker	8 × 50 W RMS
Forstærkerens samlede udgangseffekt	400 W
Kabelindgang	1 × HDMI ARC 1 × Analog indgang (RCA ubalanceret, stereo) 1 × Optisk indgang (Toslink, stereo) 1 × USB-lyd/Service (harddisk eller USB-drev)
Kabeludgang(e)	Subwooferudgang USB-strøm (5 V/1 A)
Subwoofer lavpasfilter	120 Hz
Digitale indgangsformater	PCM, stereo

DALI VEGA	
Trådløs(e) indgang(e)	Bluetooth BluOS Spotify Connect Tidal Connect Apple AirPlay 2
Bluetooth-indgangs-codecs	AAC aptX aptX HD
BluOS-indgangs-codecs	MP3 AAC (M4A, MP4) WMA OGG FLAC ALAC (M4A) WMA-L MQA WAV AIFF (AIF, AIFC) PCM DSD256 (DSD til PCM-konvertering)
Understøttede lydindgangsformater	16 - 24 bit lyd 32/44,1/48/96/192 kHz samplingfrekvens
Anbefalet placering	Stående: Fri plads Stående: Nær væggen Stående: Tæt på hjørne/væg På væggen: Liggende På væggen: Opretstående

Fortsætter på næste side

16. DALI VEGA SPECIFIKATIONER

DALI VEGA

Funktioner	Adaptive Orientation Adjustment (adaptiv lydjustering) DALI Adaptive Stereo Enhancement Op til 40 programmerbare forudindstillinger Sound adjust (Direct/Custom EQ) Rear wall distance (afstand til bagvæg) Bluetooth-nulstilling/glem HDMI lydforsinkelse Optisk signal-/Radioregistrering Input sense (signalregistrering) LED setting (LED indstilling) Fabriksnulstilling Standby (automatisk tænd/sluk) Mute Tænd/Sluk Lydstyrke Kildevalg
Maksimalt strømforbrug	250 W
Strømforbrug i standbytilstand	≤ 3 W
Mål (H × B × D)	143 x 683 x 243 mm 5,63 x 26,90 x 9,57 tommer
Forsendelsesmål (H × B × D)	330 x 870 x 200 mm 13,0 x 34,25 x 7,87 tommer
Vægt	8,7 kg 19,18 lb
Forsendelsesvægt	13,3 kg 29,32 lb
Finish	Dark Oak Natural Oak

DALI VEGA

Medfølgende tilbehør	1 × Fjernbetjening 2 × AAA-batterier (til fjernbetjeningen) 2 × Vægbeslag (væg) 2 × Vægbeslag (VEGA) 2 × Skruer til VEGA vægbeslag 1 × M6 unbrakonøgle 1 × Kabelholder 1 × Lysnetkabel 1 × Produktregistreringskort 1 × Quickstartguide 2 × vægmonteringskabelon 1 × Sikkerhedsmanual
----------------------	--

Alle tekniske specifikationer kan ændres uden varsel.

Juridiske informationer

Følgende termer er varemærker eller registrerede varemærker, der tilhører de respektive ejere:

Bluetooth®	Bluetooth SIG, Inc.
BluOS™	Bluesound International, a division of Lenbrook Industries Limited
HDMI®	HDMI Licensing Administrator, Inc.
Wi-Fi®	Wi-Fi Alliance

DALI VEGA

HANDLEIDING

VERSIE 1.0 - MAART 2026
NEDERLANDS



DALI



INHOUD

1.	Inleiding	242
2.	Inhoud verpakking	243
3.	Uitpakken	244
4.	Wifi-verbinding en BluOS-installatie	245
5.	Positionering van uw DALI VEGA	246
6.	Kabelbeheer	248
7.	Uw DALI VEGA aan de wand monteren	249
8.	Bekabelde verbindingen	254
9.	DALI VEGA configuratie	257
10.	Gebruik van uw DALI VEGA	263
11.	Bluetooth verbinding	268
12.	Verzorging en ondersteuning	269
13.	BluOS probleemoplossing	269
14.	Firmware-updates	270
15.	Energieverbruik	271
16.	DALI VEGA specificaties	272

1. INLEIDING

Gefeliciteerd met uw nieuwe DALI VEGA. De DALI VEGA is een ultramodern, alles-in-één geluidssysteem dat is ontworpen om de maatstaf te zijn voor stijlvolle muziekweergave in één thuisapparaat. DALI VEGA combineert een fantastische geluidskwaliteit met enorme veelzijdigheid, intuïtief gebruiksgemak en een uniek, aantrekkelijk Deens luxe design.

In deze gebruikershandleiding worden de installatie en bediening van de DALI VEGA beschreven.

Lees de handleiding voordat u uw DALI VEGA gaat installeren en gebruiken.

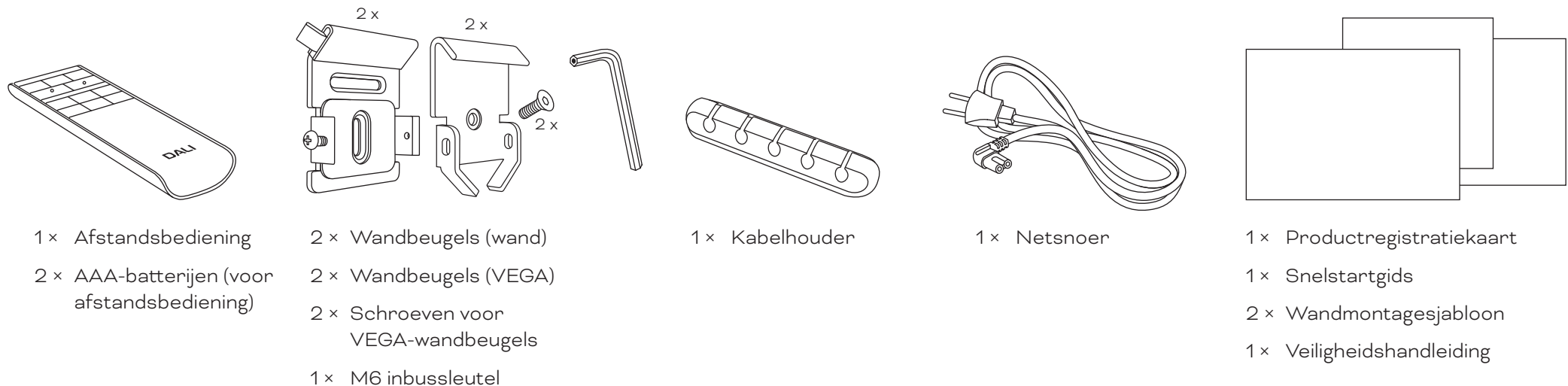
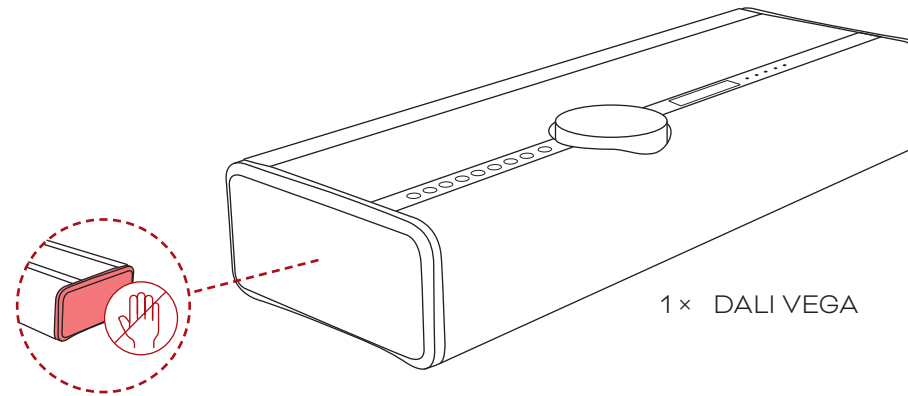
De handleiding begint met een beschrijving van de inhoud van de DALI VEGA-box en gaat vervolgens in op de plaatsing, aansluitingen, configuratie en het dagelijks gebruik van de DALI VEGA.



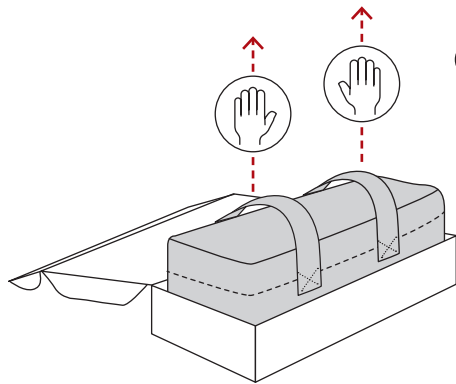
2. INHOUD VERPAKKING

De inhoud van de DALI VEGA-verpakking wordt hieronder afgebeeld.

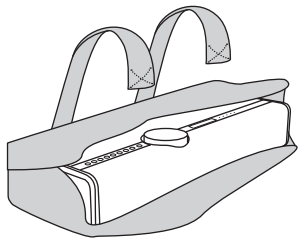
! Zorg dat u de passieve radiatordrivers aan beide uiteinden van de DALI VEGA niet aanraakt.



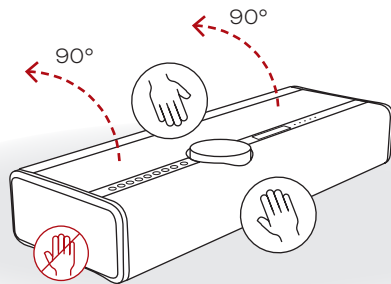
3. UITPAKKEN



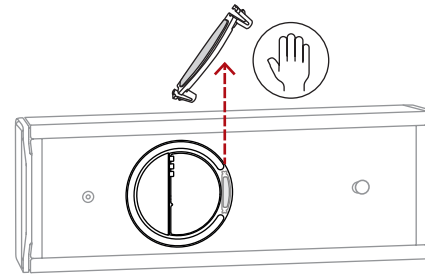
- 1** Open het deksel van de doos en gebruik beide banden om de VEGA uit de doos te tillen.



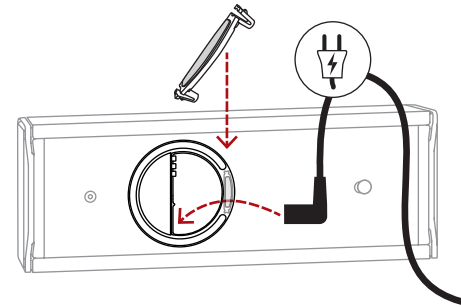
- 2** Maak de klittenbandsluitingen los en verwijder de hoes.



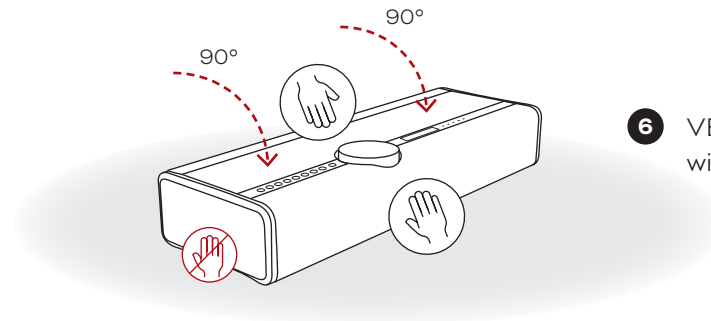
- 3** Kantel de VEGA 90 graden naar de achterkant. Open en verwijder de kabelklem.



- 4** Sluit het netsnoer en eventuele extra kabels aan.



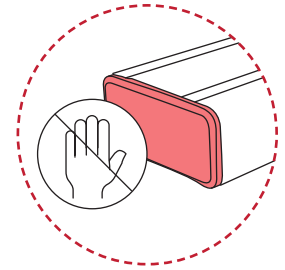
- 5** Bevestig de kabelklem en klap de VEGA terug op zijn voetjes.



- 6** VEGA is nu klaar voor wifi-verbinding.

! BELANGRIJK!

Zorg ervoor dat u tijdens het uitpakken de passieve radiatoren niet aanraakt.



4. WIFI-VERBINDING EN BLUOS-INSTALLATIE

1 Schakel uw DALI VEGA in

Wacht tot de BluOS-LED groen brandt, wat aangeeft dat de 'Hotspot'-modus actief is.

2 Download de BluOS-app

Download en open de BluOS-app op uw smartphone of tablet.



3 Voeg uw DALI VEGA toe aan uw netwerk

De wizard 'Laten we beginnen' begeleidt u door de stappen om uw BluOS-installatie te voltooien.



Ga naar bluesound.com/downloads om de app te downloaden

De eerste netwerkconfiguratie doet u via de BluOS-app op uw smartphone of tablet. Zorg ervoor dat u de app hebt gedownload en geïnstalleerd en dat u uw smartphone of tablet bij de hand hebt wanneer u begint.

! Als u een iOS-apparaat gebruikt, kunt u de DALI VEGA ook met uw wifi-netwerk verbinden via de optie 'Nieuwe AirPlay-luidspreker instellen' in uw iOS wifi-instellingen.



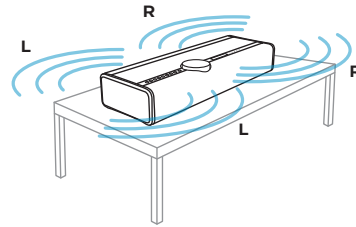
! Als de LAN-aansluiting (netwerkaansluiting) van uw DALI VEGA is aangesloten op een thuisrouter of netwerkswitch, is er geen wifi-verbinding nodig. Uw DALI VEGA kan nu worden ingesteld via de BluOS Controller-app.

→ [Bluesound ondersteuningspagina](#)

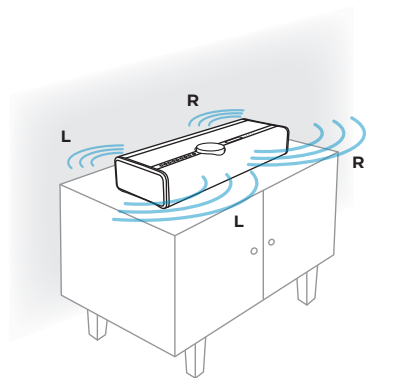
5. POSITIONERING VAN UW DALI VEGA

De DALI VEGA is zeer veelzijdig en daardoor geschikt voor installatie op de meest uiteenlopende locaties in huis. U kunt hem bijvoorbeeld op een tafel, meubel, plank of vensterbank plaatsen. De DALI VEGA kan bovendien in zowel liggende als staande positie aan de wand worden gemonteerd met behulp van de optionele DALI VEGA-wandbeugel. Wat betreft de plaatsing van uw DALI VEGA, zijn de enige vereisten toegang tot netstroom en een netwerkrouter of switch (als u de voorkeur geeft aan een bekabelde netwerkverbinding).

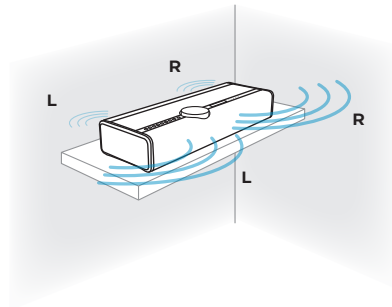
Afhankelijk van de positie van uw DALI VEGA wordt de stereo-routing automatisch aangepast aan de voorste en achterste luidsprekers, voor een staande, liggende of rechtopstaande opstelling. De weergavestand wordt ook automatisch meegedraaid.



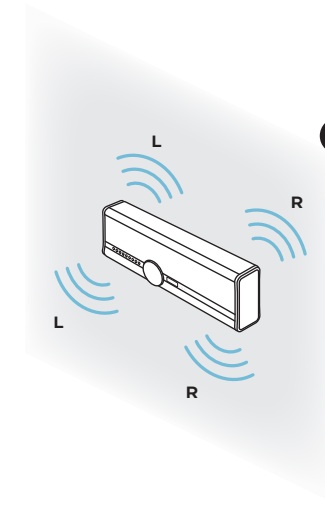
- 1 Staand: Vrije ruimte**
DALI VEGA speelt in beide richtingen: voor en achter.
Aanbevolen instelling voor de afstand tot de achterwand: **Free**.



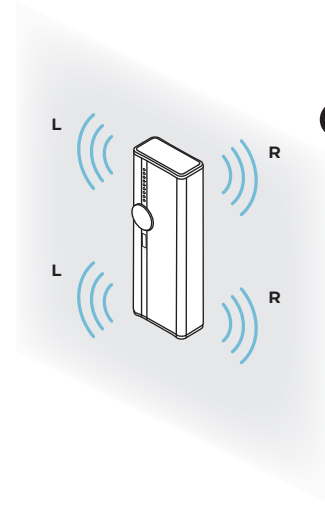
- 2 Staand: Dichtbij de wand**
DALI VEGA speelt meer aan de voorkant dan de achterkant.
Aanbevolen instelling voor de afstand tot de achterwand: **Medium**.



- 3 Staand: Dichtbij hoek/wand**
DALI VEGA speelt in deze modus nog minder achterwaarts.
Aanbevolen instelling voor de afstand tot de achterwand: **Short**.



- 4 Aan de wand: Liggend**
DALI VEGA speelt in beide richtingen.
De afstand tot de achterwand wordt automatisch ingesteld.



- 5 Aan de wand: Rechtopstaand**
DALI VEGA speelt in beide richtingen.
De voorste drivers spelen het linkerkanaal af, en de achterste drivers spelen het rechterkanaal af.
De afstand tot de achterwand wordt automatisch ingesteld.

5. POSITIONERING VAN UW DALI VEGA

Adaptive Orientation Adjustment (Adaptieve oriëntatieaanpassing)

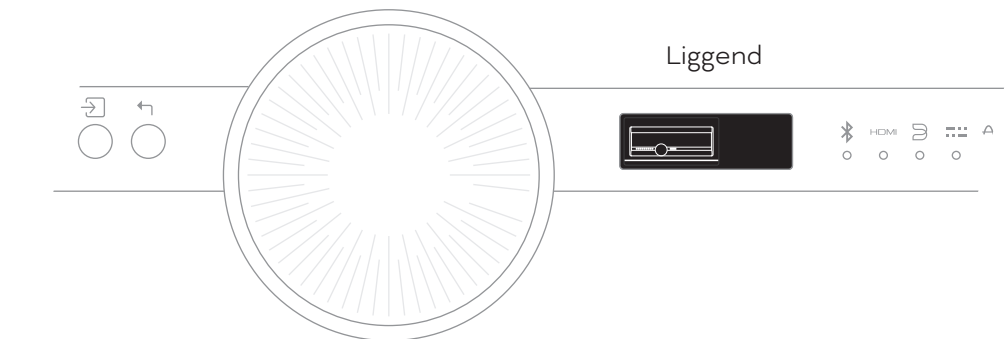
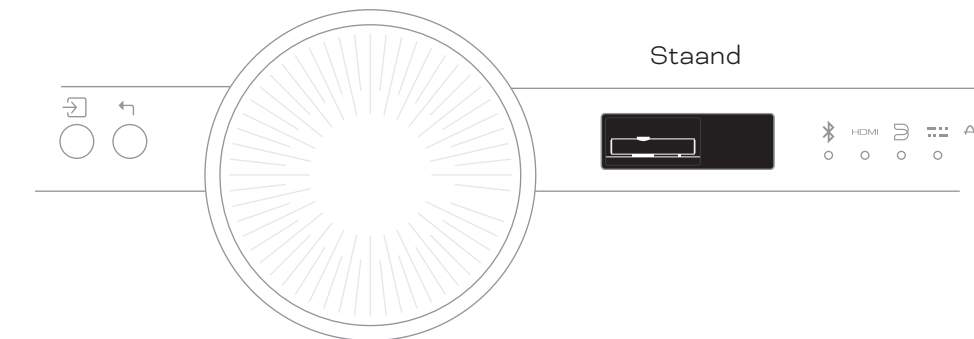
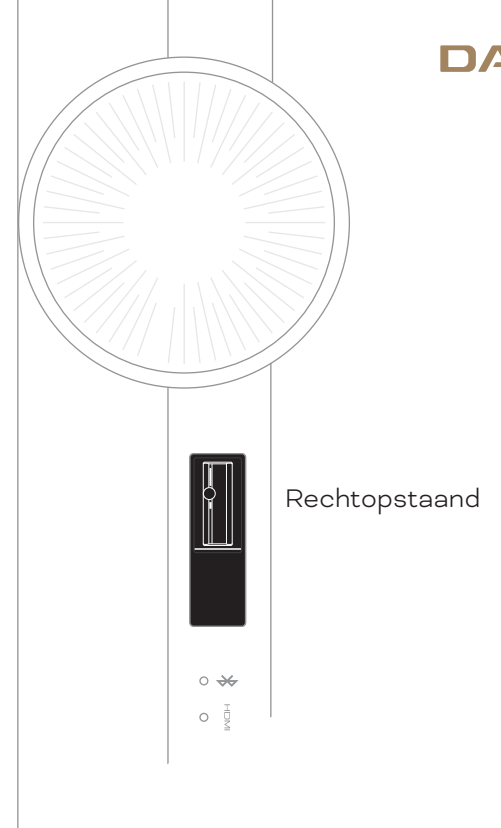
De DALI VEGA is voorzien van Adaptive Orientation Adjustment-technologie, die intern is ontwikkeld door de ingenieurs van DALI. Dankzij de Adaptive Orientation Adjustment kunt u uw DALI VEGA naadloos in elke leefruimte integreren, ongeacht hoe u hem plaatst of monteert.

VEGA is uitgerust met een interne oriëntatiesensor en detecteert op intelligente wijze de montagepositie: of het apparaat nu op een plank of tafel staat, of aan de wand is bevestigd in liggende of staande modus. En het configureert automatisch de stereokanaalindeling opnieuw om optimale audiokwaliteit te garanderen. Deze real-time

aanpassing verbetert de ruimtelijke nauwkeurigheid en het stereobeeld, waardoor u, ongeacht de plaatsing, kunt genieten van een consistente, meeslepende luisterervaring.

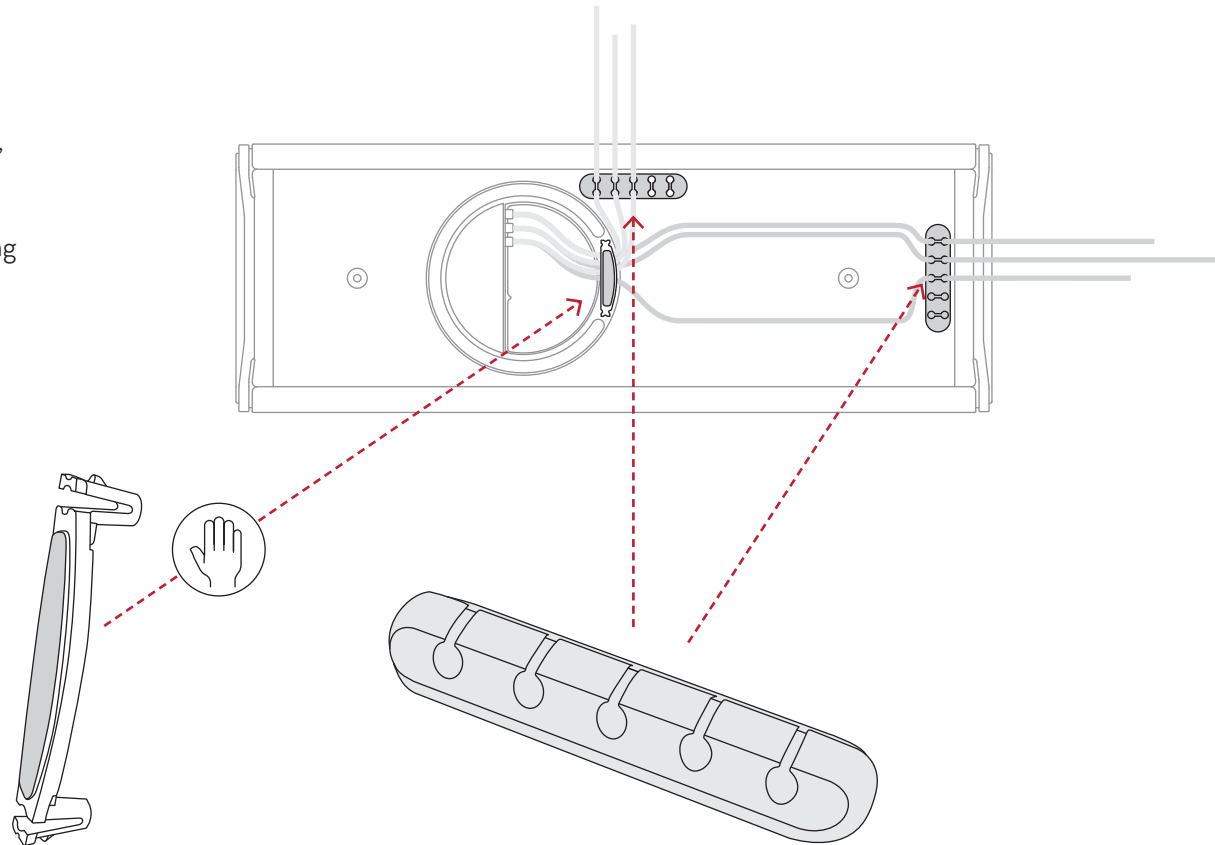
Adaptive Orientation Adjustment is een belangrijk onderdeel van VEGA's omgevingsbewuste ontwerpfilosofie, waardoor het systeem zich akoestisch kan aanpassen aan de voorkeuren van de gebruiker en de muzikale uitvoering met precisie en helderheid kan verbeteren.

Zodra u uw VEGA in de gewenste stand zet, geeft het VEGA-display de geactiveerde Adaptive Orientation Adjustment-modus aan door een van de drie logo's weer te geven.



6. KABELBEHEER

Aan de achterzijde van de VEGA bevindt zich een kabelklem, die u met beide uiteinden met uw vingers kunt openen. In combinatie met de meegeleverde kabelhouder zorgt deze functie voor eenvoudig kabelbeheer in elke gewenste richting of plaatsing.



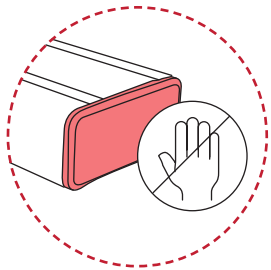
7. UW DALI VEGA AAN DE WAND MONTEREN

Om de DALI VEGA in staande of liggende stand aan de wand te bevestigen, kunt u de vier meegeleverde wandbeugels gebruiken.

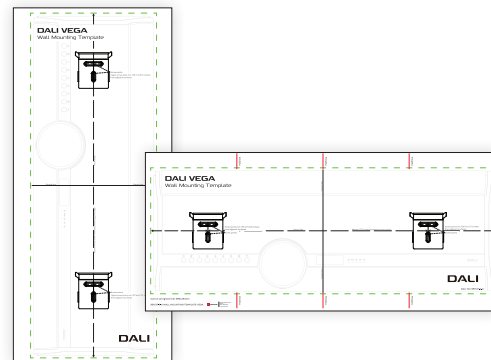
Twee van de wandbeugels worden met de meegeleverde wandbeugelschroeven aan de achterkant van de DALI VEGA gemonteerd met behulp van de M6 inbussleutel.

De twee overige wandbeugels bevestigt u met vier passende schroeven (niet meegeleverd) aan de wand.

Volg de stappen op de volgende pagina's.

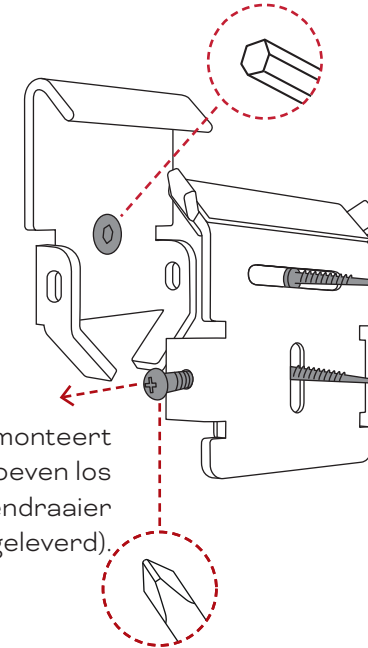


- ! Zorg ervoor dat u tijdens de montage de passieve radiatoren niet aanraakt.



Elk van de beugels voor DALI VEGA worden met één beugelschroef (meegeleverd) gemonteerd. Gebruik een M6 inbussleutel en bevestig de beugels stevig op hun plaats.

Draai voordat u de luidspreker monteert de veiligheidsschroef/schroeven los met een kruiskopschroevendraaier (niet meegeleverd).



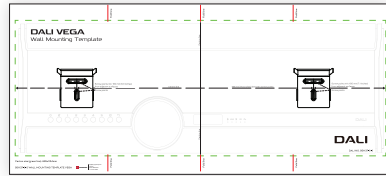
De beugels voor de wand worden met twee voor het type wand geschikte schroeven bevestigd (niet meegeleverd).

- ! Gebruik de meegeleverde **wandmontagesjablonen** om makkelijk de montageplaats van uw wandbeugels te bepalen.

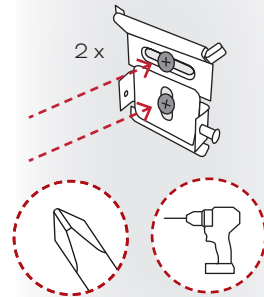
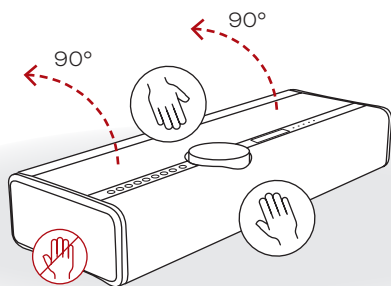
Er worden twee **wandmontagesjablonen** meegeleverd: één voor liggende stand en één voor rechtopstaande stand.

7. UW DALI VEGA AAN DE WAND MONTEREN

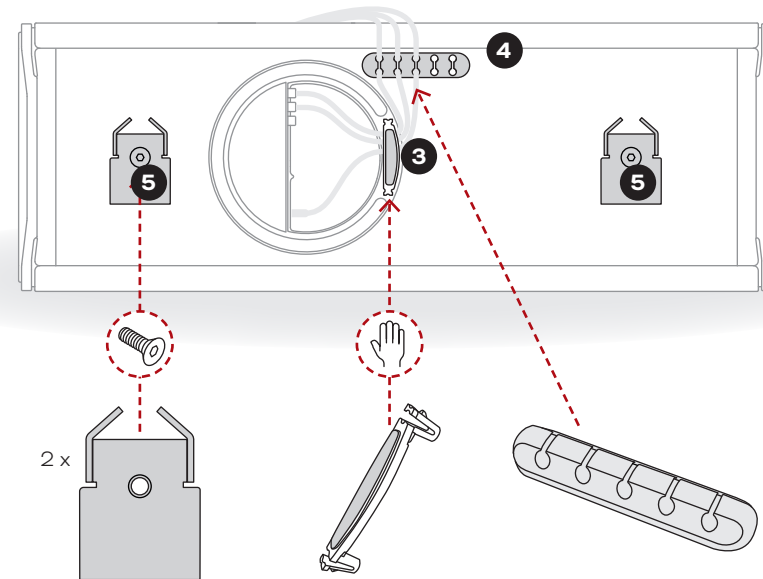
Liggende oriëntatie (1/2)



- 1 Gebruik de meegeleverde liggende wandmontagesjablonen om de 2 x 2 boorgaten te markeren en bevestig vervolgens de twee wandbeugels aan de wand.
- 2 Kantel de VEGA 90 graden naar de achterkant.



- ! Leg de VEGA NIET op zijn voor- of bovenkant, omdat dit onbedoeld krassen op het volumewiel kan veroorzaken.

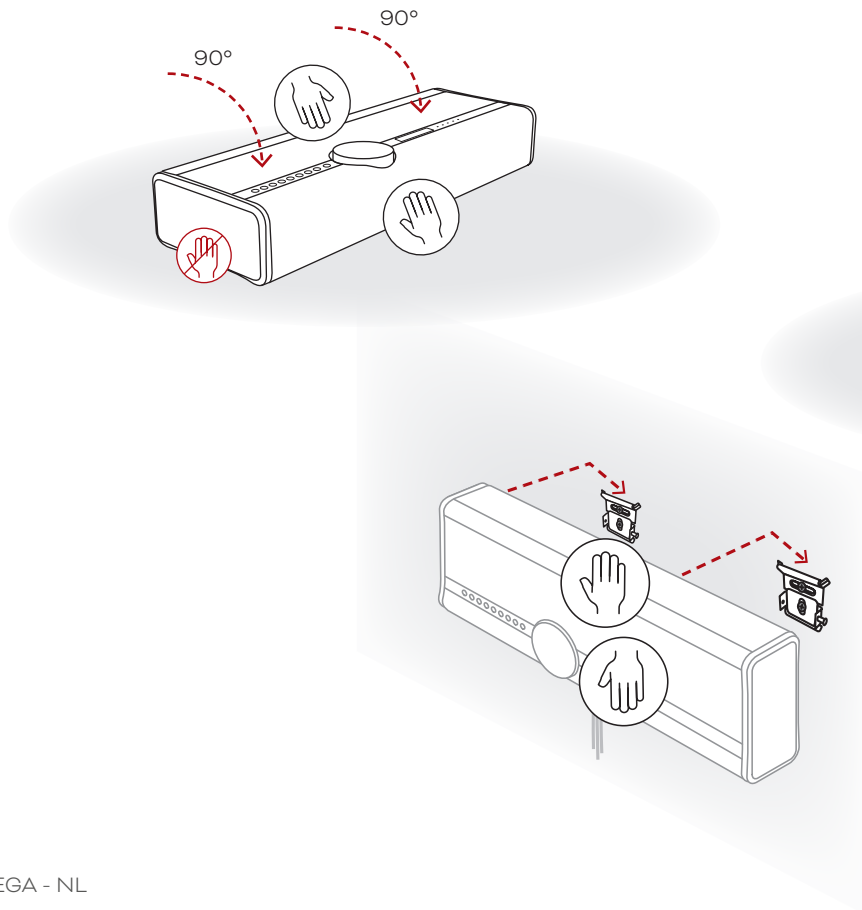


- 3 Monteer de VEGA-wandbeugels voor liggende oriëntatie.
- 4 Plaats de zelfklevende kabelhouder en leid de kabels erdoorheen.
- 5 Verwijder de kabelklem, sluit de kabels aan en bevestig de kabelklem opnieuw.

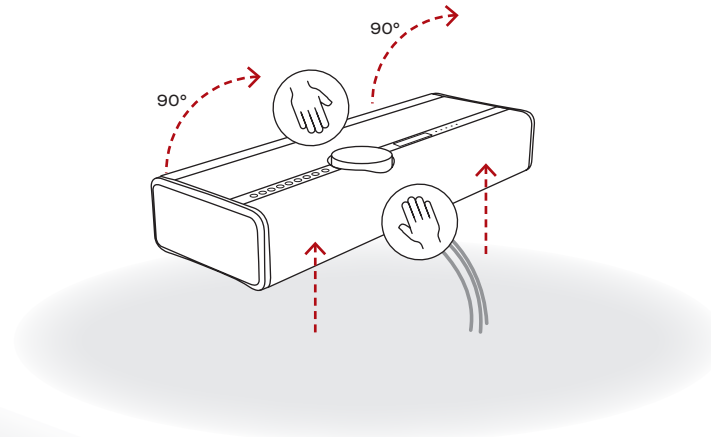
7. UW DALI VEGA AAN DE WAND MONTEREN

Liggende oriëntatie (2/2)

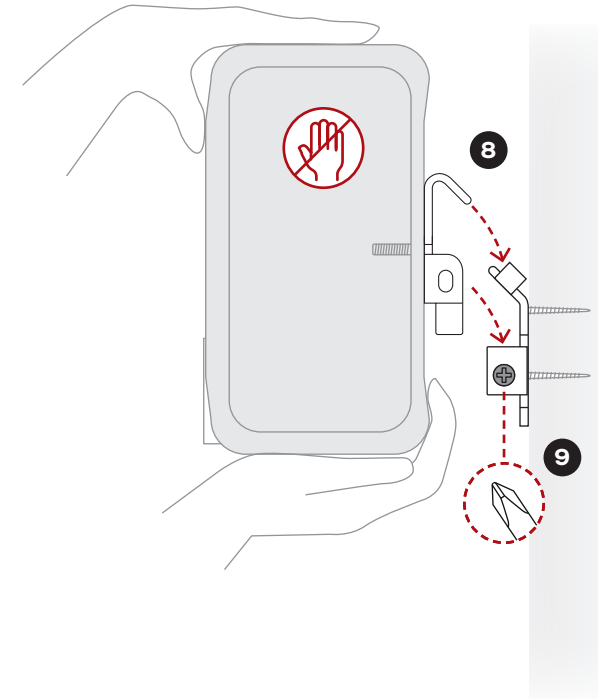
- 6** Zet de VEGA weer op zijn voetjes.



- 7** Til de VEGA op en draai de onderkant (en de wandbeugels) naar de wand.

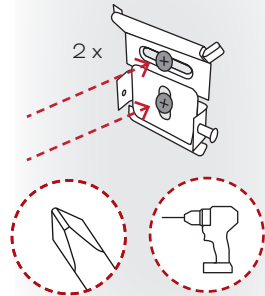
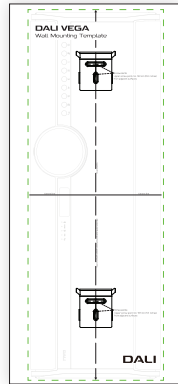


- 8** Til de VEGA voorzichtig op zijn plaats en bevestig deze aan de beugels.
- 9** Draai de veiligheidsschroeven vast met een kruiskopschroevendraaier.



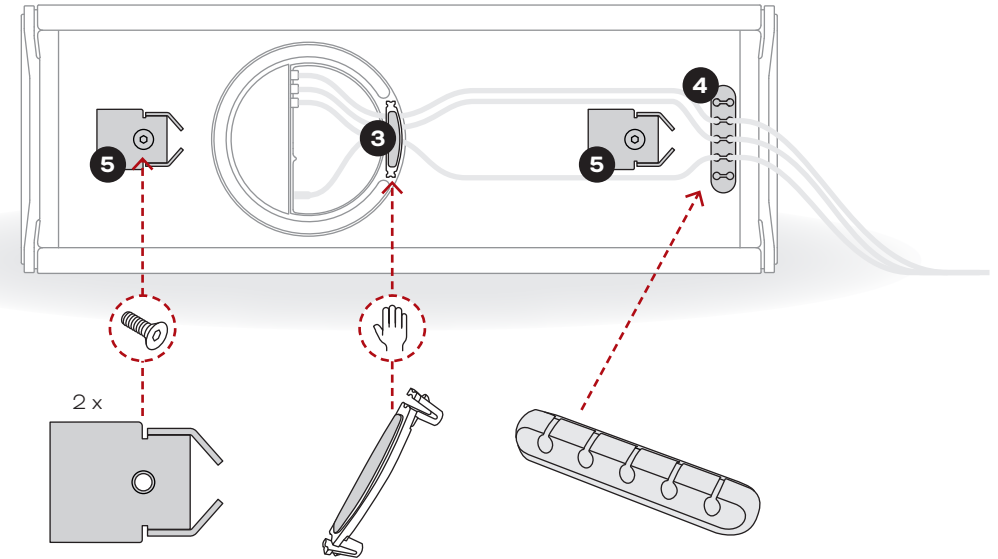
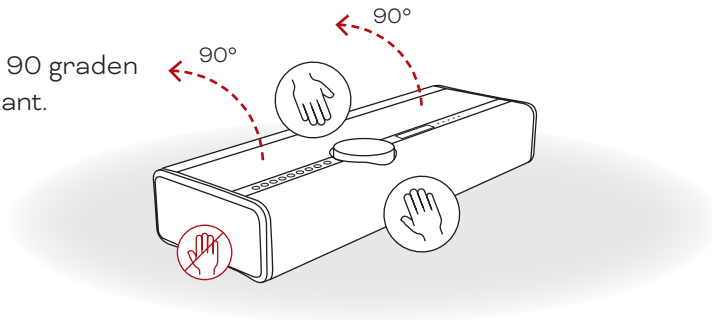
7. UW DALI VEGA AAN DE WAND MONTEREN

Rechtopstaande oriëntatie (1/2)



- 1 Gebruik de meegeleverde rechtopstaande wandmontagesjablonen om de 2 x 2 boorgaten te markeren en bevestig vervolgens de twee wandbeugels aan de wand.

- 2 Kantel de VEGA 90 graden naar de achterkant.

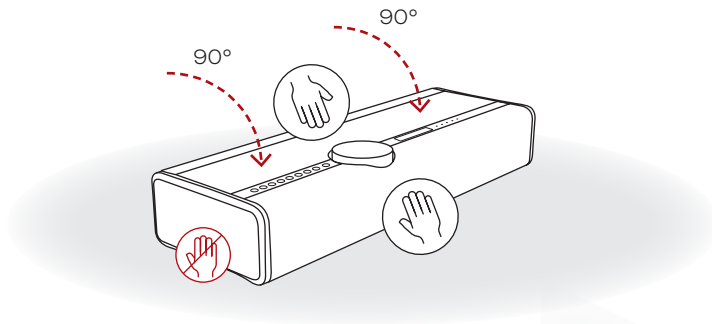


- 3 Verwijder de kabelklem, sluit de kabels aan en bevestig de kabelklem opnieuw.
- 4 Plaats de zelfklevende kabelhouder en leid de kabels erdoorheen.
- 5 Monteer de VEGA-wandbeugels voor rechtopstaande oriëntatie.

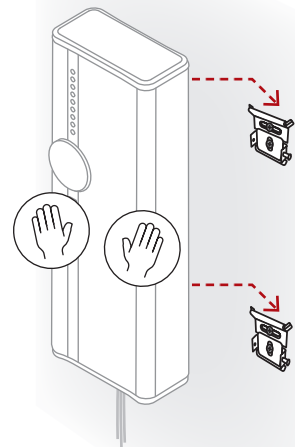
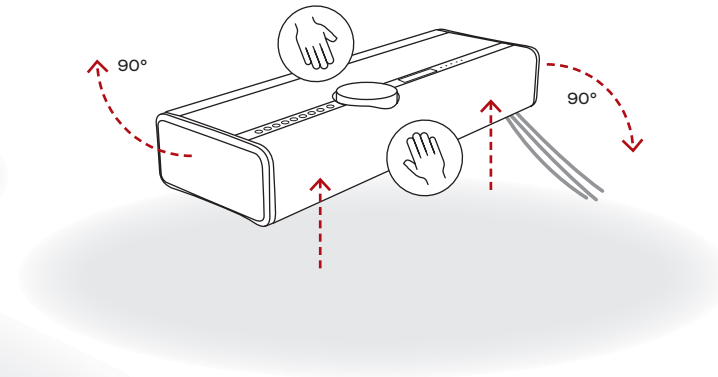
7. UW DALI VEGA AAN DE WAND MONTEREN

Rechtopstaande oriëntatie (2/2)

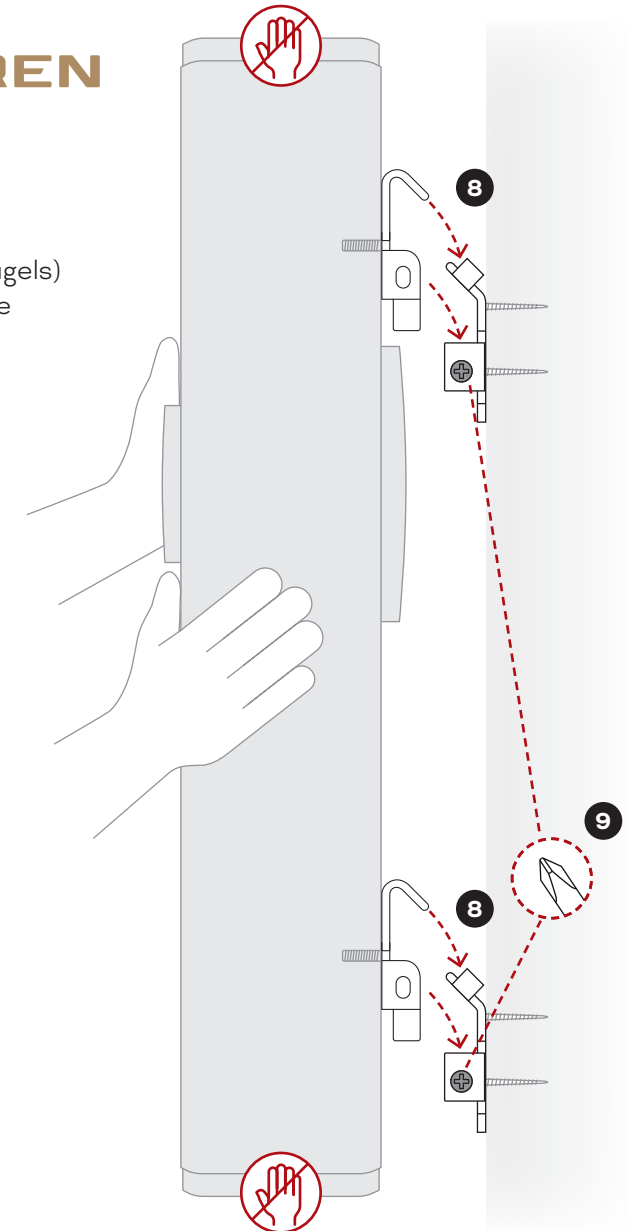
- 6** Zet de VEGA weer op zijn voetjes.



- 7** Til de VEGA op, draai de onderkant (en de wandbeugels) naar de wand en draai hem met de klok mee naar de rechtopstaande stand.



- 8** Til de VEGA voorzichtig op zijn plaats en bevestig deze aan de beugels.
- 9** Draai de veiligheidsschroeven vast met een kruiskopschroevendraaier.



8. BEKABELDE VERBINDINGEN

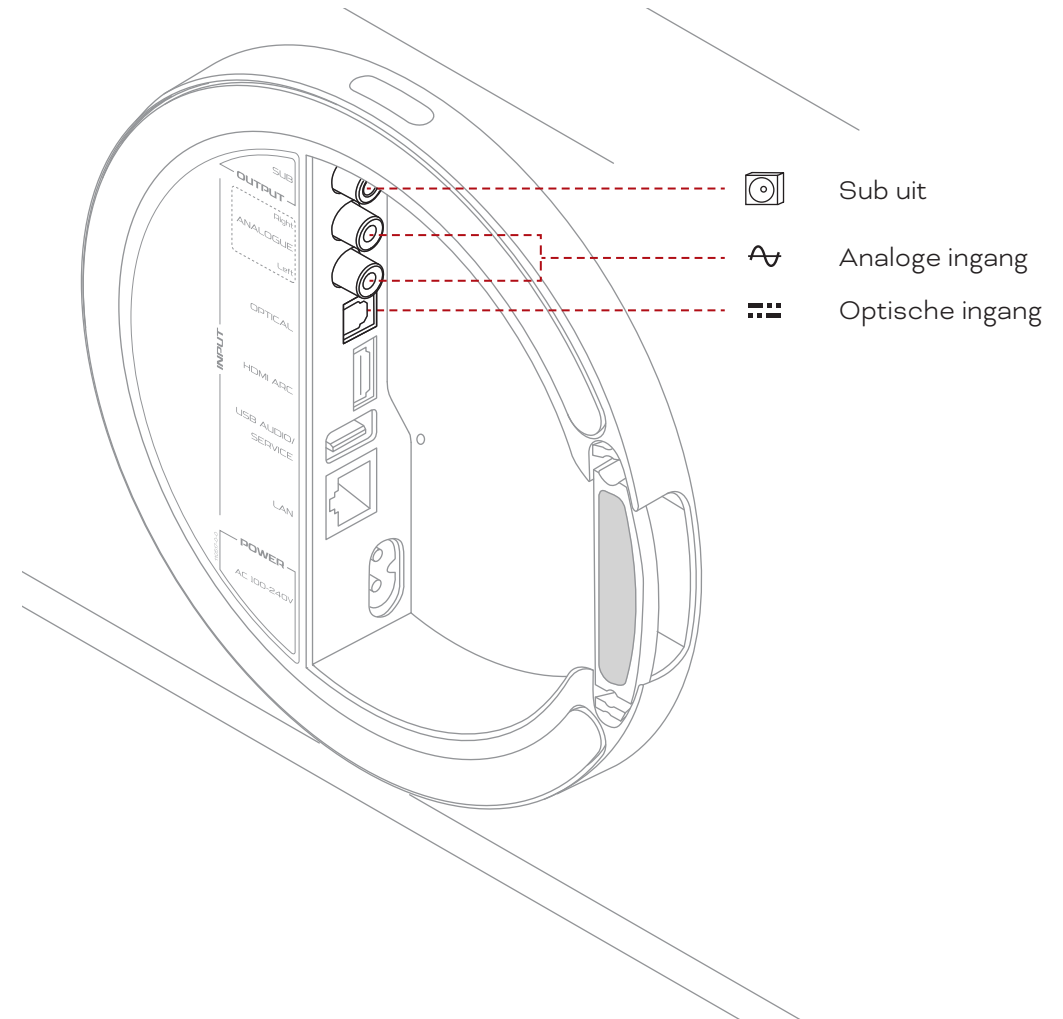
De DALI VEGA biedt een breed scala aan aansluitmogelijkheden voor integratie in uw thuisaudiosysteem.

De bekabelde aansluiten bevinden zich in het aansluitpaneel en omvatten de volgende opties:

Subwoofer-uitgang: Met de enkelvoudige RCA Phono-aansluiting kunt u een externe subwoofer aansluiten om de basweergave van uw DALI VEGA te verbeteren. Het uitgangssignaal van de subwoofer is mono met een laagdoorlaatgefilterd tot 120 Hz.

Analoge ingang: Met een stereopaar RCA Phono-aansluitingen kan een externe audiobron met lijnuitgangen worden aangesloten. Dit kan bijvoorbeeld een cd-speler of platenspeler met ingebouwde RIAA zijn.

Optische ingang: Met een TOSLINK optische digitale audioaansluiting kunt u een externe audiobron met een optische digitale uitgang aansluiten. Dit kan bijvoorbeeld een tv of een cd-speler zijn.



8. BEKABELDE VERBINDINGEN

HDMI ARC: Als u een tv hebt met een HDMI ARC (Audio Return Channel)-aansluiting, sluit deze dan aan op de HDMI ARC-aansluiting van uw DALI VEGA. Mogelijk moet u ook externe luidsprekers selecteren voor het afspelen van audio en CEC (Consumer Electronics Control) inschakelen in het instellingenmenu van uw tv. De tv-audio-uitvoerindeling moet zijn ingesteld op “PCM” of “Stereo”.

Met HDMI en CEC kunt u met de afstandsbediening van uw tv het volume, dempen en de stand-byfuncties van uw DALI VEGA bedienen.

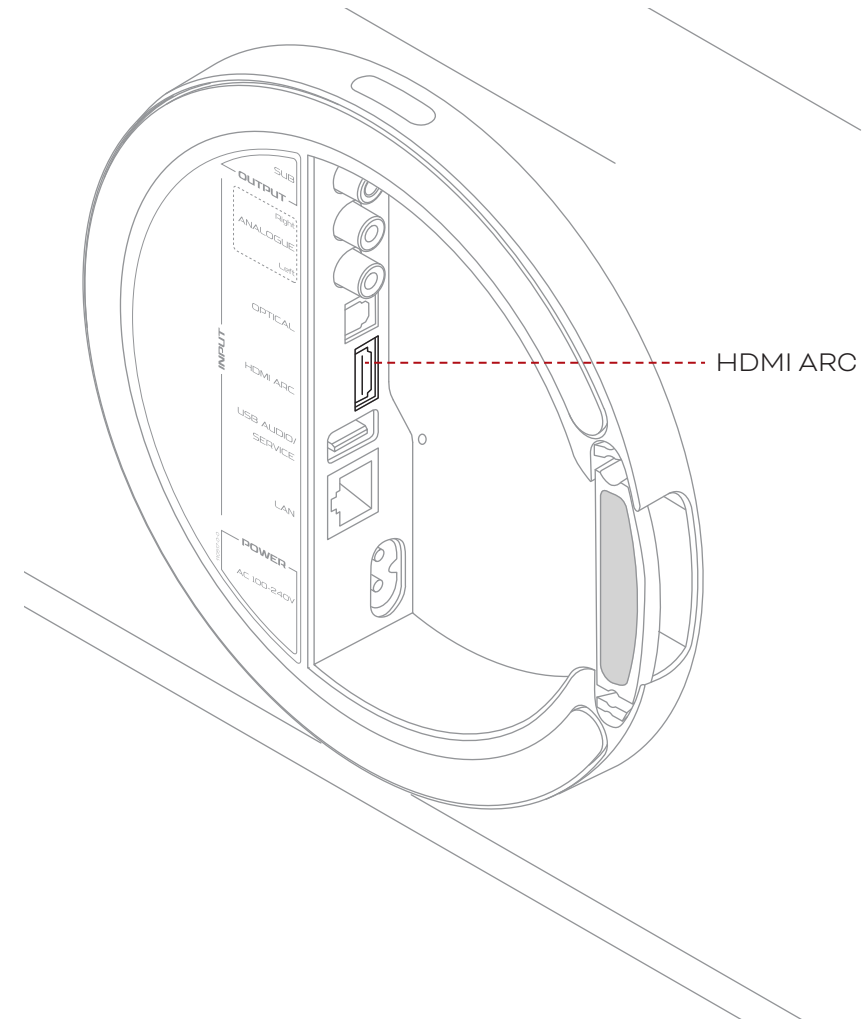
! Als uw tv geen HDMI ARC ondersteunt of als u problemen ondervindt met de HDMI-compatibiliteit, adviseert DALI om een optische verbinding te gebruiken tussen de optische audio-uitgang van de tv en uw DALI VEGA.

In dit scenario kunt u nog steeds de HDMI-verbinding gebruiken om de DALI VEGA via CEC te bedienen met behulp van de afstandsbediening van uw tv.

Om de basisfuncties van DALI VEGA (volume, dempen, aan/uit) via HDMI met uw tv-afstandsbediening te kunnen bedienen, moet HDMI CEC op uw tv zijn ingeschakeld.

HDMI CEC heeft verschillende namen, afhankelijk van het tv-merk:

- Samsung: Anynet+
- LG: SimpLink
- Sony: Bravia Sync
- Philips: EasyLink
- Panasonic: Viera Link
- Hitachi: HDMI-CEC



8. BEKABELDE VERBINDINGEN

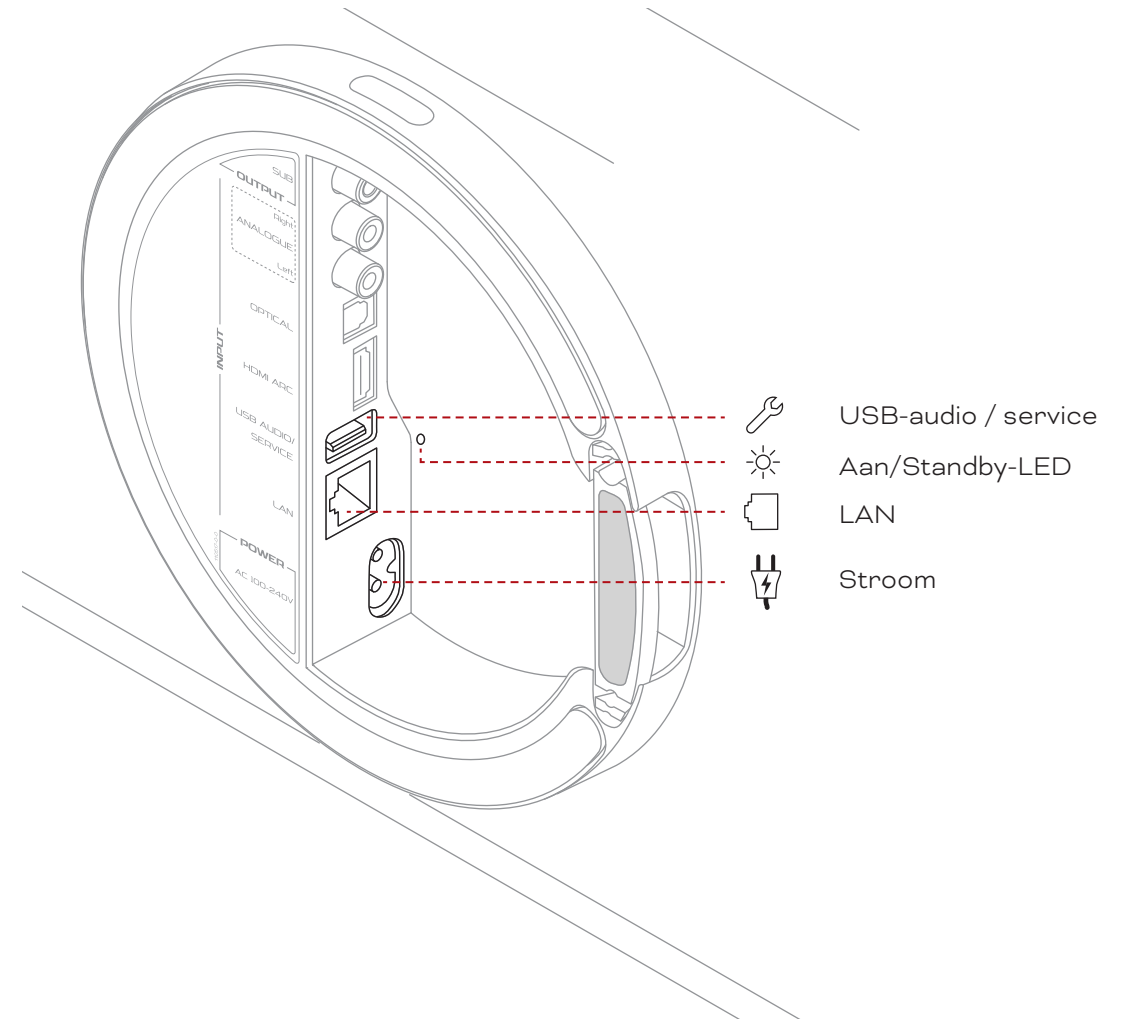
USB-audio / service: De DALI VEGA USB-aansluiting heeft twee functies. Ten eerste kunnen hiermee muziekbestanden die zijn opgeslagen op USB-opslagmedia, zoals harde schijven en pen drives, worden afgespeeld door de DALI VEGA en toegankelijk worden gemaakt via BluOS via het thuisnetwerk waarmee de DALI VEGA is verbonden. Ten tweede maakt de DALI VEGA USB-aansluiting software-updates en servicefuncties mogelijk.

➔ [Aan de slag met BluOS](#)

Aan/Standby-LED: De Aan/Standby-LED geeft de stroomstatus van de DALI VEGA aan.

LAN (netwerk): De DALI VEGA-netwerkaansluiting biedt de muziekstreamingfuncties van de BluOS-app via een bekabelde netwerkverbinding. Als u uw DALI VEGA wilt aansluiten op een bekabelde netwerkverbinding, sluit u de netwerkaansluiting met een standaard netwerkkabel aan op een router of switch in uw thuisnetwerk.

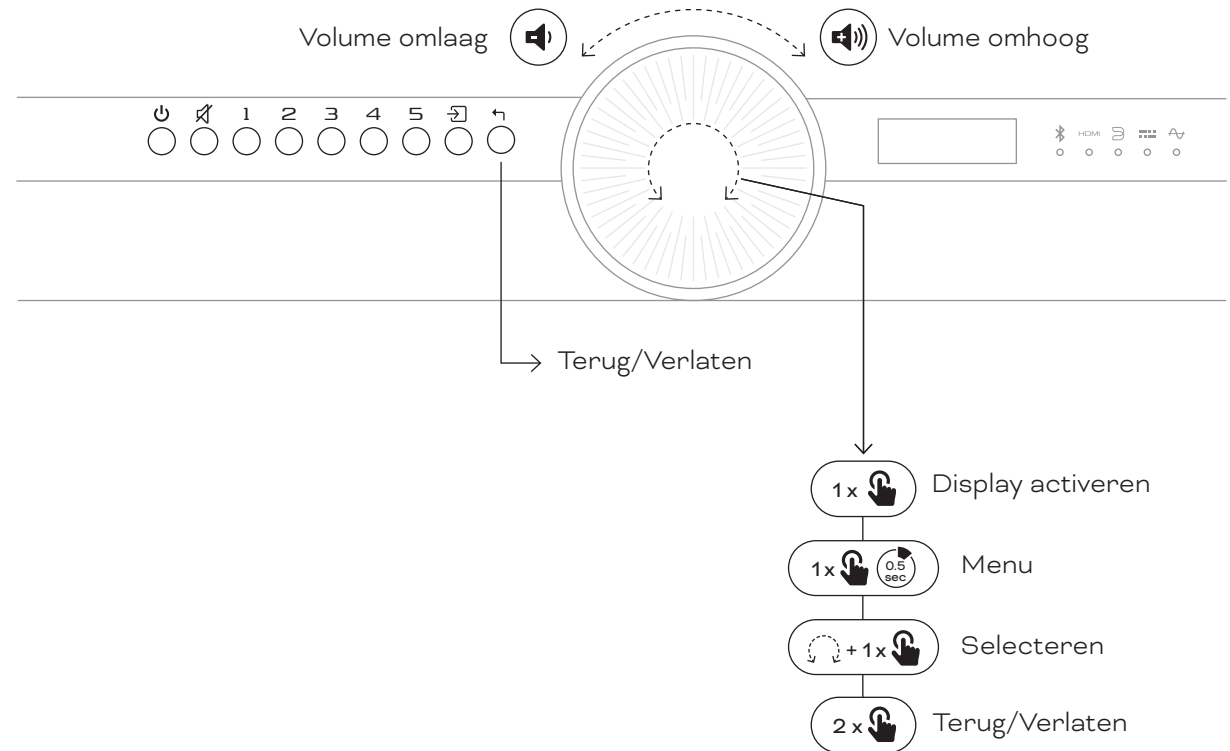
Stroom: Sluit uw DALI VEGA met behulp van het meegeleverde netsnoer aan op het lichtnet.



9. DALI VEGA CONFIGURATIE

Zodra u uw DALI VEGA op de juiste plek hebt geplaatst en hebt aangesloten op het lichtnet, uw draadloze netwerk en de benodigde bekabelde bronnen, kunt u met de configuratie beginnen.

De configuratie van de DALI VEGA vindt plaats via het menudisplay. Gebruik het **volumewiel** om menuopties te selecteren. Tik op het oppervlak van het **volumewiel** om uw selecties te bevestigen. Met de knop **Terug/Verlaten** links van het **volumewiel** kunt u geselecteerde opties opslaan en tegelijkertijd teruggaan door de instellingenmenu's.



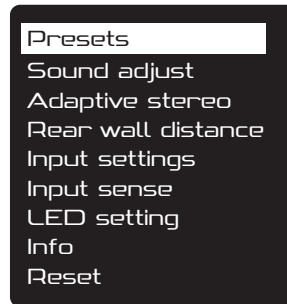
9. DALI VEGA CONFIGURATIE

DALI VEGA menu's

Om toegang te krijgen tot de DALI VEGA-configuratiemenu's, tikt u eenmaal op het midden van het **volumewiel** en houdt u dit vast. Op het display wordt het hoogste niveau van de configuratiemenu's weergegeven. Draai aan het **volumewiel** om omhoog en omlaag te scrollen door het menu en tik nogmaals op het midden van het volumewiel om een menuoptie te selecteren en het submenu te openen.

De configuratieopties die beschikbaar zijn onder elk hoofdmenu-item worden in de volgende paragrafen beschreven.

! Als er binnen 10 seconden geen keuze wordt gemaakt in een menu, keert het DALI VEGA-display terug naar het beginscherm.



Presets (voorinstellingen)

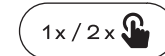
Via het menu **Presets** kunt u de presets (voorinstellingen) die in de BluOS-app zijn gemaakt, weergeven en activeren. In totaal kunnen er 10 BluOS-presets worden toegewezen (via de BluOS-app) aan de vijf presetknoppen links van het volumewiel.

Presets 1 t/m 10

Met de **Preset**knoppen kunt u direct opgeslagen items selecteren, zoals radiozenders of streamingdiensten.

Met één druk op de knop activeert u presets 1 t/m 5. Bij dubbel drukken worden de voorinstellingen 6 t/m 10 geactiveerd.

Eventuele extra opgeslagen BluOS-presets vindt u in het menu **Presets**. Hier kunt u maximaal 40 presets activeren. U kunt elke momenteel geselecteerde bron, zoals een internetradiostation of streamingdienst, toewijzen aan een van de presetknoppen, zodat u deze later snel kunt oproepen.



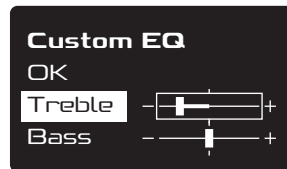
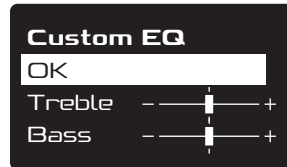
→ [Een preset toevoegen of verwijderen](#)

9. DALI VEGA CONFIGURATIE

Sound adjust (Geluid aanpassen)

In het menu **Sound adjust** kunt u kiezen uit **Direct** audio (standaard DALI VEGA-geluid) of **Custom EQ** (aangepaste equalisatie).

Als de optie **Custom EQ** is geselecteerd, toont het display de mogelijkheid om de bas en treble aan te passen, +/-10 dB, in stappen van 2 dB. Pas de bas en treble aan met het **volumewiel**.

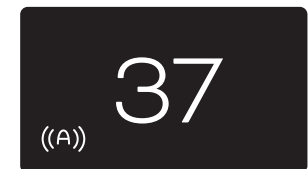
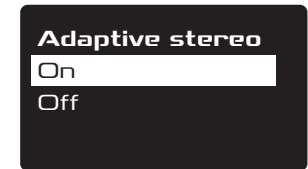


DALI Adaptive Stereo Enhancement™

De DALI VEGA is voorzien van de door DALI ontwikkelde Adaptive Stereo Enhancement (ASE)-technologie die de stereo-ervaring van compacte luidsprekers kan verbeteren door het geluid ruimtelijker, meeslepender en boeiender te maken. DALI Adaptive Stereo Enhancement is standaard ingeschakeld, maar kan indien gewenst worden uitgeschakeld.

Via het menu **Adaptive stereo** kunt u Adaptive Stereo Enhancement in- of uitschakelen. Selecteer de gewenste optie met het **volumewiel**.

- ! Wanneer Adaptive Stereo Enhancement is geactiveerd, wordt dit aangegeven met het ASE-logo ((A)) linksonder op het hoofdscherm.

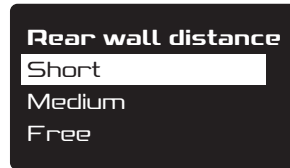


9. DALI VEGA CONFIGURATIE

Rear wall distance (afstand tot achterwand)

Het geluid van uw DALI VEGA wordt, net als bij elke andere luidspreker, beïnvloed door de aanwezigheid van nabijgelegen kamergrenzen. Met het menu **Rear wall distance** kunt u het DALI VEGA-geluid aanpassen op basis van de afstand tot een wand.

Gebruik het **volumewiel** om de optie te selecteren die het beste past bij de afstand van uw DALI VEGA tot de achterkant.

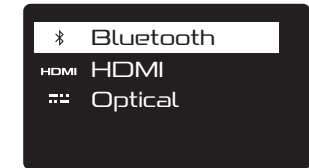


- ! **Short (kort):** Minder dan 10 cm (3,9 inch) afstand tot de achterwand
- Medium (gemiddeld):** Minder dan 10 - 50 cm (3.9 - 19.6 inch) afstand tot de achterwand
- Free (vrij):** Meer dan 50 cm (19,6 inch) afstand tot de achterwand

Het menu **Rear wall distance** is uitgeschakeld wanneer de DALI VEGA aan de wand is gemonteerd.

Input settings (ingangsinstellingen)

Met het menu **Input settings** kunt u opties configureren die specifiek zijn voor de Bluetooth-, HDMI- en optische ingangen.



De opties zijn:

- Bluetooth:** Release connection (verbinding verbreken) and Clear pairings (koppelingen wissen).
- HDMI:** Audio delay (geluidsvertraging).
- Optical:** Signal detect (signaaldetectie) en Carrier detect (draaggolfdetectie).

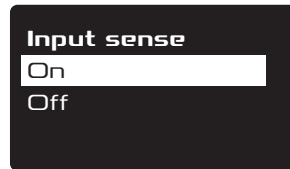
- ! Dankzij de HDMI-audiovertraging kan de lipsynchronisatie van de tv worden geoptimaliseerd.

Dankzij optische ingangssignaaldetectie en draaggolfdetectie kan de DALI VEGA automatisch de optische ingang selecteren wanneer de optische bron wordt ingeschakeld of wanneer er een audiosignaal aanwezig is.

9. DALI VEGA CONFIGURATIE

Input sense (ingangsdetectie)

Met het menu **Input sense** kan de DALI VEGA vanuit stand-by inschakelen zodra er op een willekeurige ingang een signaal aanwezig is. Na 20 minuten schakelt het apparaat automatisch uit als er geeningangssignaal aanwezig is. **Input sense** kan worden in- of uitgeschakeld. Selecteer de gewenste optie met het **volumewiel**.



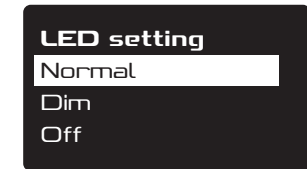
- ! Analoge en optische ingangen worden automatisch geselecteerd wanneer een audiosignaal wordt gedetecteerd, op voorwaarde dat de ingangsdetectie is ingeschakeld (**On**) en VEGA momenteel niet afspeelt.

De Bluetooth- en BluOS-ingangen worden automatisch geselecteerd wanneer op de afspreeknop van de bron wordt gedrukt.

De HDMI ARC-ingang wordt automatisch geselecteerd wanneer een aangesloten tv wordt ingeschakeld en VEGA momenteel niet afspeelt.

LED setting (LED-instelling)

Via het menu **LED setting** kan de helderheid van de DALI VEGA-indicatie-LEDs worden aangepast. Selecteer de gewenste optie met het **volumewiel**.

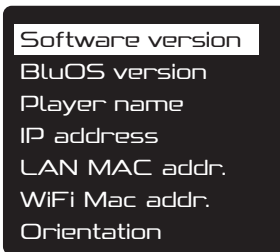


- ! Als het menu LED setting is ingesteld op **Off** zijn de DALI VEGA LEDs altijd uit en de huidige bronselectie wordt in de rechterbenedenhoek van het display weergegeven.

9. DALI VEGA CONFIGURATIE

Info

In het menu **Info** wordt systeeminformatie weergegeven die van pas kan komen bij het oplossen van problemen. Gebruik het **volumewiel** om de gewenste informatie te selecteren en te bekijken en sluit het menu af met de knop **Terug/Verlaten**.



Reset (terugzetten)

Met het menu **Reset** kunt u uw DALI VEGA-gebruikersinstellingen verwijderen.

Gebruik het **volumewiel** om de gewenste informatie te selecteren en te bekijken en sluit het menu af met de knop **Terug/Verlaten**.



- ! Met de optie **Settings** worden alle gebruikersinstellingen teruggezet, inclusief Bluetooth-koppelingen, maar met uitzondering van BluOS-voorinstellingen en wifi-instellingen.

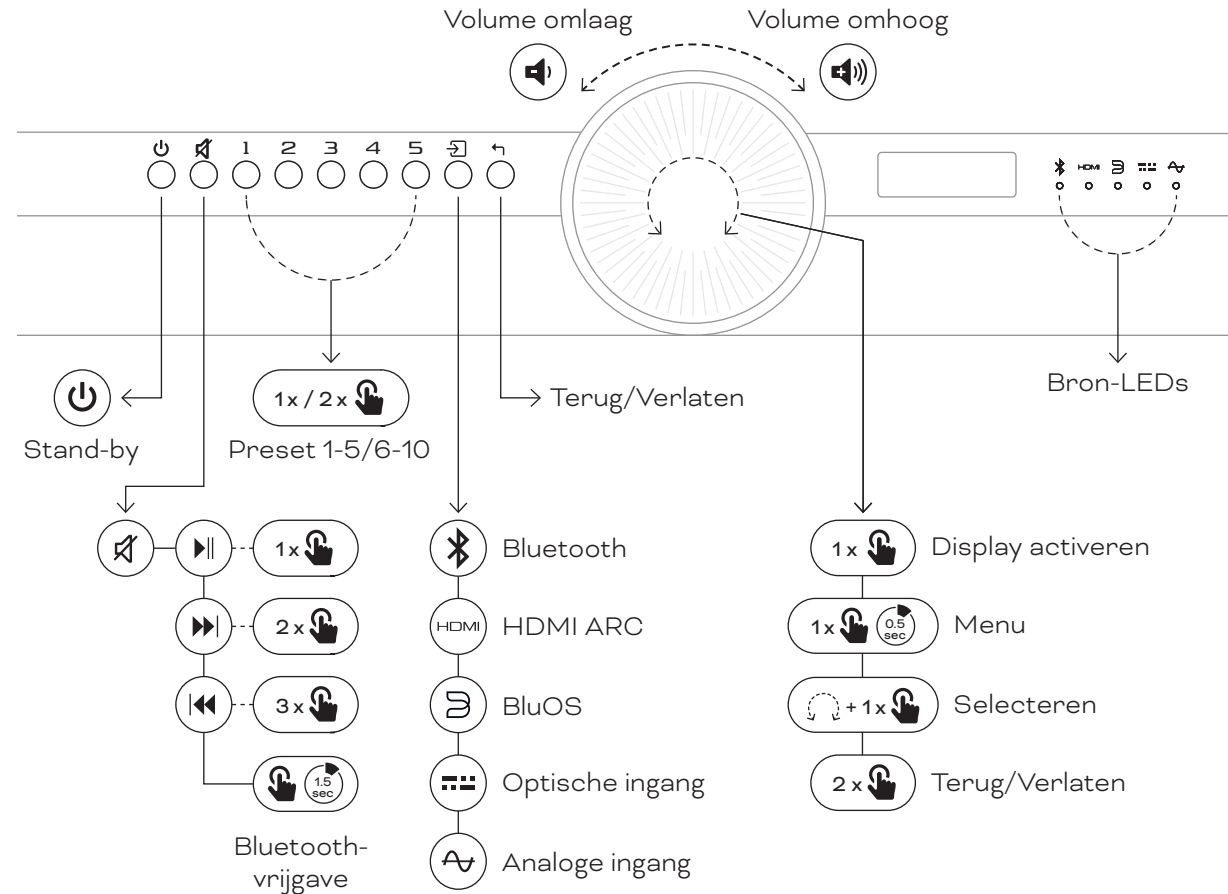
Met de optie **BluOS/WiFi** worden opgeslagen BluOS-presets verwijderd en wordt de wifi-verbinding opnieuw ingesteld. De DALI VEGA keert dan terug naar de BluOS Hotspot-modus, klaar voor een nieuwe wifi-verbinding.

De optie **All** combineert de twee andere resetopties.

10. GEBRUIK VAN UW DALI VEGA

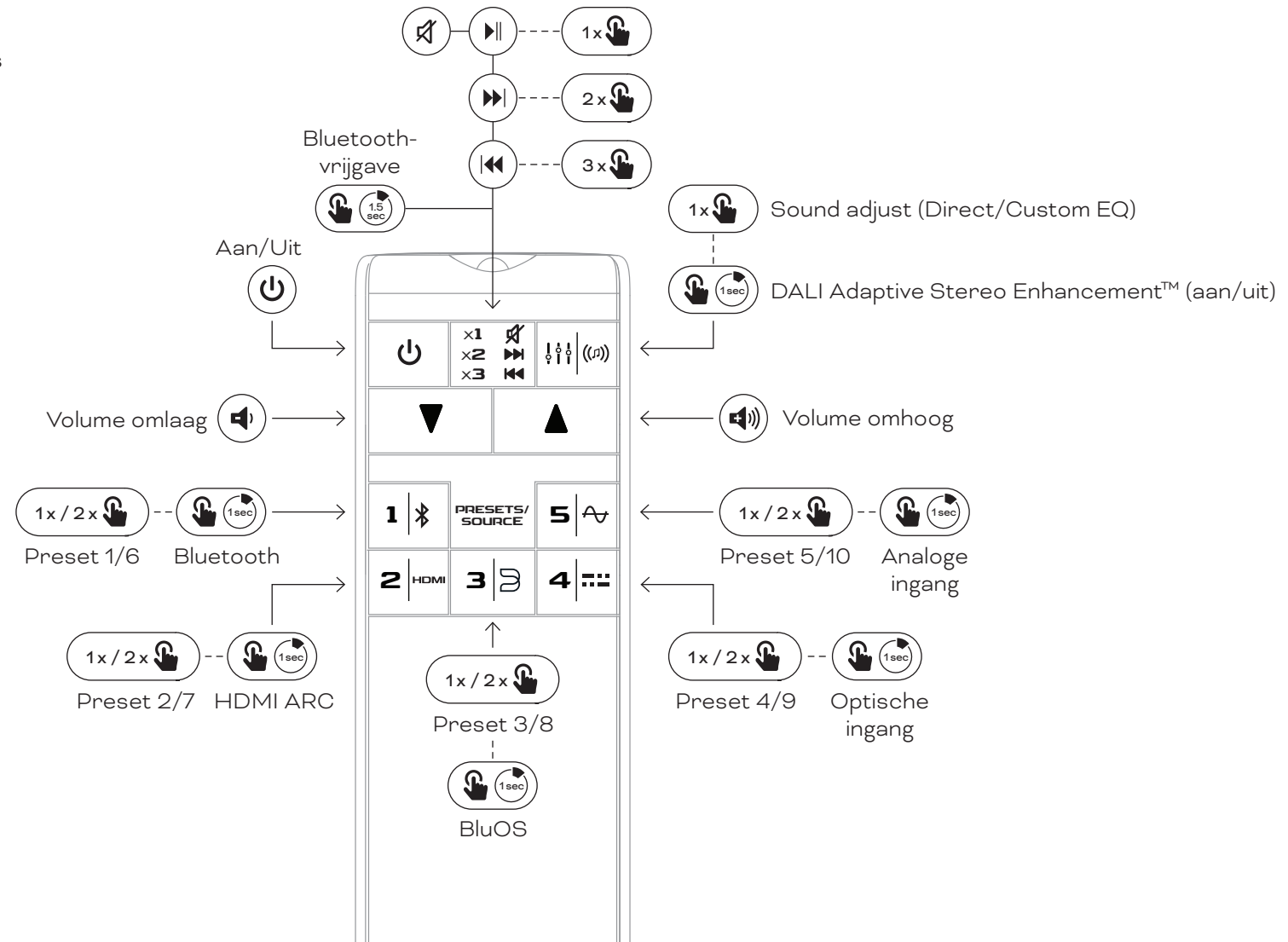
Zodra u uw DALI VEGA op de juiste plek hebt geplaatst, aangesloten en geconfigureerd, kunt u genieten van de prestaties van het apparaat en uw favoriete muziek beluisteren.

U kunt uw DALI VEGA bedienen met behulp van de **knoppen** op de behuizing en **het volumewiel** of met de **afstandsbediening**. De afstandsbediening en de knoppen ervan worden op de volgende pagina geïllustreerd.



10. GEBRUIK VAN UW DALI VEGA

De DALI VEGA afstandsbediening dubbelt de meestgebruikte functies van de DALI VEGA luidspreker.



10. GEBRUIK VAN UW DALI VEGA

DALI VEGA knoppen en volumewiel

Van links naar rechts hebben de DALI VEGA-knoppen de volgende functies:

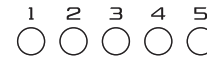
Standby-knop

Druk op de stand-byknop om uw DALI VEGA te activeren of terug in de stand-bymodus te zetten.

! Het stroomverbruik van DALI VEGA in de stand-bymodus bedraagt minder dan 0,5 Watt.

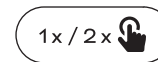
Dempingsknop

Druk op de knop **Dempen** om het geluid te dempen of te herstellen. Als de op dat moment geselecteerde bron afspeelknoppen heeft, kunt u met de knop **Dempen** de functies ervan bedienen: druk één keer voor **Afspelen/Pauzeren**, twee keer voor **Vooruit springen** en drie keer voor **Achteruit springen**. Houd de knop **Mute** ingedrukt om Bluetooth vrij te geven.

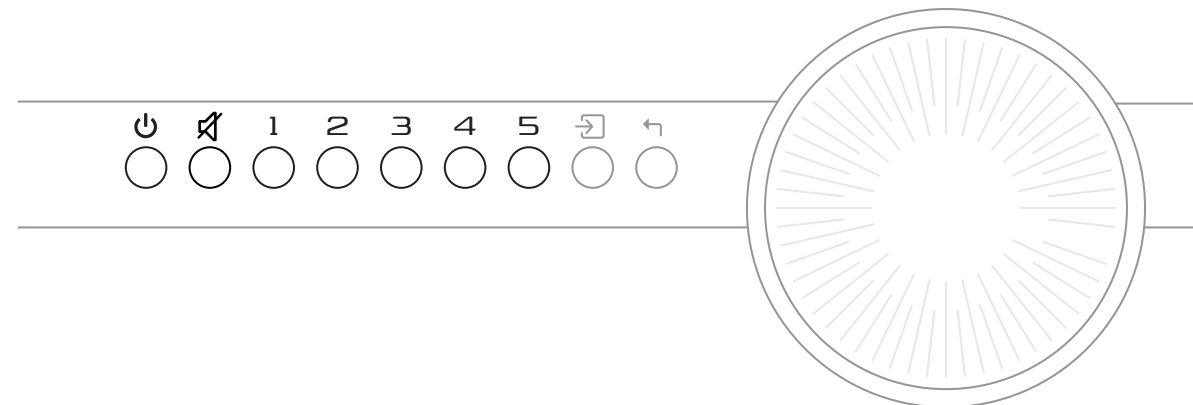


Presetknoppen 1 t/m 10

Met de **Preset**knoppen kunt u direct opgeslagen items selecteren, zoals radiozenders of streamingdiensten.



Met één druk op de knop activeert u presets 1 t/m 5. Bij dubbel drukken worden de voorinstellingen 6 t/m 10 geactiveerd.



10. GEBRUIK VAN UW DALI VEGA

↗ knop Ingangen

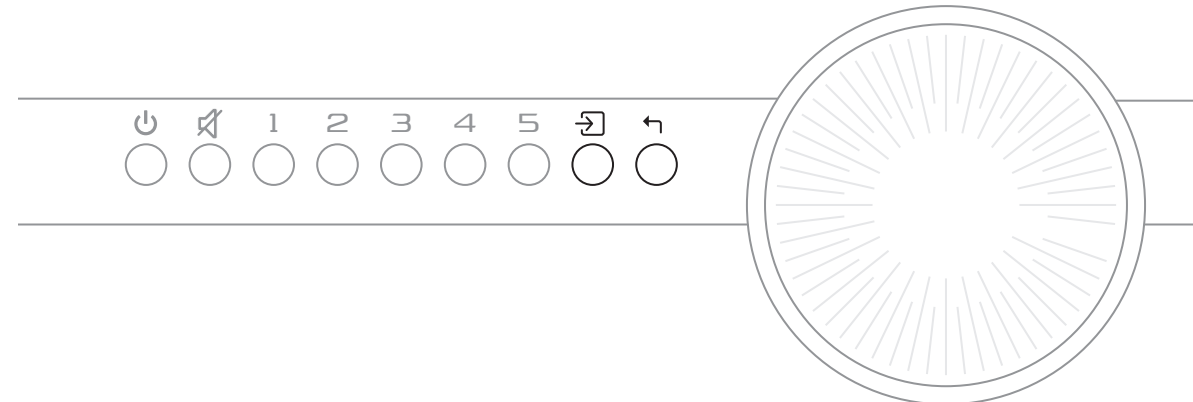
Wanneer u op de knop **Ingangen** drukt, bladert u door de beschikbare DALI VEGA-signaalingangen en selecteert u ze in deze volgorde:

-  Bluetooth
-  HDMI ARC
-  BluOS
-  Optische ingang
-  Analoge ingang

! Wanneer u voor het eerst op de knop ingangen drukt, wordt de huidige signaalbronselectie weergegeven. Bij nogmaals drukken schakelt u over tussen de bronnen.

↶ knop Terug/Verlaten

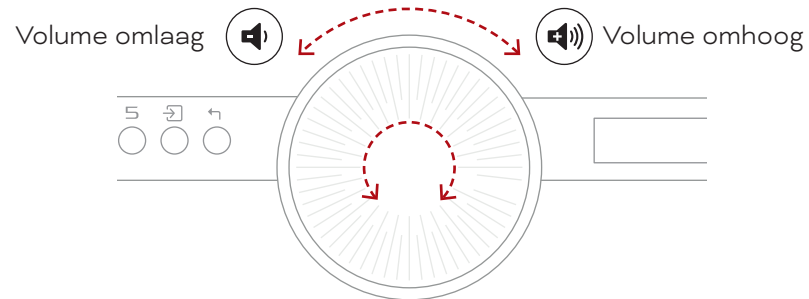
Als u op de knop **Terug/Verlaten** drukt, gaat u terug door de menuniveaus.



10. GEBRUIK VAN UW DALI VEGA

Volumewiel

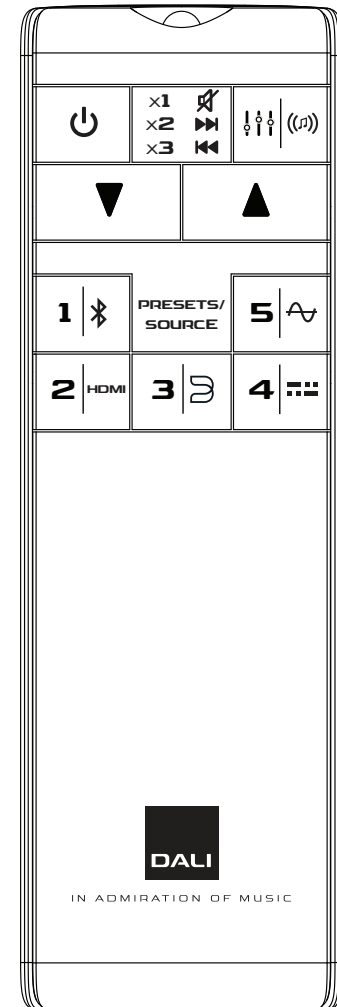
Wanneer uw DALI VEGA is ingeschakeld en niet in de instellingenmenumodus staat, regelt het **volumewiel** het volume. Draai met de klok mee (naar rechts) om het volume te verhogen en tegen de klok in (naar links) om het volume te verlagen.



Afstandsbediening

De DALI VEGA afstandsbediening dubbelt de meestgebruikte functies van de DALI VEGA luidspreker.

De DALI VEGA afstandsbediening en de toetsfuncties worden op pagina 24 geïllustreerd.



11. BLUETOOTH VERBINDING

11.1 Bluetooth koppelen

Om uw Bluetooth-apparaat met de DALI VEGA te verbinden:

1. Schakel de DALI VEGA in.
2. Selecteer de Bluetooth-ingang met de knop Ingangen.
3. De DALI VEGA is nu klaar om te koppelen via Bluetooth.
 - a. Als de Bluetooth-LED knippert, is er op dat moment geen apparaat verbonden.
 - b. Als de Bluetooth-LED continu brandt, is er verbinding met een apparaat. Om het aangesloten apparaat los te koppelen, gebruikt u de Bluetooth-ontkoppelfunctie.
 - c. Er kan slechts één Bluetooth-apparaat tegelijk verbonden zijn.
 - d. Start Bluetooth koppelen op uw apparaat. Zodra het koppeling is voltooid, wordt de muziek afgespeeld vanaf uw Bluetooth-apparaat.

De DALI VEGA maakt automatisch verbinding met het laatst gebruikte apparaat wanneer Bluetooth wordt geselecteerd, maar alleen als dat apparaat eerder aan de DALI VEGA is gekoppeld en binnen bereik is.

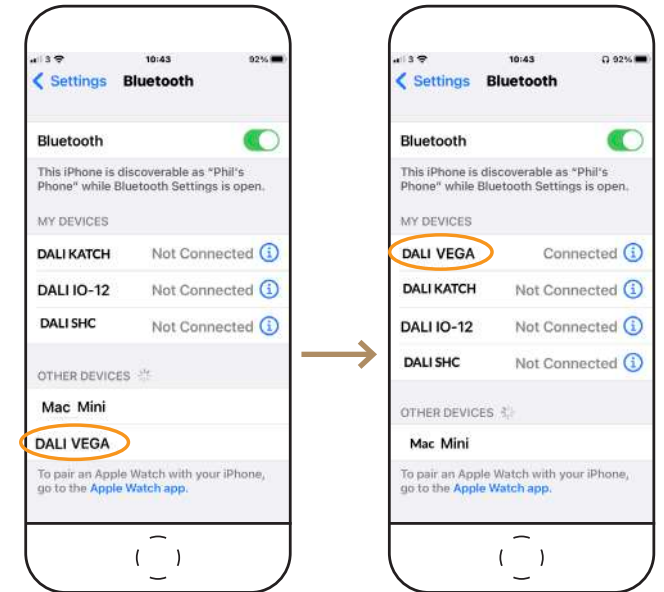
De DALI VEGA start geen automatisch afspelen. Het afspelen moet worden gestart vanaf het aangesloten apparaat of door kort op de Mute-knop op de DALI VEGA of de afstandsbediening te drukken.

11.2 Bluetooth-vrijgave

Als u uw apparaat niet kunt koppelen met de DALI VEGA:

1. Houd de Bluetooth-ontgrendelingsknop (knop dempen) ingedrukt totdat u het Bluetooth ontgrendelingsgeluid hoort en de Bluetooth-LED (LED 1) begint te knipperen.
2. Het verbonden apparaat is nu losgekoppeld en u kunt het koppelen opnieuw starten.
3. U kunt Bluetooth ook activeren via **Input settings** -> **Bluetooth** in het menusysteem.

! Er kunnen maximaal 8 Bluetooth-apparaten met de DALI VEGA worden gekoppeld.



! Als u de naam van de DALI VEGA in de BluOS-app wijzigt, wordt de Bluetooth-naam dienovereenkomstig gewijzigd.

12. VERZORGING EN ONDERSTEUNING

Uw DALI VEGA heeft geen speciale behandeling nodig die verder gaat dan de zorg voor andere waardevolle items in uw huis. Gebruik een zachte, droge doek om de behuizing af te stoffen.

DALI raadt het gebruik van reinigingsvloeistoffen of -sprays af.

13. BLUOS PROBLEEMOPLOSSING

De meerkleurige lichtindicator bij het BluOS-logo geeft ook de BluOS-status van de DALI VEGA aan:

	Indicatielichtcode	Omschrijving
	Continu rood, dan knipperend groen	Opstarten apparaat/opnieuw opstarten apparaat
	Continu groen	Hotspot-modus
	Groen knipperend	Verbinding maken met netwerk
	Wit pulserend	Software-update beschikbaar
	Continu rood	Upgrade-modus
	Afwisselend rood/groen knipperend	Aan het upgraden
	Blauw knipperend	Modus Dempen
	Continu wit	Aan het indexering
	Continu blauw	Verbonden met netwerk – klaar voor gebruik met de BluOS-app
	Rood knipperend	Fabrieksreset bezig
	Continu paars	Hotspot-modus is beëindigd

Zie voor meer informatie de Bluesound ondersteuningspagina:

 [Bluesound ondersteuningspagina](#)

14. FIRMWARE-UPDATES

Bijgewerkte firmware voor uw DALI VEGA kan af en toe beschikbaar worden gesteld via de BluOS-app. Bijgewerkte firmware kan de prestaties en betrouwbaarheid verbeteren of nieuwe functies toevoegen.



15. ENERGIEVERBRUIK

Offline-modus

Houd de standbyknop 5 seconden ingedrukt. Hierdoor worden alle verbindingen uitgeschakeld en het energieverbruik tot een minimum beperkt, totdat VEGA weer wordt geactiveerd door de standbyknop opnieuw in te drukken.

Netwerkstandbymodus

De netwerkstandbymodus wordt automatisch geactiveerd als er gedurende 20 minuten geen audio wordt afgespeeld en er geen gebruikersselecties zijn gemaakt. In deze modus wordt VEGA automatisch geactiveerd door elke gebruikersactie, waaronder ook het starten van muziekweergave op een aangesloten bron.

Wifi uitschakelen

De draadloze netwerkfuncties worden automatisch gedeactiveerd zodra een Ethernetkabel op VEGA wordt aangesloten.

Modus	Energieverbruik	Activering	Deactivering
Actief (geen audio)	9,2 W	(zie "Netwerkstandbymodus")	(zie "Netwerkstandbymodus")
Netwerkstandbymodus (HiNA)	2,9 W	Automatisch na 20 minuten zonder geluid en gebruikershandelingen	Elke gebruikershandeling, waaronder het starten van de weergave
Offline	< 0,7 W	Handmatig, door de standbyknop ingedrukt te houden	Handmatig, door op de standbyknop te drukken

16. DALI VEGA SPECIFICATIES

DALI VEGA	
Frequentiebereik	32 - 22.700 Hz, ±3 dB
Maximum SPL @ 1 m	110 dB
Scheidingsfrequentie	2.400 Hz
Scheidingsfilterprincipe	2-weg, 8-kanaals actieve crossover
Hoge frequentie driver(s)	4 × 25 mm soft dome
Hoogfrequent membraan	Zacht geweven stof
Laag/middenfrequentie driver(s)	4 × 4½-inch
Laag/middenfrequentie membraan	Conus van papier en houtvezels
Type behuizing	Massa-afgestemde behuizing 2 × rechthoekige passieve radiatoren (3 × 6 inch)
Afstemfrequentie van de passieve radiator	32 Hz
Type versterker	Klasse D bruggebonden belasting (BTL)
Continu uitgangsvermogen versterker	8 × 50 W RMS
Totaaluitgangsvermogen versterker	400 W
Ingangsaansluiting(en)	1 × HDMI ARC 1 × Analoge ingang (RCA ongebalanceerd, stereo) 1 × Optische ingang (Toslink, stereo) 1 × USB-audio/service (HDD of USB-station)
Uitgangsaansluiting(en)	Sub uit USB-voeding (5 V/1 A)
Sub uit laagdoorlaatfilter	120 Hz
Digitale invoerindelingen	PCM, stereo

DALI VEGA	
Draadloze ingang(en)	Bluetooth BluOS Spotify Connect Tidal Connect Apple AirPlay 2
Bluetooth ingangscodes	AAC aptX aptX HD
BluOS ingangscodes	MP3 AAC (M4A, MP4) WMA OGG FLAC ALAC (M4A) WMA-L MQA WAV AIFF (AIF, AIFC) PCM DSD256 (DSD naar PCM-conversie)
Ondersteunde audio-indelingen	16 - 24-bits audio 32 / 44,1 / 48 / 96 / 192 kHz samplingfrequentie
Aanbevolen plaatsing	Staand: Vrije ruimte Staand: Dichtbij de wand Staand: Dichtbij hoek/wand Aan de wand: Liggend Aan de wand: Rechtopstaand

Wordt vervolgd op de volgende pagina

16. DALI VEGA SPECIFICATIES

DALI VEGA

Functies	Adaptive Orientation Adjustment (Adaptieve oriëntatieaanpassing) DALI Adaptive Stereo Enhancement Tot 40 programmeerbare presets Sound adjust (Direct/Custom EQ) Afstand tot achterwand Bluetooth-vrijgave/wissen HDMI audiovertraging Detectie van optisch signaal/draaggolf Input sense (ingangsdetectie) LED setting (LED-instelling) Fabrieksreset Stand-by (automatisch inschakelen) Dempen Inschakelen/uitschakelen Volume Bron selecteren
Maximaal energieverbruik	250 W
Energieverbruik in stand-by	≤ 3 W
Afmetingen (H × B × D)	143 x 683 x 243 mm 5,63 x 26,90 x 9,57 inch
Afmetingen bij vervoer (H × B × D)	330 x 870 x 200 mm 13,0 x 34,25 x 7,87 inch
Gewicht	8,7 kg 19,18 lb
Verzendgewicht	13,3 kg 29,32 lb
Afwerking	Dark Oak Natural Oak

DALI VEGA

Meegeleverde accessoires	1 x Afstandsbediening 2 x AAA-batterijen (voor afstandsbediening) 2 x wandbeugels (wand) 2 x wandbeugels (VEGA) 2 x schroeven voor VEGA-wandbeugels 1 x M6 inbussleutel 1 x kabelhouder 1 x netsnoer 1 x productregistratiekaart 1 x snelstartgids 2 x wandmontagesjabloon 1 x veiligheidshandleiding
--------------------------	--

Alle technische specificaties kunnen zonder voorafgaande kennisgeving worden gewijzigd.

Juridische mededelingen

De volgende termen zijn (gedeponeerde) handelsmerken van hun betreffende eigenaren:

Bluetooth®	Bluetooth SIG, Inc.
BluOS™	Bluesound International, a division of Lenbrook Industries Limited
HDMI®	HDMI Licensing Administrator, Inc.
Wi-Fi®	Wi-Fi Alliance

DALI VEGA

PODRĘCZNIK

WERSJA 1.0 – MARZEC 2026
POLSKI



DALI



ZAWARTOŚĆ ZESTAWU

1.	Wprowadzenie.....	276
2.	Zawartość opakowania	277
3.	Rozpakowywanie.....	278
4.	Połączenie z siecią Wi-Fi i konfiguracja BluOS ...	279
5.	Ustawianie głośnika DALI VEGA	280
6.	Zarządzanie okablowaniem	282
7.	Montaż ścienny urządzenia DALI VEGA	283
8.	Połączenia przewodowe	288
9.	Konfiguracja DALI VEGA.....	291
10.	Użytkowanie DALI VEGA.....	297
11.	Łączność Bluetooth	302
12.	Pielęgnacja i wsparcie	303
13.	Rozwiązywanie problemów BluOS	303
14.	Aktualizacje oprogramowania układowego.....	304
15.	Pobór mocy.....	305
16.	Dane techniczne głośnika DALI VEGA	306

1. WPROWADZENIE

Gratulujemy zakupu nowego urządzenia DALI VEGA. DALI VEGA to najnowocześniejszy i kompleksowy system dźwiękowy zaprojektowany, aby wyznaczać nowe standardy jakości dźwięku i stylu wśród jednoczesnych urządzeń domowych. DALI VEGA łączy rewelacyjną jakość dźwięku z niesamowitą wszechstronnością, intuicyjną i łatwą eksploatacją, jak również z wyjątkowo angażującym i luksusowym wzornictwem prosto z Danii.

Niniejsza instrukcja obsługi opisuje konfigurację i obsługę głośnika DALI VEGA.

Przed rozpoczęciem konfiguracji i użytkowania systemu DALI VEGA zalecamy przeczytanie niniejszej instrukcji obsługi.

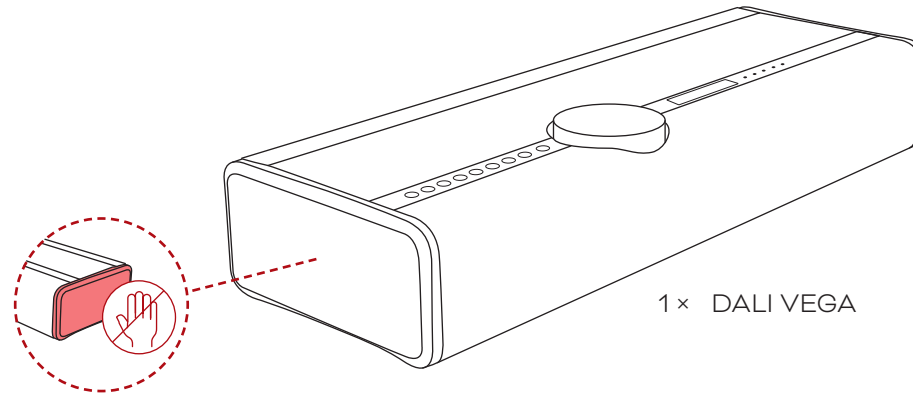
Instrukcja ta rozpoczyna się od opisu zawartości opakowania głośnika DALI VEGA, a następnie zawiera omówienie ustawienia, połączeń, konfiguracji i codziennego użytkowania DALI VEGA.



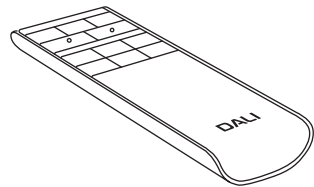
2. ZAWARTOŚĆ OPAKOWANIA

Zawartość opakowania systemu DALI VEGA przedstawiono poniżej.

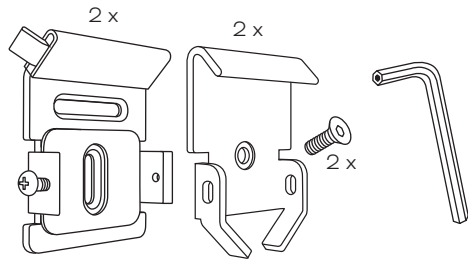
! Nie należy dotykać przetworników z membranami biernymi, które znajdują się na obu końcach głośnika DALI VEGA.



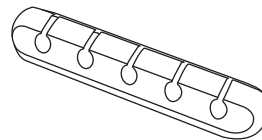
1 × DALI VEGA



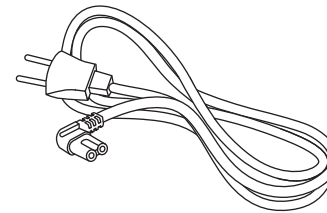
1 × Pilot zdalnego sterowania
2 × Baterie AAA (do pilota)



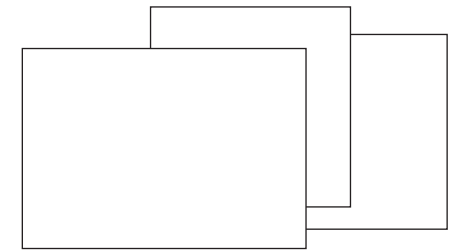
2 × Wsporniki ścienne (do ściany)
2 × Wsporniki ścienne (do systemu VEGA)
2 × Śruby do wsporników ściennych VEGA
1 × Klucz imbusowy M6



1 × Uchwyt na kabel

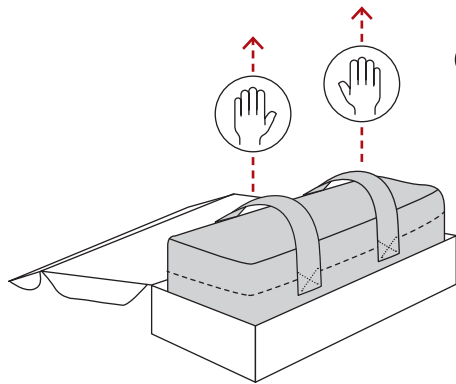


1 × Kabel sieciowy

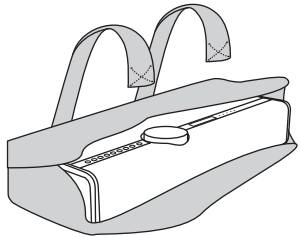


1 × Karta rejestracyjna produktu
1 × Skrócona instrukcja obsługi
2 × Szablon do montażu ściennego
1 × Instrukcja bezpieczeństwa

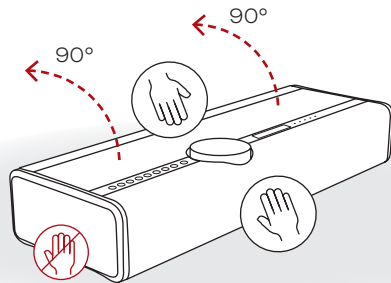
3. ROZPAKOWYWANIE



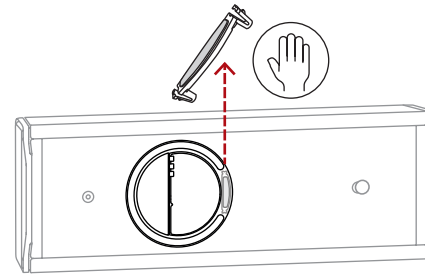
- 1** Otwórz pokrywę pudełka i użyj obu pasków, aby wyciągnąć z niego głośnik VEGA.



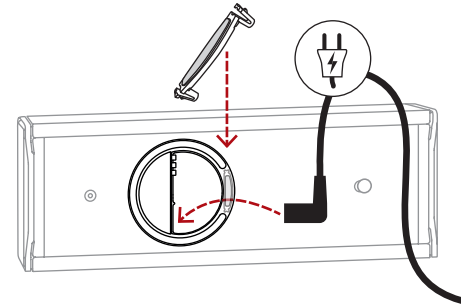
- 2** Odepnij paski na rzepy i zdejmij pokrywę.



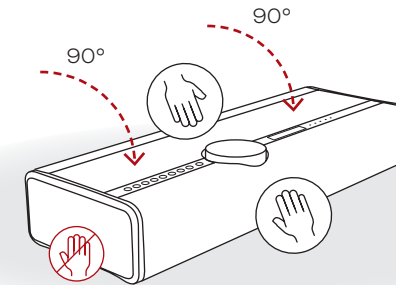
- 3** Przechył głośnik VEGA o 90 stopni tak, aby znalazł się na tylnej stronie. Otwórz i wyjmij zacisk kablowy.



- 4** Podłącz kabel zasilający oraz wszystkie dodatkowe kable.



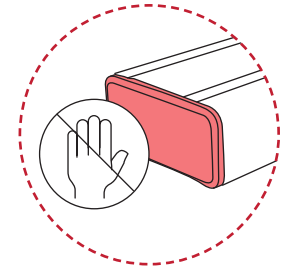
- 5** Zamocuj zacisk kablowy, a następnie odwróć głośnik VEGA tak, aby znalazł się na stopkach.



- 6** Głośnik VEGA jest teraz gotowy do połączenia z siecią Wi-Fi.

! WAŻNE!

W trakcie rozpakowywania nie wolno dotykać membran biernych.



4. POŁĄCZENIE Z SIECIĄ WI-FI I KONFIGURACJA BLUOS

1 Włącz głośnik DALI VEGA

Poczekaj, aż dioda LED BluOS zaświeci się stałym zielonym światłem, wskazując tryb „Punktu dostępowego“.

2 Pobierz aplikację BluOS

Pobierz i otwórz aplikację BluOS za pomocą smartfonu lub tabletu.



3 Dodaj głośnik DALI VEGA do swojej sieci

Kreator „Rozpocznij“ poprowadzi cię przez kroki niezbędne do ukończenia konfiguracji BluOS.



Przejdź na stronę bluesound.com/downloads, aby pobrać aplikację. Początkową konfigurację sieci można wykonać za pomocą aplikacji BluOS na smartfonie lub tablecie. Na początek upewnij się, że masz pobraną i zainstalowaną aplikację, a smartfon lub tablet jest w pobliżu.

! Jeśli korzystasz z urządzenia z systemem iOS, możesz połączyć głośnik DALI VEGA z siecią Wi-Fi za pośrednictwem opcji „Skonfiguruj nowy głośnik AirPlay“, która znajduje się w ustawieniach Wi-Fi systemu iOS.



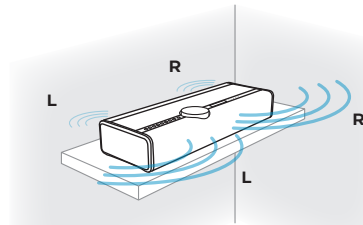
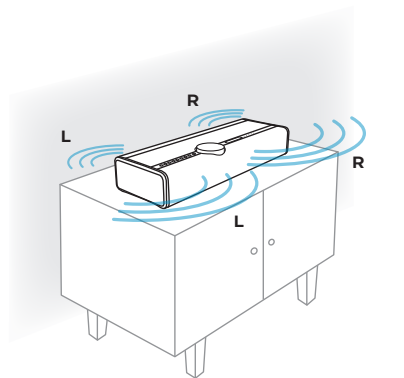
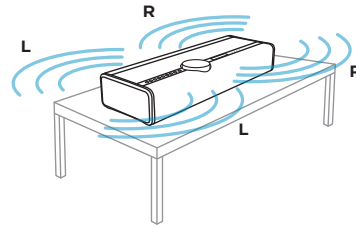
! Jeśli gniazdo LAN (sieciowe) głośnika DALI VEGA jest podłączone do domowego routera lub przełącznika sieciowego, połączenie Wi-Fi nie będzie konieczne. Twój głośnik DALI VEGA będzie dostępny do konfiguracji w aplikacji BluOS Controller.

→ [Strona wsparcia Bluesound](#)

5. USTAWIANIE GŁOŚNIKA DALI VEGA

DALI VEGA oferuje doskonałą wszechstronność, która sprawia, że idealnie nadaje się do montażu w różnych miejscach w domu. Przykładowo urządzenie to można umieścić na stole, na meblu, na półce lub parapecie. DALI VEGA można również zamontować na ścianie w orientacji poziomej lub pionowej. Służą do tego opcjonalne wsporniki ściennie DALI VEGA. W kwestii ustawienia urządzenia DALI VEGA jedynym wymogiem jest dostęp do gniazda zasilania i routera lub przełącznika sieciowego, jeśli wolisz korzystać z połączenia przewodowego.

W zależności od ustawienia DALI VEGA urządzenie automatycznie, i odpowiednio do sytuacji, dostosuje przełączanie sygnału stereo na przednie i tylne głośniki, aby dopasować się do stojącego, poziomego lub pionowego ustawienia. Ustawienie wyświetlacza również obróci się automatycznie.



1 Ustawienie stojące: wolnostojący

DALI VEGA odtwarza dźwięk w obu kierunkach: do przodu i do tyłu.

Zalecana odległość od ściany z tyłu: **dowolna**.

2 Ustawienie stojące: blisko ściany

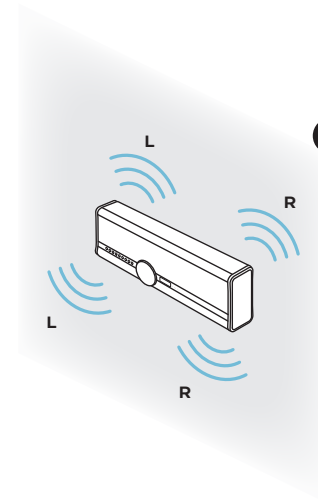
DALI VEGA odtwarza dźwięk z większą mocą do przodu niż do tyłu.

Zalecana odległość od ściany z tyłu: **średnia**.

3 Ustawienie stojące: blisko narożnika/ściany

W tym trybie urządzenie DALI VEGA odtwarza dźwięk jeszcze słabiej do tyłu.

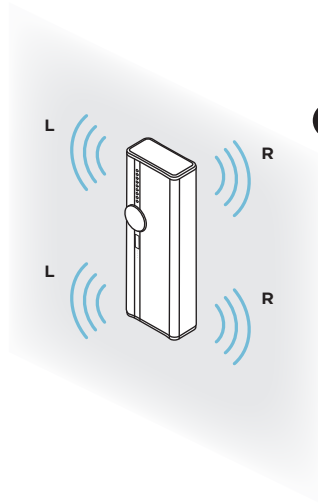
Zalecana odległość od ściany z tyłu: **mała**.



4 Ustawienie na ścianie: ustawienie poziome

DALI VEGA odtwarza dźwięk w obu kierunkach.

Odległość od ściany z tyłu jest ustawiana automatycznie.



5 Ustawienie na ścianie: ustawienie pionowe

DALI VEGA odtwarza dźwięk w obu kierunkach. Przednie przetworniki odtwarzają lewy kanał, a tylne przetworniki prawy kanał.

Odległość od ściany z tyłu jest ustawiana automatycznie.

5. USTAWIANIE GŁOŚNIKA DALI VEGA

Adaptive Orientation Adjustment (Adaptacyjna regulacja ustawienia)

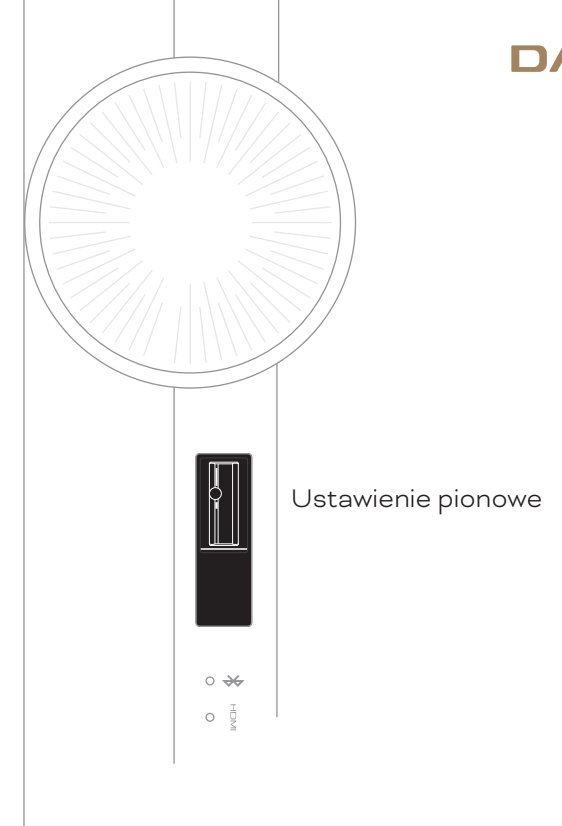
Urządzenie DALI VEGA zaprojektowano z wykorzystaniem technologii Adaptive Orientation Adjustment, która została opracowana przez wewnętrznych inżynierów firmy DALI. Adaptive Orientation Adjustment pozwala na bezproblemową integrację głośnika DALI VEGA w dowolnej przestrzeni mieszkalnej, bez względu na miejsce montażu.

Dzięki wbudowanemu czujnikowi orientacji VEGA w inteligentny sposób wykrywa ustawienie montażowe, czy to jest ustawienie w pozycji stojącej na półce lub stole, czy urządzenie jest zamontowane poziomo lub pionowo na ścianie. Co więcej, urządzenie automatycznie

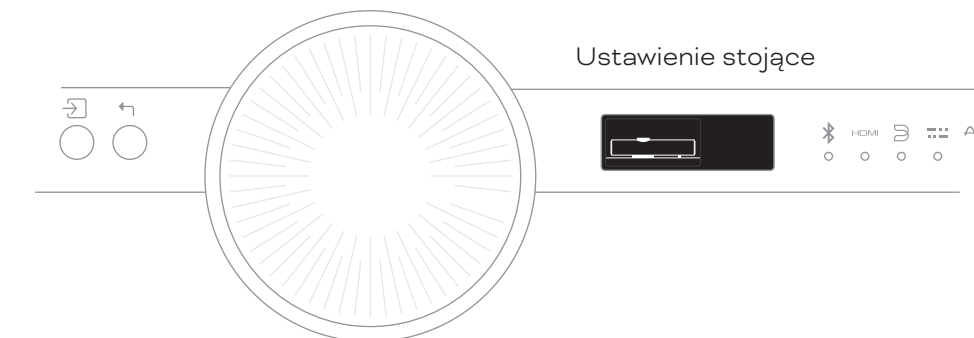
wykonuje ponowną konfigurację mapowania kanału stereo, aby zapewnić optymalną jakość dźwięku. Regulacja w czasie rzeczywistym poprawia precyzję przestrzenną i obrazowanie stereo, zapewniając niezmiennie immersyjne wrażenia z odsłuchu, bez względu na ustawienie..

Adaptive Orientation Adjustment to kluczowy komponent filozofii konstrukcyjnej umożliwiającej dostosowanie się głośnika VEGA do otoczenia, która umożliwia adaptację akustyczną do preferencji użytkownika i poprawienie wydajności muzycznej dzięki precyzji i klarowności.

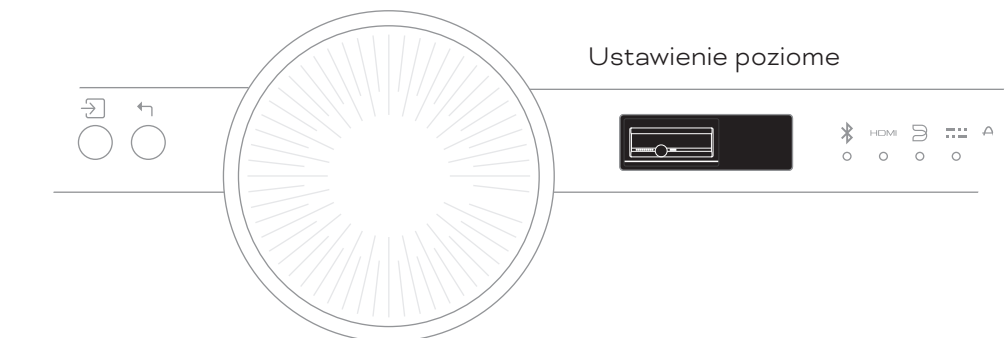
Po umieszczeniu urządzenia VEGA w żądanym miejscu wyświetlacz VEGA wskaże tryb aktywowania Adaptive Orientation Adjustment za pomocą jednego z trzech logo.



Ustawienie pionowe



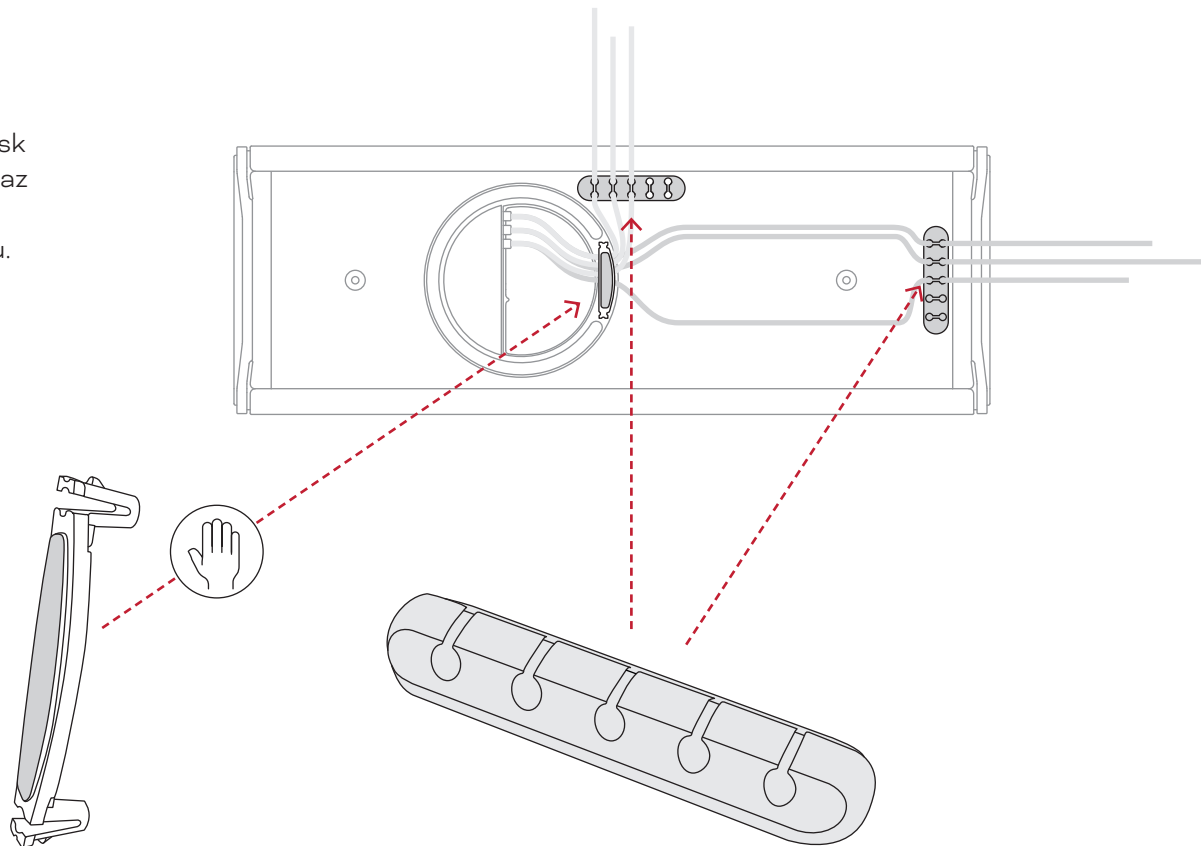
Ustawienie stojące



Ustawienie poziome

6. ZARZĄDZANIE OKABLOWANIEM

Na tylnej części obudowy urządzenia VEGA znajduje się zacisk kablowy, który można otworzyć palcami na obu końcach. Wraz z dostarczonym uchwytem kablowym funkcja ta umożliwia łatwe zarządzanie kablami w dowolnym ustawieniu i położeniu.



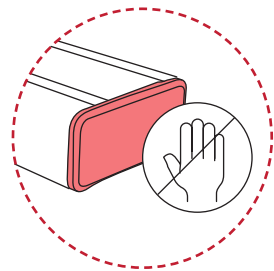
7. MONTAŻ ŚCIENNY URZĄDZENIA DALI VEGA

W celu zamontowania urządzenia DALI VEGA na ścianie w położeniu poziomym lub pionowym, użyj czterech dołączonych wsporników ściennych.

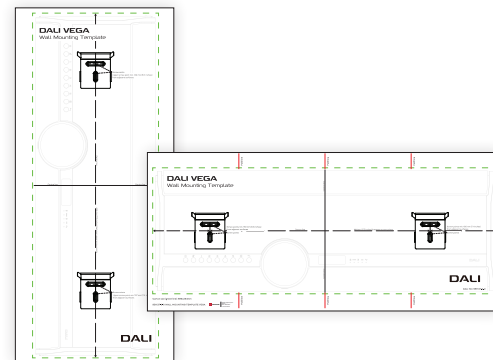
Za pomocą klucza imbusowego M6 na tylnej części urządzenia DALI VEGA zamontuj dwa wsporniki ścienne, używając dołączonych wsporników ściennych.

Dwa pozostałe wsporniki ścienne zamontuj na ścianie, używając do tego czterech odpowiednich śrub (brak w zestawie).

Postępuj zgodnie z instrukcjami znajdującymi się na kolejnych stronach.



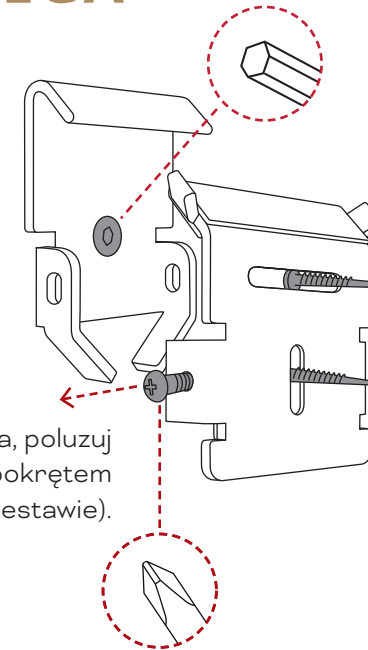
! W trakcie montażu nie wolno dotykać membran biernych.



Wsporniki przeznaczone do urządzenia DALI VEGA montuje się za pomocą jednej śruby (w zestawie).

Użyj klucza imbusowego M6, aby zamocować wsporniki na swoich miejscach.

Przed zamontowaniem głośnika, poluzuj śrubę/śruby zabezpieczające śrubokrętem krzyżakowym (brak w zestawie).



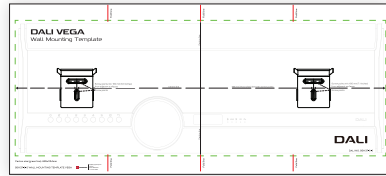
Wspornik ścienne montowane są za pomocą dwóch śrub przeznaczonych do danego rodzaju ściany (brak w zestawie).

! Użyj dołączonych **Szablonów do montażu ściennego**, aby bez problemów określić rozmieszczenie wsporników ściennych.

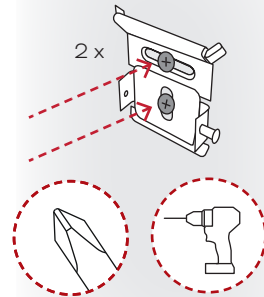
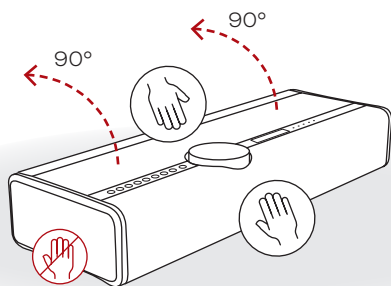
Do głośnika dołączono dwa **Szablony do montażu ściennego**: jeden jest przeznaczony do ustawienia poziomego, a drugi do pionowego.

7. MONTAŻ ŚCIENNY URZĄDZENIA DALI VEGA

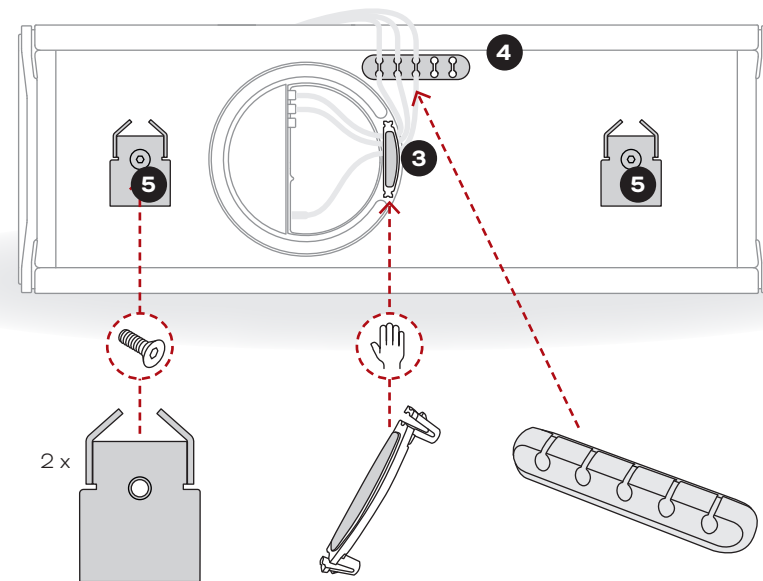
Ustawienie poziome (1/2)



- 1 Użyj dołączonego szablonu do poziomego montażu ściennego, aby zaznaczyć 2 x 2 otwory do wywiercenia, a następnie zamontuj dwa wsporniki na ścianie.
- 2 Przechył głośnik VEGA o 90 stopni tak, aby znalazł się na tylnej stronie.



! NIE umieszczaj głośnika VEGA na przedniej lub górnej powierzchni, ponieważ możesz przypadkowo zarysować pokrętko głośności.

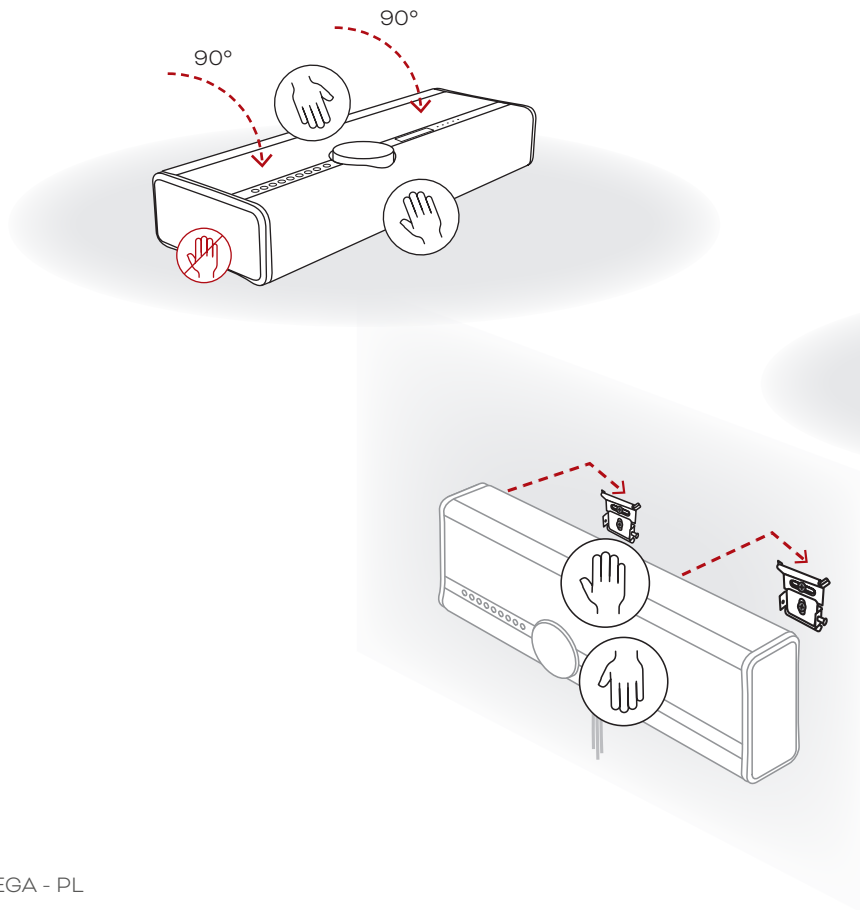


- 3 Zamontuj wsporniki ścienne w ustawieniu poziomym.
- 4 Umieść samoprzylepny uchwyt na kabel i przeprowadź przez niego kable.
- 5 Zdejmij zacisk kablowy, podłącz kable i ponownie załóż zacisk kablowy.

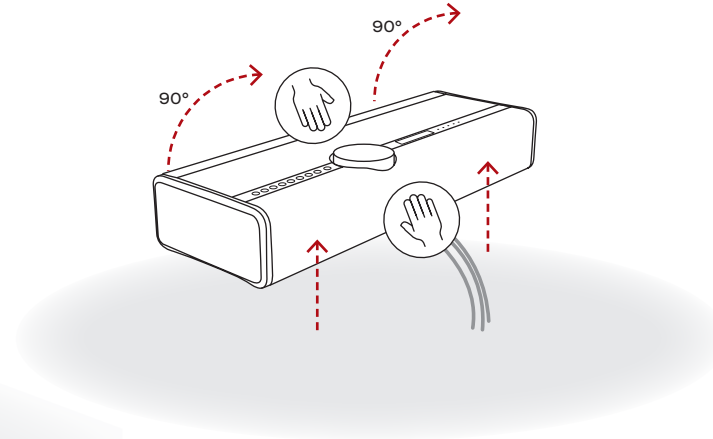
7. MONTAŻ ŚCIENNY URZĄDZENIA DALI VEGA

Ustawienie poziome (2/2)

- 6** Ustaw głośnik VEGA ponownie na nóżkach.

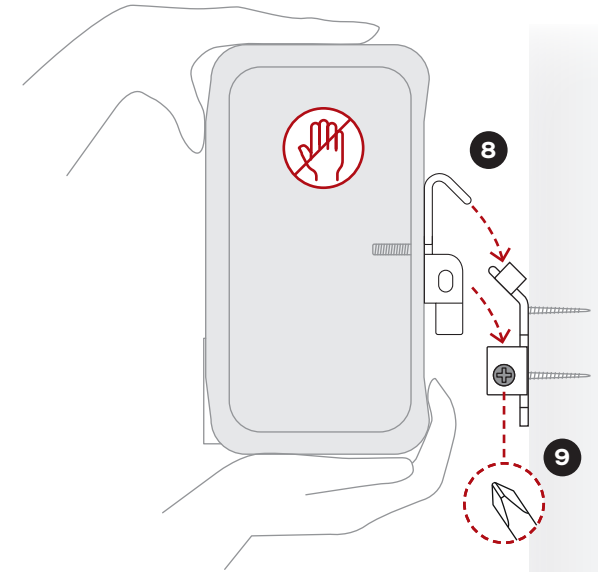


- 7** Podnieś głośnik VEGA i obróć jego spód do ściany (wraz ze wspornikami ściennymi).



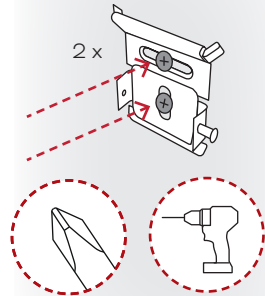
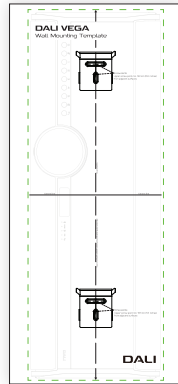
- 8** Ostrożnie podnieś głośnik VEGA na miejsce i zamocuj do wsporników.

- 9** Za pomocą śrubokręta krzyżakowego dokręć śruby zabezpieczające.



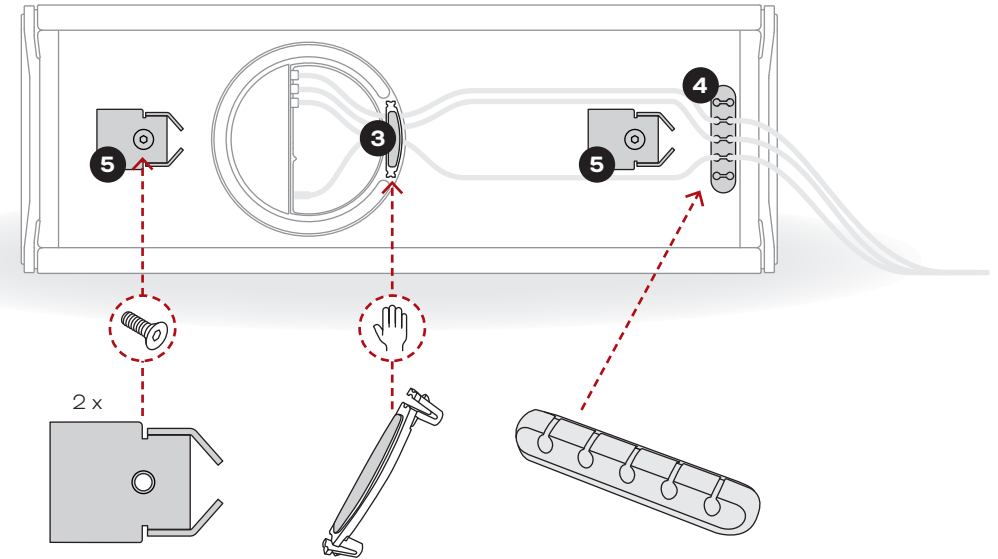
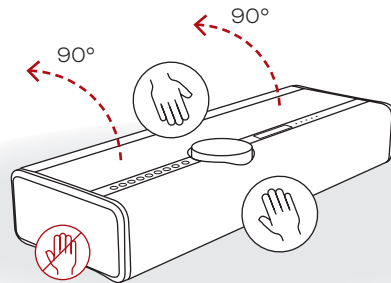
7. MONTAŻ ŚCIENNY URZĄDZENIA DALI VEGA

Ustawienie pionowe (1/2)



- 1 Użyj dołączonego szablonu do pionowego montażu ściennego, aby zaznaczyć 2 x 2 otwory do wywiercenia, a następnie zamontuj dwa wsporniki na ścianie.

- 2 Przechyl głośnik VEGA o 90 stopni tak, aby znalazł się na tylnej stronie.

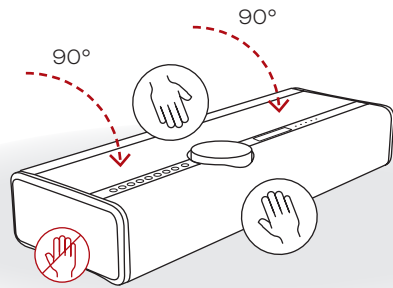


- 3 Zdejmij zacisk kablowy, podłącz kable i ponownie załóż zacisk kablowy.
- 4 Umieść samoprzylepny uchwyt na kabel i przeprowadź przez niego kable.
- 5 Zamontuj wsporniki ścienne w ustawieniu pionowym.

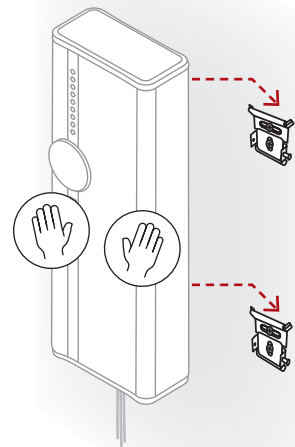
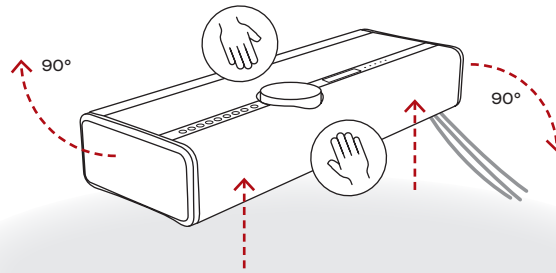
7. MONTAŻ ŚCIENNY URZĄDZENIA DALI VEGA

Ustawienie pionowe (2/2)

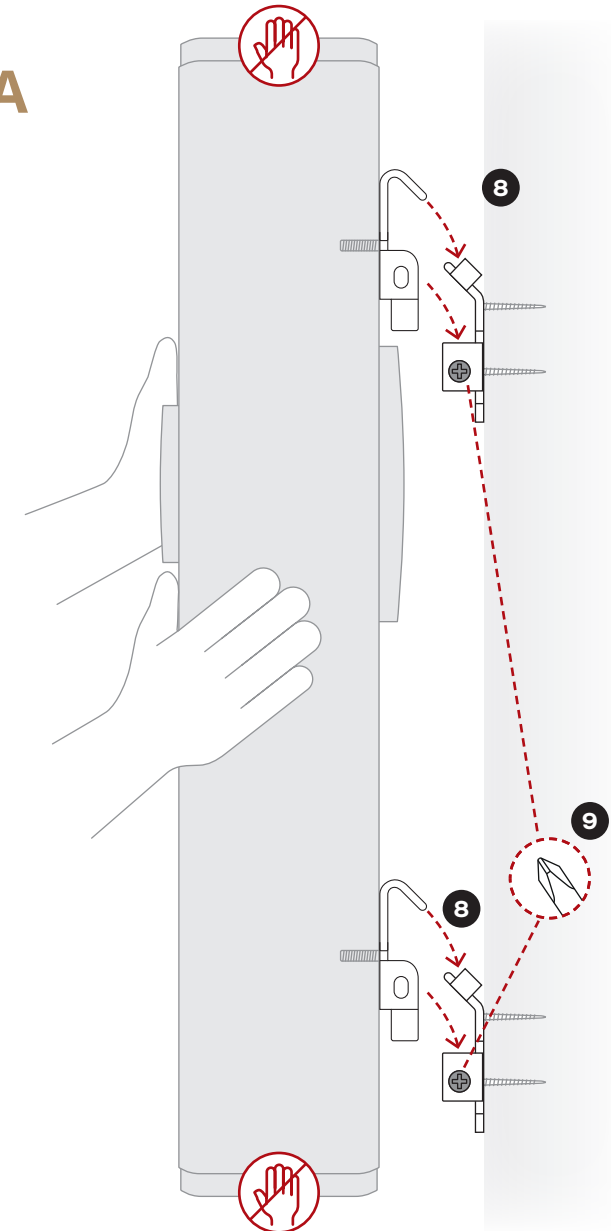
- 6** Ustaw głośnik VEGA ponownie na nóżkach.



- 7** Podnieś głośnik VEGA, obróć jego spód (ze wspornikami ściennymi) do ściany i obróć w prawo do ustawienia pionowego.



- 8** Ostrożnie podnieś głośnik VEGA na miejsce i zamocuj do wsporników.
- 9** Za pomocą śrubokręta krzyżakowego dokręć śruby zabezpieczające.



8. POŁĄCZENIA PRZEWODOWE

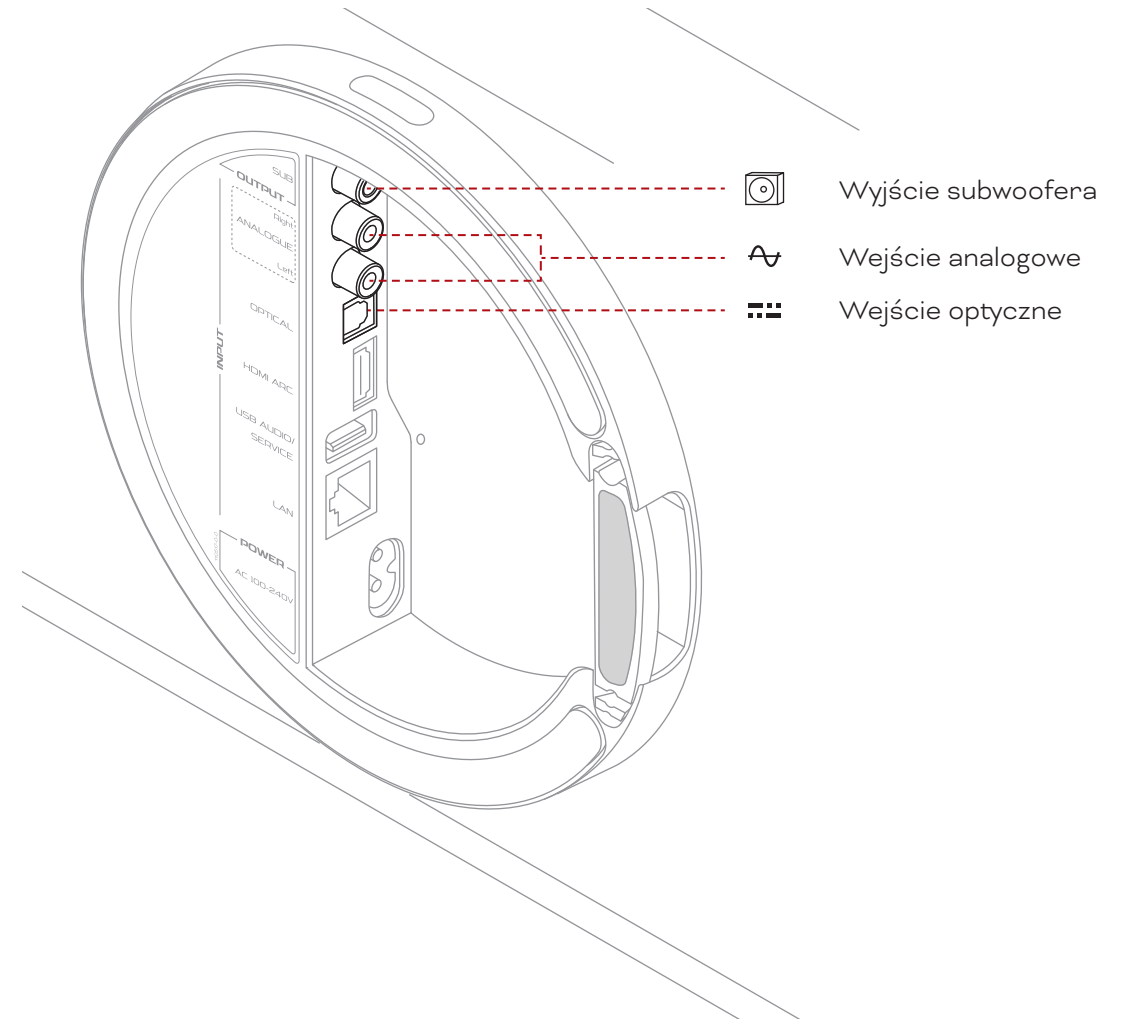
Głośnik DALI VEGA zapewnia wiele opcji połączenia, które umożliwiają integrację z domowym systemem audio.

Gniazda połączeń przewodowych znajdują się na panelu połączeń i obejmują następujące opcje:

Wyjście subwoofera: Jest to pojedyncze gniazdo RCA Phono, które umożliwia podłączenie zewnętrznego subwoofera, aby poprawić wydajność niskich tonów głośnika DALI VEGA. Sygnał wyjściowy subwoofera to sygnał mono z filtrem dolnoprzepustowym ustawionym na 120 Hz.

Wejście analogowe: Para stereofonicznych gniazd RCA Phono umożliwia połączenie zewnętrznego źródła dźwięku za pośrednictwem wyjść liniowych. Może to być odtwarzacz CD lub gramofon z wbudowaną korekcją RIAA.

Wejście optyczne: Gniazdo optyczne sygnału cyfrowego audio TOSLINK umożliwia podłączenie zewnętrznego źródła dźwięku za pomocą cyfrowego wyjścia optycznego. Na przykład może to być telewizor lub odtwarzacz CD.



8. POŁĄCZENIA PRZEWODOWE

HDMI ARC: Jeśli masz telewizor ze złączem HDMI ARC (Audio Return Channel), podłącz go do złącza HDMI ARC głośnika DALI VEGA. Może być również konieczne wybranie zewnętrznych głośników do odtwarzania dźwięku oraz włączenie opcji CEC (Consumer Electronics Control) w menu ustawień telewizora. Format wyjściowy dźwięku telewizora należy ustawić na „PCM“ lub „Stereo“.

Dzięki HDMI lub CEC możesz używać pilota telewizora do sterowania funkcjami regulacji głośności, wyciszania i trybu czuwania głośnika DALI VEGA.

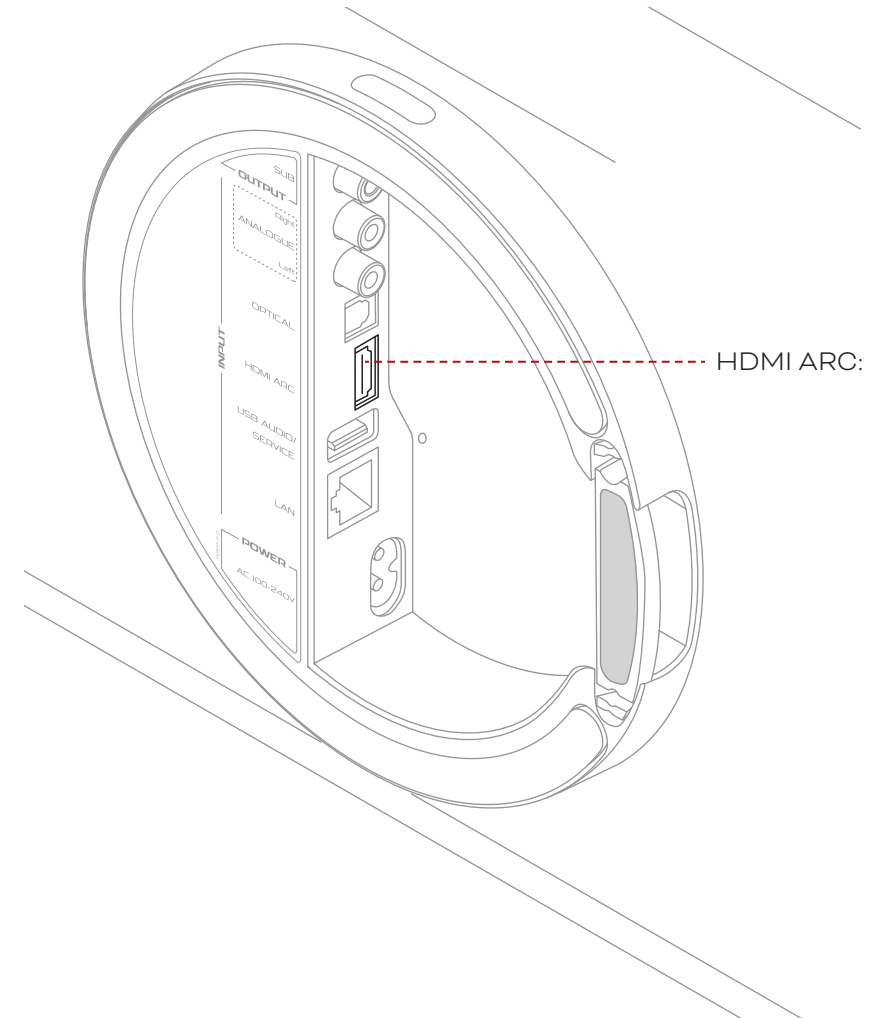
! Jeśli posiadany telewizor nie obsługuje HDMI ARC lub masz problemy z kompatybilnością HDMI, firma DALI zaleca wykorzystanie połączenia optycznego pomiędzy wyjściem optycznym telewizora a głośnikiem DALI VEGA.

W takim przypadku możesz nadal korzystać z połączenia HDMI, aby sterować głośnikiem DALI VEGA przez CEC, używając do tego pilota telewizora.

Aby używać pilota telewizora do sterowania podstawowymi funkcjami głośnika DALI VEGA (głośność, wyciszenie, włączanie/wyłączanie zasilania) za pośrednictwem HDMI, w telewizorze należy włączyć funkcję HDMI CEC.

W zależności od marki telewizora HDMI CEC może mieć różne nazwy:

- Samsung: Anynet+
- LG: SimpLink
- Sony: Bravia Sync
- Phillips: EasyLink
- Panasonic: Viera Link
- Hitachi: HDMI-CEC



8. POŁĄCZENIA PRZEWODOWE

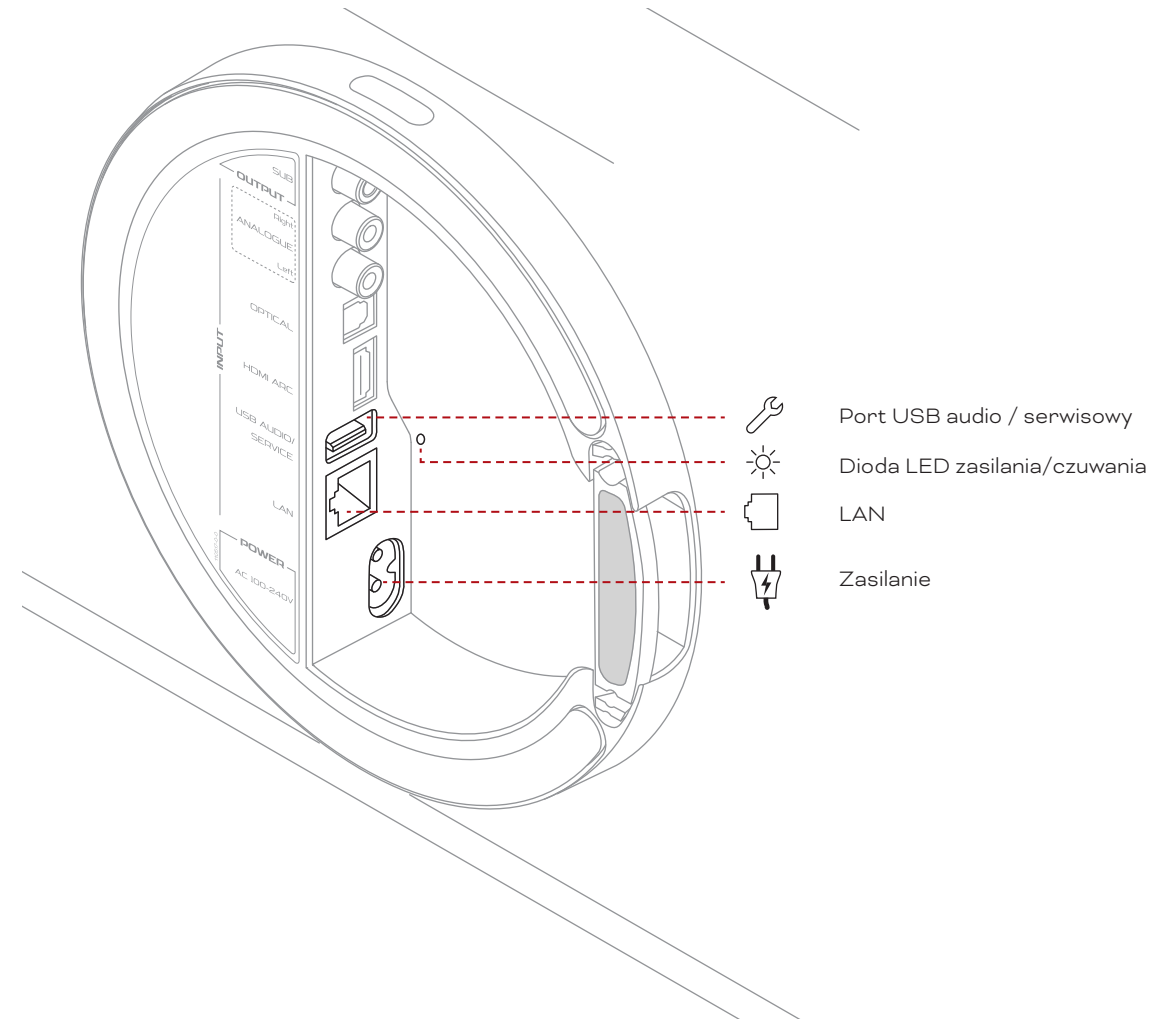
Audio USB / Usługa: Gniazdo USB głośnika DALI VEGA ma dwie funkcje. Pierwsza z nich umożliwia przechowywanie plików z muzyką na nośnikach USB, takich jak dyski twarde lub przenośne pamięci, które następnie można odtwarzać na głośniku DALI VEGA i udostępnić za pośrednictwem BluOS w domowej sieci, do której podłączono DALI VEGA. Druga funkcja gniazda USB DALI VEGA umożliwia aktualizacje oprogramowania i uzyskanie dostępu do funkcji usług.

➔ [Rozpoczynanie użytkowania BluOS](#)

Dioda LED zasilania/czuwania: Dioda LED zasilania/czuwania wskazuje stan zasilania głośnika DALI VEGA.

LAN (sieć): Gniazdo sieciowe głośnika DALI VEGA umożliwia dostęp do funkcji strumieniowego przesyłania muzyki aplikacji BluOS za pośrednictwem przewodowego połączenia sieciowego. Jeśli głośnik DALI VEGA będzie korzystał z połączenia sieci przewodowej, podłącz gniazdo sieciowe z routerem lub przełącznikiem sieci domowej, używając do tego normalnego kabla sieciowego.

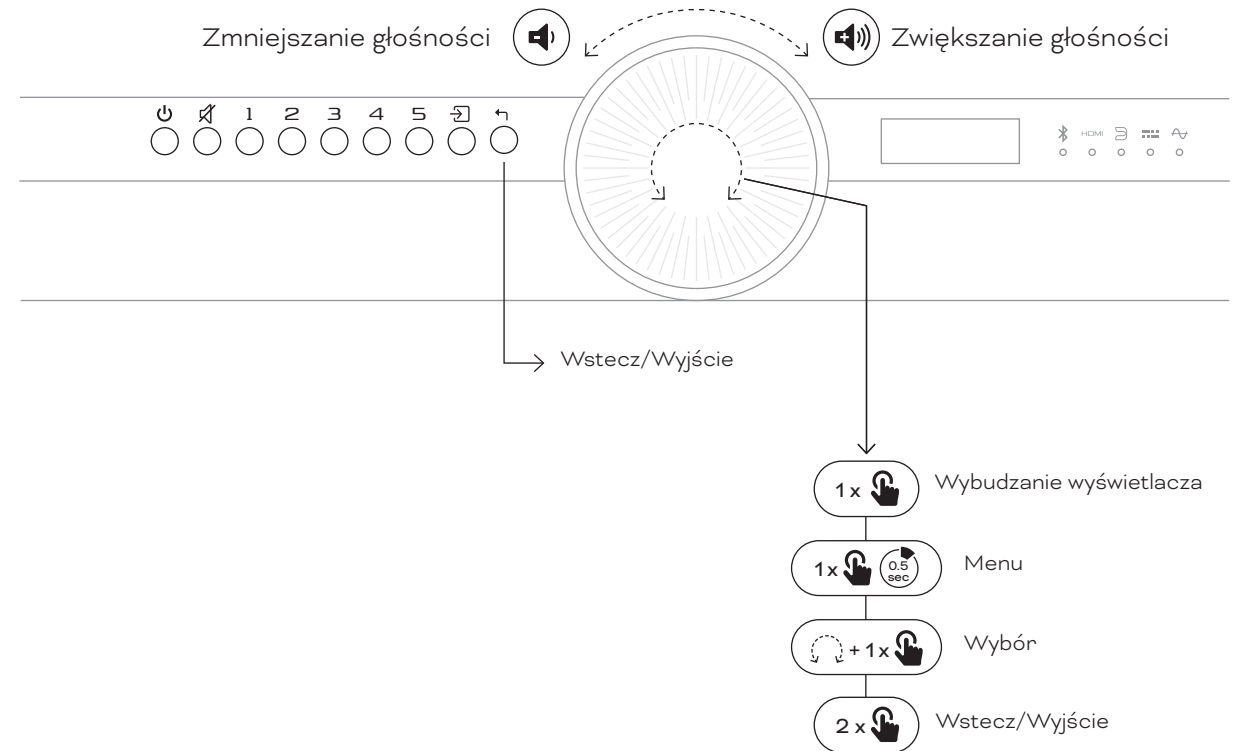
Zasilanie: Za pomocą dołączonego kabla zasilającego podłącz głośnik DALI VEGA do zasilania sieciowego.



9. KONFIGURACJA DALI VEGA

Po ustawieniu i podłączeniu do sieci głośnika DALI VEGA, sieci bezprzewodowej oraz wymaganych źródeł przewodowych możesz rozpocząć konfigurację.

Konfigurację głośnika DALI VEGA przeprowadza się za pośrednictwem menu wyświetlacza. Użyj **pokrętła głośności**, aby wybrać poszczególne opcje menu. Dotknij powierzchni **pokrętła głośności**, aby potwierdzić swój wybór. Użyj przycisku **wstecz/ wyjście**, który znajduje się po lewej stronie **pokrętła głośności**, aby zapisać wybrane opcje i jednocześnie powrócić przez poszczególne menu konfiguracji.



9. KONFIGURACJA DALI VEGA

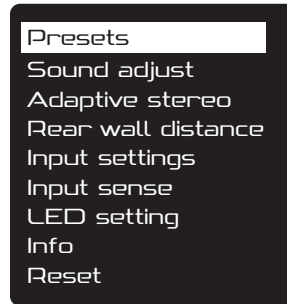
Menu głośnika DALI VEGA

Aby uzyskać dostęp do menu konfiguracji DALI VEGA, dotknij jeden raz i przytrzymaj środkową część **pokrętła głośności**.

Na wyświetlaczu pojawi się najwyższy poziom menu konfiguracji. Obróć **pokrętło głośności**, aby przewinąć menu w dół lub w górę i dotknij środkowej części pokrętła w celu wybrania opcji menu i wejścia do podmenu.

Opcje konfiguracji dostępne w każdym menu najwyższego poziomu opisano w kolejnych akapitach.

! Jeśli w ciągu 10 sekund nie dokonasz żadnego wyboru w menu, wyświetlacz DALI VEGA powróci do ekranu roboczego.



Presets (Ustawienia wstępne)

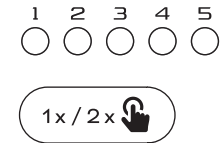
Menu **Presets (Ustawienia wstępne)** wyświetla i umożliwia aktywowanie ustawień wstępnych wprowadzonych w aplikacji BluOS. Po lewej stronie pokrętła głośności znajduje się pięć przycisków ustawień wstępnych, do których można przypisać łącznie 10 ustawień wstępnych BluOS (za pomocą aplikacji BluOS).

Ustawienia wstępne od 1 do 10

Przyciski **Ustawień wstępnych** umożliwiają natychmiastowy wybór dowolnych zapisanych elementów, takich jak stacje radiowe lub usługi strumieniowego przesyłania dźwięku.

Jedno naciśnięcie aktywuje ustawienia wstępne od 1 do 5. Dwukrotne naciśnięcie aktywuje ustawienia wstępne od 6 do 10.

Wszelkie dodatkowe zapisane ustawienia wstępne BluOS można znaleźć w menu **Presets (Ustawienia wstępne)**. Można w nim aktywować maksymalnie 40 ustawień wstępnych. Możesz przypisać dowolne aktualnie wybrane źródło, na przykład internetową stację radiową lub usługę strumieniową, do jednego z przycisków ustawień wstępnych, aby móc je szybko przywołać.



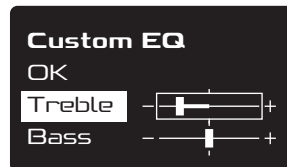
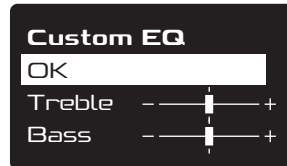
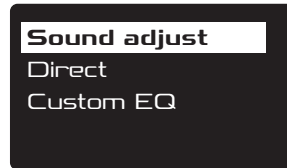
[W jaki sposób dodać lub usunąć ustawienie wstępne](#)

9. KONFIGURACJA DALI VEGA

Sound adjust (Regulacja dźwięku)

Menu **Sound adjust (Regulacja dźwięku)** umożliwia wybranie opcji dźwięku **Direct (Bezpośredni)** (jest to domyślny dźwięk głośnika DALI VEGA) lub **Custom EQ (Niestandardowy korektor)**.

Po wybraniu opcji **Custom EQ (Niestandardowy korektor)** na wyświetlaczu pojawi się opcja dostosowania niskich i wysokich tonów w zakresie +/-10 dB, co 2 dB. Dostosuj niskie i wysokie tony za pomocą **pokrętła głośności**.

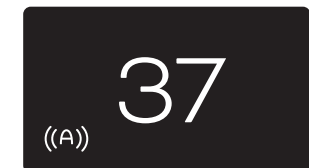


DALI Adaptive Stereo Enhancement™ (Adaptacyjne ulepszenie stereo)

Głośnik DALI VEGA wykorzystuje opracowaną przez firmę DALI technologię Adaptive Stereo Enhancement (ASE), która może poprawić wrażenia z odsłuchu stereofonicznego przy użyciu kompaktowych głośników, sprawiając, że dźwięk jest bardziej rozległy, immersyjny i angażujący. Technologia DALI Adaptive Stereo Enhancement jest domyślnie włączona, ale w razie potrzeby można ją wyłączyć.

Menu **Adaptive stereo (Adaptacyjny dźwięk stereo)** umożliwia włączenie lub wyłączenie funkcji Adaptive Stereo Enhancement. Wybierz żądaną opcję za pomocą **pokrętła głośności**.

- ! Gdy aktywowano funkcję Adaptive Stereo Enhancement, w lewej dolnej części głównego wyświetlacza pojawi się logo ASE ((A)).



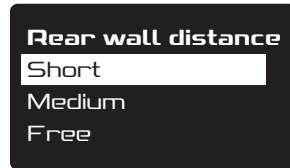
9. KONFIGURACJA DALI VEGA

Rear wall distance

(Odległość od ściany z tyłu)

Jak w przypadku każdego głośnika na dźwięk DALI VEGA wpływają pobliskie elementy ograniczające rozchodzenie się dźwięku w pomieszczeniu. Menu **Rear wall distance (Odległość od ściany z tyłu)** umożliwia dostosowanie dźwięku głośnika DALI VEGA na podstawie odległości od ściany.

Użyj **pokrętła głośności**, aby wybrać opcję, która najlepiej odpowiada odległości głośnika DALI VEGA od elementy z tyłu.



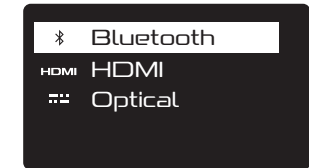
- Short (Mała):** Odległość od ściany z tyłu wynosi mniej niż 10 cm (3,9 cala).
- Medium (Średnia):** Odległość od ściany z tyłu wynosi od 10 do 50 cm (od 3,9 do 19,6 cala).
- Free (Wolna):** Odległość od ściany z tyłu wynosi powyżej 50 cm (19,6 cala).

Menu **Rear wall distance (Odległość od ściany z tyłu)** jest niedostępne, gdy głośnik DALI VEGA jest zamontowany na ścianie.

Input settings

(Ustawienia wejścia)

Menu **Input setting (Ustawienia wejścia)** umożliwia konfigurację konkretnych opcji dla wejść Bluetooth, HDMI i optycznych.



Dostępne opcje:

- Bluetooth (Bluetooth):** Rozłączanie połączenia i czyszczenie parowania.
- HDMI (HDMI):** Opóźnienie dźwięku.
- Optical (Optyczne):** Wykrywanie sygnału i wykrywanie nośnika.

- !** Opóźnienie dźwięku HDMI umożliwia optymalizację synchronizacji obrazu telewizora.

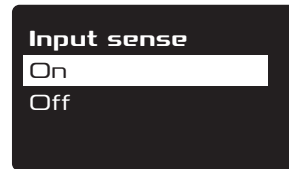
Wykrywanie sygnału wejścia optycznego oraz wykrywanie nośnika umożliwia głośnikowi DALI VEGA automatyczny wybór wejścia optycznego, gdy źródło sygnału optycznego zostanie po prostu włączone lub jest dostępny tylko sygnał audio.

9. KONFIGURACJA DALI VEGA

Input sense

(Czujnik sygnału wejściowego)

Menu **Input sense (Czujnik sygnału wejściowego)** umożliwia włączenie się głośnika DALI VEGA z trybu czuwania, zaraz po wykryciu sygnału na dowolnym wejściu, jak również automatyczne wyłączenie się 20 minut po tym, jak nie będzie obecny żaden sygnał wejściowy. Funkcję **Input sense (czujnik sygnału wejściowego)** można włączyć lub wyłączyć.. Użyj **pokrętła głośności**, aby wybrać żądaną opcję.



- ! Wejścia analogowe i optyczne są wybierane automatycznie po wykryciu sygnału audio, jeśli włączono czujnik sygnału wejściowego (**On (Wł.)**), a głośnik VEGA aktualnie nie odtwarza dźwięku.

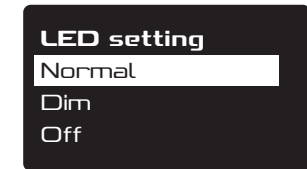
Wejścia Bluetooth i BluOS zostaną automatycznie wybrane po naciśnięciu przycisku odtwarzania w urządzeniu źródłowym.

Wejście HDMI ARC zostanie automatycznie wybrane po włączeniu podłączonego telewizora, gdy głośnik VEGA aktualnie nie odtwarza dźwięku.

LED setting

(Ustawienie diody LED)

Menu **LED setting (Ustawienie diody LED)** umożliwia regulację jasności diod LED wskaźnika DALI VEGA. Użyj **pokrętła głośności**, aby wybrać żądaną opcję.

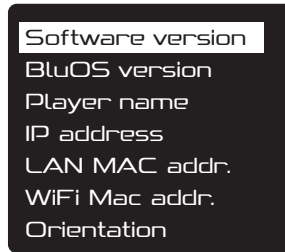


- ! Jeśli menu ustawień diody LED ustawiono na **Off (Wył.)**, diody LED głośnika DALI VEGA będą zawsze wyłączone, a wybór bieżącego źródła zostanie pokazany w prawym dolnym rogu wyświetlacza.

9. KONFIGURACJA DALI VEGA

Info (Informacje)

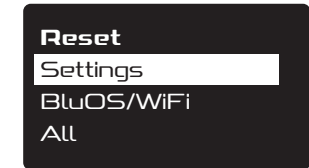
Menu **Info (Informacje)** pokazuje informacje o systemie, które mogą być przydatne podczas rozwiązywania problemów. Użyj **pokrętła głośności**, aby wybrać i wyświetlić żądane informacje, a następnie wyjdź z menu poprzez naciśnięcie przycisku **wstecz/wyjście**.



Reset (Zerowanie)

Menu **Reset (Zerowanie)** umożliwia usunięcie ustawień użytkownika głośnika DALI VEGA.

Użyj **pokrętła głośności**, aby wybrać żądaną opcję, a następnie wyjdź z menu poprzez naciśnięcie przycisku **wstecz/wyjście**.



- ! Opcja **Settings (Ustawienia)** powoduje wyzerowanie wszystkich ustawień użytkownika, w tym sparowanych urządzeń Bluetooth, ale wyłączając ustawienia wstępne BluOS i konfigurację Wi-Fi.

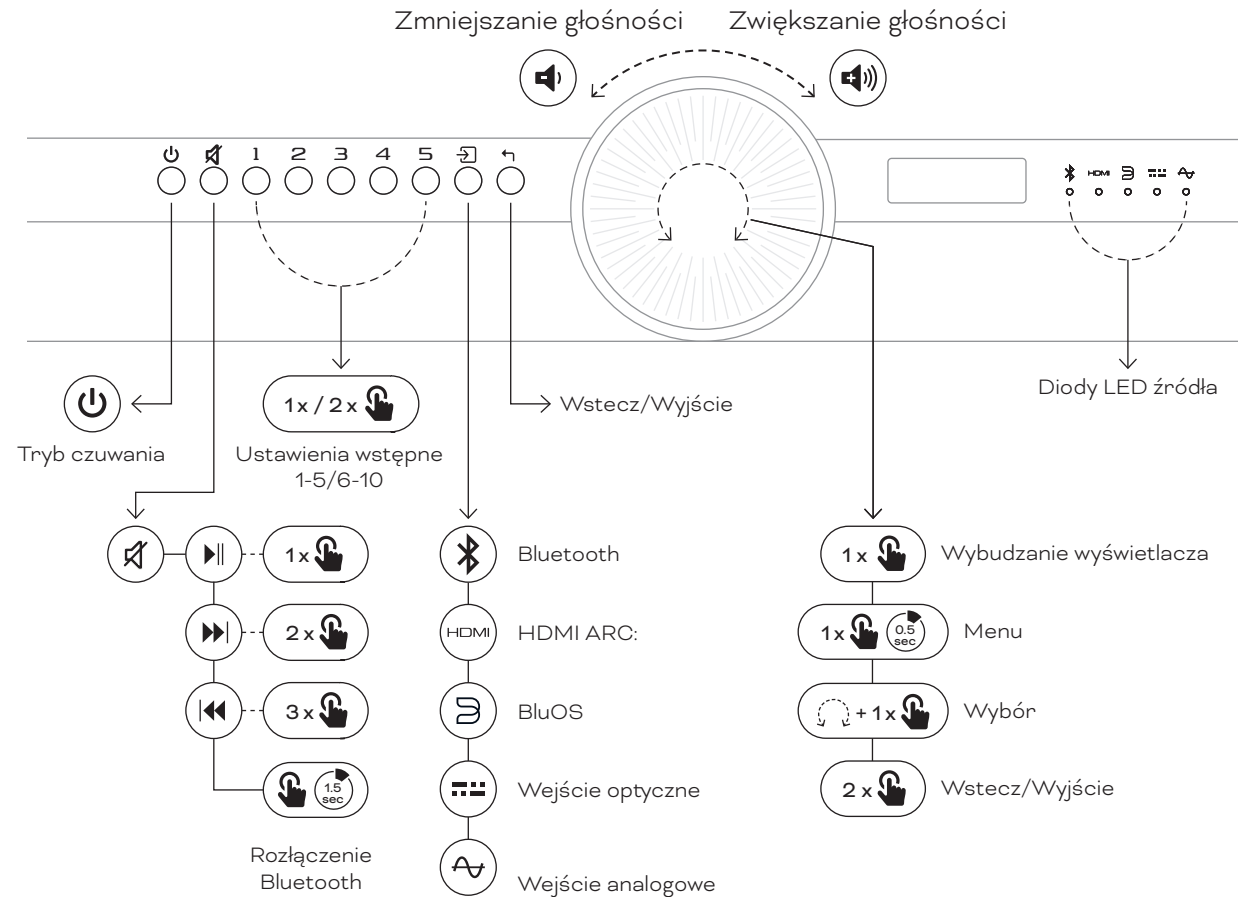
Opcja **BluOS/Wi-Fi (BluOS/Wi-Fi)** powoduje usunięcie ustawień wstępnych BluOS, a także zresetowanie połączenia Wi-Fi, przywracając głośnik DALI VEGA do trybu punktu dostępowego BluOS. W tym momencie głośnik jest gotowy do nawiązania nowego połączenia Wi-Fi.

Opcja **All (Wszystko)** łączy obie wcześniejsze opcje zerowania.

10. UŻYTKOWANIE DALI VEGA

Gdy głośnik DALI VEGA jest już ustawiony, podłączony i skonfigurowany, możesz cieszyć się jego wydajnością podczas słuchania ulubionej muzyki.

Do sterowania głośnikiem DALI VEGA możesz użyć **przycisków** oraz **pokrętła głośności** na korpusie lub **pilota**. Pilot zdalnego sterowania i znajdujące się na nim przyciski przedstawiono na kolejnej stronie.




10. UŻYTKOWANIE DALI VEGA

Przyciski i pokrętko głośności DALI VEGA

Przyciski głośnika DALI VEGA zapewniają dostęp do następujących funkcji (od lewej do prawej):

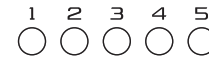
Przycisk trybu czuwania

Naciśnij przycisk trybu czuwania, aby wybudzić głośnik DALI VEGA lub przywrócić go do trybu uśpienia.

 Pobór mocy głośnika DALI VEGA w trybie czuwania wynosi mniej niż 0,5 W.

Przycisk wyciszenia

Naciśnij przycisk **wyciszenia**, aby wyciszyć lub przywrócić dźwięk. Jeśli aktualnie wybrane źródło oferuje sterowanie odtwarzaniem, przycisk **wyciszenia** będzie odpowiadał za sterowanie swoją funkcją: jedno naciśnięcie **odtworzenie/wstrzymanie**, dwa naciśnięcia **przewinięcie do przodu**, a trzy naciśnięcia **przewinięcie do tyłu**. Naciśnij i przytrzymaj przycisk **wyciszenia**, aby rozłączyć Bluetooth.

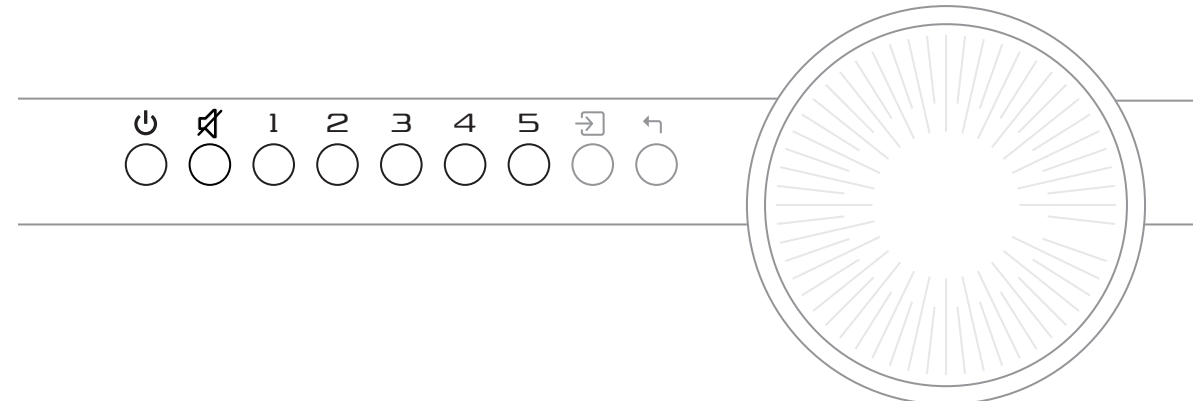
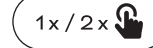


Przyciski ustawień wstępnych od 1 do 10

Przyciski **Ustawień wstępnych** umożliwiają natychmiastowy wybór dowolnych zapisanych elementów, takich jak stacje radiowe lub usługi strumieniowego przesyłania dźwięku.

Jedno naciśnięcie aktywuje ustawienia wstępne od 1 do 5.

Dwukrotne naciśnięcie aktywuje ustawienia wstępne od 6 do 10.



10. UŻYTKOWANIE DALI VEGA

☞ **Przycisk wejścia**

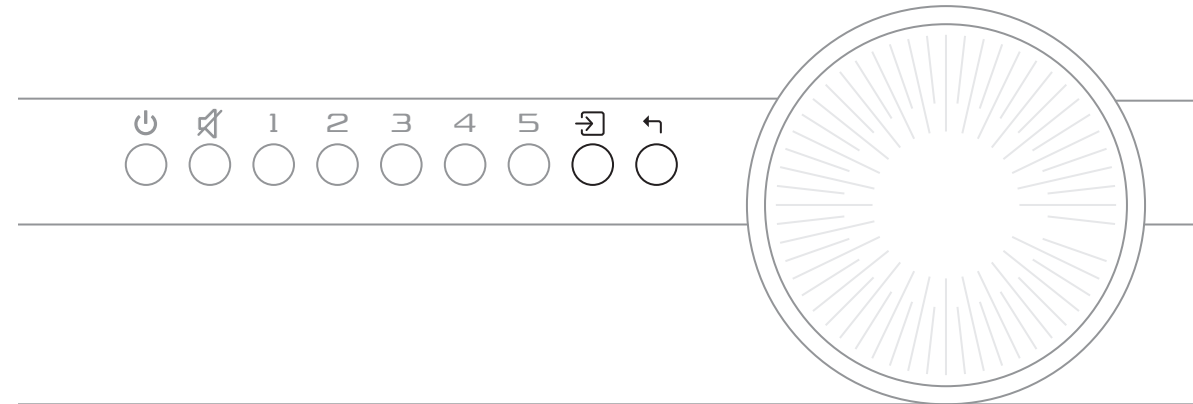
Naciśnięcie przycisku **wejścia** spowoduje przewinięcie i wybranie dostępnych wejść sygnału DALI VEGA w następującej kolejności:

-  Bluetooth
-  HDMI ARC:
-  BluOS
-  Wejście optyczne
-  Wejście analogowe

! Pierwsze naciśnięcie przycisku wejścia pokazuje aktualnie wybrane źródło sygnału. Kolejne naciśnięcia umożliwiają przełączanie się pomiędzy źródłami.

↶ **Przycisk wstecz/wyjście**

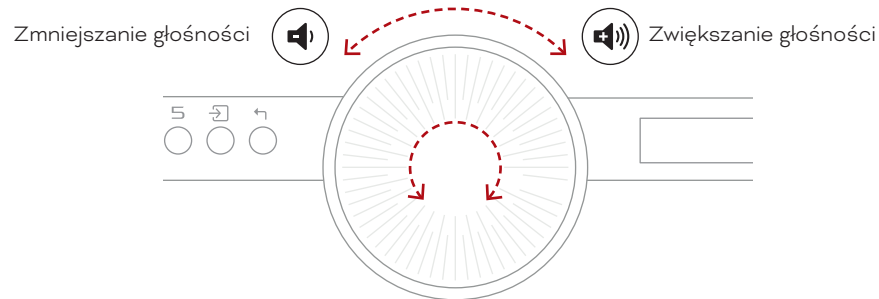
Naciśnięcie przycisku **wstecz/wyjście** umożliwia powrót przez poprzednie poziomy menu.



10. UŻYTKOWANIE DALI VEGA

Pokrętło głośności

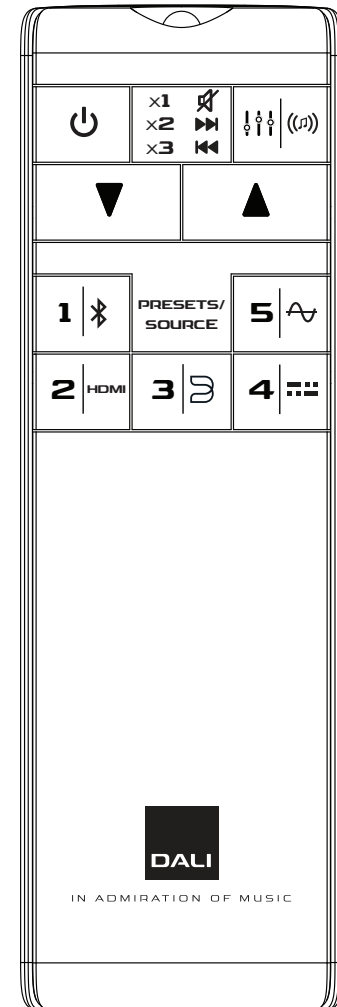
Po włączeniu głośnika DALI VEGA, gdy nie jest on w trybie konfiguracji, **okrętło sterowania** odpowiada za sterowanie głośnością. Obróć je zgodnie z ruchem wskazówek zegara, aby zwiększyć poziom głośności lub przeciwnie do ruchu wskazówek zegara, aby go zmniejszyć.



Pilot zdalnego sterowania

Na pilocie DALI VEGA powielono najczęściej wykorzystywane funkcje głośnika DALI VEGA.

Pilot zdalnego sterowania DALI VEGA i jego funkcje przedstawiono na stronie 24.



11. ŁĄCZNOŚĆ BLUETOOTH

11.1 Parowanie Bluetooth

W celu połączenia urządzenia Bluetooth z głośnikiem DALI VEGA:

1. Włącz głośnik DALI VEGA.
2. Za pomocą przycisku wejścia wybierz wejście Bluetooth.
3. Głośnik DALI VEGA jest teraz gotowy do parowania Bluetooth.
 - a. Jeżeli dioda LED Bluetooth miga, żadne urządzenie nie jest w tym momencie połączone.
 - b. Jeżeli dioda LED Bluetooth świeci stałym światłem, urządzenie jest połączone. Użyj funkcji rozłączania Bluetooth, aby rozłączyć połączone urządzenie.
 - c. W danym momencie można połączyć tylko jedno urządzenie Bluetooth.
 - d. Na swoim urządzeniu rozpocznij parowanie Bluetooth. Po zakończeniu parowania muzyka będzie odtwarzana z urządzenia połączonego za pośrednictwem Bluetooth.

Po wybraniu opcji Bluetooth głośnik DALI VEGA automatycznie połączy się z ostatnio używanym urządzeniem, jeśli dane urządzenie zostało wcześniej sparowane z nim sparowane i znajduje się w zasięgu.

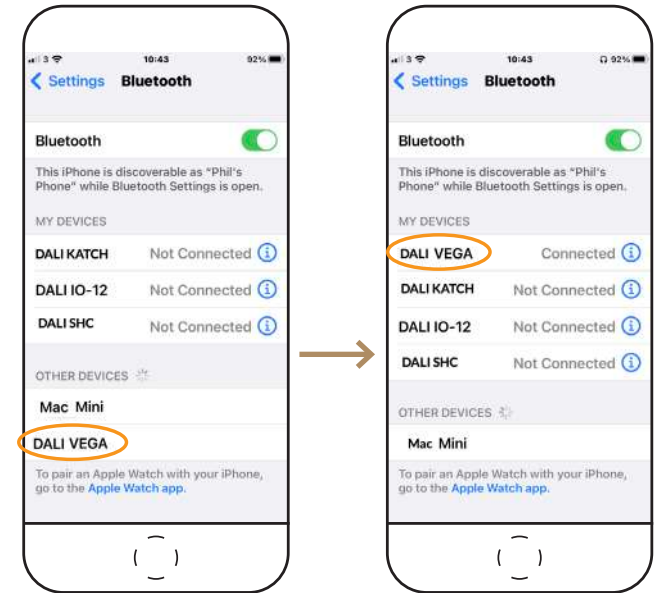
Głośnik DALI VEGA nie rozpocznie automatycznego odtwarzania. Odtwarzanie należy rozpocząć z połączonego urządzenia lub poprzez krótkie naciśnięcie przycisku wyciszenia na głośniku DALI VEGA lub pilocie.

11.2 Rozłączenie Bluetooth

Jeśli nie jesteś w stanie sparować urządzenia z głośnikiem DALI VEGA:

1. Naciśnij i przytrzymaj przycisk rozłączania Bluetooth (przycisk wyciszenia), aż zostanie odtworzony dźwięk rozłączania Bluetooth, a dioda LED Bluetooth (dioda LED 1) zacznie migać.
2. Połączone urządzenie jest teraz rozłączone i możesz ponownie rozpocząć parowanie.
3. Funkcję rozłączania Bluetooth można również aktywować, przechodząc do opcji **Input settings (Ustawienia wejścia)** -> **Bluetooth (Bluetooth)** w menu systemu.

■ Z głośnikiem DALI VEGA można sparować maksymalnie 8 urządzeń Bluetooth.



■ Jeśli zmienisz nazwę głośnika DALI VEGA w aplikacji BluOS, nazwa Bluetooth również ulegnie zmianie.










12. PIELĘGNACJA I WSPARCIE

Głośnik DALI VEGA nie wymaga traktowania innego niż w przypadku pozostałych przedmiotów o wysokiej wartości znajdujących się w domu. Do odkurzenia obudowy należy użyć miękkiej, suchej szmatki.

Firma DALI nie zaleca stosowania jakichkolwiek płynów lub sprayów do czyszczenia produktu.

13. ROZWIĄZYWANIE PROBLEMÓW BLUOS

Wielokolorowa lampka wskaźnika znajdująca się przy logo BluOS wskazuje stan BluOS głośnika DALI VEGA.

	Kod lampki wskaźnika	Opis
	Stałe czerwone, a następnie migające zielone	Włączanie zasilania / ponowne uruchamianie jednostki
	Stałe zielone światło	Tryb punktu dostępowego
	Migające zielone światło	Łączenie z siecią
	Białe pulsujące światło	Dostępna aktualizacja oprogramowania
	Stałe czerwone światło	Tryb aktualizacji
	Naprzemienne migające światło czerwone i zielone	Uaktualnianie
	Migające niebieskie światło	Tryb wyciszenia
	Stałe białe światło	Indeksowanie
	Stałe niebieskie światło	Podłączono do sieci – gotowość do użycia z aplikacją BluOS
	Migające czerwone światło	Przywracanie ustawień fabrycznych w toku
	Stałe fioletowe światło	Przekroczono limit czasu trybu punktu dostępowego

Aby uzyskać więcej informacji, zapoznaj się ze stroną wsparcia Bluesound:



[Strona wsparcia Bluesound](#)

14. AKTUALIZACJE OPROGRAMOWANIA UKŁADOWEGO

Aktualizacje oprogramowania układowego głośnika DALI VEGA mogą co jakiś czas pojawiać się w aplikacji BluOS. Zaktualizowane oprogramowanie układowe może zwiększyć wydajność i niezawodność lub wprowadzić nowe funkcje.



15. POBÓR MOCY

Tryb offline

Naciśnij przycisk trybu czuwania i przytrzymaj go przez 5 sekund. Spowoduje to wyłączenie wszystkich połączeń i ograniczenie poboru mocy do minimum, aż do ponownej aktywacji VEGA poprzez naciśnięcie przycisku trybu czuwania.

Tryb czuwania z funkcją sieci

Tryb czuwania z funkcją sieci jest automatycznie aktywowany, jeśli przez 20 minut nie będzie odtwarzany dźwięk, a użytkownik nie dokona żadnego wyboru. W tym trybie dowolne działanie użytkownika, w tym rozpoczęcie odtwarzania muzyki na jakimkolwiek z połączonych źródeł, spowoduje automatyczne wybudzenie VEGA.

Dezaktywacja Wi-Fi

Jeśli kabel Ethernet zostanie podłączony do VEGA, funkcje sieci bezprzewodowej są automatycznie dezaktywowane.

Tryb	Pobór mocy	Aktywacja	Dezaktywacja
Aktywny (bez dźwięku)	9,2 W	(Patrz „Tryb czuwania z funkcją sieci“).	(Patrz „Tryb czuwania z funkcją sieci“).
Tryb czuwania z funkcją sieci (HiNA)	2,9 W	Automatycznie po 20 minutach bez dźwięku i operacji użytkownika	Dowolna operacja użytkownika, w tym rozpoczęcie odtwarzania
Offline	< 0,7 W	Ręcznie, po przytrzymaniu przycisku trybu czuwania	Ręcznie poprzez naciśnięcie przycisku trybu czuwania

16. DANE TECHNICZNE GŁOŚNIKA DALI VEGA

DALI VEGA	
Pasma przenoszenia	32-22 700 Hz ±3 dB
Maksymalne SPL @ 1 m	110 dB
Częstotliwość podziału	2 400 Hz
Zasada działania zwrotnicy	2-drożna, 8-kanałowa aktywna zwrotnica
Przetwornik(i) wysokiej częstotliwości	Głośnik z miękką kopułką 4 × 25 mm
Membrana wysokiej częstotliwości	Miękka tkanina
Przetwornik(i) średniej/niskiej częstotliwości	4 × 4½ cala
Membrana średnie/niskiej częstotliwości	Stożek z włókna papierowego i drzewnego
Typ obudowy	Precyzyjnie dostrojona obudowa akustyczna 2 × prostokątne przetworniki pasywne (3 × 6 cali)
Częstotliwość strojenia membrany biernej	32 Hz
Typ wzmacniacza	Klasa D w konfiguracji mostkowej (BTL)
Ciągła moc wyjściowa wzmacniacza	8 × 50 W RMS
Łączna moc wyjściowa wzmacniacza	400 W
Złącze wejściowe	1 × HDMI (ARC) 1 × wejście analogowe (RCA niezbalansowane, stereo) 1 × wejście optyczne (Toslink, stereo) 1 × port USB audio/serwisowy (dysk HDD lub USB)
Złącza wyjściowe	Wyjście subwoofera Zasilanie USB (5 V/1 A)
Filtr dolnoprzepustowy wyjścia subwoofera	120 Hz
Formaty wejścia cyfrowego	PCM, stereo

DALI VEGA	
Wejście(a) bezprzewodowe	Bluetooth BluOS Spotify Connect Tidal Connect Apple AirPlay 2
Kodeki wejściowe Bluetooth	AAC aptX aptX HD
Kodeki wejściowe BluOS	MP3 AAC (M4A, MP4) WMA OGG FLAC ALAC (M4A) WMA-L MQA WAV AIFF (AIF, AIFC) PCM DSD256 (konwersja z DSD na PCM)
Obsługiwane formaty wejściowe audio	16-24-bitowy dźwięk Częstotliwość próbkowania 32 / 44,1 / 48 / 96 / 192 kHz
Zalecane rozmieszczenie	Ustawienie stojące: wolnostojący Ustawienie stojące: blisko ściany Ustawienie stojące: blisko narożnika/ściany Ustawienie na ścianie: ustawienie poziome Ustawienie na ścianie: Ustawienie pionowe

Ciąg dalszy na następnej stronie

16. DANE TECHNICZNE GŁOŚNIKA DALI VEGA

DALI VEGA

Funkcje	Adaptive Orientation Adjustment Adaptacyjne ulepszenie stereo Maks. 40 programowalnych ustawień wstępnych Regulacja dźwięku (Bezpośredni/Niestandardowy korektor) Odległość od ściany z tyłu Rozłączenie/czyszczenie Bluetooth Opóźnienie dźwięku HDMI Wykrywanie sygnału optycznego/nośnika Czujnik sygnału wejściowego Ustawienie diody LED Przywracanie ustawień fabrycznych Tryb czuwania (automatyczne zasilanie) Wyciszenie Włącznik/wyłącznik zasilania Głośność Wybór źródła dźwięku
Maksymalny pobór mocy	250 W
Pobór mocy w trybie czuwania	≤ 3 W
Wymiary (wys. x szer. x gł.)	143 x 683 x 243 mm 5,63 x 26,90 x 9,57 cale
Wymiary wysyłkowe (wys. x szer. x gł.)	330 x 870 x 200 mm 13,0 x 34,25 x 7,87 cale
Ciężar	8,7 kg 19,18 lb
Waga przesyłki	13,3 kg 29,32 lb
Wykończenie	Dark Oak (Ciemny dąb) Natural Oak (Naturalny dąb)

DALI VEGA

Dołączone akcesoria	1 × pilot zdalnego sterowania 2 × baterie AAA (do pilota) 2 × wsporniki ściennie (do ściany) 2 × wsporniki ściennie (do systemu VEGA) 2 × śruby do wsporników ściennych VEGA 1 × klucz imbusowy M6 1 × uchwyt na kabel 1 × kabel sieciowy 1 × karta rejestracyjna produktu 1 × skrócona instrukcja obsługi 2 × szablon do montażu ściennego 1 × instrukcja bezpieczeństwa
---------------------	--

Dane techniczne mogą ulec zmianie bez powiadomienia.

Informacje prawne

Poniższe pojęcia są znakami handlowymi lub zarejestrowanymi znakami handlowymi ich odpowiednich właścicieli:

Bluetooth®	Bluetooth SIG, Inc.
BluOS™	Bluesound International, oddział Lenbrook Industries Limited
HDMI®	HDMI Licensing Administrator, Inc.
Wi-Fi®	Wi-Fi Alliance

DALI VEGA

取扱説明書

バージョン1.0 2026年3月
日本語



目次

1. はじめに 310
2. 梱包内容..... 311
3. 開梱 312
4. Wi-Fi接続とBluOSのセットアップ 313
5. DALI VEGAの位置決め..... 314
6. ケーブルの整理 316
7. DALI VEGAの壁掛け設置..... 317
8. 有線接続..... 322
9. DALI VEGAの設定 325
10. DALI VEGAの基本的な使い方..... 331
11. Bluetooth接続 336
12. お手入れとサポート 337
13. BLUOSTラブルシューティング 337
14. ファームウェアのアップデート..... 338
15. 消費電力..... 339
16. DALI VEGAの仕様 340

1. はじめに

このたびはDALI VEGAをお買い上げいただき、誠にありがとうございます。DALI VEGAは、ご家庭でお楽しみいただくスタイリッシュな一体型オーディオの新たな基準(ベンチマーク)となるよう設計された、最新鋭のオールインワン・サウンドシステムです。卓越したサウンドクオリティと幅広い多用途性、直感的な操作性を兼ね備え、さらにデンマークならではのユニークで魅力的なラグジュアリーデザインを融合させています。

本取扱説明書では、DALI VEGAのセットアップと操作方法についてご説明いたします。

DALI VEGAのセットアップとご使用を開始する前に、必ず本書をご一読ください。

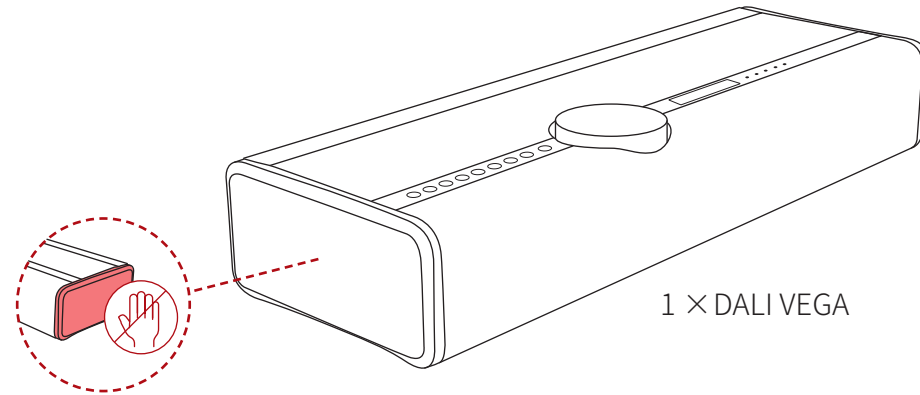
本書は、まず同梱品のご説明から始まり、DALI VEGAの設置、接続、各種設定、そして日常的なご使用方法までを網羅しています。



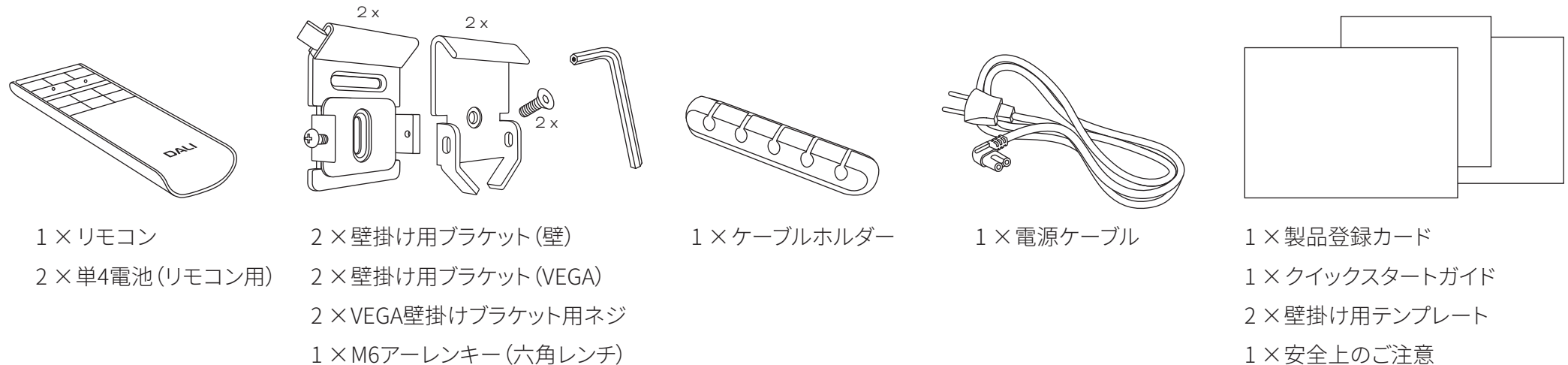
2. 梱包内容

DALI VEGAの梱包内容は、以下のとおりです。

! DALI VEGA本体の両端にあるパッシブラジエーターには触れないでください。破損の原因となる恐れがあります。

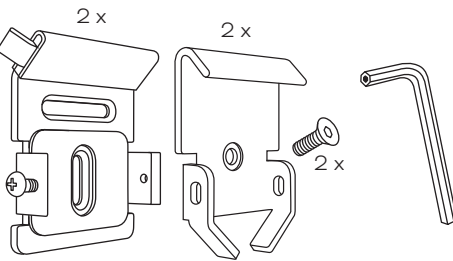


1 × DALI VEGA



1 × リモコン

2 × 単4電池 (リモコン用)

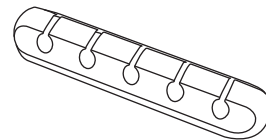


2 × 壁掛け用ブラケット (壁)

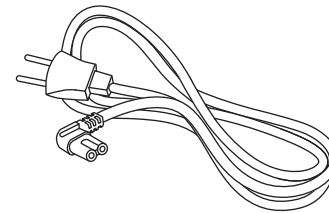
2 × 壁掛け用ブラケット (VEGA)

2 × VEGA壁掛けブラケット用ネジ

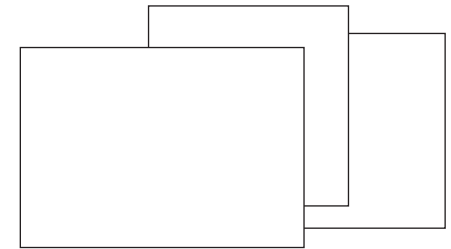
1 × M6アーレンキー (六角レンチ)



1 × ケーブルホルダー



1 × 電源ケーブル



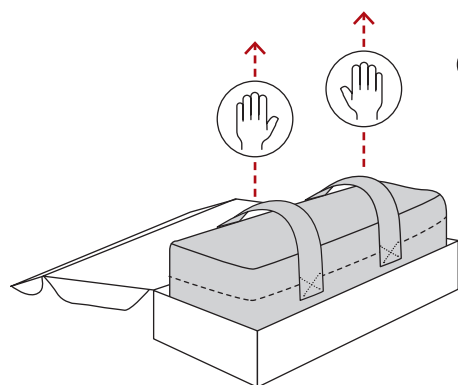
1 × 製品登録カード

1 × クイックスタートガイド

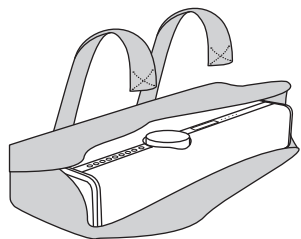
2 × 壁掛け用テンプレート

1 × 安全上のご注意

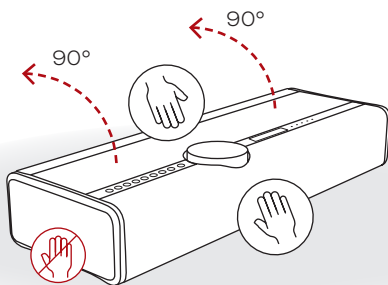
3. 開梱



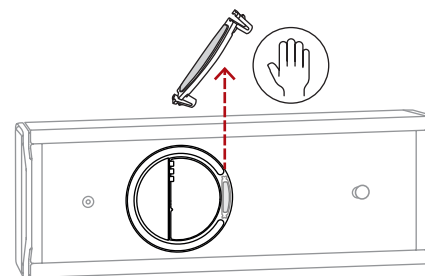
- ❶ 箱の蓋を開け、両方のストラップを使ってVEGAを箱から取り出します。



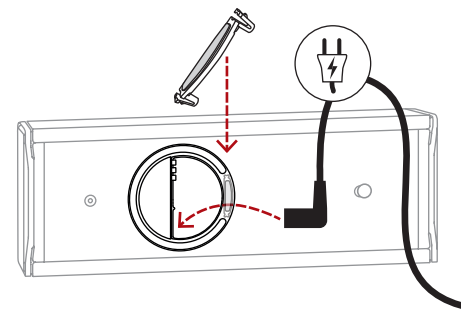
- ❷ ベルクロのストラップを外し、カバーを取り外します。



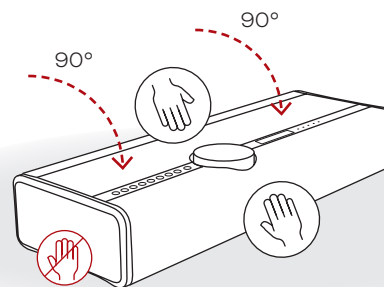
- ❸ VEGAを背面側に90度傾け、ケーブルクリップを開いて取り外します。



- ❹ 電源ケーブルと、その他必要なケーブルを接続します。



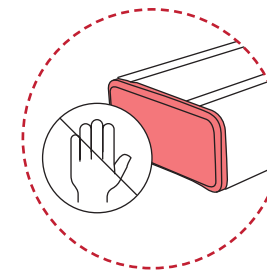
- ❺ ケーブルクリップを取り付け、VEGAを元の向きに戻して設置します。



- ❻ これで、VEGAのWi-Fi接続の準備ができました。

! 重要

開梱する際は、パッシブラジオーターに触れないようご注意ください。



4. WI-FI接続とBLUOSのセットアップ

1 DALI VEGAの電源を入れる

BluOSのLEDが緑色の点灯に変わるまでお待ちください。これが「ホットスポット (Hotspot)」モードの合図です。

2 BluOSアプリを入手する

スマートフォンまたはタブレットを使用して、BluOSアプリをダウンロードして開きます。



! iOSデバイスをお使いの場合、デバイスのWi-Fi設定画面にある「Set up new AirPlay speaker」(新規AirPlayスピーカーを設定) オプションからも、DALI VEGAをWi-Fiネットワークに接続できます。



3 DALI VEGAをネットワークに追加する

「Add a player」(プレイヤーを追加) ウィザードが表示されますので、画面の案内に従ってBluOSのセットアップを完了してください。

! DALI VEGAをルーターやネットワークスイッチに有線LANで接続している場合、Wi-Fi接続は不要です。BluOS Controllerアプリ内でDALI VEGAが自動的に認識され、セットアップを開始できます。

→ [Bluesoundサポートページ](#)



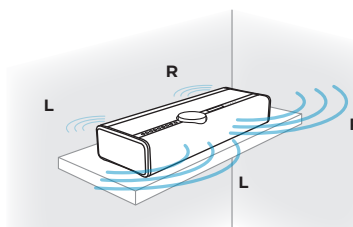
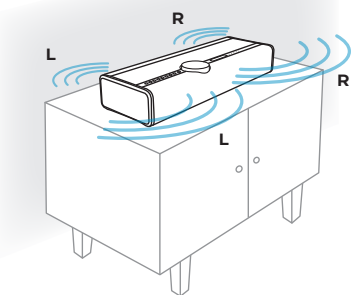
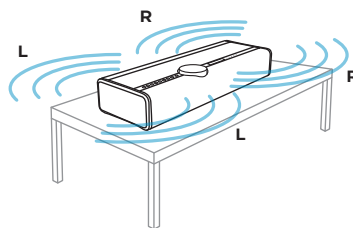
bluesound.com/downloadsにアクセスしてBluOSアプリをダウンロード

ネットワークの初期設定は、本アプリをお使いのスマートフォンやタブレットで操作して行います。セットアップを開始するにあたり、本アプリがインストール済みであること、また操作に使うスマートフォン等がお近くにあることをご確認ください。

5. DALI VEGAの位置決め

DALI VEGAは卓越した多用途性を備え、ご家庭の様々な場所への設置に適しています。例えば、テーブル、家具、棚、窓際などに置いたり、オプション(別売)のDALI VEGA壁掛け用ブラケットを使用して、横向き・縦向きのどちらでも壁に設置することが可能です。設置に必要な条件は、電源が確保できることだけです。有線LAN接続をご希望の場合は、ネットワークルーターやスイッチに接続できる環境も必要になります。

DALI VEGAは、その置き方(据え置き・横向き・縦向き)を自動で検知し、前面と背面のスピーカーから再生されるステレオサウンドを常に最適化します。ディスプレイの表示も同様に自動で回転します。



1 据え置き:壁から離して設置

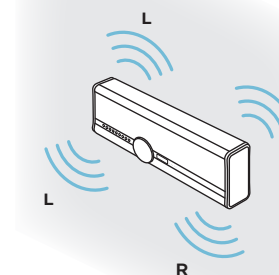
DALI VEGAは、前方と後方の両方向にサウンドを再生します。
推奨設定「背面壁との距離」:
Free。

2 据え置き:壁際に設置

DALI VEGAは、後方へのサウンドを抑え、前方により強く再生するようになります。
推奨設定「背面壁との距離」:
Medium。

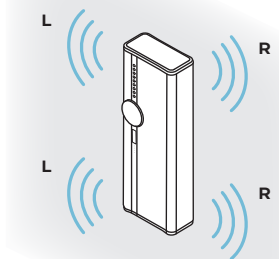
3 据え置き:部屋の隅や壁に近づけて設置

DALI VEGAは、後方へのサウンド再生をさらに抑え、より前方への再生に集中するようになります。
推奨設定「背面壁との距離」:
Short。



4 壁掛け:横向き

DALI VEGAは、両方向にサウンドを再生します。
「背面壁との距離」は自動で設定されるため、操作は不要です。



5 壁掛け:縦向き

DALI VEGAは、両方向にサウンドを再生します。
前面のスピーカーが左チャンネルを、背面のスピーカーが右チャンネルをそれぞれ再生します。
「背面壁との距離」は自動で設定されるため、操作は不要です。

5. DALI VEGAの位置決め

Adaptive Orientation Adjustment (設置方向の自動最適化機能)

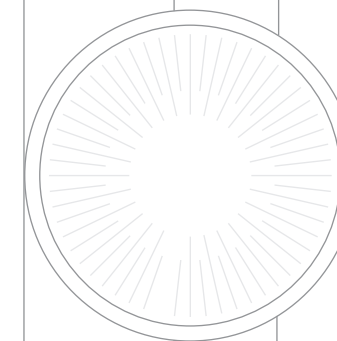
DALI VEGAは、DALIの技術者が独自に開発した高度なAdaptive Orientation Adjustment技術を搭載しています。この革新的な機能により、設置方法や場所を問わず、DALI VEGAをあらゆる生活空間へシームレスに溶け込ませることが可能です。

内蔵の方向センサーが、棚やテーブルへの据え置き、壁への横向き・縦向き設置といった、本体の向きをインテリジェントに検知。常に最高の音質を保证するため、ステレオ信号の振り分けを自動で再構成します。

このリアルタイム調整機能は、空間表現の正確性やステレオイメージングを向上させ、設置場所に関わらず、常に臨場感あふれるリスニング体験をご提供します。

Adaptive Orientation Adjustmentは、VEGAの環境認識設計思想の核となるものであり、お客様のお好みに合わせて音響的に自らを最適化し、音楽パフォーマンスを正確かつ明瞭に引き上げます。

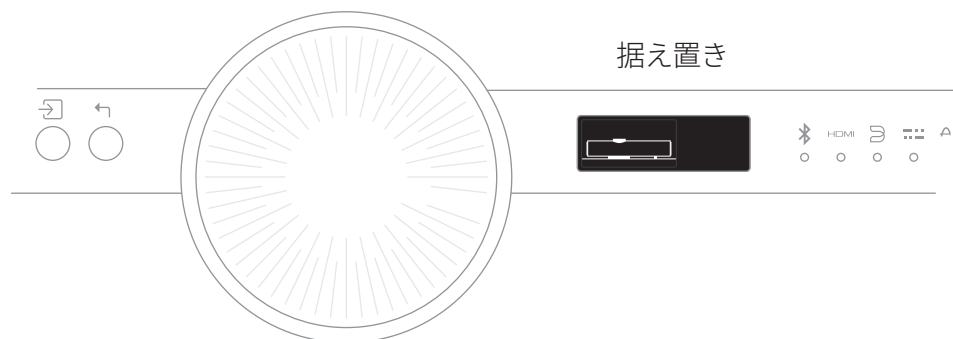
VEGAをお好みの向きに設置すると、ディスプレイに3種類のロゴのいずれかが表示され、作動しているモードをお知らせします。



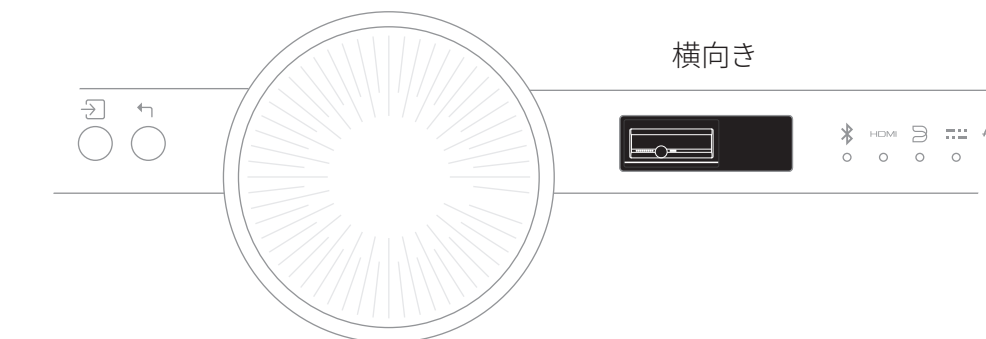
縦向き



BWCH



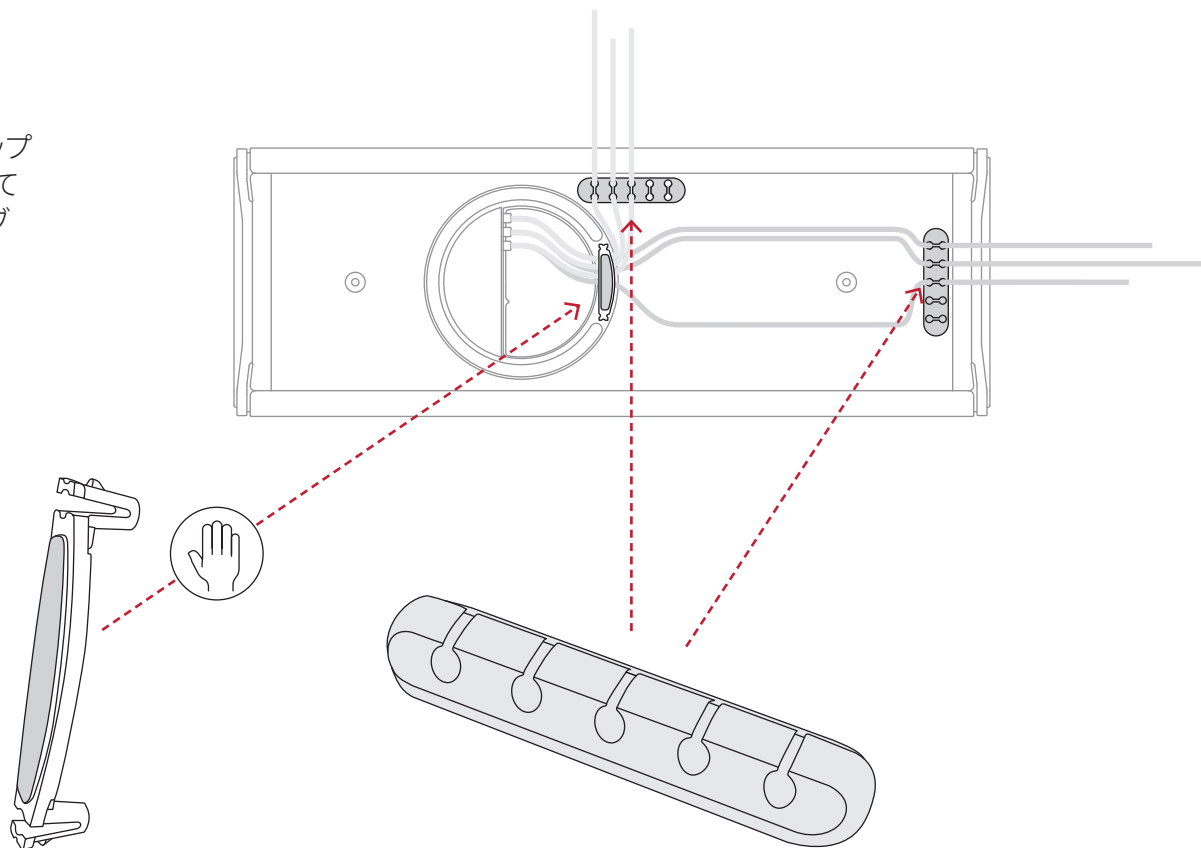
据え置き



横向き

6. ケーブルの整理

VEGAの背面には、両端を指で開くことができるケーブルクリップがあります。このクリップと付属のケーブルホルダーを合わせてお使いいただくことで、どのような向きや設置方法でも、ケーブルをすっきりとまとめることができます。



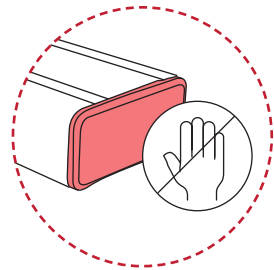
7. DALI VEGAの壁掛け設置

DALI VEGAを壁に横向きまたは縦向きで設置するには、付属の4つの壁掛け用ブラケットを使用します。

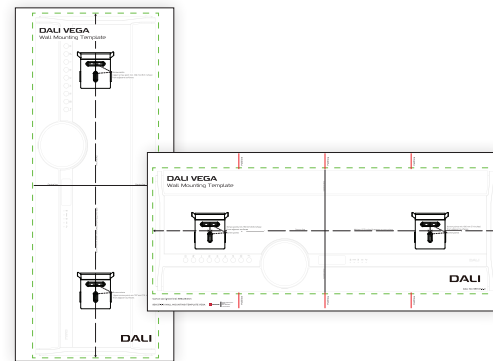
壁掛け用ブラケットのうち2つを、付属のネジとM6六角レンチを使ってDALI VEGAの背面に取り付けます。

残りの2つの壁掛け用ブラケットを、壁の材質に適したネジ4本(付属していません。別途ご用意ください)を使用して壁に取り付けます。

詳細な手順については、次のページ以降に従ってください。

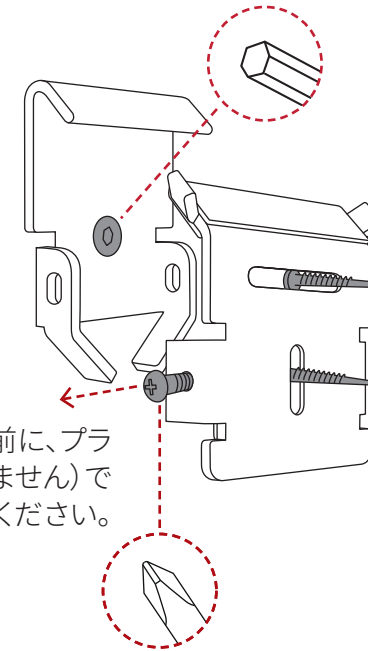


❗ 取り付け作業中は、パッシブラジエーターに触れないようにしてください。



DALI VEGA用ブラケットは、それぞれ付属のネジ1本で取り付けます。M6六角レンチを使い、ブラケットを緩みがないようにしっかりと固定してください。

スピーカーを取り付ける前に、プラスチックドライバー(付属していません)で安全ネジを緩めてください。



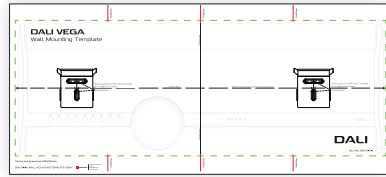
壁用ブラケットは、壁の材質に適したネジ2本で取り付けます。(ネジは付属していません。別途ご用意ください)。

❗ 付属の壁掛け用テンプレートを使用すると、壁掛けブラケットの取り付け位置を簡単かつ正確に決めることができます。

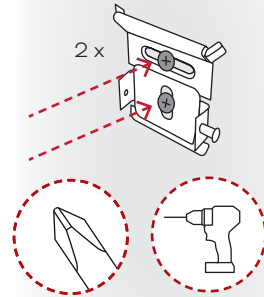
壁掛け用テンプレートは、横向き用と縦向き用の2種類が付属しています。

7. DALI VEGAの壁掛け設置

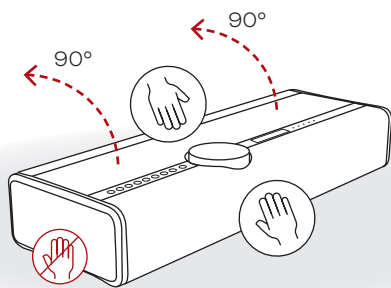
横向き (1/2)



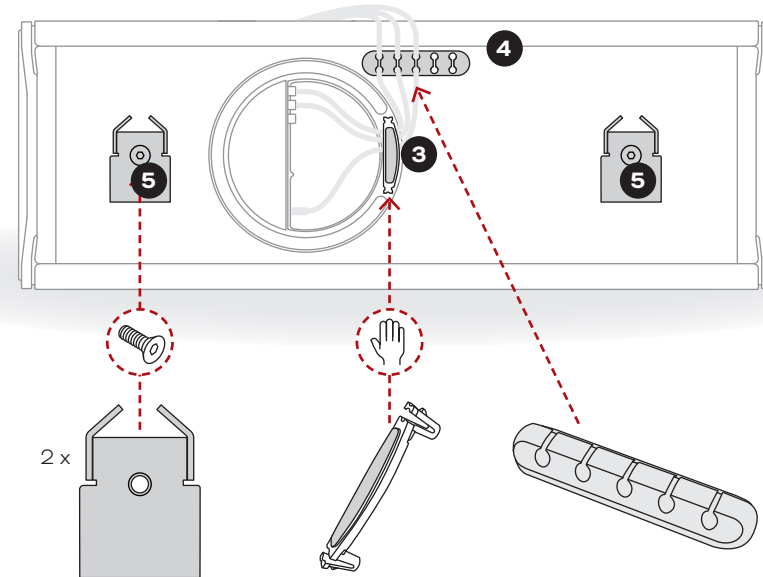
- 1 付属の横向き用壁掛けテンプレートを使い、ドリルで開ける穴(各ブラケット2か所)に印を付け、2つの壁掛け用ブラケットを壁に取り付けます。



- 2 VEGAを背面側に90度傾け、



! 絶対にVEGAを前面や上面を下にして置かないでください。ボリュームホイールに傷が付く原因となります。

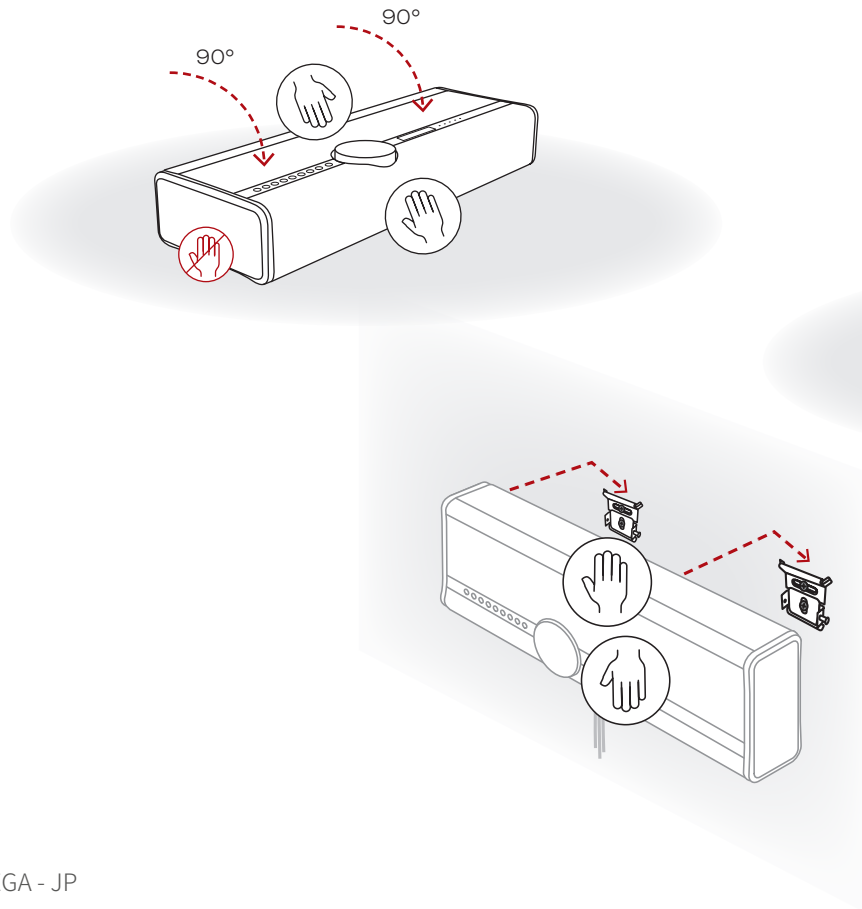


- 3 VEGA本体に、横向き設置用の壁掛けブラケットを取り付けてください。
- 4 粘着式のケーブルホルダーを貼り付け、ケーブルを通します。
- 5 ケーブルクリップを取り外し、ケーブルを接続してから、クリップを元に戻します。

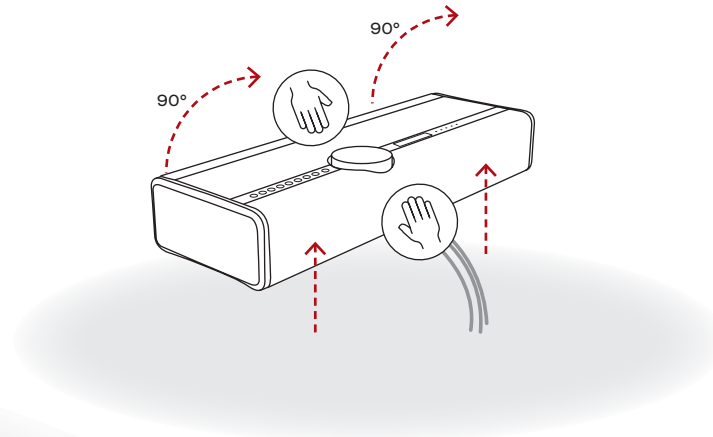
7. DALI VEGAの壁掛け設置

横向き (2/2)

- ⑥ VEGAを元の向きに戻します。

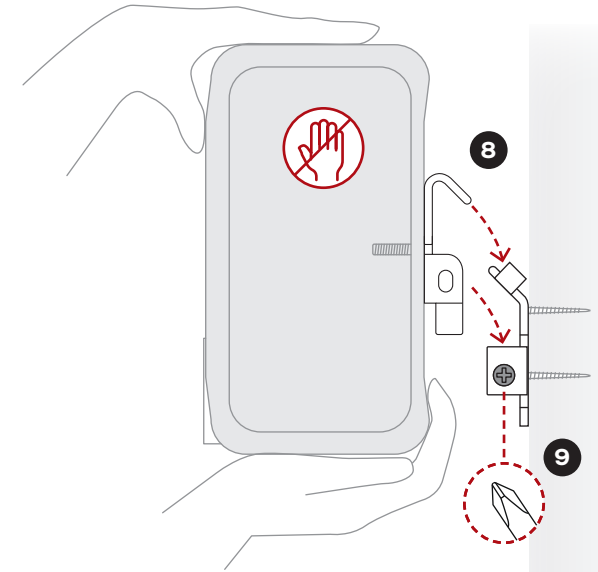


- ⑦ VEGAを持ち上げ、底面（および壁掛け用ブラケット）を壁側に向けてください。



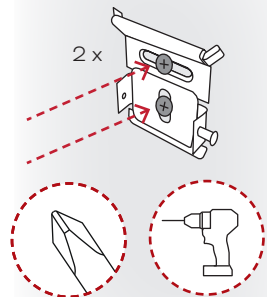
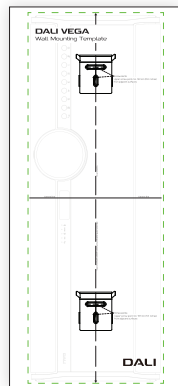
- ⑧ VEGAを慎重に持ち上げ、壁のブラケットにしっかりと引っ掛けます。

- ⑨ プラスドライバーを使い、安全ネジを締めて本体を固定してください。

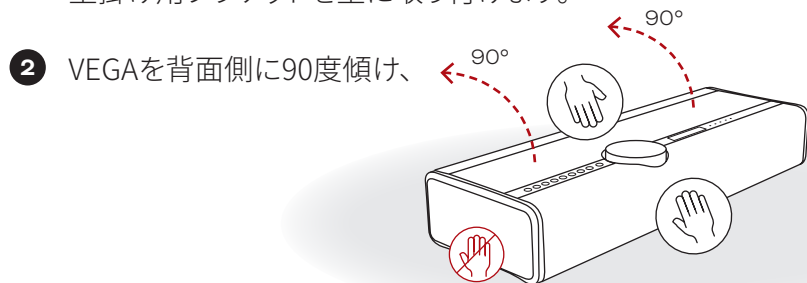


7. DALI VEGAの壁掛け設置

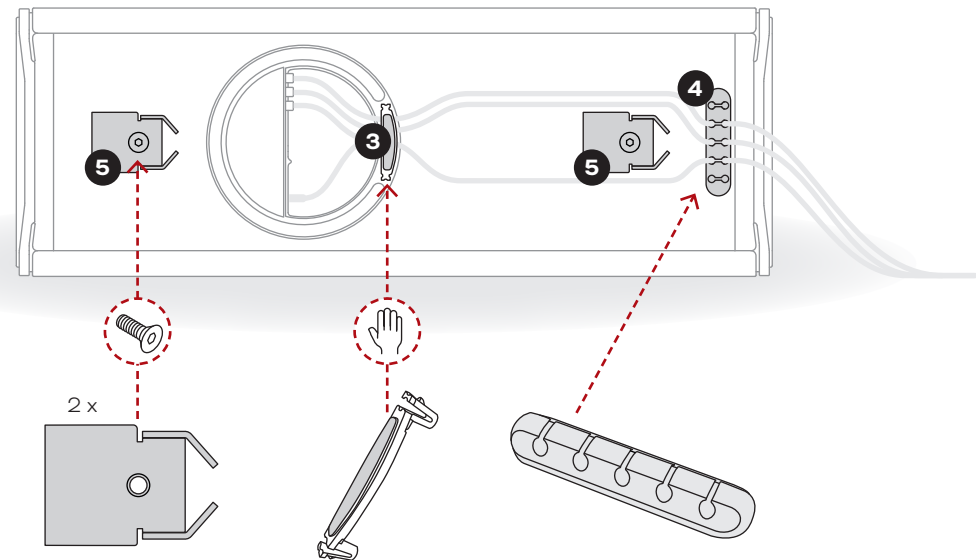
縦向き(1/2)



- 1 付属の縦向き用壁掛けテンプレートを使い、ドリルで開ける穴(各ブラケット2か所)に印を付け、2つの壁掛け用ブラケットを壁に取り付けます。



- 2 VEGAを背面側に90度傾け、

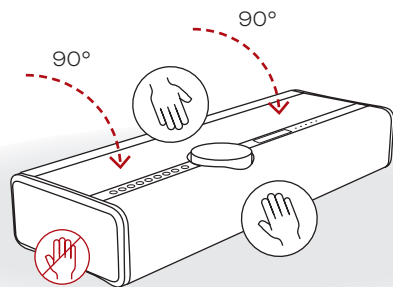


- 3 ケーブルクリップを取り外し、ケーブルを接続してから、クリップを元に戻します。
- 4 粘着式のケーブルホルダーを貼り付け、ケーブルを通します。
- 5 VEGA本体に、縦向き設置用の壁掛けブラケットを取り付けてください。

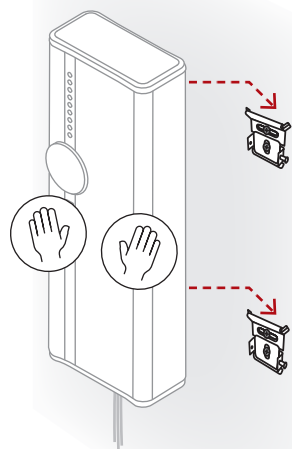
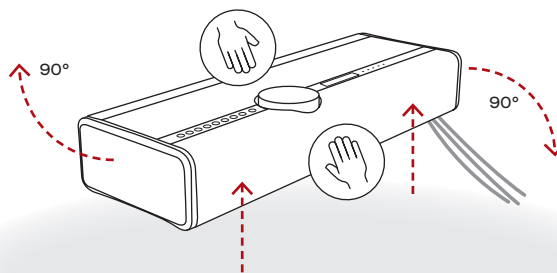
7. DALI VEGAの壁掛け設置

縦向き (2/2)

⑥ VEGAを元の向きに戻します。

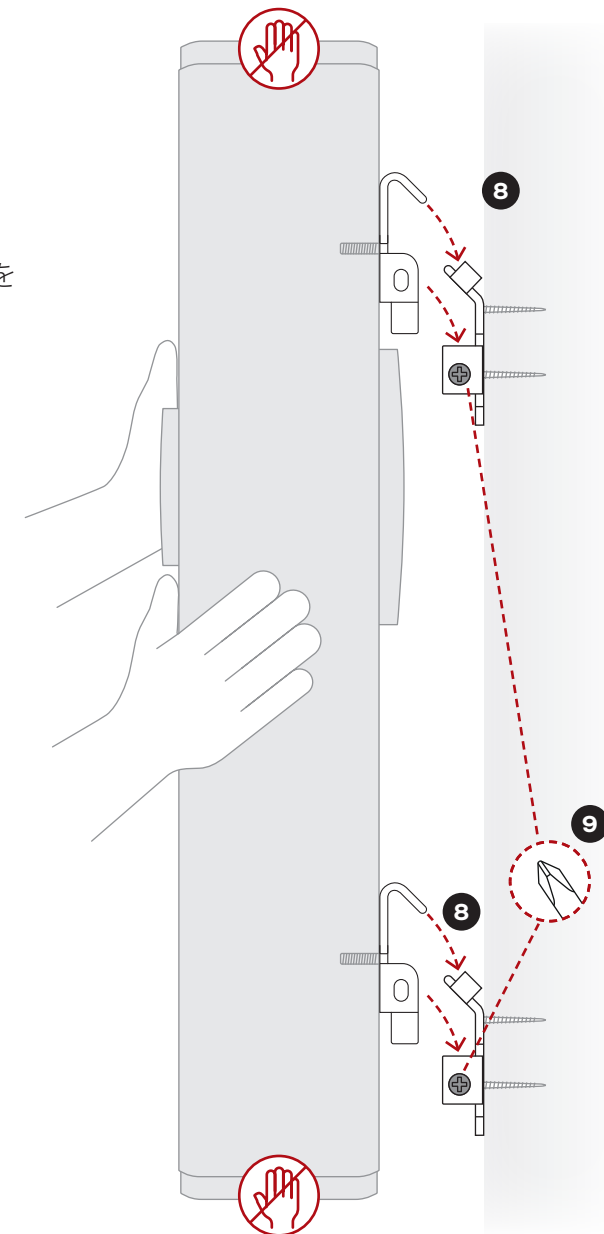


⑦ VEGAを持ち上げ、底面 (壁掛け用ブラケットを含む) を壁側に向け、時計回りに回転させて縦向きにします。



⑧ VEGAを慎重に持ち上げ、壁のブラケットにしっかりと引っ掛けます。

⑨ プラスドライバーを使い、安全ネジを締めて本体を固定してください。



8. 有線接続

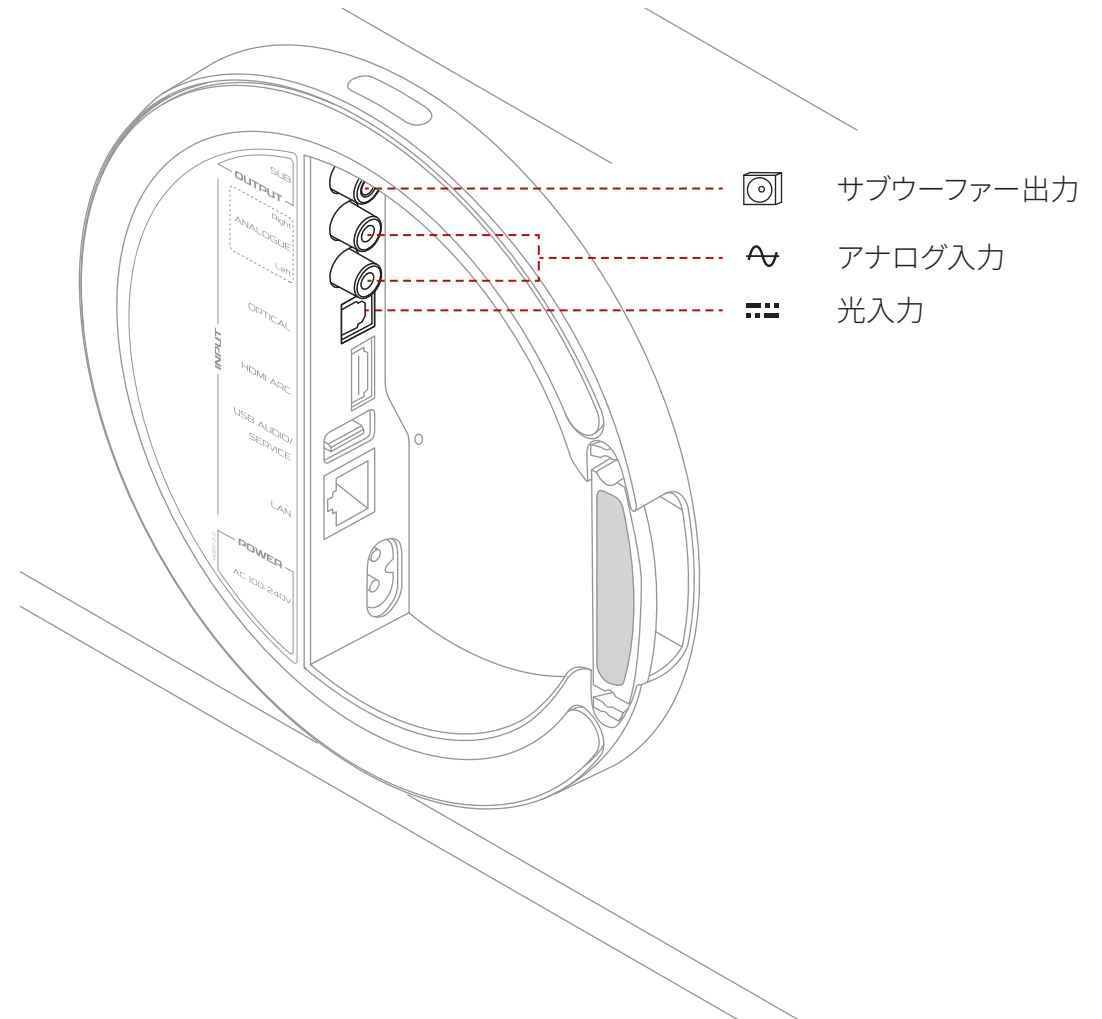
DALI VEGAは、ご家庭のオーディオシステムに組み込むための、多様な接続方法をご提供します。

有線接続端子は接続パネルにあり、以下の種類があります。

サブウーファー出力:1系統のRCAフォノ端子で外部サブウーファーを接続し、DALI VEGAの低音性能を強化できます。サブウーファーの出力信号はモノラルで、120Hzのローパスフィルターが適用されています。

アナログ入力:ステレオ1系統(左右ペア)のRCAフォノ端子には、ラインレベル出力を持つ外部オーディオ機器を接続できます。例えば、CDプレーヤーやフォノイコライザー (RIAA) 内蔵のターンテーブルなどです。

光入力:TOSLINK(光デジタル) 端子には、光デジタル出力を持つ外部オーディオ機器を接続できます。例えば、テレビやCDプレーヤーなどです。



8. 有線接続

HDMI ARC: HDMI ARC (オーディオリターンチャンネル) 端子付きのテレビをお使いの場合、DALI VEGAのHDMI ARC端子に接続してください。また、テレビの設定メニューで、音声出力先として外部スピーカーを選択し、CEC (コンシューマー・エレクトロニクス・コントロール) を有効にする必要がある場合があります。テレビの音声出力フォーマットは「PCM」または「ステレオ」に設定してください。

HDMIとCECを使用することで、お使いのテレビのリモコンでDALI VEGAの音量 (Volume)、ミュート (Mute)、スタンバイ (Standby) 機能を操作できます。

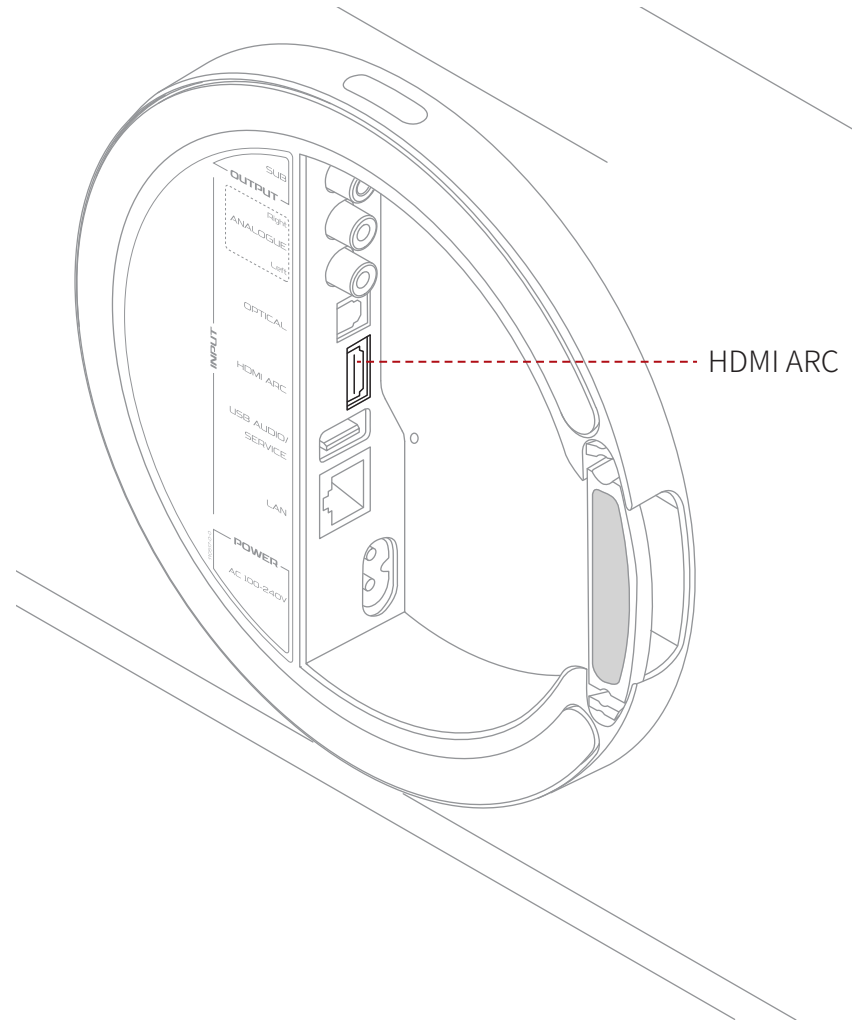
! お使いのテレビがHDMI ARCに非対応の場合、またはHDMIの互換性で問題が発生している場合は、音声は、テレビの光デジタル出力からDALI VEGAに光ケーブルで接続してください。

この方法でも、HDMIケーブルを接続したままにしておくことで、テレビのリモコンでDALI VEGAを操作できます (CEC機能)。

リモコンで基本操作 (音量、ミュート、電源オン/オフ) を行うには、テレビ側の設定でHDMI CECを「有効」にする必要があります。

HDMI CECは、お使いのテレビのメーカーによって呼び方が異なります。

- Samsung: Anynet+
- LG :SimpLink
- ソニー: Bravia Sync
- Phillips: EasyLink
- パナソニック: ビエラリンク
- 日立: HDMI-CEC



8. 有線接続

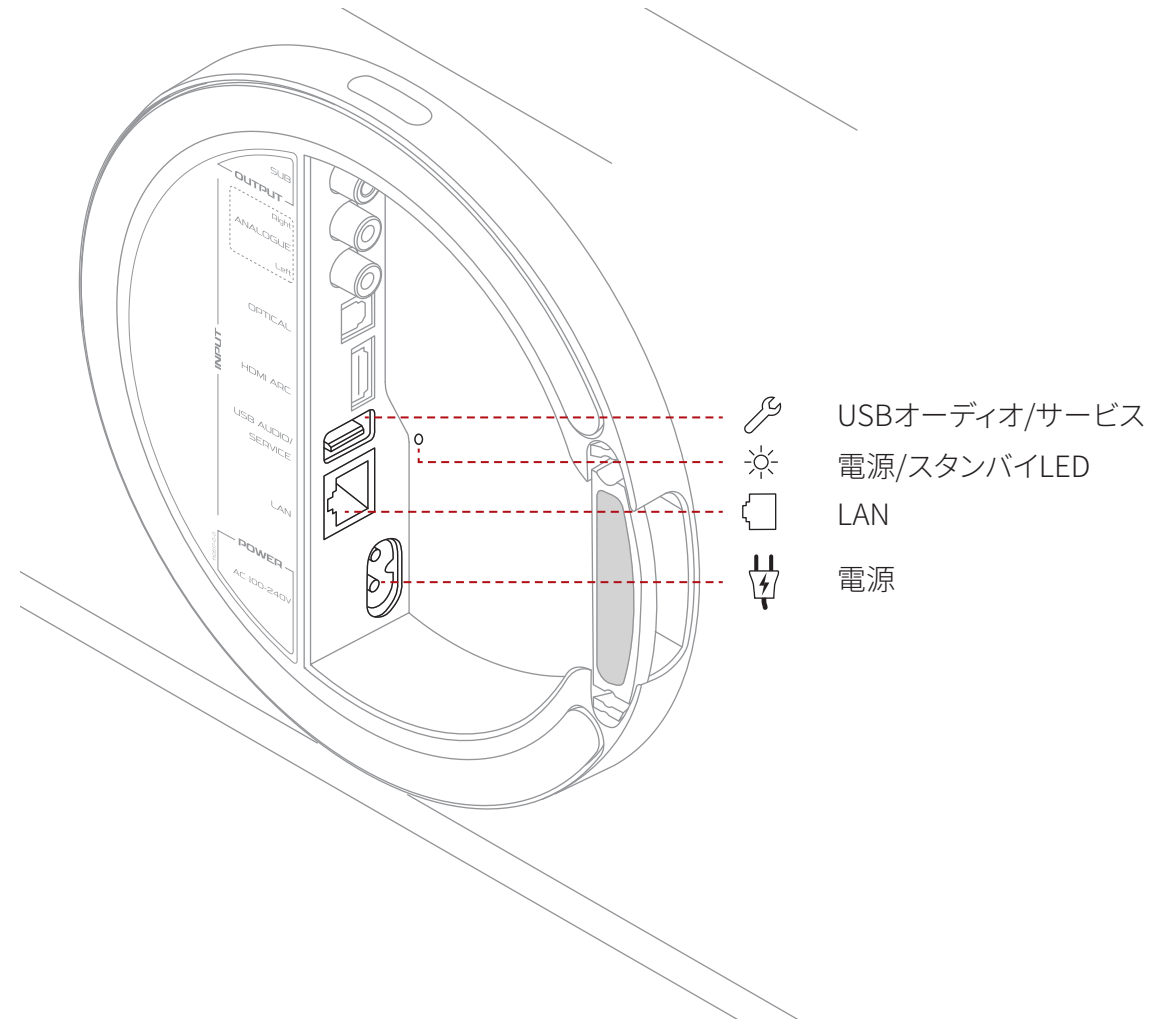
USB端子(オーディオ/サービス):このUSB端子には、主に2つの機能があります。1つ目は、ハードディスクやUSBメモリなどのUSBストレージに保存された音楽ファイルを、DALI VEGAで再生する機能です。また、DALI VEGAが接続されたホームネットワーク上で、BluOSを介してこれらのファイルにアクセスすることも可能になります。2つ目は、ソフトウェアのアップデートやサービス機能に使用する機能です。

→ [BluOSの始め方](#)

電源/スタンバイLED:DALI VEGAの電源の状態を表示します。

LAN(ネットワーク):DALI VEGAのネットワーク端子は、有線接続によりBluOSアプリの音楽ストリーミング機能を提供します。有線で接続する場合は、市販のLANケーブルでネットワーク端子とご家庭のルーターやスイッチを接続してください。

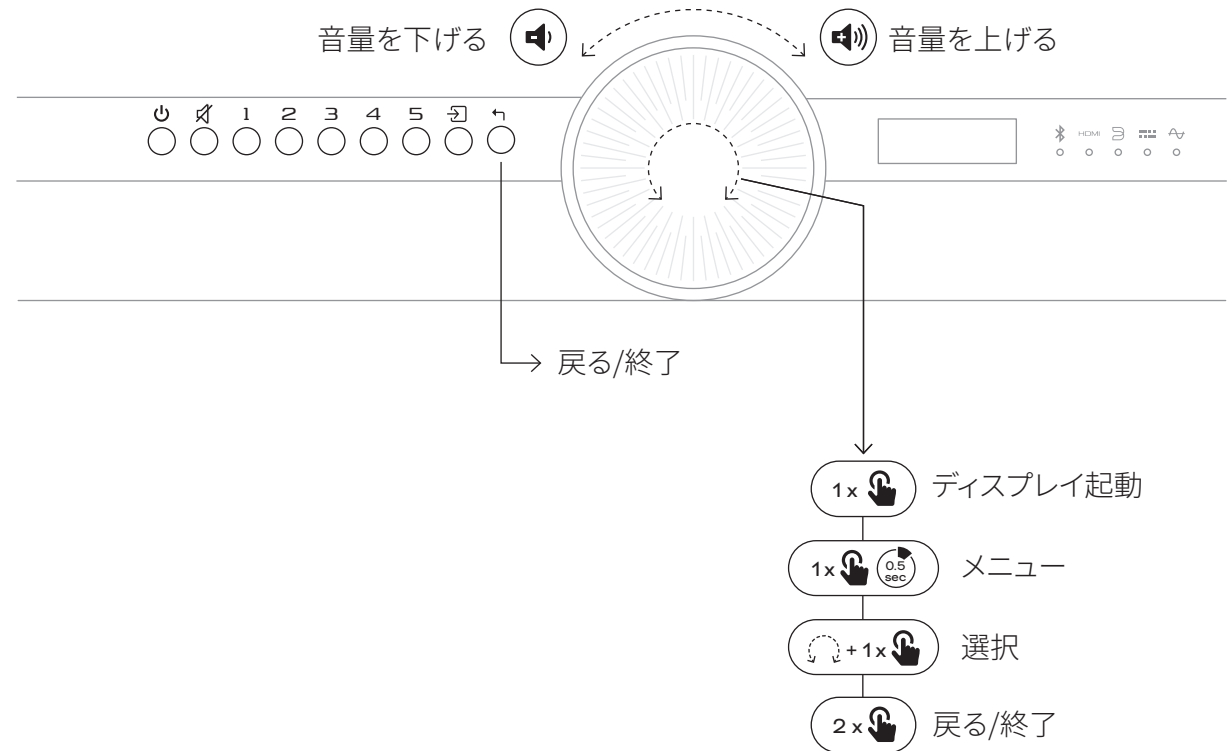
電源:付属の電源ケーブルで、DALI VEGAを電源コンセントに接続してください。



9. DALI VEGAの設定

DALI VEGAの設置、電源、ワイヤレスネットワーク、およびご必要な有線機器への接続が完了しましたら、設定を開始できます。

DALI VEGAはメニュー表示を使って設定します。**ボリュームホイール**を回してメニュー項目を選択し、**ボリュームホイール**の表面をタップして確定します。**ボリュームホイール**の左側にある「戻る/終了」ボタンで、選択項目を保存して設定メニューを一つ前に戻ります。



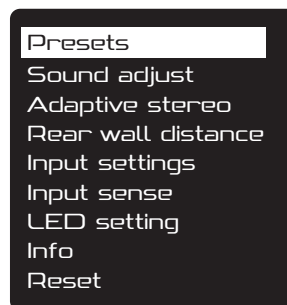
9. DALI VEGAの設定

DALI VEGAのメニュー

DALI VEGAの設定メニューを開くには、**ボリュームホイール**の中央を1回長押しします。ディスプレイに最上位のメニューが表示されます。**ボリュームホイール**を回してメニューを上下にスクロールし、もう一度ホイールの中央をタップすると、メニュー項目を選択してサブメニューに入ります。

各メニューで設定できる項目については、次項以降でご説明します。

! メニュー画面で10秒間何も操作されない場合、ディスプレイは元の画面に戻ります。



Presets (プリセット)

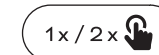
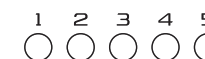
Presetsメニューでは、BluOSアプリで作成したプリセットの表示と呼び出しができます。BluOSアプリを介して、合計10個のプリセットを、ボリュームホイール左側の5個のプリセットボタンに割り当て可能です。

プリセット1～10

プリセットボタンを使うと、登録したラジオ局やストリーミングサービスなどをすぐに選択できます。

ボタンを1回押すと、プリセット1～5が呼び出されます。
ボタンを2回押すと、プリセット6～10が呼び出されます。

追加で保存したBluOSプリセットは、**Presets**メニューから最大40個まで呼び出すことができます。また、現在再生中のインターネットラジオ局やストリーミングサービスなどを、いずれかのプリセットボタンに割り当てて、後からすばやく呼び出すことも可能です。



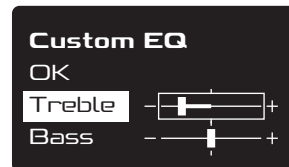
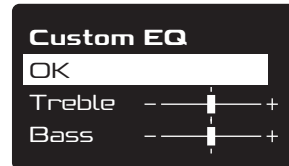
→ [プリセットの追加・削除方法](#)

9. DALI VEGAの設定

Sound adjust (音質調整)

Sound adjustメニューでは、**Direct (ダイレクト)** (DALI VEGAの標準サウンド) または **Custom EQ (カスタムEQ)** (イコライザー) を選択できます。

Custom EQを選択すると、低音と高音の調整画面が表示されます。**ボリュームホイール**を使い、±10dBの範囲で2dB単位で調整できます。

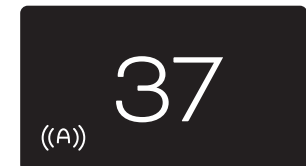
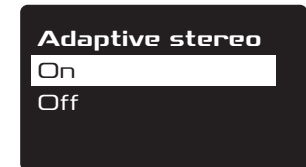


DALI Adaptive Stereo Enhancement™ (状況適応型ステレオ音場強化)

DALI VEGAには、DALI独自の技術であるDALI Adaptive Stereo Enhancement (ASE) が搭載されています。この技術は、コンパクトスピーカーでありながら、より広がりど没入感のある魅力的なサウンドを生み出し、ステレオ体験を向上させます。初期設定では有効になっていますが、お好みで無効にすることもできます。

Adaptive stereoメニューで、この機能の有効/無効を切り替えます。**ボリュームホイール**を使ってご希望の項目を選択してください。

! この機能が有効な場合、メインディスプレイの左下にASEロゴ((A))が表示されます。

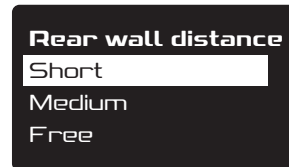


9. DALI VEGAの設定

Rear wall distance (背面壁との距離)

DALI VEGAのサウンドは、他のスピーカー同様、近くの壁などの影響を受けます。**Rear wall distance**メニューでは、壁からの設置距離に応じてサウンドを調整できます。

ボリュームホイールを使い、DALI VEGAの背面からの距離に最も近い項目を選択してください。

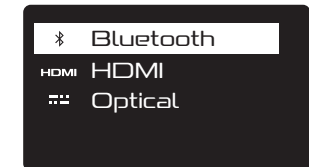


- ! **Short:** 背面壁から10cm未満の場合
- Medium:** 背面壁から10～50cmの場合
- Free:** 背面壁から50cm以上離れている場合

DALI VEGAを壁掛け設置されている場合、**Rear wall distance**メニューは無効になります。

Input settings (入力設定)

Input settingsメニューでは、Bluetooth、HDMI、光デジタルの各入力に固有のオプションを設定できます。



設定オプションは以下のとおりです。

- Bluetooth:** 接続の解除、ペアリング情報の消去。
- HDMI:** 音声遅延。
- 光:** 信号検出、キャリア検出。

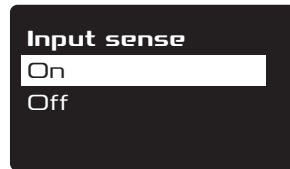
- ! HDMIの音声遅延は、テレビの映像と音声のズレ(リップシンク)を最適化するための機能です。

光デジタルの信号検出とキャリア検出は、DALI VEGAが自動的に光入力を選択する条件を設定します。機器の電源が入った時、または音声信号が入力された時のみ切り替わるよう設定できます。

9. DALI VEGAの設定

Input sense (入力検知機能)

Input senseメニューは、DALI VEGAがいずれかの入力に信号を検知するとスタンバイから電源をオンにし、20分間入力信号がない場合は自動的にシャットダウンする機能です。**Input sense**は有効または無効に設定できます。**ボリュームホイール**を使用して、ご希望のオプションを選択してください。



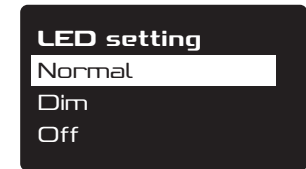
! アナログ入力および光入力は、音声信号が検知されると自動的に選択されます。ただし、input senseが有効(**On**)で、VEGAが現在再生中でない場合に限りです。

Bluetooth入力およびBluOS入力は、接続機器側で再生ボタンが押されると自動的に選択されます。

HDMI ARC入力は、接続されたテレビの電源がオンになり、かつVEGAが現在再生中でない場合に、自動的に選択されます。

LED setting (LED設定)

LED settingメニューでは、DALI VEGAのインジケータLEDの明るさを調整できます。**ボリュームホイール**を使用して、ご希望のオプションを選択してください。

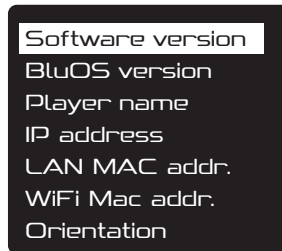


! LED settingメニューが**Off**に設定されている場合、DALI VEGAのLEDは常に消灯し、現在選択中のソースはディスプレイの右下に表示されます。

9. DALI VEGAの設定

Info (情報)

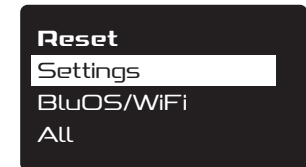
Infoメニューは、トラブルシューティングに役立つシステム情報を表示します。**ボリュームホイール**を使用して必要な情報を選択・表示し、**戻る/終了**ボタンでメニューを終了します。



Reset (リセット)

Resetメニューでは、DALI VEGAのユーザー設定を削除できます。

ボリュームホイールを使用してご希望のオプションを選択し、**戻る/終了**ボタンでメニューを終了します。



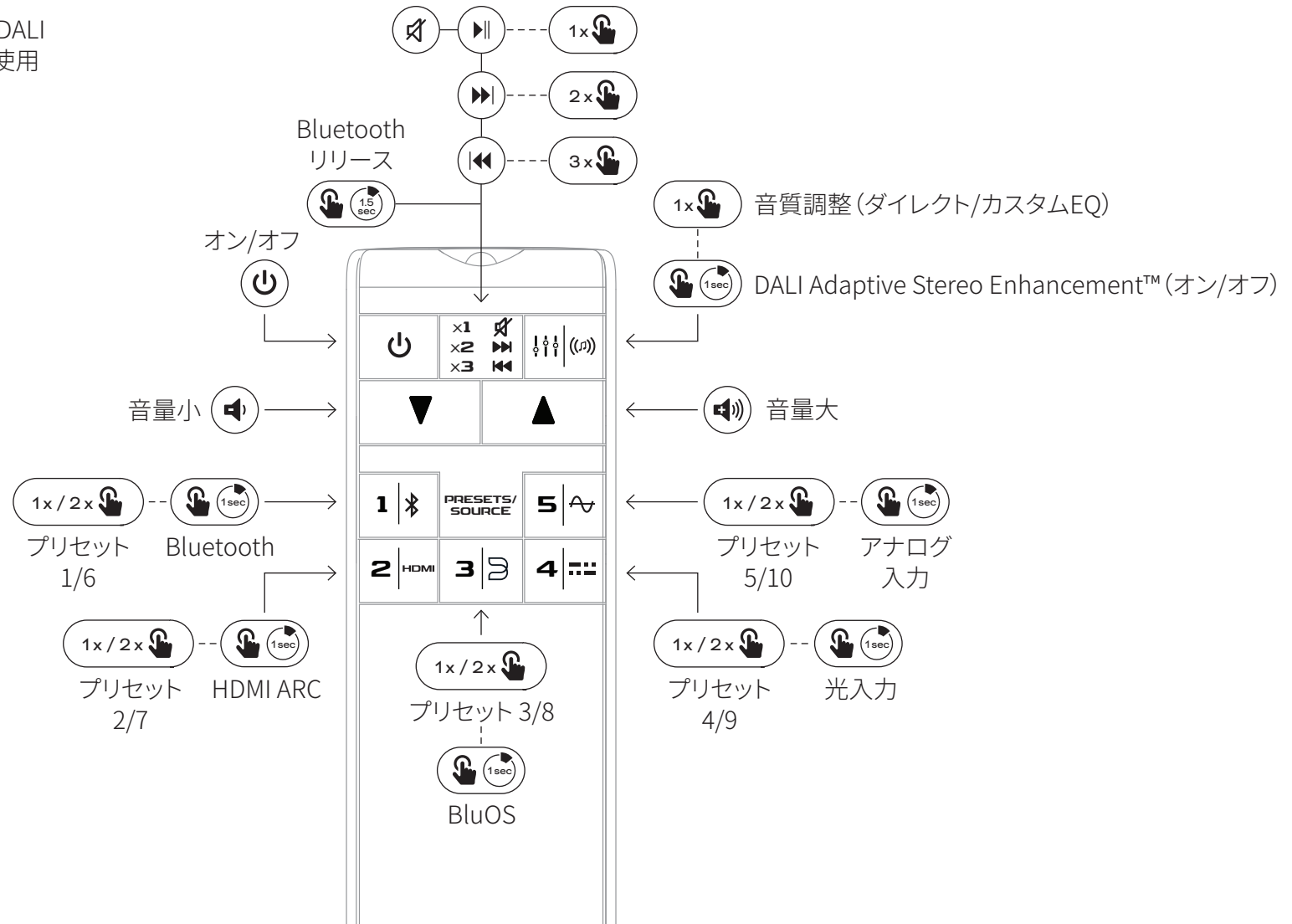
! **Settings**オプションは、BluOSプリセットとWi-Fi設定を除き、Bluetoothペアリングを含むすべてのユーザー設定をリセットします。

BluOS/Wi-Fiオプションは、保存されたBluOSプリセットを削除し、Wi-Fi接続をリセットします。これによりDALI VEGAはBluOSホットスポットモードに戻り、新しいWi-Fi接続の準備ができた状態になります。

Allオプションは、他の2つのリセットオプションを組み合わせたものです。

10. DALI VEGAの基本的な使い方

DALI VEGAリモートコントロールは、DALI VEGAスピーカー本体の最も頻繁に使用される機能を操作できます。



10. DALI VEGAの基本的な使い方

DALI VEGAのボタンとボリュームホイール

DALI VEGA本体の各ボタンの機能は、以下の通りです。

🔌 スタンバイボタン

スタンバイボタンを押すと、DALI VEGAを起動、またはスタンバイに戻します。

! DALI VEGAのスタンバイモードでの消費電力は0.5ワット未満です。

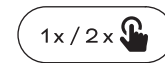
🔇 ミュートボタン

ミュートボタンを押すと、音声を消音または復元します。現在選択中のソースに再生コントロールがある場合、**ミュート**ボタンはその機能を制御します。1回押すと**再生/一時停止**、2回押すと**曲送り**、3回押すと**曲戻し**となります。**ミュート**ボタンを長押しするとBluetoothの接続を解除します。

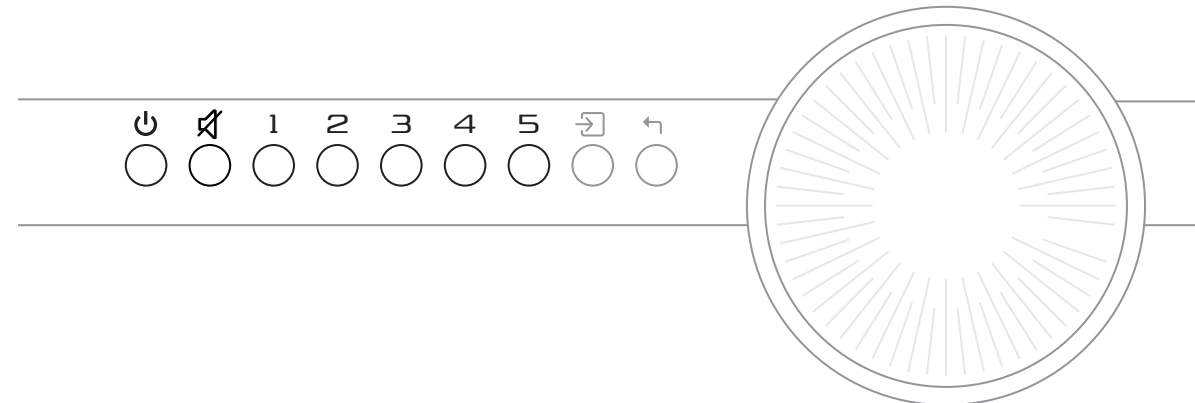


プリセットボタン1～10

プリセットボタンを使うと、登録したラジオ局やストリーミングサービスなどをすぐに選択できます。



ボタンを1回押すと、プリセット1～5が呼び出されます。ボタンを2回押すと、プリセット6～10が呼び出されます。



10. DALI VEGAの基本的な使い方


☞ 入力ボタン


入力ボタンを押すと、利用可能なDALI VEGAの信号入力が以下の順序でスクロールし、選択されます。

 Bluetooth

 HDMI ARC

 BluOS

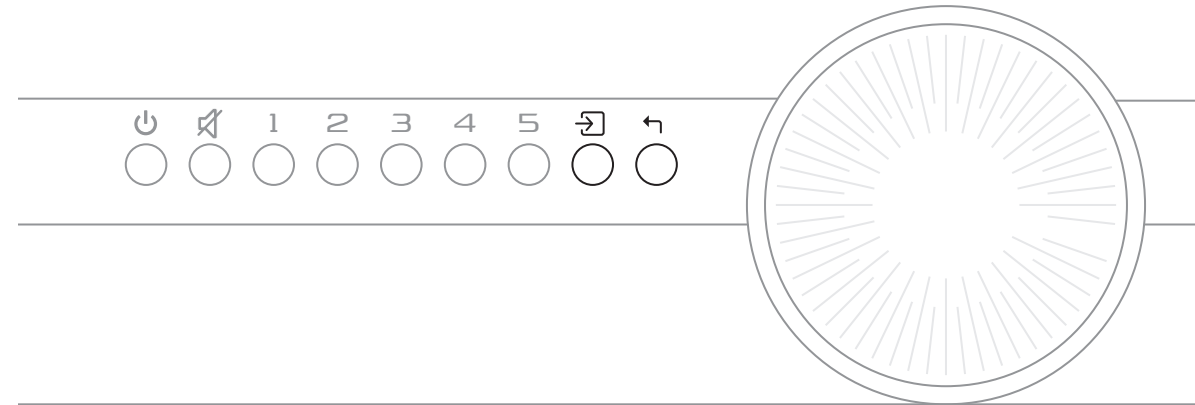
 光入力

 アナログ入力

! 入力ボタンを最初に押すと、現在の信号ソース選択が表示されます。続けて押すと、ソースが切り替わります。

☞ 戻る/終了ボタン

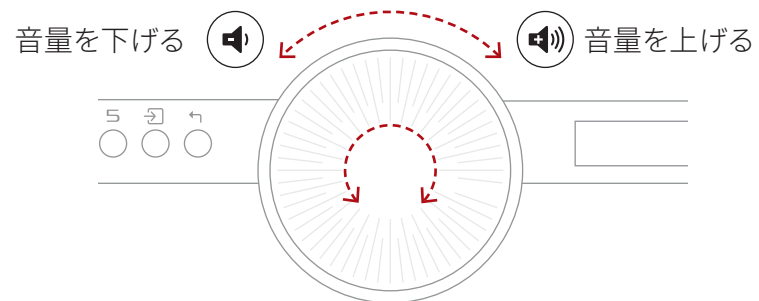
戻る/終了ボタンを押すと、メニューの階層を一つ前に戻ります。



10. DALI VEGAの基本的な使い方

ボリュームホイール

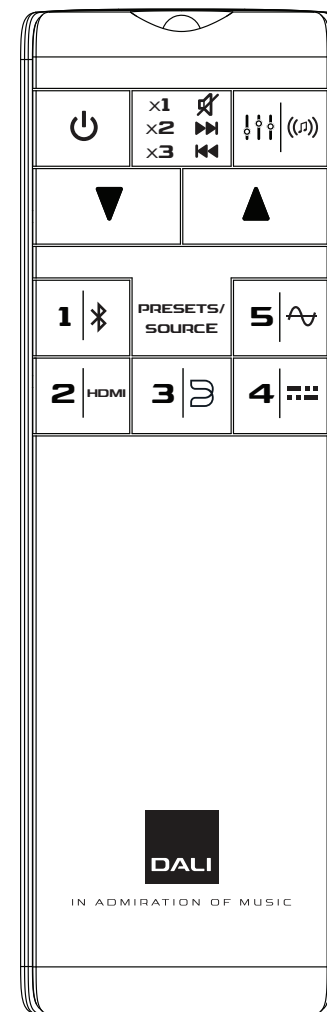
DALI VEGAの電源がオンで、セットアップメニューモードでない場合、**ボリュームホイール**は音量を制御します。時計回りに回すと音量が上がります、反時計回りに回すと音量が下がります。



リモコン

DALI VEGAリモートコントロールは、DALI VEGAスピーカー本体の最も頻りに使用される機能を操作できます。

DALI VEGAリモートコントロールとそのボタン機能は24ページに図解されています。



11. BLUETOOTH接続

11.1 Bluetoothペアリング

BluetoothデバイスをDALI VEGAに接続するには：

1. DALI VEGAの電源を入れます。
2. 入力ボタンを使用してBluetooth入力を選択します。
3. これでDALI VEGAはBluetoothペアリングの準備ができました。
 - a. Bluetooth LEDが点滅している場合、現在デバイスは接続されていません。
 - b. Bluetooth LEDが点灯している場合、デバイスが接続されています。接続中のデバイスを切断するには、Bluetoothリリース（接続解除）機能を使用してください。
 - c. 一度に接続できるBluetoothデバイスは1台のみです。
 - d. お使いのデバイスでBluetoothペアリングを開始してください。ペアリングが完了すると、Bluetooth接続されたデバイスから音楽が再生されます。

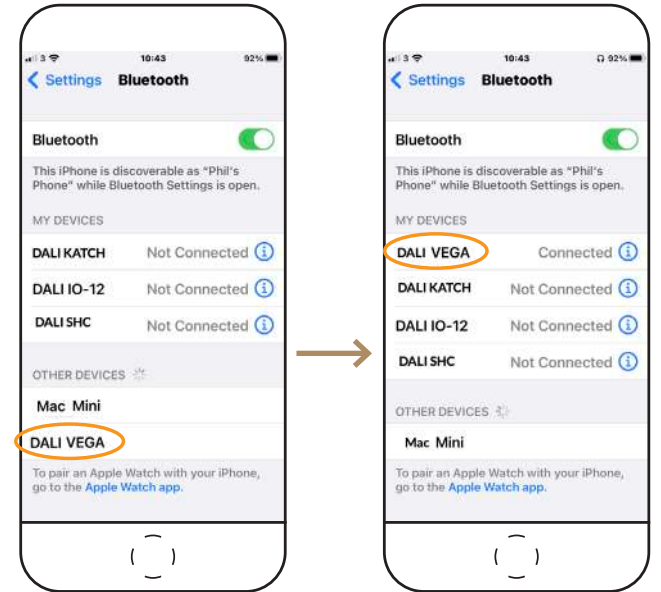
以前にDALI VEGAとペアリングしたことがあり、そのデバイスが通信範囲内にある場合、Bluetoothを選択するとDALI VEGAは最後に使用されたデバイスに自動的に接続します。

DALI VEGAは自動再生を開始しません。再生は、接続されたデバイスから、またはDALI VEGA本体かリモコンのミュートボタンを短く押して開始する必要があります。

11.2 Bluetoothリリース

お使いのデバイスをDALI VEGAとペアリングできない場合：

1. Bluetoothリリース音が再生され、Bluetooth LED (LED 1) が点滅し始めるまで、Bluetoothリリースボタン（ミュートボタン）を長押しします。
2. 接続されていたデバイスが解放され、ペアリングを再開できます。
3. Bluetoothリリースは、メニューシステムの**入力設定** -> **Bluetooth**からも有効にできます。



！ 最大8台のBluetoothデバイスをDALI VEGAとペアリングできます。

！ BluOSアプリでDALI VEGAの名前を変更すると、Bluetooth名もそれに応じて変更されます。












12. お手入れとサポート

DALI VEGAは、ご家庭にある高価な貴重品と同様のお手入れ以上の特別な処置を必要としません。柔らかく乾いた布でケースのほこりを払ってください。

DALIは、洗浄液やスプレーの使用を推奨しません。

13. BLUOSトラブルシューティング

BluOSロゴの横にある多色ライトインジケータは、DALI VEGAのBluOSの状態も示します。

	LEDの表示	状態(意味)
	 赤点灯、その後緑点滅	電源投入中、または再起動中です。
	 緑点灯	ホットスポットモードです (Wi-Fi設定待ちの状態)。
	 緑点滅	ネットワークに接続中です。
	 白のゆっくりした点滅	利用可能なソフトウェアアップデートがあります。
	 赤点灯	アップグレードモードです。
	 赤と緑の交互点滅	アップグレードを実行中です。
	 青点滅	ミュート(消音) 中です。
	 白点灯	ライブラリのインデックスを作成中です。
	 青点灯	ネットワークに接続済みで、BluOSアプリで操作可能です。
	 赤点滅	工場出荷時の状態にリセット(初期化) 中です。
	 紫点灯	ホットスポットモードが時間切れになりました。

さらに詳しい情報が必要な場合は、Bluesoundのサポートページをご参照ください。

[→ Bluesoundサポートページ](#)

14. ファームウェアのアップデート

DALI VEGAを常に最高の状態でお使いいただくため、BluOSアプリを通じてファームウェアのアップデートが不定期に提供されることがあります。ファームウェアをアップデートすることで、パフォーマンスや信頼性を向上させたり、新機能を使用できるようになります。



15. 消費電力

オフラインモード

スタンバイボタンを5秒間押し続けます。これにより、すべての接続が無効になり、もう一度スタンバイボタンを押してVEGAを再起動するまで、消費電力は最小限に抑えられます。

ネットワークスタンバイモード

音声再生が停止し、ユーザーによる操作も行われない状態が20分間続くと、自動的にネットワークスタンバイモードが有効になります。このモードでは、接続されたソースでの音楽再生の開始を含む、あらゆるユーザー操作によってVEGAが自動的に復帰します。

Wi-Fiの無効化

イーサネットケーブルがVEGAに接続されると、ワイヤレスネットワーク機能は自動的に無効になります。

モード	消費電力	有効化	解除
アクティブ(無音)	9.2 W	(「ネットワークスタンバイモード」参照)	(「ネットワークスタンバイモード」参照)
ネットワークスタンバイ (HiNA)	2.9 W	音声再生およびユーザー操作なしで20分経過後、自動的に移行	再生開始を含む、あらゆるユーザー操作
オフライン	<0.7 W	手動(スタンバイボタンを長押し)	手動(スタンバイボタンを押す)

16. DALI VEGAの仕様

DALI VEGA	
周波数範囲	32 - 22,700 Hz, ±3 dB
最大音圧レベル @ 1 m	110 dB
クロスオーバー周波数	2,400 Hz
クロスオーバー原理	2ウェイ8チャンネルアクティブクロスオーバー
トゥイーター	4 × 25mmソフトドーム
トゥイーター	トゥイーター・ダイアフラム
ミッドレンジ・バス	4 × 4½-インチ
ミッドレンジ・バス・ダイアフラム	ペーパー&ウッドファイバーコーン・ドライバー
エンクロージャーのタイプ	質量調整エンクロージャ 長方形パッシブラジエーター x2 (3 × 6 インチ)
パッシブラジエーター・チューニング周波数	32 Hz
アンプのタイプ	クラスD BTL (ブリッジ接続)
連続アンプ出力	8 × 50 W RMS
アンプ総出力	400 W
入力用接続	HDMI ARC x 1 アナログ入力 × 1 (RCAアンバランス、ステレオ) 光入力 × 1 (Toslink、ステレオ) USB入力 × 1 (オーディオ/サービス用、HDD/USBドライブ対応)
出力用接続	サブウーファー出力 USB電源出力 (5V/1A)
サブウーファー出力ローパスフィルター	120 Hz

DALI VEGA	
デジタル入力フォーマット	PCM、ステレオ
ワイヤレス入力	Bluetooth BluOS Spotify Connect Tidal Connect Apple AirPlay 2
対応Bluetoothコーデック	AAC aptX aptX HD
対応BluOSコーデック	MP3 AAC (M4A, MP4) WMA OGG FLAC ALAC (M4A) WMA-L MQA WAV AIFF (AIF, AIFC) PCM DSD256 (PCM変換再生)
サポートされている入力オーディオフォーマット	16~24ビットオーディオ 32 / 44.1 / 48 / 96 / 192 kHzサンプルレート
推奨設置場所	据え置き: 壁から離して設置 据え置き: 壁際に設置 据え置き: 部屋の隅や壁に近づけて設置 壁掛け: 横向き 壁掛け: 縦向き

次のページに続く

16. DALI VEGAの仕様

DALI VEGA

機能	Adaptive Orientation Adjustment DALI Adaptive Stereo Enhancement 最大40個のプログラム可能なプリセット 音質調整 (ダイレクト/カスタムEQ) Rear wall distance (背面壁との距離) Bluetoothペアリング解除/消去 HDMI音声遅延 光信号/キャリア検出 Input sense (入力検知機能) LED setting (LED設定) 工場出荷時設定へのリセット スタンバイ (オートパワー) ミュート 電源オン/オフ 音量 自動音源選択
最大消費電力	250 W
スタンバイ時消費電力	≤ 3 W
寸法 (高さ x 幅 x 奥行)	143 x 683 x 243 mm
出荷時寸法 (高さ x 幅 x 奥行き)	330 x 870 x 200 mm
重量	8.7 kg 19.18 lb
出荷時重量	13.3 kg 29.32 lb
仕上げ	Dark Oak (ダークオーク) Natural Oak (ナチュラルオーク)

DALI VEGA

同梱される付属品	リモコン x 1 単4電池 (リモコン用) x 2 壁掛け用ブラケット (壁) x 2 壁掛け用ブラケット (VEGA) x 2 VEGA壁掛けブラケット用ネジ x 2 M6アーレンキー (六角レンチ) x 1 ケーブルホルダー x 1 電源ケーブル x 1 製品登録カード x 1 クイックスタートガイド x 1 壁掛け用テンプレート x 2 安全上のご注意 x 1
----------	---

技術仕様はすべて予告なしに変更される場合があります。

法的通知/ご注意

以下の名称は、各社の商標または登録商標です。

Bluetooth®	Bluetooth SIG, Inc.
BluOS™	Bluesound International, a division of Lenbrook Industries Limited
HDMI®	HDMI Licensing Administrator, Inc.
Wi-Fi®	Wi-Fi Alliance

DALI VEGA

사용 설명서

버전 1.0 2026년 3월
한국인



목차

1. 소개 344
2. 포장 내용물 345
3. 포장 풀기 346
4. Wi-Fi 연결 및 BluOS 설정 347
5. DALI VEGA의 위치 설정 348
6. 케이블 관리 350
7. DALI VEGA의 벽면 장착 351
8. 유선 연결 356
9. DALI VEGA 구성 359
10. DALI VEGA 사용 방법 365
11. Bluetooth 연결 370
12. 관리 및 지원 371
13. BluOS 문제 해결 371
14. 펌웨어 업데이트 372
15. 소비 전력 373
16. DALI VEGA 사양 374

1. 소개

신제품 DALI VEGA를 구매해주셔서 감사합니다. DALI VEGA는 최첨단 올인원 사운드 시스템이며, 세련된 가정용 싱글박스 오디오의 성능 기준을 정립하도록 설계되었습니다. DALI VEGA는 놀라운 음질과 폭넓은 다기능성, 직관적인 사용 편의성, 독특하고 매력적인 덴마크 럭셔리 디자인이 결합된 제품입니다.

이 사용 설명서는 DALI VEGA의 설정과 작동 방법을 설명합니다.

DALI VEGA를 설치하고 사용하기 전에 설명서를 꼭 읽어야 합니다.

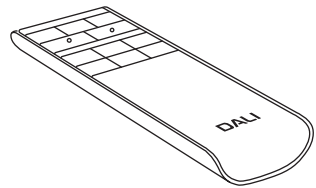
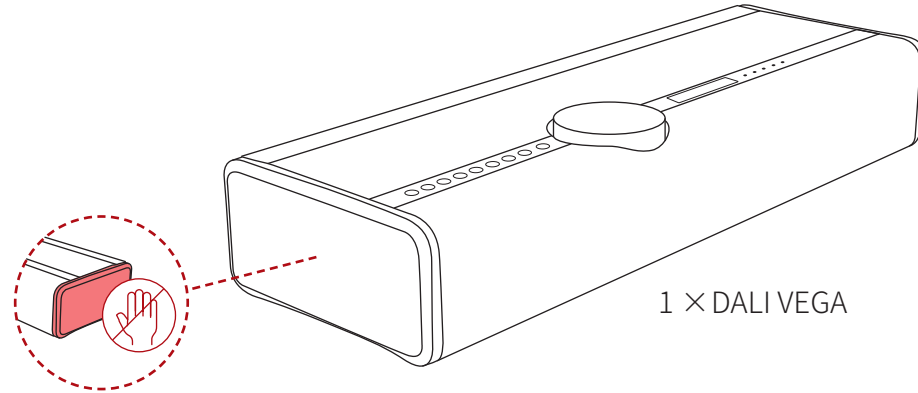
이 설명서는 DALI VEGA의 박스 내용물에 대한 설명으로 시작하여 DALI VEGA의 위치 설정, 연결, 구성, 일상 사용에 대한 내용을 다룹니다.



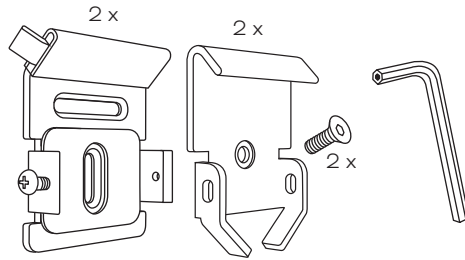
2. 포장 내용물

DALI VEGA의 포장 내용물이 아래 그림에 나와 있습니다.

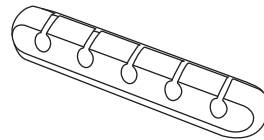
! DALI VEGA의 양쪽 끝에 있는 패시브 라디에이터 드라이버를 만지지 않도록 주의하십시오.



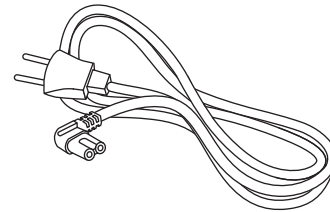
1 × 리모컨
2 × AAA 배터리(리모컨용)



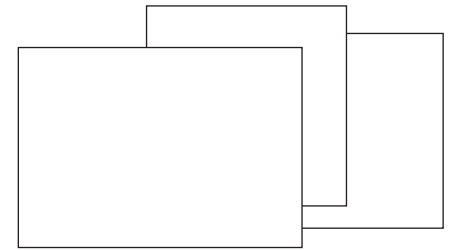
2 × 벽면 브래킷(벽면용)
2 × 벽면 브래킷(VEGA)
2 × VEGA 벽면 브래킷용 나사
1 × M6 육각 렌치



1 × 케이블 홀더

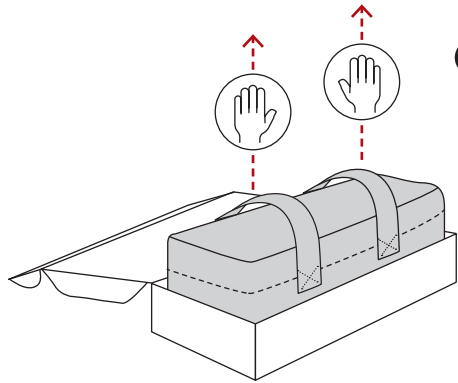


1 × 전원 케이블

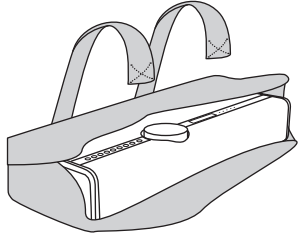


1 × 제품 등록 카드
1 × 빠른 시작 안내서
2 × 벽면 장착 템플릿
1 × 안전 설명서

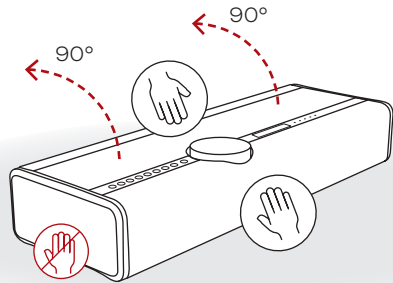
3. 포장 풀기



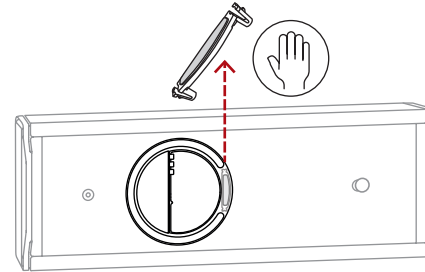
- 1** 박스 덮개를 열고 스트랩 두 개를 모두 사용하여 VEGA를 상자에서 들어 올리십시오.



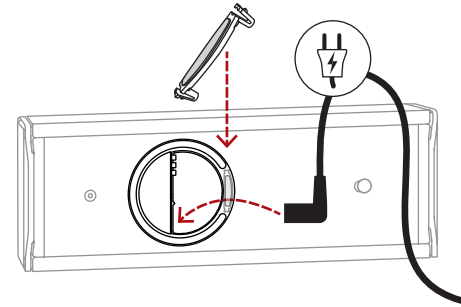
- 2** 벨크로 스트랩을 풀고 커버를 분리하십시오.



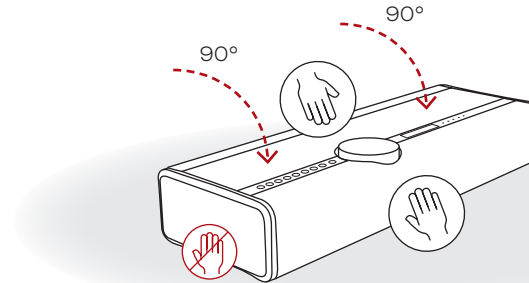
- 3** 뒷면이 옆을 보도록 VEGA를 90도 기울이십시오. 케이블 클립을 열어 분리하십시오.



- 4** 전원 케이블과 기타 추가 케이블을 모두 연결하십시오.



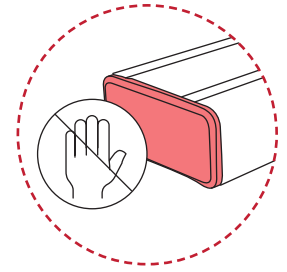
- 5** 케이블 클립을 낀 다음 VEGA를 다시 발이 아래로 가도록 돌리십시오.



- 6** 이제 VEGA를 Wi-Fi에 연결할 준비가 되었습니다.

! 중요!

포장을 풀 때 패시브 라디에이터를 만지지 않도록 주의하십시오.



4. WI-FI 연결 및 BLUOS 설정

1 DALI VEGA 전원 켜기

BluOS LED가 "핫스팟" 모드를 나타내는 녹색으로 계속 켜질 때까지 기다리십시오.

2 BluOS 앱 설치

스마트폰이나 태블릿을 사용하여 BluOS 앱을 다운로드하고 여십시오.



3 네트워크에 DALI VEGA 추가

"플레이어 추가" 마법사가 BluOS 설정을 완료하는 단계를 안내합니다.



bluesound.com/downloads로 이동하여 앱을 다운로드하십시오
초기 네트워크 설정은 스마트폰이나 태블릿에서 BluOS 앱을 사용하여 실행됩니다. 시작하기 전에 앱을 다운로드하고 설치했는지 확인하고, 스마트폰이나 태블릿을 가까이에 두십시오.

! iOS 장치를 사용하는 경우 iOS Wi-Fi 설정의 "새 AirPlay 스피커 설정" 옵션을 통해 DALI VEGA를 Wi-Fi 네트워크에 연결할 수도 있습니다.



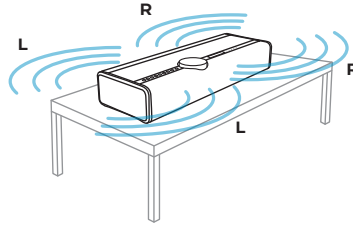
! DALI VEGA의 LAN(네트워크) 소켓을 홈 라우터나 네트워크 스위치에 연결했다면 Wi-Fi 연결이 필요 없습니다. BluOS Controller 앱에서 DALI VEGA를 설정할 수 있게 됩니다.

→ [Bluesound 지원 페이지](#)

5. DALI VEGA의 위치 설정

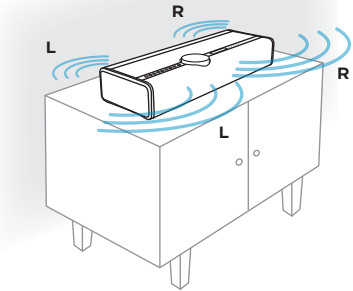
DALI VEGA는 탁월한 다기능성을 제공하므로 가정 내의 다양한 장소에 설치하기에 적합합니다. 예를 들어, 탁자, 가구, 선반 또는 창틀 위에도 놓을 수 있습니다. DALI VEGA 벽면 브래킷 옵션을 사용하면 DALI VEGA를 벽에 가로 또는 세로 방향으로 장착할 수도 있습니다. DALI VEGA를 배치할 때 유일한 필수 조건은 전원 콘센트에 대한 접근성이며, 유선 네트워크 연결을 선호하는 경우 네트워크 라우터 또는 스위치가 필요합니다.

DALI VEGA의 방향에 따라 스탠딩, 가로 방향 또는 세로 방향에 대응하기에 적합하도록 전면 및 후면 라우드 스피커에 대한 스테레오 라우팅이 자동으로 조정됩니다. 디스플레이 방향도 자동으로 회전합니다.



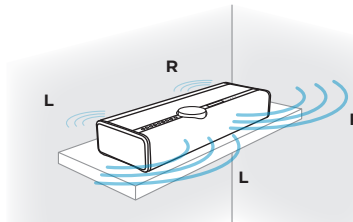
1 스탠딩: 자유 공간

DALI VEGA가 전방과 후방, 양 방향으로 재생됩니다.
권장 후면 벽 거리 설정: **자유**.



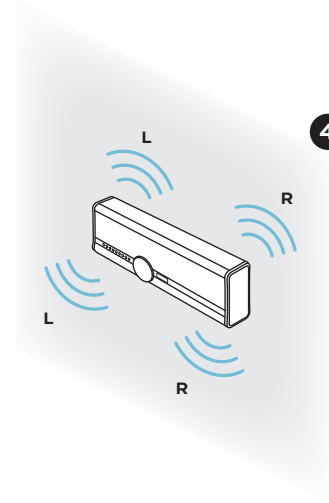
2 스탠딩: 벽 근처

DALI VEGA가 후방보다 전방으로 더 많은 음향을 재생합니다.
권장 후면 벽 거리 설정: **중간**.



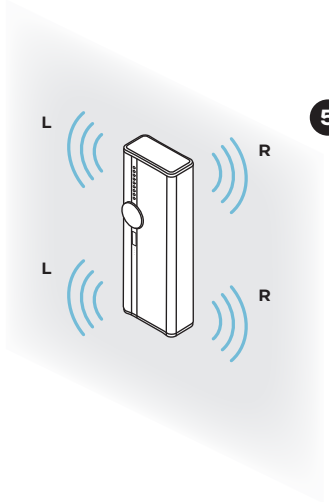
3 스탠딩: 모서리/벽에 가까움

이 모드일 때는 DALI VEGA가 후방으로 훨씬 더 적은 음향을 재생합니다.
권장 후면 벽 거리 설정: **가까움**.



4 벽면 장착: 가로

DALI VEGA가 양 방향으로 재생됩니다.
후면 벽 거리는 자동으로 설정됩니다.



5 벽면 장착: 세로

DALI VEGA가 양 방향으로 재생됩니다.
전면 드라이버는 왼쪽 채널을 재생하고, 후면 드라이버는 오른쪽 채널을 재생합니다.
후면 벽 거리는 자동으로 설정됩니다.

5. DALI VEGA의 위치 설정

Adaptive Orientation Adjustment (적응형 방향 조정)

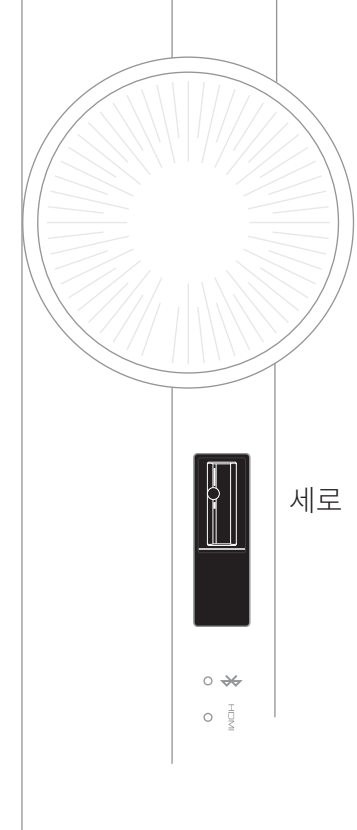
DALI VEGA는 DALI 엔지니어 팀이 자체 개발한 첨단 Adaptive Orientation Adjustment 기술을 적용하여 설계되었습니다. Adaptive Orientation Adjustment를 통해 배치나 장착 방식에 상관없이 DALI VEGA를 어떤 생활 공간에도 완벽하게 통합할 수 있습니다.

내부 방위 센서가 내장되어 있으므로, 선반이나 탁자 위에 세워두든, 가로 또는 세로 모드로 벽에 장착하든 관계없이 VEGA는 장착 방향을 지능적으로 감지합니다. 또한, 최적의 오디오 충실도를 보장할 수 있도록 스테레오 채널 매핑을 자동으로 재구성합니다. 이러한

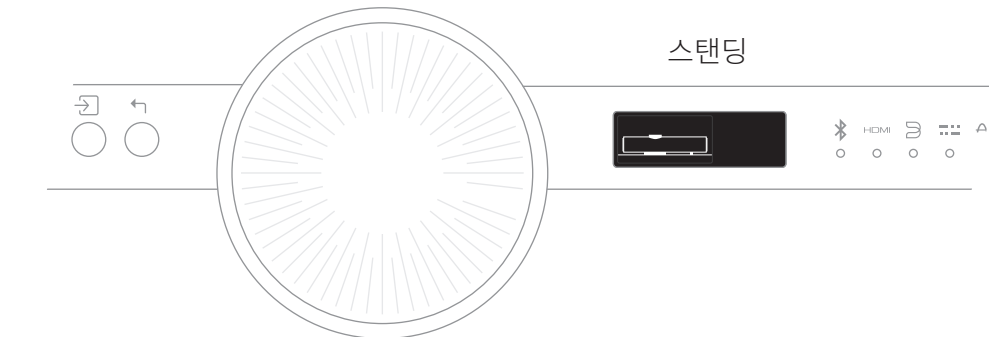
실시간 조정으로 공간 정확도와 스테레오 이미징이 강화되므로 어디에 배치하든 일관적으로 몰입감 넘치는 청취 환경을 제공합니다.

Adaptive Orientation Adjustment는 VEGA의 환경 인식 설계 철학에서 핵심적인 구성 요소로, 사용자 선호도에 맞게 음향 특성을 적응하며 정밀하고 선명하게 음악적 성능을 향상시킬 수 있습니다.

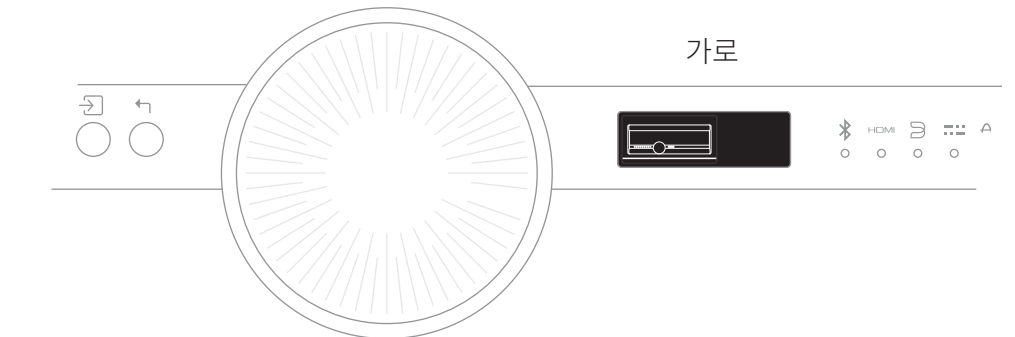
VEGA를 원하는 방향으로 배치하면 VEGA 디스플레이에 로고 세 개 중 하나가 표시되면서 Adaptive Orientation Adjustment 모드가 활성화되었음을 보여줍니다.



세로



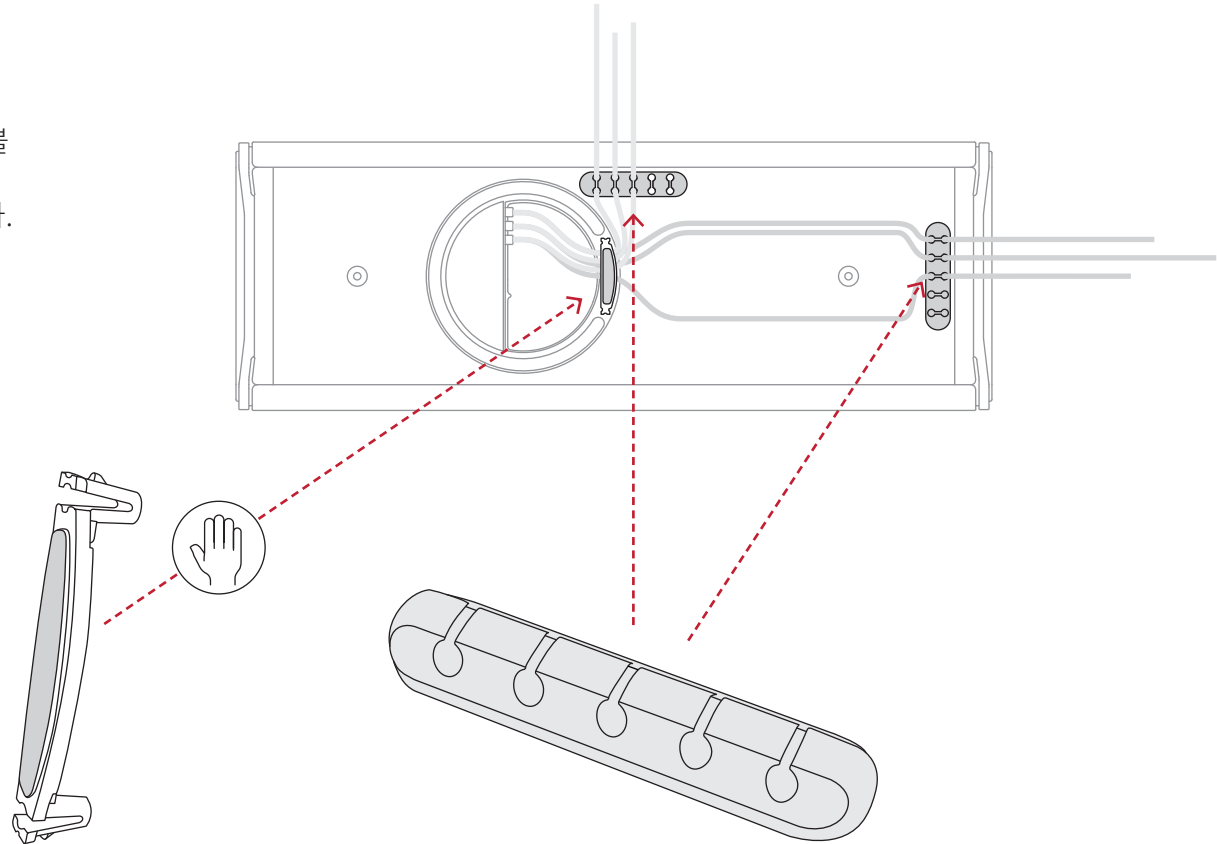
스탠딩



가로

6. 케이블 관리

VEGA 뒷면에는 양쪽 끝을 손가락으로 눌러서 열 수 있는 케이블 클립이 있습니다. 이를 제공되는 케이블 홀더와 함께 사용하면 어떤 방향이나 위치에서든 케이블을 손쉽게 관리할 수 있습니다.



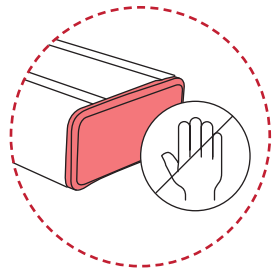
7. DALI VEGA의 벽면 장착

DALI VEGA를 가로 또는 세로 모드로 벽에 장착하려면 제공되는 벽면 브라켓 4개를 사용하십시오.

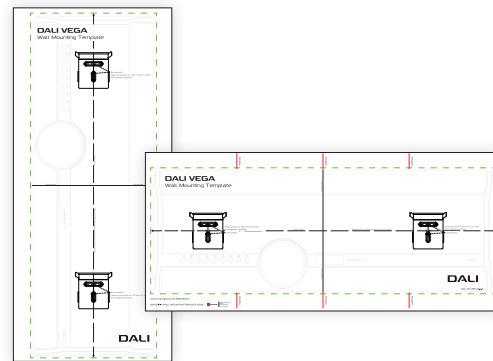
벽면 브라켓 두 개는 M6 육각 렌치를 사용하여 벽면 브라켓 나사로 DALI VEGA 뒷면에 장착됩니다.

나머지 벽면 브라켓 두 개는 적절한 나사 4개(포함되지 않음)를 사용하여 벽에 장착됩니다.

다음 페이지의 단계를 따르십시오.

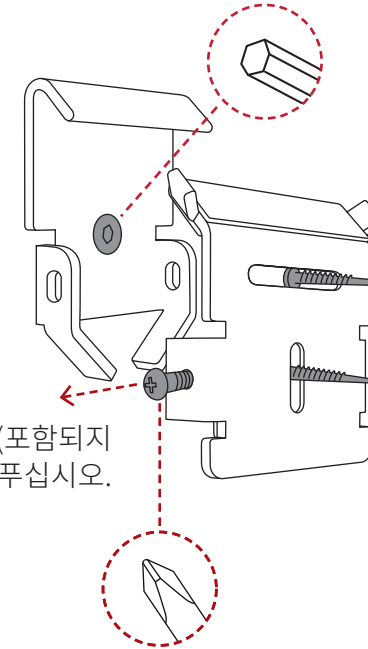


! 장착할 때 패시브 라디에이터를 만지지 않도록 주의하십시오.



DALI VEGA용 브라켓은 각각 브라켓 나사 1개(포함)로 장착됩니다. M6 육각 렌치를 사용하여 브라켓을 제자리에 단단히 고정하십시오.

스피커를 장착하기 전에 십자 드라이버(포함되지 않음)로 안전 나사를 푸십시오.



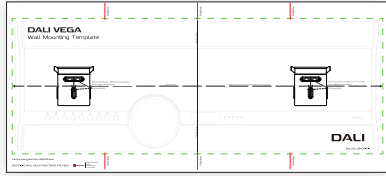
벽면용 브라켓은 벽면 유형에 맞는 나사 두 개(포함되지 않음)로 장착됩니다.

! 포함된 **벽면 장착 템플릿**을 사용하면 벽면 브라켓의 장착 위치를 손쉽게 결정할 수 있습니다.

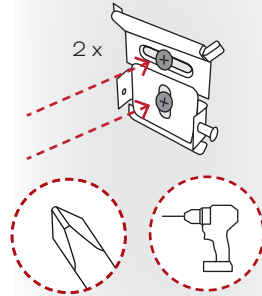
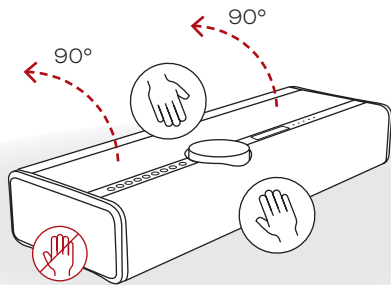
벽면 장착 템플릿 두 개가 포함되어 있으며, 하나는 가로 방향용이고 다른 하나는 세로 방향용입니다.

7. DALI VEGA의 벽면 장착

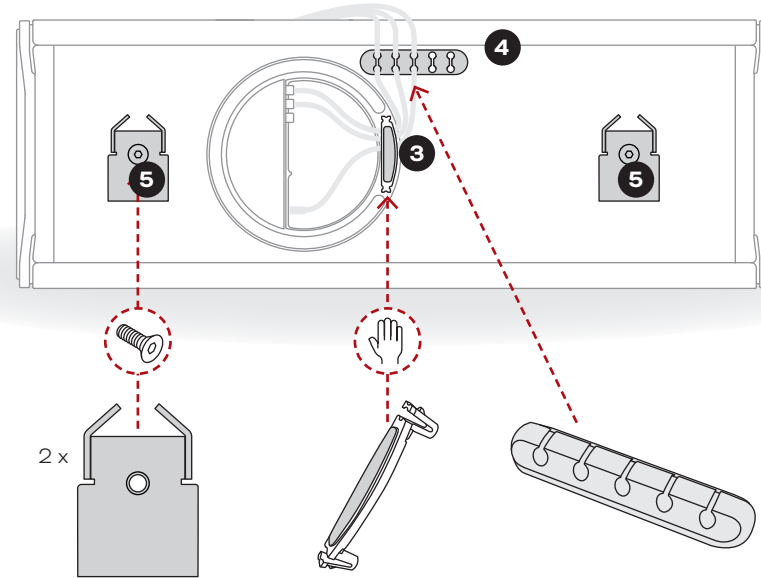
가로 방향(1/2)



- 1 포함된 가로 방향 벽면 장착 템플릿을 사용하여 2x2 드릴 구멍을 표시한 다음, 벽면 브래킷 두 개를 벽에 장착하십시오.
- 2 뒷면이 옆을 보도록 VEGA를 90도 기울이십시오.



! 볼륨 휠이 실수로 굽힐 수 있으므로 VEGA의 앞면이나 윗면을 바닥으로 놓지 마십시오.

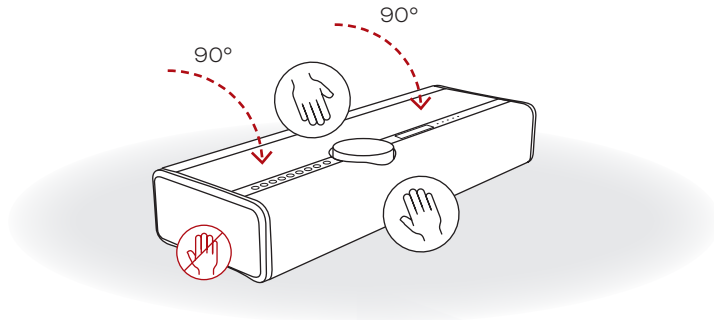


- 3 VEGA 벽면 브래킷을 가로 방향으로 장착하십시오.
- 4 자체 접착 케이블 홀더를 부착하고 케이블을 끼우십시오.
- 5 케이블 클립을 분리하고 케이블을 연결한 다음, 케이블 클립을 다시 부착하십시오.

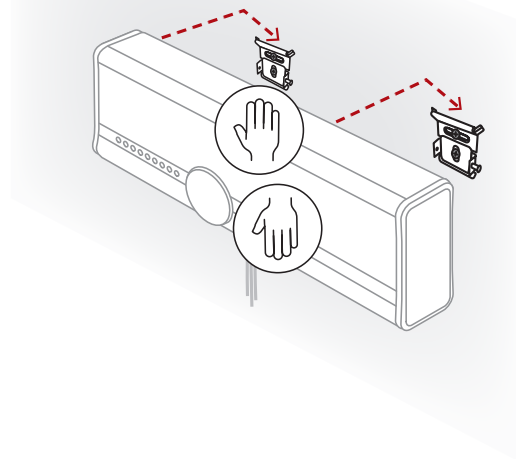
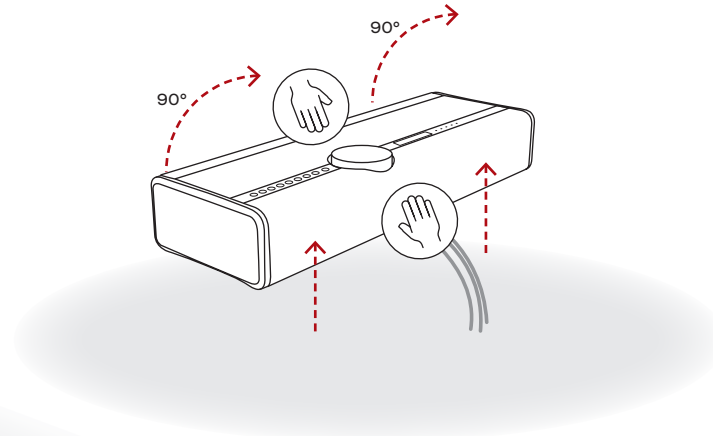
7. DALI VEGA의 벽면 장착

가로 방향(2/2)

6 VEGA를 다시 발이 아래로 가도록 돌리십시오.

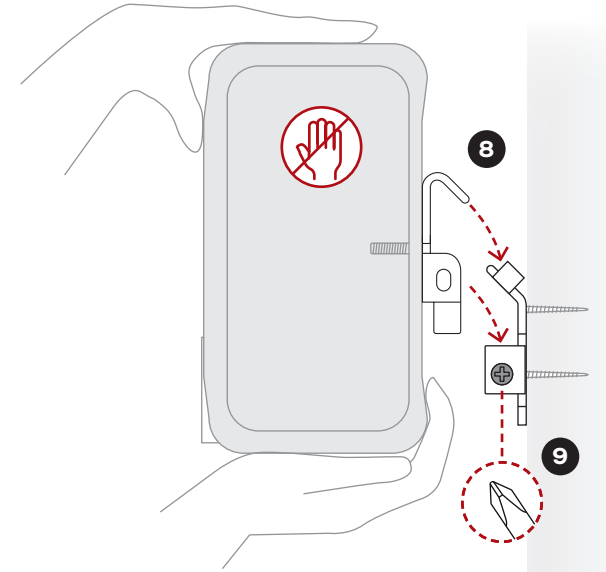


7 VEGA를 들어 올리고 바닥면(및 벽면 브라켓)을 벽 쪽으로 돌리십시오.



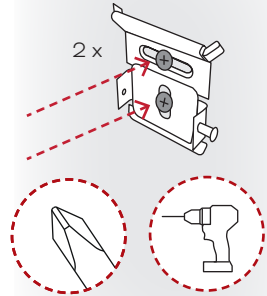
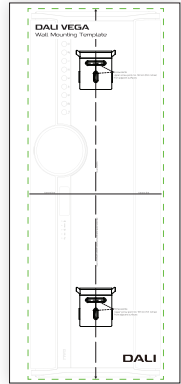
8 VEGA를 조심스럽게 들어 올려 브라켓에 장착하십시오.

9 십자 드라이버를 사용하여 안전 나사를 조이십시오.



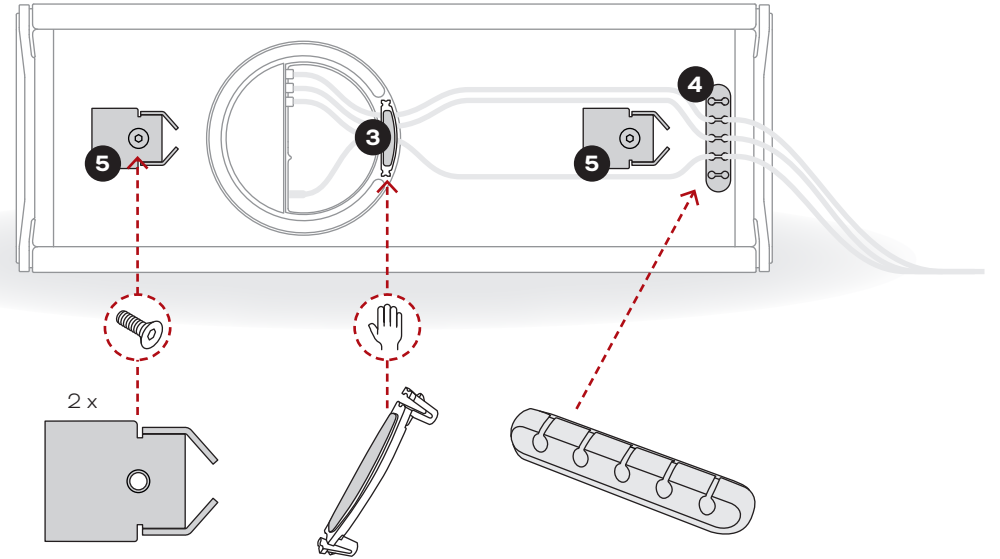
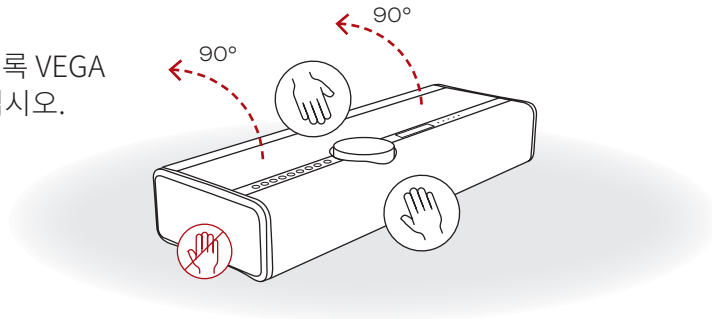
7. DALI VEGA의 벽면 장착

세로 방향(1/2)



- 1 포함된 세로 방향 벽면 장착 템플릿을 사용하여 2x2 드릴 구멍을 표시한 다음, 벽면 브래킷 두 개를 벽에 장착하십시오.

- 2 뒷면이 옆을 보도록 VEGA를 90도 기울이십시오.

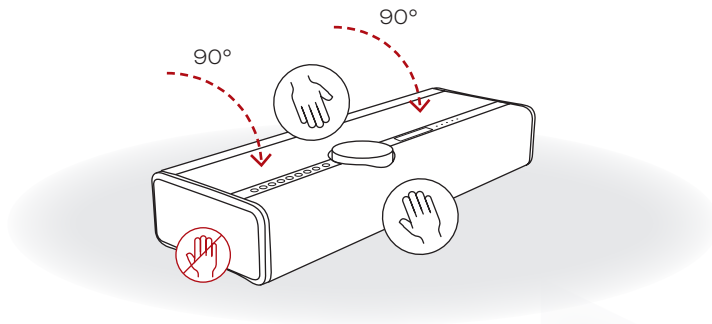


- 3 케이블 클립을 분리하고 케이블을 연결한 다음, 케이블 클립을 다시 부착하십시오.
- 4 자체 접착 케이블 홀더를 부착하고 케이블을 끼우십시오.
- 5 VEGA 벽면 브래킷을 세로 방향으로 장착하십시오.

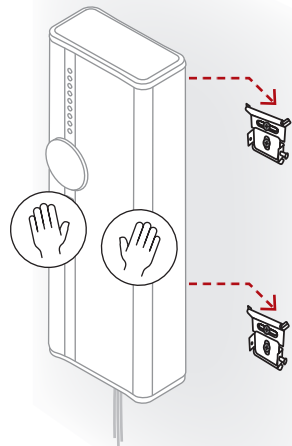
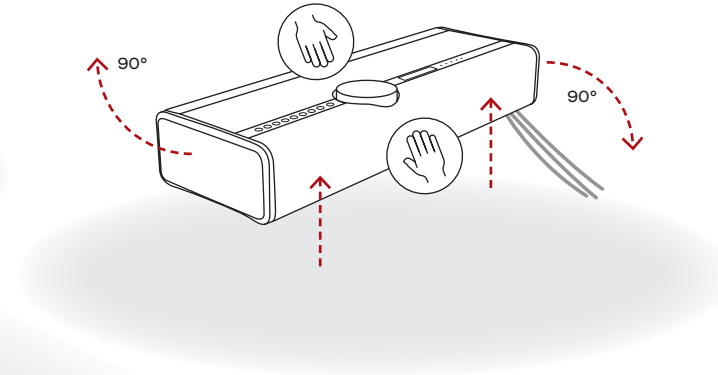
7. DALI VEGA의 벽면 장착

세로 방향(2/2)

6 VEGA를 다시 발이 아래로 가도록 돌리십시오.

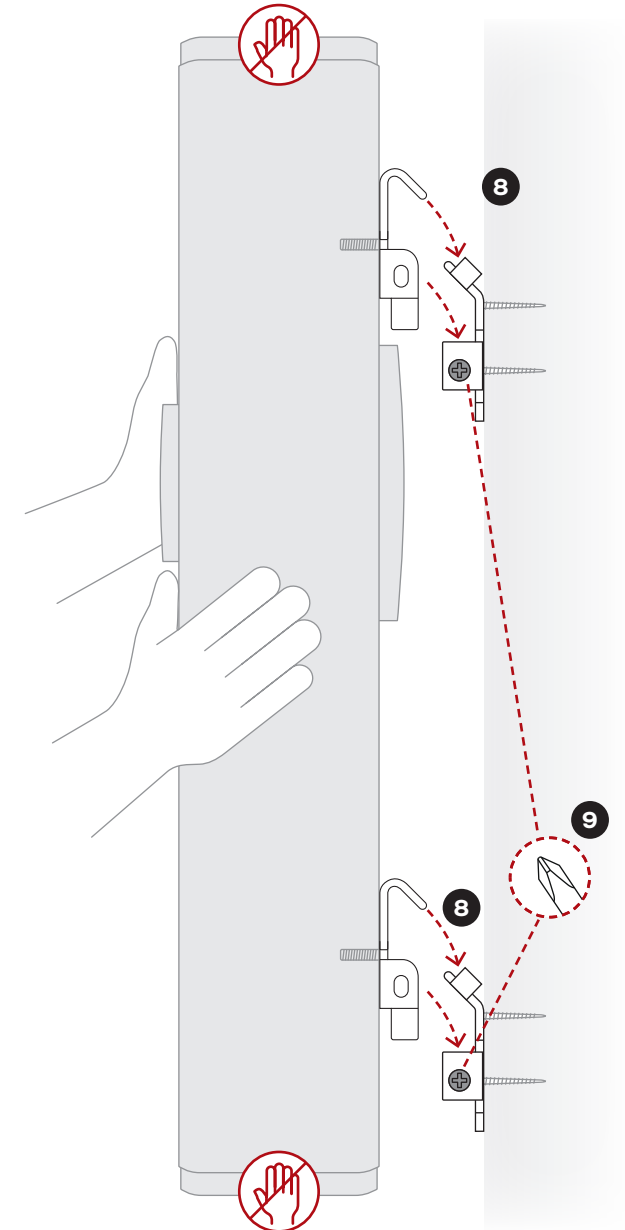


7 VEGA를 들어 올리고, 바닥면(및 벽면 브래킷)을 벽 쪽으로 돌린 후 세로 방향이 되도록 시계 방향으로 돌리십시오.



8 VEGA를 조심스럽게 들어 올려 브래킷에 장착하십시오.

9 십자 드라이버를 사용하여 안전 나사를 조이십시오.



8. 유선 연결

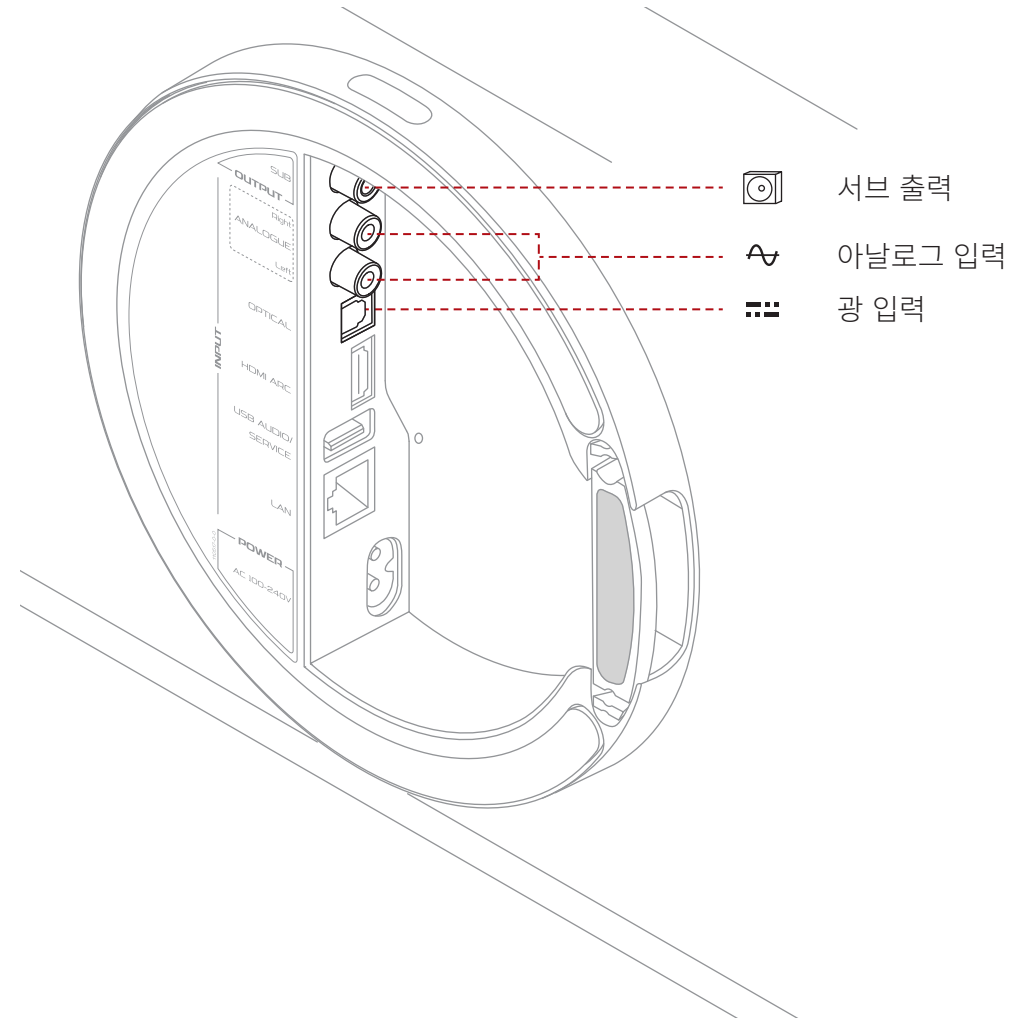
DALI VEGA는 홈 오디오 시스템에 통합할 수 있는 다양한 연결 옵션을 제공합니다.

유선 연결 소켓은 연결 패널에 있으며 다음 옵션이 포함되어 있습니다.

서브우퍼 출력: 외부 서브우퍼를 연결하여 DALI VEGA의 저음 성능을 강화할 수 있는 단일 RCA 포노 소켓입니다. 서브우퍼 출력 신호는 모노이며 최고 120 Hz의 저역 통과 필터가 적용됩니다.

아날로그 입력: 외부 오디오 소스의 라인 레벨 출력을 연결할 수 있는 RCA 포노 소켓의 스테레오 쌍입니다. 외부 소스의 예로는 CD 플레이어나 내장 RIAA 턴테이블이 있습니다.

광 입력: 외부 오디오 소스의 광 디지털 출력을 연결할 수 있는 TOSLINK 광 디지털 오디오 소켓입니다. 외부 소스의 예로는 TV나 CD 플레이어가 있습니다.



8. 유선 연결

HDMI ARC: HDMI ARC(오디오 리턴 채널) 커넥터가 있는 TV를 사용하고 있다면, DALI VEGA의 HDMI ARC 커넥터에 연결하십시오. TV 설정 메뉴에서 오디오를 재생할 외부 스피커를 선택하고 CEC(Consumer Electronics Control)를 활성화해야 할 수도 있습니다. TV 오디오 출력 형식은 “PCM” 또는 “스테레오”로 설정해야 합니다.

HDMI와 CEC를 사용하면 TV 리모컨을 사용하여 DALI VEGA의 볼륨, 음소거, 대기 기능을 제어할 수 있습니다.

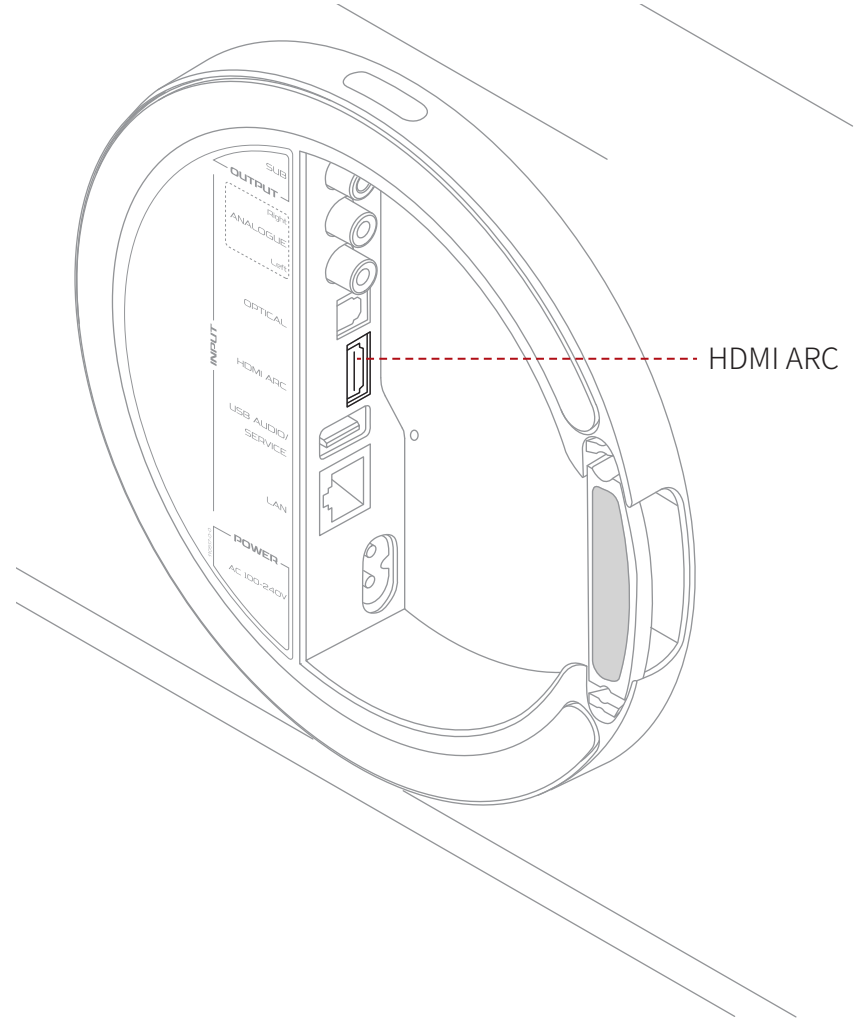
! TV가 HDMI ARC를 지원하지 않거나 HDMI 호환성 문제가 있다면, DALI는 TV의 광 오디오 출력을 DALI VEGA에 광 케이블로 연결할 것을 권장합니다.

이 시나리오에서도 HDMI 연결을 사용하여 TV 리모컨으로 CEC를 통해 DALI VEGA를 제어할 수 있습니다.

HDMI를 통해 TV 리모컨으로 DALI VEGA의 기본 기능(볼륨, 음소거, 전원 켜기/끄기)을 제어하려면 TV에서 HDMI CEC를 활성화해야 합니다.

TV 브랜드에 따라 HDMI CEC의 이름이 다릅니다.

- 삼성: Anynet+
- LG: SimpLink
- Sony: Bravia Sync
- Phillips: EasyLink
- Panasonic: Viera Link
- Hitachi: HDMI-CEC



8. 유선 연결

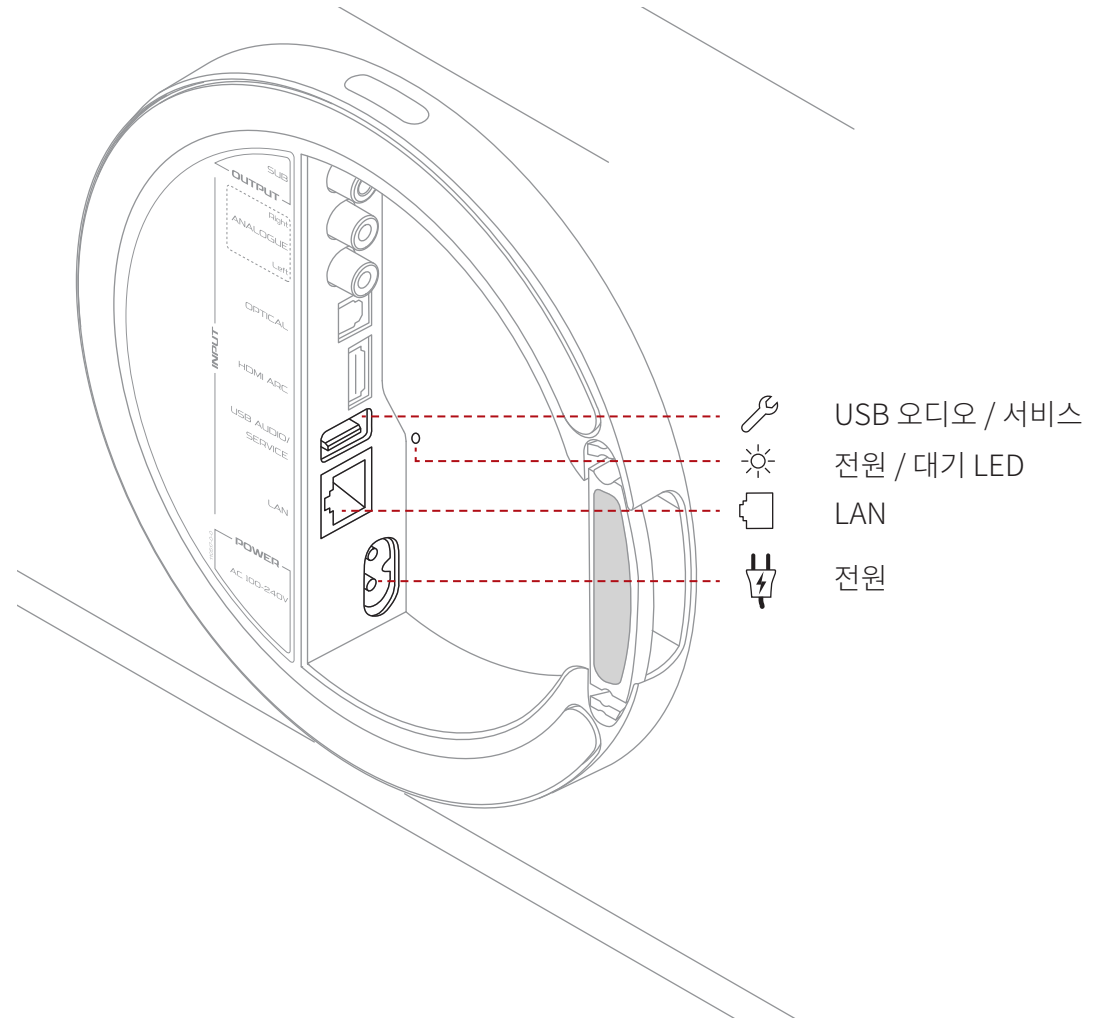
USB 오디오/서비스: DALI VEGA USB 소켓에는 두 가지 기능이 있습니다. 첫째, 하드 드라이브나 펜 드라이브와 같은 USB 저장 매체에 저장된 음악 파일을 DALI VEGA에서 재생할 수 있으며, BluOS를 통해 DALI VEGA가 연결된 홈 네트워크에서 해당 파일에 액세스할 수 있습니다. 둘째, DALI VEGA USB 소켓을 통해 소프트웨어 업데이트와 서비스 기능을 사용할 수 있습니다.

→ [BluOS 시작하기](#)

전원 / 대기 LED: 전원/대기 LED는 DALI VEGA의 전원 상태를 나타냅니다.

LAN(네트워크): DALI VEGA 네트워크 소켓은 유선 네트워크 연결을 통한 BluOS 앱의 음악 스트리밍 기능을 제공합니다. DALI VEGA에서 유선 네트워크 연결을 사용하려면, 표준 네트워크 케이블을 사용하여 네트워크 소켓을 홈 네트워크 라우터나 스위치에 연결하십시오.

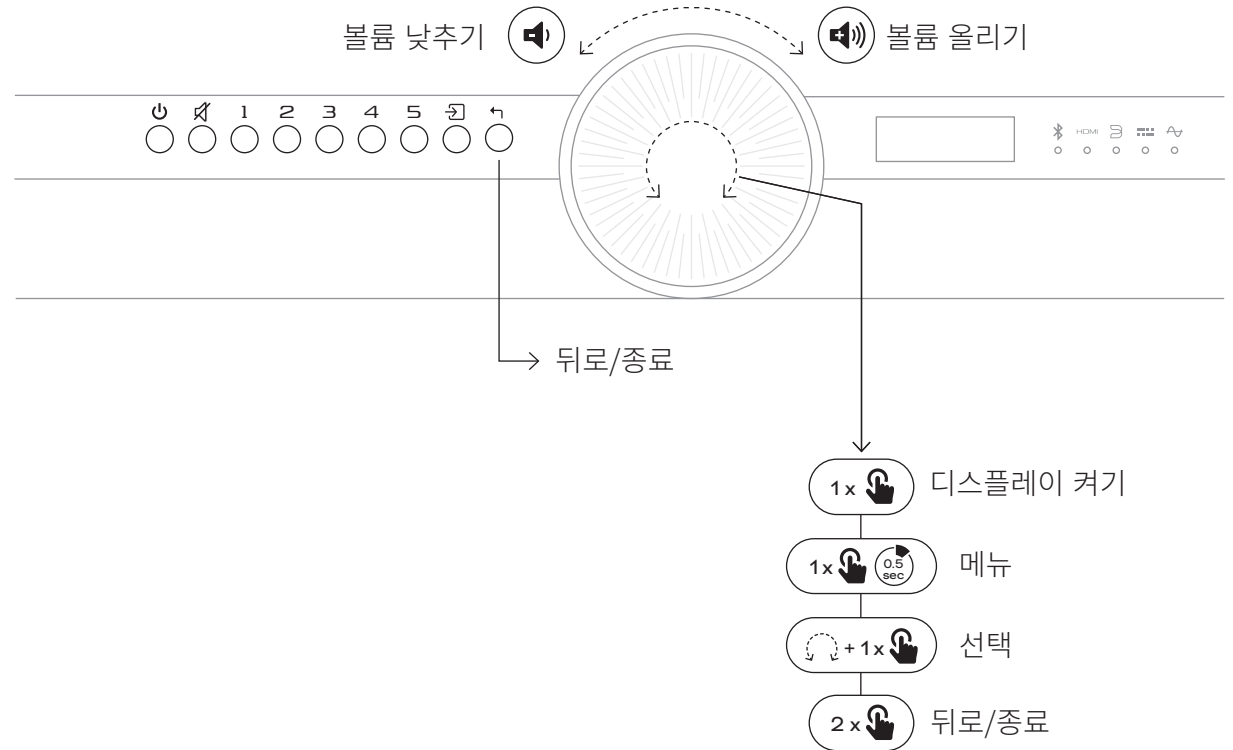
전원: 제공되는 전원 케이블을 사용하여 DALI VEGA를 전원 콘센트에 연결하십시오.



9. DALI VEGA 구성

DALI VEGA를 배치하고 전원 콘센트, 무선 네트워크, 필요한 유선 소스에 연결한 다음 구성을 시작할 수 있습니다.

DALI VEGA는 메뉴 디스플레이를 사용하여 구성할 수 있습니다. **볼륨 휠**을 사용하여 메뉴 옵션을 선택하십시오. **볼륨 휠** 표면을 탭하여 선택 내용을 확인할 수 있습니다. **볼륨 휠** 왼쪽에 있는 **뒤로/종료** 버튼을 사용하면 선택한 옵션을 저장하는 동시에 설정 메뉴의 이전 단계로 돌아갈 수 있습니다.



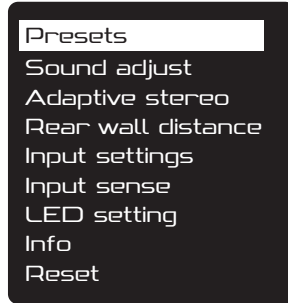
9. DALI VEGA 구성

DALI VEGA 메뉴

DALI VEGA 구성 메뉴에 액세스하려면 **볼륨 휠**의 중앙을 한 번 탭한 채로 길게 누르십시오. 디스플레이에 구성 메뉴의 최상위 단계가 표시됩니다. **볼륨 휠**을 돌려 메뉴를 위아래로 스크롤할 수 있고, 볼륨 휠 중앙을 탭하여 메뉴 옵션을 선택하고 하위 메뉴로 들어갈 수 있습니다.

각 최상위 메뉴 항목에서 사용할 수 있는 구성 옵션은 다음 단락에서 설명합니다.

! 메뉴에서 10초 이내에 아무 것도 선택하지 않으면 DALI VEGA 디스플레이가 처음 화면으로 돌아갑니다.



Presets(프리셋)

Presets 메뉴에 BluOS 앱에서 만든 프리셋이 표시되며 이를 활성화할 수 있습니다. 볼륨 휠 왼쪽에 있는 프리셋 버튼 5개에 BluOS 프리셋 총 10개를 할당할 수 있습니다(BluOS 앱을 통해).

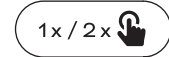
프리셋 1~10

Presets 버튼을 사용하면 라디오 방송국이나 스트리밍 서비스 등 저장된 항목을 즉시 선택할 수 있습니다.

한 번 누르면 프리셋 1~5가 활성화됩니다.
두 번 누르면 프리셋 6~10이 활성화됩니다.

추가로 저장된 BluOS 프리셋은 **Presets** 메뉴에서 찾을 수 있으며, 최대 40개의 프리셋을 활성화할 수 있습니다. 인터넷 라디오 방송국이나 스트리밍 서비스 등 현재 선택한 소스를 프리셋 버튼 중 하나에 할당하여 빠르게 불러올 수 있습니다.

➔ [프리셋 추가 또는 삭제 방법](#)



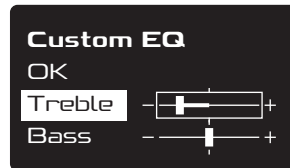
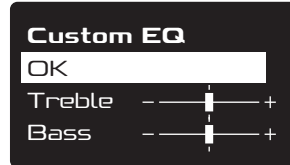
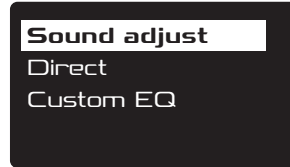
9. DALI VEGA 구성

Sound adjust(사운드 조정)

Sound adjust 메뉴에서 Direct(직접)

오디오(기본 DALI VEGA 사운드) 또는 **Custom EQ(사용자 지정 EQ)**를 선택할 수 있습니다.

Custom EQ 옵션을 선택하면 디스플레이에서 저음과 고음을 2 dB 단위로 +/-10 dB까지 조절할 수 있습니다. **볼륨 휠**을 사용하여 저음과 고음을 조절합니다.

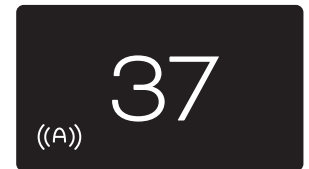


DALI Adaptive Stereo Enhancement™ (적응형 스테레오 확장)

DALI VEGA에는 DALI에서 개발한 ASE(Adaptive Stereo Enhancement) 기술이 통합되어 있으므로, 사운드를 더욱 확장적이고 몰입적이며 매력적으로 만들어 소형 스피커의 스테레오 환경을 확장할 수 있습니다. DALI Adaptive Stereo Enhancement 기능은 기본적으로 활성화되어 있지만 원한다면 비활성화할 수 있습니다.

Adaptive stereo(적응형 스테레오) 메뉴를 통해 Adaptive Stereo Enhancement 기능을 활성화하거나 비활성화할 수 있습니다. **볼륨 휠**을 사용하여 필요한 옵션을 선택하십시오.

- ! Adaptive Stereo Enhancement가 활성화되면 메인 디스플레이의 왼쪽 하단에 ASE 로고 (A)가 표시됩니다.



9. DALI VEGA 구성

Rear wall distance(후면 벽 거리)

다른 스피커와 마찬가지로 DALI VEGA의 사운드도 주변에 공간 경계면이 존재하는지 여부에 영향을 받습니다. **Rear wall distance** 메뉴를 사용하면 벽으로부터의 거리에 따라 DALI VEGA의 사운드를 조정할 수 있습니다.

볼륨 휠을 사용하여 DALI VEGA의 후면 거리에 가장 적합한 옵션을 선택하십시오.

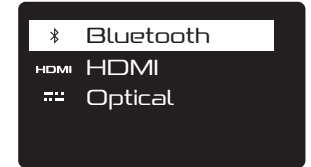


- ! **Short(가까움):** 후면 벽 거리 10 cm(3.9인치) 미만
- Medium(중간):** 후면 벽 거리 10 - 50 cm(3.9 - 19.6인치)
- Free(자유):** 후면 벽 거리 50 cm(19.6인치) 초과

DALI VEGA를 벽면에 장착했다면 **Rear wall distance** 메뉴가 비활성화됩니다.

Input settings(입력 설정)

Input settings 메뉴를 사용하면 Bluetooth, HDMI, 광 입력 각각에 한정적인 옵션을 구성할 수 있습니다.



옵션:

- Bluetooth:** 연결을 해제하고 페어링을 지웁니다.
- HDMI:** 오디오 지연.
- Optical(광):** 신호 감지 및 캐리어 감지.

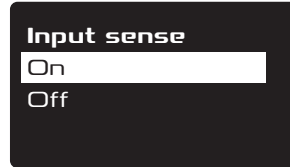
! HDMI 오디오 지연을 통해 TV 립싱크를 최적화할 수 있습니다.

광 입력 신호 감지 및 캐리어 감지 기능을 통해 광 소스가 단순히 켜져 있을 때 또는 오디오 신호가 있을 때만 DALI VEGA에서 광 입력을 자동으로 선택하도록 만들 수 있습니다.

9. DALI VEGA 구성

Input sense(입력 감지)

Input sense 메뉴를 사용하면 어떤 입력에서든 신호가 존재하는 즉시 DALI VEGA가 대기 모드에서 켜지고, 입력 신호가 20분 동안 없으면 자동으로 꺼집니다. **Input sense**는 활성화하거나 비활성화할 수 있습니다. **볼륨 휠**을 사용하여 필요한 옵션을 선택하십시오.



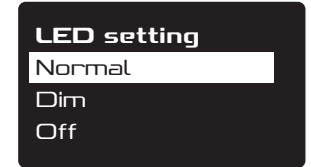
! 입력 감지가 활성화되어 있고 **On**(켜짐) VEGA가 현재 재생 중이 아닐 경우, 오디오 신호가 감지되면 아날로그 및 광 입력이 자동으로 선택됩니다.

소스의 재생 버튼을 누르면 Bluetooth 및 BluOS 입력이 자동으로 선택됩니다.

VEGA가 현재 재생 중이 아닐 때 연결된 TV를 켜면 HDMI ARC가 자동으로 선택됩니다.

LED setting(LED 설정)

LED setting 메뉴를 사용하면 DALI VEGA 표시등 LED의 밝기를 조정할 수 있습니다. **볼륨 휠**을 사용하여 필요한 옵션을 선택하십시오.

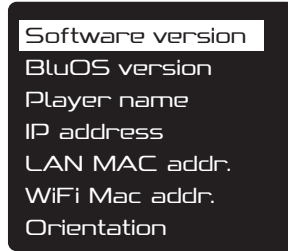


! LED 설정 메뉴를 **Off**(꺼짐)로 설정하면, DALI VEGA LED가 항상 꺼지며 현재 소스 선택 내용이 디스플레이 오른쪽 하단에 표시됩니다.

9. DALI VEGA 구성

Info(정보)

Info 메뉴는 문제 해결에 도움이 될 수 있는 시스템 정보를 표시합니다. **볼륨 휠** 사용하여 필요한 정보를 선택하여 보거나, **뒤로/종료** 버튼을 사용하여 메뉴를 종료할 수 있습니다.



Reset(재설정)

Reset 메뉴를 사용하면 DALI VEGA의 사용자 설정을 삭제할 수 있습니다.

볼륨 휠을 사용하여 필요한 옵션을 선택하거나, **뒤로/종료** 버튼을 사용하여 메뉴를 종료할 수 있습니다.



- ! **Settings(설정)** 옵션은 Bluetooth 페어링을 포함한 모든 사용자 설정을 재설정하지만 BluOS 프리셋과 Wi-Fi 설정은 제외합니다.

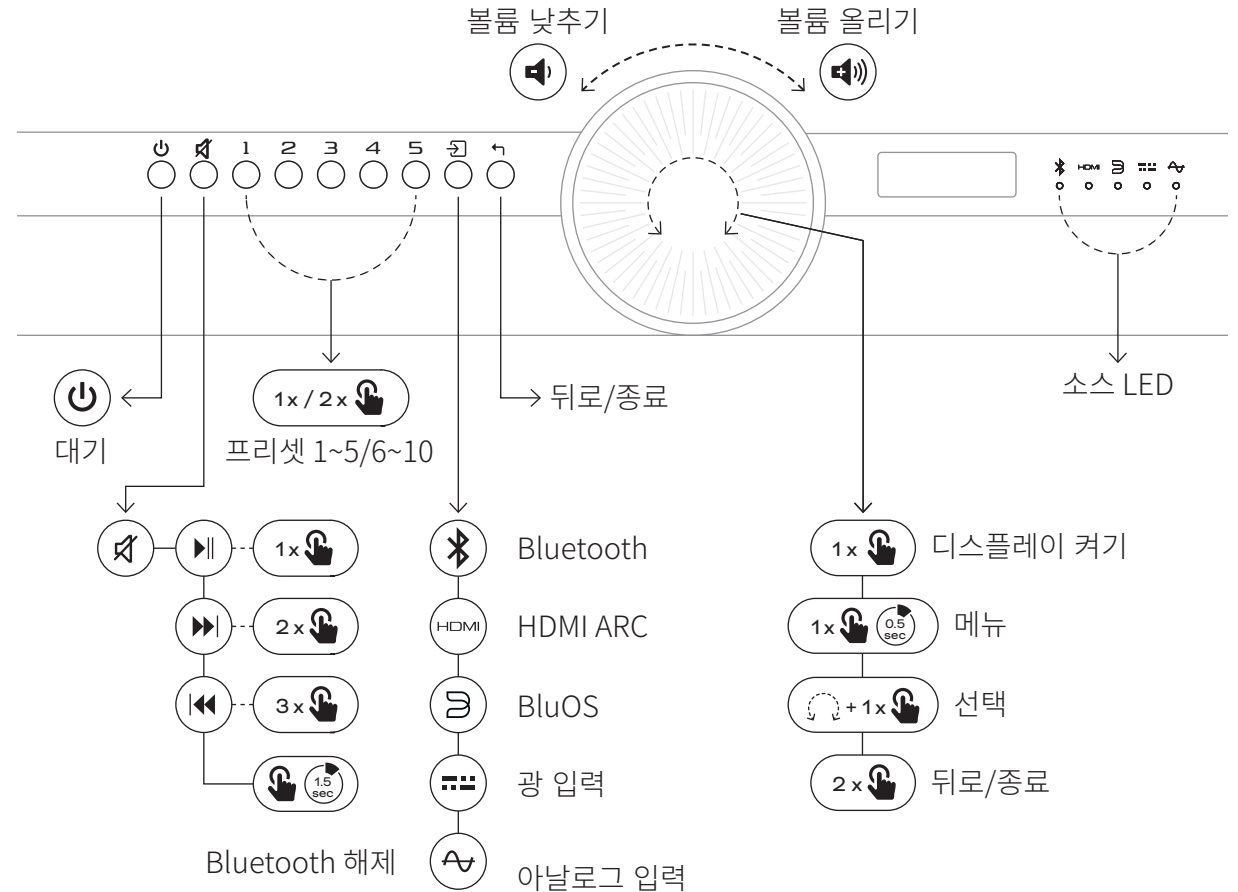
BluOS/Wi-Fi 옵션을 통해 저장된 BluOS 프리셋을 삭제하고 Wi-Fi 연결을 재설정하면, DALI VEGA를 BluOS 핫스팟 모드로 복구하여 새로운 Wi-Fi 연결을 준비할 수 있습니다.

All(모두) 옵션은 나머지 두 가지 재설정 옵션을 결합한 것입니다.

10. DALI VEGA 사용 방법

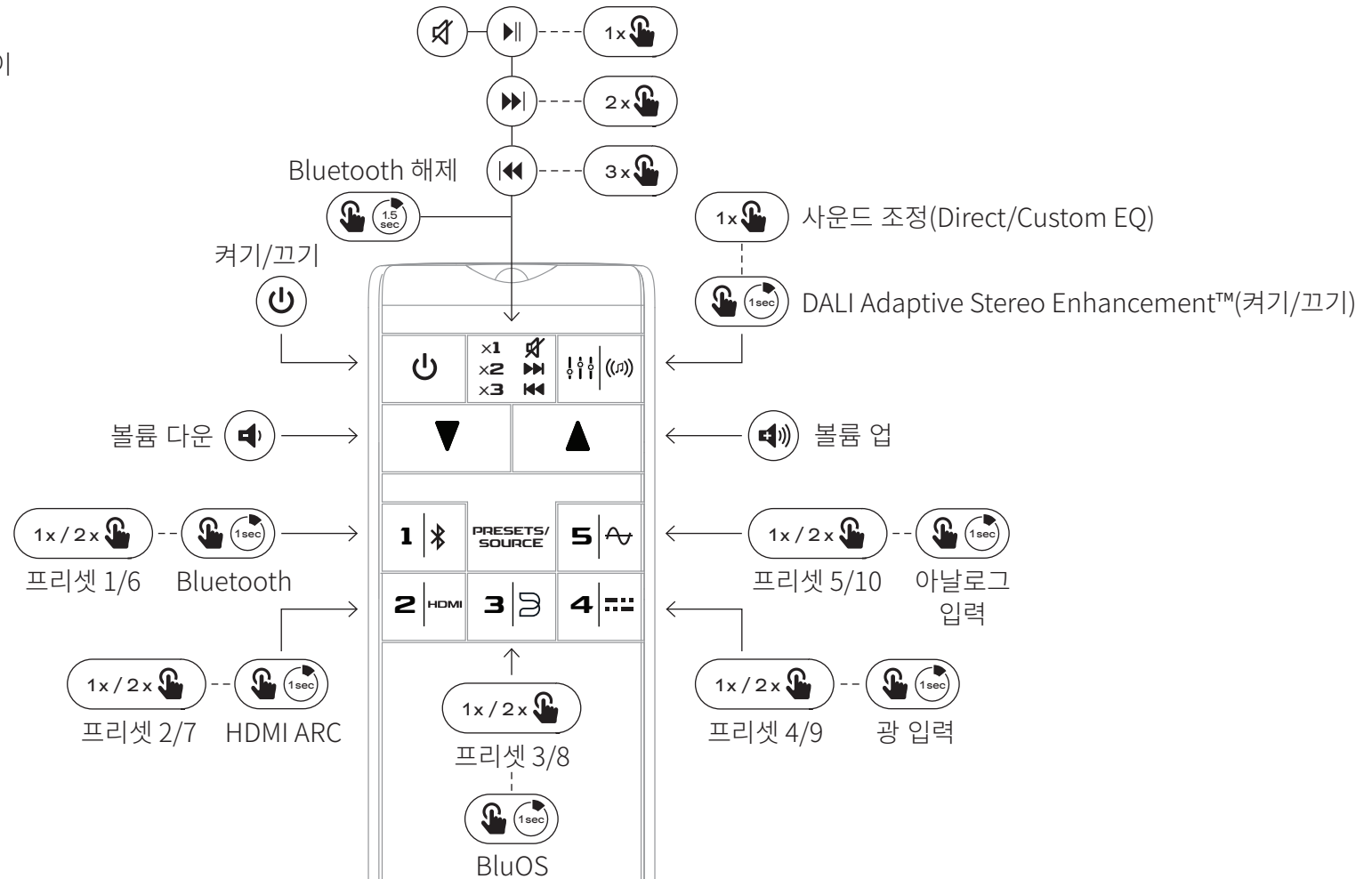
DALI VEGA를 설치하고 연결, 구성을 완료했다면 이제 좋아하는 음악과 함께 DALI VEGA의 성능을 즐겨보십시오.

DALI VEGA를 제어하려면 본체 **버튼**과 **볼륨 휠** 또는 **리모컨**을 사용할 수 있습니다. 리모컨과 버튼은 다음 페이지에 그림으로 설명되어 있습니다.



10. DALI VEGA 사용 방법

DALI VEGA 리모컨에는 DALI VEGA 스피커에서 가장 자주 사용되는 기능이 그대로 재현되어 있습니다.



10. DALI VEGA 사용 방법

DALI VEGA 버튼 및 볼륨 휠

DALI VEGA 버튼은 왼쪽에서 오른쪽 순서로 다음 기능을 제공합니다.

⏻ 대기 버튼

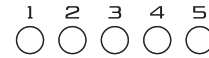
대기 버튼을 눌러 DALI VEGA를 깨우거나 대기 모드로 되돌릴 수 있습니다.

! 대기 모드에서 DALI VEGA의 전력 소비량은 0.5 와트 미만입니다.

🔊 음소거 버튼



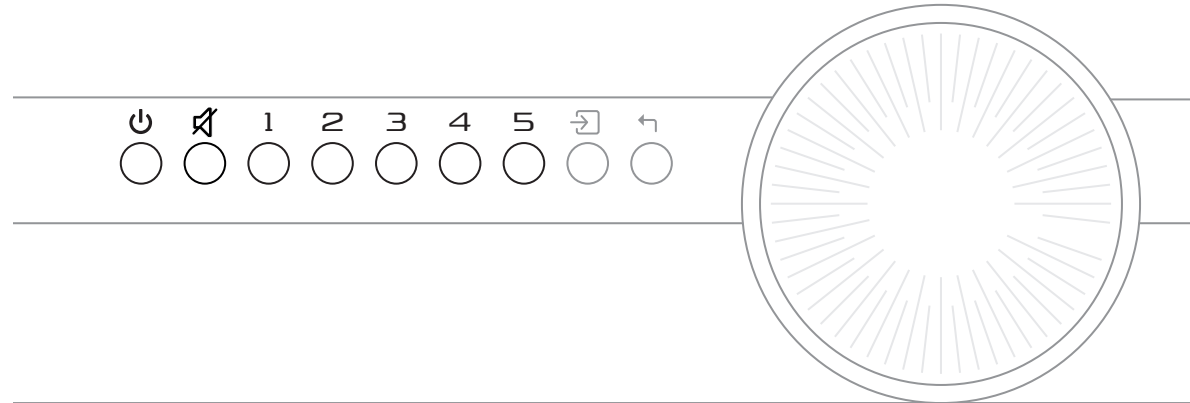
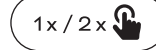
음소거 버튼을 눌러 오디오를 음소거하거나 복원할 수 있습니다. 현재 선택한 소스에 재생 컨트롤이 있다면, **음소거** 버튼을 눌러 해당 기능을 제어할 수 있습니다. **재생/일시 중지**는 한 번, **앞으로 건너뛰기**는 두 번, **뒤로 건너뛰기**는 세 번 누르면 됩니다. Bluetooth 연결을 해제하려면 **음소거** 버튼을 길게 누르십시오.



프리셋 버튼 1~10

Presets 버튼을 사용하면 라디오 방송국이나 스트리밍 서비스 등 저장된 항목을 즉시 선택할 수 있습니다.






한 번 누르면 프리셋 1~5가 활성화됩니다. 두 번 누르면 프리셋 6~10이 활성화됩니다.



10. DALI VEGA 사용 방법

↻ 입력 버튼

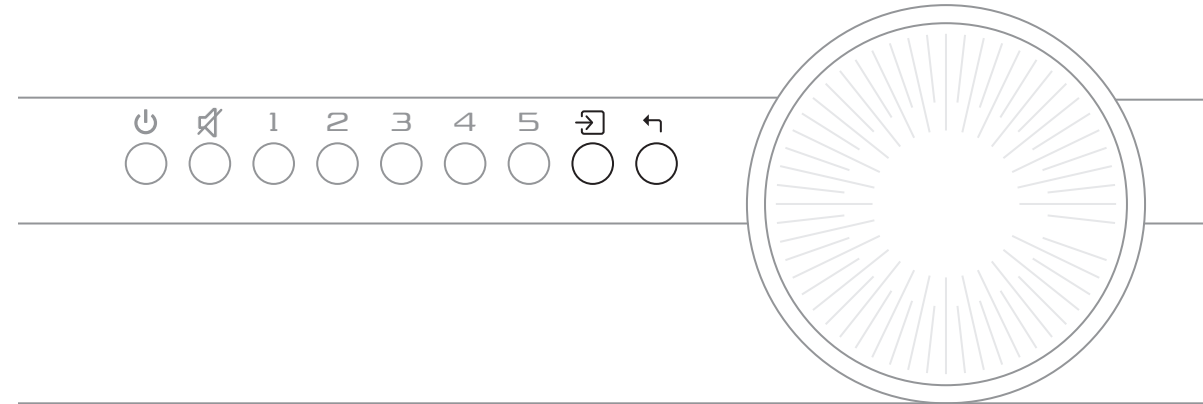
입력 버튼을 누르면 다음 순서대로 사용 가능한 DALI VEGA 신호 입력이 스크롤되며 선택됩니다.

-  Bluetooth
-  HDMI ARC
-  BluOS
-  광 입력
-  아날로그 입력

! 입력 버튼을 처음 누르면 현재 신호 소스 선택이 표시됩니다. 이어서 누르면 소스가 전환됩니다.

↶ 뒤로/종료 버튼

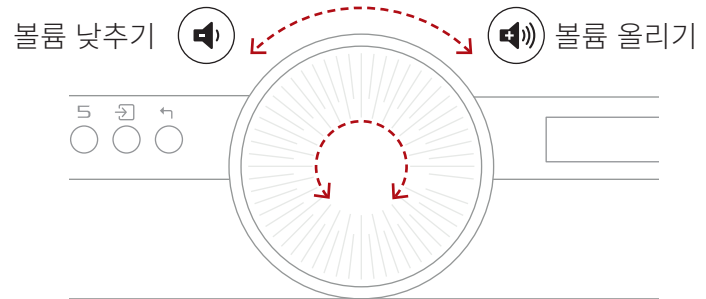
뒤로/종료 버튼을 누르면 메뉴 레벨에서 이전 단계로 돌아갑니다.



10. DALI VEGA 사용 방법

볼륨 휠

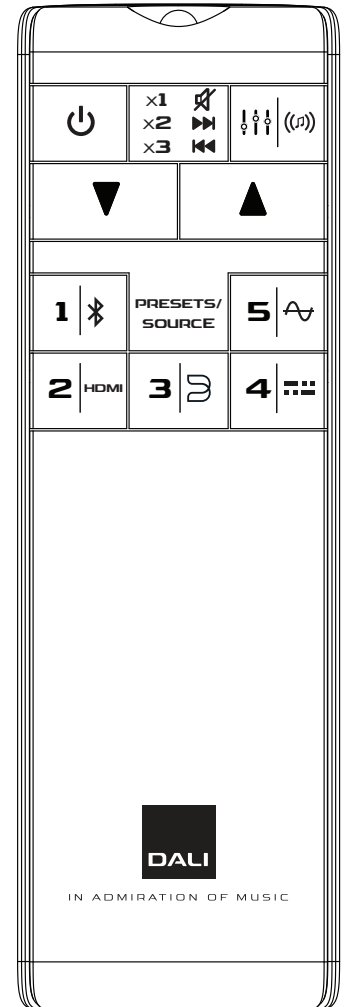
DALI VEGA가 켜져 있고 설정 메뉴 모드가 아닐 때 **볼륨 휠**로 볼륨을 조절할 수 있습니다. 볼륨을 높이려면 시계 방향으로 돌리고, 볼륨을 낮추려면 시계 반대 방향으로 돌리십시오.



리모컨

DALI VEGA 리모컨에는 DALI VEGA 스피커에서 가장 자주 사용되는 기능이 그대로 재현되어 있습니다.

DALI VEGA 리모컨과 버튼 기능은 24 페이지에 그림으로 설명되어 있습니다.



11. BLUETOOTH 연결

11.1 Bluetooth 페어링

Bluetooth 장치를 DALI VEGA에 연결하는 방법:

1. DALI VEGA를 켜십시오.
2. 입력 버튼을 사용하여 Bluetooth 입력을 선택하십시오.
3. 이제 DALI VEGA의 Bluetooth 페어링 준비가 완료되었습니다.
 - a. Bluetooth LED가 깜박이는 것은 현재 연결된 장치가 없음을 나타냅니다.
 - b. Bluetooth LED가 계속 켜지면 장치가 연결된 것입니다. 연결된 장치의 연결을 해제하려면 Bluetooth 해제 기능을 사용하십시오.
 - c. 한 번에 하나의 Bluetooth 장치만 연결할 수 있습니다.
 - d. 장치에서 Bluetooth 페어링을 시작하십시오. 페어링이 완료되면 Bluetooth로 연결된 장치의 음악이 재생됩니다.

이전에 DALI VEGA와 페어링된 기기가 범위 내에 있을 때 Bluetooth를 선택하면 DALI VEGA에서 마지막으로 사용한 기기에 자동으로 연결합니다.

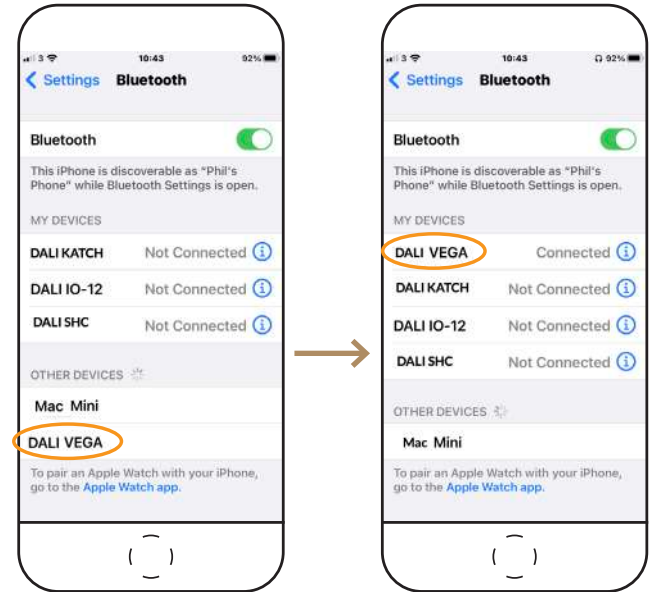
DALI VEGA에서 자동 재생이 시작되지는 않습니다. 재생은 연결된 장치에서 시작하거나 DALI VEGA 또는 리모컨의 음소거 버튼을 짧게 눌러야 합니다.

11.2 Bluetooth 해제

장치를 DALI VEGA와 페어링할 수 없는 경우:

1. Bluetooth 해제 신호음이 들리고 Bluetooth LED(LED 1)가 깜박이기 시작할 때까지 Bluetooth 해제 버튼(음소거 버튼)을 길게 누르십시오.
2. 이제 연결된 장치가 해제되며, 페어링을 다시 시작할 수 있습니다.
3. Bluetooth 해제는 메뉴 시스템에서 **Input settings** -> **Bluetooth**로 이동하여 실행할 수도 있습니다.

! Bluetooth 장치 최대 8대를 DALI VEGA와 페어링할 수 있습니다.



! BluOS 앱에서 DALI VEGA의 이름을 변경하면 Bluetooth 이름도 그에 따라 변경됩니다.

12. 관리 및 지원

DALI VEGA는 가정에 있는 다른 고가 물품의 일반적인 관리 방법을 초과하는 특별한 취급이 필요하지 않습니다. 부드러운 마른 천을 사용하여 케이스에서 먼지를 제거하십시오.

DALI는 세척액이나 스프레이 사용을 권장하지 않습니다.

13. BLUOS 문제 해결

BluOS 로고 옆에 있는 다색 표시등도 DALI VEGA의 BluOS 상태를 나타냅니다.

표시등 코드	설명
 빨간색으로 켜진 후 녹색으로 깜박임	장치의 전원이 켜지는 중/재부팅 중
 녹색 켜짐	핫스팟 모드
 녹색 깜박임	네트워크에 연결하는 중
 흰색 깜박임	소프트웨어 업데이트 사용 가능
 빨간색 켜짐	업그레이드 모드
 빨간색과 녹색이 교대로 깜박임	업그레이드 중
 파란색 깜박임	음소거 모드
 흰색 켜짐	인덱싱 중
 파란색 켜짐	네트워크에 연결됨 - BluOS 앱과 함께 사용할 준비 완료
 빨간색 깜박임	공장 초기화 진행 중
 보라색 켜짐	핫스팟 모드 시간 초과

자세한 내용은 Bluesound 지원 페이지를 참조하십시오.

 [Bluesound 지원 페이지](#)

14. 펌웨어 업데이트

때에 따라 BluOS 앱을 통해 DALI VEGA용 업데이트 펌웨어가 제공될 수 있습니다. 업데이트된 펌웨어는 성능과 신뢰성을 높이거나 새로운 기능을 추가할 수 있습니다.



15. 소비 전력

오프라인 모드

대기 버튼을 5초 동안 길게 누르십시오.
그러면 모든 연결이 비활성화되고 소비 전력이 최소화되며, 대기 버튼을 다시 눌러 VEGA를 재활성화할 때까지 이 상태가 유지됩니다.

네트워크 대기 모드

20분 동안 오디오를 재생하지 않고 사용자 선택이 없을 경우 네트워크 대기 모드가 자동으로 활성화됩니다. 이 모드에서는 연결된 소스에서 음악 재생을 시작하는 등 사용자의 조치가 있을 때 VEGA가 자동으로 활성화됩니다.

Wi-Fi 비활성화

이더넷 케이블을 VEGA에 연결하면 무선 네트워크 기능이 자동으로 비활성화됩니다.

모드	소비 전력	활성화	비활성화
활성(오디오 없음)	9.2 W	(‘네트워크 대기 모드’ 참조)	(‘네트워크 대기 모드’ 참조)
네트워크 대기 (HiNA)	2.9 W	20분 동안 오디오 및 사용자 조작이 없으면 자동으로 적용	재생 시작을 포함한 모든 사용자 조작
오프라인	<0.7 W	수동으로 대기 버튼을 길게 누름	수동으로 대기 버튼 누름

16. DALI VEGA 사양

DALI VEGA	
주파수 범위	32 ~ 22,700 Hz, ±3 dB
최대 SPL @ 1 m	110 dB
크로스오버 주파수	2,400 Hz
크로스오버 원리	2웨이, 8채널 액티브 크로스오버
고주파 드라이버	4 × 25 mm 소프트 돔
고주파 다이어프램	소프트 우븐 패브릭
저/중간 주파수 드라이버	4 × 4½인치
저/중간 주파수 다이어프램	페이퍼 / 우드 파이버 콘
인클로저 유형	공진 방지 인클로저 2 × 직사각형 패시브 라디에이터(3 × 6인치)
패시브 라디에이터 튜닝 주파수	32 Hz
앰프 타입	클래스 D BTL(Bridge-Tied Load)
앰프 연속 출력	8 × 50 W RMS
총 앰프 출력(W)	400 W
유선 입력	1 × HDMI ARC 1 × 아날로그 입력(RCA 언밸런스, 스테레오) 1 × 광 입력(Toslink, 스테레오) 1 × USB 오디오/서비스(HDD 또는 USB 드라이브)
유선 출력	서브 출력 USB 전원(5V/1A)
서브 출력 저역 통과 필터	120 Hz

DALI VEGA	
디지털 입력 형식	PCM, 스테레오
무선 입력	Bluetooth BluOS Spotify Connect Tidal Connect Apple AirPlay 2
Bluetooth 입력 코덱	AAC aptX aptX HD
BluOS 입력 코덱	MP3 AAC(M4A, MP4) WMA OGG FLAC ALAC(M4A) WMA-L MQA WAV AIFF(AIF, AIFC) PCM DSD256(DSD-PCM 변환)
지원 입력 오디오 형식	16~24비트 오디오 32 / 44.1 / 48 / 96 / 192 kHz 샘플링 레이트
권장 설치	스탠딩: 자유 공간 스탠딩: 벽 근처 스탠딩: 모서리/벽에 가까움 벽면 장착: 가로 벽면 장착: 세로

다음 페이지에 계속

16. DALI VEGA 사양

DALI VEGA

기능	Adaptive Orientation Adjustment Adaptive Stereo Enhancement 프로그래밍 가능한 프리셋 최대 40개 사운드 조정(Direct/Custom EQ) 후면 벽 거리 Bluetooth 해제/지우기 HDMI 오디오 지연 광 신호/캐리어 감지 입력 감지 LED 설정 공장 초기화 대기(자동 전원) 음소거 전원 켜기/끄기 볼륨 소스 선택
----	---

최대 소비 전력	250 W
대기 전력 소비량	≤ 3 W
치수(H × W × D)	143 x 683 x 243 mm 5.63 x 26.90 x 9.57 인치
포장 치수(H × W × D)	330 x 870 x 200 mm 13.0 x 34.25 x 7.87 인치
무게	8.7 kg 19.18 lb
포장 무게	13.3 kg 29.32 lb
마감	Dark Oak(다크 오크) Natural Oak(내추럴 오크)

DALI VEGA

기본 제공 액세서리	1 x 리모컨 2 x AAA 배터리(리모컨용) 2 x 벽면 브래킷(벽면용) 2 x 벽면 브래킷(VEGA) 2 x VEGA 벽면 브래킷용 나사 1 x M6 육각 렌치 1 x 케이블 홀더 1 x 전원 케이블 1 x 제품 등록 카드 1 x 빠른 시작 안내서 2 x 벽면 장착 템플릿 1 x 안전 설명서
------------	--

모든 기술 사양은 예고 없이 변경될 수 있습니다.

법적 고지 사항

다음 용어는 해당 소유주의 상표 또는 등록 상표입니다.

Bluetooth®	Bluetooth SIG, Inc.
BluOS™	Bluesound International, a division of Lenbrook Industries Limited
HDMI®	HDMI Licensing Administrator, Inc.
Wi-Fi®	Wi-Fi Alliance

达尼 VEGA

手册

版本 1.0 - 2026 年 3 月
简体中文



目录

1. 简介 378
2. 包装清单 379
3. 开箱 380
4. Wi-Fi 连接与 BluOS 设置 381
5. 摆放达尼 VEGA 382
6. 线缆管理 384
7. 达尼 VEGA 壁挂安装 385
8. 有线连接 390
9. 达尼 VEGA 配置 393
10. 使用达尼 VEGA 399
11. 蓝牙连接 404
12. 保养与支持 405
13. BluOS 故障排查 405
14. 固件更新 406
15. 功耗 407
16. DALI VEGA 规格 408



1. 简介

恭喜您购买新的达尼 VEGA。达尼 VEGA 是一款顶尖的一体式音响系统,采用简约时尚的单体设计,旨在成为同类家庭音响系统的性能标杆。达尼 VEGA 音质卓越,功能全面,将直观易用的操作体验与独具魅力的丹麦奢华设计融为一体。

本用户手册介绍了达尼 VEGA 的安装与使用方法。

开始安装和使用达尼 VEGA 之前,应先阅读本手册。

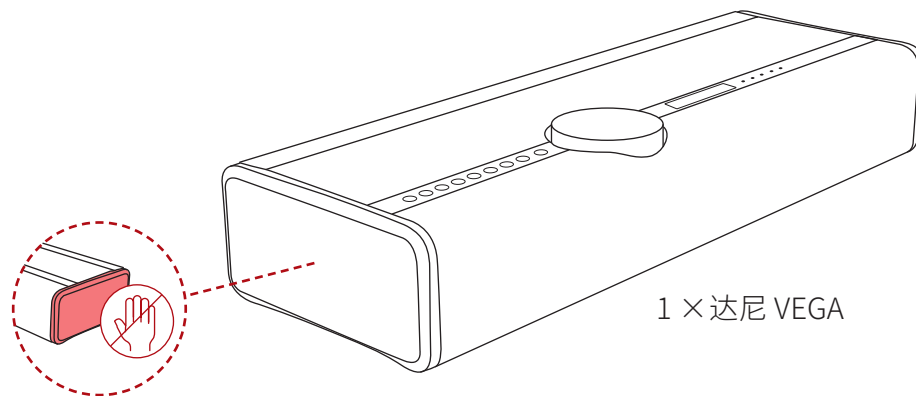
本手册首先列出了达尼 VEGA 包装箱内的物品清单,然后介绍了达尼 VEGA 的摆放、连接、配置以及日常使用方法。



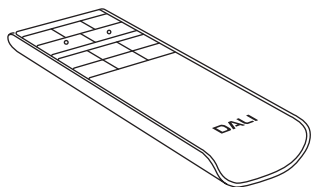
2. 包装清单

达尼 VEGA 包装内的物品清单如下所示。

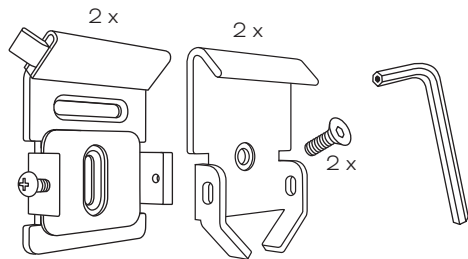
! 请勿触碰达尼 VEGA 两端的无源辐射器驱动单元。



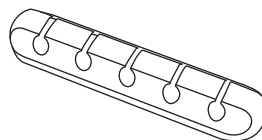
1 × 达尼 VEGA



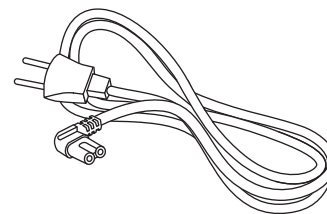
1 × 遥控器
2 × AAA 电池
(用于遥控器)



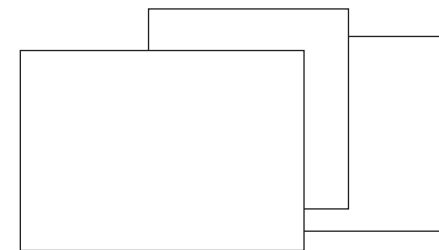
2 × 壁挂托架 (墙壁)
2 × 壁挂托架 (VEGA)
2 × 螺钉, 用于 VEGA 壁挂托架
1 × M6 内六角扳手



1 × 线缆固定器

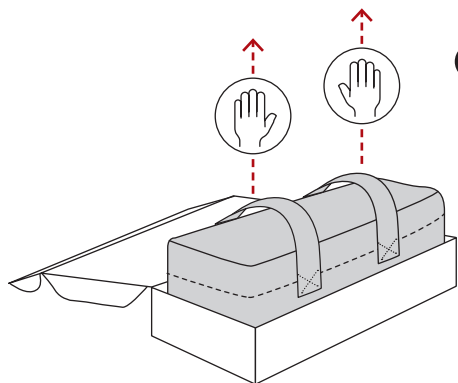


1 × 电源线

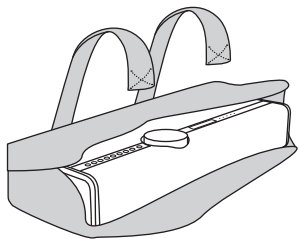


1 × 产品注册卡
1 × 快速入门指南
2 × 壁挂安装模板
1 × 安全手册

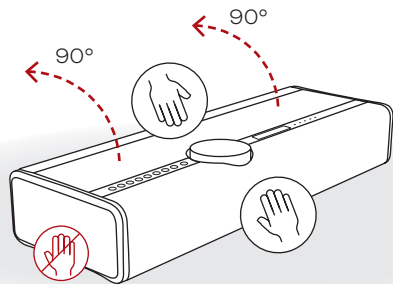
3. 开箱



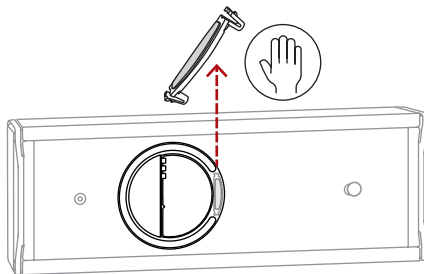
- 1** 打开箱盖, 提起两根带子将 VEGA 从箱内取出。



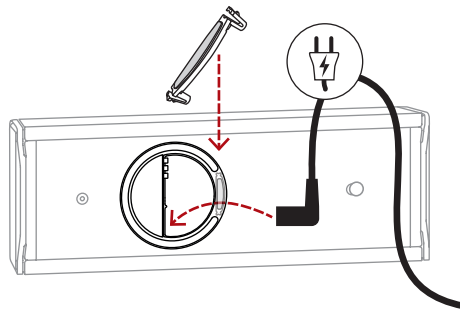
- 2** 松开尼龙搭扣带并取下盖子。



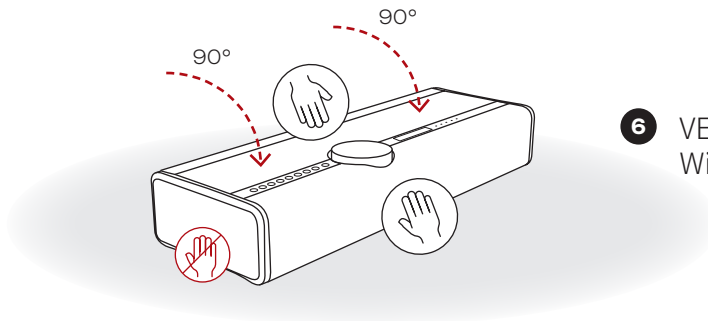
- 3** 将 VEGA 向背面倾斜 90 度。打开并取下线夹。



- 4** 插入电源线以及其他线缆。



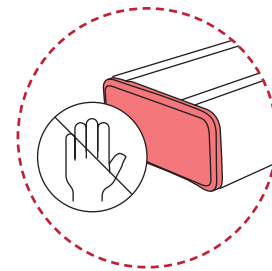
- 5** 装上线夹, 然后将 VEGA 翻转至底朝下。



- 6** VEGA 现已准备就绪, 可进行 Wi-Fi 连接。

重要提示!

开箱时请勿触碰
无源辐射器。



4. WI-FI 连接与 BLUOS 设置

1 启动达尼 VEGA

等待 BluOS LED 灯变为绿色常亮, 指示“Hotspot” (热点) 模式。

2 获取 BluOS 应用程序

使用智能手机或平板电脑, 下载并打开 BluOS 应用程序。



3 将达尼 VEGA 添加到网络

按照“添加播放器”向导程序的步骤完成 BlueOS 设置。



访问 bluesound.com/downloads 下载应用程序

初始网络设置需使用智能手机或平板电脑上的 BluOS 应用程序完成。确保您已下载并安装该应用程序, 开始使用时, 请将您的智能手机或平板电脑放在身旁。

! 如果您使用的是 iOS 设备, 还可以通过 iOS Wi-Fi 设置中的“设置新的隔空播放音箱”选项将达尼 VEGA 连接至 Wi-Fi 网络。



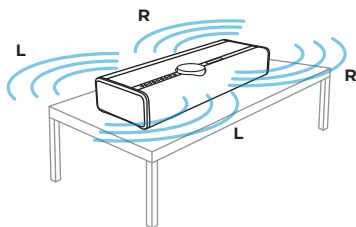
! 如果达尼 VEGA 的局域网 (网络) 接口已连接至家庭路由器或网络交换机, 则无需连接 Wi-Fi。您可以在 BluOS Controller 应用程序中完成达尼 VEGA 的设置。

■ [Bluesound 支持页面](#)

5. 摆放达尼 VEGA

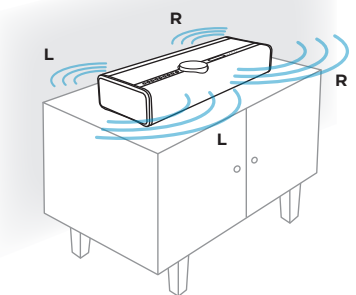
达尼 VEGA 具有出色的多功能性，适合安装在家中各种位置。例如，可将其摆放在桌面、家具、书架或窗台上。达尼 VEGA 还可使用选配的达尼 VEGA 壁挂托架安装在墙壁上，支持横向和纵向安装。对于达尼 VEGA 的摆放位置，如果您倾向于使用有线网络连接，唯一的要求是能够连接电源以及网络路由器或交换机。

达尼 VEGA 会根据摆放方向自动调整立体声信号在前后音箱之间的分配方式，无论是直立、横向还是竖向摆放，都能实现合理音效。显示屏方向也能自动旋转。



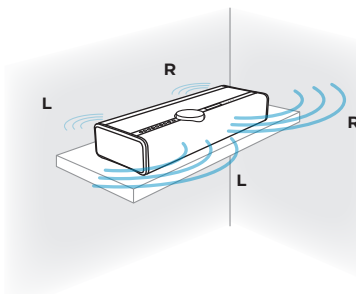
1 直立:自由空间

达尼 VEGA 双向发声:前后方向均可发声。
推荐后墙距离设置:
Free (自由)。



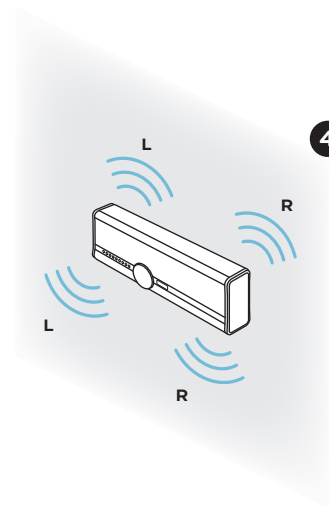
2 直立:近墙

达尼 VEGA 的前向发声量大于后向发声量。
推荐后墙距离设置:
Medium (中距)。



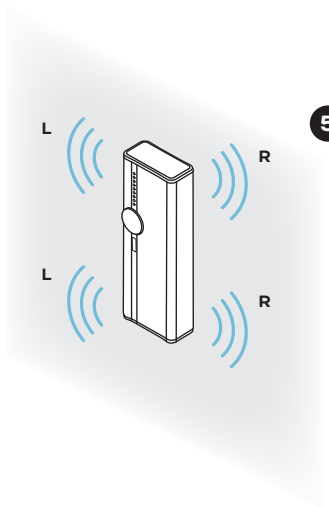
3 直立:靠近拐角/墙壁

该模式下,达尼 VEGA 的后向发声量更小。
推荐后墙距离设置:
Short (短距)。



4 挂墙:横向

达尼 VEGA 双向发声。
后墙距离会自动设置。



5 挂墙:竖向

达尼 VEGA 双向发声。
正面的驱动单元播放左声道,背面的驱动单元播放右声道。
后墙距离会自动设置。

5. 摆放达尼 VEGA

自适应方向调节 (Adaptive Orientation Adjustment)

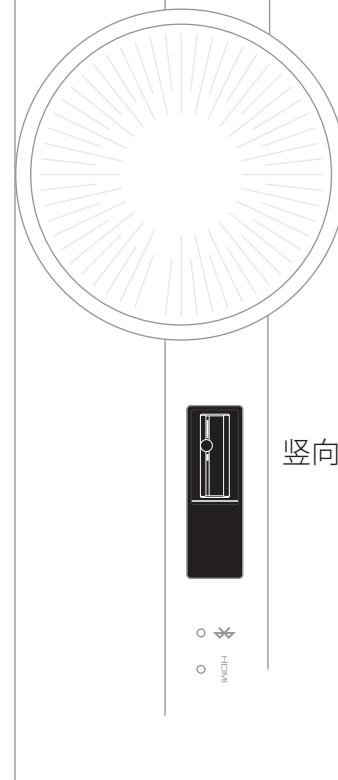
达尼 VEGA 搭载了由达尼工程师自主研发的先进自适应方向调节技术。凭借自适应方向调节技术，达尼 VEGA 可无缝融入任何生活空间，并且支持各种摆放或安装方式。

VEGA 内置方向传感器，能够智能检测自身的安装方向，无论是直立摆放在架子或桌面上，还是以横向或纵向模式安装在墙上，都能精准辨别。还能自动重新配置立体声通道映射，确保音频保真度达到最佳。这种实时调节功能可提升空间定位精度与立体声声

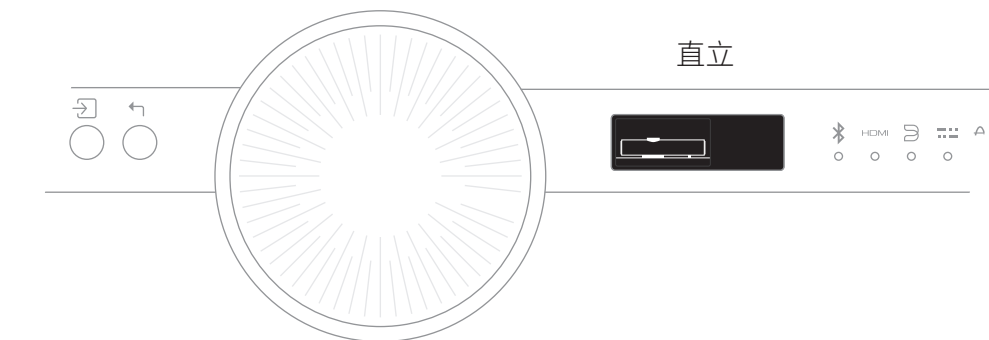
像，无论采用何种摆放方式，都能带来始终如一的沉浸式聆听体验。

自适应方向调节是 VEGA 环境感知设计理念的核心组成部分，使其能在声学层面适配用户偏好，以精准清晰的表现提升音乐播放效果。

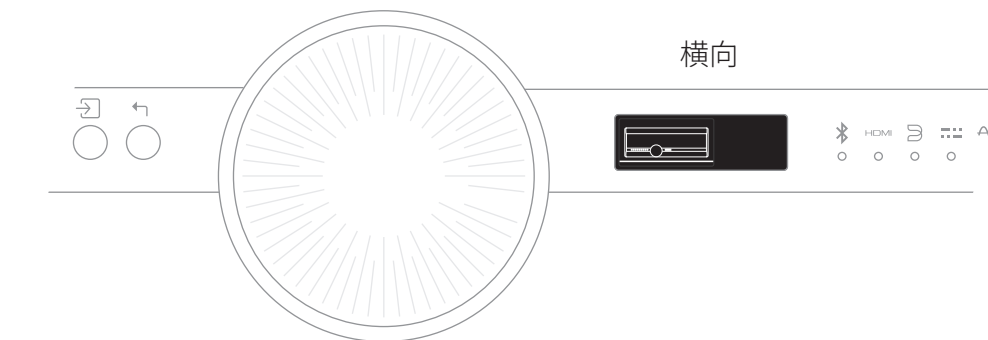
将 VEGA 摆放在所需方向后，显示屏会显示三个标识中的一个，以指示已激活的自适应方向调节模式。



竖向



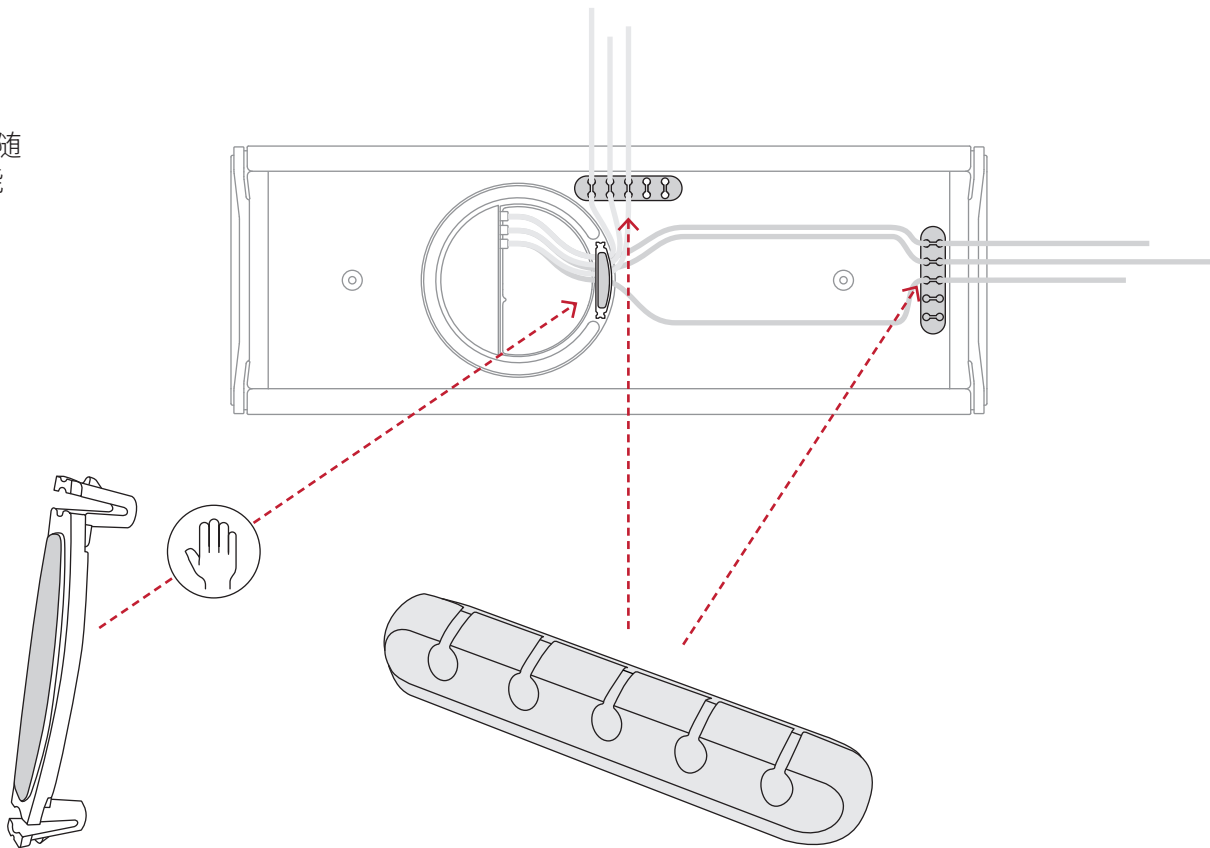
直立



横向

6. 线缆管理

VEGA 背面有一个线夹,用手指按压两端即可打开。该功能与随附的线缆固定器搭配使用,在任何摆放方向或位置下,您都能轻松整理线缆。



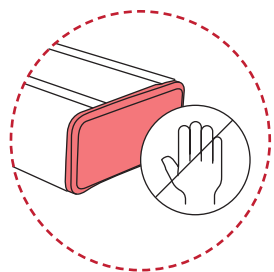
7. 达尼 VEGA 壁挂安装

要以横向或纵向模式将达尼 VEGA 安装在墙壁上, 请使用随附的四个壁挂托架。

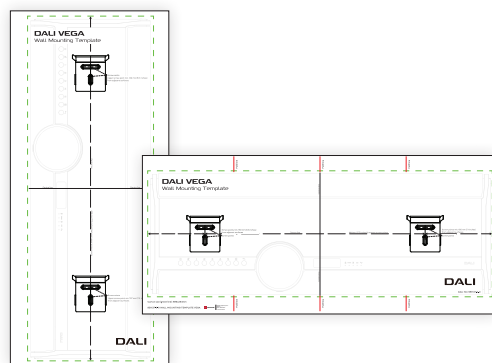
使用随附的壁挂托架螺钉和 M6 内六角扳手, 将其中两个壁挂托架固定在达尼 VEGA 的背面。

剩下的两个壁挂托架需用四颗合适的螺钉(未随附)固定在墙壁上。

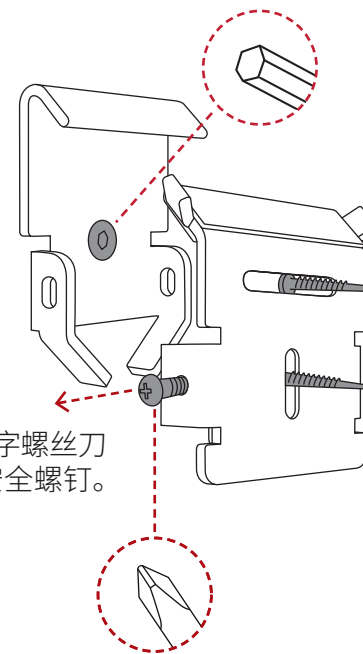
请按照后几页中的步骤操作。



! 安装时请勿触碰无源辐射器。



达尼 VEGA 的托架各用一颗托架螺钉(随附)安装。借助 M6 内六角扳手将托架牢牢固定到位。



安装音箱前, 应使用十字螺丝刀(未随附) 松开安全螺钉。

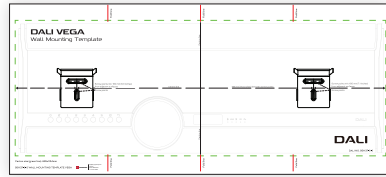
装在墙壁上的托架使用两颗螺钉固定, 应根据墙壁类型选择合适的螺钉(未随附)。

! 借助随附的**壁挂安装模板**, 您可轻松确定壁挂支架的安装位置。

随附两个**壁挂安装模板**: 一个用于横向安装, 另一个用于竖向安装。

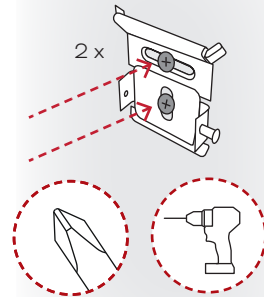
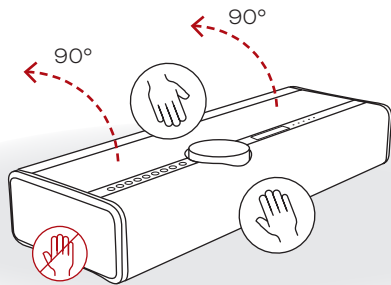
7. 达尼 VEGA 壁挂安装

横向 (1/2)

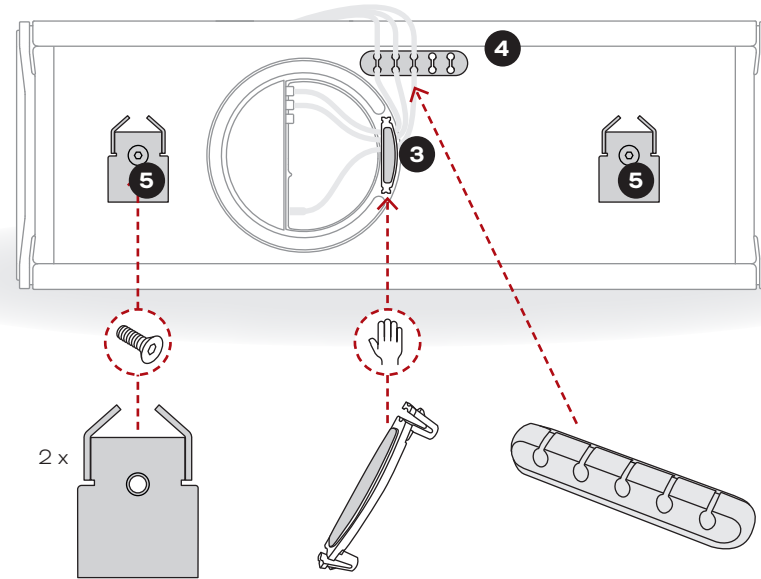


1 借助随附的横向壁挂安装模板标记出 2x2 的钻孔位置, 然后将两个壁挂托架固定到墙壁上。

2 将 VEGA 向背面倾斜 90 度。



! 切勿将 VEGA 正面朝下或顶面朝下放置, 以免意外刮伤音量旋钮。



3 将 VEGA 壁挂托架固定在横向安装位置。

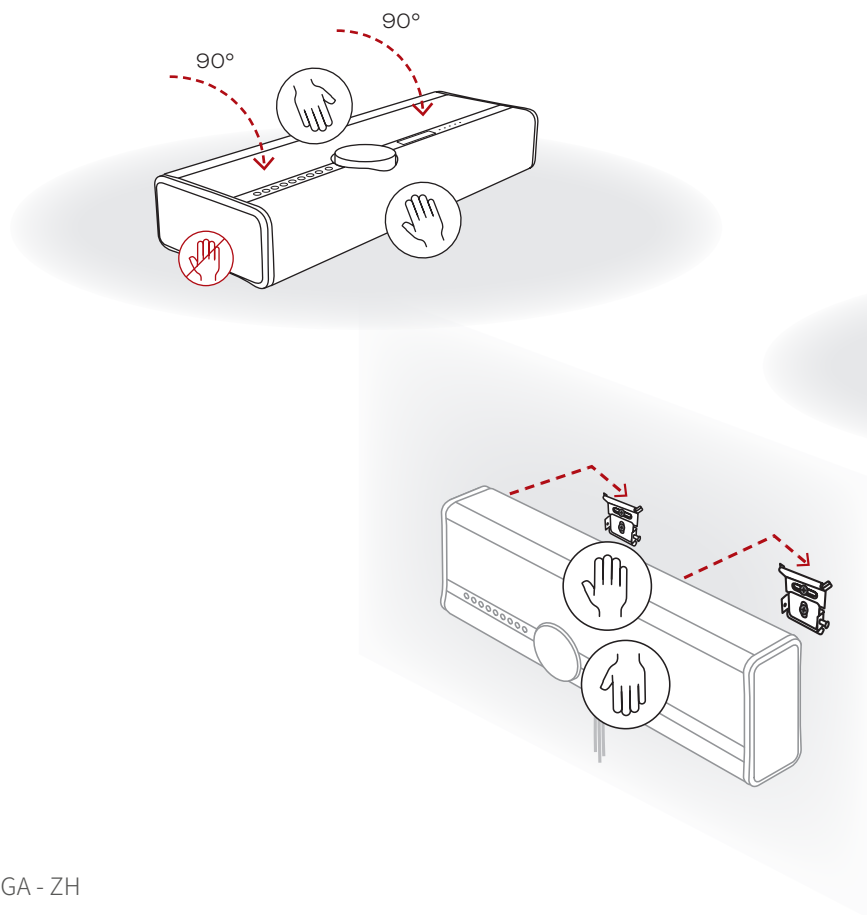
4 贴上自粘式线缆固定器, 然后将线缆从中穿过。

5 拆下线夹, 连接好各类线缆后再将其重新装上。

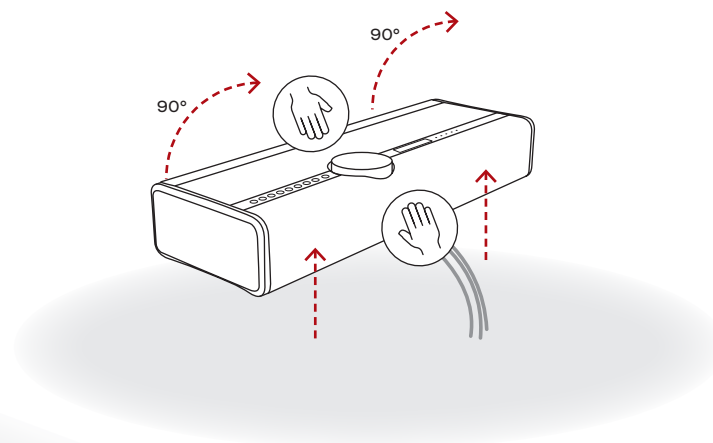
7. 达尼 VEGA 壁挂安装

横向 (2/2)

6 将 VEGA 翻转至底朝下。

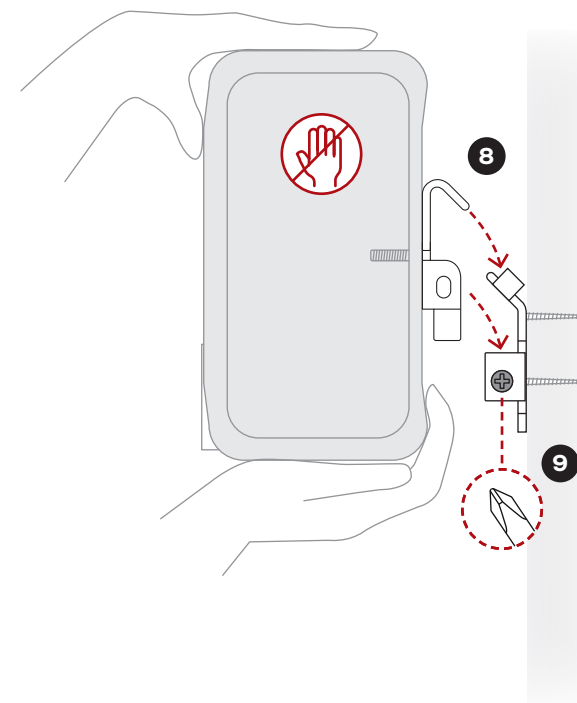


7 抬起并转动 VEGA, 使其底部 (及壁挂托架) 朝向墙壁。



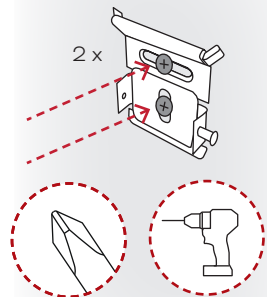
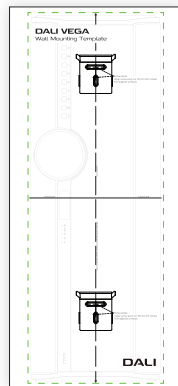
8 将 VEGA 小心抬起并对准托架, 然后固定到位。

9 使用十字螺丝刀拧紧安全螺钉。

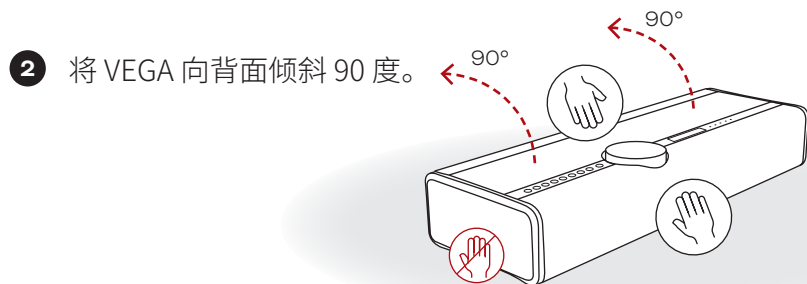


7. 达尼 VEGA 壁挂安装

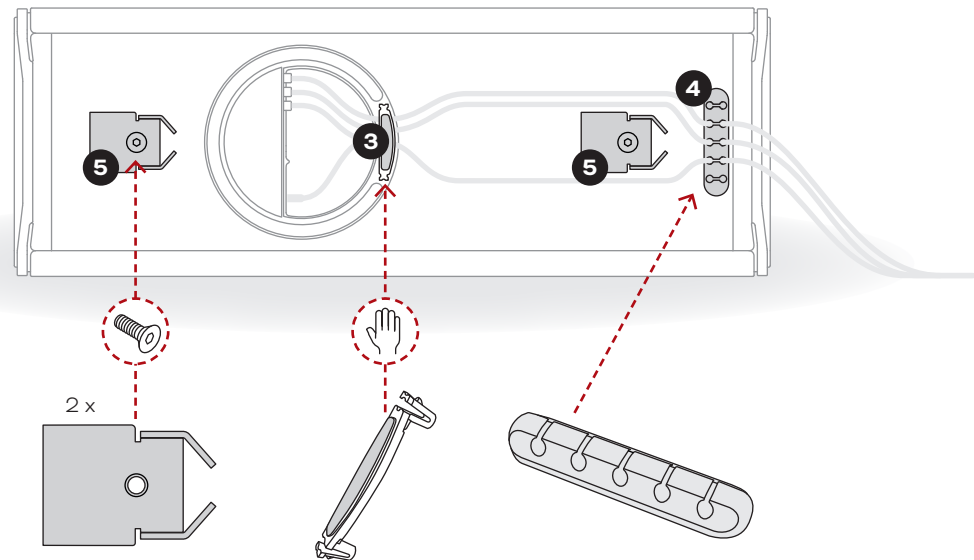
竖向 (1/2)



- 1 借助随附的竖向壁挂安装模板标记出 2 x 2 的钻孔位置, 然后将两个壁挂托架固定到墙壁上。



- 2 将 VEGA 向背面倾斜 90 度。

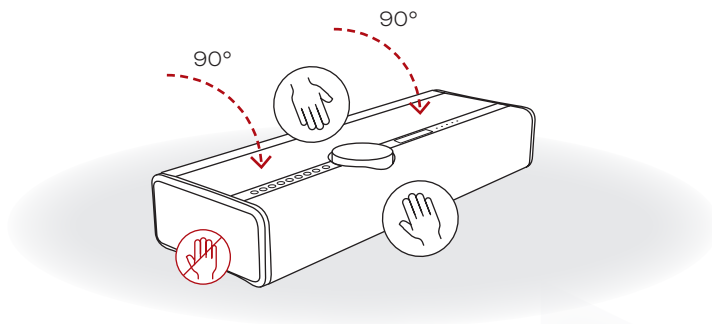


- 3 拆下线夹, 连接好各类线缆后再将其重新装上。
- 4 贴上自粘式线缆固定器, 然后将线缆从中穿过。
- 5 将 VEGA 壁挂托架固定在竖向安装位置。

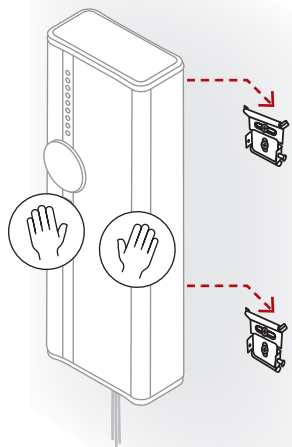
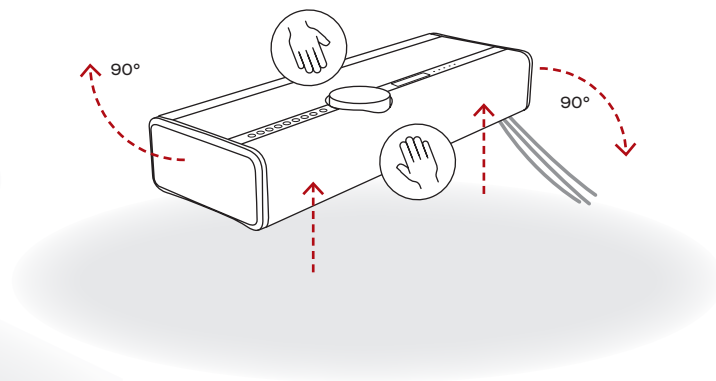
7. 达尼 VEGA 壁挂安装

竖向 (2/2)

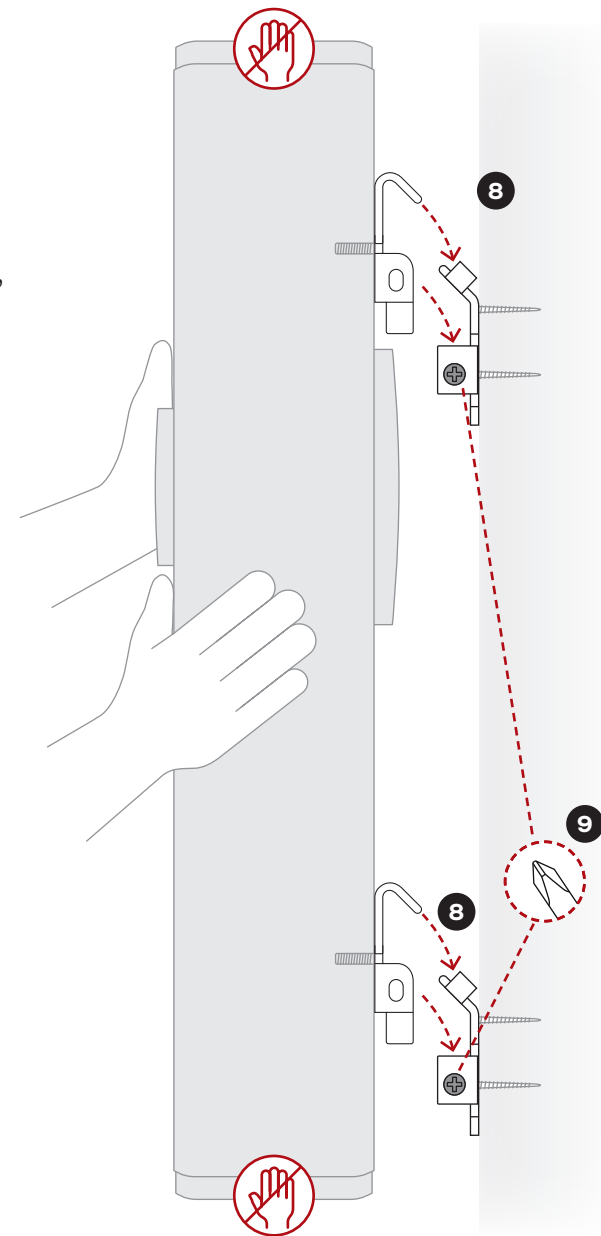
- 6 将 VEGA 翻转至底朝下。



- 7 抬起并转动 VEGA, 使其底部 (及壁挂托架) 朝向墙壁, 然后顺时针旋转至竖向安装位置。



- 8 将 VEGA 小心抬起并对准托架, 然后固定到位。
- 9 使用十字螺丝刀拧紧安全螺钉。



8. 有线连接

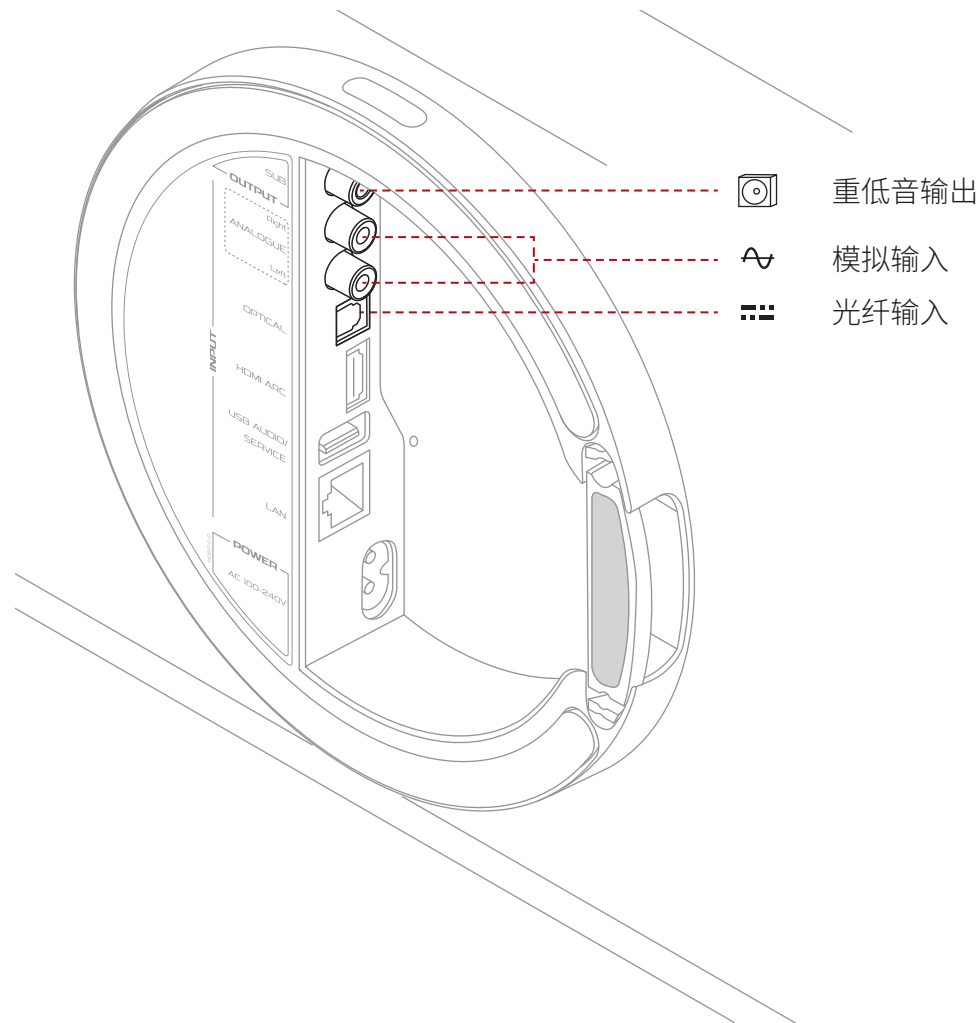
达尼 VEGA 提供丰富多样的连接方式,可轻松集成到您的家庭音响系统中。

有线连接插孔位于连接面板处,包含以下几个接口:

重低音喇叭输出:单个 RCA 唱机插孔,可连接外接重低音喇叭,以提升达尼 VEGA 的低音性能。重低音喇叭的输出信号为单声道,并经过低通滤波器处理,频率限定在 120 Hz 以内。

模拟输入:一对立体声 RCA 唱机插孔,可连接带线路电平输出的外接音频源,例如,CD 播放机或内置 RIAA 的唱盘。

光纤输入:一个 TOSLINK 光纤数字音频插孔,可连接带光纤数字输出的外接音频源,例如,电视机或 CD 播放机。



8. 有线连接

HDMI ARC:如果您的电视配备了 HDMI ARC (音频回授通道) 接口, 请将其连接至达尼 VEGA 的 HDMI ARC 接口。您可能还需要在电视设置菜单中选择用于音频播放的外接音箱, 并启用 CEC (消费电子控制) 功能。电视音频的输出格式应设置为“PCM”或“立体声”。

使用 HDMI 和 CEC, 您可以通过电视遥控器来控制达尼 VEGA 的音量、静音和待机功能。

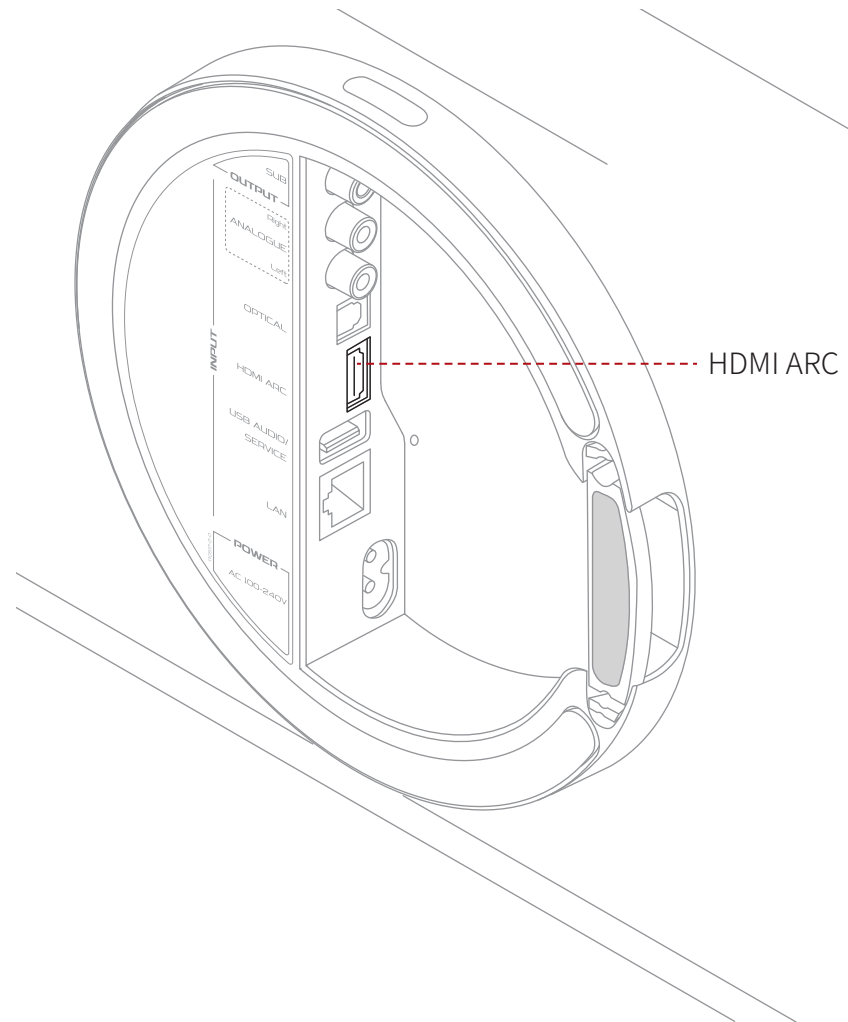
! 如果您的电视不支持 HDMI ARC, 或遇到 HDMI 兼容性问题, 达尼建议您采用光纤连接, 将电视的光纤音频输出接口与达尼 VEGA 相连。

这种情况下, 您仍可使用 HDMI 连接, 借助电视遥控器通过 CEC 功能控制达尼 VEGA。

若要使用电视遥控器通过 HDMI 控制达尼 VEGA 的基础功能 (音量、静音、开机/关机), 必须在电视上启用 HDMI CEC。

HDMI CEC 的名称因电视品牌而异:

- 三星: Anynet+
- LG: SimpLink
- 索尼: Bravia Sync
- 飞利浦: EasyLink
- 松下: Viera Link
- 日立: HDMI-CEC



8. 有线连接

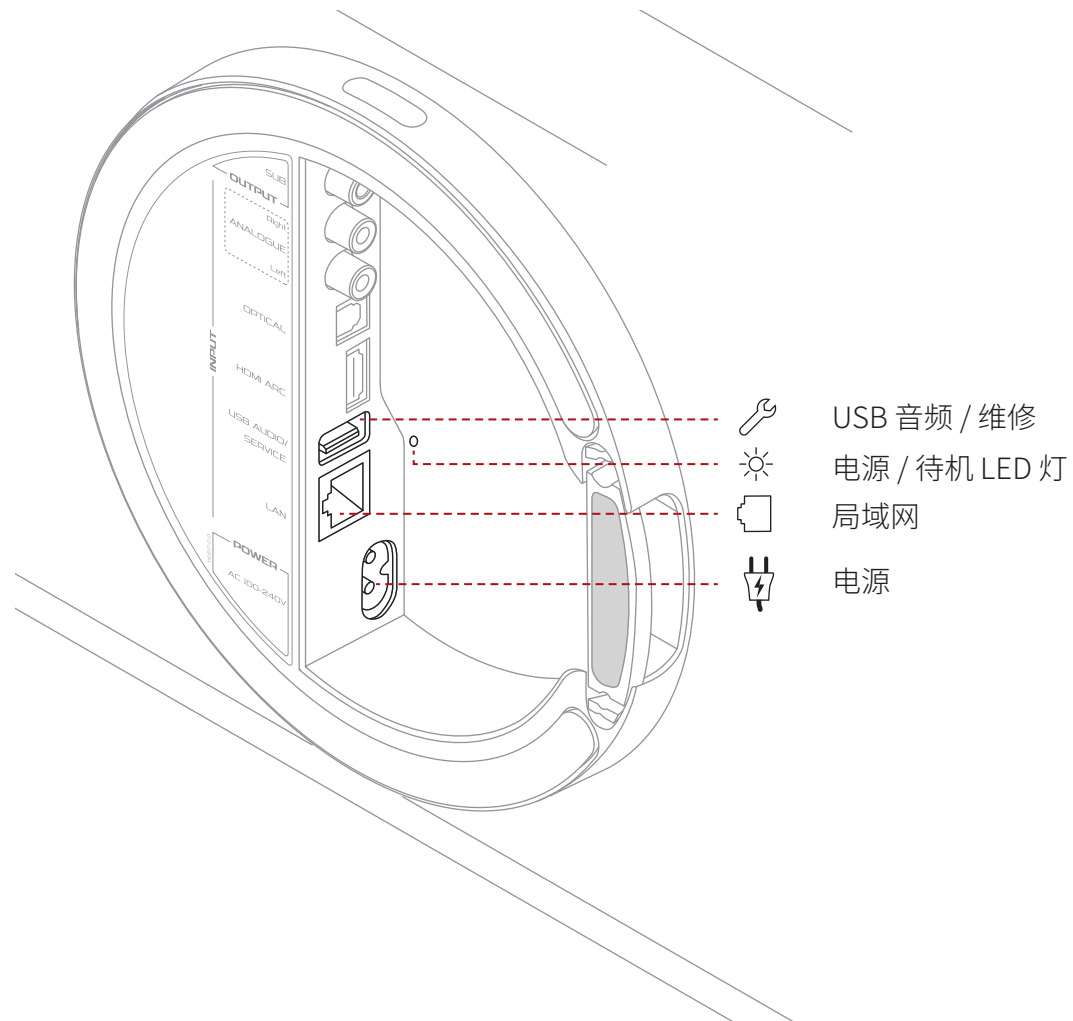
USB 音频 / 维修:达尼 VEGA USB 插孔有两个功能。首先,该插孔支持达尼 VEGA 播放硬盘、移动硬盘等 USB 存储介质中的音乐文件,同时还能通过 BluOS 在其所连接的家庭网络内共享这些音乐文件。其次,达尼 VEGA USB 插孔还具有软件更新和维修功能。

■ [开始使用 BluOS](#)

电源 / 待机 LED 灯:电源/待机 LED 灯指示达尼 VEGA 的电源状态。

局域网(网络):达尼 VEGA 的网络接口可通过有线网络连接,提供 BluOS 应用程序的音乐流式传输功能。如果您的达尼 VEGA 要采用有线网络连接,请将网络接口连接至家庭网络路由器或交换机,使用标准网线即可。

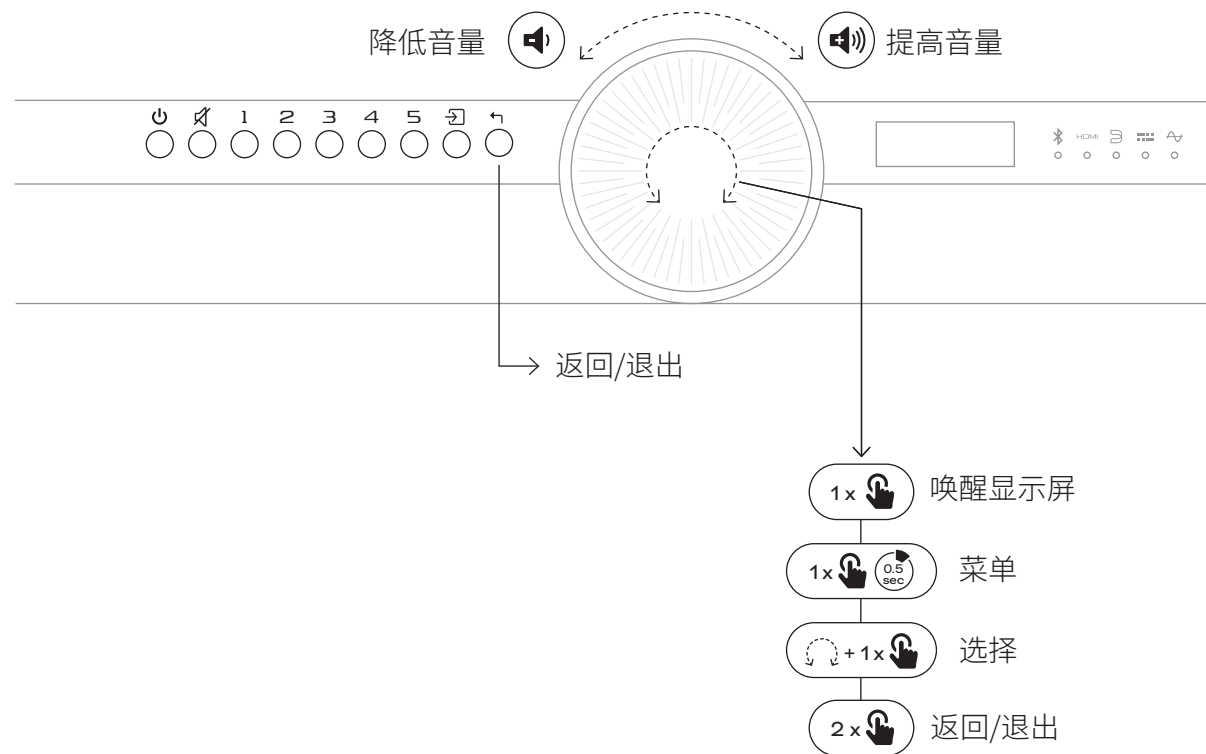
电源:使用随附电源线将达尼 VEGA 连接到电源。



9. 达尼 VEGA 配置

将达尼 VEGA 摆放好并连接至电源、无线网络和所需的有线音频源后,即可开始配置。

达尼 VEGA 通过菜单显示屏进行配置。使用**音量旋钮**来选择菜单选项。轻触**音量旋钮**表面即可确认选择。使用**音量旋钮**左侧的**返回/退出**按钮保存选定选项,同时返回到设置菜单。

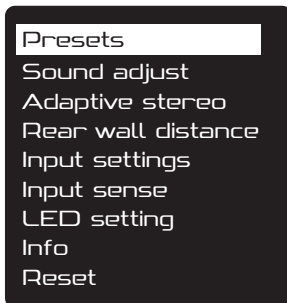


9. 达尼 VEGA 配置

达尼 VEGA 菜单

要进入达尼 VEGA 的配置菜单, 请轻触并长按**音量旋钮**中心一次。配置菜单的顶层将会显示在屏幕上。转动**音量旋钮**可上下滚动菜单, 再次轻触音量旋钮中心即可选择菜单选项并进入其子菜单。

以下详细介绍了每个顶层菜单项下的配置选项。



! 如果 10 秒内未在菜单中进行任何选择, 达尼 VEGA 的显示屏将返回至初始界面。

Presets (预设)

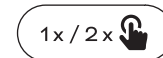
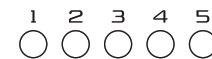
Presets (预设) 菜单可显示并激活 BluOS 应用程序中创建的预设。一共可将 10 项 BluOS 预设 (通过 BluOS 应用程序) 分配至音量旋钮左侧的 5 个预设按钮。

1 至 10 号预设

使用这些**预设**按钮可快速选择任何已保存的项目, 例如电台频道或流式传输服务。

按一下可激活 1 至 5 号预设。
按两下可激活 6 至 10 号预设。

其他已保存的 BluOS 预设均可在 **Presets (预设)** 菜单中找到, 该菜单最多可激活 40 个预设。您可以将当前选定的任何音频源 (例如网络电台频道或流式传输服务) 分配至其中一个预设按钮, 以便快速调用。



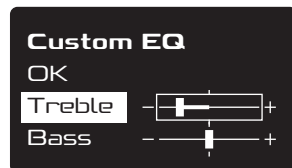
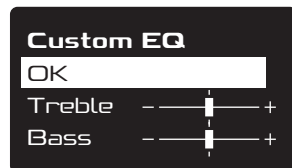
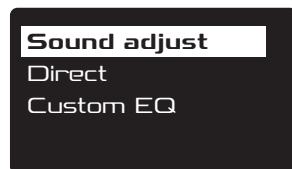
如何添加或删除预设

9. 达尼 VEGA 配置

Sound adjust (音效调节)

Sound adjust (音效调节) 菜单支持选择 **Direct** (直接) 音频 (DALI VEGA 默认音效) 或 **Custom EQ** (自定义均衡器)。

若选择 **Custom EQ** (自定义均衡器) 选项, 显示屏会提供低音和高音调节功能, 调节范围为 +/-10 dB, 步长为 2 dB。通过 **音量旋钮** 进行低音和高音调节。

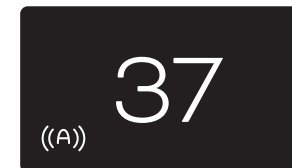


DALI Adaptive Stereo Enhancement™ (达尼自适应立体声增强)

达尼 VEGA 采用了达尼研发的自适应立体声增强 (ASE) 技术, 该技术可以使声音更具延展性、沉浸感和吸引力, 从而提升紧凑型音箱的立体声体验。该设备默认启用达尼自适应立体声增强功能, 但也可以根据个人意愿将其禁用。

Adaptive stereo (自适应立体声) 菜单可启用或禁用自适应立体声增强功能。通过 **音量旋钮** 选择所需选项即可。

! 启用自适应立体声增强功能后, 主屏幕左下角会显示 ASE 标志 ((A))。



9. 达尼 VEGA 配置

Rear wall distance (后墙距离)

与任何音箱一样, 达尼 VEGA 的音效会受到周围房间边界的影响。**Rear wall distance** (后墙距离) 菜单可根据与墙壁之间的距离来调节达尼 VEGA 的声音。

根据达尼 VEGA 与后墙之间的距离, 使用**音量旋钮**选择与之最匹配的选项。

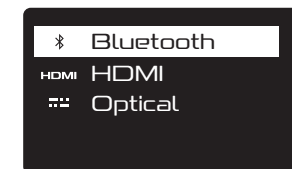


- ! **Short (短距):** 后墙距离小于 10 厘米 (3.9 英寸)
- Medium (中距):** 后墙距离为 10 - 50 厘米 (3.9 - 19.6 英寸)
- Free (自由):** 后墙距离大于 50 厘米 (19.6 英寸)

当达尼 VEGA 采用壁挂安装时, **Rear wall distance** (后墙距离) 菜单会禁用。

Input settings (输入设置)

Input settings (输入设置) 菜单可对蓝牙、HDMI 和光纤输入的特定选项进行配置。



这些选项包括:

- 蓝牙:** 解除连接、删除配对。
- HDMI:** 音频延迟。
- 光纤:** 信号检测、载波检测。

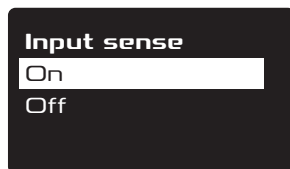
! HDMI 音频延迟能够优化电视的唇形同步效果。

通过光纤输入信号检测和载波检测, 达尼 VEGA 可在以下任一情况下自动选择其光纤输入: 光纤音频源已简单开启, 或仅存在一个音频信号。

9. 达尼 VEGA 配置

Input sense (输入感应)

通过 **Input sense** (输入感应) 菜单, 当任一输入接口检测到信号时, 达尼 VEGA 可立即从待机状态自动开机; 若 20 分钟内无任何输入信号, 设备将自动关机。可以启用或禁用 **Input sense** (输入感应)。通过 **音量旋钮** 选择所需选项即可。



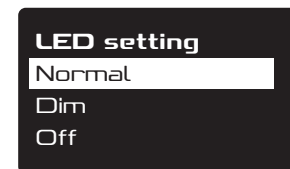
! 如果输入感应已启用 (**On**, 开) 且 VEGA 当前未在播放, 检测到音频信号时, 设备将自动选择模拟输入和光纤输入。

按下音频源播放按钮后, 将自动选择蓝牙和 BluOS 输入。

打开相连的电视后, 如果 VEGA 当前未在播放, 将自动选择 HDMI ARC 输入。

LED setting (LED 灯设置)

LED setting (LED 灯设置) 菜单可用于调节达尼 VEGA LED 指示灯的亮度。通过 **音量旋钮** 选择所需选项即可。

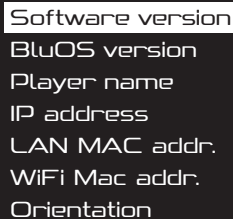


! 如果将 LED setting (LED 灯设置) 菜单设为 **Off** (关), 则达尼 VEGA 的 LED 灯将始终处于熄灭状态, 且显示屏右下角会显示当前的音频源选择。

9. 达尼 VEGA 配置

Info (信息)

Info (信息) 菜单会显示系统相关信息, 这些信息可能对故障排查有所帮助。通过 **音量旋钮** 选择并查看所需信息, 使用 **返回/退出** 按钮即可退出该菜单。




Software version
BluOS version
Player name
IP address
LAN MAC addr.
WiFi Mac addr.
Orientation

Reset (重置)

Reset (重置) 菜单可用于删除达尼 VEGA 的用户设置。

通过 **音量旋钮** 选择所需选项, 使用 **返回/退出** 按钮即可退出该菜单。



Reset
Settings
BluOS/WiFi
All

- ! 选择 **Settings** (设置) 选项可重置所有用户设置, 包括蓝牙配对, 但不包括 BluOS 预设和 Wi-Fi 设置。

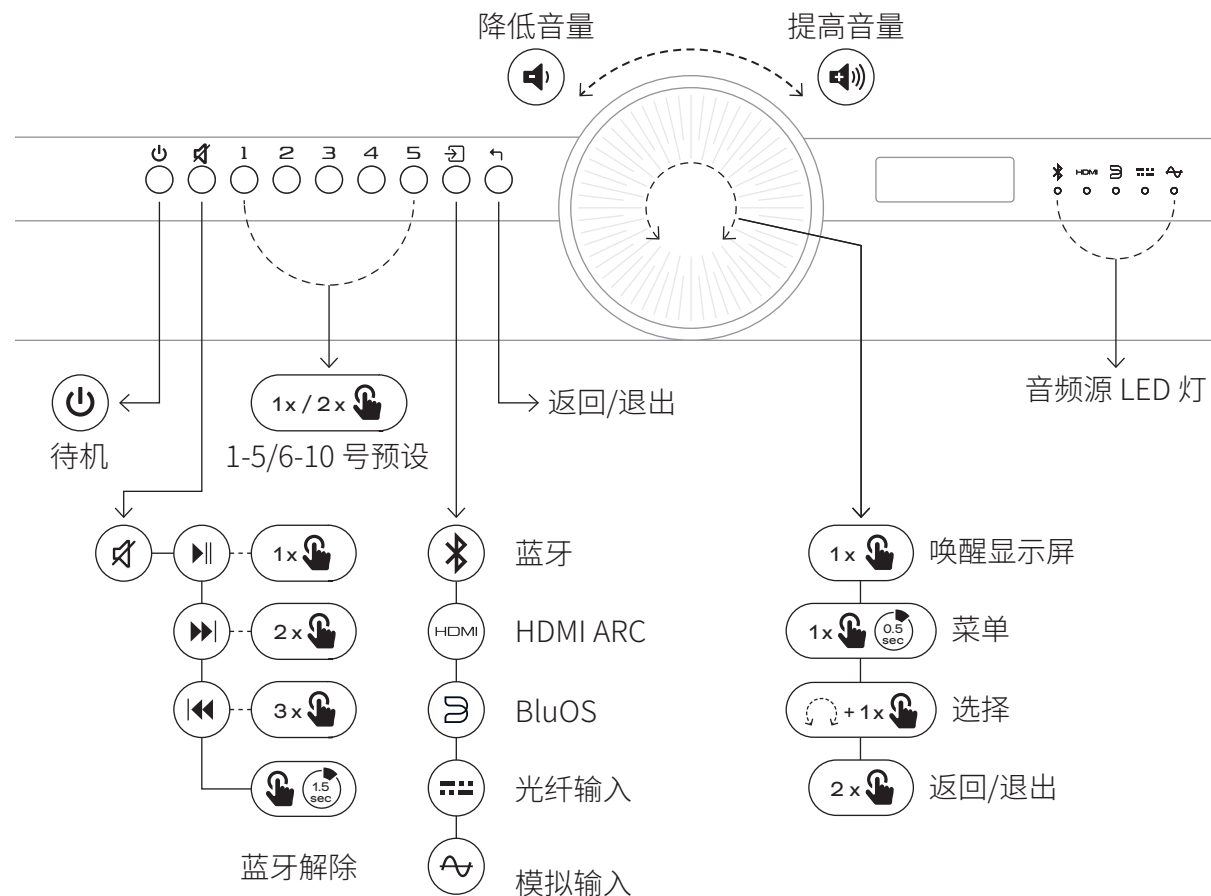
选择 **BluOS/Wi-Fi** 选项将删除已保存的 BluOS 预设, 并重置 Wi-Fi 连接, 达尼 VEGA 会重新进入 BluOS 热点模式, 以备进行新的 Wi-Fi 连接。

All (全部) 选项包含另外两个重置选项。

10. 使用达尼 VEGA

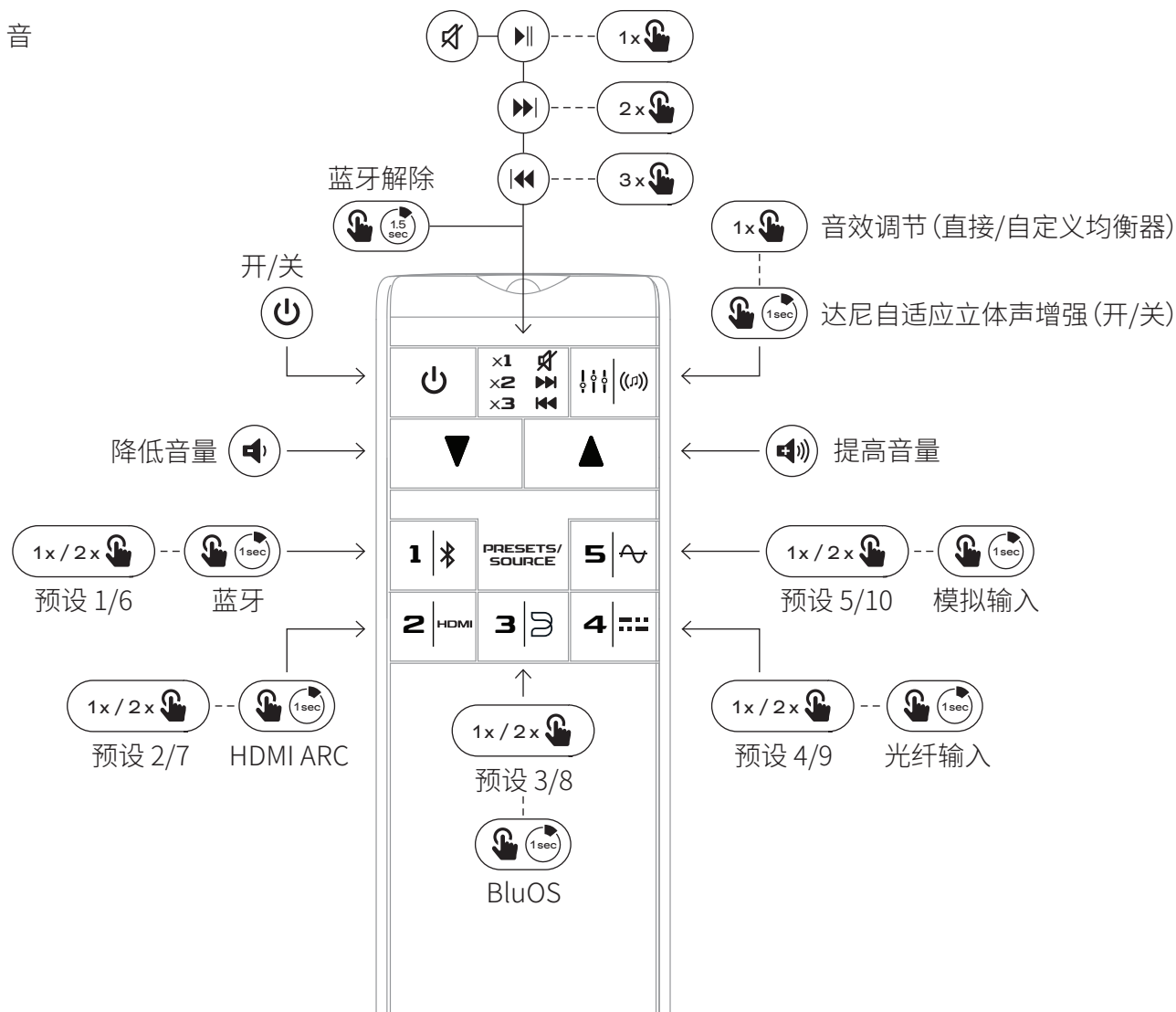
完成达尼 VEGA 的摆放、连接和配置后,即刻播放您喜爱的音乐,尽情享受卓越音效。

要控制达尼 VEGA,可以使用机身上的**按钮和音量旋钮**,也可以使用**遥控器**进行控制。遥控器及其按钮图示见下一页。



10. 使用达尼 VEGA

达尼 VEGA 遥控器可实现达尼 VEGA 音箱最常用的功能。



10. 使用达尼 VEGA

达尼 VEGA 按钮和音量旋钮

达尼 VEGA 的按钮 (从左到右) 具有以下功能:

⏻ 待机按钮

按待机按钮可唤醒达尼 VEGA 或使其恢复待机状态。

! 达尼 VEGA 在待机模式下的功耗小于 0.5 瓦。

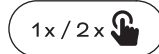
🔇 静音按钮

按**静音**按钮可关闭或恢复音频播放。如果当前所选的音频源支持播放控制功能, 则可通过**静音**按钮控制其功能: 按一下可**播放/暂停**, 按两下可**跳至下一曲**, 按三下可**返回上一曲**。长按**静音**可解除蓝牙连接。

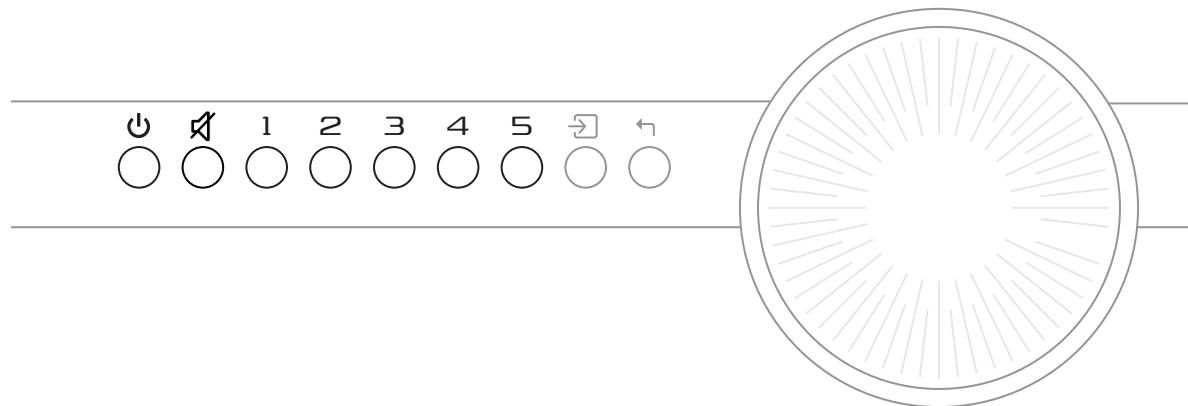


1 至 10 号预设按钮

使用这些**预设**按钮可快速选择任何已保存的项目, 例如电台频道或流式传输服务。



按一下可激活 1 至 5 号预设。
按两下可激活 6 至 10 号预设。



10. 使用达尼 VEGA

☞ 输入按钮

按**输入**按钮可滚动浏览并选择达尼 VEGA 的可用信号输入，其顺序如下：



蓝牙



HDMI ARC



BluOS



光纤输入

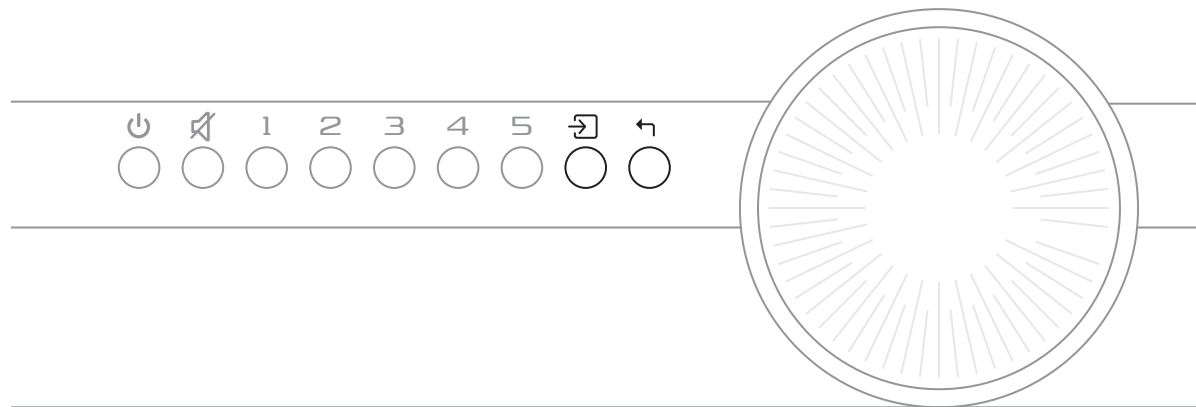


模拟输入

! 按一下输入按钮后，会显示当前选择的信号源。继续按该按钮会依次切换不同信号源。

☞ 返回/退出按钮

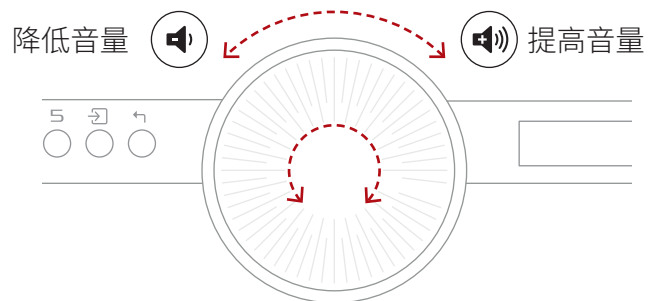
按**返回/退出**按钮可返回上一级菜单。



10. 使用达尼 VEGA

音量旋钮

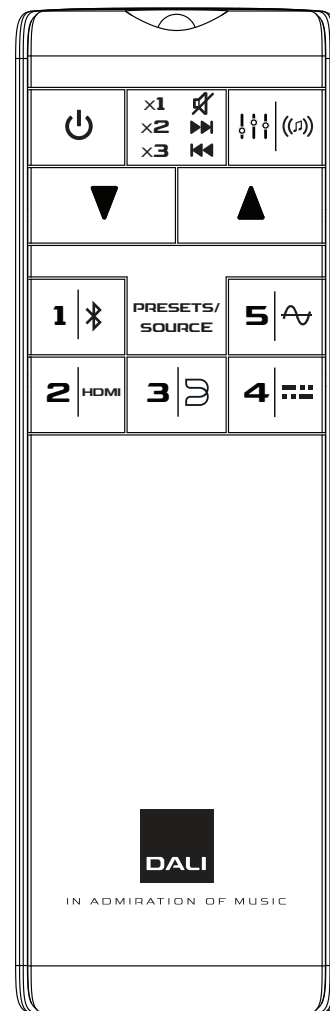
当达尼 VEGA 已开启且未处于设置菜单模式时,可使用**音量旋钮**控制音量。顺时针旋转可提高音量,逆时针旋转可降低音量。



遥控器

达尼 VEGA 遥控器可实现达尼 VEGA 音箱最常用的功能。

达尼 VEGA 遥控器及其按钮图示见第 24 页。



11. 蓝牙连接

11.1 蓝牙配对

要将蓝牙设备连接至达尼 VEGA：

1. 打开达尼 VEGA。
2. 使用输入按钮选择“蓝牙输入”。
3. 达尼 VEGA 已进入蓝牙配对模式。
 - a. 如果蓝牙 LED 灯闪烁，表示当前未连接任何设备。
 - b. 如果蓝牙 LED 灯常亮，表示设备已连接。要断开已经连接的设备，请使用蓝牙解除功能。
 - c. 每次只能连接一个蓝牙设备。
 - d. 在您的设备上启动蓝牙配对。当配对完成时，会从已连接的蓝牙设备播放音乐。

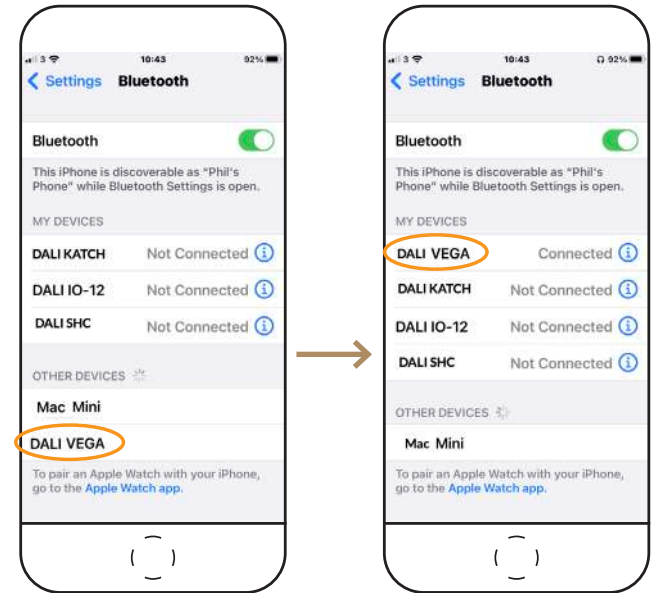
选择蓝牙连接后，如果之前有设备与达尼 VEGA 进行过配对，且当前处于连接范围内，则达尼 VEGA 会自动连接最近使用过的设备。

达尼 VEGA 不会自动启动播放。播放功能必须从已连接的设备上启动，还可短按达尼 VEGA 上的静音按钮或使用遥控器来启动。

11.2 蓝牙解除

如果无法将设备与达尼 VEGA 配对：

1. 长按蓝牙解除按钮（静音按钮），直到播放蓝牙解除声，且蓝牙 LED 灯（LED 1）开始闪烁。
2. 连接的设备现已解除，您可以重新进行配对。
3. 还可以通过菜单系统中 **Input settings**（输入设置）-> **Bluetooth**（蓝牙）开启蓝牙解除功能。



! 达尼 VEGA 最多可与 8 台蓝牙设备配对。

! 如果您在 BluOS 应用程序中更改了达尼 VEGA 的名称，其蓝牙名称也会相应改变。

12. 保养与支持

除家中其他贵重物品所需的同类保养之外, 达尼 VEGA 无需任何特殊处理。使用柔软的干布擦去箱体上的灰尘。

达尼不建议使用任何清洁液或喷雾。

13. BLUOS 故障排查

BluOS 徽标旁的多色指示灯还可指示达尼 VEGA 的 BluOS 状态:

指示灯代码	说明
 红色常亮, 然后闪烁绿色	正在启动/重启设备
 绿色常亮	热点模式
 闪烁绿色	正在连接网络
 白色脉冲	有软件更新
 红色常亮	升级模式
 交替闪烁红色和绿色	正在升级
 闪烁蓝色	静音模式
 白色常亮	正在进行检索
 蓝色常亮	已连接至网络 – 现可搭配 BluOS 应用程序使用
 闪烁红色	正在恢复出厂设置
 紫色常亮	热点模式已超时

如需了解更多信息, 请访问 Bluesound 支持页面:

 [Bluesound 支持页面](#)

14. 固件更新

可能会通过 BluOS 应用程序不定期发布达尼 VEGA 的更新固件。更新后的固件可能会提高性能和可靠性或引入新功能。



15. 功耗

离线模式

长按待机按钮 5 秒。这将禁用所有连接并将功耗降至最低，直到再次按下待机按钮重新激活 VEGA。

联网待机模式

如果 20 分钟内没有播放任何音频且用户没有进行任何选择，则会自动激活联网待机模式。在此模式下，任何用户操作，包括在连接的音频源上开始播放音乐，都会自动唤醒 VEGA。

停用 Wi-Fi

当 VEGA 连接以太网线时，无线网络功能将自动停用。

模式	功耗	激活	停用
活动 (无音频)	9.2 W	(参见“联网待机模式”)	(参见“联网待机模式”)
联网待机 (HiNA)	2.9 W	20 分钟无音频和用户操作后自动激活	任何用户操作，包括开始播放
离线	< 0.7 W	手动，长按待机按钮	手动，按下待机按钮

16. DALI VEGA 规格

达尼 VEGA

频率范围	32 - 22,700 Hz, ± 3 dB
最高声压级 @ 1 m	110 dB
分频频率	2,400 Hz
分频原理	8 通道有源二分频
高频驱动单元	4 \times 25 mm 软球顶
高频振膜	软织物
低/中频驱动单元	4 \times 4½ 英寸
低/中频振膜	纸和木纤维音盆
箱体类型	调谐质量阻尼箱体 2 \times 矩形无源辐射器 (3 \times 6 英寸)
无源辐射器调谐频率	32 Hz
放大器类型	D 类桥式负载 (BTL)
放大器连续输出功率	8 \times 50 W RMS
放大器总输出功率	400 W
连接输入	1 \times HDMI (ARC) 1 \times 模拟输入 (RCA, 非平衡、立体声) 1 \times 光纤输入 (Toslink、立体声) 1 \times USB 音频/维修 (硬盘或 U 盘)
连接输出	重低音输出 USB 电源 (5 V/1 A)
重低音输出低通滤波器	120 Hz

达尼 VEGA

数字输入格式	PCM、立体声
无线输入	蓝牙 BluOS Spotify Connect Tidal Connect Apple AirPlay 2
蓝牙输入编解码器	AAC aptX aptX HD
BluOS 输入编解码器	MP3 AAC (M4A、MP4) WMA OGG FLAC ALAC (M4A) WMA-L MQA WAV AIFF (AIF、AIFC) PCM DSD256 (DSD 转 PCM)
支持的输入音频格式	16-24 位音频 32 / 44.1 / 48 / 96 / 192 kHz 采样率
推荐安装位置	直立: 自由空间 直立: 近墙 直立: 靠近拐角/墙壁 挂墙: 横向 挂墙: 竖向

接下页

16. DALI VEGA 规格

达尼 VEGA

功能	自适应方向调节 (Adaptive Orientation Adjustment) 自适应立体声增强 多达 40 项可编程预设 音效调节 (直接/自定义均衡器) 后墙距离 蓝牙解除/删除 HDMI 音频延迟 光纤信号/载波检测 输入感应 LED 灯设置 恢复出厂设置 待机 (自动电源) 静音 开机/关机 音量 音频源选择
----	--

最大功耗	250 W
待机功耗	≤ 3 W
尺寸 (高 × 宽 × 深)	143 x 683 x 243 毫米 5.63 x 26.90 x 9.57 英寸
外包装尺寸 (高 × 宽 × 深)	330 x 870 x 200 毫米 13.0 x 34.25 x 7.87 英寸
重量	8.7 kg 19.18 lb
装运重量	13.3 kg 29.32 lb
饰面	Dark Oak (深橡木色) Natural Oak (天然橡木色)

达尼 VEGA

附带配件	1 × 遥控器 2 × AAA 电池 (用于遥控器) 2 × 壁挂托架 (墙壁) 2 × 壁挂托架 (VEGA) 2 × 螺钉, 用于 VEGA 壁挂托架 1 × M6 内六角扳手 1 × 线缆固定器 1 × 电源线 1 × 产品注册卡 1 × 快速入门指南 2 × 壁挂安装模板 1 × 安全手册
------	--

所有技术规格如有更改, 恕不另行通知。

法律声明

以下术语为各自所有者的商标或注册商标:

蓝牙®	蓝牙技术联盟
BluOS™	Bluesound International, Lenbrook Industries Limited 下属部门
HDMI®	HDMI Licensing Administrator, Inc.
Wi-Fi®	Wi-Fi 联盟

達尼 VEGA

手冊

版本 1.0 - 2026 年 3 月
中國傳統



目錄

1. 簡介 412
2. 包裝清單 413
3. 開箱 414
4. Wi-Fi 連線與 BluOS 設置 415
5. 擺放達尼 VEGA 416
6. 纜線管理 418
7. 達尼 VEGA 壁掛安裝 419
8. 有線連線 424
9. 達尼 VEGA 配置 427
10. 使用達尼 VEGA 433
11. 藍牙連線 438
12. 保養與支持 439
13. BluOS 故障排除 439
14. 韌體更新 440
15. 功耗 441
16. 達尼 VEGA 規格 442

1. 簡介

恭喜您購買新的達尼 VEGA。達尼 VEGA 是一款頂尖的一體式音響系統,採用簡約時尚的單體設計,旨在成為同類家庭音響系統的性能標竿。達尼 VEGA 音質卓越,功能全面,將直覺易用的操作體驗與獨具魅力的丹麥奢華設計融為一體。

本使用手冊介紹了達尼 VEGA 的安裝與使用方法。

開始安裝和使用達尼 VEGA 之前,應先閱讀本手冊。

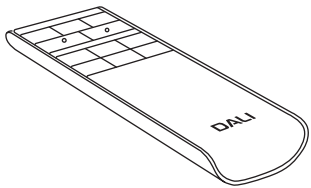
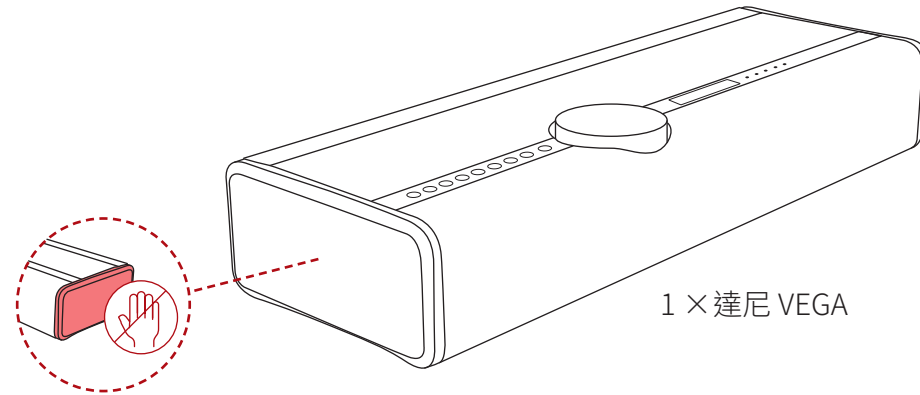
本手冊首先列出了達尼 VEGA 包裝箱內的物品清單,然後介紹了達尼 VEGA 的擺放、連線、配置以及日常使用方法。



2. 包裝清單

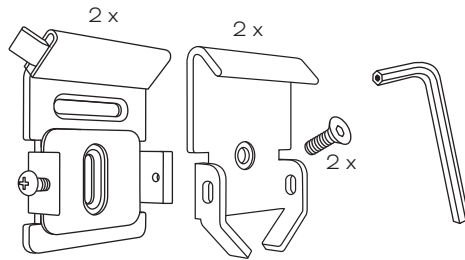
達尼 VEGA 包裝內的物品清單如下所示。

! 請勿觸碰達尼 VEGA 兩端的被動輻射器單體。



1 × 遙控器

2 × AAA 電池 (用於遙控器)

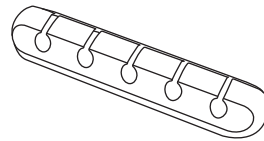


2 × 壁掛托架 (牆壁)

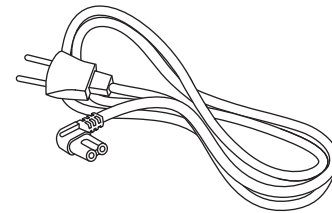
2 × 壁掛托架 (VEGA)

2 × 螺釘, 用於 VEGA 壁掛托架

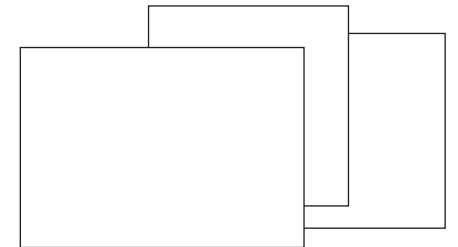
1 × M6 內六角扳手



1 × 纜線固定器



1 × 電源線



1 × 產品註冊卡

1 × 快速入門手冊

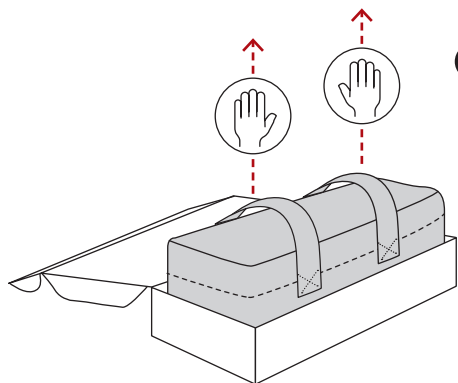
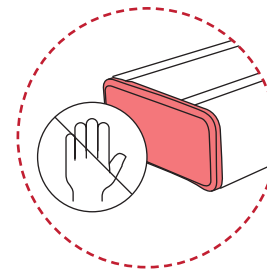
2 × 壁掛安裝模板

1 × 安全手冊

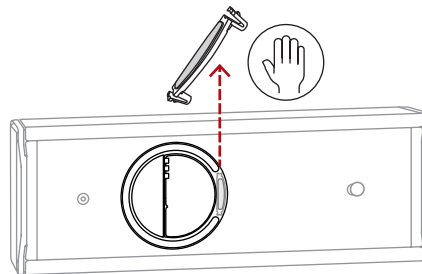
3. 開箱

重要提示!

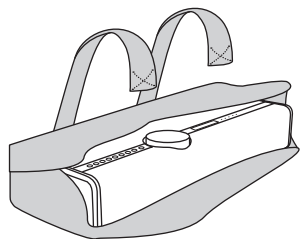
開箱時請勿觸碰被動輻射器。



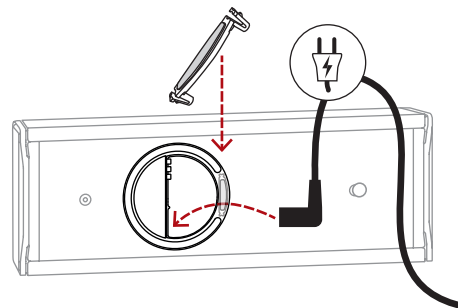
- 1** 打開箱蓋,提起兩根帶子將 VEGA 從箱內取出。



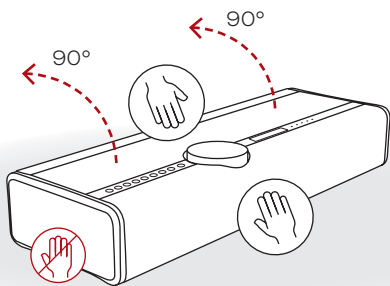
- 4** 插入電源線以及其他纜線。



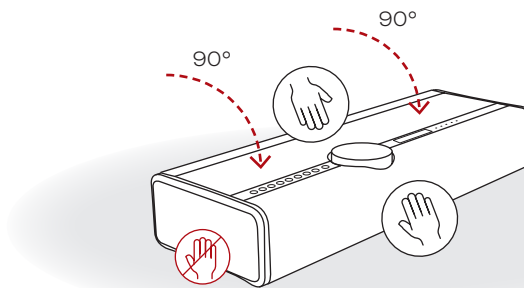
- 2** 鬆開尼龍搭扣帶並取下蓋子。



- 5** 裝上線夾,然後將 VEGA 翻轉至底朝下。



- 3** 將 VEGA 向背面傾斜 90 度。
打開並取下線夾。



- 6** VEGA 現已準備就緒,可進行 Wi-Fi 連線。

4. WI-FI 連線與 BLUOS 設置

1 啟動達尼 VEGA

等待 BluOS LED 燈變為綠色常亮,指示「Hotspot」(熱點) 模式。

2 取得 BluOS 應用程式

使用智慧型手機或平板電腦,下載並開啟 BluOS 應用程式。



3 將達尼 VEGA 加入網路

依照「新增播放器」精靈程式的步驟完成 BlueOS 設定。



造訪 bluesound.com/downloads 下載應用程式

初始網路設定需使用智慧型手機或平板電腦上的 BluOS 應用程式完成。確保您已下載並安裝該應用程序,開始使用時,請將您的智慧型手機或平板電腦放在身旁。

! 如果您使用的是 iOS 裝置,也可以透過 iOS Wi-Fi 設定中的「設定新的隔空播放喇叭」選項將達尼 VEGA 連線至 Wi-Fi 網路。



! 取得審驗證明之低功率射頻器材,非經核准,公司、商號或使用者均不得擅自變更頻率、加大功率或變更原設計之特性及功能。

低功率射頻器材之使用不得影響飛航安全及干擾合法通信;經發現有干擾現象時,應立即停用,並改善至無干擾時方得繼續使用。

前述合法通信,指依電信管理法規定作業之無線電通信。

低功率射頻器材須忍受合法通信或工業、科學及醫療用電波輻射性電機設備之干擾。

應避免影響附近雷達系統之操作。

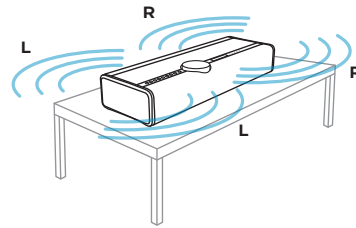
! 如果達尼 VEGA 的區域網路(網路)介面已連線至家庭路由器或網路交換機,則無需連線 Wi-Fi。您可以在 BluOS Controller 應用程式中完成達尼 VEGA 的設定。

→ [Bluesound 支援頁面](#)

5 擺放達尼 VEGA

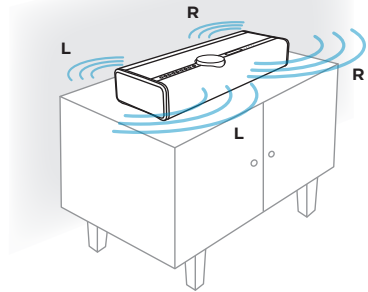
達尼 VEGA 具有出色的多功能性，適合安裝在家中各種位置。例如，可將其擺放在桌面、家具、書架或窗台上。達尼 VEGA 也可使用選配的達尼 VEGA 壁掛托架安裝在牆上，支援橫向和縱向安裝。對於達尼 VEGA 的擺放位置，如果您傾向於使用有線網路連線，唯一的要求是能夠連線電源以及網路路由器或交換器。

達尼 VEGA 會根據擺放方向自動調整立體聲訊號在前後喇叭之間的分配方式，無論是直立、橫向或垂直擺放，都能實現合理音效。顯示方向也能自動旋轉。



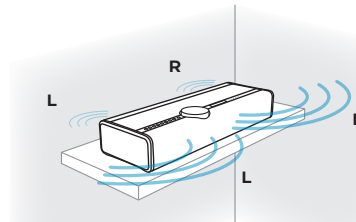
1 直立：自由空間

達尼 VEGA 雙向發聲：前後方向皆可發聲。
推薦後牆距離設定：
Free (自由)。



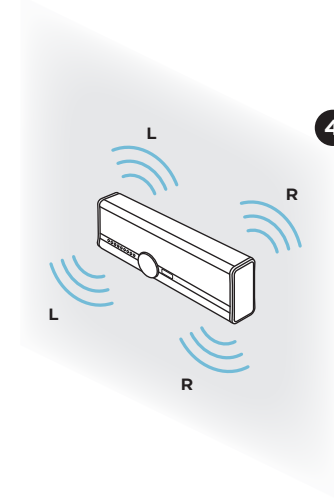
2 直立：近牆

達尼 VEGA 的前向發聲量大於後向發聲量。
推薦後牆距離設定：
Medium (中距)。



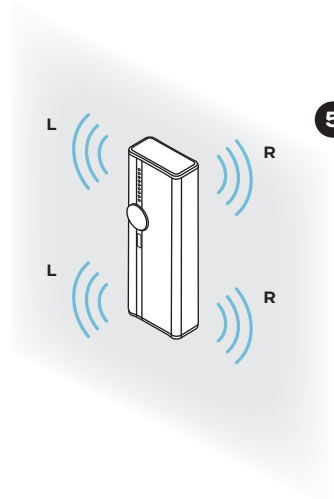
3 直立：靠近角落/牆壁

在該模式下，達尼 VEGA 的後向發聲量更小。
推薦後牆距離設定：
Short (短距)。



4 掛牆：橫向

達尼 VEGA 雙向發聲。
後牆距離會自動設定。



5 掛牆：豎向

達尼 VEGA 雙向發聲。
正面的單體播放左音路，背面的單體播放右音路。
後牆距離會自動設定。

5 擺放達尼 VEGA

自適應方向調節 (Adaptive Orientation Adjustment)

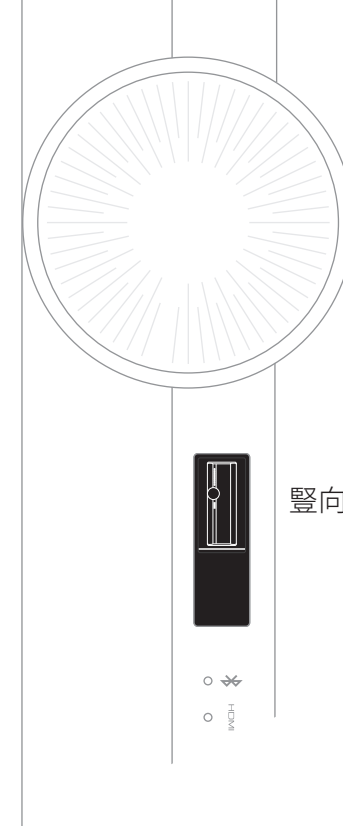
達尼 VEGA 搭載了由達尼工程師自主研發的先進自適應方向調節技術。憑藉自適應方向調節技術,達尼 VEGA 可無縫融入任何生活空間,並支援各種擺放或安裝方式。

VEGA 內建方向感應器,能夠智慧偵測自身的安裝方向,無論是直立擺放在架子或桌面上,或是以橫向或縱向模式安裝在牆上,都能精準辨別。還能自動重新配置立體聲音路映射,確保音訊逼真度達到最佳。此即時調整功能可提升空間定位精準度與立體聲聲

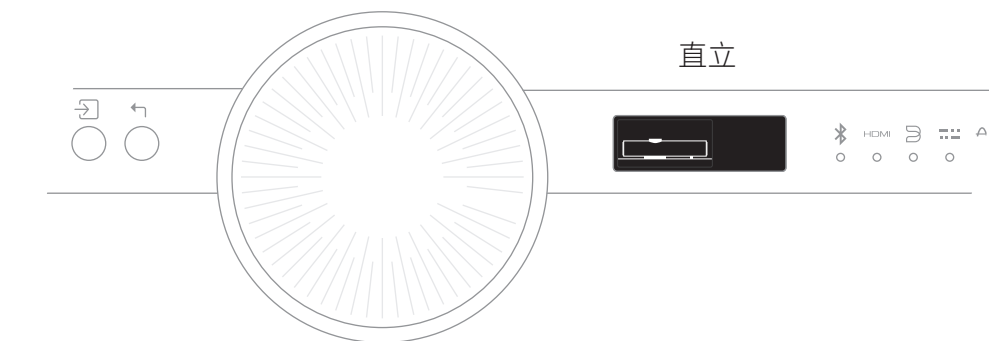
像,無論採用何種擺放方式,都能帶來一致的沉浸式聆聽體驗。

自適應方向調節是 VEGA 環境感知設計概念的核心組成部分,使其能在聲學層面適配使用者偏好,以精準清晰的表現提升音樂播放效果。

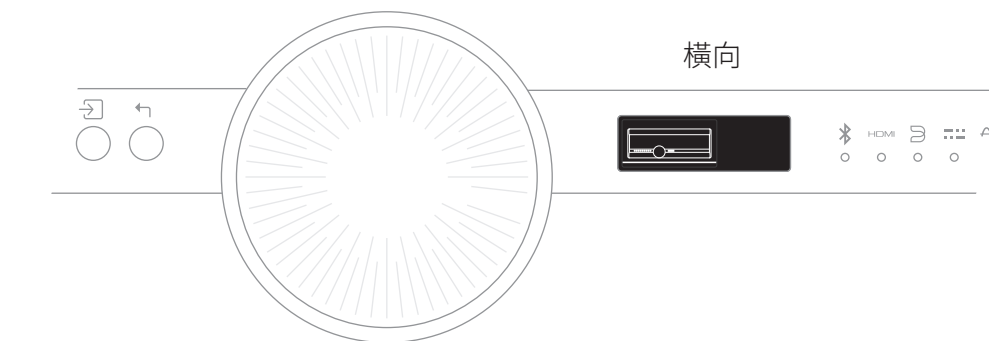
將 VEGA 擺放在所需方向後,顯示屏會顯示三個標識中的一個,以指示已啟動的自適應方向調節模式。



豎向



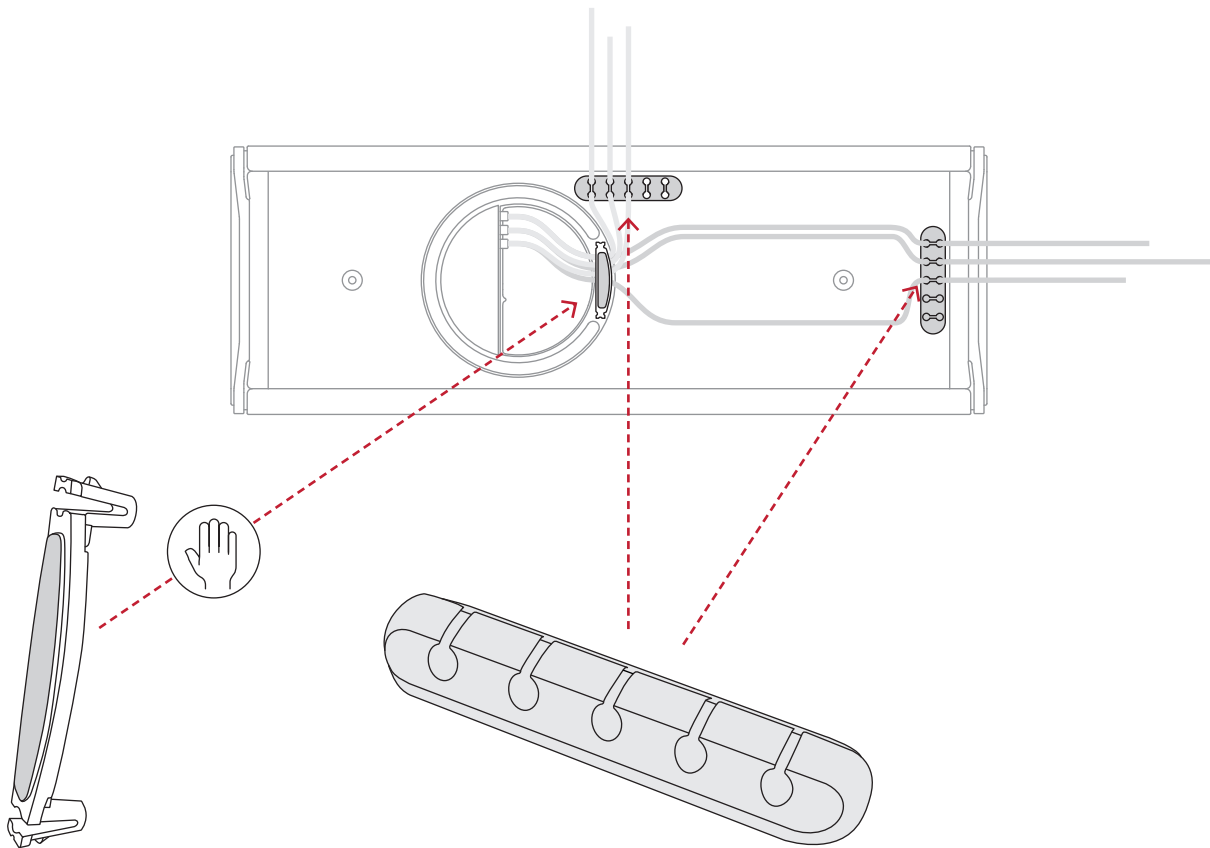
直立



橫向

6 纜線管理

VEGA 背面有一個線夾,用手指按壓兩端即可打開。此功能與隨附的纜線固定器搭配使用,在任何擺放方向或位置下,您都能輕鬆整理纜線。



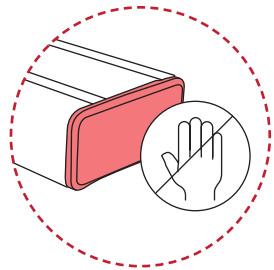
7 達尼 VEGA 壁掛安裝

若要以橫向或縱向模式將達尼 VEGA 安裝在牆上，請使用隨附的四個壁掛托架。

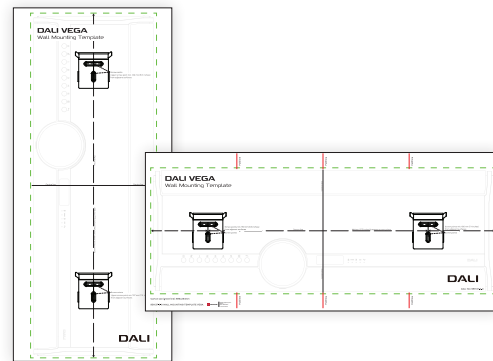
使用隨附的壁掛托架螺釘和 M6 內六角扳手，將其中兩個壁掛托架固定在達尼 VEGA 的背面。

剩下的兩個壁掛托架需用四顆合適的螺釘（未隨附）固定在牆壁上。

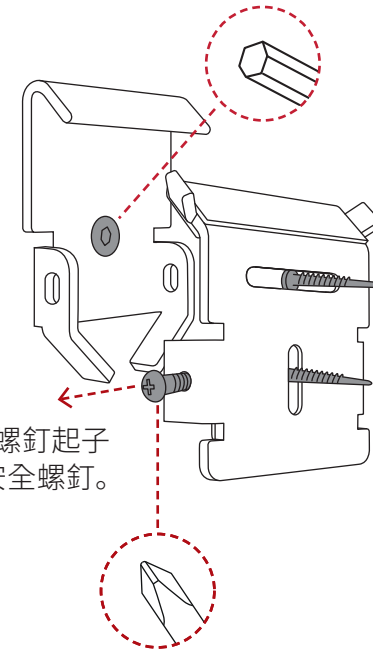
請按照後幾頁中的步驟操作。



! 安裝時請勿觸碰被動輻射器。



達尼 VEGA 的托架各用一顆托架螺釘（隨附）安裝。借助 M6 內六角扳手將托架牢固地固定到位。



安裝喇叭前，應使用十字螺釘起子（未隨附）鬆開安全螺釘。

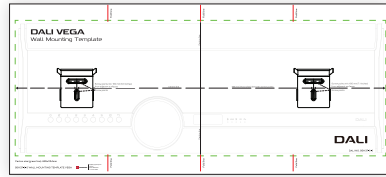
裝在牆壁上的托架使用兩顆螺釘固定，應根據牆壁類型選取合適的螺釘（未隨附）。

! 使用隨附的**壁掛安裝模板**，您可輕鬆確定壁掛支架的安裝位置。

隨附兩個**壁掛安裝模板**：一個用於橫向安裝，另一個用於垂直安裝。

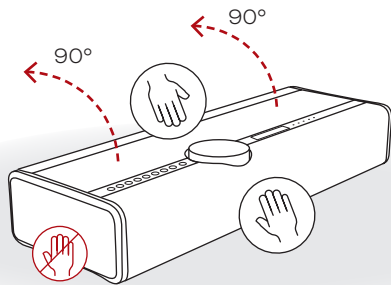
7 達尼 VEGA 壁掛安裝

橫向 (1/2)

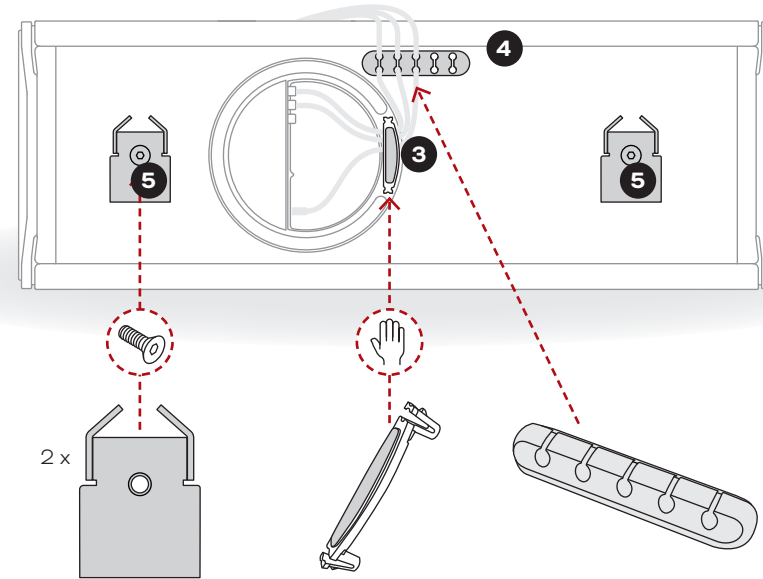
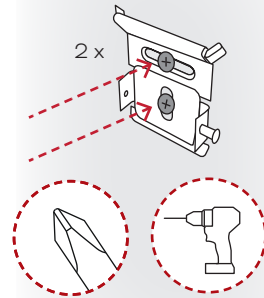


❶ 使用隨附的橫向壁掛安裝模板標記出 2 x 2 的鑽孔位置,然後將兩個壁掛托架固定在牆壁上。

❷ 將 VEGA 向背面傾斜 90 度。



❗ 切勿將 VEGA 正面朝下或頂面朝下放置,以免意外刮傷音量旋鈕。



❸ 將 VEGA 壁掛托架固定在橫向安裝位置。

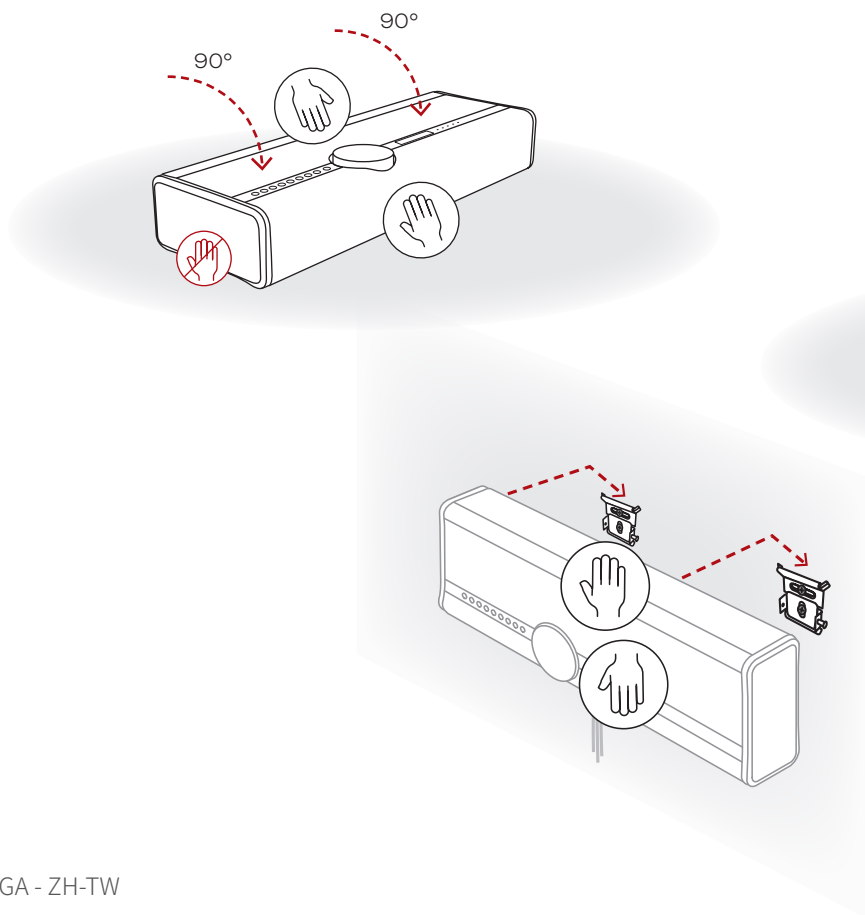
❹ 貼上自黏纜線固定器,然後將纜線從中穿過。

❺ 拆下線夾,連線各纜線後再重新裝上。

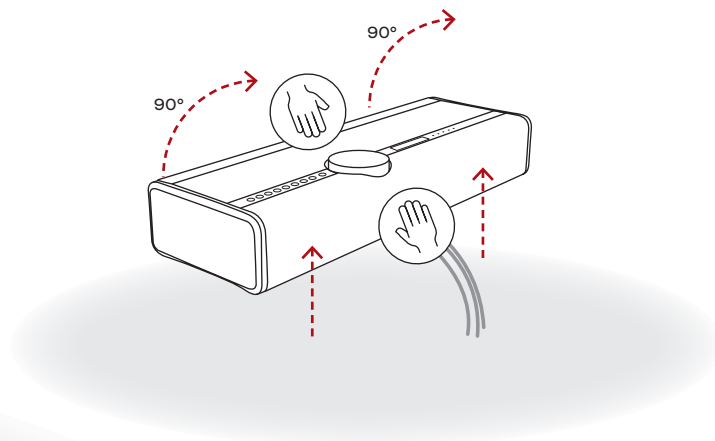
7 達尼 VEGA 壁掛安裝

橫向 (2/2)

6 將 VEGA 翻轉至底朝下。

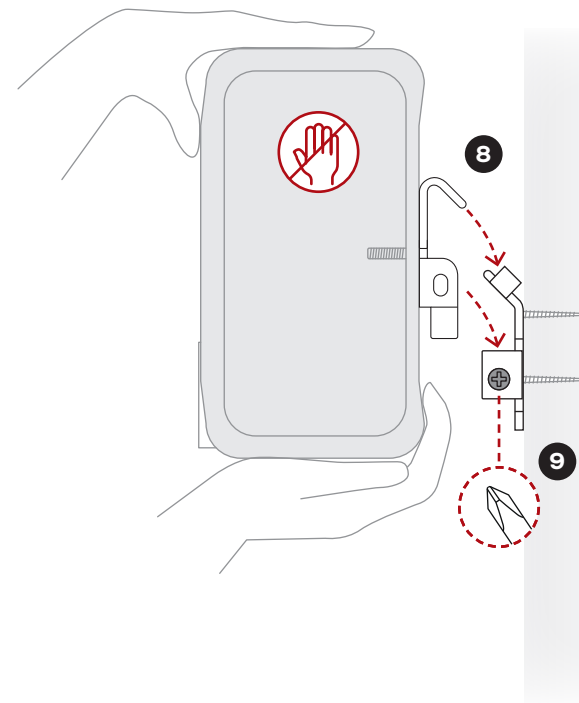


7 抬起並轉動 VEGA,使其底部(及壁掛托架)朝向牆壁。



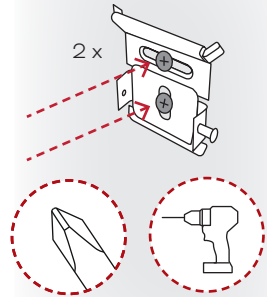
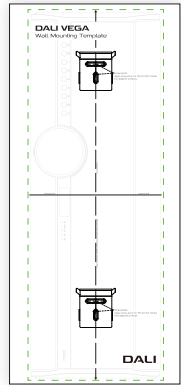
8 將 VEGA 小心抬高並對準托架,然後固定到位。

9 使用十字螺釘起子鎖緊安全螺釘。

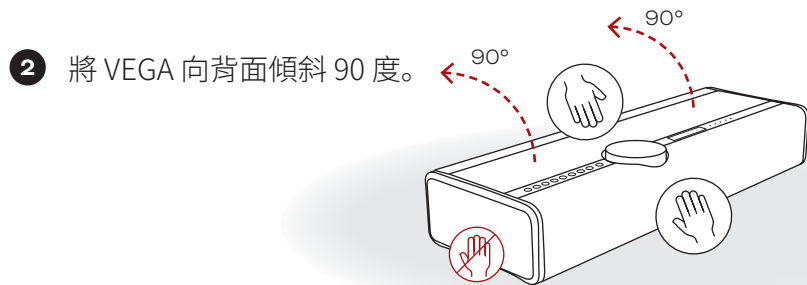


7 達尼 VEGA 壁掛安裝

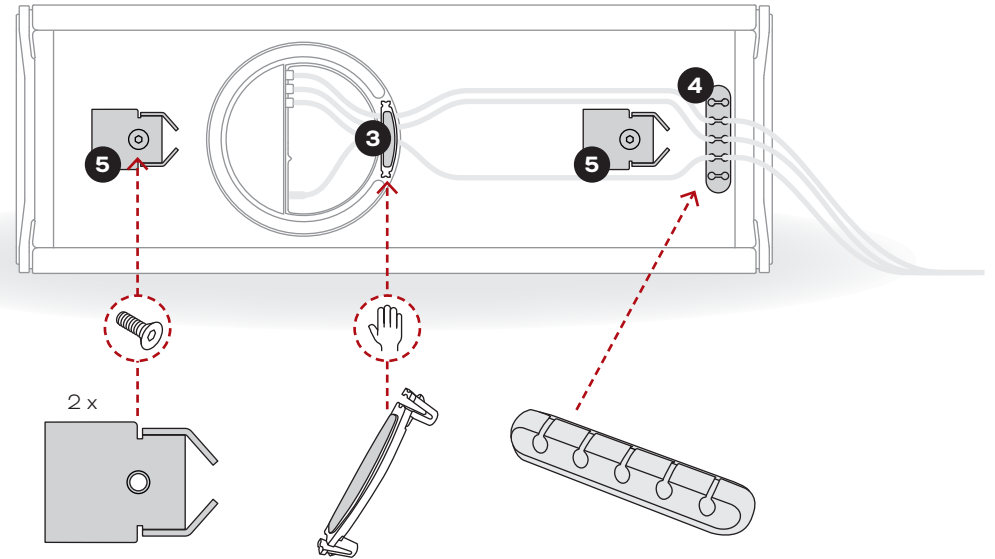
豎向 (1/2)



- 1 使用隨附的垂直壁掛安裝模板標記出 2 x 2 的鑽孔位置,然後將兩個壁掛托架固定在牆壁上。



- 2 將 VEGA 向背面傾斜 90 度。

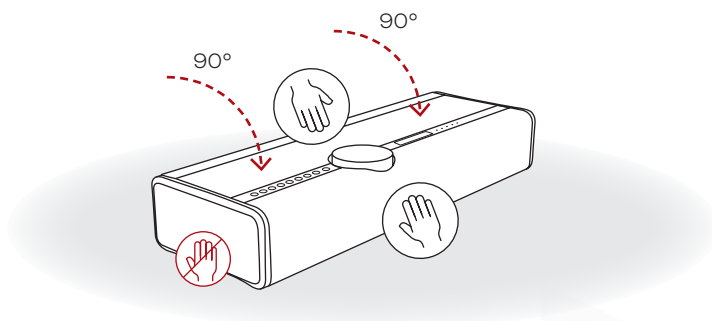


- 3 拆下線夾,連線各纜線後再重新裝上。
- 4 貼上自黏纜線固定器,然後將纜線從中穿過。
- 5 將 VEGA 壁掛托架固定在垂直安裝位置。

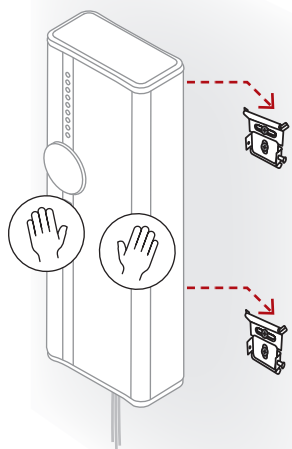
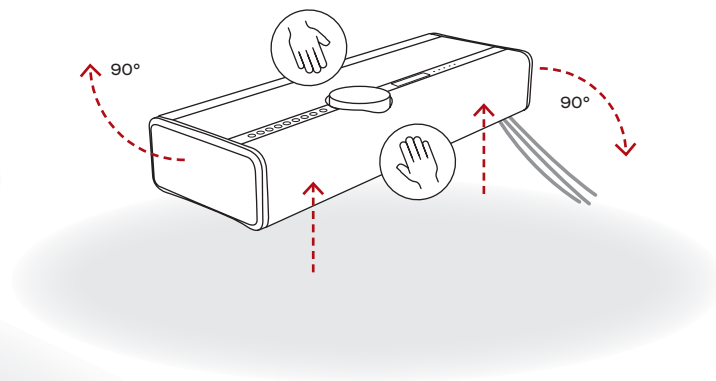
7 達尼 VEGA 壁掛安裝

豎向 (2/2)

6 將 VEGA 翻轉至底朝下。

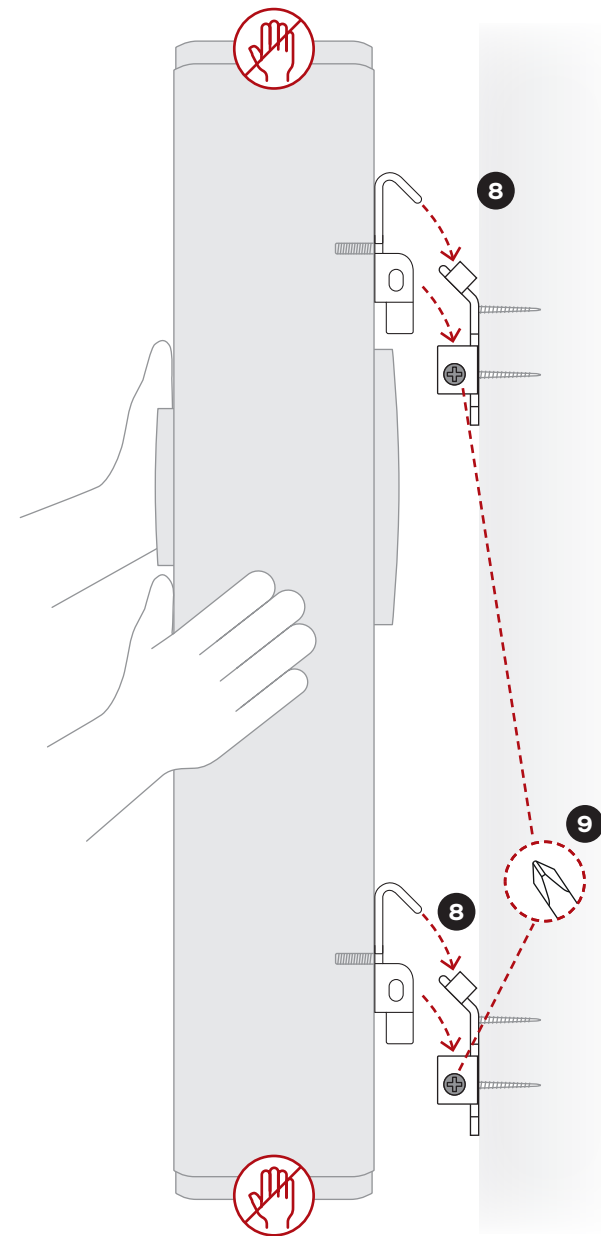


7 抬起並轉動 VEGA, 使其底部 (及壁掛托架) 朝向牆壁, 然後順時針旋轉至垂直安裝位置。



8 將 VEGA 小心抬高並對準托架, 然後固定到位。

9 使用十字螺釘起子鎖緊安全螺釘。



8. 有線連線

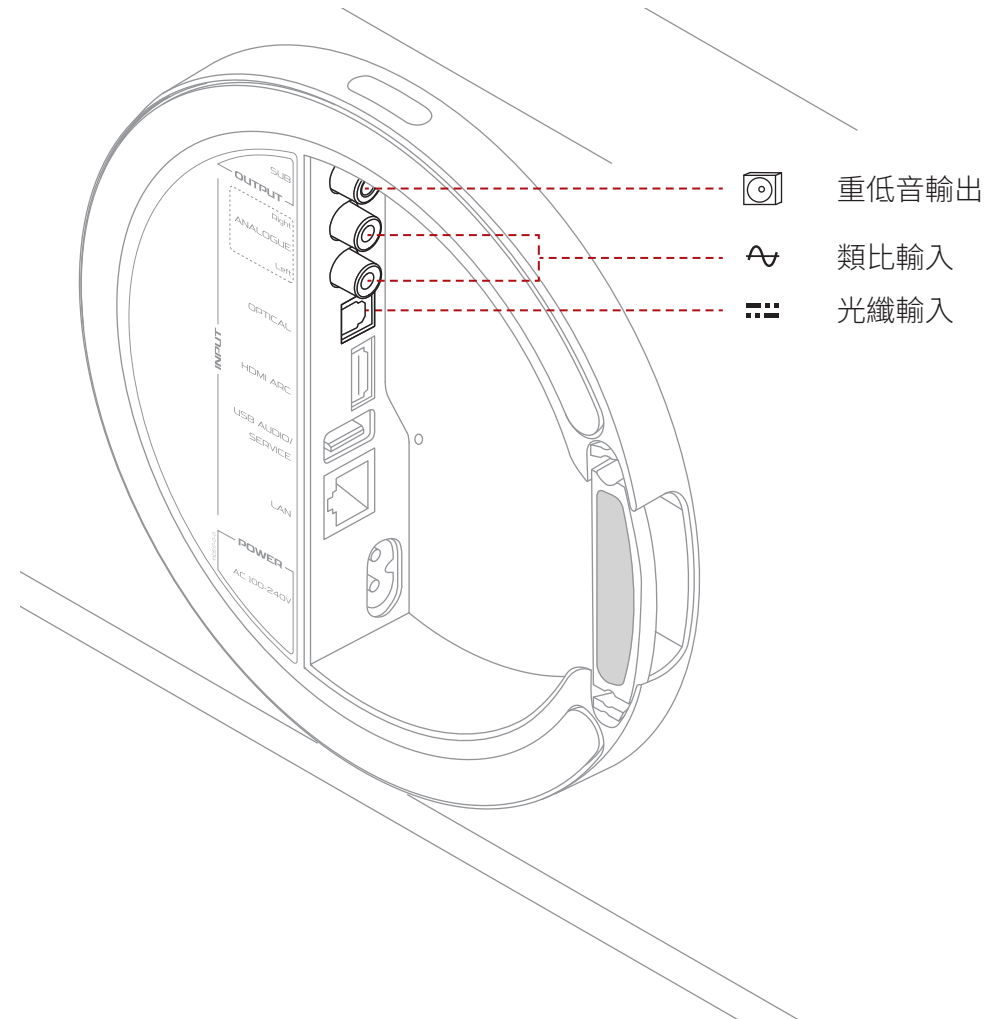
達尼 VEGA 提供豐富多樣的連線方式,可輕鬆整合到您的家庭音響系統中。

有線連線插孔位於連線面板處,包含以下幾個介面：

重低音喇叭輸出：單一 RCA 唱機插孔,可連線外接重低音喇叭,以提升達尼 VEGA 的低音性能。重低音喇叭的輸出訊號為單音路,並經過低通濾波器處理,頻率限定在 120 Hz 以內。

類比輸入：一對立體聲 RCA 唱機插孔,可連線帶有線路電平輸出的外接音訊來源,例如,CD 播放機或內建 RIAA 的唱盤。

光纖輸入：一個 TOSLINK 光纖數位音訊插孔,可連線光纖數位輸出的外接音訊來源,例如,電視機或 CD 播放機。



8. 有線連線

HDMI ARC:如果您的電視配備了 HDMI ARC (音訊回傳通道) 接口,請將其連線至達尼 VEGA 的 HDMI ARC 接口。您可能還需要在電視設定功能表中選取用於音訊播放的外接喇叭,並啟用 CEC (消費性電子控制) 功能。電視音訊的輸出格式應設定為「PCM」或「立體聲」。

使用 HDMI 和 CEC,您可以透過電視遙控器來控制達尼 VEGA 的音量、靜音和待命功能。

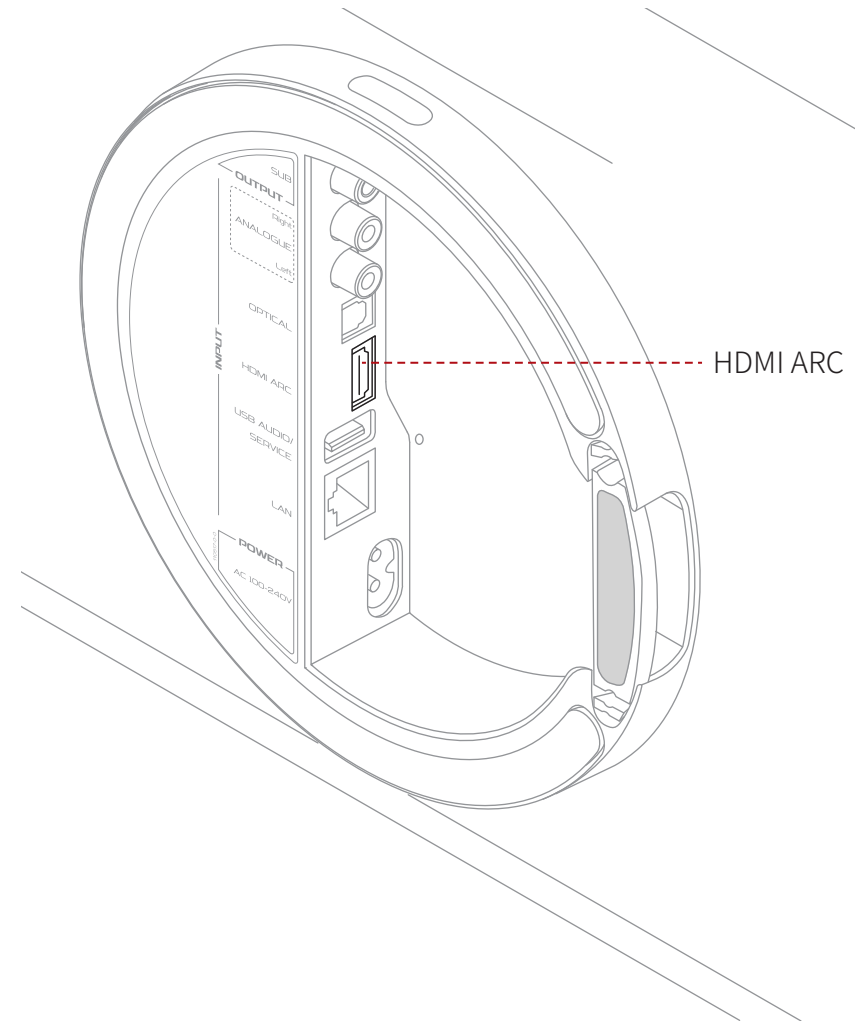
! 如果您的電視不支援 HDMI ARC,或遇到 HDMI 相容性問題,達尼建議您採用光纖連線,將電視的光纖音訊輸出介面與達尼 VEGA 連線。

這種情況下,您仍可使用 HDMI 連線,並使用電視遙控器透過 CEC 功能控制達尼 VEGA。

若要使用電視遙控器透過 HDMI 控制達尼 VEGA 的基礎功能(音量、靜音、開機/關機),必須在電視上啟用 HDMI CEC。

HDMI CEC 的名稱因電視品牌而異:

- 三星: Anynet+
- LG: SimpLink
- 索尼: Bravia Sync
- 飛利浦: EasyLink
- 松下: Viera Link
- 日立: HDMI-CEC



8. 有線連線

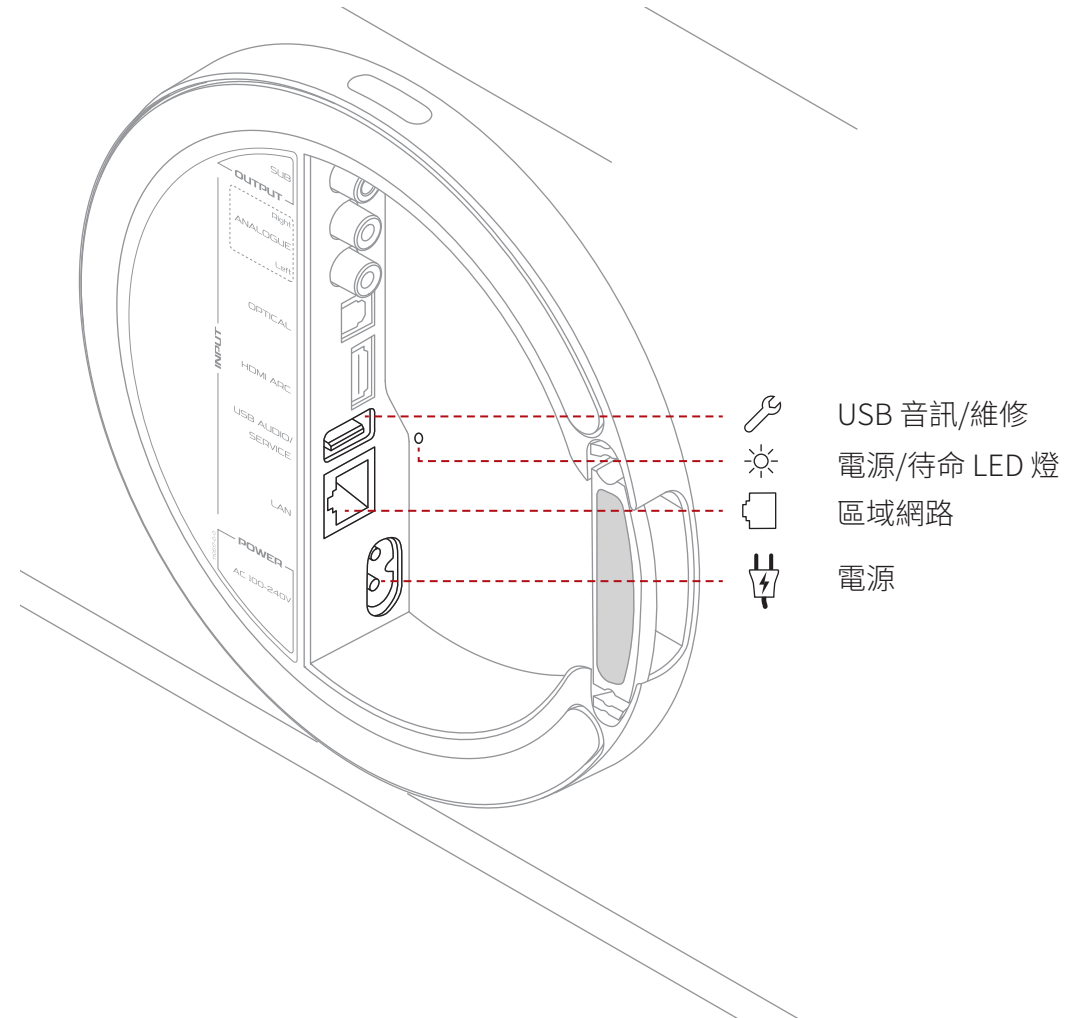
USB 音訊/維修:達尼 VEGA USB 插孔有兩個功能。首先,此插孔支援達尼 VEGA 播放硬碟、筆式磁碟機等 USB 儲存媒體中的音樂檔案,同時也能透過 BluOS 在其所連線的家庭網路內分享這些音樂檔案。其次,達尼 VEGA USB 插孔還具有軟體更新和維修功能。

➔ [開始使用 BluOS](#)

電源/待命 LED 燈:電源/待命 LED 燈指示達尼 VEGA 的電源狀態。

區域網路(網路):達尼 VEGA 的網路介面可透過有線網路連線,提供 BluOS 應用程式的音樂串流功能。如果您的達尼 VEGA 要採用有線網路連線,請將網路介面連線至家庭網路路由器或交換機,使用標準網線即可。

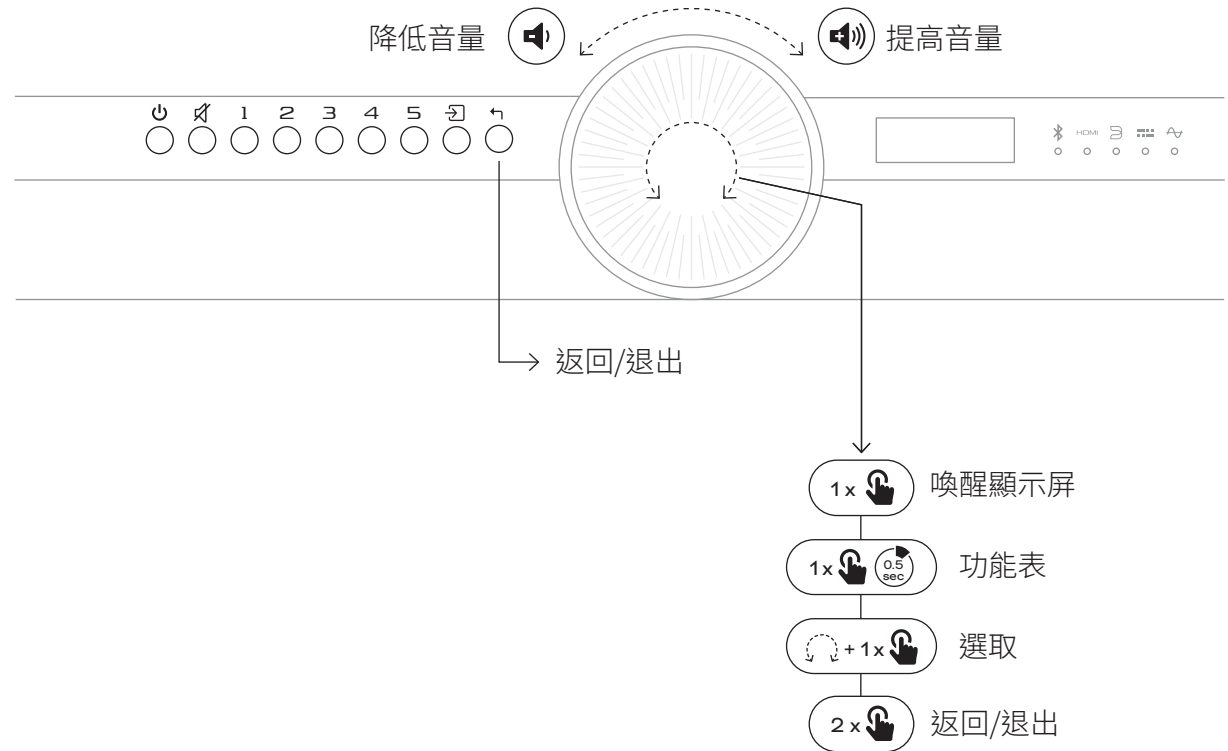
電源:使用隨附電源線將達尼 VEGA 連線到電源。



9 達尼 VEGA 配置

將達尼 VEGA 擺放好並連線至電源、無線網路和所需的有線音訊來源後,即可開始設定。

達尼 VEGA 透過功能表顯示屏進行設定。使用**音量旋鈕**來選取功能表選項。輕觸**音量旋鈕**表面即可確認選取。使用**音量旋鈕**左側的**返回/退出**按鈕儲存選定選項,同時返回設定功能表。



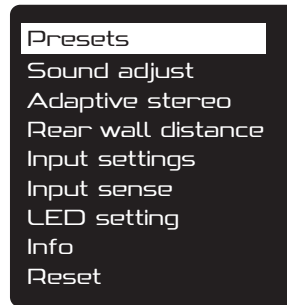
9 達尼 VEGA 配置

達尼 VEGA 功能表

若要進入達尼 VEGA 的設定功能表,請輕觸並長按**音量旋鈕**中心一次。配置功能表的頂層將會顯示在顯示屏上。轉動**音量旋鈕**可上下捲動功能表,再次輕觸音量旋鈕中心即可選取功能表選項並進入其子功能表。

以下詳細介紹了每個頂層功能表項目下的配置選項。

! 如果 10 秒內未在功能表中進行任何選取,達尼 VEGA 的顯示屏將會回到初始介面。



Presets (預設)

Presets (預設) 功能表可顯示並啟動 BluOS 應用程式中所建立的預設。總共可將 10 項 BluOS 預設 (透過 BluOS 應用程式) 分配至音量旋鈕左側的 5 個預設按鈕。

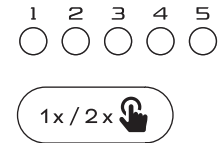
1 至 10 號預設

使用這些**預設**按鈕可快速選取任何已儲存的項目,例如電台頻道或串流服務。

點選可啟動 1 至 5 號預設。
兩下可啟動 6 至 10 號預設。

其他已儲存的 BluOS 預設皆可在 **Presets (預設)** 功能表中找到,此功能表可啟動最多 40 個預設。您可以將目前選定的任何音訊來源 (例如網路電台頻道或串流服務) 指派至其中一個預設按鈕,以便快速呼叫。

➔ [如何新增或刪除預設](#)

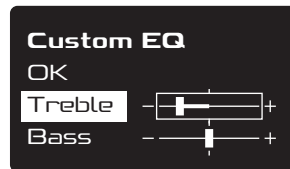
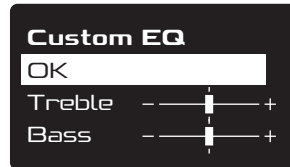
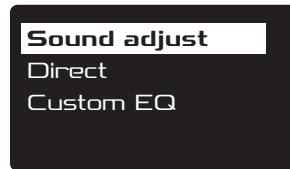


9 達尼 VEGA 配置

Sound adjust (音效調節)

Sound adjust (音效調節) 功能表支援選取 **Direct** (直接) 音訊 (達尼 VEGA 預設音效) 或 **Custom EQ** (自訂等化器)。

若選取 **Custom EQ** (自訂等化器) 選項, 顯示屏會提供低音和高音調節功能, 調節範圍為 +/-10 dB, 步長為 2 dB。透過 **音量旋鈕** 進行低音和高音調整。

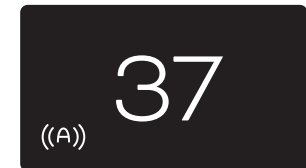


DALI Adaptive Stereo Enhancement™ (達尼自適應立體聲增強)

達尼 VEGA 採用了達尼研發的自適應立體聲增強 (ASE) 技術, 該技術可使聲音更具延展性、沉浸感和吸引力, 從而提升緊湊型喇叭的立體聲體驗。該裝置預設啟用達尼自適應立體聲增強功能, 但也可以根據個人意願將其停用。

Adaptive stereo (自適應立體聲) 功能表可啟用或停用自適應立體聲增強功能。透過 **音量旋鈕** 選取所需選項即可。

- ! 啟用自適應立體聲增強功能後, 主畫面左下角會顯示 ASE 標誌 ((A))。

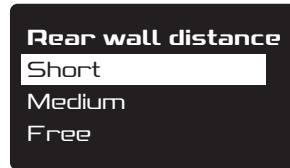


9 達尼 VEGA 配置

Rear wall distance (後牆距離)

與任何喇叭一樣,達尼 VEGA 的音效會受到周圍房間邊界的影響。**Rear wall distance** (後牆距離) 功能表可根據與牆壁之間的距離來調整達尼 VEGA 的聲音。

根據達尼 VEGA 與後牆之間的距離,使用 **音量旋鈕** 選取與之最匹配的選項。

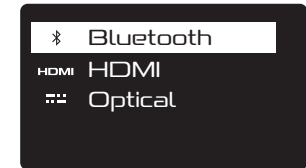


- ! **Short (短距):** 後牆距離小於 10 公分 (3.9 吋)
- Medium (中距):** 後牆距離為 10 - 50 公分 (3.9 - 19.6 吋)
- Free (自由):** 後牆距離大於 50 公分 (19.6 吋)

當達尼 VEGA 採用壁掛安裝時,**Rear wall distance** (後牆距離) 功能表會停用。

Input settings (輸入設定)

Input settings (輸入設定) 功能表可對藍牙、HDMI 和光纖輸入的特定選項進行設定。



這些選項包括：

- 藍牙:** 解除連線、刪除配對。
- HDMI:** 音訊延遲。
- 光纖:** 訊號檢測、載波檢測。

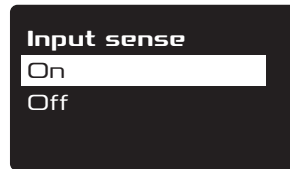
- ! HDMI 音訊延遲能夠優化電視的唇形同步效果。

透過光纖輸入訊號偵測和載波偵測,達尼 VEGA 可在下列任一情況下自動選取其光纖輸入:光纖音訊來源已簡單開啟,或僅存在一個音訊訊號。

9 達尼 VEGA 配置

Input sense (輸入感應)

透過 **Input sense** (輸入感應) 功能表,任一輸入介面偵測到訊號時,達尼 VEGA 可立即從待命狀態自動開機;若 20 分鐘內無任何輸入訊號,裝置將自動關機。可以啟用或停用 **Input sense** (輸入感應)。透過 **音量旋鈕** 選取所需選項即可。



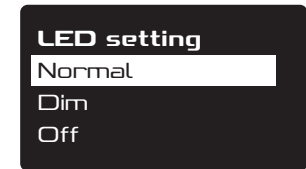
! 若輸入感應已啟用 (**On**,開) 且 VEGA 目前未在播放,偵測到音訊訊號時,裝置將自動選取類比輸入和光纖輸入,

按下音訊來源播放按鈕後,將自動選取藍牙和 BluOS 輸入。

開啟相連的電視後,如果 VEGA 目前未在播放,將自動選取 HDMI ARC 輸入。

LED setting (LED 燈設定)

LED setting (LED 燈設定) 功能表可用於調整達尼 VEGA LED 指示燈的亮度。透過 **音量旋鈕** 選取所需選項即可。

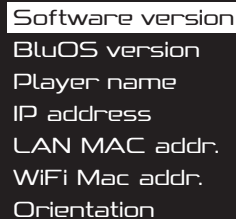


! 如果將 LED setting (LED 燈設定) 功能表設為 **Off** (關),則達尼 VEGA 的 LED 燈將始終處於熄滅狀態,且顯示屏右下角會顯示目前的音訊來源選擇。

9 達尼 VEGA 配置

Info (資訊)

Info (資訊) 功能表會顯示系統相關訊息,這些資訊可能對故障排查有所幫助。透過**音量旋鈕**選取並查看所需信息,使用**返回/退出**按鈕即可退出該功能表。

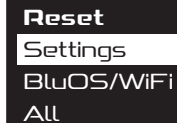


Software version
BluOS version
Player name
IP address
LAN MAC addr.
WiFi Mac addr.
Orientation

重設

Reset (重設) 功能表可用來刪除達尼 VEGA 的使用者設定。

透過**音量旋鈕**選取所需選項,使用**返回/退出**按鈕即可退出此功能表。



Reset
Settings
BluOS/WiFi
All

- ! 選取 **Settings** (設定) 選項可重置所有使用者設置,包括藍牙配對,但不包括 BluOS 預設和 Wi-Fi 設定。

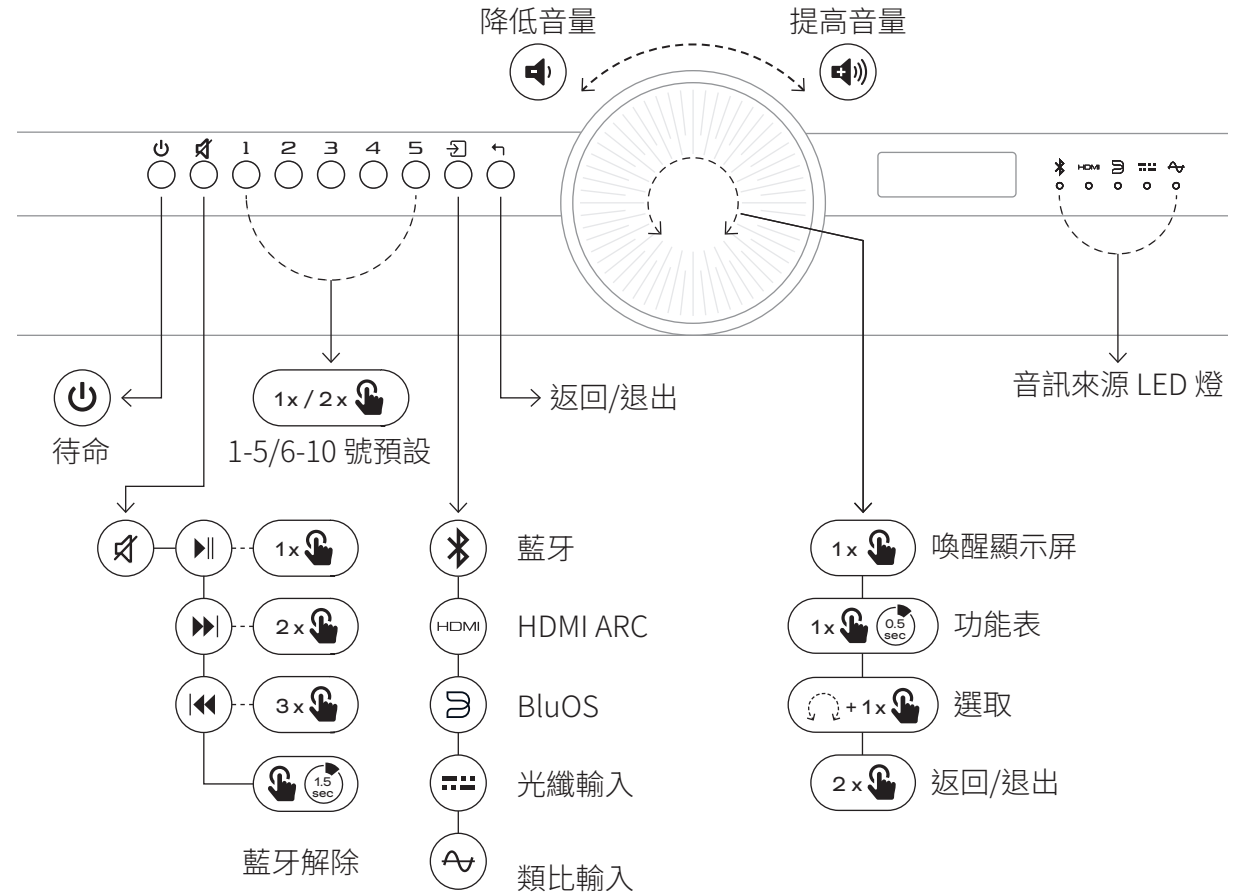
選取 **BluOS/Wi-Fi** 選項將刪除已儲存的 BluOS 預設,並重置 Wi-Fi 連線,達尼 VEGA 會重新進入 BluOS 熱點模式,以便進行新的 Wi-Fi 連線。

All (全部) 選項包含另外兩個重設選項。

10 使用達尼 VEGA

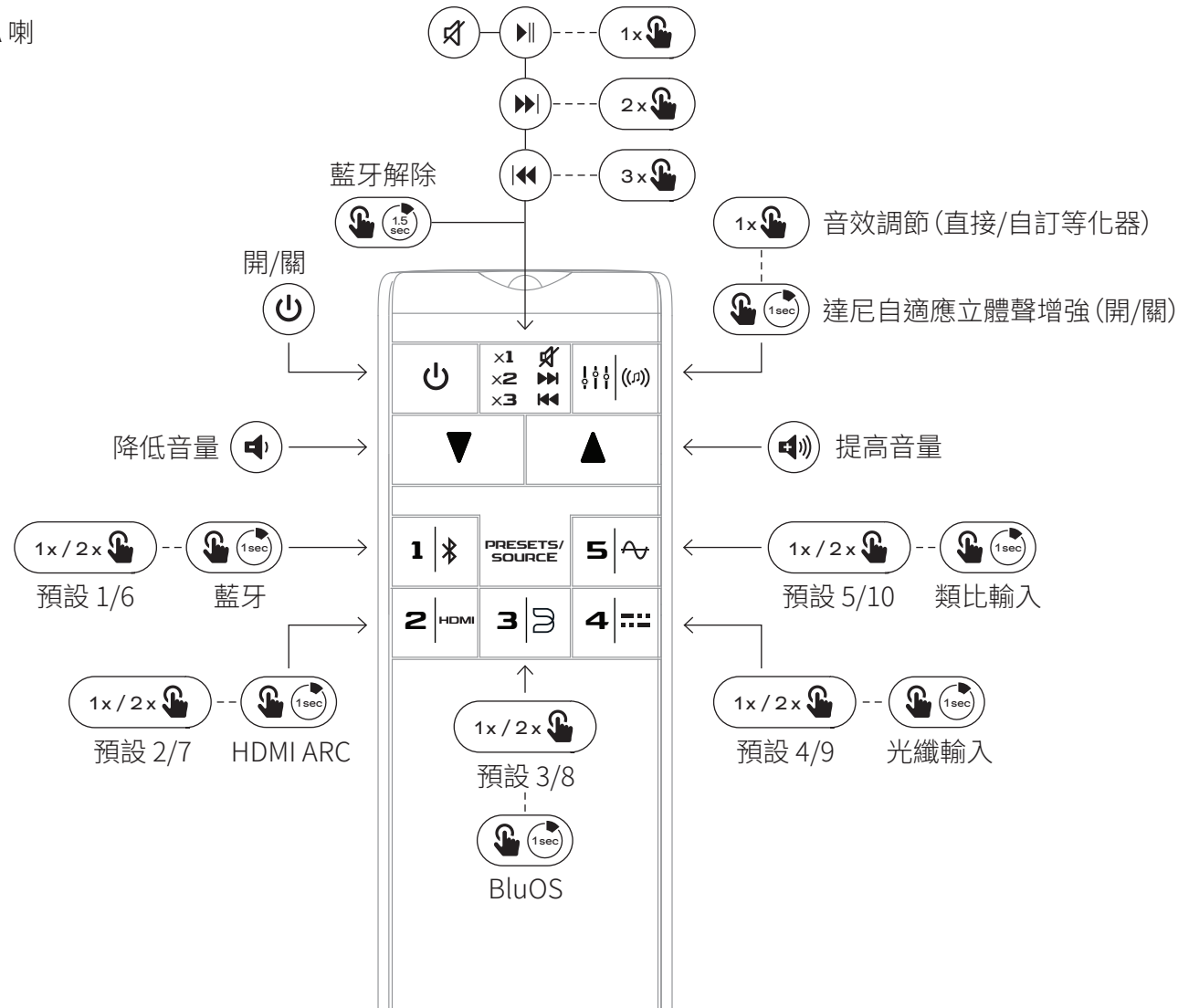
完成達尼 VEGA 的擺放、連線和配置後,即時播放您喜愛的音樂,盡情享受卓越音效。

要控制達尼 VEGA,可以使用機身上的**按鈕**和**音量旋鈕**,也可以使用**遙控器**來控制。遙控器及其按鈕圖示請見下一頁。



10 使用達尼 VEGA

達尼 VEGA 遙控器可實現達尼 VEGA 喇叭最常用的功能。



10 使用達尼 VEGA

達尼 VEGA 按鈕和音量旋鈕

達尼 VEGA 的按鈕 (從左到右) 具有以下功能：

🔌 待命按鈕

按待命按鈕可喚醒達尼 VEGA 或使其恢復待命狀態。

! 達尼 VEGA 在待命模式下的功耗小於 0.5 瓦。

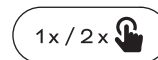
🔇 靜音按鈕

按靜音按鈕可關閉或恢復音訊播放。如果目前所選的音訊來源支援播放控制功能,則可透過靜音按鈕控制其功能:按一下可**播放/暫停**,按兩下可**跳至下一曲**,按三下可**返回上一曲**。長按靜音可解除藍牙連線。

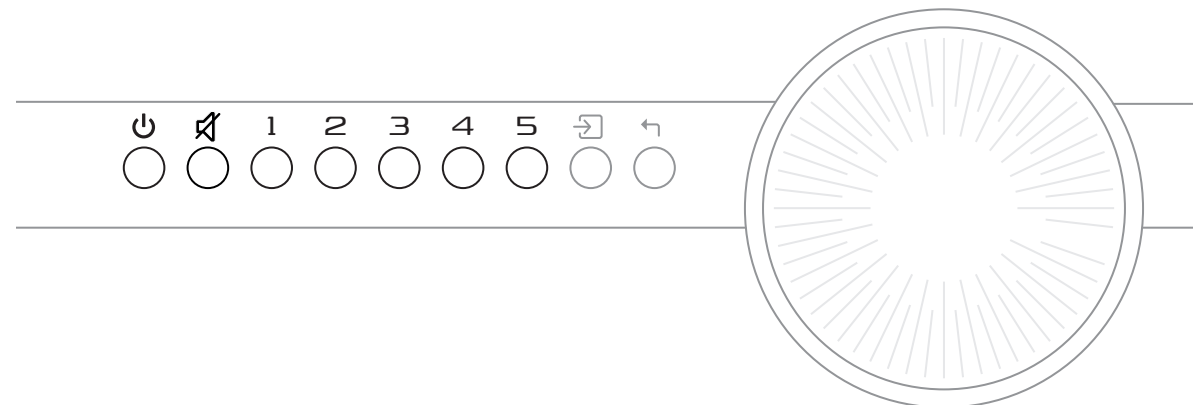


1 至 10 號預設按鈕

使用這些**預設**按鈕可快速選取任何已儲存的項目,例如電台頻道或串流服務。



點選可啟動 1 至 5 號預設。
兩下可啟動 6 至 10 號預設。



10 使用達尼 VEGA

☞ 輸入按鈕

按**輸入**按鈕可捲動並選取達尼 VEGA 的可用訊號輸入,其順序如下:



藍牙



HDMI ARC



BluOS



光纖輸入

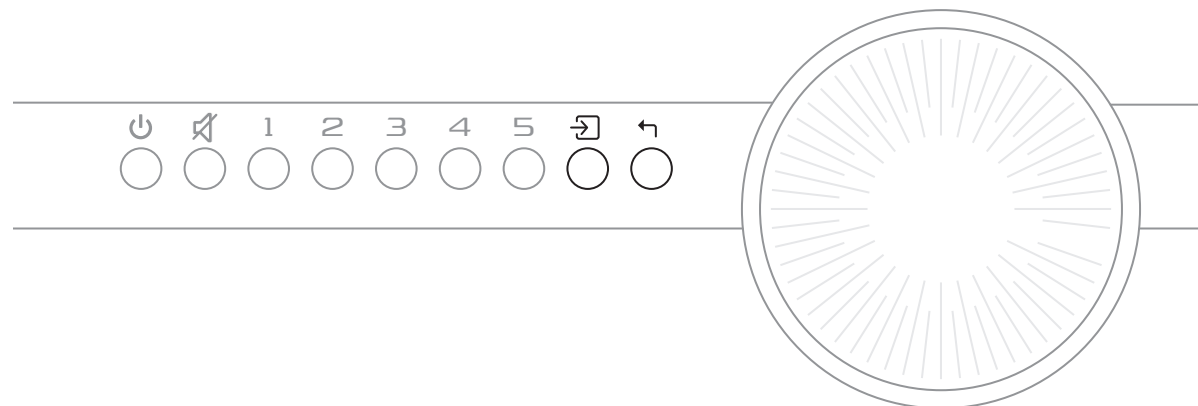


類比輸入

! 按下輸入按鈕後,會顯示目前選取的訊號源。繼續按該按鈕會依序切換不同訊號源。

☞ 返回/退出按鈕

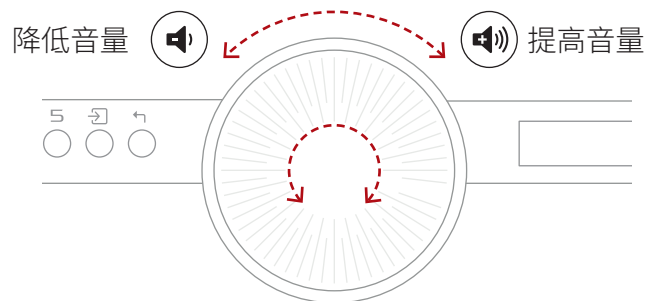
按**返回/退出**按鈕可返回上一層功能表。



10 使用達尼 VEGA

音量旋鈕

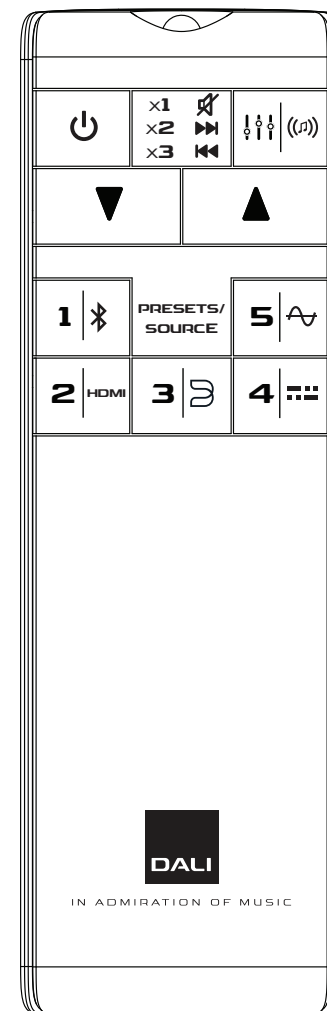
當達尼 VEGA 已開啟且未處於設定功能表模式時,可使用**音量旋鈕**控制音量。順時針旋轉可提高音量,逆時針旋轉可降低音量。



遙控器

達尼 VEGA 遙控器可實現達尼 VEGA 喇叭最常用的功能。

達尼 VEGA 遙控器及其按鈕圖示請見第24頁。



11 藍牙連線

11.1 藍牙配對

若要將藍牙裝置連線至達尼 VEGA：

1. 打開達尼 VEGA。
2. 使用輸入按鈕選取「藍牙輸入」。
3. 達尼 VEGA 已進入藍牙配對模式。
 - a. 如果藍牙 LED 燈閃爍,表示目前未連線任何裝置。
 - b. 如果藍牙 LED 燈常亮,表示裝置已連線。若要中斷已連線的裝置,請使用藍牙解除功能。
 - c. 每次只能連線一個藍牙裝置。
 - d. 在您的裝置上啟動藍牙配對。當配對完成時,會從已連線的藍牙裝置播放音樂。

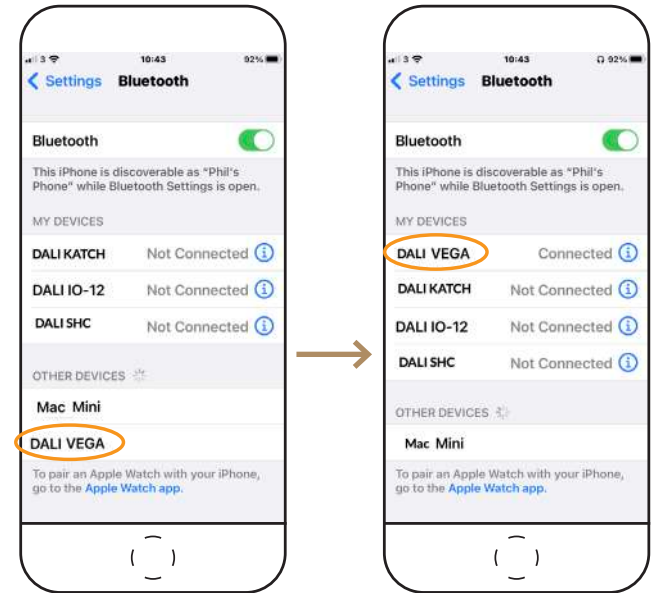
選取藍牙連線後,如果之前有裝置與達尼 VEGA 進行過配對,且目前處於連線範圍內,則達尼 VEGA 會自動連線最近使用過的裝置。

達尼 VEGA 不會自動啟動播放。播放功能必須從已連線的裝置上啟動,也可短按達尼 VEGA 上的靜音按鈕或使用遙控器來啟動。

11.2 藍牙解除

如果無法將裝置與達尼 VEGA 配對：

1. 長按藍牙解除鈕 (靜音鈕),直到播放藍牙解除聲,且藍牙 LED 燈 (LED 1) 開始閃爍。
2. 連線的裝置現已解除,您可以重新進行配對。
3. 也可以透過功能表系統中 **Input settings** (輸入設定) -> **Bluetooth** (藍牙) 開啟藍牙解除功能。



! 達尼 VEGA 最多可與 8 台藍牙裝置配對。

! 如果您在 BluOS 應用程式中更改了達尼 VEGA 的名稱,其藍牙名稱也會隨之改變。

12 保養與支持

除家中其他貴重物品所需的同類保養之外,達尼 VEGA 無需任何特殊處理。使用柔軟的乾布擦去箱體上的灰塵。

達尼不建議使用任何清潔液或噴霧。

13 BLUOS 故障排除

BluOS 標誌旁的多色指示燈也可指示達尼 VEGA 的 BluOS 狀態：

指示燈代碼	說明
 / 	紅色常亮,然後閃爍綠色 正在啟動/重新啟動裝置
	綠色常亮 熱點模式
	閃爍綠色 正在連線網路
	白色脈衝 有軟體更新
	紅色常亮 升級模式
 / 	交替閃爍紅色和綠色 正在升級
	閃爍藍色 靜音模式
	白色常亮 正在進行檢索
	藍色常亮 已連線至網路-現可搭配 BluOS 應用程式使用
	閃爍紅色 正在恢復出廠設置
	紫色常亮 熱點模式已逾時

如需了解更多信息,請訪問 Bluesound 支援頁面：

 [Bluesound 支援頁面](#)

14. 韌體更新

可能會透過 BluOS 應用程式不定期發布達尼 VEGA 的更新韌體。
更新後的韌體可能會提高效能和可靠性或引入新功能。



15. 功耗

離線模式

長按待命按鈕 5 秒。這將禁用所有連線並將功耗降至最低，直到再次按下待命按鈕重新啟用 VEGA。

網路待命模式

如果 20 分鐘內沒有播放任何音訊且使用者沒有進行任何選擇，則會自動啟用網路待命模式。在此模式下，任何使用者操作，包括在連線的音訊來源上開始播放音樂，都會自動喚醒 VEGA。

停用 Wi-Fi

當 VEGA 連線乙太網線時，無線網路功能將自動停用。

模式	功耗	啟用	停用
活動 (無音訊)	9.2 W	(參閱「網路待命模式」)	(參閱「網路待命模式」)
網路待命 (HiNA)	2.9 W	20 分鐘無音訊和用戶操作後自動啟用	任何使用者操作，包括開始播放
離線	< 0.7 W	手動，長按待命按鈕	手動，按下待命按鈕

16. 達尼 VEGA 規格

達尼 VEGA

頻率範圍	32 - 22,700 Hz, ±3 dB
最高聲壓位準 @ 1 m	110 dB
分頻頻率	2,400 Hz
分頻原理	8 頻道主動式二分頻
高頻單體	4 × 25 mm 軟凸盆
高頻振膜	軟織物
低/中頻單體	4 × 4½英寸
低/中頻振膜	紙和木纖維錐盆
外殼類型	調諧質量阻尼箱體 2 × 矩形被動式輻射器 (3 × 6 吋)
被動輻射器調諧頻率	32 Hz
放大器類型	D 類橋式負載 (BTL)
放大器連續輸出功率	8 × 50 W RMS
放大器總輸出功率	400 W
連線輸入	1 × HDMI (ARC) 1 × 類比輸入 (RCA 非平衡、立體聲) 1 × 光纖輸入 (Toslink、立體聲) 1 × USB 音訊/維修 (硬碟或 USB)
連線輸出	重低音輸出 USB 電源 (5 V/1 A)
重低音輸出低通濾波器	120 Hz

達尼 VEGA

數位輸入格式	PCM、立體聲
無線輸入	藍牙 BluOS Spotify Connect Tidal Connect Apple AirPlay 2
藍牙輸入編解碼器	AAC aptX aptX HD
BluOS 輸入編解碼器	MP3 AAC (M4A、MP4) WMA OGG FLAC ALAC (M4A) WMA-L MQA WAV AIFF (AIF、AIFC) PCM DSD256 (DSD 轉 PCM)
支援的輸入音訊格式	16-24 位音頻 32 / 44.1 / 48 / 96 / 192 kHz 採樣速率
推薦安裝位置	直立：自由空間 直立：近牆 直立：靠近角落/牆壁 掛牆：橫向 掛牆：豎向

16. 達尼 VEGA 規格

達尼 VEGA

功能	自適應方向調節 (Adaptive Orientation Adjustment) 自適應立體聲增強 多達 40 項可程式化預設 音效調節 (直接/自訂等化器) 後牆距離 藍牙解除/刪除 HDMI 音訊延遲 光纖訊號/載波檢測 輸入感應 LED 燈設定 恢復出廠預設值 待命 (自動電源) 靜音 開機/關機 音量 音訊來源選取
最大功耗	250 W
待命功耗	≤ 3 W
尺寸 (高 × 寬 × 深)	143 x 683 x 243 毫米 5.63 x 26.90 x 9.57 英吋
外包裝尺寸 (高 × 寬 × 深)	330 x 870 x 200 毫米 13.0 x 34.25 x 7.87 英吋
重量	8.7 kg 19.18 lb
裝運重量	13.3 kg 29.32 lb
飾面	Dark Oak (深橡木色) Natural Oak (天然橡木色)

達尼 VEGA

附帶配件	1 × 遙控器 2 × AAA 電池 (用於遙控器) 2 × 壁掛托架 (牆壁) 2 × 壁掛托架 (VEGA) 2 × 螺釘, 用於 VEGA 壁掛托架 1 × M6 內六角扳手 1 × 纜線固定器 1 × 電源線 1 × 產品註冊卡 1 × 快速入門手冊 2 × 壁掛安裝模板 1 × 安全手冊
------	--

所有技術規格如有變更,恕不另行通知。

法律聲明

以下術語為各自所有者的商標或註冊商標:

藍牙®	藍牙科技聯盟
BluOS™	Bluesound International, Lenbrook Industries Limited 下屬部門
HDMI®	HDMI Licensing Administrator, Inc.
Wi-Fi®	Wi-Fi 聯盟