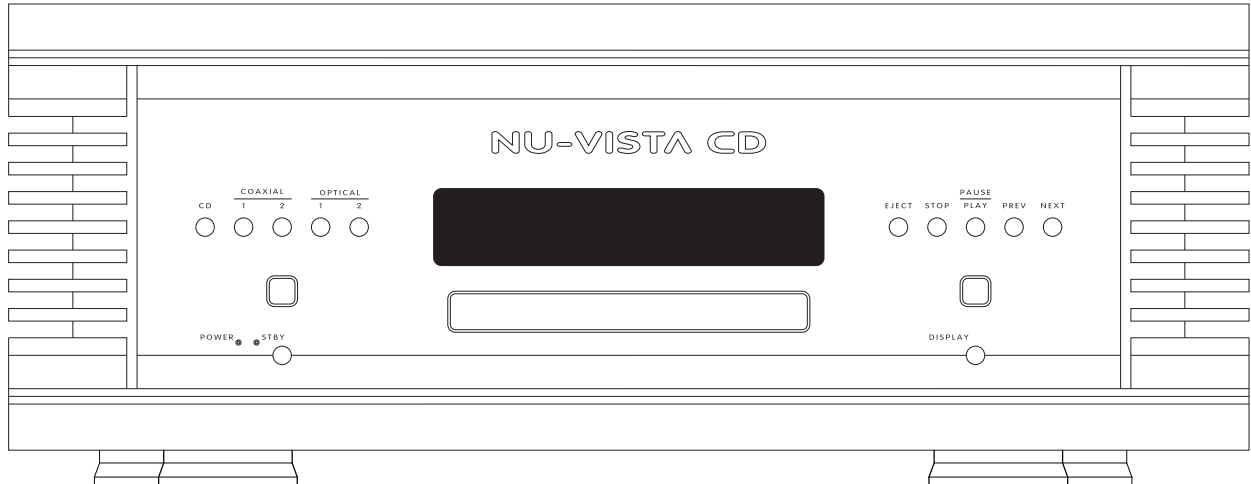


NU-VISTA CD



Instructions for use

Thank you for purchasing the Musical Fidelity Nu-Vista CD player.

The Nu-Vista CD player uses our tried and tested ultra-low distortion upsampling Digital to Analogue Converter circuitry, which has impressively flat response and virtually immeasurable noise and distortion.

To further enhance functionality, the DAC can be used with the inbuilt CD player, or with external digital sources such as TV sound, set-top boxes and similar.

The Nu-Vista CD features a valve buffer output circuit, similar to that used in our original Nu-Vista products. It has since been refined, to fulfil our latest practices and expectations. This completes the CD player giving a perfect sound from a great looking full size unit.*

The Nu-Vista CD will aesthetically match with present and future Nu-Vista series products. Such a combination will yield one of the best high-fidelity systems available at any price.

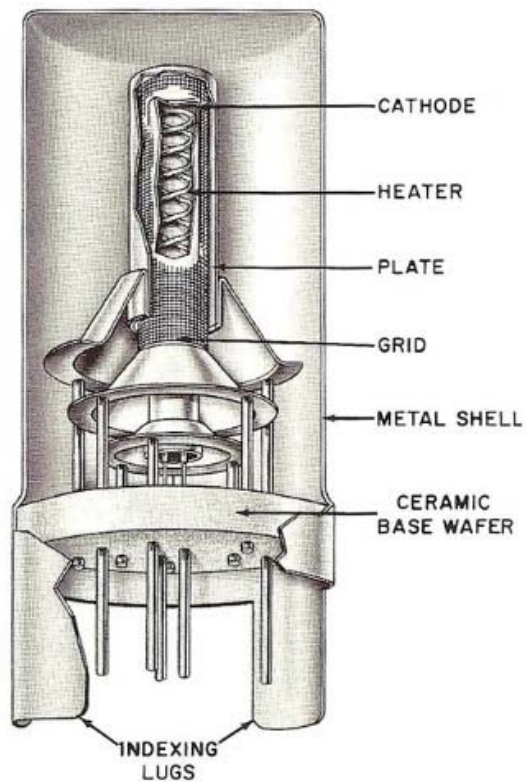
Used properly and carefully, it should give many years of outstanding musical reproduction.

Dust regularly with a soft duster or soft brush, but be careful when using cleaning or polishing agents - they may harm the surface finish.

If there are any questions about the audio system, please consult the dealer, who is there to help and advise.

CUTAWAY VIEWS

Showing Cylindrical Electrodes and Tripod-Like Supports



Typical
Single-Ended
Nuvistor Triode

** UK English "valve" mentioned hereafter, refers to the 'electron valve' kind, also known as electron "tube" in other parts of the world.*

Section		Page
Safety Information	– Laser information	4
	– Mains plug (UK only), modification warning	5
General advice	– Installation precautions	6
Installation	– Introduction, cleaning, installation, power connections, audio connections	7
Facilities and connections	– Illustrations, main unit front & rear panels	8
Remote control handset	– Operation and illustration	9
Operation	– Starting	10
	– CD	
	– Eject	
	– Loading CD	
	– Pause/Play	
	– CD Text	
	– Next	11
	– Prev(ious)	
Digital Inputs	– Use as a DAC	12
	– Coaxial 1 Input	
	– Coaxial 2 Input	
	– Optical 1 Input	
	– Optical 2 Input	
	– Notes	
Outputs and Illumination	– Nuvista Buffer outputs	13
	– Balanced outputs	
	– Illumination options	
Wiring Examples	– RCA Nuvista buffer outputs	14
	– XLR balanced outputs	
Problems?	– Basic fault finding	15
Specifications	– Product specifications	16
Manual history		17
Item disposal information		

SAFETY INFORMATION

CLASS 1 LASER PRODUCT

The Nu-Vista CD is a CD player which has been designed and manufactured according to FDA regulations "title 21, CFR, chapter 1, sub-chapter J, based on the Radiation Control for Health and Safety Act of 1968", and is classified as a Class 1 laser product. There is no hazardous radiation during normal use because invisible radiation emitted inside this product is completely confined within the protective housing. However you must observe the following important warnings:

CAUTION!

THIS CD PLAYER USES INVISIBLE LASER LIGHT. WHEN THE PLAYER OPERATES, LASER LIGHT IS RADIATED INTERNALLY. DO NOT REMOVE THE PROTECTIVE HOUSINGS.

USE OF CONTROLS OR ADJUSTMENTS OR PERFORMANCE OF PROCEDURES OTHER THAN THOSE SPECIFIED HEREIN MAY RESULT IN HAZARDOUS RADIATION EXPOSURE CAUSING EYE INJURY.

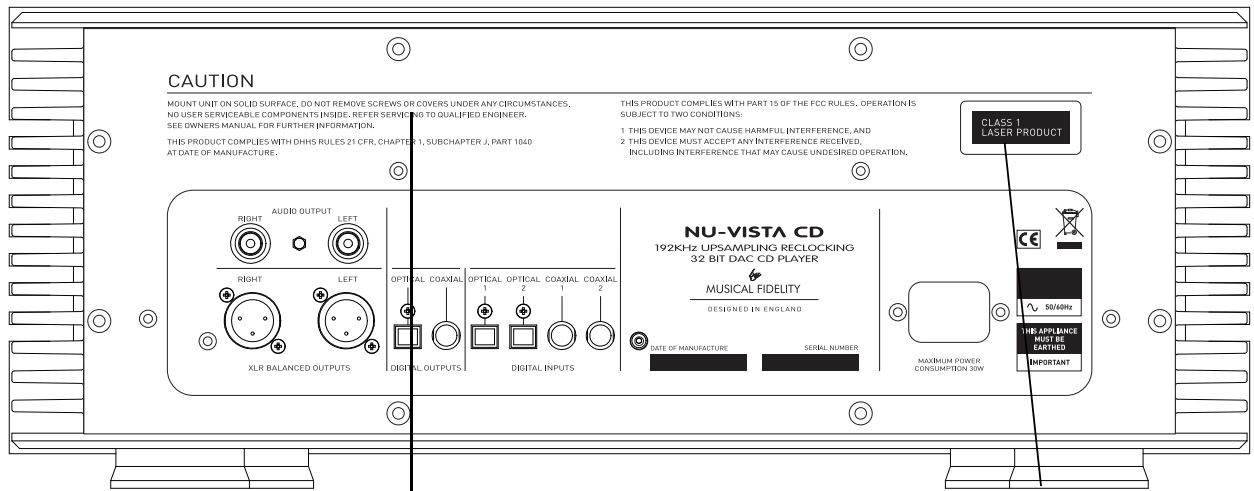
IF THIS PRODUCT DEVELOPS A FAULT, PLEASE CONTACT YOUR AUTHORISED MUSICAL FIDELITY SERVICE AGENT. DO NOT ATTEMPT TO SERVICE IT YOUR-SELF AND DO NOT CONTINUE TO USE THIS PRODUCT IN A FAULTY STATE.

INTERNAL LASER WARNING LABELS

**CAUTION!
CLASS 1
LASER
PRODUCT**

CAUTION - INVISIBLE LASER RADIATION WHEN OPEN AND INTERLOCKS DEFEATED. AVOID EXPOSURE TO BEAM.
VORSICHT! - UNSICHTBARE LASERSTRAHLUNG TRITTS AUS, WENN DECKEL GEÖFFNET UND WENN SICHERHEITSVERRIEGELUNG ÖBERBRÖCT IST. NICHT DEM STRAHL AUSSETZEN!
VARNING - OSYNLIG LASERSTRALNING NÄR DENNA DEL ÄR ÖPPNAD OCH SPÄRR ÄR URKOPPLAD. STRALEN ÄR FÄRLIG.
ADVARSEL - USYNLIG LASERSTRÅKING VED ÅBNING, NAR SIKKERHEDSAFBRYDEREER UDE AF FUNCTION UDGÅ UDSÆTTELSE FOR STRÅLING.
VAROITUS! - SUOJAKOTELOA EI SAA AVATA LAITE SISÄLTÄÄ LASERDIODIN, JOKA LAHETTÄÄ (NAKYMÄTONTA) SILMILLE VAARALLISTA LASERSATEILYÄ.

REAR PANEL



THIS PRODUCT COMPLIES WITH DHHS RULES 21 CFR, CHAPTER 1, SUBCHAPTER J, PART 1040 AT DATE OF MANUFACTURE.

THIS PRODUCT COMPLIES WITH PART 15 OF THE FCC RULES. OPERATION IS SUBJECT TO TWO CONDITIONS:

- 1. THIS DEVICE MAY NOT CAUSE HARMFUL INTERFERENCE, AND**
- 2. THIS DEVICE MUST ACCEPT ANY INTERFERENCE RECEIVED, INCLUDING INTERFERENCE THAT MAY CAUSE UNDESIRABLE OPERATION.**

**CLASS 1
LASER PRODUCT**

IMPORTANT! (U.K. only)

This unit is supplied in the U.K. with mains lead fitted with a moulded 13 amp plug. If, for any reason, it is necessary to remove the plug, please remove the fuse holder and dispose of the plug safely, out of reach of children.


It must not be plugged into a mains outlet.

The wires in the mains lead supplied with this appliance are coloured in accordance with the following code:

Green and yellowEarth
Blue..... Neutral
BrownLive

WARNING – This appliance MUST be earthed

As the colours of the wires of the mains lead of this appliance may not correspond with the coloured markings identifying the terminals in the plug, proceed as follows:

- The wire which is coloured green-and-yellow must be connected to the terminal in the plug which is marked with the letter E or coloured green or green-and-yellow, or by the earth symbol: 
- The wire which is coloured brown must be connected to the terminal which is marked with the letter L or coloured red.
- The wire which is coloured blue must be connected to the terminal which is marked with the letter N or coloured black.
- If connecting to a BS1363 plug, a 13 amp fuse must be used.

WARNING:

ANY MODIFICATIONS TO THIS PRODUCT NOT EXPRESSLY APPROVED BY MUSICAL FIDELITY WHO IS THE PARTY RESPONSIBLE FOR STANDARDS COMPLIANCE COULD VOID THE USER'S AUTHORITY TO OPERATE THIS EQUIPMENT.

Installation, Precautions & User Information

This new Nu-Vista CD is designed and built to provide trouble-free performance, but as with all electronic devices it is necessary to observe a few precautions:

- Heed all warnings shown on the back of the product.
- Only connect the Nu-Vista CD to a mains outlet having the same voltage as marked at the back of the unit.
- Always ensure that when disconnecting and reconnecting your audio equipment the mains supply is switched off.
- Position the mains lead and signal interconnects where they are not likely to be walked on or trapped by items placed on them.
- Do not use near water, or place water-filled containers on the Nu-Vista CD, for example, a flower vase or potted plants. **If water does spill inside, immediately pull out the mains plug from the wall socket and inform your dealer, who should then check the unit before further use. Entry of liquid into the Nu-Vista CD is dangerous, and may cause electric shock or fire hazard.**
- Do not place the unit near direct heat sources such as radiators, direct sunlight or other equipment.
- Do not remove any covers or try to gain access to the inside. There are no internal adjustments or fuses you can replace yourself. Refer all service work to an authorised Musical Fidelity agent.
*** Note: Unauthorised opening of the equipment will invalidate any warranty claim.**
- Dust regularly with a soft cloth or soft brush but be careful when using cleaning or polishing agents - they may harm the surface finish.

The electronics in modern hi-fi equipment are complex and may, therefore, be adversely affected or damaged by lightning. For protection of the audio system during electrical storms, remove the mains plugs.

If after-sales service is required, to help the dealer identify the Nu-Vista CD please quote the serial number located on the rear panel of the unit.

Introduction

Congratulations on the purchase of the new Nu-Vista CD player. Great attention has been paid to internal layout, isolating each circuit section to prevent possible interaction. The unit features a finely tuned and tweaked Nu-Vista valve buffer, for smooth sound coupled with low noise and virtually no distortion.

This unit will give top quality performance when used as:

- A top quality CD player delivering the best performance possible from CD
- A top quality DAC (digital to analogue converter) for other sources with digital outputs such as DAB radio, Media player, TV, etc. delivering the best audio performance using these sources

The resultant performance achieved by this unit is among the best in the world. It has excellent signal to noise ratio, low distortion, wide bandwidth and dynamic range, with extraordinary resolution and fine detail.

Cleaning

Before cleaning the unit, switch off power at the mains switch and remove the mains plug from the wall socket. Clean the cabinet and remote control unit using a moist cloth. Using solvents, white spirit or thinners is not advised, as they could damage the surface finish.

Installation

Position the Nu-Vista CD on a stable, horizontal surface where there is no risk of it being knocked, or subjected to vibration such as from loudspeakers.

Important note:

During normal operation, the unit dissipates an appreciable quantity of power at all times, and it is important that it is well ventilated. The top and bottom are perforated to allow the smooth flow of heat through the unit. However, the unit must not be enclosed in a cabinet or placed where the ventilation holes are impeded as this could result in excessive heat build-up.

The Nu-Vista CD must be protected from humidity – if the unit is moved from a cold place to a warm room, leave the unit for an hour or so to allow sufficient time for the moisture to evaporate.

Power Connections

The Nu-Vista CD is supplied with a standard IEC mains cable which plugs into the IEC socket at the back of the unit (see page 8). When plugged in and mains supply is present the orange STBY LED will light.

Audio Connections

XLR audio outputs: Use good quality XLR balanced audio cables (fully connected signals and ground), for optimum signal transfer. This gives the best performance from the CD player when used in conjunction with an amplifier with fully balanced input such as the Musical Fidelity Nu-Vista 800 Integrated.

RCA Nu-Vista buffer outputs: Use good quality RCA phono audio cables (fully connected signal and ground), for optimum signal transfer.

Digital Connections

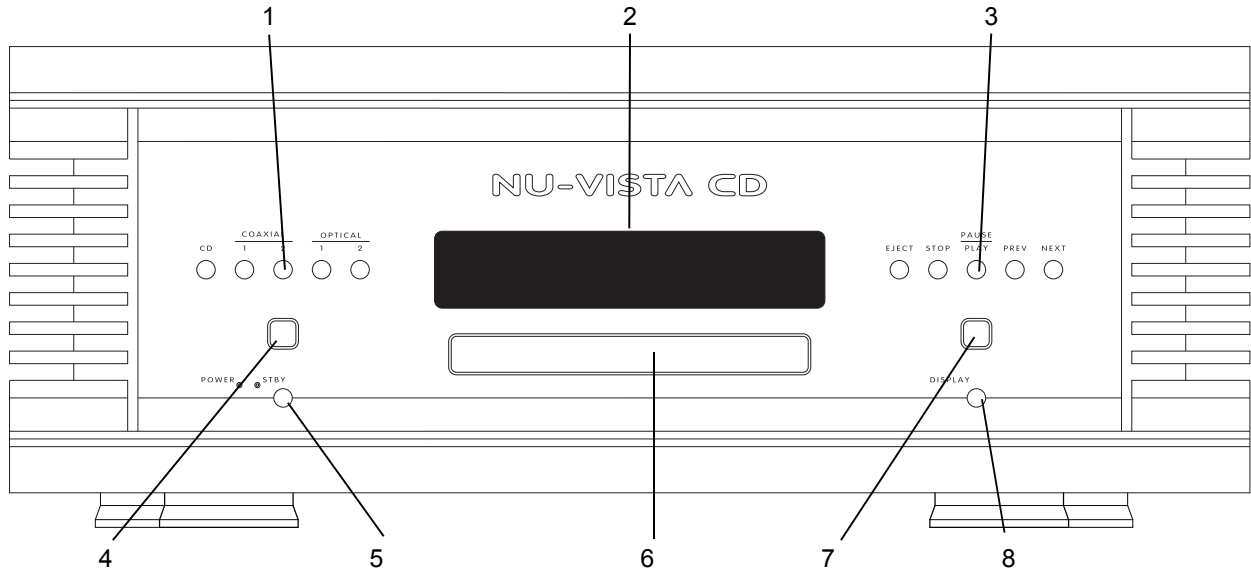
RCA S/PDIF inputs: Connect RCA digital sources to RCA digital inputs. Use good quality fully connected (signal and ground) coaxial digital cables for optimum RCA digital signal transfer.

Optical S/PDIF inputs: Connect optical digital source to optical input. Use good quality "Toslink" cables, for optimum signal transfer.

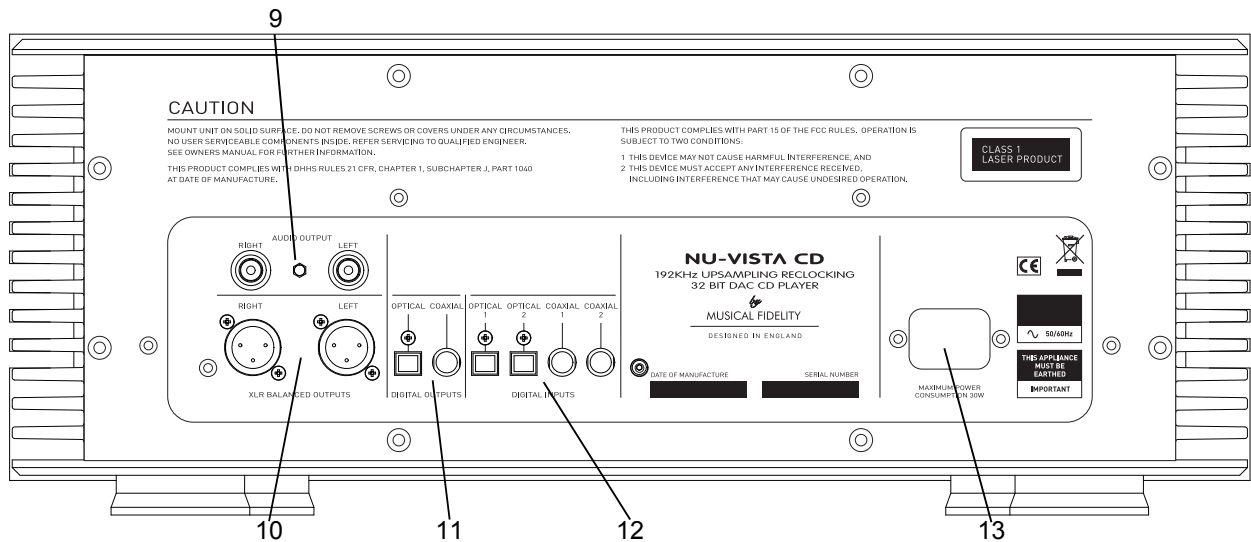
RCA S/PDIF output: Connect RCA digital receiver to RCA digital outputs. Use good quality fully connected (signal and ground) coaxial digital cables for optimum RCA digital signal transfer.

Optical S/PDIF output: Connect optical digital receiver to optical output. Use good quality optical cables, for optimum signal transfer.

FACILITIES & CONNECTIONS



- 1 **SOURCE** selector buttons
- 2 **DISPLAY**
- 3 **CD** control buttons
- 4 **IR RECEIVER** window (1)
- 5 **ON/STANDBY** Button
- 6 **CD DRAWER**
- 7 **IR RECEIVER** window (2)
- 8 **DISPLAY** button



- 9 **TUBE BUFFER** line output RCA sockets
- 10 **XLR BALANCED** left and right outputs
- 11 **S/PDIF DIGITAL** optical ("Toslink") and coaxial (RCA) outputs
- 12 **S/PDIF DIGITAL** optical ("Toslink") and coaxial (RCA) inputs, 1 and 2
- 13 **IEC MAINS INPUT**

XLR Balanced input and output lead/plug connections:



Pin functions:

- 1 Ground (cable shield)
- 2 Normal polarity ("hot" or "+")
- 3 Inverted polarity ("cold" or "-")

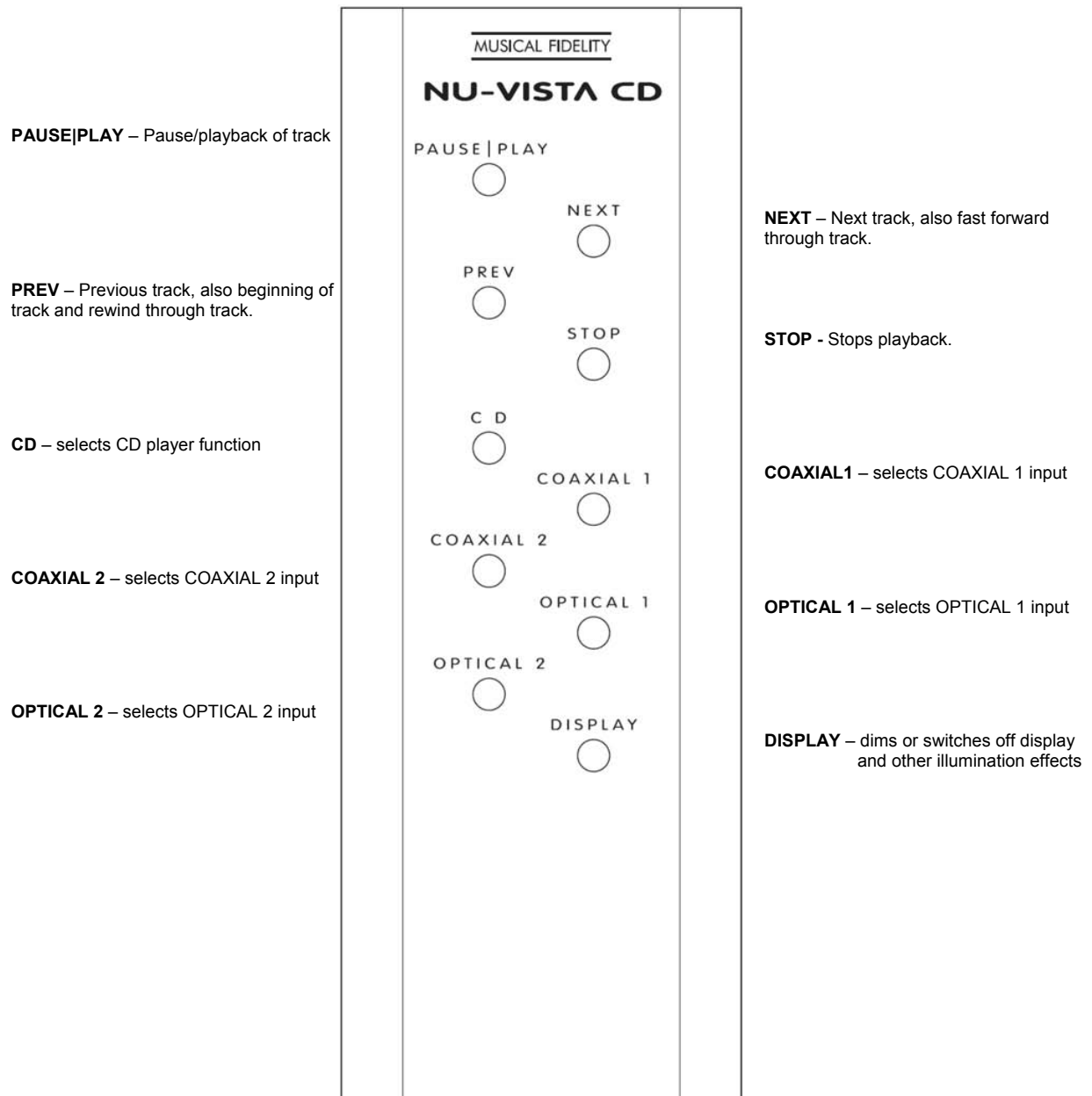
The remote control allows operation of the CD player at a distance.

Equivalent buttons on the remote control have the same functions as those on the front panel of the unit. Other functions are only available by remote control.

As the handset uses an invisible infra-red light beam, the front edge must be pointed directly towards the receiver window at the front of the player, without visual obstruction between them.

If the range of the remote control greatly decreases, replace the batteries with new ones. Do not mix old and new batteries – two are required, size AAA, LR03 or SUM-4.


Please dispose of used batteries in accordance with local regulations.



Starting

Once all connections are made, switch on the unit, using the **POWER** button on the front of the unit. The display will light up and base LEDs (under front panel) and valve LEDs will show RED. This means the outputs are muted, and will remain in this state for about 12 seconds, so no sound will be heard from the unit. Once the delay is up, the base LEDs go green, indicating unit is ready for use, and any source material selected and playing will be heard through the speakers.

For the first 15 mins or so, the Nu-Vista valves are still warming up, and the valve illumination will be yellow in colour. After approx. 20 mins the valves will have reached full thermal equilibrium and are at their optimal performance, which is indicated by the illumination turning green.

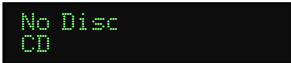


```
Nu-Vista CD
```

CD

To use **CD** press the CD button on the front panel.

Pressing the corresponding button on the remote handset has the same effect (see page 9).



```
No Disc  
CD
```

EJECT

The Eject button on the front panel controls loading tray to allow disc to be placed in unit. Press Eject to open tray.

Pressing the corresponding button on the remote handset has the same effect (see page 9).



```
Eject
```

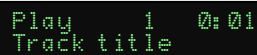
The eject button will work at any time regardless of current operation or input selection.

Loading CD

Place chosen compact disc on tray, label side up.

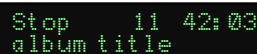
From this point, two options are available:

Press Play – Unit will close drawer and start playing disc from beginning of track 1 straight away.



```
Play 1 0:01  
Track title
```

Press Eject (or gently push drawer) – Unit will close drawer, read CD and wait for further instructions.



```
Stop 11 42:03  
album title
```

PAUSE/PLAY

Used to play currently displayed track from STOP. Pressing once starts playback. Pressing again will pause playback indefinitely until it is pressed again. It is possible to select different tracks when PAUSED, see below.



```
Pause 1 0:42  
Track title
```

Pressing play when on any external digital input, reverts the unit to CD mode and plays displayed track.

Pressing the corresponding button on the remote handset has the same effect (see page 9).

CD TEXT This unit recognises CD text where present on the CD. Album names and song titles, where available, are displayed in the lower portion of the screen. Some discs do not contain this feature, so no information will appear when using such discs.

NEXT

Next button behaves in various ways.

From STOP to step track forward through the CD, one track per press, to select desired track. Once the unit is on the last track further presses will have no effect on selected track number.

```
Stop    1    3:59
Track title
```

```
Stop    2    4:50
Track title
```

```
Stop    3    3:13
Track title
```

During PLAY back press once to skip to next track

Hold down to fast forward through currently playing track. Press "PAUSE/PLAY" to cancel the fast forward and resume playing function.

```
>>     1    0:50
Track title
```

Pressing the corresponding button on the remote handset has the same effect (see page 9).

PREV(ious)

PREV button behaves in various ways.

From STOP – single press(es) to step track backward through the CD, one track per press, to select desired track. Once unit is back at track one, further presses have no effect on selected track number.

```
Stop    3    3:13
Track title
```

```
Stop    2    4:50
Track title
```

```
Stop    1    3:59
Track title
```

During PLAY back press once to return to beginning of current track. Further presses will go back by complete tracks.

Hold down to fast rewind through currently playing track. Press "PAUSE/PLAY" to cancel the rewind and resume playing function.

```
<<     1    0:50
Track title
```

Pressing the corresponding button on the remote handset has the same effect (see page 9).

STOP

Cancels playback and stops disk. Current track remains displayed and its time and name (if CD TEXT is present on disc).

```
Stop    4    2:45
Track title
```

Pressing STOP again at this point resets the unit to initial state where disk information is displayed and the track is reset back to 1 for playback from beginning of disc.

```
Stop    11 42:03
album title
```

Pressing the corresponding button on the remote handset has the same effect (see page 9).

DIGITAL INPUTS

Use as DAC

To take advantage of our high quality digital to analogue conversion techniques, this unit has been designed to enhance listening experience from other S/PDIF digital audio sources such as TV or TV receiver boxes, digital tuners, media servers, or any other device with S/PDIF digital audio output.

Separately selectable inputs are available which allow up to two coaxial and two optical digital sources to be used. Simply connect desired digital equipment to the inputs on this unit, using suitable cable.

Any input can be used for most devices, however bearing in mind the limits of the optical receivers it may be suggested that the OPTICAL inputs are used for lower bitrates such as tuner or TV stereo audio and the COAX inputs are reserved for higher bitrate units greater than 96 kHz, if used.

COAXIAL 1 input

To use the COAXIAL input 1, press the COAXIAL 1 button on the front panel. Alternatively, use the COAXIAL 1 button on the remote control. The display will flash “no lock” in absence of digital input signal. If a signal is present, the display will show a steady “locked” message.



```
Stop 11 42:03
Coaxial 1 Locked
```

Pressing the corresponding button on the remote handset has the same effect (see page 9).

COAXIAL 2 input

To use the COAXIAL input 2, press the COAXIAL 2 button on the front panel. Alternatively, use the COAXIAL 2 button on the remote control. The display will flash “no lock” in absence of digital input signal. If a signal is present, the display will show a steady “locked” message.



```
Stop 11 42:03
Coaxial 2 Locked
```

Pressing the corresponding button on the remote handset has the same effect (see page 9).

OPTICAL 1 input

To use the OPTICAL input 1, press the OPTICAL 1 button on the front panel. Alternatively, use the OPTICAL 1 button on the remote control. The display will flash “no lock” in absence of digital input signal. If a signal is present, the display will show a steady “locked” message.



```
Stop 11 42:03
Optical 1 Locked
```

Pressing the corresponding button on the remote handset has the same effect (see page 9).

OPTICAL 2 input

To use the OPTICAL input 2, press the OPTICAL 2 button on the front panel. Alternatively, use the OPTICAL 2 button on the remote control. The display will flash “no lock” in absence of digital input signal. If a signal is present, the display will show a steady “locked” message.



```
Stop 11 42:03
Optical 2 Locked
```

Pressing the corresponding button on the remote handset has the same effect (see page 9).

Notes:

Pressing play while on any digital input will automatically switch back to internal CD player. Eject can be operated without switching back to CD.

Lock indication:

Some devices may halt/disable their digital output signal when nothing is playing. This may result in NO LOCK being displayed even with proper connection present. This is a quite normal response. Playing something on the source device should bring up the “Locked” indicator and playback should resume normally. This behaviour is dependent on implementation of external devices and therefore beyond our control.

Multichannel:

TVs, DVD/Blu-ray players and related set top boxes sometimes output digital multichannel audio information. Such information is not recognised by this unit. To ensure correct operation of this unit, check that the digital outputs on such equipment is set to give ‘PCM 44.1 kHz 16 bit stereo’ or similar. Consult equipment manufacturer’s instructions/support for further information on how to do this. PCM is the standard, which the unit supports. Other sample rate stereo PCM equipment is supported too, with 88.2, 96, 176.4 and 192 kHz sample rates on its COAX and up to 96 kHz on its optical inputs, all inputs up to and including 24 bits.

NU-VISTA CD OUTPUTS AND ILLUMINATION

Nu-Vista Buffer outputs

To use the **Nu-Vista buffer** outputs, simply connect RCA leads to AUDIO OUTPUT RCA sockets. Connect other ends of RCA leads to RCA line inputs on amplifier.

BALANCED outputs

To use the **BALANCED** outputs, simply connect balanced XLR leads to XLR sockets.

Connect other ends of balanced leads to XLR balanced inputs on amplifier, e.g. Nu-Vista 800.

For the 3-pin XLR socket wiring used in our products, please see diagram bottom of page 9).

Note: XLR socket hot and cold pins BOTH carry signal on this product and therefore must not be grounded at the amplifier end. Musical Fidelity amplifiers accept and use both signals for maximum balanced benefit.

If using another manufacturer's amplifier, please consult their manual/support for further information.

ILLUMINATIONS

When used in darker environments, for example listening or home theatre rooms. It is possible to switch off selected features to minimise distraction.

The illumination features (excluding the power/standby LEDs) can be switched on or off by pressing the DISPLAY button on the front panel.

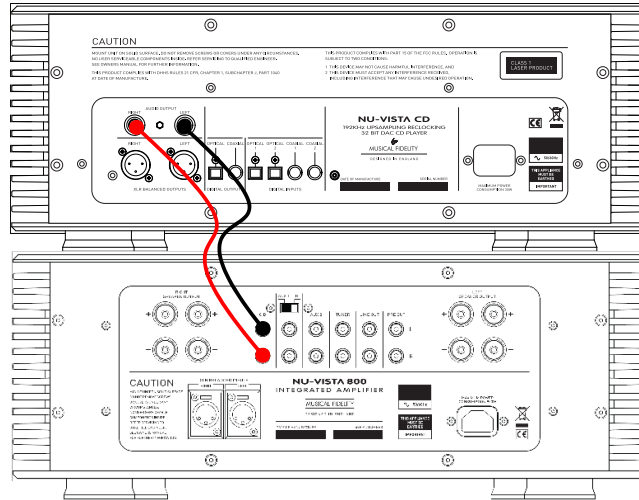
There is also a corresponding button on the remote control. To cover all options, all 8 permutations are available for use, tabulated below.

STEP	DISPLAY	BASE ILLUMINATION	VALVE ILLUMINATION
1 (default)	ON	ON	ON
2	OFF	ON	ON
3	ON	OFF	ON
4	OFF	OFF	ON
5	ON	ON	OFF
6	OFF	ON	OFF
7	ON	OFF	OFF
8	OFF	OFF	OFF

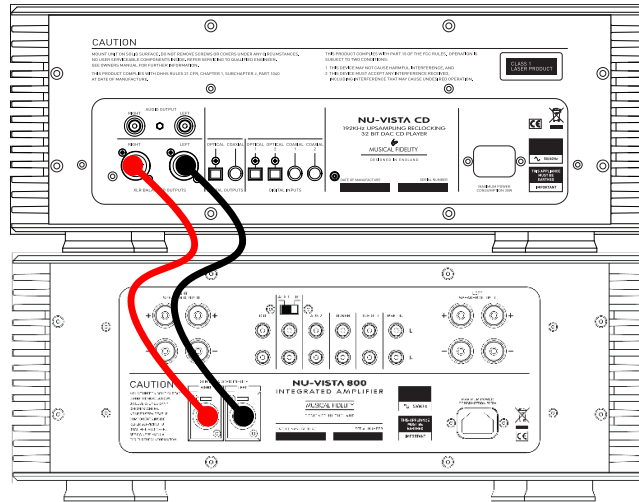
To select the desired step, simply press the DISPLAY button on the front panel or remote until the required step is reached. After step 8, the unit reverts back to step 1.

Please note, switching off the unit will store the current step. When next switched on, the remembered setting will be overridden temporarily until after the initial 12 second mute delay. Once the delay is up, the unit will revert to normal operation but with the display/LED settings as previously stored.

RCA Nu-Vista buffer output wiring



XLR Balanced output wiring



Basic problem-solving with a CD player is similar to troubleshooting other electrical or electronic equipment. Always check the most obvious possible causes first, such as the following examples:

Problem	Probable Cause	Remedy
No power / display	Power plug is not inserted into socket correctly	Plug in securely into unit's IEC socket.
No playback when disc is loaded, "NO DISC" displayed	Disc is loaded with label side down Incorrect disc type Dirty disc Moisture/humidity or cold affecting laser lens	Re-load with label side up Please load a standard audio CD Clean disk and try again Leave unit on for an hour to allow moisture to evaporate.
No audio output, or output too low	Incorrect or missing connections	Check connections are secure.
No Display	Power not on/connected Display set to "off"	Check mains lead is connected and blue LED is lit by pushing "PWR/STBY" button. Press "DISPLAY" button to reactivate display.
Hum	Audio connector plug not fully pushed in Cable Fault Unsuitable Cable (e.g. cable grounds not connected)	Insert plug securely Check cable is connected at both ends. N.B. some esoteric cables have internal wiring intentionally disconnected/modified. For best results on all inputs analogue AND digital, please use good quality screened coax; signal and screen directly connected both ends.
Mistracking (sound jumping)	Player is receiving vibration or shock Disc is dirty Moisture/humidity or cold affecting laser lens.	Move player away from loudspeakers etc. Clean disc surface Leave unit on for an hour to allow moisture to evaporate.
Dropouts in sound	Digital input lead not properly connected Faulty digital input lead Faulty optical lead	Check input lead is fully secured Change lead. Please use a good quality straight-through signal-and-ground phono to phono lead. Optical lead breakage. This can occur if the optical lead is bent into a radius too small. Avoid tight corners in routing optical leads.
Digital input not working	No connection to that input Incorrect input selected Wrong data type sent to DAC	Check connection and cable. Select correct input Check source digital output is set for "16 bit stereo PCM" or similar. This particularly applies to some TVs, most DVD players, and other home theatre type devices that may give a MULTICHANNEL digital output. Refer to the source equipment manual for further information.
Remote control range has reduced	Batteries are flat	Change batteries for a new set
	Control is not pointed directly towards the front panel of the player	Ensure there is no obstruction between the remote control and player front
	Batteries are running out	Change batteries – for a new set

If none of these actions affect a cure, please contact the dealer, or an authorised Musical Fidelity service agent. Remember; never open the case of the Nu-Vista CD, as this will invalidate the guarantee.

SPECIFICATIONS

Output

Output impedance	50 ohms balanced or single ended
Output, digital 0dB level	XLR output - 4.4V R.M.S. balanced nominal RCA output - 2.2V R.M.S. single ended nominal

DAC

(balanced and single-ended outputs)

DAC circuit	32 bit Delta-Sigma (bit stream) dual differential 8x over-sampling
Total correlated jitter	<135 picoseconds peak to peak
Linearity	<0.1dB down to -96dB
Frequency response	10Hz to 20 kHz -0.2dB max.
Channel separation	>105dB 20 Hz to 20 kHz
Signal-to-noise ratio	>117dB "a"- wtd.
Total harmonic distortion	<0.003% 10Hz to 20 kHz

Connections

Line level outputs	1 pair line level RCA connectors, left and right outputs 1 pair line level XLR connectors, left and right outputs
Digital outputs	1 RCA coaxial S/PDIF up to 24 bit 192 kHz 1 optical S/PDIF up to 24 bit 96 kHz
Digital inputs	2 RCA coaxial S/PDIF up to 24 bit 192 kHz 2 optical S/PDIF up to 24 bit 96 kHz

Power requirement

Mains voltages	90-250VAC 50-60Hz universal
Power Consumption	20 Watts maximum (blue PWR LED lit) Less than 0.5W in standby (orange STBY LED lit)

Weight

Unit only, unboxed	18.62 kg (41 lbs)
in shipping carton	26.12 kg (57½ lbs)

Maximum Dimensions

Wide	483 mm (19")
Height on standard flat feet	190 mm (7⅓")
on pointed feet	212 mm (8⅓")
Deep (front to back) including terminals	395 mm (15¾")

Standard accessories

IEC type mains lead	10-Amp type
Remote control	Nu-Vista Integrated remote
Batteries	LR03 or AAA, manganese alkaline type 2 off
Felt pads	4 off
Spike Foot	4 off
Spike Foot Cups	4 off
Remote Feet	4 off

Musical Fidelity reserves the right to make improvements which may result in specification or feature changes without notice. E&OE.



RELEASE	DATE	CHANGES
Nu-Vista CD	6 th July 2015	Issue 1



DISPOSAL

The crossed out wheeled bin label that appears on the back panel of the product indicates that the product must not be disposed of as normal household waste. To prevent possible harm to the environment please separate the product from other waste to ensure that it can be recycled in an environmentally safe manner. Please contact local government office or retailer for available collection facilities.



DISPOSITION

La poubelle sur roulettes barrées X, qui apparaît en logo sur le panneau arrière du produit, indique que celui-ci ne doit pas être traité comme un déchet domestique commun. Afin de protéger l'environnement, ce produit électronique devra être géré séparément et donc recyclé selon les nouvelles normes Européennes Rohs concernant les déchets d'appareils électroniques. Prière de contacter les services concernés gouvernementaux ou votre point de vente pour l'élimination et l'enlèvement de déchets électroniques équipés de composants électroniques.



DISPOSAL

La etiqueta cruzada hacia fuera del compartimiento que aparece en el panel trasero del producto indica que el producto no se debe reciclar como basura normal de la casa. Para prevenir daños posible al ambiente separe por favor el producto de otra basura para asegurarse de que puede ser reciclada de una manera ambientalmente segura. Entre en contacto por favor a su oficina gubernamental local o a su minorista para las instalaciones disponibles de la colección.



RIFIUTI

L'etichetta del cassonetto barrato riportato sul retro dell'apparecchio indica che il prodotto non deve essere smaltito tramite la procedura normale di smaltimento dei rifiuti domestici. Per evitare eventuali danni all'ambiente, separare questo prodotto da altri rifiuti domestici in modo che possa venire riciclato in base alle procedure di rispetto ambientale. Per maggiori dettagli sulle aree di raccolta disponibili, contattate l'ufficio governativo locale od il rivenditore del prodotto.



FACHGERECHTE ENTSORGUNG:

Das auf der Geräterückseite angebrachte Label deutet darauf hin, dass das Produkt nicht mit konventionellem Hausmüll entsorgt werden darf. Um Schäden und Verschmutzungen an Umwelt und Mensch zu vermeiden, muss das Produkt fachgerecht entsorgt und von anderem Abfall getrennt werden. Wenden Sie sich bei Fragen hierzu an Ihren Fachhändler oder an eine öffentliche Informationsstelle.



AFVAL

Het label op de achterzijde van dit apparaat, een afvalbak op wielen met een kruis doorgehaald, geeft aan dat dit apparaat niet samen met gewoon huishoudafval mag worden weggegooid. Om mogelijke schade aan onze leefomgeving te voorkomen dient dit apparaat, gescheiden van gewoon huishoudelijk afval, te worden afgevoerd zodat het op een milieuvriendelijke manier kan worden gerecycled. Neem voor beschikbare inzamelplaatsen contact op met uw gemeentelijke reinigingsdienst of met uw elektronica leverancier.



HÄVITTÄMINEN

Yliuksattua jäteastiaa kuvaava tarra tuotteen takalevyssä kertoo, että tuotetta ei saa käsittää normaalin talousjätteenä. Ympäristön suojelemiseksi on tuote pidettävä erillään muusta jätteestä ja se on kierrätettävä ekologisesti kestävällä tavalla. Ota yhteyttä laitteen myyjään tai Pirkanmaan Ympäristökeskukseen lähimmän kierrätyskeskuksen löytämiseksi.



AFSKAFNING

Logoet med en skraldespand med kryds over på bagsiden af apparatet indikerer at dette produkt ikke må kasseres som normal husholdningsaffald. For at forebygge mulig skade på miljøet, bedes De separere dette produkt fra andet affald, og sikre at det bliver genbrugt på en miljørigtig måde. Kontakt venligst de lokale myndigheder eller din forhandler for oplysning om nærmeste tilgængelige opsamlingssted for elektronikaffald.



ΔΙΑΔΙΚΑΣΙΑ ΑΠΟΡΡΙΨΗΣ

ΤΟ ΣΗΜΑ ΜΕ ΤΟΝ ΔΙΑΓΕΓΡΑΜΜΕΝΟ ΤΡΟΧΗΛΑΤΟ ΚΑΔΟ ΑΠΟΡΡΙΜΑΤΩΝ ΣΤΗΝ ΠΙΣΩ ΟΨΗ ΤΟΥ ΜΗΧΑΝΗΜΑΤΟΣ

ΔΗΛΩΝΕΙ ΟΤΙ ΤΟ ΠΡΟΙΟΝ ΑΥΤΟ ΔΕΝ ΠΡΕΠΕΙ ΝΑ ΔΙΑΧΕΙΡΙΣΘΕΙ ΣΑΝ ΣΥΝΗΘΙΣΜΕΝΟ ΟΙΚΙΑΚΟ ΑΠΟΒΛΗΤΟ.

ΠΡΟΣ ΑΠΟΦΥΓΗ ΕΝΔΕΧΟΜΕΝΗΣ ΕΠΙΒΑΡΥΝΣΗΣ ΤΟΥ ΠΕΡΙΒΑΛΛΟΝΤΟΣ, ΞΕΧΩΡΙΣΤΕ ΤΟ ΠΡΟΙΟΝ ΑΠΟ ΤΑ ΑΛΛΑ

ΑΠΟΡΡΙΜΑΤΑ ΩΣΤΕ ΝΑ ΕΞΑΣΦΑΛΙΣΘΕΙ Η ΑΝΑΚΥΚΛΩΣΗ ΤΟΥ ΜΕ ΤΟΝ ΠΡΕΠΟΝΤΑ ΤΡΟΠΟ.

ΠΑΡΑΚΑΛΟΥΜΕ ΝΑ ΕΠΙΚΟΙΝΩΝΗΣΕΤΕ ΜΕ ΤΗΝ ΤΟΠΙΚΗ ΥΠΗΡΕΣΙΑ ΑΝΑΚΥΚΛΩΣΗΣ Η ΜΕ ΤΟ ΚΑΤΑΣΤΗΜΑ ΑΓΟΡΑΣ ΓΙΑ ΠΕΡΙΣΣΟΤΕΡΕΣ ΛΕΠΤΟΜΕΡΕΙΕΣ.