

**MR<sub>x</sub>**

Connected wireless speaker

MRx

ruarkaudio

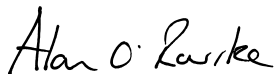
Thank you for choosing our MRx connected wireless speaker.

Urark Audio began life as specialists in high-fidelity speaker systems and this passion for sound quality lies at the heart of all our products. With a beautifully handcrafted cabinet, this MRx connected speaker blends streaming technologies with a high-fidelity stereo amplifier and our latest full-range neodymium drivers to produce a remarkably clear, rich and detailed sound.

Enjoy it alone, in a multi-room group or even as a stereo pair.

Please take the time to read this user guide to help you get the best performance from your MRx. Look after it and it will reward you with many years of listening pleasure.

We love the MRx and I hope you will too!

A handwritten signature in black ink that reads "Alan O'Rourke". The signature is written in a cursive, flowing style.

Alan O'Rourke  
Founder and Managing Director

# What's in the box

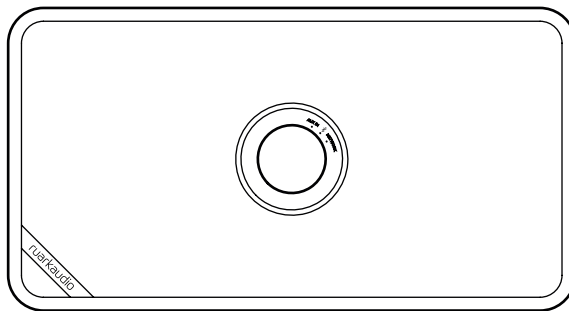
Ensure that all the parts listed below are in the box.

If any part is missing, do not use the MRx. If purchased in the UK, contact us directly. If purchased outside the UK, please contact your Ruark Audio dealer.

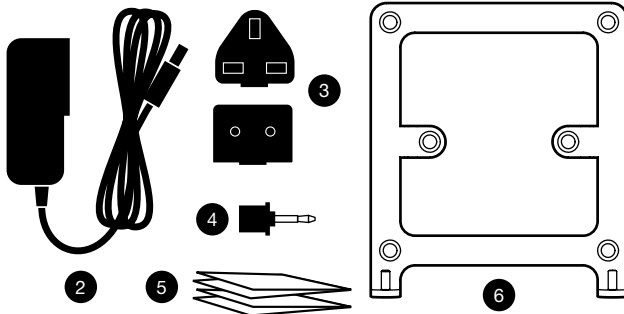
1. MRx wireless speaker
2. AC power adapter
3. Plug(s) for AC power adapter\*
4. Optical 3.5mm jack adapter
5. User guide
6. Stand

Please retain the carton and all packing materials.

\* The number and type of plug adapters supplied will vary according to region.

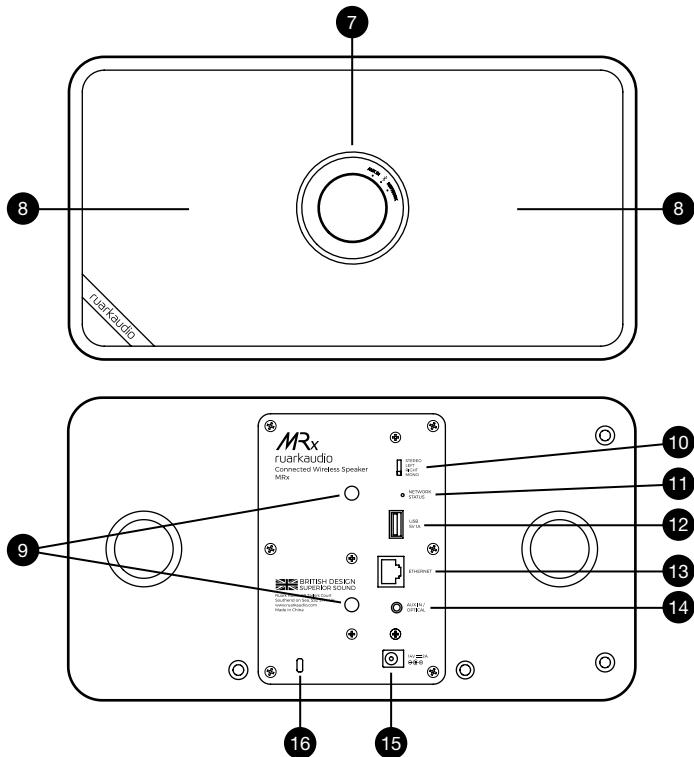


1



# Overview

7. Controls
8. 75mm neodymium driver
9. Wall mounting points (1/4-20 UNC)
10. STEREO MODE SWITCH
11. Network status indicator light
12. USB port for playback and device charging (max 5W 1A)
13. Ethernet socket (RJ45)
14. Combined 3.5mm analogue and optical input jack
15. DC power socket (14V 2A)
16. Security slot



## Controls

### 17. CONTROL KNOB

Rotate to change volume

Press to cycle through sources

Press to turn on from standby

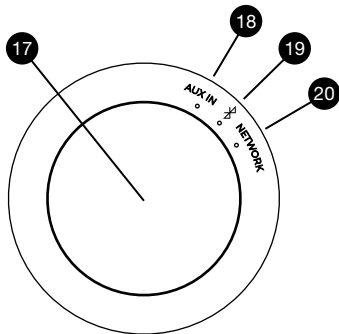
Press and hold until all indicator lights turn off (approx 1s) to enter standby

Press and hold until all 3 lights illuminate (approx 4s) to enter setup mode

### 18. AUX IN mode indicator light

### 19. BLUETOOTH mode indicator light

### 20. NETWORK mode indicator light



## Indicator lights

### All front panel lights

All on

Startup

Flashing in sequence

Setup mode

All flashing

Software updating

### Aux in

Solid amber

Aux input playback mode

### Bluetooth

Solid blue

Connected to a device

Flashing blue

Pairing mode

### Network

Solid green

Network source mode

Flashing green

Network connecting

Solid red

No network connection

### Network status (on back)

Solid green

Connected

Flashing green

Connecting

Flashing red

Network error

Solid red

Not connected

# Setup

## 1. Placement

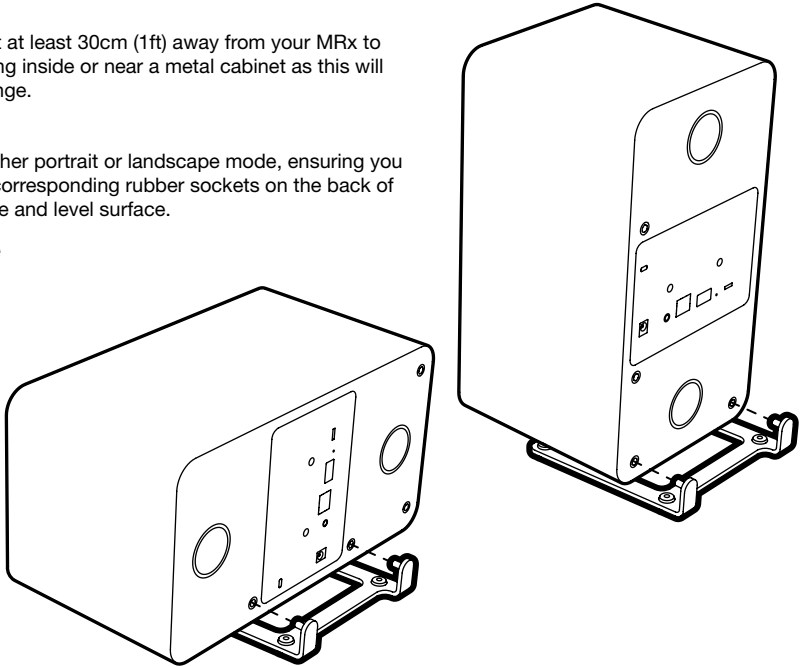
Keep other wireless equipment at least 30cm (1ft) away from your MRx to avoid interference. Avoid placing inside or near a metal cabinet as this will reduce Wi-Fi and Bluetooth range.

## 2. Fit the stand

Fit the stand to your MRx in either portrait or landscape mode, ensuring you push the stand firmly into the corresponding rubber sockets on the back of your MRx and place on a stable and level surface.

## 3. Select stereo mode

Set whether your MRx is in stereo/mono/left/right mode using the STEREO MODE SWITCH on the back panel. See Stereo mode section for more details.



## 4. Install the Ruark Link app

Download and install the app on your mobile device.



## 5. Connect to mains power

Fit the correct plug for your region to the mains adapter, it will “click” into place. Connect the mains adapter to the DC power socket on the back of your MRx, then connect it to the mains socket. All three indicator lights will illuminate as your MRx starts up.

## 6. Set up your MRx using Ruark Link

Your MRx is in setup mode when all three lights on the front panel flash in sequence.\*

Open the Ruark Link app on your mobile device, select “SET UP AUDIO SYSTEM” and follow the on-screen instructions.

If the setup wizard is unable to find your MRx, you may need to connect to your MRx’s Wi-Fi hotspot manually, go to the Wi-Fi settings on your mobile device and connect to *Ruark MRx [code]* where *[code]* is the unique MAC address of your MRx. Once you have connected your device to your MRx Wi-Fi hotspot, return to the Ruark Link app and follow the on-screen instructions.

## 7. Enjoy your MRx

Once set up, you can control your MRx using the Ruark Link app from any smartphone or tablet on the same network, as well as access all its features including internet radio, music streaming services and multi-room audio.

\* If instead of all the lights flashing in sequence, only one indicator light comes on, press and hold the CONTROL KNOB for approx 4 seconds until all 3 lights illuminate, then release. Your MRx will reboot and come on again in SETUP mode.

## Common functions

The CONTROL KNOB allows you to adjust the volume and select source; however, for full control of the network sources and access multi-room functions, you will need the Ruark Link app.

For more details see [www.ruarkaudio.com/link](http://www.ruarkaudio.com/link)



### Turn on and standby

To go to standby, press and hold the CONTROL KNOB from any playing mode until the current source indicator light turns off.

To turn on from standby, press the CONTROL KNOB.

### Change volume

Rotate the CONTROL KNOB while listening to audio.

When you reach the maximum or minimum volume, the source indicator light will briefly turn off.

### Connect to a new network

To connect your MRx to a different network (Wi-Fi or Ethernet), press and hold the volume knob for approx. 4 seconds until all three source lights illuminate. Your MRx will then reboot in SETUP mode and the front panel lights will flash in sequence. You can now use the Ruark Link app to connect your MRx to the new network.

See Setup section for more details.

### Change source

Press the CONTROL KNOB to cycle through sources.

---

*If your MRx is connected to Wi-Fi and you want to connect it via Ethernet (or vice versa), you need to run SETUP again.*

---



## Bluetooth

To change to Bluetooth mode, press the CONTROL KNOB until the blue Bluetooth indicator light illuminates or use the Ruark Link app to select Bluetooth source.

### Connecting a Bluetooth device

When you select Bluetooth mode, your MRx will go into pairing mode and the Bluetooth indicator light will flash.

Use the Bluetooth setup on your phone, tablet or laptop to pair and connect it to your MRx. It will appear in the list of paired devices as *Ruark MRx* although this will change if you rename it using the Ruark Link app.

It may take a few seconds for your MRx to appear in the list on your device, and in some cases you may need to input “0000” as the pairing password.

### Bluetooth volume

If your phone, tablet or laptop allows you to vary the volume of Bluetooth playback, we recommend you set it to maximum for optimum playback quality.

### Auto connect

When you change to Bluetooth mode, your MRx will attempt to reconnect to the last connected device. If it can't connect, it will automatically enter pairing mode.

### Pairing additional devices

You can pair up to 5 devices, although you will only be able to play audio from one device at a time.

For more information visit  
[www.ruarkaudio.com/support](http://www.ruarkaudio.com/support)



---

*Your MRx includes aptX coding technology so if your smart device is also aptX enabled, you will benefit from CD-quality streaming.*

---

## **Aux input (analogue/optical)**

Your MRx can play audio from both analogue and digital sources via the combined analogue/optical input jack on the back panel.

To change to aux input mode, press the CONTROL KNOB until the amber AUX IN indicator light illuminates or use the Ruark Link app to select the Aux input source.

To play from an analogue source (eg the headphone output of a media player), connect it to the combined jack socket using a 3.5mm stereo jack cable.

To play from a digital optical source (eg TV), connect it to the combined jack socket using an optical cable and the optical 3.5mm jack adapter provided.

### **Aux input volume**

For optimum playback quality, adjust the volume of the external device so that it is as near to full volume as possible without distorting.

# Internet Radio

Your MRx can play thousands of internet radio stations and podcasts from all over the world. Select your MRx in the Ruark Link app and under source, select Internet Radio.

When listening to an internet radio station, the green NETWORK indicator light will illuminate.

## Station presets

You can store 10 Internet radio stations in your preset list on the Ruark Link app.

## Ruark radio portal

In addition to presets, you can also store your favourite stations or even add stations manually using the online Ruark radio portal.

[www.ruarkaudio.com/radiportal](http://www.ruarkaudio.com/radiportal)



## My favourites

This is similar to storing presets, except that the stations are stored online, on the Ruark radio portal. This means that your saved favourite stations are accessible from any Ruark internet radio product registered on the same account. These stations are accessible by going to **Browse > My Favourites** in the Ruark Link app.

## My added stations

You can manually add stations that are not already listed by visiting the online Ruark radio portal. Stations added this way are accessible by going to **Browse > My Added Stations** in the Ruark Link app.

You will need the unique portal access code for your MRx by going to **Browse > Help > Get access code** in the Ruark Link app.

## Music player

Music player enables you to play audio files stored on a computer on your network, a NAS drive or a USB flash drive. Select your MRx in the Ruark Link app and under source, select Music Player.

When listening to Music Player audio, the green NETWORK indicator light will illuminate.

### USB music player

Connect your USB flash drive into the USB socket on the back panel of your MRx and select USB under the Music Player source in the Ruark Link app.

Although your MRx will power or charge most USB devices, it may not charge or power devices that requires a current greater than 1A (5W).

### Local Music player

To play audio files stored on your phone or tablet, select your MRx in the Ruark Link app and under source, select Local Music.

When listening to Music Player audio, the green NETWORK indicator light will illuminate.

### DLNA streaming

Your MRx is a DLNA Digital Media Renderer so you can stream audio to it from a compatible media server. There are many apps available for Mac, iOS, Linux, Android, Windows phone, etc that will turn your smartphone, tablet or laptop into a DLNA media server. Windows Media Player even has a 'Play to' function built in that allows you to stream music stored on your computer directly to your MRx.

When listening to Music Player audio, the green NETWORK indicator light will illuminate.

---

*Your USB disk must be FAT32 format. Rights-protected WMA and AAC tracks cannot be played.*

---

# Music streaming services

Your MRx supports the music streaming services shown below\*. When listening to music streaming services, the green NETWORK indicator light will illuminate.

## Spotify Connect

Spotify Connect for users with Spotify Premium.  
For more details, [www.spotify.com/premium](http://www.spotify.com/premium)

### Listen out loud with Spotify Connect

1. Connect your **Ruark MRx** to your wifi network.
2. Open up the Spotify app on your phone, tablet or laptop using the same wifi network.
3. Play a song and select **Devices Available**.
4. Select your **Ruark MRx** and start listening.

## Amazon Music

For more details, visit [www.amazon.com/AmazonMusicUnlimited](http://www.amazon.com/AmazonMusicUnlimited)

## Deezer

For more details, visit [www.deezer.com](http://www.deezer.com)

## Tidal

For more details, visit [www.tidal.com](http://www.tidal.com)

\* The range of supported music services may change without notice.



## Multi-room

This device is fully compatible with Ruark Audio multi-room and enables you to seamlessly stream music from one room to another.

Use the Ruark Link app on your mobile device to create a group of up to 5 devices that will all play the same synchronised audio. Once you have created a group, other devices can be added to it.

If a group already exists on your network, you can add your MRx either using the Ruark Link app on your mobile device or using the controls on the other Ruark devices in that group.

For more information on multi-room and how to set up, access and control this feature, visit [www.ruarkaudio.com/support](http://www.ruarkaudio.com/support)



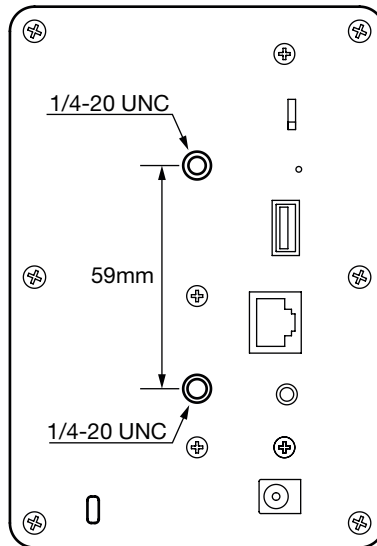
---

*Audio from a TV may not be perfectly synchronised with the video when in multi-room mode*

---

## Wall-mounting

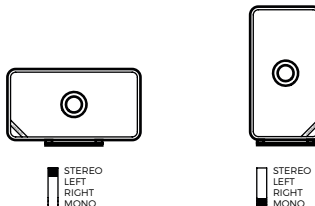
Remove the stand and secure your MRx to a wall-mounting bracket compatible with the following:



## Stereo mode

### Mono/stereo mode

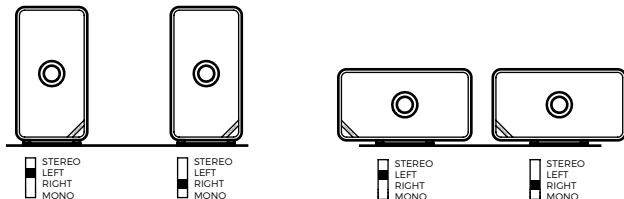
You can position your MRx in both landscape or portrait mode. For best audio performance we recommend you set the STEREO MODE SWITCH on the back panel to STEREO when using in landscape mode and MONO when using in portrait mode.



### Left/right mode

You can use a pair of MRx speakers as a left/right stereo pair by adding both speakers to a multi-room group and then setting the STEREO MODE SWITCH on the left speaker to LEFT on the left speaker, and RIGHT on the right speaker, see Overview section.

In LEFT mode, the speaker will only reproduce the left channel and in RIGHT mode, only the right channel.




---

*Please note that audio from a TV may not be perfectly synchronised with the video when used as a stereo pair*

---

# Safety and regulatory information

- Read this user guide and follow all instructions, it will help you set up and operate your product properly.
- Heed all warnings and keep this user guide for future reference.
- Do not attempt to use a damaged device as this could result in a dangerous electric shock.
- Do not open the unit or remove any panels or speaker grilles. No user serviceable parts inside.
- Refer all servicing to qualified service personnel. Servicing is required when the device has been damaged in any way, such as power-supply cord or plug is damaged, liquid has been spilled or objects have fallen into the device, the device has been exposed to rain or moisture, does not operate normally, or has been dropped.
- This device is intended to be operated ONLY from the AC voltages listed on the back panel or included power supply. Operation from voltages other than those indicated may cause irreversible damage to the device and void the product warranty.
- Ensure that the mains plug or mains connector into the unit is readily accessible in case disconnection from the mains is required.
- The mains adapter, mains plug or mains connector must be removed from the socket to completely disconnect the system from mains power.
- Do not place any naked flame sources, such as lighted candles, on or near the device. Do not install near any heat sources such as radiators, stoves, or other devices (including amplifiers) that produce heat.
- Avoid exposure to extreme heat or cold.
- Only use attachments/accessories specified for this device. Make no modifications to the system or accessories. Unauthorised alterations may compromise safety, regulatory compliance, and system performance.
- To reduce the risk of fire or electrical shock, do not expose the device to rain or moisture. Do not expose this device to dripping or splashing, and do not place objects filled with liquids, such as vases, on or near the device. As with any electronic products, use care not to spill liquids into any part of the system. Liquids can cause a failure and/or a fire hazard.
- Unplug this device during lightning storms or when unused for long periods of time to prevent damage to this device.
- To prevent risk of fire or electric shock, avoid overloading wall outlets, extension cords, or integral convenience receptacles.
- Long-term exposure to loud music may cause hearing damage. It is best to avoid extreme volume when using headphones, especially for extended periods.
- Do not install this device in a confined space. Always leave a space of at least 10cm around the device for ventilation and ensure that curtains or other objects never cover ventilation openings on the device.





This device is labelled in accordance with European Directive 2012/19/EU concerning waste electrical and electronic equipment. This symbol indicates that the product or associated batteries should not be disposed of as general household waste. As with any electrical equipment, please dispose of it according to local regulations.



#### CE COMPLIANCE INFORMATION

This product conforms to all EU Directive requirements as applicable by law. You may obtain a free copy of the Declaration of Conformity by contacting your dealer, distributor, or Ruark Audio.

Hereby, Ruark Audio, declares that this device complies with the essential requirements and other relevant provisions of the European Radio Equipment Directive 2014/53/EU.

You can download the full CE Declaration of Conformity at [www.ruarkaudio.com/doc/mrxdoc.pdf](http://www.ruarkaudio.com/doc/mrxdoc.pdf)

## Troubleshooting

Sometimes resetting your MRx to factory settings can fix common problems. To reset your MRx complete the following steps:

1. Disconnect your MRx from the mains power supply.
2. Set the STEREO MODE SWITCH to the LEFT position.
3. While holding down the CONTROL KNOB, reconnect the mains power supply.

Once your MRx has rebooted, it will automatically go into setup mode (see Setup section). Set it up as normal and remember to put the STEREO MODE SWITCH back to your desired setting. Resetting it will also clear the Bluetooth pairing list so you will need to pair your Bluetooth devices again.

For further help with your product, please refer to the FAQ (Frequently Asked Questions) page in the support area of our website.

For more information visit [www.ruarkaudio.com/support](http://www.ruarkaudio.com/support)



# Specifications

## Amplifiers and drivers

- 2 x 75mm neodymium high-fidelity drivers
- Tuned bass reflex cabinet
- 16W nominal power output
- Enhanced 3D sound processor

## Digital audio

- Internet radio, UPnP™ DLNA
- 802.11b/g Wi-Fi supports WEP, WPA & WPA2 security
- MP3, WMA, AAC, FLAC, WAV
- SBC, AAC, A2DP, aptX Bluetooth
- Optical S/PDIF input
- Ruark multi-room compatible (up to 5 devices per group)

## Inputs and outputs

- Combined analogue/optical 3.5mm jack input
- USB playback, 5W (1A) output

## Power supply

- Input power 100 to 240VAC 50-60Hz 1A max
- Output power 14VDC 2A

## Power consumption

- 10-12W typical
- 28W max
- 3W standby

## Physical

- Dimensions with stand in landscape mode:  
W300 x H180 x D180mm (11.8 x 7.1 x 7.1ins)
- Dimensions without stand in landscape mode:  
W300 x H175 x D160mm (11.8 x 6.9 x 6.3ins)
- Weight: 3.4kg (7.5lbs)
- Security slot
- Wall-bracket compatible

For more information visit  
[www.ruarkaudio.com/support](http://www.ruarkaudio.com/support)



Specification and design subject to modification without notice.

## Guarantee information

We guarantee this product to be free from defects for a period of two years from date of purchase, providing due care and attention has been paid. Product failure through accidental damage (however caused), excessive wear and tear, negligence or unauthorised modification will void your guarantee.

Should you experience a problem please contact us via our website [www.ruarkaudio.com](http://www.ruarkaudio.com) or by calling directly on 01702 601410 where we will advise the course of action. If your product needs to be returned it should be packaged in its original packing along with proof of purchase. If it is not possible to return the product by hand, then it should be sent carriage prepaid by a reputable parcel carrier. If the original packing is not available, replacement packing can be purchased from us.

## Guarantee for overseas sales

The distributor in the country of purchase guarantees products purchased outside the UK. For details, please contact your local Ruark distributor or outlet.

**THIS GUARANTEE IN NO WAY VARIES OR REMOVES THE PURCHASER'S STATUTORY RIGHTS. E&OE**

## General care

- Clean with a soft, lint-free duster or slightly dampened cloth. Do not use wax sprays or other substances as these may damage the surface finish or impair performance.
- Do not expose your unit to direct sunlight, high humidity, dust, excessive vibration or extreme temperatures, all of which can affect the finish, performance and reliability of the unit.
- Recommended operating temperature range is 5°C to 40°C.
- Natural wood finish cabinets will vary and lighten or darken with age, particularly when exposed to sunlight.

## Copyright and trademarks

© 2018 Ruark Audio. All rights reserved. Ruark Audio, the Ruark Audio logo, and other Ruark Audio marks are owned by Ruark Audio and may be registered. All other trademarks are the property of their respective owners. Ruark Audio assumes no responsibility for any errors that may appear in this manual and the information contained in it may change without notice.

Bluetooth® and associated logos are registered trademarks owned by Bluetooth SIG, Inc.

Qualcomm aptX is a product of Qualcomm Technologies International, Ltd.

The Spotify software is subject to third party licenses found here: [www.spotify.com/connect/third-party-licenses](http://www.spotify.com/connect/third-party-licenses)

All other trademarks are the property of their respective owners.

# ruarkaudio

59 Tailors Court, Temple Farm Industrial Estate,  
Southend on Sea, Essex, SS2 5TH, UK  
+44 (0) 1702 601 410 [www.ruarkaudio.com](http://www.ruarkaudio.com)

Designed in  
Great Britain



20180313.2