

Magellan
by TRIANGLE

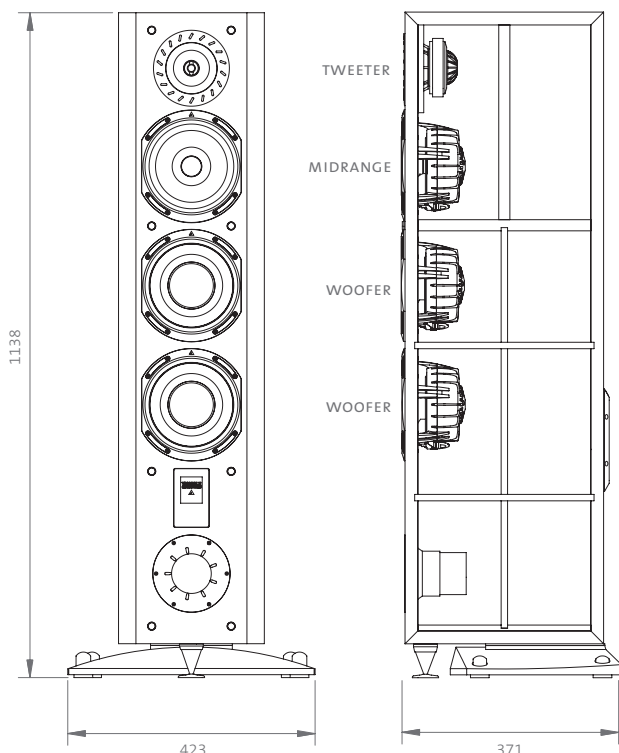


CELLO

All the technologies of the Grand Concert in a reasonably sized loudspeaker. Without even realizing it, you are tapping your feet. You are in the heart of the music and you want the moment to last...

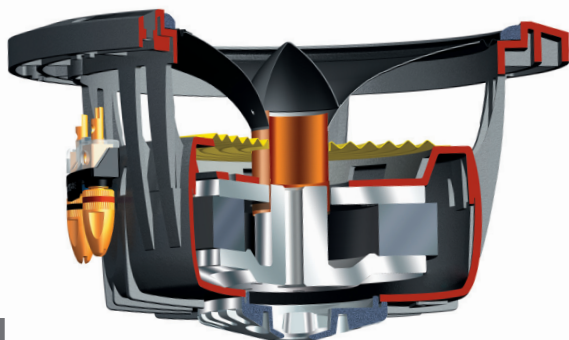
*H*igh-gloss lacquer finish available in Black, White, Mahogany or Bubinga for Cello.

TECHNICAL SPECIFICATIONS



NUMBER OF DRIVERS	4
NUMBER OF WAYS	3
TWEETER	TZ2900 GC
MIDRANGE	T16GMF100-THG06
WOOFER (2x)	T16GM-MT15-GC2
SENSITIVITY (dB/W/m)	91
FREQUENCY RANGE (+/- 3dB Hz-KHz)	35 – 20
POWER HANDLING (W)	200
REPETITIVE PEAK POWER	350
SPL MAX (dB)	112
NOMINAL IMPEDANCE (Ω)	8
MINIMUM IMPEDANCE (Ω)	3
LOW FREQUENCY ROLL-OFF (Hz)	400 (12dB/Oct)
HIGH FREQUENCY ROLL-OFF (Hz)	2800 (24dB/Oct)
DIMENSIONS (HxLxP mm)	1138 x 423 x 371
WEIGHT (Kg)	34

1x



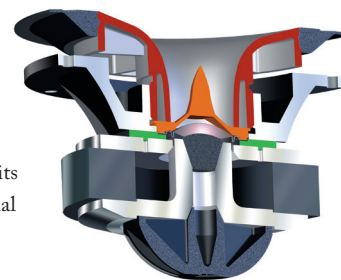
MIDRANGE **T16GMF100-THG06**

A unique design: extra wide bandwidth from 70 Hz to 4000 Hz with minimum distortion and the most linear output in the industry. The new cellulose fiber diaphragm features an exponential profile to ensure true-to-life reproduction in the medium frequency band.

1x

TWEETER **TZ2900 GC**

Optimized by computer simulation, its horn is shaped to provide a substantial attenuation of the directivity effect, i.e. off-axis drop in high frequency level. A remarkably smooth and fluid musical quality!



2x



WOOFER **T16GM-MT15-GC2**

In the MAGELLAN range, the WOOFERS deliver realistic acoustic levels with minimum distortion.

