

MILLER & KREISEL®



MILLER & KREISEL®



www.mksound.com

M&K Sound, the M&K Sound logo, Miller & Kreisel, the Miller & Kreisel logo and Tripole are trademarks of M&K Sound Aps. All trademarks are registered in some jurisdictions. All rights reserved.

The Choice of Professionals®

2020 - ver. 1

THE CINEMA
SOUND
OF THE
PROS
IN YOUR
HOME

Miller & Kreisel The Choice of Professionals®

Like hardly any other manufacturer of home cinema/livingroom loudspeakers, Miller & Kreisel is connected to the professional recording studio scene. Hollywood film productions, as well as renowned music albums, are very often mixed on systems from M&K.

„The Choice of the Professionals“ immediately attracts attention as a slogan on the boxes of the M&K products. The usual marketing slogan, one might think – but far from it. Miller & Kreisel is one of the few loudspeaker manufacturers that are highly regarded in professional circles.

The world’s eminent musicians, singers, producers, directors and engineers working in hundreds of film, music, broadcast and postproduction studios worldwide, choose M&K loudspeakers.

Every day they make hundreds of artistic decisions based upon what they hear on their speakers. The trust they have in Miller & Kreisel speakers allows them to work quickly and effectively as they create the most breathtaking film soundtracks and music.

M&K is one of the most renowned speaker brands in the film and music industry. Cinema blockbusters like „Star Wars“, „King Kong“ or „Lord of the Rings“ were mixed and mastered on sound systems made by Miller & Kreisel.

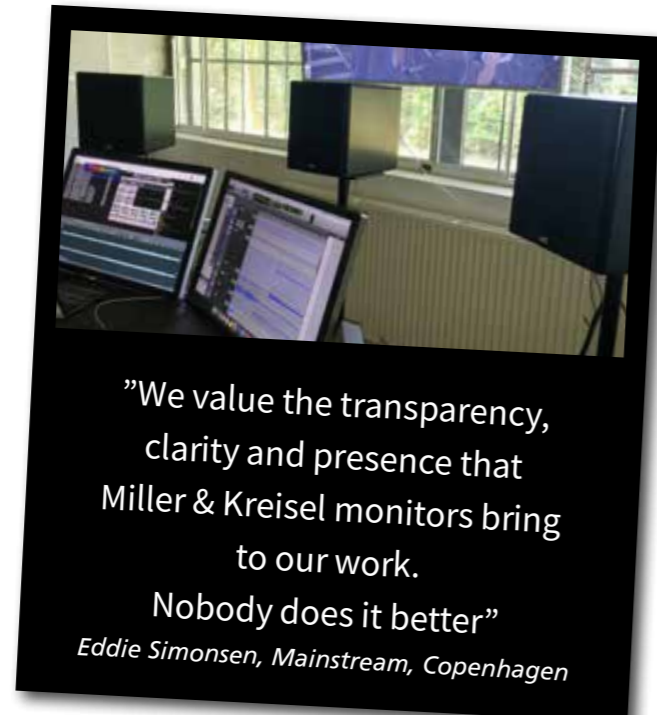


Content

IW Series	6-13
CI Series.	14-15
300 Series	16-17
150 Series	20-21
950 Series	22-23
750 Series	26-27
M Series	28-29
PRO Series	30-31
X Series	32-33
V Series	34-35
Movie 5.1 System	36
Rear Panel Dimensions.	38-39



MILLER & KREISEL



HEIMKINO Quick-Info

Home Cinema	■■■■■
Living Room Cinema	■■■■■
Music (Stereo)	■■■■■
Music (5.1)	■■■■■

HEIMKINO Highlight 1/2-2017

M&K Sound S300 Series: Professional Home Cinema Set with THX Ultra2 License

Best in Class



Get in with the in-wall crowd

'A system with detail, clarity and transience to spare - it's a performance you'll instantly fall in love with'

HOME CINEMA Choice BEST BUY

HCC VERDICT ★★★★★

M&K Sound FW150 5.1 £4,950 www.mksound.com

WE SAY: All the transparency and detail of a professional studio monitor, in an enclosure that can simply vanish. If you're looking for in-wall speakers, look here.



HOME CINEMA Choice BEST BUY

HCC VERDICT ★★★★★

M&K Sound LC750 5.1 £3,700 www.mksound.com

WE SAY: This superb speaker package combines professional studio monitor levels of neutrality, balance and detail retrieval with a more consumer-friendly look and price.

HEIMKINO Sound recommendation 6/7-2017

HEIMKINO Quick info

Home Cinema	■■■■■
Living room cinema	■■■■■
Music (Stereo)	■■■■■
Music (5.1)	■■■■■

M&K Sound 750 THX Series: Compact home cinema set with professional aspirations

Wolf in Sheep's Clothing

Our faithful readers should be familiar with M&K Sound from our test of the ultimate THX-surround set S300 Series in edition 1/2-2017. For the slightly less well-heeled home cinema fans, M&K Sound offers the 750 Series, a notably more affordable and more compact surround set - which also comes with a THX quality seal.

Miller & Kreisel Movie 5.1 Set: Extra flat for wall mounting

Super Slim

HEIMKINO Highlight 1/2-2017

HEIMKINO Quick-Info

Home Cinema	■■■■■
Livingroom Cinema	■■■■■
Music (Stereo)	■■■■■
Music (5.1)	■■■■■

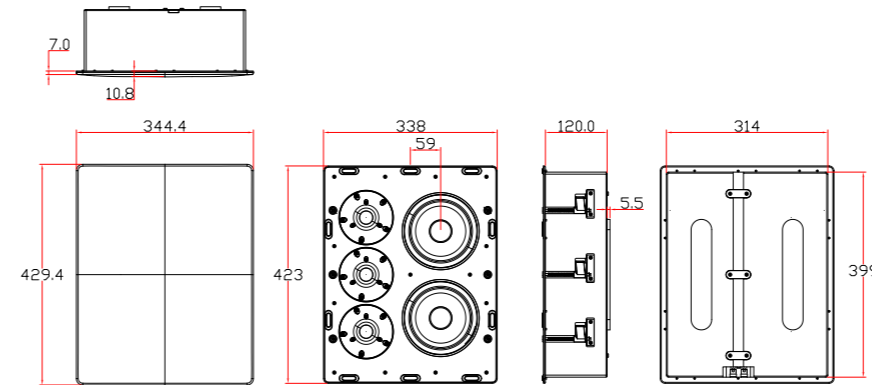


IW300 In-Wall Speaker

The IW300 features the same proprietary drivers and crossover as the famed Miller & Kreisel S300 Series. The unique design allows critical audio professionals to hear exactly what's going on in the mix and listen for hours with no hint of fatigue. This is the ultimate choice for the music and cinema enthusiast seeking the finest In-Wall speakers available.



Impedance	4 Ohm
Recommended Amplifier Power	25 – 500W
Bass/Midrange	2 x 6.5" Glassfibre
High Frequency Driver	3 x 1" Soft fabric dome
Frequency Response	80 Hz – 22 kHz, ±3dB
Sensitivity	93 dB, 2.83V/1m
Grille Dimensions (HxW)	16.92 x 13.58", 430 x 345 mm
Baffle Dimensions (HxW)	16.65 x 13.30", 423 x 338 mm
Wall Cutout (HxW)	15.78 x 12.44", 401 x 316 mm
Mounting Depth	4.73", 120 mm
Weight	22.0 lbs / 10 kg
Grill Finish	White metal, paintable

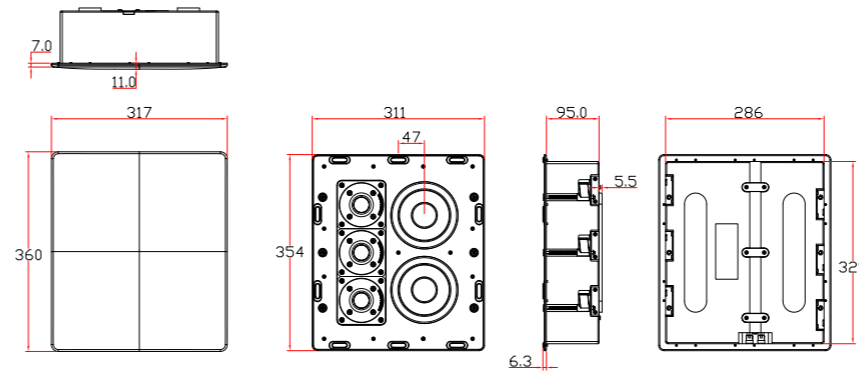


IW150 In-Wall Speaker **Acoustic Upgrade**

This award winning design is the In-Wall equivalent of Miller & Kreisel's S150 Series used on a daily basis as the preferred monitoring tool in hundreds of professional film and music recording studios around the world and in thousands of serious home entertainment systems. Can there be any better choice than the speakers on which your favorite movies and music were actually created?



Impedance	4 Ohm
Recommended Amplifier Power	25 – 400W
Bass/Midrange	2 x 5.25" Glassfibre
High Frequency Driver	3 x 1.1" Soft fabric dome
Frequency Response	80 Hz – 20 kHz, ±3dB
Sensitivity	90 dB, 2.83V/1m
Grille Dimensions (HxW)	14.17 x 12.51", 360 x 318 mm
Baffle Dimensions (HxW)	13.93 x 12.24", 354 x 311 mm
Wall Cutout (HxW)	13.03 x 11.33", 331 x 288 mm
Mounting Depth	3.74", 95 mm
Weight	18.8 lbs / 8,5 kg
Grill Finish	White metal, paintable

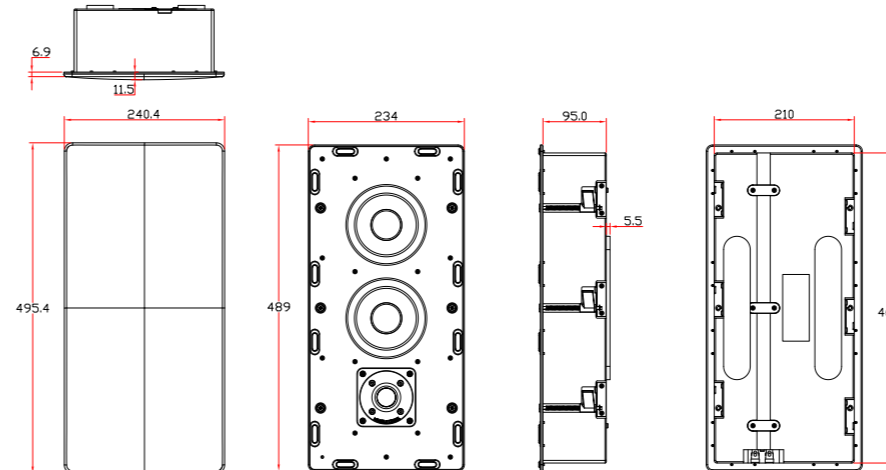


IW950 In-Wall Speaker **Acoustic Upgrade**

The IW950 incorporates proprietary Miller & Kreisel drive units and technologies drawn from the classic 950 Series. Stable, smooth installation and the same sophisticated design philosophy developed for all Miller & Kreisel speakers ensures even sound throughout any room with superior imaging, whether mounted In-Wall or In-Ceiling.



Impedance	4 Ohm
Recommended Amplifier Power	25 – 400W
Bass/Midrange	2 x 5.25" Glassfibre
High Frequency Driver	1.1" Soft fabric dome
Frequency Response	80 Hz – 20 kHz, ±3dB
Sensitivity	90 dB, 2.83V/1m
Grille Dimensions (HxW)	19.52 x 9.44", 496 x 240 mm
Baffle Dimensions (HxW)	19.25 x 9.21", 489 x 234 mm
Wall Cutout (HxW)	18.38 x 8.34", 467 x 212 mm
Mounting Depth	3.74", 95 mm
Weight	17.7lbs / 8 kg
Grill Finish	White metal, paintable



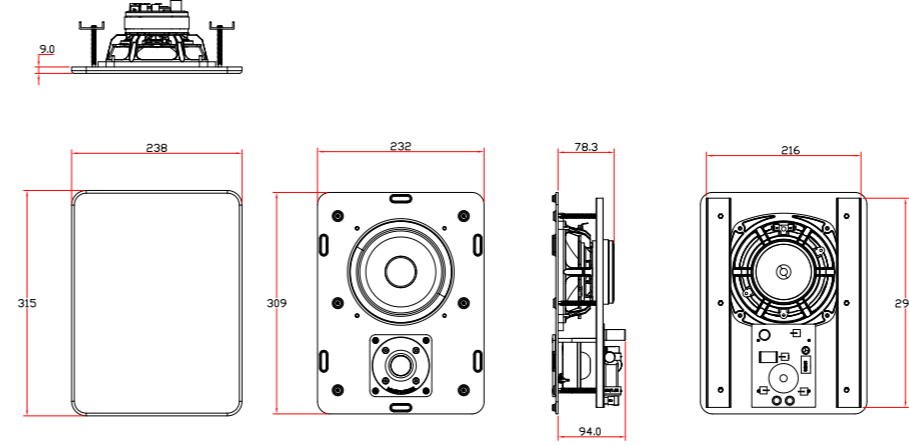
IW SERIES



IW95 In-Wall Speaker **Acoustic Upgrade**

As a direct descendent of Miller & Kreisel's standard-setting professional studio monitors, the highly versatile IW95 is built on a thick rock-solid steel baffle and uses serious steel mounting brackets. The universal IW95 is suitable for any complex installation and deliver a seamless, holographic, three-dimensional listening experience.

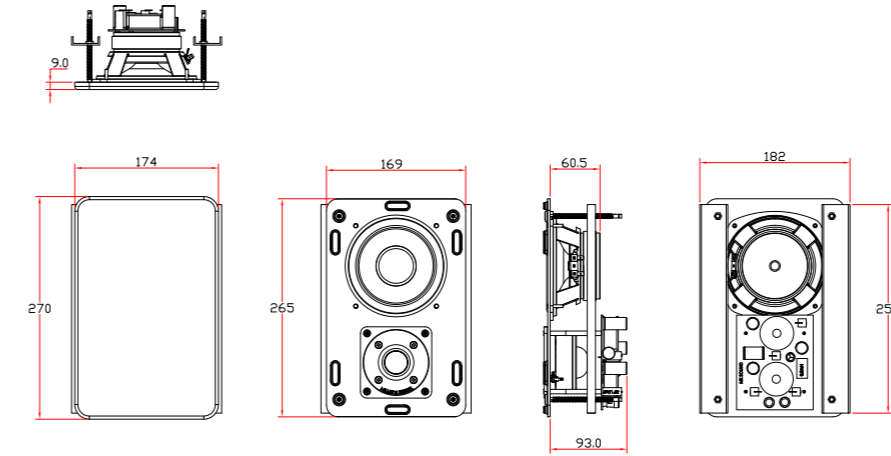
Impedance	4 Ohm
Recommended Amplifier Power	25 – 300W
Bass/Midrange	6.5" Polypropylene
High Frequency Driver	1" Soft fabric dome
Frequency Response	80 Hz – 20 kHz, ±3dB
Sensitivity	91 dB, 2.83V/1m
Grille Dimensions (HxW)	12.40 x 9.33", 315 x 237 mm
Baffle Dimensions (HxW)	12,16 x 9.13", 309 x 232 mm
Wall Cutout (HxW)	10.75 x 7.44", 273 x 189 mm
Mounting Depth367", 93 mm
Weight	10.0 lbs / 4.6 kg
Grill Finish	White metal, paintable



IW85 In-Wall Speaker **Acoustic Upgrade**

Experience full-range, designer-friendly sound to rival many "audiophile" stand-alone speakers, in a compact package that integrates beautifully into walls or ceilings! The versatile IW85 is superb in two-channel or surround applications and can be combined with any Miller & Kreisel speakers for a seamless sonic timber match.

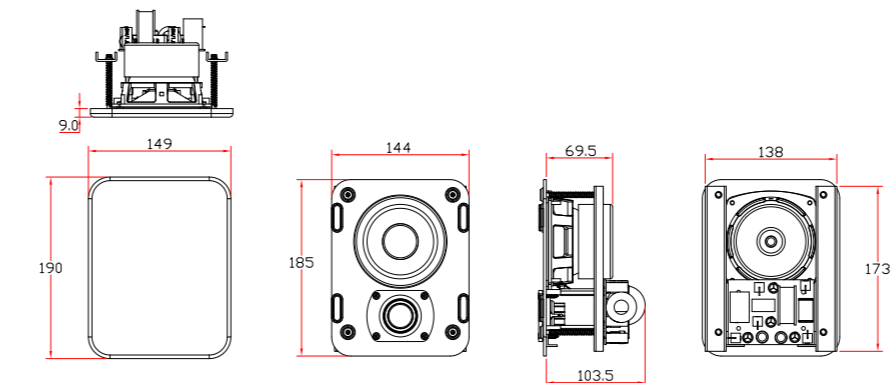
Impedance	4 Ohm
Recommended Amplifier Power	25 – 200W
Bass/Midrange	5.25" Polypropylene
High Frequency Driver	1" Soft fabric dome
Frequency Response	85 Hz – 20 kHz, ±3dB
Sensitivity	88 dB, 2.83V/1m
Grille Dimensions (HxW)	10.62 x 6.88", 270 x 175 mm
Baffle Dimensions (HxW)	10.39 x 6.65", 264 x 169 mm
Wall Cutout	9.4" x 6", 239 x 152 mm
Mounting Depth367", 93 mm
Weight	9.0 lbs / 4.1 kg
Grill Finish	White metal, paintable



IW5 In-Wall Speaker

Designed with the same richly detailed sound as the Miller & Kreisel M Series. The IW5 is supplied with a slim round grille making it the optimal choice as the In-Ceiling solution. The ultra compact IW5 is the invisible flush-mount speaker that delivers consistent sound quality across large spaces or multiple zones.

Impedance	4 Ohm
Recommended Amplifier Power	25 – 125W
Bass/Midrange	4" Polymer coated texture taper
High Frequency Driver	1" Soft fabric dome
Frequency Response	100 Hz – 20 kHz, ±3dB
Sensitivity	85 dB, 2.83V/1m
Grille Dimensions, round (Ø)	8.81", 224 mm
Baffle Dimensions diagonal	8.66" / 220 mm
Baffle Dimensions (HxW)	7.28 x 5.66", 185 x 144 mm
Wall Cutout (HxW)	6.45 x 4.88", 164 x 124 mm
Mounting Depth	4.05", 103 mm
Weight	5.3 lbs / 2.4 kg
Grill Finish	White metal, paintable



IW SERIES

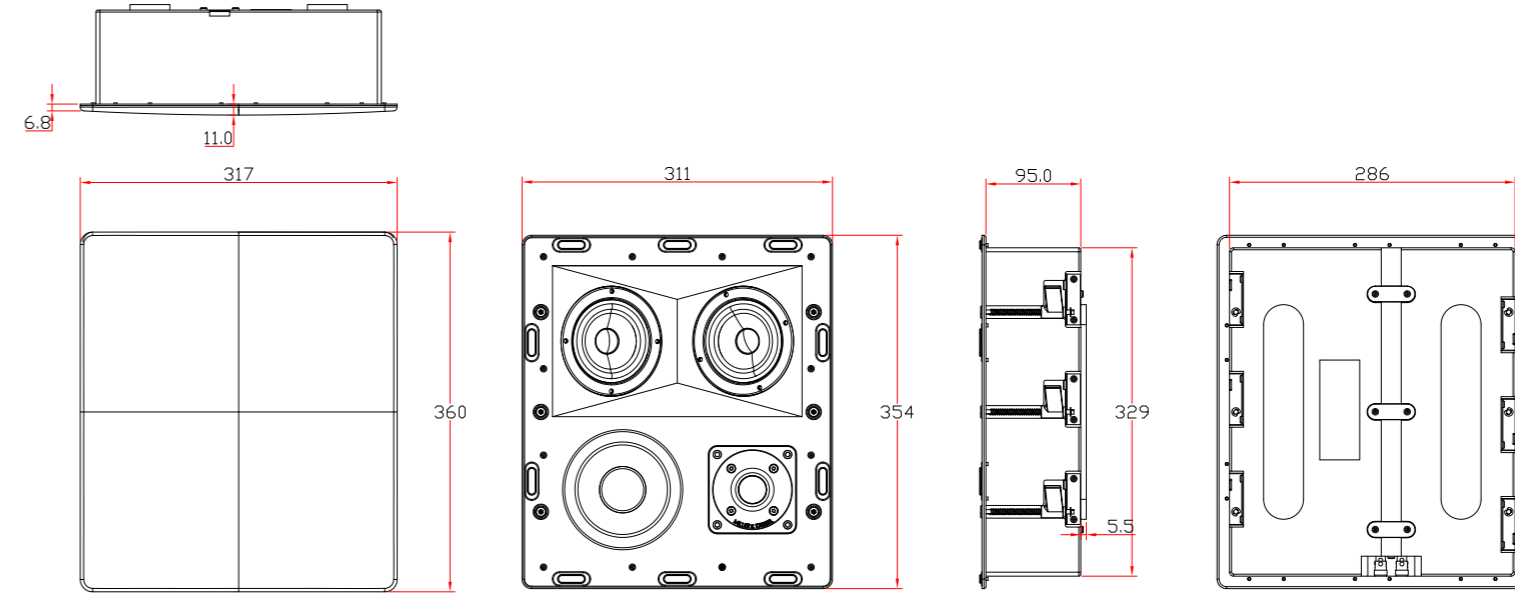


IW150T Tripole® In-Wall Speaker

The IW150T is the In-Wall equivalent of the famous S150T Tripole® surround speakers. Incorporating the exact same drivers and crossover technology as the S150T sealed cabinet speaker, the IW150T delivers uncompromising performance from a less obtrusive form factor. Modern installations and new surround formats such as Dolby Atmos and DTS X are incorporating more and more surround channels. In-Wall (and In-Ceiling) installations allow you to expand to take full advantage of these new formats without the clutter of visible wires or speakers. The Introduction of the IW150T Tripole® Speaker means you can have the same M&K 150 Series Acoustic Performance from a completely invisible installation.

New Product

Nominal System Impedance	4 Ohm
Frequency Response	60Hz-20kHz, +/-3dB
Frequency Roll Off	55Hz -6dB
Crossover Frequency	1.5KHz
Front Tweeter	1.1" Dome, Coated Silk Dome / Low Compression
Front Woofer	.525", Coated Glass Fiber
Side Drivers	2 x 2.35", Polymer Coated Textured Paper
Power Handling	100W Long Term IEC-268-5 (Cycled Input 80-20kHz)
Power Handling	50W rated IEC-268-5 (Constant Input 80-20kHz)
Recommended Amp Power	.25-200W
Sensitivity	85dB verage SPL 2.83V / 1M (On-Axis 200-10kHz)
System Princip	Sealed Enclosure
Connection Terminal	Gold Plating, Spring Loaded Banana
Finish	Powder Coat Black Fascia, White Metal Grill, Paintable
Dimensions, H x W x D	354mm x 311mm x 95mm
Cutout	331mm x 288mm
Weight	6.8 kg / 14.99 lbs



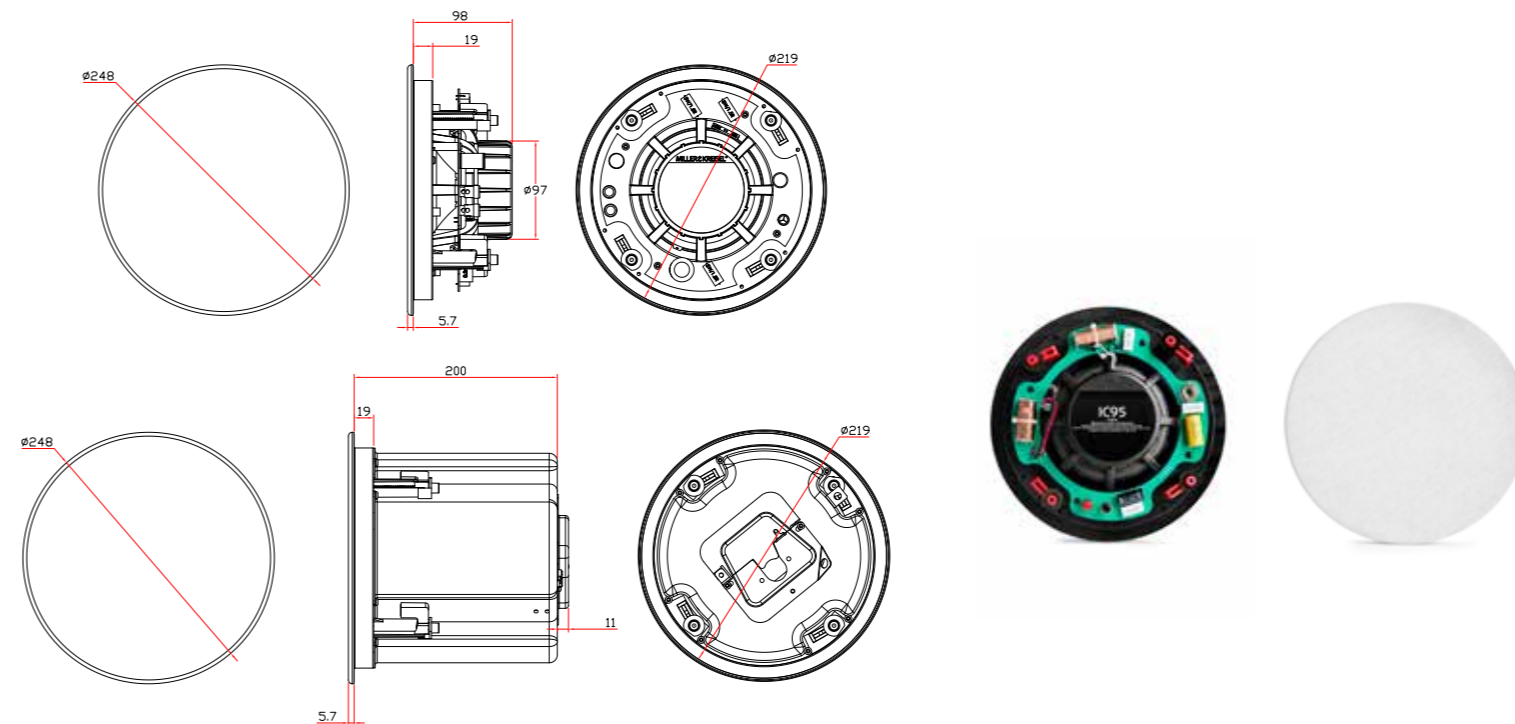
IC95 In-Wall / In-Ceiling Loudspeaker

The new compact IC95 integrated loudspeaker system is based on the well proven proprietary 6,5-inch mid-woofer, also used in Miller & Kreisel studio monitor system MPS1620P and in-wall system IW95.

The mid-woofer in IC95 is a long time accepted key component in the Miller & Kreisel signature sound history, now appearing as the key component for the smallest and most compact format ever – to provide the real Miller & Kreisel sound.

IC95 present a new developed axial mounted 1" soft fabric dome tweeter, designed with swivel function to angle and optimize the on-axis response to the listening positions.

Nominal system impedance	4 ohm (Z-min 3.4 ohm)
Frequency response with can	70-20Khz (-12dB at 70 Hz)
Frequency response without can	50-20 KHz (-12 dB at 50 Hz)
Crossover frequency	4.5Khz "Phase focused" (2nd order)
Tweeter	1" Dome, Coated silk dome / with swivel function
Woofer	.6.5". Mineral filled polypropylene
Power handling	150 watt, Long term IEC-268-5 (cycled input 100-20Khz)
Power handling	75 watt, Rated IEC-268-5 (constant input 100-20Khz)
Recommended amp power	.25-300 watt
Sensitivity	90 dB, Average SPL 2.83 Volt / 1mtr (on axis 200-10KHz)
System princip	In wall / Sealed enclosure
Connection	Terminal gold plating, Push terminals 4mm cable
Accessories	Cut out template / Optional can available
Welcome Card	Included in packing
Speaker OD Diameter	.9.64 inch / 245 mm
Grill OD Diameter	.9.74 inch / 248 mm
Cut out Diameter	.8.5 inch / 218 mm
Depth with can	.8.3 inch / 212 mm
Depth without can	.3.85 inch / 98 mm
Weight W/WO can, Netto	9.2 / 5.7 lbs / 4.2 / 2.6 kg
Grill Finish	White metal, paintable



IW SERIES



IW28S In-Wall Subwoofer

More than four decades of experience and insight have been applied to the design of this truly invisible subwoofer, based on high-performance 8" woofers specially developed for the Miller & Kreisel V Series subwoofers and ingeniously adapted to meet the extreme demands of shallow, flush-mount installation while delivering the quantity and quality of deep bass that consumers and professionals expect from Miller & Kreisel.

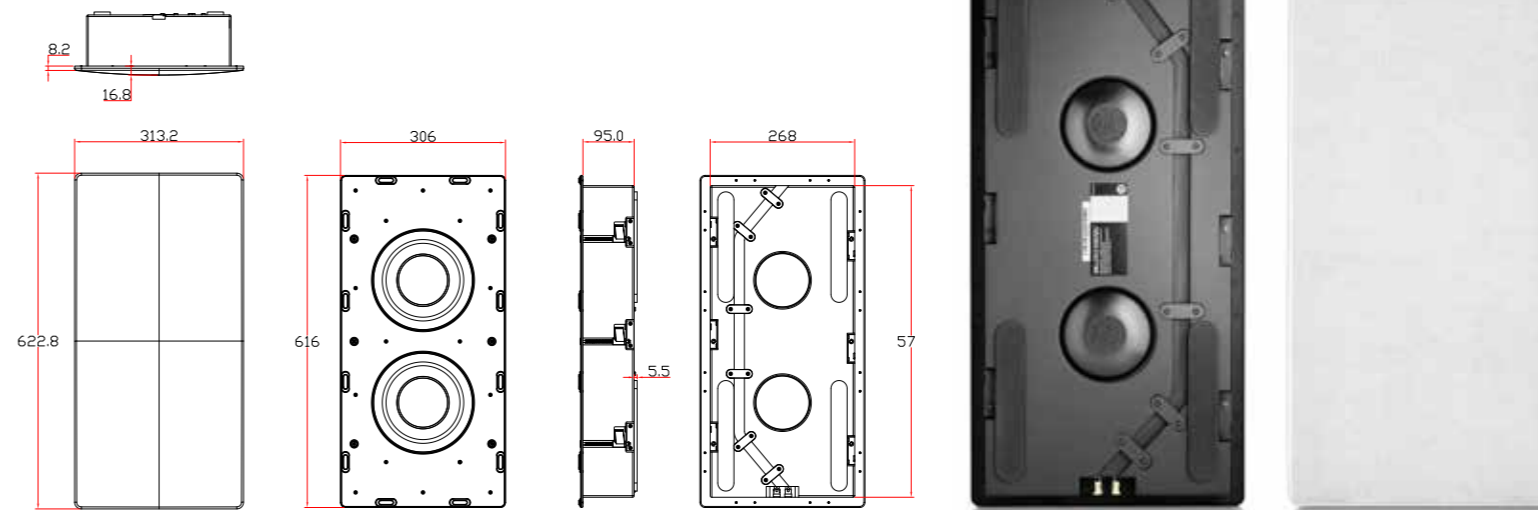
The specially tuned, ultra-fast, mass-loaded dual drivers employ aluminum shorting rings for minimal voice coil distortion at long excursion. Highly rigid paper pulp cones with high inner damping ensure stability at extreme levels and low resonance.

The ultra-linear solid ferrite magnet system provides effective dissipation of heat from the voice coil to prevent power compression from limiting the acoustic output of the system.

The drivers are installed in full contact with the front baffle and the rear of the box for ideal mechanical stability to minimize driver resonances that can occur due to the limited volume of an In-Wall enclosure.



Impedance	4 Ohm
Bass Drivers	2 x 8" paper pulp
Frequency Response	28 Hz – 200 Hz, ± 3dB
Sensitivity (drive signal 100mVolt VA500 amp)	88 dB/1m
Grille Dimensions (HxW)	24.48 x 12.44", 622 x 312 mm
Baffle Dimensions (HxW)	24.25 x 12.04", 616 x 306 mm
Wall Cutout (HxW)	22.84 x 10.62", 580 x 270 mm
Mounting Depth	3.74", 95 mm
Weight	24.2 lbs / 11 kg
Grill Finish	White metal, paintable



VA500 Subwoofer Amplifier

This dedicated Class D amplifier with high efficiency, cool running and low standby voltage consumption is a further development of the amplifiers built into the popular Miller & Kreisel V Series subwoofers. The Class D switch mode power module is designed with effective power reserves to effortlessly deliver copious amounts of clean power to the IW28S In-Wall sub for extraordinary, uncompromising handling of demanding deep bass transients.

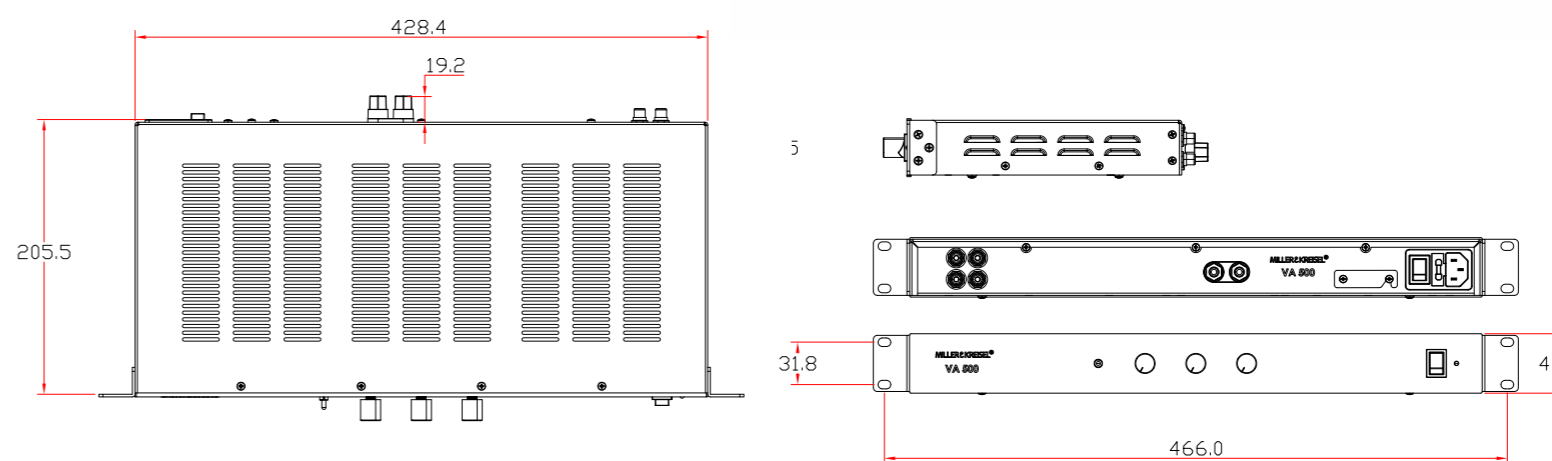
A precisely calibrated dynamic headroom control circuit constantly monitors the signal to prevent audible clipping, while maintaining the full dynamic range of modern digital audio formats.

Stereo inputs and line-level passthrough connections provide valuable flexibility for system building and future expansion. For perfect sonic integration with any satellite system, VA500 incorporates adjustable gain control including a fixed level position for reference set-up, continuously variable phase (0-180 degrees), variable crossover frequency (60Hz - 200Hz) and three-position room adaptation. The amp is one standard rack unit high and is supplied with removable handles for mounting in a 19" pro rack and feet for stand-alone placement.

Continuous Output Power500W/4 Ohm, Class D
Peak Output Power	800W/4 Ohm
System Preamp	Analog
Line-Level Connections	Phono In, Phono Passthrough Out
Speaker Connections	5-way binding posts
Controls:	Volume, Phase, Crossover
EQ Switch	3-Position Room Adaptation:

1. For one sub placed away from corners
2. For one sub placed near a corner
3. For one or two subs placed in corner(s)

Input Voltage	100-240 VAC (switchable), Auto On/Off
Dimensions (WxHxD)	16.88 x 1.74 x 8.81"
Dimensions (WxHxD) Rack size	429 x 44,4 x 224 mm
Dimensions (WxHxD) Rack size	19 x 1.74 x 8.81"
Dimensions (WxHxD) Rack size	483 x 44,4 x 224 mm
Weight	8.8 lbs / 4 kg

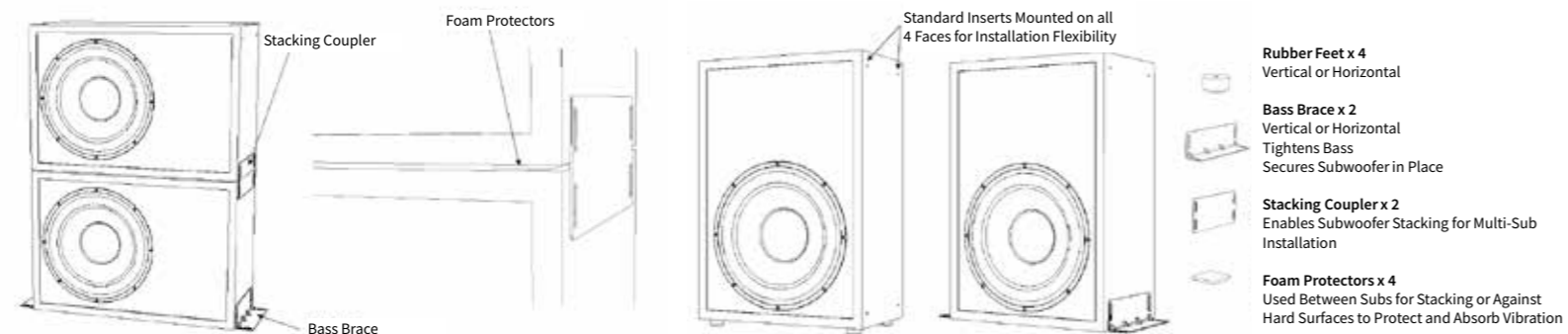


MW SERIES



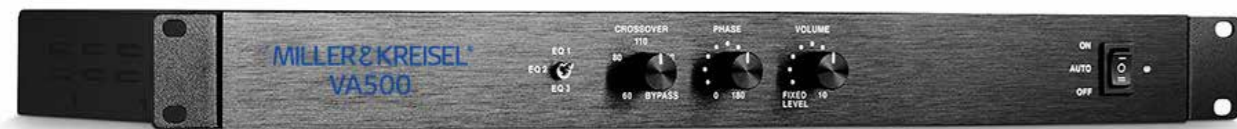
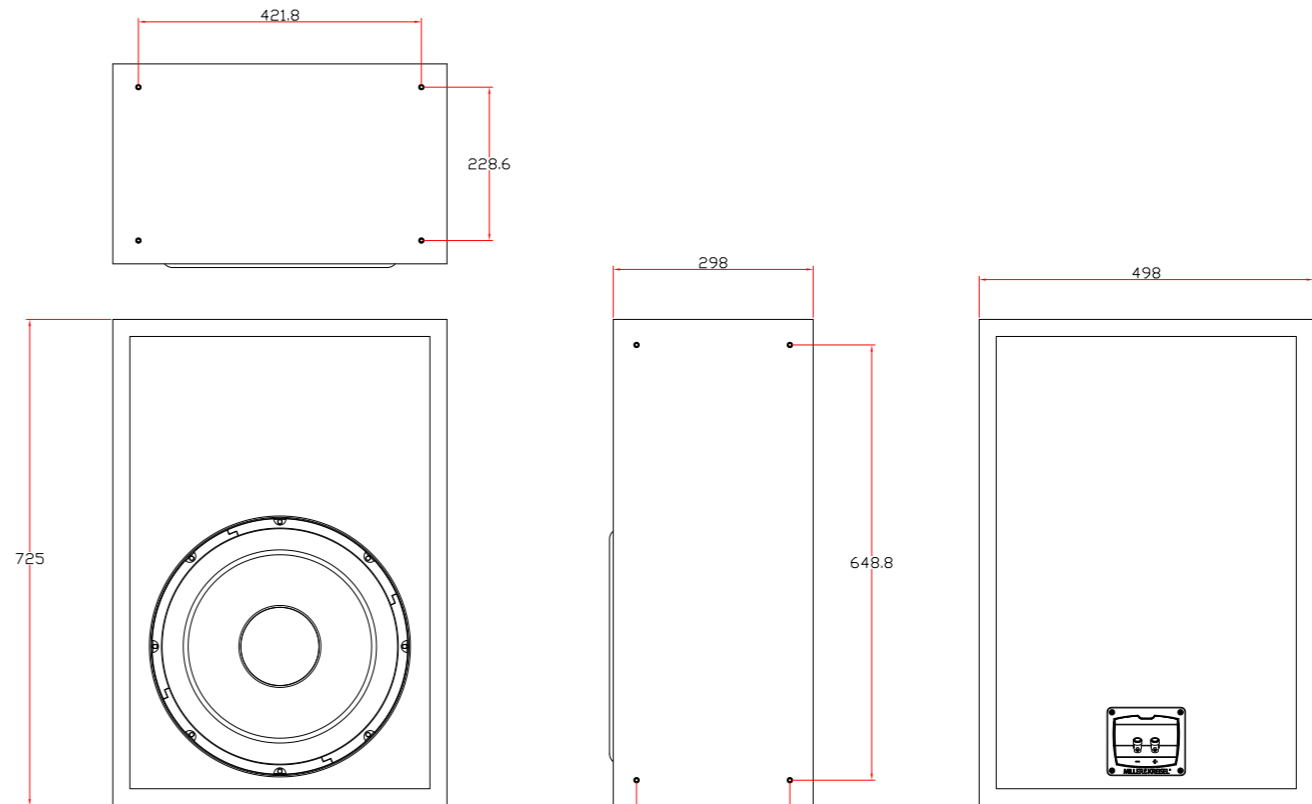
C15S Custom Install Subwoofer

Introducing the C15S Custom Install Subwoofer. Designed for custom installations, the C15S builds on the technology of the X-Series and V-Series subwoofers and goes BIG. With output on par with the dual 10" X-10 subwoofer (without the advantages of Push-Pull) in a single driver enclosure, the C15S is designed to aid enhance custom and large installations. Utilizing a specially tuned VA-500 amplifier, the entire system was custom designed from the ground up to reproduce the deepest notes at levels loud to be heard and felt.



New Product

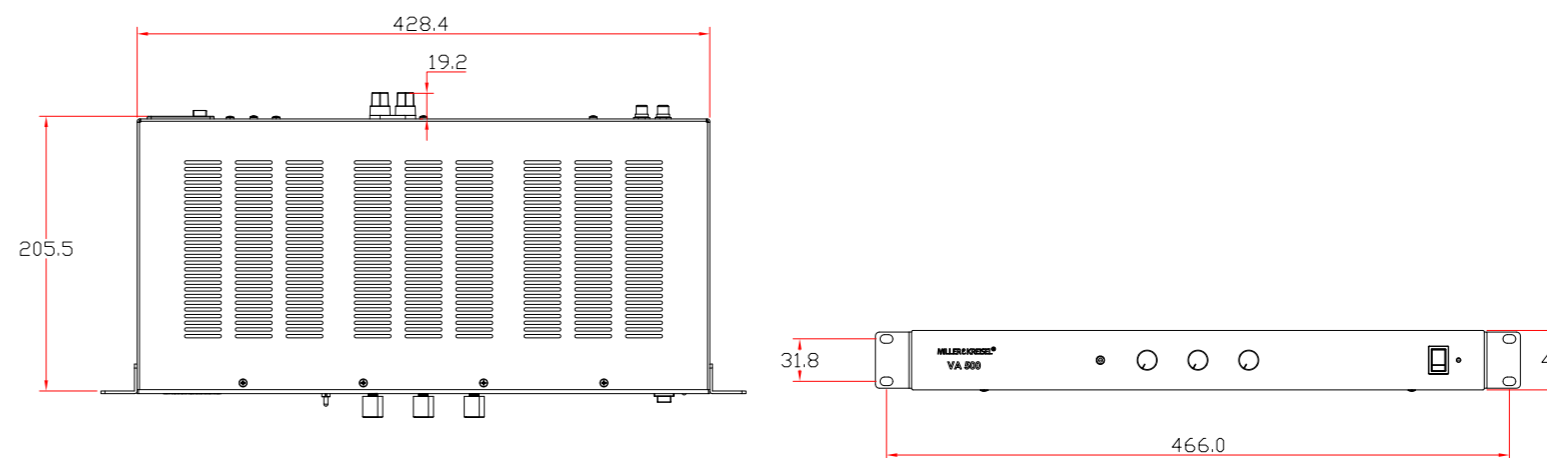
Impedance	4 Ohm
Bass Driver	15" Paper Pulp
Frequency Response	22-200Hz +/- 2dB
Sensitivity	90dB / 1m
Dimensions725 x 498 x 298
Cabinet Solid	1" MDF w/Full Center
Finish	No-Nonsense Black Vinyl
Accessories	Mounting Brackets



VA500 Blue Edition

Packaged with the C15S is this dedicated Class D amplifier with high efficiency, cool running and low standby voltage consumption is a further development of the amplifiers built into the popular M&K Sound V Series subwoofers. The Class D with mode power module is designed with effective over reserves to effortlessly deliver copious amounts of clean power to the C15S sub for extraordinary, uncompromising handling of demanding It.

Amplifier Power	500W RMS / 800W Peak
System Preamp	Analog
THD	<0.5% @ 500W
AC Power	100-240 VAC 50/60Hz
Inputs Line Level	RCA L/R
Outputs Line Level	RCA L/R
EQ Switch	<ol style="list-style-type: none"> 1. Center of Wall 2. Near a Corner 3. Placed in a Corner 3-Position Room Adaptation
Controls	Volume, Phase, Crossover
Dimensions (WxHxD)	16.88 x 1.74 x 8.81"
Dimensions (WxHxD)	429 x 44,4 x 224 mm
Dimensions (WxHxD) Rack size	19 x 1.74 x 8.81"
Dimensions (WxHxD) Rack size	483 x 44,4 x 224 mm
Weight	8.8 lbs / 4 kg



C15S SERIES





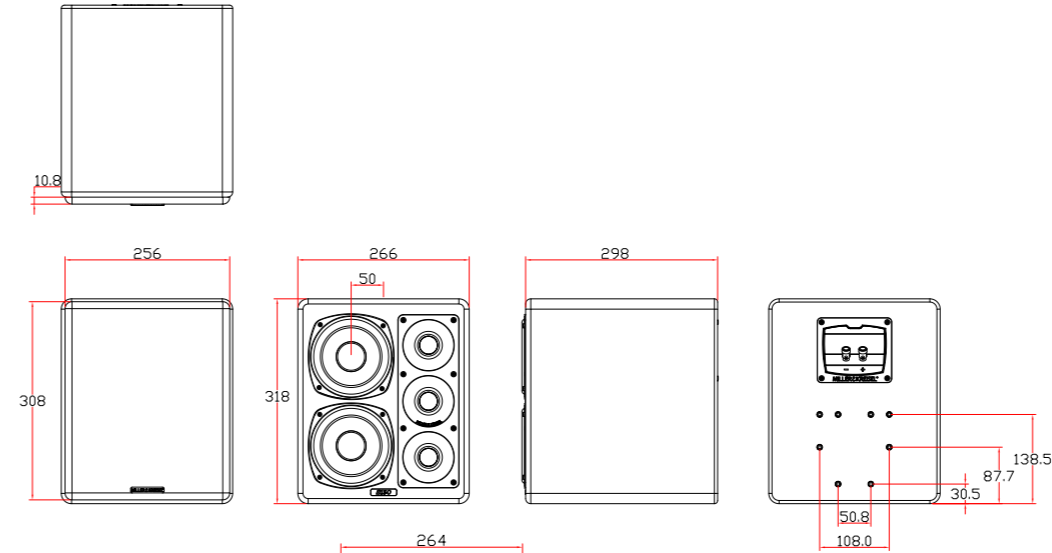
S150 Speaker **Acoustic Upgrade**

The legendary S150 is the culmination of more than 40 years of loudspeaker design and acoustic solution for any critical audio and video recordings.

What this updated version of the legendary studio monitor does in the conveyance of exactly what is there in the recorded source, no more and no less, is difficult to formulate in just a few words. Essentially, it does pretty much nothing, except open up a wide, clean, clear window on every aspect of recorded sound, allowing you to shift your personal focus as you choose between specific details, instruments or voices, while never losing sight of the totality of the overall musical experience.



Impedance: 4 ohms
 Recommended Amplifier Power: 25-500W
 Bass-Midrange: 2 x 5,25" Fiberglass
 High Frequency Array: 3 x 1.1" Soft Fabric Dome
 Frequency-repsonse: 75 Hz – 20KHz +/- 3dB
 Sensitivity: 92 dB, 2.83V1m
 HxWxD: 31,8 x 26,6 x 30,8 cm / 12,5 x 10,4 x 12,2"
 Weight 11.5 kg / 25.4 lbs
 Finish: Black Satin / White Satin



S150T Tripole® Speaker **Acoustic Upgrade**

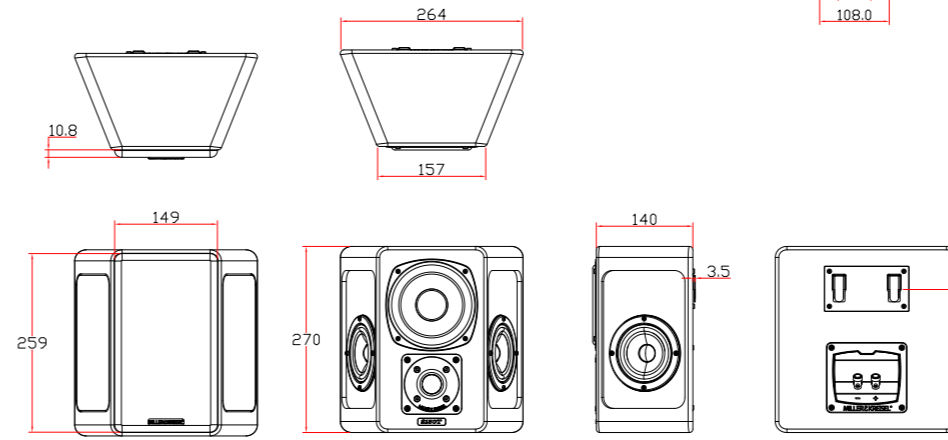
Side- or rear-mounted speakers in a multi-channel audio system pose a radically different set of performance challenges relative to conventional stereo systems, because surround speakers are typically positioned much closer to the listener and deliver sound to the ears from very different angles.

The proprietary Miller & Kreisel Tripole® configuration, essentially two speakers mounted in a single cabinet, is the first and only technology to effectively address these major issues to deliver both image specificity and an enveloping surround field, without compromise.

The Miller & Kreisel S150T Tripole® THX combines both front and side mounted drivers to direct the surround image both indirectly and directly into the listening area.



Impedance: 4 ohms
 Recommended Amplifier Power: 5-200W
 Bass-Midrange: 1 x 5,25" Fiberglass
 High Frequency Driver: 1.1" Soft Fabric Dome
 Side drivers: 2 x 3.5" Paper Pulp
 Frequency-repsonse: 80 Hz – 20KHz +/- 3dB
 Sensitivity: 86 dB, 2.83V1m
 Back HxWxD: 27 x 26.5 x 15 cm / 10.6 x 10.4 x 5.9"
 Front HxWxD: 27 x 16.5 x 15 cm / 10.6 x 6.4 x 5.9"
 Weight 4.8 kg / 10.6 lbs
 Finish: Black Satin / White Satin



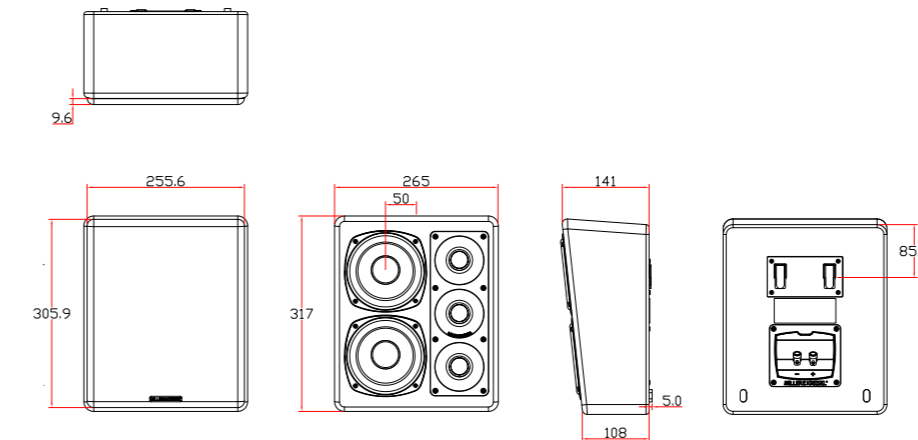
MP150 On-Wall Speaker **Acoustic Upgrade**

For environments where stand-mounting or desktop placement is not an option, Miller & Kreisel offers MP150, an On-Wall configuration of our state of the art S150THX Ultra2.

The new MP150 now features the ultra-low compression tweeter as used in the M&K Professional Monitors as well as in the legendary S150. With the "Professional" tweeter aboard the MP150 offers exactly identical components, drivers and technologies in order to deliver the same uncompromising sound quality heard in recording studios and post-production facilities worldwide.



Impedance: 4 ohms
 Recommended Amplifier Power: 25-400W
 Bass-Midrange: 2 x 5.25" Fiberglass
 High Frequency Array: 3 x 1" Soft Fabric Dome
 Frequency-repsonse: 75 Hz-20KHz +/- 3dB
 Sensitivity: 92 dB, 2.83V1m
 Back HxWxD: 30 x 26.6 x 14.1 cm / 11.8 x 10.4 x 5.5"
 Front HxWxD: 31.7 x 26.6 x 10.8 cm / 12.4 x 10.4 x 4.2"
 Weight 8.3 Kg / 18.3 lbs
 Finish: Black Satin / White Satin



150 SERIES



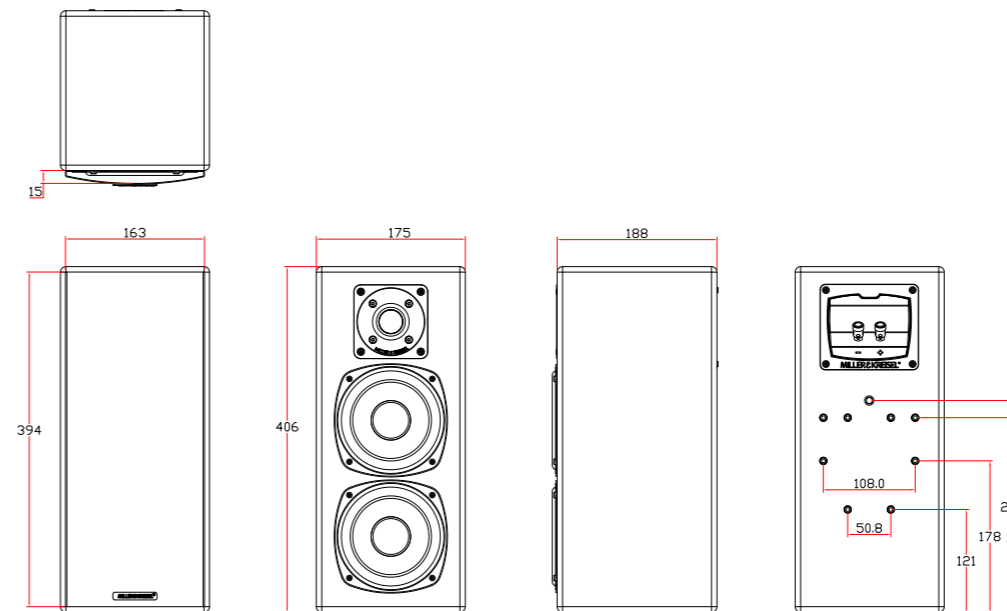
LCR950 Speaker **Acoustic Upgrade**



The LCR950 THX Select2 Series takes full advantages of M&K's legacy and are designed featuring exact same driver and x-over components as used in the active professional studio monitors and in the S150 Series.

The dual bass-midrange drivers specially designed for extended dynamic range and low compression at moderate to high listening level and combined with our 1" waveguide tweeter the LCR950 deliver the superior performance known from any M&K speaker and provides perfect imaging in both "on" and "off axis" listening positions.

Impedance..... 4 ohms
 Recommended Amplifier Power 25-400 watt
 Bass-Midrange 2 x 5.25" Polypropylene
 High Frequency driver 1" Soft fabric dome
 Frequency response 80-20Khz +/-3dB
 Sensitivity..... 90 dB, 2,83V1m
 Dimensions HxWxD 15,9 x 6,8 x 7,4" / 406 x 175 x 188 mm
 Weight..... 15,2lbs / 6,9 kg
 Finish..... Black satin



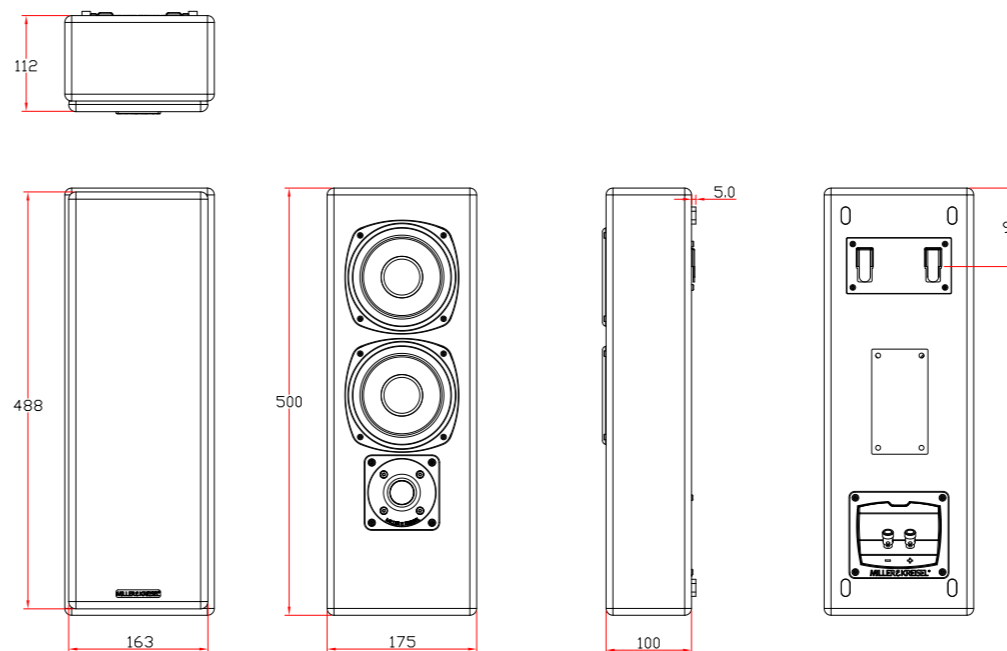
MP950 On-Wall Speaker **Acoustic Upgrade**

The Timbre matched shallow On-Wall speaker MP950 are a full member of the 950 Series.

MP950 are featured with same drivers as the LCR950 speaker, but are especially designed for On-Wall applications, having the crossover network to compensate for wall boundry effect.

MP950 has integrated bracket for vertical wall mount.

Impedance..... 4 ohms
 Recommended Amplifier Power 25-200 watt
 Bass-Midrange 2 x 5.25" Polypropylene
 High Frequency driver 1" Soft fabric dome
 Frequency response 80-20Khz +/- 3dB
 Sensitivity..... 90 dB, 2,83V1m
 Dimensions HxWxD 19,6 x 6,8 x 3,9" / 500 x 175 x 100 mm
 Weight..... 14 lbs / 6,6 kg
 Finish..... Black satin / White satin



950 SERIES





LCR750 Speaker **Acoustic Upgrade**

The new Miller & Kreisel 750 Series takes the THX Select category to new levels, proudly introducing a true acoustic upgrade to one of our most important speaker series.

We've taken the innovative high-performance technologies from the S150 Series and integrated them into the new Miller & Kreisel 750 Series. Using the technologies, innovations and learnings from the newly redesigned S150 Series. Selected components derived from S150 Series.

There is an undeniable transparency to the delivery, combined with some simple exceptional detail retrieval. The main speakers produce a highly cohesive front soundstage. The 750 system appear with smooth response and perfect imaging in both "on" and "off axis" listening positions.



LCR750C Speaker **Acoustic Upgrade**

Identical with the above, but designed as a center speaker.



SUR55T Tripole® Speaker **Acoustic Upgrade**

The SUR55T is the most compact THX Tripole® solution. Delivers a operatic clarity, and neutrality and simply reproduces sound as it 's ment to be heard, without obvious colouration or excessive warmth, timber matched to any of the 750 Series Speakers.

The SUR55T also has the same integrated wave guide, aluminium rings and high-frequency prism system, along with a curved metal grille. As with the LCR750 speakers, the left and right units are identified as such.

Featuring two 3" mid-tweeters on each side of the speaker oriented in dipole fashion, combined with the front-mounted 1" soft-dome tweeter and a 5.25" midwoofer direct radiating, the SUR55T provides even distribution of sound throughout the listening area with pinpoint accuracy and an enveloping soundfield.



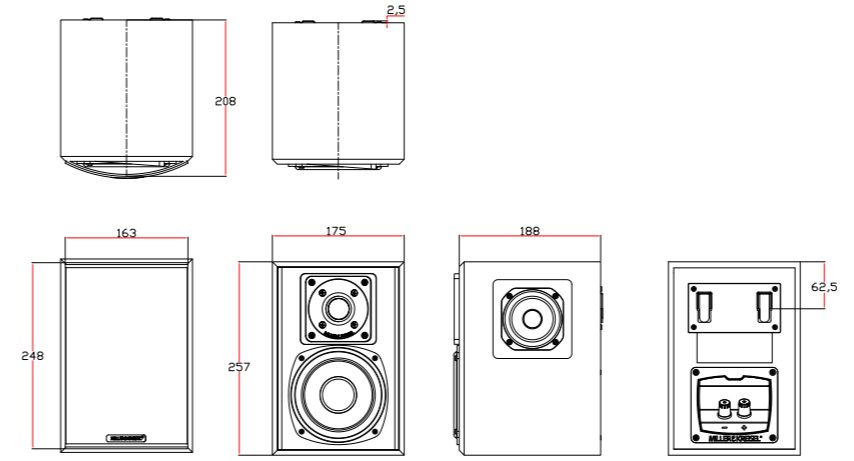
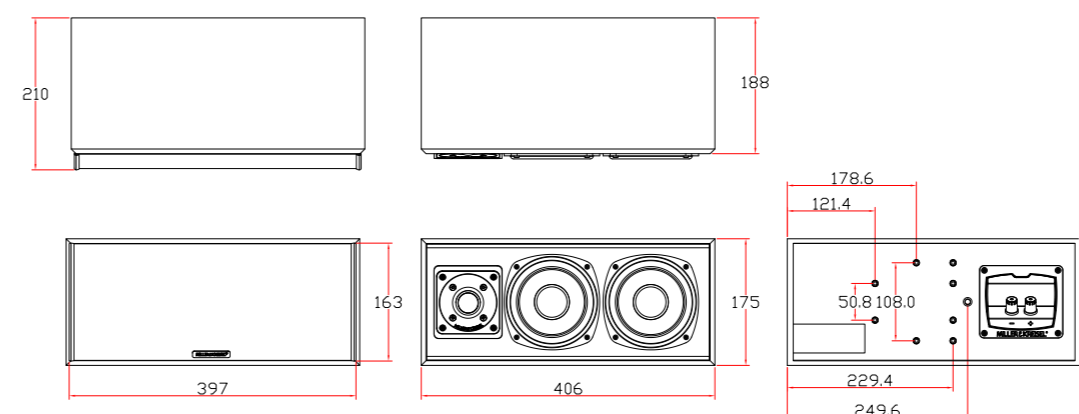
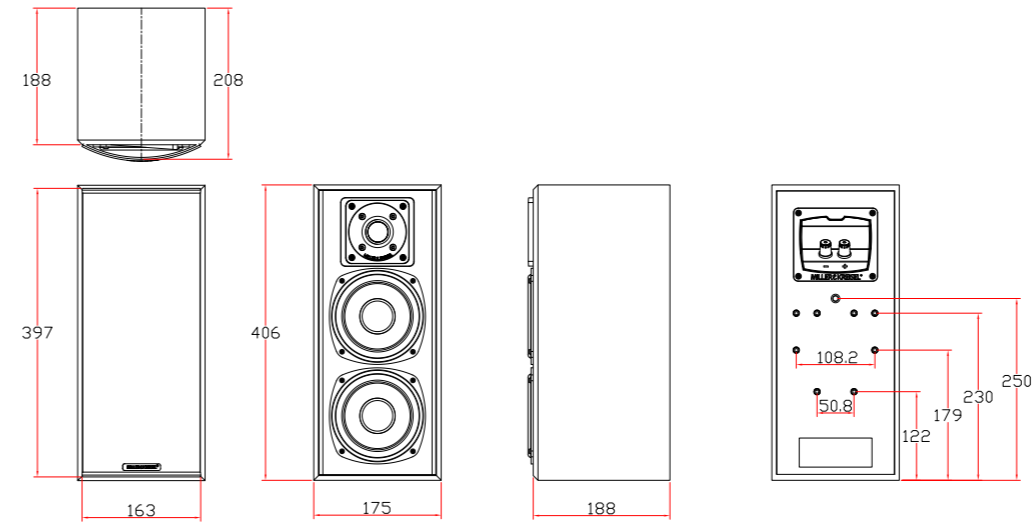
Impedance.....	4 ohms
Recommended Amplifier Power	25-400 watt
Bass-Midrange	2 x 5.25" Polypropylene
High Frequency driver	1" Soft fabric dome
Frequency response	80-20Khz +/-3dB
Sensitivity.....	90 dB, 2,83V1m
Dimensions HxWxD	15,9 x 6,8 x 7,4" / 406 x 175 x 188 mm
Weight.....	15,2 lbs / 6,9 kg
Finish.....	Black Vinyl



Impedance.....	4 ohms
Recommended Amplifier Power	25-400 watt
Bass-Midrange	2 x 5.25" Polypropylene
High Frequency driver	1" Soft fabric dome
Frequency response	80-20Khz +/-3dB
Sensitivity.....	90 dB, 2,83V1m
Dimensions HxWxD	6.8 x 15.9 x 7.4" / 175 x 406 x 188 mm
Weight	15,2 lbs / 6,9 kg
Finish.....	Black Vinyl



Impedance.....	4 ohms
Recommended Amplifier Power	25-200 watt
Bass-Midrange	5.25" Polypropylene
High Frequency driver	1" Soft fabric dome
Side driver	2 x 3,5" Coated texture taper
Frequency response	80-20Khz
Sensitivity.....	85 dB, 2,83V1m
Dimensions HxWxD	10,1 x 6,8 x 7,4" / 257 x 175 x 188 mm
Weight	10,25 lbs / 4,7 kg
Finish.....	Black Vinyl



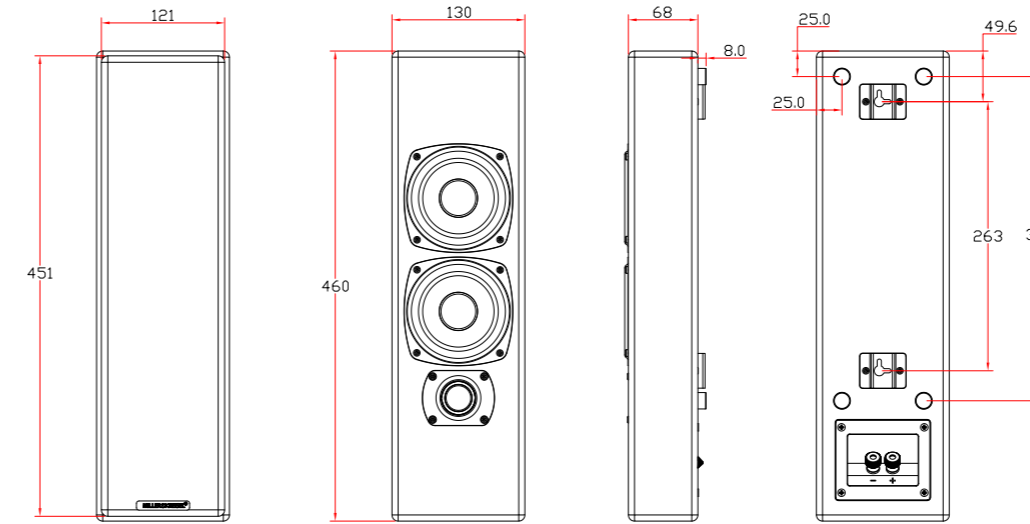
750 SERIES



M70 Speaker **New Edition**

NEW design – form and function are optimized for today's listening and viewing experience. The décor-friendly On-Wall design gives the customers the flexibility for an easy and simple installation where performance and esthetic are the core elements. The ultra slim, low-profile enclosure is the benchmark for the NEW M Series. All model is designed specifically for direct On-Wall mounting and is fitted with integral rear panel brackets, along with specially designed damping pads to ensure easy and vibration-free installation. All mounting accessories is included providing a simple and hassle-free installation. All models feature new components as well as a new improved cross-over making each model a true voice match within the M Series.

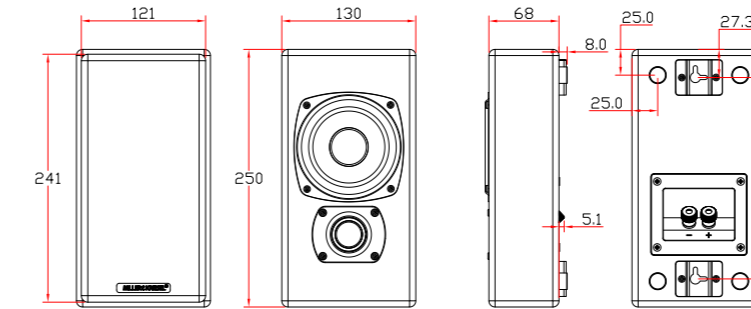
Impedance: 4 ohm
Frequency Response: 80 – 20Khz (+/- 2dB)
Frequency Roll Off: 80Hz (-10dB 80 Hz near field wall mounted)
Crossover Frequency: 1.8 KHz
Tweeter (shielded): 1" Dome – Coated silk dome / Neodymium magnet
Woofer (shielded): 2 x 4" Coated glass fibre
Power Handling: 125 watt (Long term IEC-268-5)
Power Handling: 70 watt (Rated IEC-268-5)
Recommended Amplifier Power: 25-200W
Sensitivity: 89 dB
System Princip: Sealed enclosure
Wall Connection: Terminal gold plating (Screw for 5 mm cable / Banana)
Dimensions HxWxD: 18,1 x 5,1 x 3,3" / 46 x 13 x 8,8 cm
Weight: 8.4 lb / 3,8 kg
Finish: Black / White satin



M50 Speaker **New Edition**

NEW design – form and function are optimized for today's listening and viewing experience. The décor-friendly On-Wall design gives the customers the flexibility for an easy and simple installation where performance and esthetic are the core elements. The ultra slim, low-profile enclosure is the benchmark for the NEW M Series. All model is designed specifically for direct On-Wall mounting and is fitted with integral rear panel brackets, along with specially designed damping pads to ensure easy and vibration-free installation. All mounting accessories is included providing a simple and hassle-free installation. All models feature new components as well as a new improved cross-over making each model a true voice match within the M Series.

Nominal system impedance: 4 ohm (Z-min 4.9 ohm)
Frequency Response: 100-20Khz (average response in room +/- 2dB)
Frequency Roll Off: 100Hz (-6dB 100 Hz near field wall mounted)
Crossover Frequency: 1.8 KHz "Phase focused" (4th&2nd order)
Tweeter (shielded): 1" Dome – Coated silk dome / Neodymium magnet
Woofer (shielded): 4" Coated glass fibre
Power Handling: 80 watt Long term IEC-268-5 (cycled input 100-20Khz)
Power Handling: 50 watt (Rated IEC-268-5 (constant input 100-20Khz)
Recommended Amplifier Power: 25-125 watt
Sensitivity: 85 dB (Average SPL 2.83 Volt / 1mtr (on axis 200-10KHz)
System Princip: Sealed enclosure
Wall Connection: Terminal gold plating (Screw for 5 mm cable / Banana)
Dimensions HxWxD: 9,8 x 5,1 x 3,3 inch – 25 x 13 x 8,5cm (incl grill)
Weight: 4.4 lb / 2.0 kg
Finish: Black / White satin

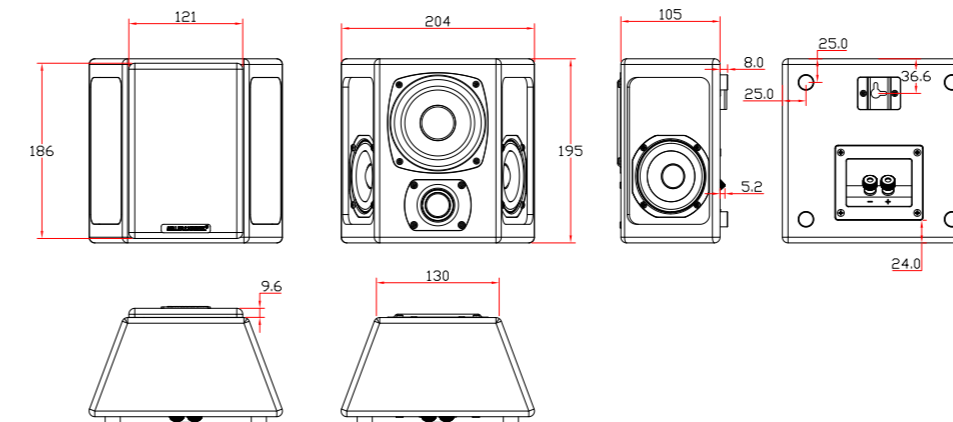


M40T Tripole® Speaker **New Edition**

The new M40T Tripole® is the multi-polar side and rear channel speaker voice-matched for the M Series speakers, providing the benefits of exclusive Miller & Kreisel Sound Tripole® technology in a remarkably compact and affordable package.

Combining a direct-radiator speaker (front-mounted drivers) with a dipole speaker (side-mounted drivers) in the same cabinet and utilizing Miller & Kreisel's proprietary Phase-Focused Crossover, the M40T Tripole® design provides extraordinarily even dispersion of sound throughout the room across a broad listening area with superior imaging and sound quality.

Nominal system impedance: 4 ohm (Z-min 4.6 ohm)
Frequency Response: 100-20Khz (average response in room +/- 2dB)
Frequency Roll Off: 100Hz (-6dB 100 Hz near field wall mounted)
Crossover Frequency: 2.0 KHz "Phase focused" (4th&2nd order)
Tweeter (shielded): 1" Dome – Coated silk dome / Neodymium magnet
Woofer (shielded): 4" Coated glass fibre
Side drivers (shielded): 2 X 3" (Polymer Coated Textured Paper)
Power Handling: 80 watt Long term IEC-268-5 (cycled input 100-20Khz)
Power Handling: 50 watt (Rated IEC-268-5 (constant input 100-20Khz)
Recommended Amplifier Power: 25-125 watt
Sensitivity: 85 dB (Average SPL 2.83 Volt / 1mtr (on axis 200-10KHz)
System Princip: Sealed enclosure
Wall Connection: Terminal gold plating (Screw for 5 mm cable / Banana)
Dimensions HxWxD: magnet 7.7 x 7,8 x 4,8 inch- 19,5 x 20 x 12,2 cm (incl grill)
Weight: 6.5 lb / 2.9 kg
Finish: Black / White satin



M SERIES



MPS2520P Studio Monitor **New Edition**

The MPS2520P studio monitor are featured with a total of 5 loudspeaker units providing impressive sound impact in an ultra-compact format.

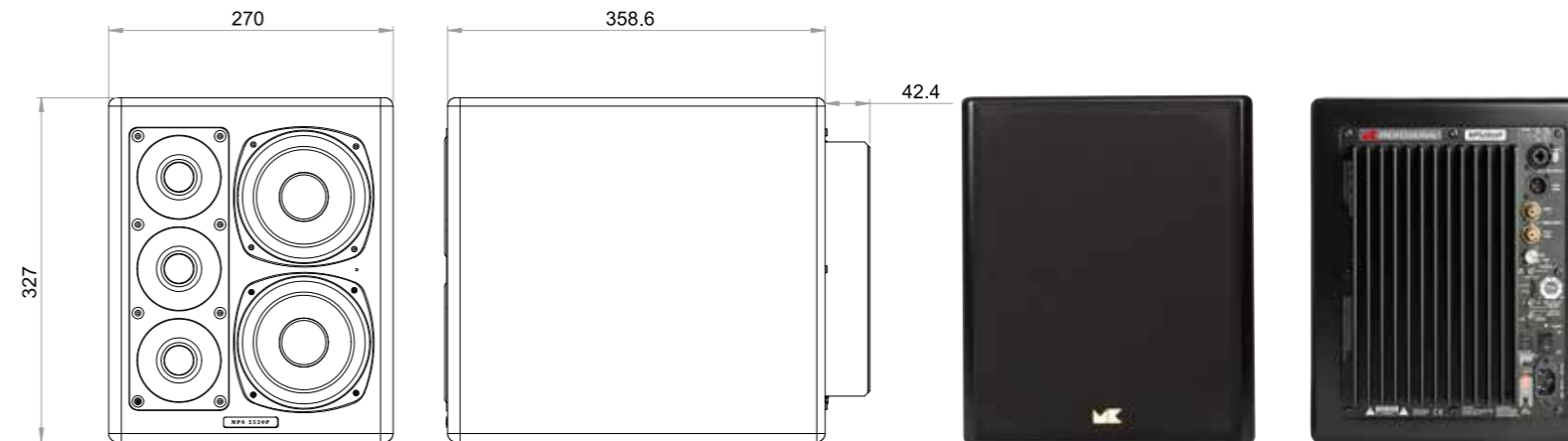
The dual channel power amplifiers drive the bass-midrange and high frequency sections with great precision and full control of signal dynamics.

The 5.25" bass-midrange drivers are tuned for sealed box with 0.707 box Q to provide an absolute optimal system step response control. Combined with triple stacked tweeters operating down to 1.2Khz, makes the MPS2520P sound response become fast and sharp, with superior qualities to control reference recordings, editing, processing, and master mixing for music and movie productions.

MPS2520P are designed for easy system setup using the build in high pass filter for smooth integration with Miller & Kreisel subwoofers.

Amplifier power bass-midrange: 200watt RMS/400watt peak
 Amplifier power high frequency: 180watt RMS/360watt peak
 Bass-midrange: 2 x 5.25 Glassfibre
 High frequency drivers: 3 x 1,1" soft fabric dome
 Frequency response: 80-12KHz +/-1dB / 12-20KHz +/-2dB
 Total Harmonic distortion: <0.002% into 4 ohms LF Channel / 0.03% into 4 ohms HF channel

Signal to noise ratio: 100dB
 AC power consumption: Standby/Average/Max 17W, 45W, 360W
 AC line voltage: 115VAC/60Hz 5A - 230VAC/60Hz 3.15A
 Input impedance unbalanced 11Kohm / balanced 22Kohm
 Input sensitivity unbalanced 1 00mV 90dB 1m / balanced 200mV 90dB 1m
 Max output level: 110dB/100Hz
 Max input: 24dBu balanced
 High pass filter: Fixed 80 Hz (24dB)
 Vertical directivity control: Wide/Narrow - 50/30 Deg.
 Dimensions HxWxD: 12.8 x 10.6 x 15.8" / 327 x 270 x 401 mm
 Weight: 39.6 lbs / 18 kg
 Finish: Black satin



MPS1620P Studio Monitor **New Edition**

The MPS1620P studio monitor feature a long stroke 6.5" driver and a low compression 1" dome tweeter to provide impressive sound impact for high resolution "sound productions"

The dual channel power amplifiers drive the bass-midrange and high frequency sections with great precision and full control of signal dynamics.

The MPS1620P can operate both as a sealed or a ported loudspeaker due to the removeable "port plug system" at the rear side of speaker.

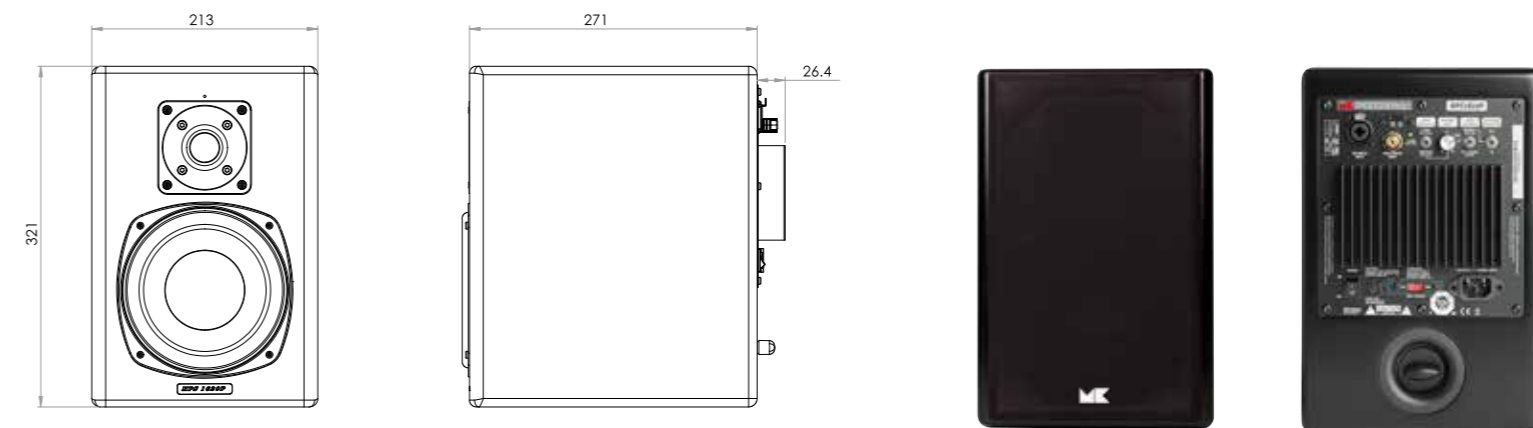
When operating with subwoofer, the choice of sealed box configuration and filter set to "normal" will provide the classic Miller & Kreisel sub/sat crossover configuration, while when using the MPS1620P as a stand-alone monitor, the ported configuration with filter set to "full-range" will extend bass response and provider precise "broad band" response for near field monitor applications.

MPS1620P is a flexible high precision studio monitor to use for reference recordings, editing, processing, and master mixing for music and movie productions.

Amplifier power bass-midrange: 100watt RMS/200watt peak
 Amplifier power high frequency: 50watt RMS/100watt peak
 Bass-midrange: 1 x 6,5" polypropylene woofer
 High frequency drivers: 1 x 1" soft dome tweeter
 Frequency response: Sealed/normal setting 80-22KHz +/-2dB
 Frequency response: Sealed/full range setting/ (wall or console loaded) 45-22KHz +/-2dB

Frequency response: Ported/normal setting 45-22KHz +/-2dB
 Frequency response: Ported/full range setting/ (wall or console loaded) 35-22KHz +/-2dB
 Total Harmonic distortion: < 0,025% into 8 ohms LF channel/ < 0.025% into 4 ohms HF channel

Signal to noise ratio: 100 dB
 AC power consumption: Standby/Average/Max (15W, 30W, 240W)
 AC line voltage: 115VAC/60Hz 2A - 230VAC/50Hz 1A
 Input impedance unbalanced 11kohm / balanced 22Kohm
 Input sensitivity unbalanced 100mV 88dB 1m / balanced 200mV 88dB 1m
 Max output level: 106dB/100Hz
 Max input: 24dBu balanced
 High pass filter: Fixed 80 Hz (24dB)
 Dimensions HxWxD: 12.6 x 8.3 x 11.6" / 321 x 213 x 297 mm
 Weight: 20.3 lbs / 9,2 kg
 Finish: Black satin



PRO SERIES



X12 Subwoofer



Featured with dual Push Pull coupled long stroke 12" drivers in sealed enclosure.

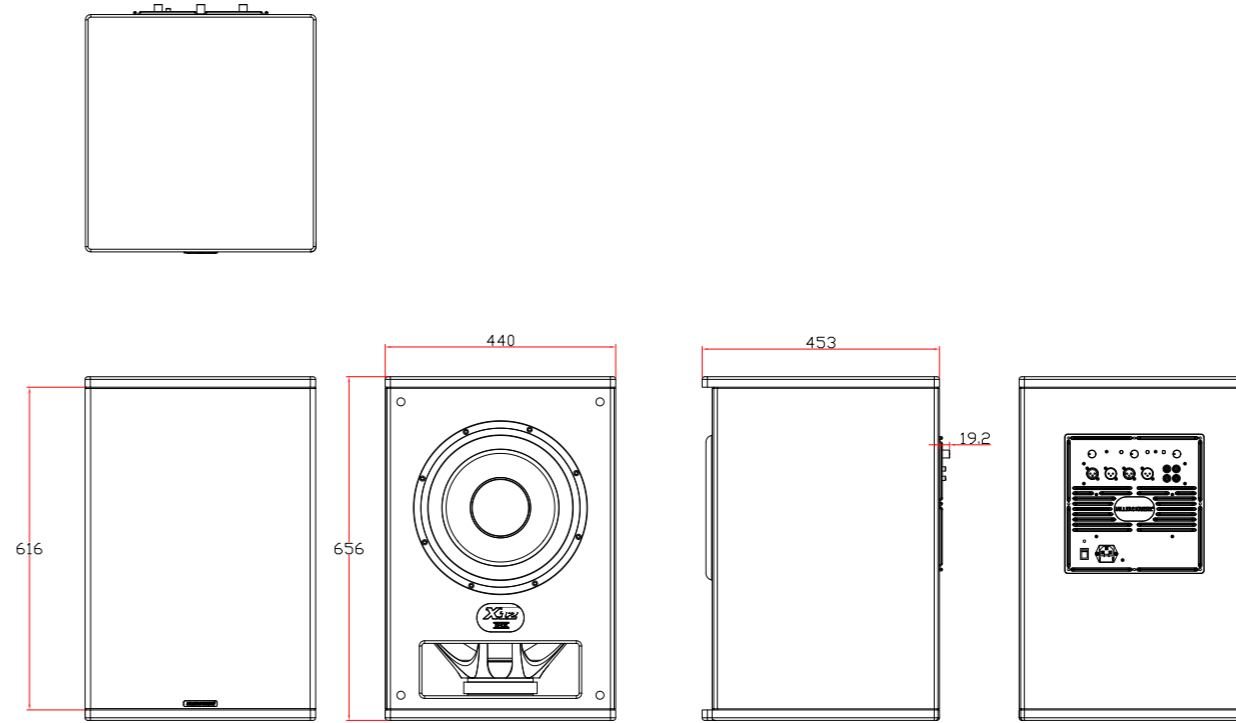
Combining digital switch mode power section of 400 watt RMS, with M&K proprietary analog "front-end" input stage, all designed for the legendary Miller & Kreisel bass extension.

The M&K X12 subwoofer offer Ultra low distortion and the highest dynamic performance, as using "dual Push Pull coupled drivers" providing a total surface area most equivalent to a single 18" driver.

X12 is rewarded with "reference status" for music and movie production, and Home Theater applications.



Amplifier Power	400 Watts RMS / 700 Watts Peak
Frequency Response	20 - 200 Hz +/- 2 dB
Total Harmonic Distortion	< 0.5%, 400 Watts, 4 Ohm
AC Power Consumption	0.5W standby, 60W average, 500W max.
AC Line Voltage	100-230 VAC 50/60 Hz 5A
LFE Input	L/R Line level RCA & L/R XLR balanced
LFE Passthrough Output	L/R Line level RCA & L/R XLR balanced
Switchable Lowpass Filters	Fixed 80 Hz / Variable / No lowpass
Phase	0-180 degrees, continuously variable
Volume control	Continuously variable / Fixed THX
Switchable LFE	Optional THX or MK EQ mode
Dimensions HxWxD	25,8 x 17,3 x 17,8" / 656 x 440 x 453 mm
Weight	79.3 lbs / 36 kg
Finish	Black satin



X10 Subwoofer



Featured with dual Push Pull coupled long stroke 10" drivers in sealed enclosure.

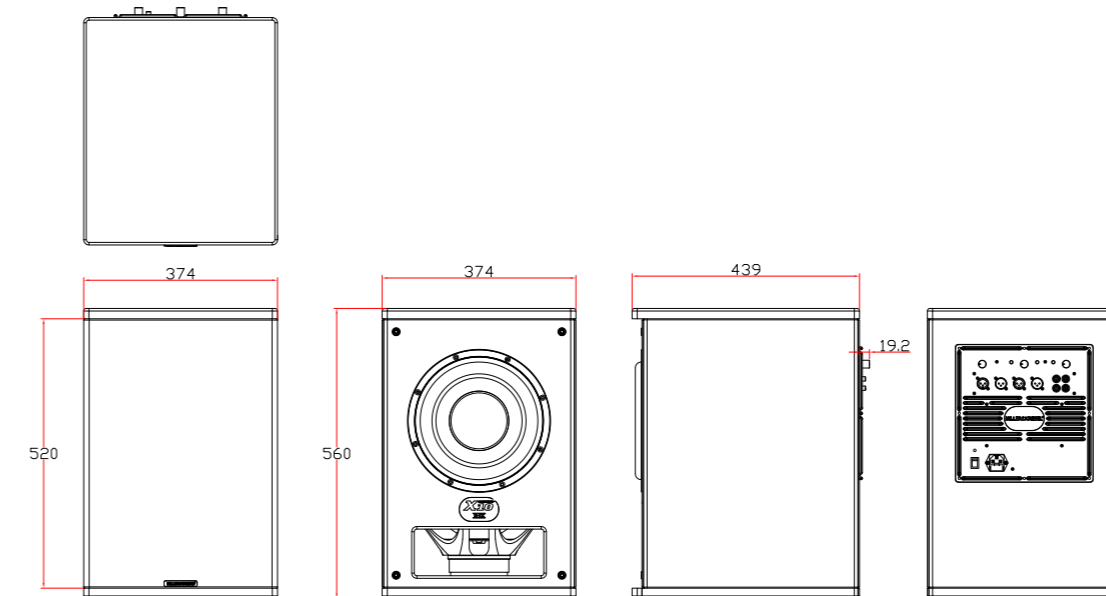
Combining digital switch mode power section of 350 watt RMS, with M&K proprietary analog "front-end" input stage, all designed for the legendary Miller & Kreisel bass extension.

The M&K X10 subwoofer offer very low distortion and high dynamic performance, as using "dual Push Pull coupled drivers" providing a total surface area most equivalent to a single 15" driver.

X10 is multiple rewarded for high quality performance in music and movie production, and Home Theater applications.



Amplifier Power	350 Watts RMS / 650 Watts Peak
Frequency Response	20 - 200 Hz +/- 2 dB
Total Harmonic Distortion	< 0.5%, 350 Watts, 4 Ohm
AC Power Consumption	0.5W standby, 55W average, 450W max.
AC Line Voltage	100-230 VAC 50/60 Hz 5A
LFE Input	L/R Line level RCA & L/R XLR balanced
LFE Passthrough Output	L/R Line level RCA & L/R XLR balanced
Switchable Lowpass Filters	Fixed 80 Hz / Variable / No lowpass
Phase	0-180 degrees, continuously variable
Volume control	Continuously variable / Fixed THX
Switchable LFE	Optional THX or MK EQ mode
Dimensions HxWxD	22 x 14,7 x 17,3" / 560 x 374 x 439 mm
Weight	61.7 lbs / 28 kg
Finish	Black satin



X SERIES



V12 Compact Subwoofer

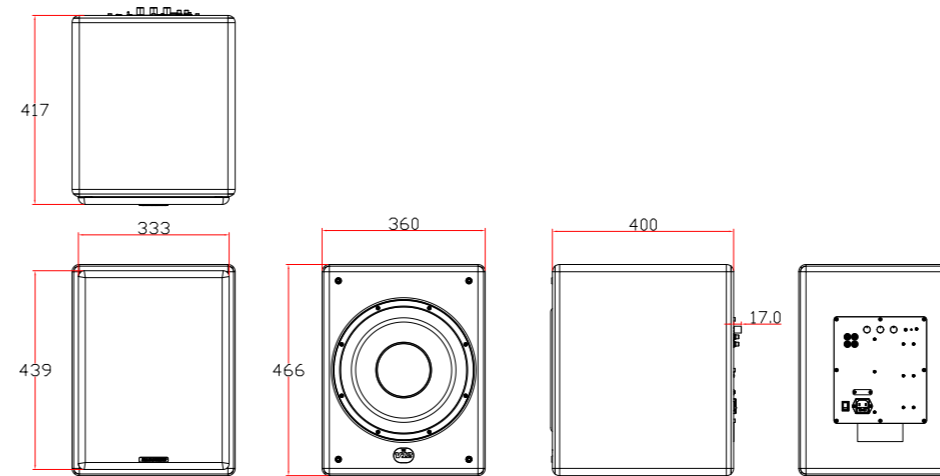


Featured with single 12" driver in sealed enclosure, combining digital switch mode power section of 300 watt RMS, with M&K proprietary analog "front-end" input stage designed for the legendary Miller & Kreisel bass extension.

The M&K V12 subwoofer carry THX Select 2 certification resulting in ultra low distortion and high dynamic performance in a compact format.



Amplifier power 300 watt RMS /500 watt peak
 Frequency response 20-200Hz +/- 2dB
 Total harmonic distortion >0.5% 300 watt, 4 ohm
 AC power consumption Standby/Average/Max 0,5/50/300W
 AC Line Voltage 100-240 VAC 50/60Hz 6.3A
 LFE Input L/R line level RCA
 LFE Passthrough output L/R line level RCA
 Low pass filter 60-200 Hz Continuously variable, No low pass THX mode
 Phase 0-180 deg : Continuously variable
 Volume Continuously variable / Fixed THX
 Dimensions HxWxD 18,3" x 14,1" x 15,7" / 466 x 360 x 400 mm
 Weight 48,5 lbs / 22,0 kg
 Finish Black satin / White satin



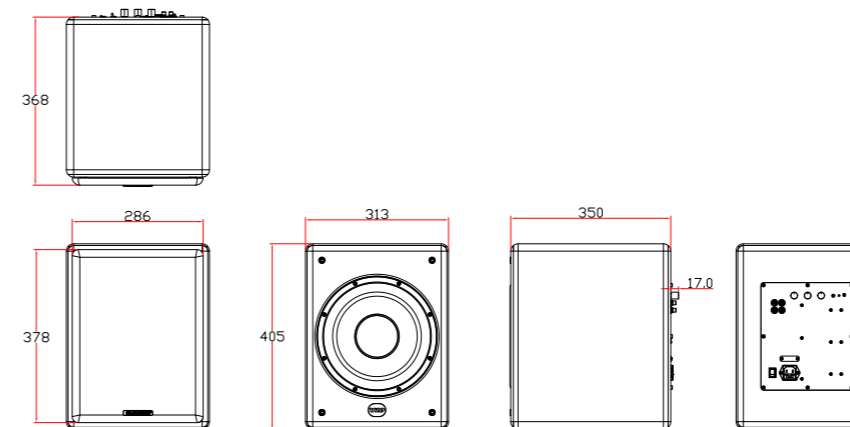
V10 Compact Subwoofer

Featured with single 10" driver in sealed enclosure, combining digital switch mode power section of 200 watt RMS, with M&K proprietary analog "front-end" input stage designed for the legendary Miller & Kreisel bass extension.

The M&K V10 subwoofer delivers low distortion and high dynamic performance in a very compact format.



Amplifier power 200 watt RMS /350 watt peak
 Frequency response 25-200Hz +/- 2dB
 Total harmonic distortion >0.5% 200 watt, 4 ohm
 AC power consumption Standby/Average/Max 0,5/40/200W
 AC Line Voltage 100-240 VAC 50/60Hz 4A
 LFE Input L/R line level RCA
 LFE Passthrough output L/R line level RCA
 Low pass filter 60-200 Hz Continuously variable
 Phase 0-180 deg : Continuously variable
 Volume Continuously variable
 Dimensions HxWxD 15,9" x 12,4" x 13,7" / 405 x 313 x 350 mm
 Weight 39,7 lbs / 18,0 kg
 Finish Black satin / White satin



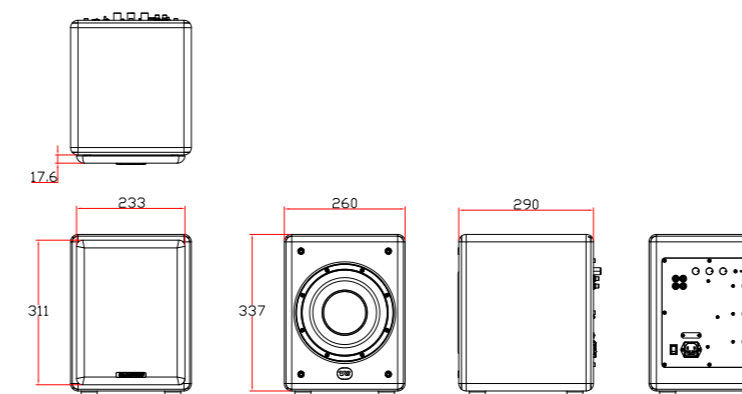
V8 Compact Subwoofer

Featured with single 8" driver in sealed enclosure, combining digital switch mode power section of 150 watt RMS, with M&K proprietary analog "front-end" input stage designed for the legendary Miller & Kreisel bass extension.

The M&K V8 subwoofer delivers low distortion and high dynamic performance in a ultra compact format.



Amplifier power 150 watt RMS /250 watt peak
 Frequency response 30-200Hz +/- 2dB
 Total harmonic distortion >0.5% 150 watt, 4 ohm
 AC power consumption Standby/Average/Max 0,5/30/150W
 AC Line Voltage 100-240 VAC 50/60Hz 3,15A
 LFE Input L/R line level RCA
 LFE Passthrough output L/R line level RCA
 Low pass filter 60-200 Hz Continuously variable
 Phase 0-180 deg : Continuously variable
 Volume Continuously variable
 Dimensions HxWxD 13,3" x 10,3" x 11,4" / 337 x 260 x 290 mm
 Weight 24,3 lbs / 11,0 kg
 Finish Black satin / White satin



V SERIES



Movie 5.1 System **New Product**

Saves on space, not on sound.
The “Movie 5.1 system” supplies with minimum space requirements excellent home theater sound.

This system makes it a real recommendation not only for beginners. In particular in its specialized field of film sound playback, the compact surround set plays big. Atmospheric scenes dominated the thrilling as well as fast-paced action scenes, always paired with a crystal-clear dialogue reproduction.

The K50 front speakers are only 85 millimeters thick and can be easily mounted on the wall. Together with the K40T Tripole surround speakers and the V8 Movie active subwoofer, they form a powerful home Cinema set in your living room.

Sold as set, delivered in one box consisting of:

- 3 x K50 speakers
- 2 x M40T Tripole® speakers
- 1 x V8 Movie subwoofer
- Wall brackets

Line drawings and measurements please look at page 29 and 35.

K50

Nominal system impedance: 4 ohm (Z-min 4.9 ohm)
Frequency Response: 100-20Khz (average response in room +/- 2dB)
Frequency Roll Off: 100Hz (-6dB 100 Hz near field wall mounted)
Crossover Frequency: 1.8 Khz “Phase focused” (4th&2nd order)
Tweeter (shielded): 1” Dome – Coated silk dome / Neodymium magnet
Woofer (shielded): 4” Coated glass fibre
Power Handling: 80 watt Long term IEC-268-5 (cycled input 100-20Khz)
Power Handling: 50 watt (Rated IEC-268-5 (constant input 100-20Khz)
Recommended Amplifier Power: 25-125 watt
Sensitivity: 85 dB (Average SPL 2.83 Volt / 1mtr (on axis 200-10KHz)
System Princip: Sealed enclosure
Connection: Terminal gold plating (Screw for 5 mm cable / Banana)
Dimensions HxWxD: 9,8 x 5,1 x 3,3 inch – 25 x 13 x 8,5cm (incl grill)
Weight: 4.4 lb / 2.0 kg
Finish: Black vinyl

M40T

Nominal system impedance: 4 ohm (Z-min 4.6 ohm)
Frequency Response: 100-20Khz (average response in room +/- 2dB)
Frequency Roll Off: 100Hz (-6dB 100 Hz near field wall mounted)
Crossover Frequency: 2.0 Khz “Phase focused” (4th&2nd order)
Tweeter (shielded): 1” Dome – Coated silk dome / Neodymium magnet
Woofer (shielded): 4” Coated glass fibre
Side drivers (shielded): 2 X 3” (Polymer Coated Textured Paper)
Power Handling: 80 watt Long term IEC-268-5 (cycled input 100-20Khz)
Power Handling: 50 watt (Rated IEC-268-5 (constant input 100-20Khz)
Recommended Amplifier Power: 25-125 watt
Sensitivity: 85 dB (Average SPL 2.83 Volt / 1mtr (on axis 200-10KHz)
System Princip: Sealed enclosure
Connection: Terminal gold plating (Screw for 5 mm cable / Banana)
Dimensions HxWxD: magnet 7.7 x 7,8 x 4,8 inch- 19.5 x 20 x 12,2 cm (incl grill)
Weight: 6.5 lb / 2.9 kg
Finish: Black vinyl

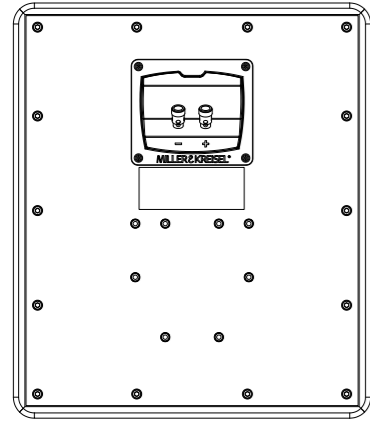
V8 Movie

Amplifier power 150 watt RMS /250 watt peak
Frequency response 30-200Hz +/- 2dB
Total harmonic distortion >0.5% 150 watt, 4 ohm
AC power consumption Standby/Average/Max 0,5/30/150W
AC Line Voltage 100-240 VAC 50/60Hz 3,15A
LFE Input L/R line level RCA
LFE Passthrough output L/R line level RCA
Low pass filter 60–200 Hz Continuously variable
Phase 0-180 deg : Continuously variable
Volume Continuously variable
Dimensions HxWxD 13,3” x 10,3” x 11,4” / 337 x 260 x 290 mm
Weight 24,3 lbs / 11,0 kg
Finish Black vinyl

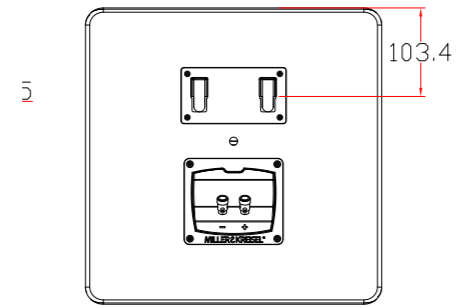


Rear panels - dimensions for brackets

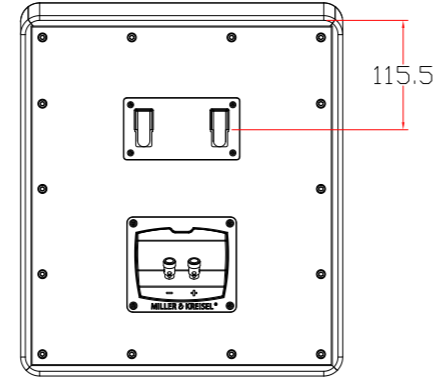
S300



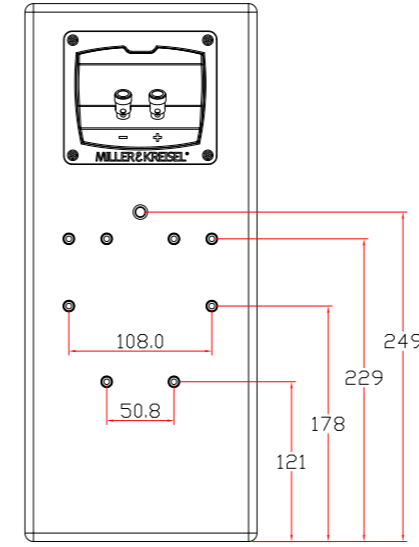
S300T



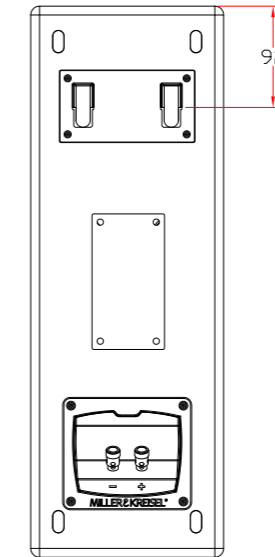
MP300



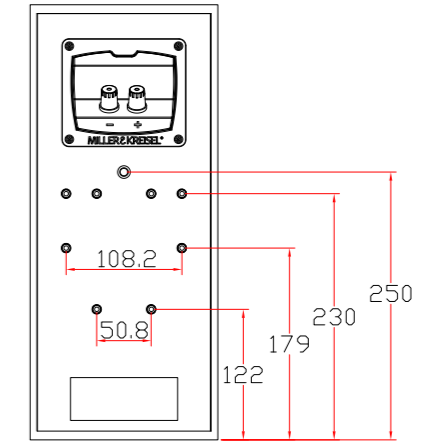
LCR950



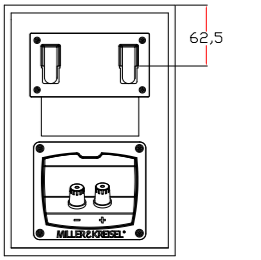
MP950



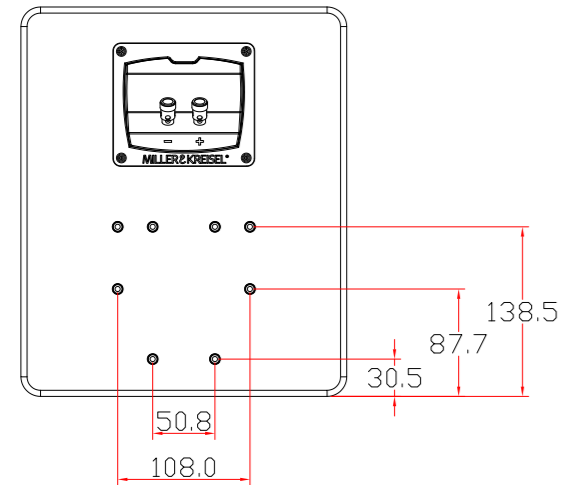
LCR750



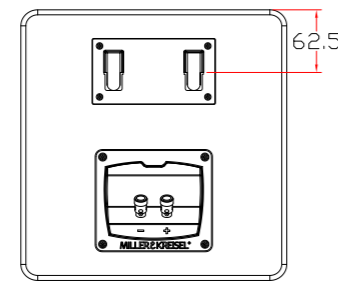
SUR55T



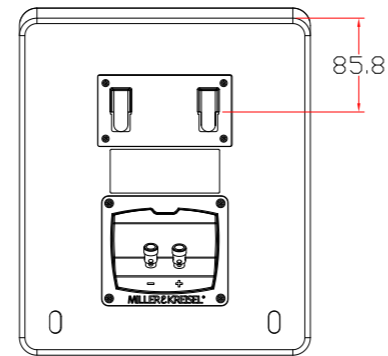
S150



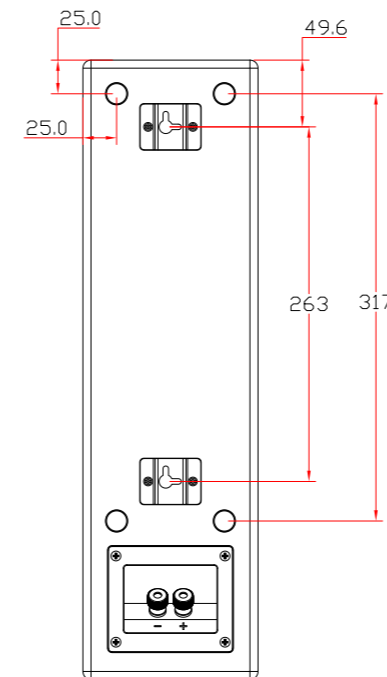
S150T



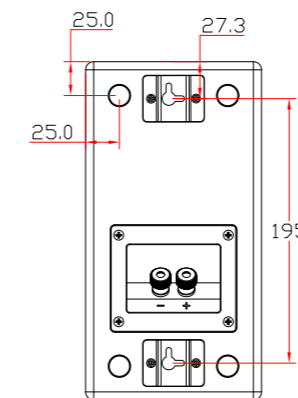
MP150



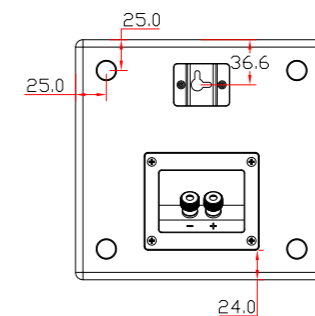
M70



M50



M40T



750C

