

Wadia Digital, LLC. 2 Chambers Street Binghamton, New York 13903-2699



Phone: 607-723-3539 Fax: 607-724-0549 www.wadia.com

Wadia

m330 media server

Owner's Manual





The lightning flash with arrowhead, within an equilateral triangle, is intended to alert the user to the presence of uninsulated “dangerous voltage” within the product’s enclosure that may be of sufficient magnitude to constitute a risk of electric shock to persons.

WARNING - TO REDUCE RISK OF FIRE OR ELECTRICAL SHOCK, DO NOT EXPOSE THIS EQUIPMENT TO RAIN OR MOISTURE.



AVIS RISQUE DE CHOC ELECTRIQUE - NE PAS OUVRIR.

NO USER-SERVICEABLE PARTS INSIDE. REFER SERVICING TO QUALIFIED PERSONNEL.

The exclamation point within an equilateral triangle is intended to alert the user to the presence of important operating and maintenance (servicing) instructions in the literature accompanying the appliance.

To prevent the risk of electric shock, do not remove cover or back. No user-serviceable parts inside.

IMPORTANT SAFETY INSTRUCTIONS!

PLEASE READ THEM BEFORE OPERATING THIS EQUIPMENT.

1. Read these instructions.
2. Keep these instructions.
3. Heed all warnings.
4. Follow all instructions.
5. Do not use this apparatus near water.
6. Clean only with a dry cloth.
7. Do not block any ventilation openings. Install in accordance with the manufacturer’s instructions.
8. Do not install near any heat sources such as radiators, heat registers, stoves, or other apparatus (including amplifiers) that produce heat.
9. Do not defeat the safety purpose of the polarized or grounding-type plug. A polarized plug has two blades with one wider than the other. A grounding type plug has two blades and a third grounding prong. The wide blade or the third prong are provided for your safety. If the pro-

vided plug does not fit into your outlet, consult an electrician for replacement of the obsolete outlet.

10. Protect the power cord from being walked on or pinched particularly at plugs, convenience receptacles, and the point where they exit from the apparatus.
11. Only use attachments/accessories specified by the manufacturer.
12. Use only with the cart, stand, tripod, bracket, or table specified by the manufacturer, or sold with the apparatus. When a cart is used, use caution when moving the cart/apparatus combination to avoid injury from tip-over.
13. Unplug this apparatus during lightning storms or when unused for long periods of time.
14. Refer all servicing to qualified service personnel. Servicing is required when the apparatus has been damaged in any way, such as power-supply cord or plug is damaged, liquid has been spilled or objects have fallen into the apparatus, the apparatus has been exposed to rain or



moisture, does not operate normally, or has been dropped.

15. Do not expose this equipment to dripping or splashing and ensure that no objects filled with liquids, such as vases, are placed on the equipment.
16. To completely disconnect this equipment from the a.c. mains, disconnect the AC / DC Adapter from the a.c. receptacle.
17. The mains plug of the power supply cord shall remain readily operable. If the AC /DC Adapter is provided with a mains power supply cord attachment, the plug of this power supply cord shall remain readily operable.
18. Do not expose batteries to excessive heat such as sunshine, fire or the like.
19. Connect mains power supply cord only to a mains socket outlet with a protective earthing connection.
20. **Warning: The Ethernet connector of this equipment must not be directly connected to a public network. Connection is to be made only by way of a modem or router approved for this purpose.**



WARNING

DO NOT INGEST BATTERY, CHEMICAL BURN HAZARD

The remote control supplied with this product contains a coin/button cell battery. If the coin/button cell battery is swallowed, it can cause severe internal burns in just 2 hours and can lead to death. Keep new and used batteries away from children. If the battery compartment does not close securely, stop using the product and keep it away from children. If you think batteries might have been swallowed or placed inside of the body, seek immediate medical attention.

CAUTION:

Danger of explosion if the battery is incorrectly installed. Only install one of the approved Lithium Batteries listed below.

Battery Installation

The Wadia m330 Remote Control uses a long life Lithium Coin Cell type battery. The m330 may be supplied with a battery depending on the country where the m330 is purchased. When purchasing a battery for use in the m330 refer to the following list:

Approved Lithium Batteries		
Brand	IEC No.	ANSI/NEDA No.
Energizer	CR2032 ¹	5004LC ¹
Panasonic	CR2032(PA/1B) ¹	5004LC ¹

¹CR Lithium Coin Cells contain Perchlorate Material - special handling may apply. For additional information go to www.dtsc.ca.gov/hazardous_waste/perchlorate/index.cfm

Access to the recessed battery compartment is located on the Rear of the Remote Control. Refer to figure 1. Perform the following steps to install the battery:

1. Press the tab towards the bottom edge of the Remote Control and lift up on the Battery Cover and temporarily place it aside. Refer to figures 2 and 3.

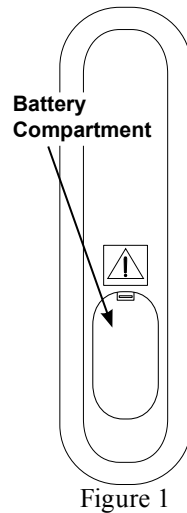


Figure 1

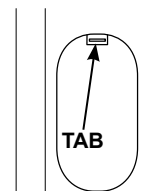


Figure 2

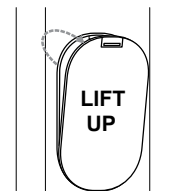


Figure 3

2. Remove the CR2032 Battery from its packaging.
3. Orient the battery so the + symbol (engraved into one side of the battery) is facing up.
4. Referring to figures 4 and 5, insert the battery into the socket. Make sure the battery is touching both contact points and is seated in the socket.

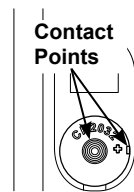


Figure 4

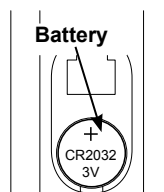


Figure 5

5. Reinstall the Battery Cover.
6. The Remote Control is now ready for operation.

Battery Removal

The life of the Lithium Battery used in the Wadia Remote Control is dependent on the actual amount of use. It is advisable to remove the battery from the Remote Control when it is not to be used for an extended period of time. This will help to extend battery life and avoid possible damage to the Remote Control. Perform the following steps to remove the battery from the Remote Control:

1. Press the tab and lift up on the Battery Cover and temporarily place it aside. Refer to figures 2 and 3.
2. Referring to figure 6, press on the bottom edge of the battery to release the battery from the molded battery socket. Then remove the battery from inside of the Remote Control.
3. Reinstall the Battery Cover.
4. Store the battery in a cool dry place for future use or dispose of the battery in accordance with the local regulations for lithium battery disposal. Batteries should never be thrown away or incinerated.

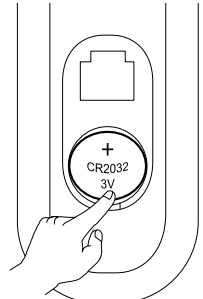


Figure 6





Thank You

Your decision to own this Wadia m330 media server ranks you at the very top among discriminating music listeners. You now have the best. The Wadia dedication to precision performance assures many years of musical enjoyment.

Please take a short time to read the information in this guide. We want you to be as familiar as possible with all the features and functions of your new Wadia.

Please Take A Moment

The serial number, purchase date and Wadia Dealer name are important to you for possible insurance claim or future service. The spaces below have been provided for you to record that information:

Serial Number: _____

Purchase Date: _____

Dealer Name: _____

Technical Assistance

If at any time you have questions about your Wadia product, contact your Wadia Dealer who is familiar with your Wadia equipment and any other brands that may be part of your system. If you or your Dealer wish additional help concerning a suspected problem, you can receive technical assistance for all Wadia products at:

Wadia Digital, Inc.
2 Chambers Street
Binghamton, New York 13903
Phone: 607-723-3512
Fax: 607-724-0549

Customer Service

If it is determined that your Wadia product is in need of repair, you can return it to your Dealer. You can also return it to the Wadia Digital Service Department. For assistance on factory repair return procedure, contact the Wadia Service Department at:

Wadia Digital, Inc.
2 Chambers Street
Binghamton, New York 13903
Phone: 607-723-3515
Fax: 607-723-1917

Table of Contents

Safety Instructions.....	2
Thank You and Please Take a Moment	3
Technical Assistance and Customer Service.....	3
Table of Contents	3
General Information	4
Connector and Cable Information	4
Introduction	5
Performance Features	5
Dimensions	6
Installation	7
Rear Panel Connections.....	8
AC/DC Adapter	9
m330 Connections	10-11
Front Panel Display and Push-button	12
How to use the Remote Control.....	13
How to Operate the Setup Mode	14-15
How to Operate the m330.....	16-20
Specifications.....	22
Packing Instructions	23

Trademark and License Information

The Wadia m330 incorporates copyright protection technology that is protected by U.S. patents and other intellectual property rights.

General Information

- For additional connection information, refer to the owner's manual(s) for any component(s) connected to the m330 Media Server.
- When the m330 Media Server is connected to an audio system, playback of music already stored on it may be listened to. To take full advantage of the many features the m330 is capable of, such as importing and storing additional music on the Media Server, requires connection to a Computer Network System.
- For best performance, the speed of the Computer Network the m330 Media Server would be connected to should be 1 Gigabit or faster.
- The m330 internal Digital to Analog Converter Circuitry is designed to decode 2-channel PCM (Pulse Code Modulation) Digital Signals. The Digital Output Signal present at the Coaxial and Optical Output Connectors is a 2-channel PCM (Pulse Code Modulation).
- The m330 is designed to be compatible with the majority of Audio Power Amplifiers. However, do to a wide range of Power Amplifier Designs, it is important the input sensitivity of the amplifier be at least 2 Volts. This will assure the playback of most music recordings are reproduced with adequate dynamic range. Check with your Wadia Dealer for additional information.
- The IR Input, with a 3.5mm mini phone jack, is configured for non-Wadia IR sensors such as a Xantech Model HL85BK Kit. Use a Connection Block, such as a Xantech Model ZC21, when two or more IR sensors need to be connected to the m330.
- When discarding the unit, comply with local rules or regulations. Batteries should never be thrown away or incinerated but disposed of in accordance with the local regulations



concerning battery disposal.

- If it should become necessary to replace the supplied AC / DC Power Adapter, order part number 32056300 from the Wadia Parts Department.
- For additional information on other Wadia Products and the downloadable m330 "Advanced Setup and Operation Guide" please visit the Wadia Web Site at www.Wadia.com.
- Mobile Device Apps, for remote control operation of the m330, were not available at the time this Owner's Manual was printed. When the Apps become available, an announcement will be made on the Wadia Web Site at www.Wadia.com/en-us/products/m330. Please note, for remote operation via mobile devices the m330 needs to be connected to a home network with wi-fi capabilities.

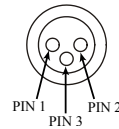


Connector and Cable Information

XLR Connectors

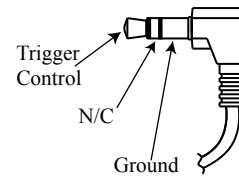
Below is the Pin configuration for the XLR Balanced Output Connectors on the m330. Refer to the diagram for connection:

- PIN 1: Shield/Ground
- PIN 2: + Output
- PIN 3: - Output



Trigger Control Connector

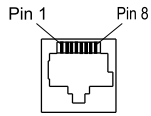
The Trigger Input Jack receives Power On/Off Signals (+12 volt/0 volt) when connected to other Wadia Components. The Trigger Output Jack sends Power On/Off Signals (+12 volt/0 volt) when connected to other Wadia Components.



A 3.5mm stereo mini phone plug is used for connection to the Trigger Control Jacks.

Ethernet RJ45 Socket

- | | |
|----------------------|---------------------|
| 1. Transmit Data (+) | 5. N/C |
| 2. Transmit Data (-) | 6. Receive Data (-) |
| 3. Receive Data (+) | 7. N/C |
| 4. N/C | 8. N/C |



Ethernet Cable - Straight Thru Connections

<u>Pin Number - Wire Color</u>	→	<u>Pin Number - Wire Color</u>
1. Orange/White	→	1. Orange/White
2. Orange	→	2. Orange
3. Green/White	→	3. Green/White
4. Blue	→	4. Blue
5. Blue/White	→	5. Blue/White
6. Green	→	6. Green
7. Brown/White	→	7. Brown/White
8. Brown	→	8. Brown





Introduction

The Wadia m330 Media Server offers the latest in audio technology, providing state of the art audio reproduction with the convenience of instant access to your music library. When the m330 is added to a Wadia System, the music from this source may be enjoyed in your home. The advanced design ensures many years of smooth trouble free operation.

Performance Features

• Built-in Networking Capability

The m330 has the ability to connect to an existing network for connecting to other devices also connected to the network, including the Internet (the Cloud).

• High Storage Capacity

The m330 incorporates a massive 1 Terabyte Hard Drive capable of storing the contents of a large Music Collection.

• Expand the Music Server System

The m330 can provide seamless access to music contained on other m330(s) from different physical locations. It can also access music stored on other devices such as Computers and NAS (Network Assisted Storage) Devices connected to the same network as the m330. This provides for unlimited music storage capacity.

• USB 3 and USB 2 Inputs

Connect external storage devices to the m330 for increased music storage capacity.

• Graphical User Interface

When connected to a TV/Monitor, the On Screen Display provides information such as Album Name, Artist Name, Song Name, Playing Time and Location for each of the selections. This allows for easy song selection from multiple rooms in your home.

• HD Video Outputs

The m330 has DVI-I and HDMI Connections for providing High Definition Video Signals of 1080p or 720p resolutions.

• Internet Streaming Services

The m330 also allows for listening to Internet Radio Stations when connected.

• Local AM/FM Radio Stations

The m330 also allows for listening to local AM/FM Stations via the Internet.

• Select your Music

Listen to the music you want by creating your own play lists and/or groups of music types.

• Digital Audio Outputs

There is a Coaxial and an Optical Digital Audio Output for connection to other components.

• Balanced and Unbalanced Analog Outputs

The m330 has both Unbalanced Outputs and Balanced Outputs which permit long cable lengths without a loss in sound quality.

• On Screen Setup

The On Screen Setup allows for customizing various settings such as audio, video, network and external control to match the components in your system.

• Trigger Control

The Trigger Input connection provides convenient Turn-On/Off of the m330 when connected to a Wadia System with Trigger Outputs.

• Remote Control

The Remote Control provides control of the m330 operating functions.

• LED Front Panel Indicator

A long life Light Emitting Diode (LED) is used to indicate the On/Off m330 status.

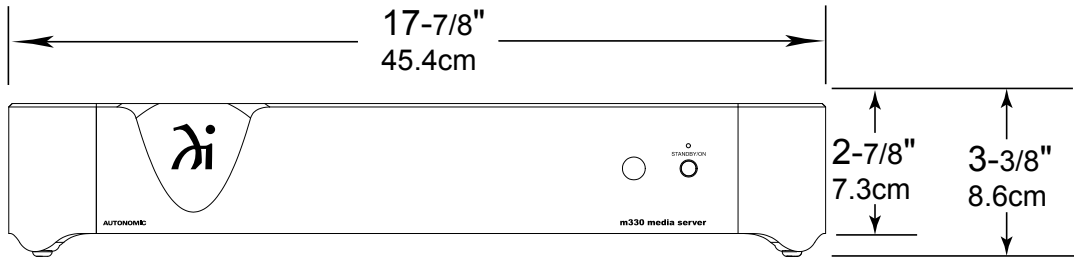
• Die Cast Aluminium Chassis

Maintains cool operating temperatures of the internal circuitry by the heat dissipating properties of the die cast aluminium chassis. The aluminium chassis with illuminated top glass panel is very durable and will retain its appearance for many years to come.

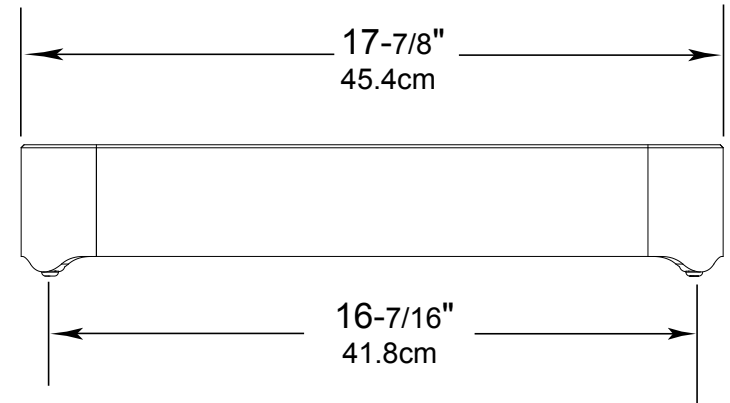
Dimensions

The following dimensions can assist in determining the best location for your m330.

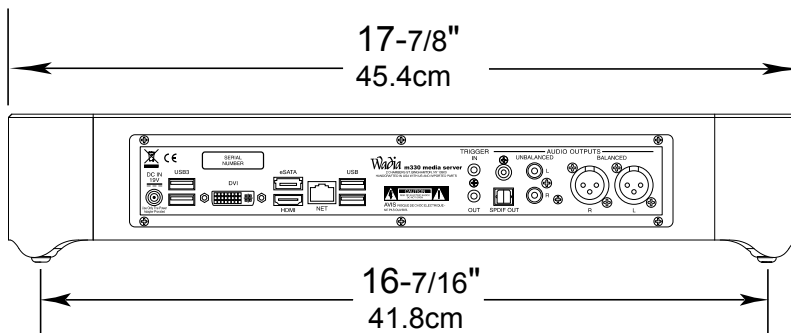
Front View of the m330



Side View of the m330



Rear View of the m330

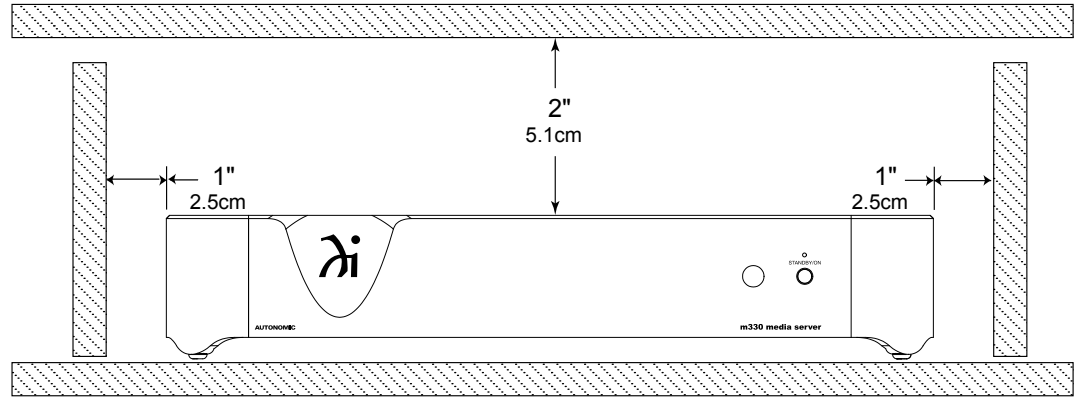


Installation

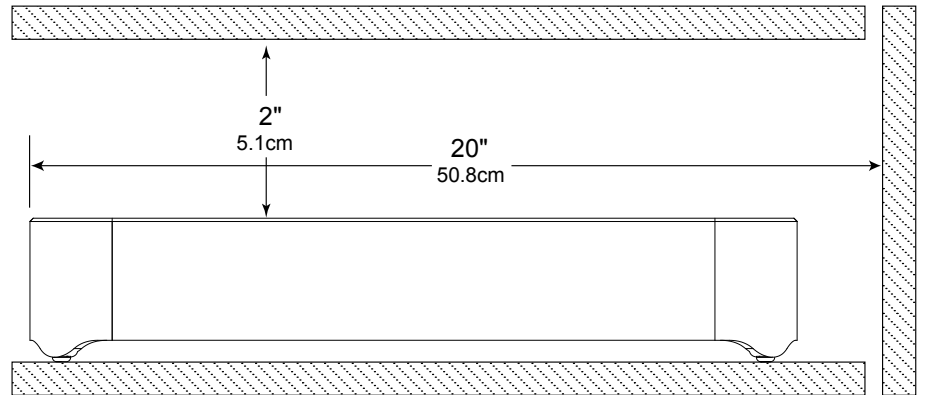
The m330 is designed to be placed upright on a table or shelf, standing on its feet. The ventilation requirements are shown.

Always provide adequate ventilation for your m330. Cool operation ensures the longest possible operating life for any electronic instrument. Do not install the m330 directly above a heat generating device, such as a Power Amplifier. Allow at least 2 inches (5.1cm) above the top, 5/8 inches (1.6cm) below the bottom and 1 inch (2.5cm) on each side of the m330, so that airflow is not obstructed. Allow 20 inches (50.8cm) of depth for airflow and cable connections.

m330 Front View



m330 Side View



Rear Panel and AC/DC Adapter Connections

Connect the supplied AC/DC Power Adapter (Refer to the illustrated of the Adapter below)

eSATA (External Serial ATA) for connection of an external storage device capable of transferring data at very high speed

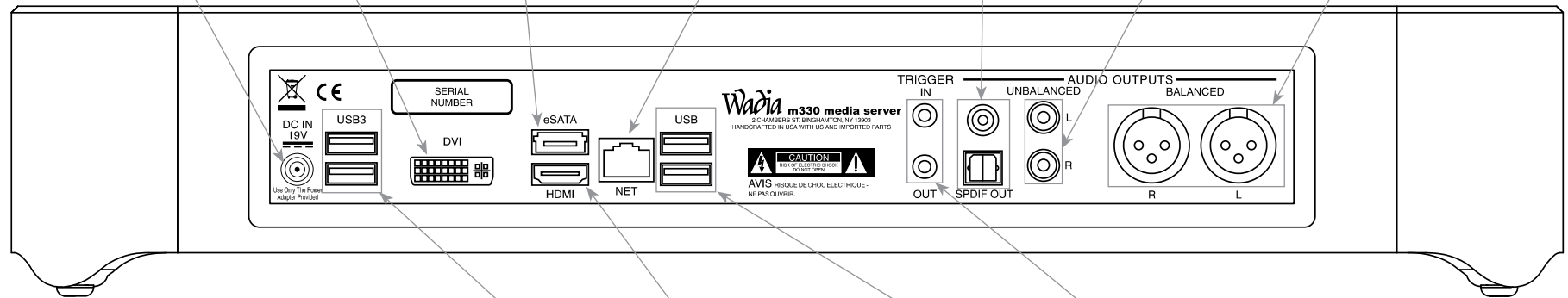
COAXIAL and OPTICAL AUDIO OUTPUTS send a Digital Audio Signal to a Preamplifier or an A/V Control Center with a D/A Converter or a decoder

BALANCED AUDIO OUTPUTS supply analog audio signals to connect to Balanced Inputs of other components

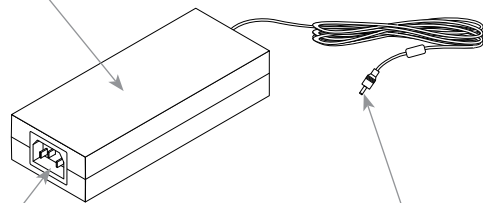
DVI (Digital Video Interface) Output for connecting to a HDTV or Monitor with a DVI Input Connector with a video resolution 720p or 1080p

Network Connector for connecting the m330 to a Broadband Ethernet Network

UNBALANCED AUDIO OUTPUTS supply analog audio signals to Unbalanced Inputs of other components



AC/DC Power Adapter supplied with the m330 Media Server



Connect to a live AC outlet (always On) using the supplied AC Power Cord. Refer to information on the power supply to determine the correct voltage.

USB3 (version 3) for connection of an external storage device capable of transferring data at high speed

USB (version 2) for connection of an external storage device capable of transferring data

Connect to the DC IN connector on the Rear Panel of the m330 Media Server

HDMI (High-Definition Multimedia Interface) Output (Audio and Video Digital Signals) for connecting to a HDTV or Monitor with a HDMI Input with a video resolution 720p or 1080p

TRIGGER IN receives turn-on signals from a Wadia component and TRIGGER OUT sends turn-on signals on to another Wadia Component



m330 Connections

The m330 has the ability to be remotely switched On/Off from a Wadia Digital Decoder, Preamplifier or A/V Control Center via the Trigger Control connection. The connection instructions below together with the m330 Connection Diagram on the next page is an example of a typical audio or audio/video system. Your system may vary from this, however the actual components would be connected in a similar manner. For additional information refer to “Connector and Cable Information” on page 4.

Trigger Control Connections:

1. Connect a Control Cable from the Digital Decoder, Preamplifier or A/V Control Center Trigger Out Jack to the TRIGGER IN Jack on the Wadia m330 Media Server.
2. Optionally, connect a Control Cable from the m330 Media Server TRIGGER OUT Jack to another component.
3. Connect any additional components in a similar manner, as outlined in steps 1 thru 3.

Digital Audio Connections:

4. Connect a Cable from the Wadia m330 Media Server AUDIO OUTPUT SPDIF Optical output to the Digital Optical 1 Input on the Digital Decoder, Preamplifier or A/V Control Center.

Note: A Coaxial connection may be used instead of the Optical Connection.

Digital Video Connections:

5. Connect a HDMI Cable between the HDMI Socket on the Rear Panel of the m330 Media Server to a HDMI Input Socket on the HD Monitor/TV.

Note: If the HD/Monitor/TV has a DVI Input instead of a HDMI input, then connect a DVI cable between the m330 and the HD/Monitor/TV.

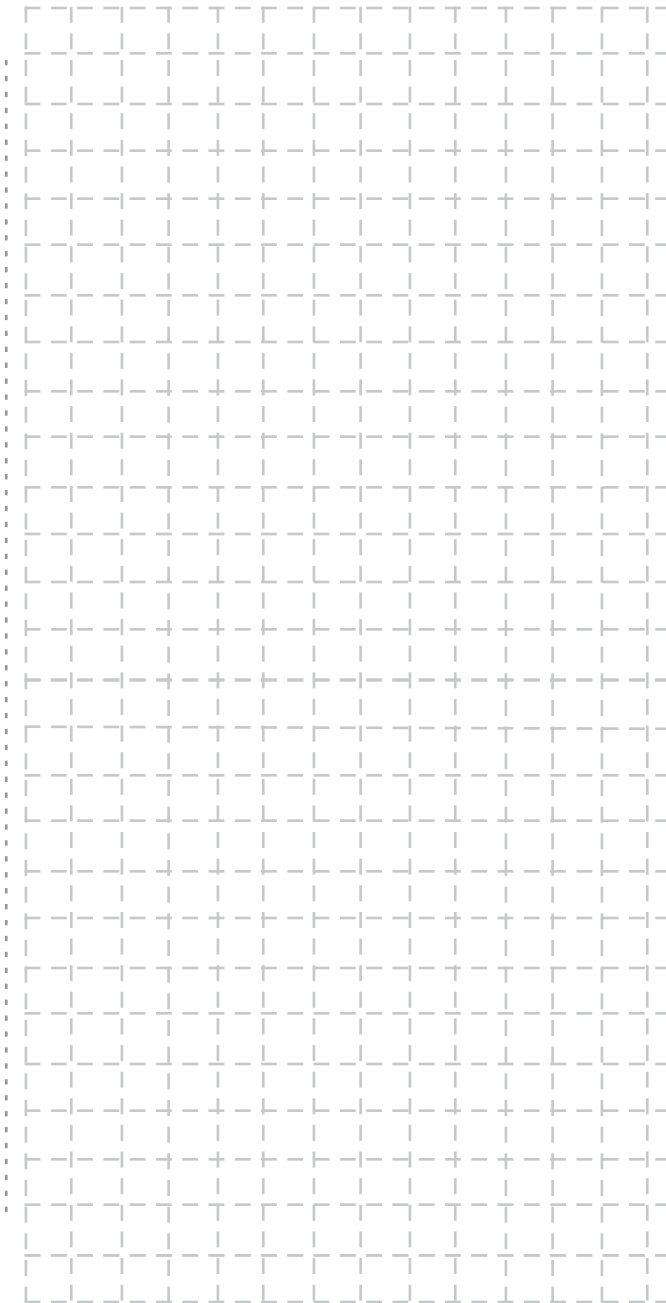
Network Connections:

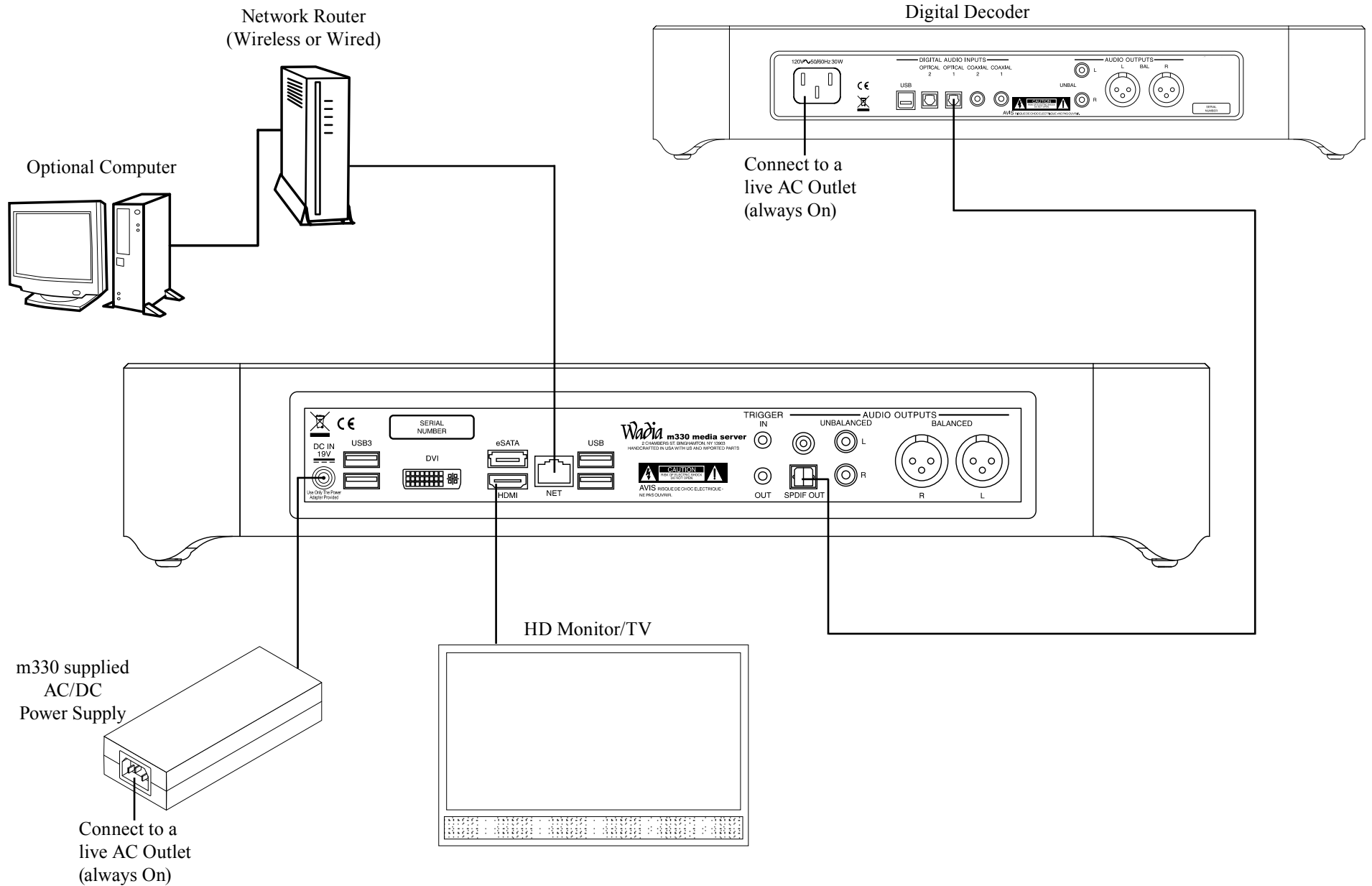
6. Using a CAT 5/6 Ethernet Cable, connect the cable from the Router to the NET (Network) connector on the Rear Panel of the m330.
7. Optionally, Connect another CAT 5/6 Ethernet Cable from the Computer (Network Connector) to the Router.

Note: For additional information on Networks and Network Connections refer to the documentation supplied with the Router and Computer.

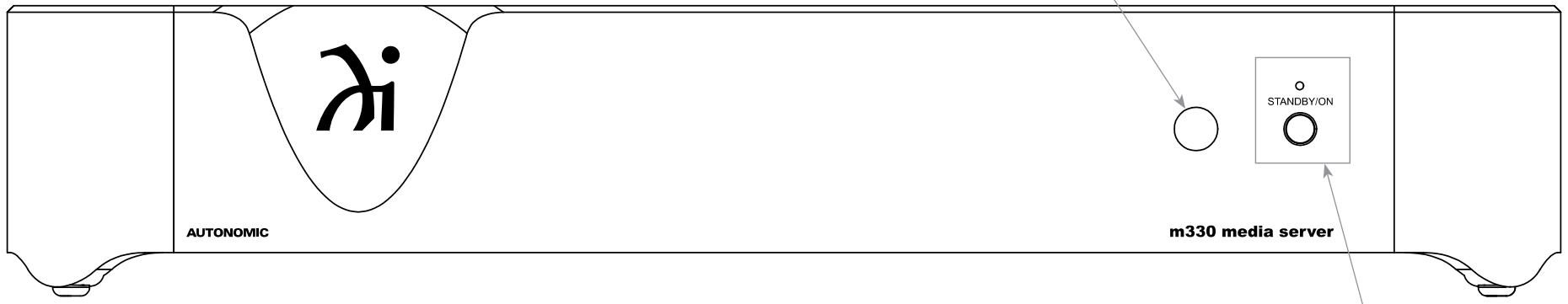
AC Power Cords Connections:

8. Locate the plug at the end of the cable coming out of the supplied AC/DC Power Supply and connect it to the DC Input connector on the Rear Panel of the m330 Media Server.
9. Connect the supplied AC Power Cord between the socket on the AC/DC Power Supply and a live AC outlet (that is always On).





IR Sensor receives commands from a Remote Control



m330 media server

STANDBY/ON Push-button with indicator switches the m330 ON or OFF (Standby) and resets the microprocessors

How to use the Remote Control

The Remote Control is capable of performing most Operating Functions for the m330 Media Server.

Note: Refer to the "How to Operate" Section of this manual for additional information using this Remote Control.

Dual Function Push-buttons

The four push-buttons in the ellipse dashed area of the Remote Control, are dual function. When music is playing, the (+) Push-button increases the volume level¹ and the (-) Push-button decreases the volume level¹. Push the ►► Push-button for the next selection or push the ◀◀ Push-button for the previous selection.

During the time a m330 Menu is being accessed, the push-buttons at the front/top of the Remote Control provide the ability to navigate the menus and select the desired choice or function. The (+) Push-button is used to move the cursor Up through the menu. Likewise, the (-) Push-button is used to move Down. The ◀◀ Push-button is used to move to the left, the ►► Push-button is used to move to the right and the ►|| is used to select the highlighted choice.

Starts playback, pauses playback and used to select a menu choice or menu item

Directional Down Push-button and used to decrease the volume level

Directional Left Push-button and used to select the previous selection

Reserved for future use

Selects a Menu

Current selection is liked

Directional Push-buttons

Momentarily press to Power the m330 ON or OFF

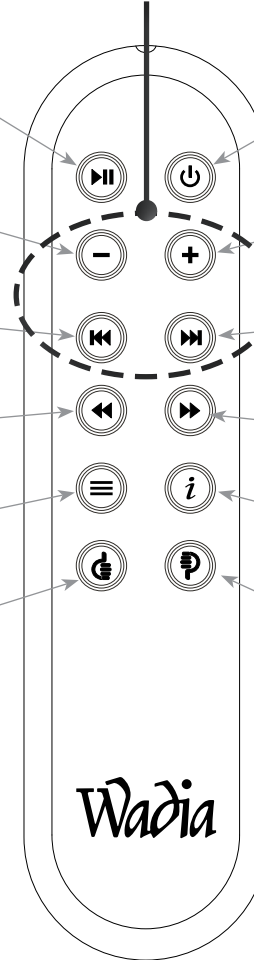
Directional Up Push-button and used to increase the volume level

Directional Right Push-button and used to select the next selection

Moves forward in time through a selection

Selects available information

Current selection is disliked



¹Adjusting the volume level using the Remote Control first requires a change to the default setting located in the Setup Mode, refer to pages 16 and 17 for additional information.

Server SettingsServer Identification:

Name
Description

Configuration Security:

User
Password
Recovery email address

Remote Control Security:

User
Password
Recovery email address

Date and Time:

Time Zone
NTP Server

Wired Ethernet:

Connection

Storage:

82.47% available of 931.51 GB total

Logging:

Your email
Comments

Utilities:

Restart your server

Display SettingsScreen Resolution:

720p - 1280x720
1080p - 1920x1080

On screen display:

Source

Screen Saver:

Enabled
Timeout (seconds)

Slide Show:

Effect in
Effect out

Display Order:Picture duration:Scale:Show Now Playing:Show song overlay:**Source Settings**Server Audio Outputs:

Name
Form factor
Gain
Format

Control System:AirPlay:

Password

ContentsAlbum Art:Media Synchronization:

Wadia Media Sync for Windows
(Install Software Application on PC Computer)
Wadia Media Sync for MAC OS
(Install Software Application on Apple Computer)
Computers

Storage:

Volumes (External USB or E-Sata Drives)
Name (Built in storage total size and free)

Network Content:

NAS Synchronization

Network Content:

NAS Synchronization

Online Credentials:

Amazon Cloud Drive
iTunes
MP3tunes
Pandora Internet Radio
Rhapsody
SiriusXM Internet Radio

Slacker Radio

Spotify

TuneIn Radio

Additional TuneIn Radio Stations

Source SettingsMedia Schedule:

Name, Status, Triggers, Next Start Time, Last
Start Time and Action

FirmwareFirmware Update:

You are running firmware _._._._._ Release

Other software:

Media Server Client

License:

Media Server Client

Support:

Remote Support

How to Operate the m330

Power On and Off

Your Wadia m330 has been factory configured for default operating settings that will allow immediate enjoyment of superb audio without the need for further adjustments. Refer to the m330 Remote Control Illustration and Operation on page 13, while performing an introduction into operating the Setup Mode, follow the steps below.

1. Press the STANDBY/ON Push-button on the Front Panel or press the (Power) Push-button on the Remote Control to switch On the m330. The LED above the STANDBY/ON Push-button will illuminate. The m330 will go through a startup initialization which might take upwards of several minutes with the m330 indicating the progress on the connected HD Monitor/TV. Refer to figures 20 thru 24.

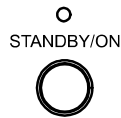


Figure 20



Figure 21

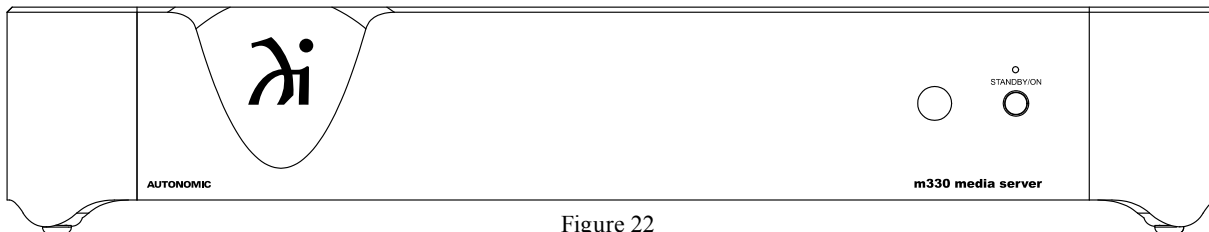


Figure 22

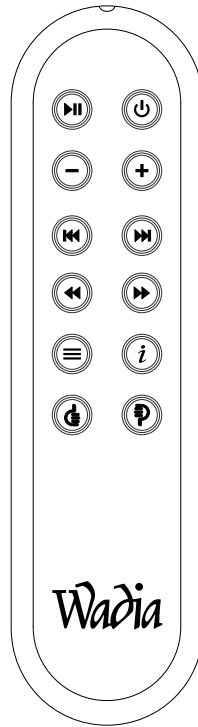


Figure 23

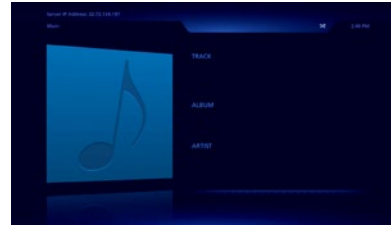


Figure 24

2. To switch Off the m330, press the STANDBY/ON Push-button on the Front Panel or press the (Power) Push-button on the Remote Control. Refer to figures 22 and 23.

How to Playback Music

Music was imported into the m330 Media Server, at the factory, for your enjoyment. To start listening to the music, perform the following:

1. Press the (MENU) Push-button on the Remote Control to select the operation Menu. Then using the - (Down) Push-button on the Remote Control, select the Music Menu followed by pressing the (ENTER) Push-button. Refer to figures 23, 30 and 31.

2. Press the (ENTER) Push-button on the Remote Control to view the available Albums. Refer to figure 32.

3. Use the + (Up) or - (Down) Push-button on the Remote Control to select the desired album. In this instance, select "Various Artists - Beethoven: Symphonies. Then press the (ENTER) Push-button to select the album. Refer to figure 33.

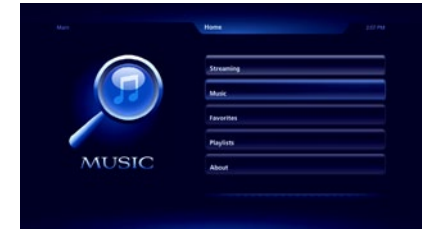


Figure 30



Figure 31



Figure 32

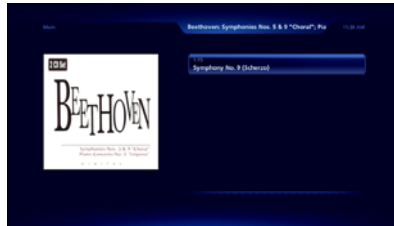


Figure 33

4. Referring to figure 34, the track for the album just selected will appear. In this instance there is one track “Symphony No. 9 (Scherzo). Refer to figure 34. Press the ►|| (ENTER) Push-button on the Remote Control to start playback of the first track. Refer to figure 35.

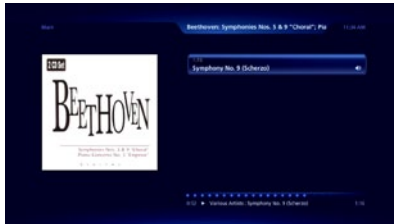


Figure 34



Figure 35

The TV/Monitor will start to display various scenes while the music is playing. Refer to figures 36 and 37.

5. To pause playback of the music, press the ►|| (ENTER) Push-button on the Remote Control. To resume playback, just press the same Push-button

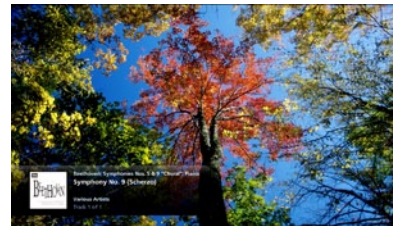


Figure 36



Figure 37

again. To see the status of the track currently playing, press the ≡ MENU Push-button and refer to information located at the bottom of the screen. Refer to figure 34 and 35.

How to Stream Music

The m330 Media Server provides access to virtually unlimited music by streaming music from the Internet. To start streaming music from the Internet, perform the following:

1. Press the ≡ (MENU) Push-button on the Remote Control to select the Home Menu. Refer to figure 40.



Figure 40

2. Press the ►|| (ENTER) Push-button on the Remote Control to select the Streaming Menu. Refer to figure 41.



Figure 41

There are many pre-setup Internet Radio Sites to choose from, including Pandora, SiriusXM, Slacker, etc. Some Internet Radio Sites require registering and in some instances a subscription fee in order to enjoy their music services. Using the m330 Setup Mode on pages 16 and 17, refer to the Contents tab and then the Online Credentials for additional information. In the following example, TuneIn Radio will be selected to stream music from local FM/AM radio stations.

3. Using the + (Up) or - (Down) Push-button on the Remote Control, select TuneIn Radio from the menu. Refer to figure 42.



Figure 42

4. Referring to figure 43 (on the next page), press the ►|| (ENTER) Push-button to select Local Radio.



How to Operate the m330, con't



Figure 43

- There are now menu choices AM, FM or Internet only radio stations. Referring to figure 44, use the + (Up) or - (Down) Push-button to select FM, followed by pressing the the ►|| (ENTER) Push-button. Refer to figure 45.



Figure 44



Figure 45

- Following the same procedure as in step 5, select the second choice, “89.3 WSKG-FM (classical)”. The sound from the station will start, figures 46 and 47 will appear in sequence on the TV/Monitor.



Figure 46



Figure 47

How to Operate the m330 via a Computer

After the m330 has powered up and completed initialization, note the IP Address assigned to the Media Server in the upper left corner. Refer to figure 60.



Figure 60

- Using a computer connected to the same network as the m330, launch an Internet Web Browser Application (such as Windows Internet Explorer). Type in on the “URL-Address line” the following:

The IP Address Number
↓
HTTP:// /MediaServer

- A connection progress indicator will appear in the Web Browser. Refer to figure 61.



Figure 61

- When the connecting process is completed, the Media Server interface will appear in the Web Browser. Refer to figure 62.



Figure 62

The operation of the m330 using the Web Browser is similar to using the m330 connected a monitor/TV along with the supplied Remote Control. The major difference is the computer pointing device (mouse) is used for selection and navigating.

On the left side is a column of buttons for selecting music sources (Streaming, Local Music, Favorites, Playlists and Queue) along with Back and Next control commands. Along the bottom are buttons for standard control functions such as Previous, Play, Pause, Next, Shuffle and Replay.

How to Playback Music

Wadia Music was imported into the m330, at the factory, for your enjoyment. To start listening to the music, perform the following:

1. Click on the Local Music button. Refer to figure 62.
2. Click on “Albums”, then select “Beethoven”. Refer to figure 63.



Figure 63

3. Click on the track listing of “1 Symphony No. 9 (Scherzo) 1:15” and click on “Play now”. Refer to figures 63 and 64.



Figure 64

4. Return to the previous menu selection of “Play now, Play next, Replace queue, Add to queue or Add to playlist” by clicking on the Track (Name) currently playing.

How to Stream Music

The m330 Media Server provides access to virtually unlimited music by streaming music from the Internet.

To start streaming music from the Internet, perform the following:

1. Click on the Streaming button and the Radio sources menu will appear. Refer to figure 65.



Figure 65

In the following example TuneIn Radio will be selected to stream music from local FM/AM radio stations.

2. Select and click on TuneIn Radio. Click on Local Radio followed by selecting FM. Refer to figures 66 and 67.



Figure 66



Figure 67

3. Referring to figure 68, select the second choice, “89.3 WSKG-FM (classical)”. The sound from the station will start and figure 69 will appear.



Figure 68



Figure 69

How to Operate the m330, con't

How to Import Music from External Drives

Before proceeding with the steps below, switch power Off to the m330. Then connect the External Drive (HDD or SDD) to an USB or eSata connector on the Rear Panel of the m330. After the m330 has powered up and completed initialization, note the IP Address in the upper left corner.

- Using a computer connected to the same network as the m330, launch an Internet Web Browser Application (such as Windows Internet Explorer). Type in on the "URL-Address line" the following:

The IP Address Number

HTTP://_____/config

- Then press enter on the computer keyboard. Refer to figure 80 (partial view).



Figure 80 (partial view)

- Click on the "Content" Tab (located along the top), then scroll down to "Storage". Refer to figure 81.



Figure 81

Referring to figure 82, the "Volumes" window indicates both the m330 internal storage drive (931.51GB) and an external connected drive (7.35GB).



Figure 82

- Click on the word "Import" and a window will appear with additional information about the importing process. Refer to figure 83.

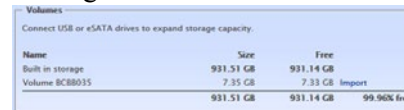


Figure 83

Note: The import process will copy all of the music files it finds on the externally connected storage drive. Depending on the amount of music files on the drive, the copying process could take some time.

- Start the import process by clicking on the button "OK, Import the volume". Refer to figures 84 and 85.

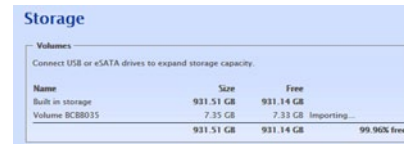


Figure 84

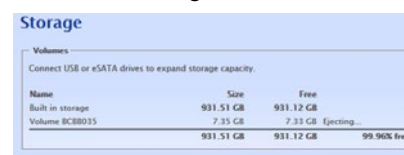


Figure 85

- To listen to the music just imported (when the importing process is complete) enter into the "URL-Address line" below:

The IP Address Number

HTTP://_____/MediaServer

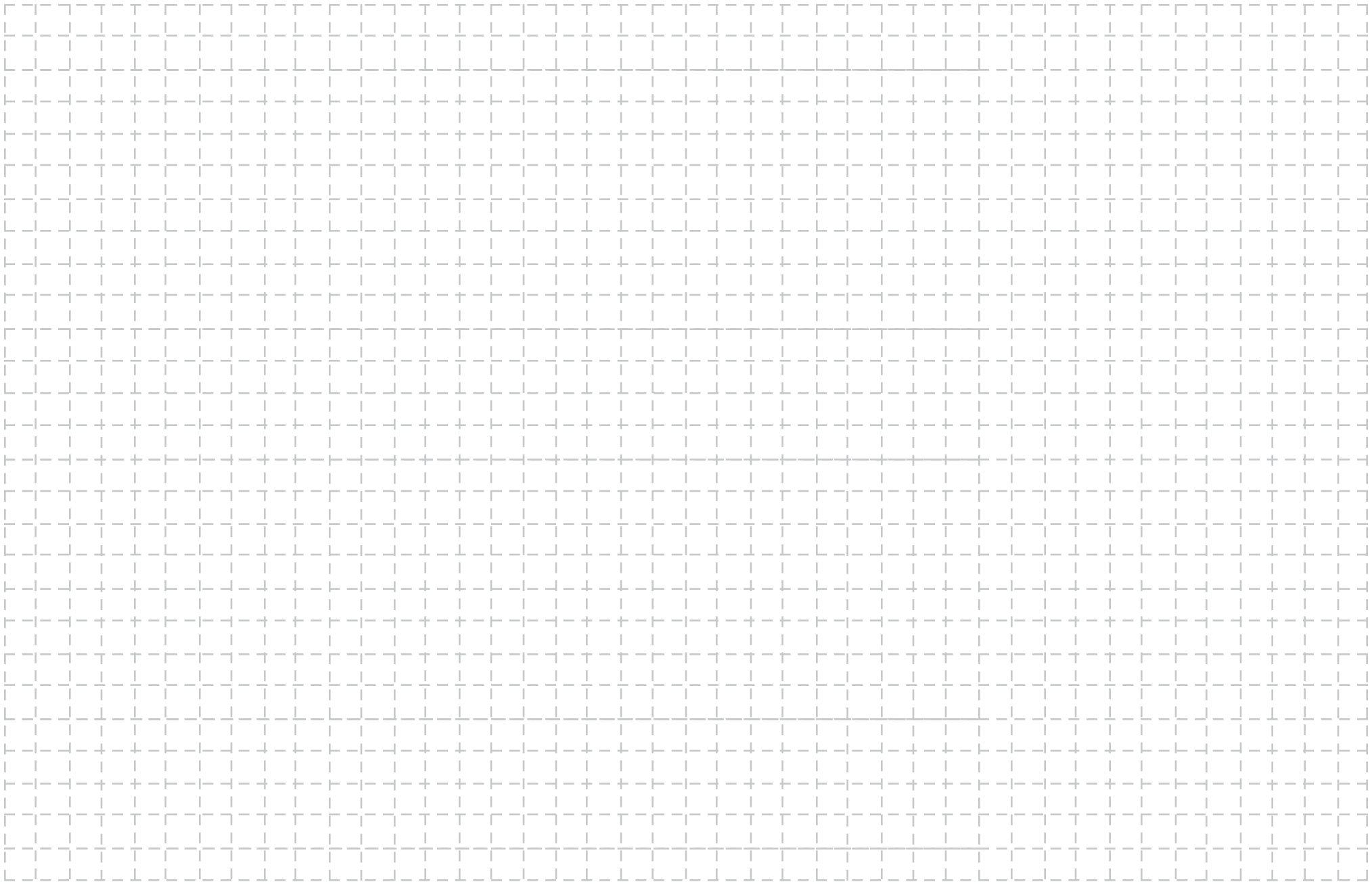
- Then select local music, click on albums, selecting the desired music, followed by selecting either "Play all" or the desired track. Refer to figures 86 and 87.



Figure 86



Figure 87





Audio Specifications

Fixed Output Level

2.0Vrms Unbalanced
4.0Vrms Balanced

Output Impedance

600 ohms Unbalanced and Balanced

Signal to Noise Ratio

102dB (IHF A-Weighted)

Dynamic Range

96dB

Harmonic Distortion

0.005%

Channel Separation

95dB (1,000Hz)

Digital Audio Specifications

Digital Output

Coaxial: 0.5V p-p/75 ohms
Optical: - 15dbm to -21dbm (TOS Link)

Digital Output Format

SPDIF (PCM¹)

Digital Output Sample Rate

Up to 24-Bit/192kHz

¹ PCM (Pulse Code Modulation) Digital Signal Type

Video Specifications

Signal System

Digital Video

Signal Format

HDMI and DVI

Screen Resolution

720p or 1080p

Trigger Control Specifications

Power Control Input

5-15VDC, less than 1mA

Power Control Output

12VDC, 25mA maximum total

General Specifications

Power Requirements

Field AC Voltage conversion of the m330 is not possible. The m330 is factory configured for the following AC Voltages:

100-240 Volts, 50/60Hz at 2.0 Amps
Standby: Less than 0.5 watt

Overall Dimensions

Width is 17-7/8 inches (45.4cm)
Height is 3-3/8 inches (8.6cm)
Depth is 20 inches (50.8cm) including the Front Panel and connection cables.

Weight

25 pounds (11.3Kg) net (includes the external Power Supply), 29.5 pounds (13.3Kg) in shipping carton

Shipping Carton Dimensions

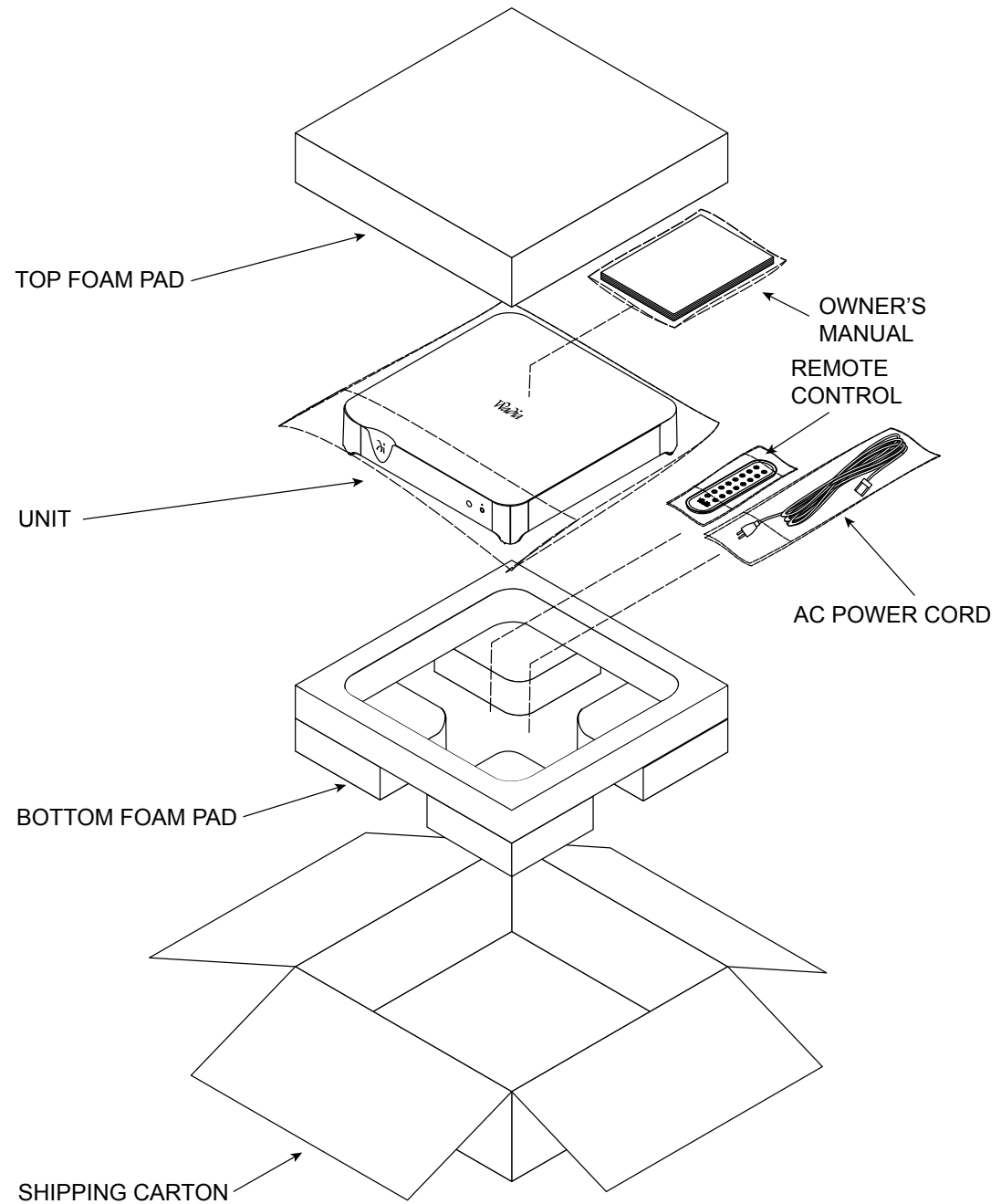
Width is 22-1/2 inches (57.2cm)
Height is 8-1/8 inches (20.6cm)
Depth is 22-1/2 inches (57.2cm)

Packing Instructions

In the event it is necessary to repack the equipment for shipment, the equipment must be packed exactly as shown below. It is very important to ensure the proper equipment location between the bottom and top foam pads. Failure to do this will result in shipping damage.

Use the original shipping carton and interior parts only if they are all in good serviceable condition. If a shipping carton or any of the interior part(s) are needed, please call or write Customer Service Department of Wadia. Refer to page 4. Please see the Part List for the correct part numbers.

Quantity	Part Number	Description
1	034555	Shipping carton only
1	034556	Top foam pad
1	034564	Bottom foam pad





Wadia Digital, LLC
2 Chambers Street
Binghamton, NY 13903
www.wadia.com

The continuous improvement of its products is the policy of Wadia Digital who reserve the right to improve design without notice. Printed in the U.S.A.