

TEAC

UD-503

USB D/A Converter

ENGLISH

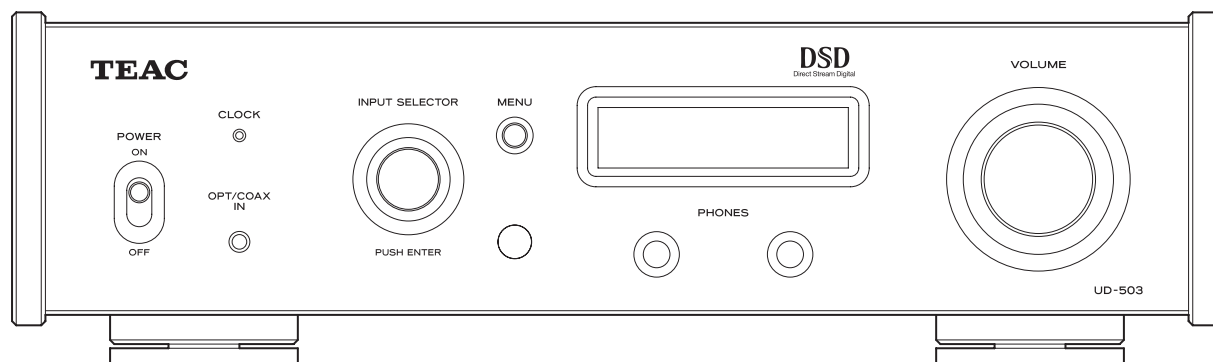
FRANÇAIS

ESPAÑOL

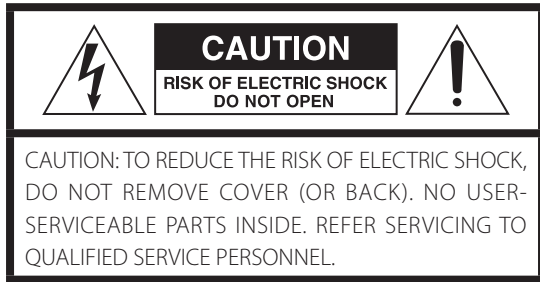
OWNER'S MANUAL

MODE D'EMPLOI

MANUAL DEL USUARIO



IMPORTANT SAFETY INSTRUCTIONS



The lightning flash with arrowhead symbol, within an equilateral triangle, is intended to alert the user to the presence of uninsulated "dangerous voltage" within the product's enclosure that may be of sufficient magnitude to constitute a risk of electric shock to persons.



The exclamation point within an equilateral triangle is intended to alert the user to the presence of important operating and maintenance (servicing) instructions in the literature accompanying the appliance.

WARNING: TO PREVENT FIRE OR SHOCK HAZARD, DO NOT EXPOSE THIS APPLIANCE TO RAIN OR MOISTURE.

CAUTION

- DO NOT REMOVE THE EXTERNAL CASES OR CABINETS TO EXPOSE THE ELECTRONICS. NO USER SERVICEABLE PARTS ARE INSIDE.
- IF YOU ARE EXPERIENCING PROBLEMS WITH THIS PRODUCT, CONTACT THE STORE WHERE YOU PURCHASED THE UNIT FOR A SERVICE REFERRAL. DO NOT USE THE PRODUCT UNTIL IT HAS BEEN REPAIRED.
- USE OF CONTROLS OR ADJUSTMENTS OR PERFORMANCE OF PROCEDURES OTHER THAN THOSE SPECIFIED HEREIN MAY RESULT IN HAZARDOUS RADIATION EXPOSURE.

- 1) Read these instructions.
 - 2) Keep these instructions.
 - 3) Heed all warnings.
 - 4) Follow all instructions.
 - 5) Do not use this apparatus near water.
 - 6) Clean only with dry cloth.
 - 7) Do not block any ventilation openings. Install in accordance with the manufacturer's instructions.
 - 8) Do not install near any heat sources such as radiators, heat registers, stoves, or other apparatus (including amplifiers) that produce heat.
 - 9) Do not defeat the safety purpose of the polarized or grounding-type plug. A polarized plug has two blades with one wider than the other. A grounding type plug has two blades and a third grounding prong. The wide blade or the third prong are provided for your safety. If the provided plug does not fit into your outlet, consult an electrician for replacement of the obsolete outlet.
 - 10) Protect the power cord from being walked on or pinched particularly at plugs, convenience receptacles, and the point where they exit from the apparatus.
 - 11) Only use attachments/accessories specified by the manufacturer.
 - 12) Use only with the cart, stand, tripod, bracket, or table specified by the manufacturer, or sold with the apparatus. When a cart is used, use caution when moving the cart/apparatus combination to avoid injury from tip-over.
 - 13) Unplug this apparatus during lightning storms or when unused for long periods of time.
 - 14) Refer all servicing to qualified service personnel. Servicing is required when the apparatus has been damaged in any way, such as power-supply cord or plug is damaged, liquid has been spilled or objects have fallen into the apparatus, the apparatus has been exposed to rain or moisture, does not operate normally, or has been dropped.
- The apparatus draws nominal non-operating power from the AC outlet with its POWER or STANDBY/ON switch not in the ON position.
 - The mains plug is used as the disconnect device; the disconnect device shall remain readily operable.
 - Caution should be taken when using earphones or headphones with the product because excessive sound pressure (volume) from earphones or headphones can cause hearing loss.



CAUTION

- Do not expose this apparatus to drips or splashes.
- Do not place any objects filled with liquids, such as vases, on the apparatus.
- Do not install this apparatus in a confined space such as a book case or similar unit.
- The apparatus should be located close enough to the AC outlet so that you can easily reach the power cord plug at any time.
- If the product uses batteries (including a battery pack or installed batteries), they should not be exposed to sunshine, fire or excessive heat.
- CAUTION for products that use replaceable lithium batteries: there is danger of explosion if a battery is replaced with an incorrect type of battery. Replace only with the same or equivalent type.

WARNING

Products with Class I construction are equipped with a power supply cord that has a grounding plug. The cord of such a product must be plugged into an AC outlet that has a protective grounding connection.

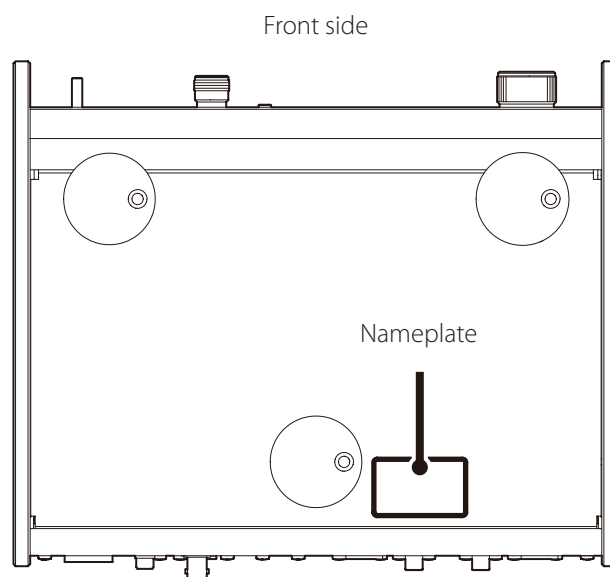
IN USA/CANADA, USE ONLY ON 120 V SUPPLY.

⚠ Precautions concerning batteries

Misuse of batteries could cause them to rupture or leak leading to fire, injury or the staining of nearby things. Please read and observe the following precautions carefully.

- Be sure to insert the batteries with correct positive (⊕) and negative (⊖) orientations.
- Use batteries of the same type. Never use different types of batteries together.
- If the remote control is not used for a long time (more than a month), remove the batteries to prevent them from leaking.
- If the batteries leak, wipe away the leakage inside the battery compartment and replace the batteries with new ones.
- Do not use batteries of types other than those specified. Do not mix new batteries with old ones or use different types of batteries together.
- Do not heat or disassemble batteries. Never throw batteries into fire or water.
- Do not carry or store batteries with other metallic objects. The batteries could short circuit, leak or explode.
- Never recharge a battery unless it is confirmed to be a rechargeable type.

The nameplate is located on the bottom of the unit as shown below.



“DSD” is a registered trademark.

Windows is either registered trademark or trademark of Microsoft Corporation in the United States and/or other countries.

Mac, Mac OS and OS X are trademarks of Apple Inc., registered in the U.S. and other countries.

Other company names and product names in this document are the trademarks or registered trademarks of their respective owners.

IMPORTANT SAFETY INSTRUCTIONS (continued)

Model for USA

This equipment has been tested and found to comply with the limits for a Class B digital device, pursuant to Part 15 of the FCC Rules. These limits are designed to provide reasonable protection against harmful interference in a residential installation. This equipment generates, uses, and can radiate radio frequency energy and, if not installed and used in accordance with the instructions, may cause harmful interference to radio communications. However, there is no guarantee that interference will not occur in a particular installation. If this equipment does cause harmful interference to radio or television reception, which can be determined by turning the equipment off and on, the user is encouraged to try to correct the interference by one or more of the following measures:

- Reorient or relocate the equipment and/or the receiving antenna.
- Increase the separation between the equipment and receiver.
- Connect the equipment into an outlet on a circuit different from that to which the receiver is connected.
- Consult the dealer or an experienced radio/TV technician for help.

Declaration of Conformity

Responsible party:
TEAC AMERICA, INC.

Address: 1834 Gage Road, Montebello, California, U.S.A.

Telephone number : 1-323-726-0303

This device complies with Part.15 of FCC Rules.

Operation is subject to the following two conditions:

- 1) This device may not cause interference
- 2) This device must accept any interference, including interference that may cause undesired operation of the device.



Model for Canada

Industry Canada's Compliance Statement:

This Class B digital apparatus complies with Canadian ICES-003.

Model for Europe

DECLARATION OF CONFORMITY

We, TEAC AUDIO EUROPE, Liegnitzer Straße 6, 82194 Gröbenzell, Germany declare in own responsibility, the TEAC product described in this manual is in compliance with the corresponding technical standards.



CAUTION

Changes or modifications not expressly approved by the party responsible for compliance could void the user's authority to operate the equipment.

For European Customers

Disposal of electrical and electronic equipment and batteries and/or accumulators

- a) All electrical/electronic equipment and waste batteries/accumulators should be disposed of separately from the municipal waste stream via collection facilities designated by the government or local authorities.
- b) By disposing of electrical/electronic equipment and waste batteries/accumulators correctly, you will help save valuable resources and prevent any potential negative effects on human health and the environment.
- c) Improper disposal of waste electrical/electronic equipment and batteries/accumulators can have serious effects on the environment and human health because of the presence of hazardous substances in the equipment.
- d) The Waste Electrical and Electronic Equipment (WEEE) symbols, which show wheeled bins that have been crossed out, indicate that electrical/electronic equipment and batteries/accumulators must be collected and disposed of separately from household waste. If a battery or accumulator contains more than the specified values of lead (Pb), mercury (Hg), and/or cadmium (Cd) as defined in the Battery Directive (2006/66/EC), then the chemical symbols for those elements will be indicated beneath the WEEE symbol.
- e) Return and collection systems are available to end users. For more detailed information about the disposal of old electrical/electronic equipment and waste batteries/accumulators, please contact your city office, waste disposal service or the shop where you purchased the equipment.



Pb, Hg, Cd

Contents

Thank you for choosing TEAC.

Read this manual carefully to get the best performance from this unit. After reading it, keep it in a safe place with the warranty card for future reference.

| | |
|---|----|
| IMPORTANT SAFETY INSTRUCTIONS | 2 |
| Included items | 5 |
| Before use | 6 |
| Maintenance | 7 |
| Using the TEAC Global Site | 7 |
| Product registration | 7 |
| Using the remote control | 7 |
| Connections (rear panel) | 8 |
| Connections (front panel) | 10 |
| Connecting headphones | 11 |
| Names and functions of parts (main unit) | 12 |
| Names and functions of parts (remote control) | 13 |
| Display | 14 |
| Upconversion function | 15 |
| Basic operation | 16 |
| Settings | 17 |
| Playing back music on a computer | 20 |
| Restoring default settings | 21 |
| Troubleshooting | 22 |
| Specifications | 23 |

Included items

Check to be sure the box contains all the included items shown below.

Please contact the store where you purchased this unit if any of these items are missing or have been damaged during transportation.

Power cord × 1

RCA conversion (RCA to mini plug) cable × 1

Remote control (RC-1319) × 1

Batteries for remote control (AAA) × 2

Owner's manual (this document) × 1

- Keep this manual in a safe place for future reference.

Warranty card × 1 (for users in the USA and Canada only)

- Users in Europe and other countries and regions should see the back of this document for information about the warranty.

Pads × 3

Before use

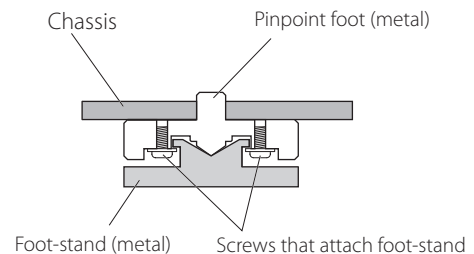
Placement precautions

- Do not install this unit in a location that could become hot. This includes places that are exposed to direct sunlight or near a radiator, heater, stove or other heating equipment. Moreover, do not place it on top of an amplifier or other equipment that generates heat. Doing so could cause discoloration, deformation or malfunction.
- Avoid locations that are extremely cold or exposed to excessive humidity or dust.
- When installing this unit, leave a little space (at least 3 cm or 8") between it and walls and other devices in order to allow good heat dissipation. If you put it in a rack, for example, leave at least 5 cm (2") open above it and at least 10 cm (4") open behind it. Failure to provide these gaps could cause heat to build up inside and result in fire.
- Place the unit in a stable location near the audio system that you will use with it.
- DO NOT place anything, not even CDs, CD-Rs, LP records or cassette tapes, on top of the units. Doing so could cause damage.
- The voltage supplied to the unit should match the voltage printed on the rear panel. If you are in any doubt regarding this matter, consult an electrician.
- Do not move the unit during use.
- Do not open the body of the unit because this could result in damage to the circuitry or cause electric shock. If a foreign object should enter the unit, contact your dealer.
- When removing the power plug from the wall outlet, always pull directly on the plug; never yank on the cord.

Note about pinpoint feet

High-precision metal pinpoint feet are attached firmly to the bottom plate of this unit.

The stands for these feet are loose, but when the unit is placed in position, it is supported by these pinpoint feet, which will effectively disperse vibrations.



- Apply the included pads to the bottoms of the foot-stands to avoid scratching the surface where the unit is placed.

Maintenance

Wipe dirt from the top cover and other panel surfaces using a soft cloth that has been slightly dampened with a diluted neutral cleanser.

Do not wipe with chemical cleaning cloths, thinner or other chemical agents. Doing so could damage the surface.

⚠ For your safety, disconnect the power cord from the socket before cleaning.

Using the TEAC Global Site

You can download updates for this unit from the TEAC Global Site:
<http://teac-global.com/>

- 1) Open the TEAC Global Site.
- 2) In the TEAC Downloads section, click the desired language to open the Downloads website page for that language.

NOTE

If the desired language does not appear, click Other Languages.

- 3) Click the "Search by Model Name" section to open the Downloads page for that product. (Users in Europe should click the product name in the "Products" section instead.)
- 4) Select and download the updates that are needed.

Product registration

Customers in the USA, please visit the following TEAC website to register your TEAC product online.

<http://audio.teac.com/support/registration/>

Using the remote control

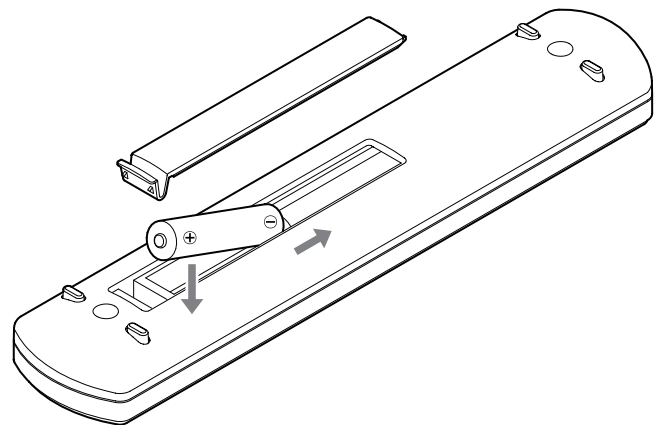
Precautions for use

⚠ Misuse of batteries could cause them to rupture or leak, which might result in fire, injury or the staining of nearby materials. Please carefully read and observe the precautions on page 3.

- When using the remote control, point it toward the remote control signal receiver on the main unit from a distance of 5 m (16 ft) or less. Do not place obstructions between the main unit and the remote control.
- The remote control might not work if the remote control signal receiver on the unit is exposed to direct sunlight or bright light. If this occurs, try moving the unit.
- Beware that use of this remote control could cause the unintentional operation of other devices that can be controlled by infrared rays.

Installing batteries

Remove the cover from the back of the remote control and insert two AAA batteries with their \oplus/\ominus ends oriented in the case as shown. Replace the cover.

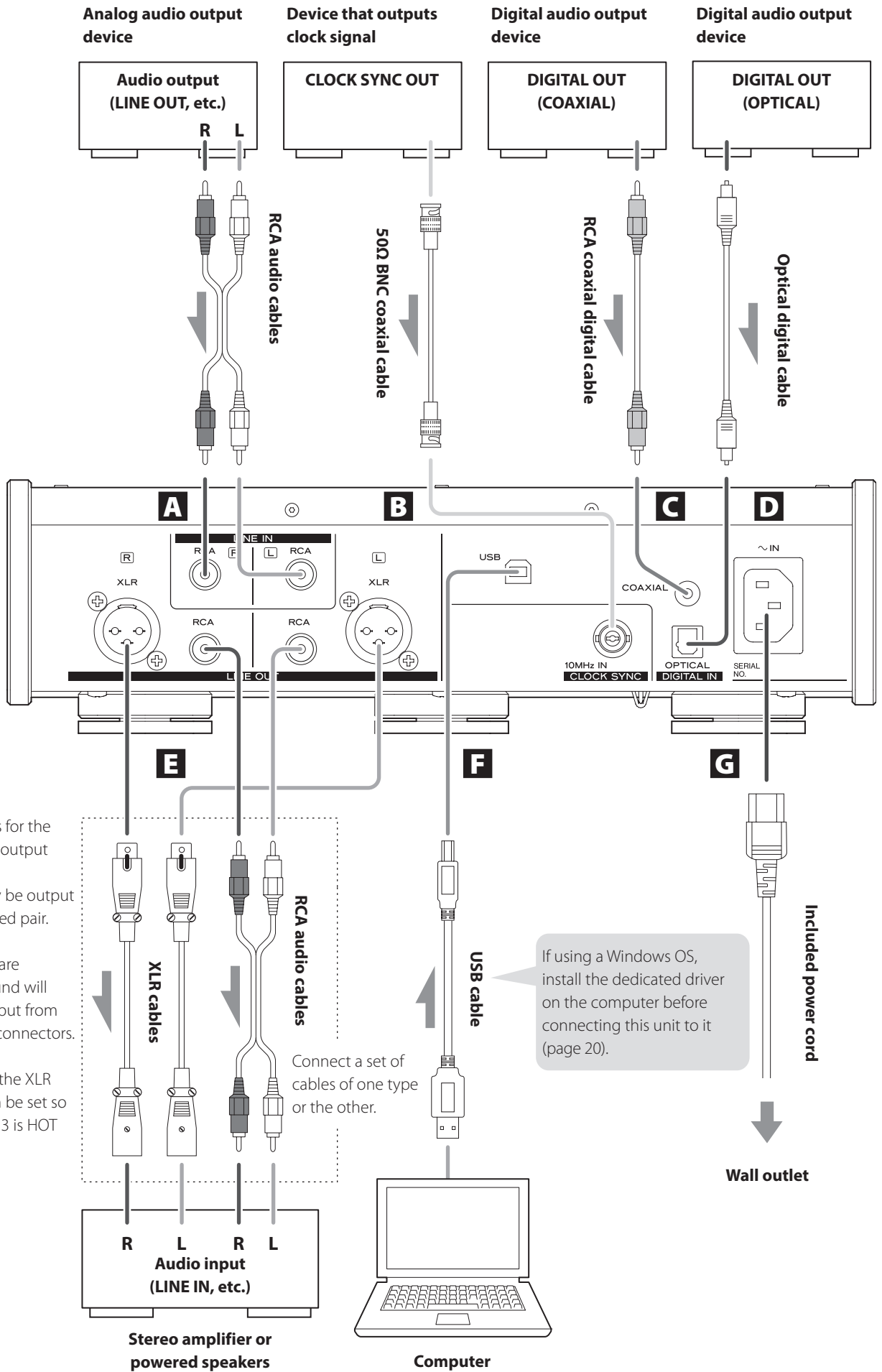


When to replace batteries

If the distance required between the remote and the main unit decreases or if the unit stops responding to the remote buttons, replace both batteries with new ones.

Dispose of the used batteries according to the instructions on them or requirements set by your local municipality.

Connections (rear panel)



A Analog audio input connectors (LINE IN)

Use these to input stereo analog audio. Connect the audio output connectors of a cassette deck, CD player or other audio output equipment to these.

Use commercially-available RCA audio cables for connections.

Connect this unit's R input connector to the R output connector of the audio output device, and this unit's L input connector to the L output connector of the other device.



B CLOCK SYNC input connector (10MHz IN)

Input a synchronization signal (clock sync) here. To input a 10MHz oscillator signal (sine wave output), connect the oscillator output here.

- Use a commercially-available BNC coaxial cable (50 Ω) for connection.
- Clock sync is possible when the input source is USB.

C RCA COAXIAL digital audio input connector

Use this to input digital audio. Connect the coaxial digital audio output connector of a digital audio device to it.

Use a commercially-available RCA coaxial digital cable for connection.

D OPTICAL digital audio input connector

Use this to input digital audio. Connect the optical digital audio output connector of a digital audio device to it. Use a commercially-available optical digital cable for connection.

E Analog audio output connectors (LINE OUT)

These output 2 channels of analog audio. Connect these XLR or RCA connectors to a stereo amplifier or powered speakers.

Use commercially available cables for connections.

XLR: balanced XLR cables
RCA: RCA audio cables

Connect this unit's R connector to the R connector of the amplifier and its L connector to the L connector of the amplifier.

- See "Line output" on page 19 for analog output settings.

F USB port

Use to input digital audio from a computer. Connect it to a computer's USB port.

Use a commercially-available USB2.0 cable (A-B type) for this connection.

ATTENTION

Before connecting a computer that is running a Windows OS, you must install the dedicated driver on the computer (page 20). Proper connection is not possible with a computer that does not have this driver installed.

G Power inlet (~IN)

Insert the included power cord here. After completing all other connections, insert the power plug into a power outlet.

⚠ Use only the included power cord. Use of other power cords could result in fire or electric shock. Unplug the cord from the outlet when not using the unit for a long time.

⚠ Complete all other connections before turning the unit on.

- Carefully read the manuals of the devices that you are connecting and follow their instructions when making connections.
- Do not bundle connecting cables with power cords. Doing so could cause noise.
- Connect all plugs completely.

Connections (front panel)

Digital audio input (OPT/COAX IN)

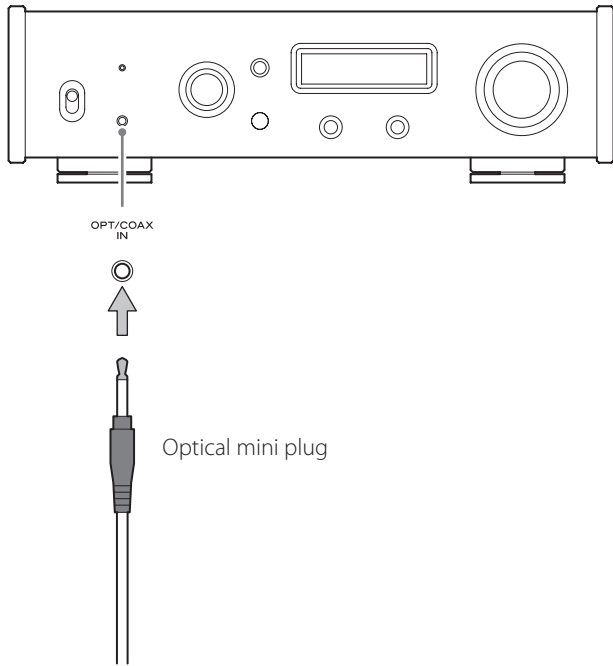
This input connector can be used for both optical (OPT) and coaxial (COAX) connections.

Optical (OPT) connection

Use a commercially-available optical cable with a mini plug.

To enable this input, turn the INPUT SELECTOR knob to select OPTf.

- The "f" indicates the front panel.

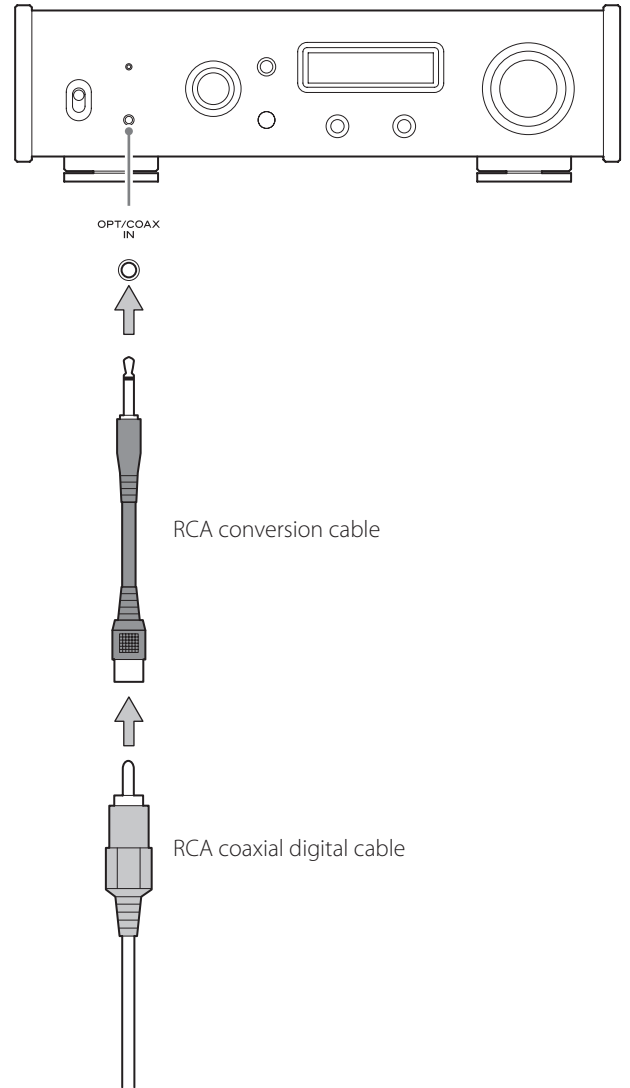


Coaxial (COAX) connection

Use the included RCA conversion cable and a **commercially-available RCA coaxial digital cable**.

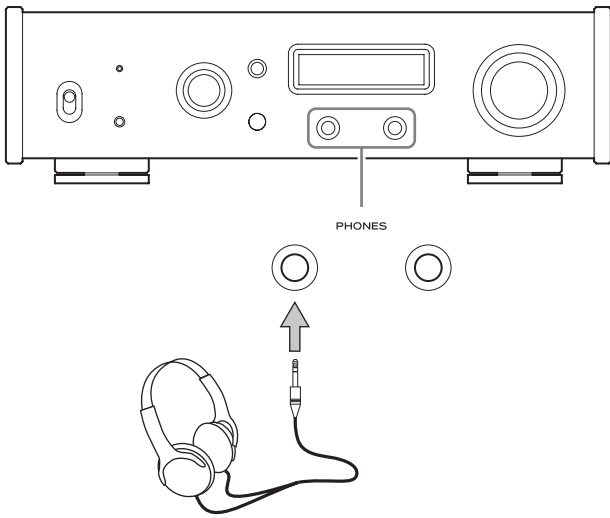
To enable this input, turn the INPUT SELECTOR knob to select COAXf.

- The "f" indicates the front panel.



Ordinary headphones (unbalanced drive)

When using unbalanced headphones, set HEADPHONES to STEREO (page 18).

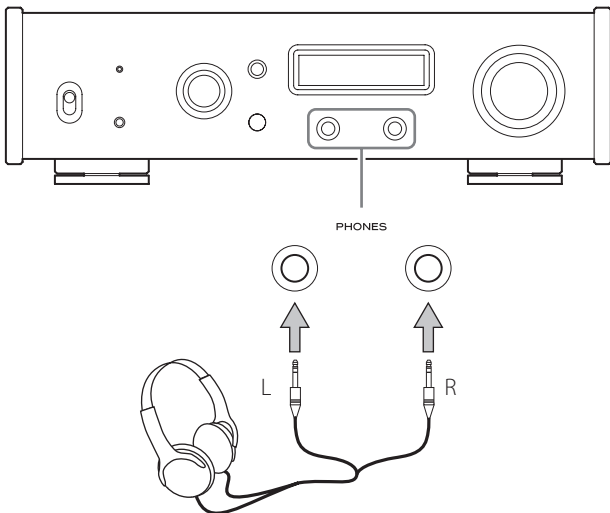


Connect the headphones to either or both left and right jacks.

- When connecting headphones to both jacks, use headphones with the same impedance and efficiency.
- Be aware that if you use two pairs of headphones with different efficiencies at the same time, you will not be able to adjust their volumes separately.

Balanced headphones

When using balanced headphones, set HEADPHONES to BALANCED or ACTIVE GND (page 18).

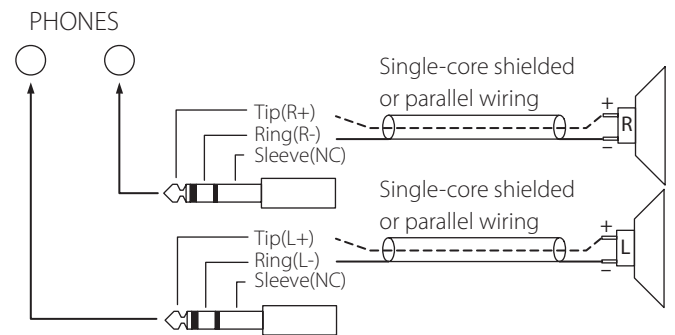
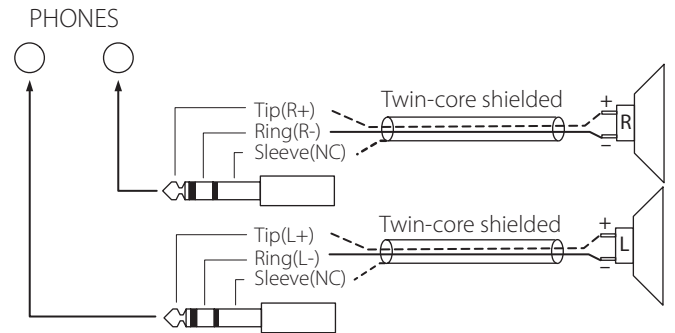


Connect the L headphones plug to the left jack and the R headphones plug to the right jack.

- The headphones plugs should be standard 6.3mm (1/4") plugs.

Wiring illustration

The following wirings support headphones that use balanced drive.



ATTENTION

- Connecting a mono plug will short one side.
- When using twin-core shielded wires, do not connect the shields to the headphones.

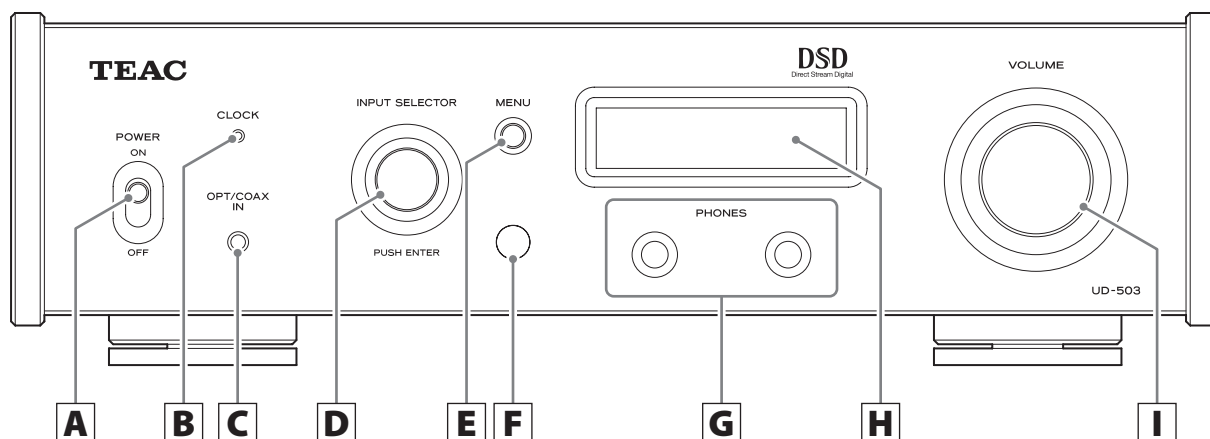
CAUTION

While wearing headphones, do not connect or disconnect them or turn the unit on or off.

Doing so could result in a sudden loud noise that could harm your hearing.

After connecting headphones to this unit, always set the volume to minimum ($-\infty$ dB) before putting the headphones on (page 16).

Names and functions of parts (main unit)



A POWER switch

Use to turn the unit on and off.

- If the display is dark even though the POWER switch is set to ON, the cause is usually one of the following.
 - The power is on, but DIMMER (display brightness) is set to OFF (page 19).
 - The automatic power saving function has put the unit into standby.
 - The power cord is disconnected.

To turn the unit on, press the STANDBY/ON button on the remote control, or set the power switch to OFF once and then back to ON.

B CLOCK indicator

This shows the clock synchronization status.

- Lit: The unit is synchronized with the clock from the CLOCK SYNC input connector (10MHz IN).
- Blinking: No clock is being input or the unit is not being synchronized.
- Unlit: No clock sync is occurring.

- See page 18 for clock sync settings.

C Digital audio input (OPT/COAX IN)

Use this to input digital audio.

- Optical connection: Use an optical cable with a mini plug.
- Coaxial connection: Use the included RCA conversion cable.

D INPUT SELECTOR knob

Use to select the input source.

Use to change setting values when a menu item is shown.

Press to use as an ENTER button.

Turn when the menu is open to change the item shown or the setting value.

E MENU button

Press to enter setting mode (page 17).

Press when in setting mode to return to the previous screen.

F Remote control signal receiver

This receives signals from the remote control. When operating the remote control, point it at the remote control signal receiver.

G PHONES jacks

Connect headphones with a standard 6.3mm (1/4") stereo plug here (page 11).

- If headphones are connected to this unit, audio will not be output from the analog audio outputs on the rear panel.

H Display

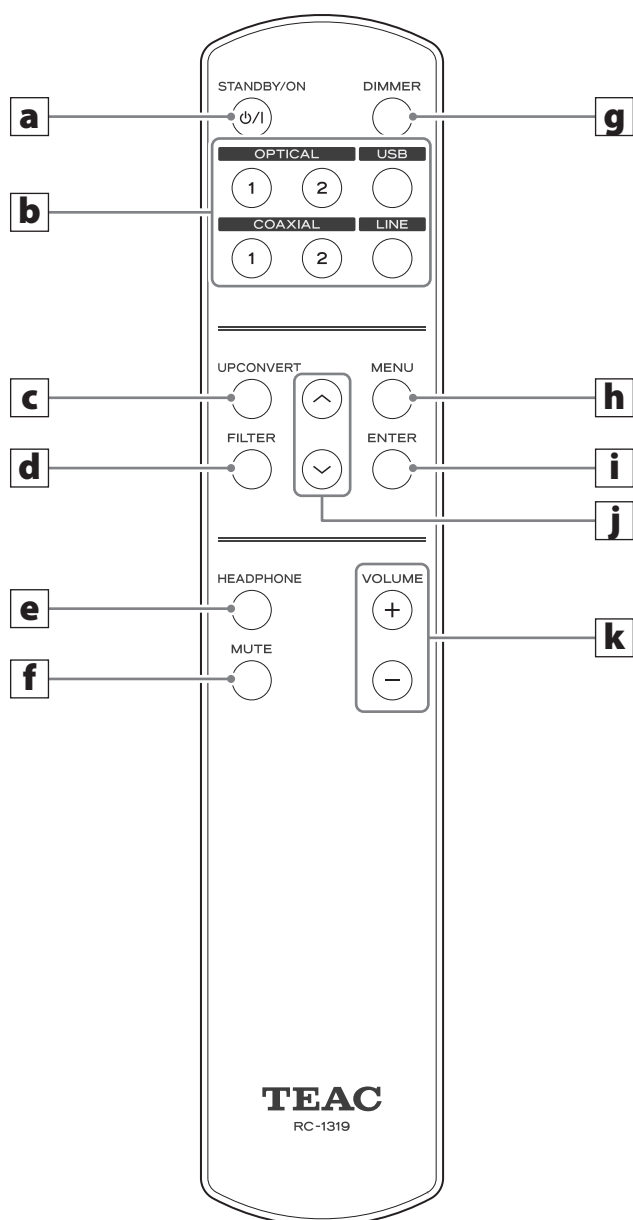
This display shows information about the audio playing back and menu screens.

I VOLUME knob

Use to adjust the headphones output volume. Turn right to increase and left to decrease the volume.

- To enable adjustment of this unit's analog audio output volume, set LINE OUT LEVEL to VARIABLE ("Line output level" on page 19). This will enable adjustment of the analog output level using this VOLUME knob.
- Volume settings are retained separately for analog audio output and headphone output.

Names and functions of parts (remote control)



When the main unit and the remote control both have buttons with the same functions, this manual explains how to use one of the buttons. The other corresponding button can be used in the same manner.

a STANDBY/ON button

Press to put the unit into standby mode or turn it on.

b INPUT buttons

Use to select the playback source.

c UPCONVERT button

Use to change the upconversion setting.

d FILTER button

Use to change the filter setting.
This changes the filter according to the input (PCM or DSD).

e HEADPHONE button

Use to change the headphone type.

f MUTE button

Press to minimize the volume.

g DIMMER button

Use to adjust the brightness of the main unit's display.

h MENU button

Press to enter setting mode (page 17).
Press when in setting mode to return to the previous screen.

i ENTER button

Press to confirm the selected item.

j Up/down (^/∨) buttons

Use to select setting items.

k VOLUME (+/-) buttons

Use these buttons to adjust the volume.

Display

When on



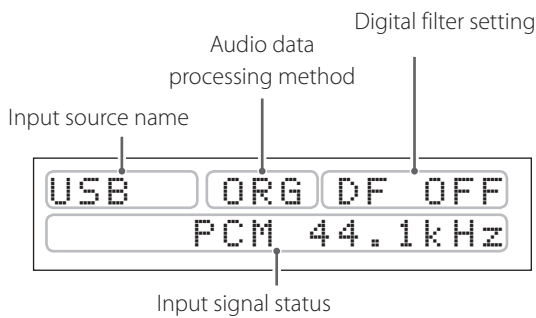
After the above messages appear, the input source will be shown on the display.

Input source information display

The input source information display will appear after turning the unit on as well as when about 10 seconds pass without operation when a setting screen is open.

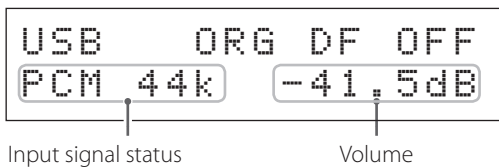
Display example

When headphones are not connected and LINE OUT LEVEL is set to FIX or OFF



- Turning the VOLUME knob will not change the volume.

When headphones are connected or LINE OUT LEVEL is set to VARIABLE



- Turning the VOLUME knob will change the volume, and the volume will appear to the right of the input signal status.

Input source name

This shows the name of the selected source.

The names shown on the display correspond to the selected connectors as follows.

USB

USB port

COAXf

Coaxial connection with the digital audio input (OPT/COAX IN) on the front panel

COAX

RCA COAXIAL digital audio input connector on the rear panel

OPTf

Optical connection with the digital audio input (OPT/COAX IN) on the front panel

OPT

OPTICAL digital audio input connector on the rear panel

LINE

Analog audio input connectors (LINE IN) on the rear panel

Audio data processing methods

ORG

The original input signal is sent directly to the D/A converter without upconversion.

2Fs

4Fs

8Fs

DSD

The upconversion shown will be used (page 18).

DoP

DSD signal is received by DoP (DSD over PCM) method.

Digital filter setting

This shows the digital filter setting (page 18).

Input signal status

This shows the input source signal status.

UNLOCK!

The unit cannot synchronize with the input signal.

NOT AUDIO!

A signal with a format that cannot be played is being received.

UNCONNECTED!

The input source is USB, but no USB cable is connected to the unit.

READY

The input source is USB, but no audio signal is being received.

ANALOG

The input source is the analog audio inputs.

PCM 32kHz

PCM 44.1kHz

PCM 48kHz

PCM 88.2kHz

PCM 96kHz

PCM 128kHz

PCM 176.4kHz

PCM 192kHz

PCM 256kHz

PCM 352.8kHz

PCM 384kHz

DSD 2.8MHz

DSD 5.6MHz

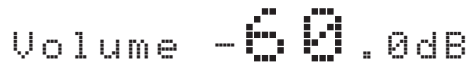
DSD 11.2MHz

These show the input signal type and sampling frequency.

Volume display

The volume setting will be shown when you turn this unit's VOLUME knob.

Display example



Volume -60.0dB

Upconversion function

You can use the upconversion function with digital audio input (OPT, COAX) and USB input (page 18).

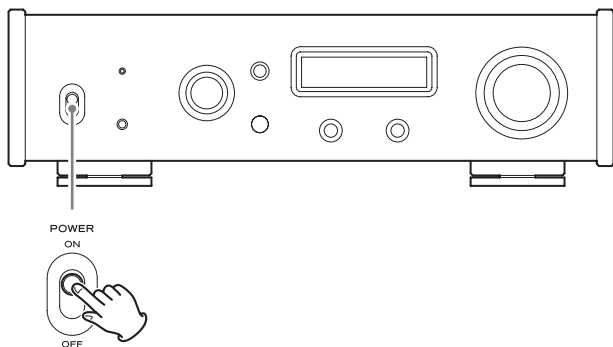
The relationships between input sampling frequencies and sampling frequencies after upconversion are as follows.

| Input source | | Upconversion setting | | | | |
|--------------------------|-------|---------------------------------------|-------|-------|-------|------|
| Digital audio input | USB | OFF | 2Fs | 4Fs | 8Fs | DSD |
| Input sampling frequency | | Sampling frequency after upconversion | | | | |
| [kHz] | | [kHz] | | | [MHz] | |
| 32 | – | 32 | 64 | 128 | 256 | 8.0 |
| 44.1 | 44.1 | 44.1 | 88.2 | 176.4 | 352.8 | 11.2 |
| 88.2 | 88.2 | 88.2 | 88.2 | 176.4 | 352.8 | 11.2 |
| 176.4 | 176.4 | 176.4 | 176.4 | 176.4 | 352.8 | 11.2 |
| – | 352.8 | 352.8 | 352.8 | 352.8 | 352.8 | 11.2 |
| 48 | 48 | 48 | 96 | 192 | 384 | 12.2 |
| 96 | 96 | 96 | 96 | 192 | 384 | 12.2 |
| 192 | 192 | 192 | 192 | 192 | 384 | 12.2 |
| – | 384 | 384 | 384 | 384 | 384 | 12.2 |

Values indicated by  are unchanged.

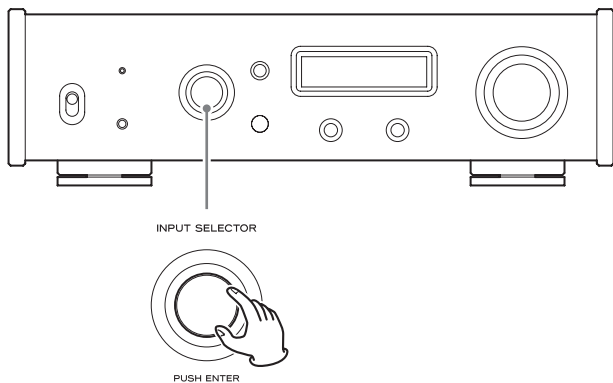
Basic operation

- 1 Shift the POWER switch to its ON position to turn the unit on.**



- If a stereo amplifier is connected to this unit, always turn its power ON very last.

- 2 Turn the INPUT SELECTOR knob to select the input source.**



The selected source appears on the display.

- You can also use the up and down (∧, ∨) buttons on the remote control.
- If the input signal is not a digital audio signal or is an audio signal format that is not supported by this unit, such as Dolby Digital, DTS or AAC, "NOT AUDIO!" will appear on the screen and no audio will be output. Set the digital output of the connected device to PCM audio output.
- To use a computer running a Windows OS to play back audio files when this unit is set to USB, you must first install a dedicated driver on the computer before connecting them (page 20).
- DSD data can only be played back using USB or DoP format digital input.

- 3 Operate the playback device.**

Refer to the operation manual of that device.

- 4 Adjust the volume.**

When using the line outputs

When LINE OUT LEVEL is set to VARIABLE, turn this unit's VOLUME knob to adjust the volume.

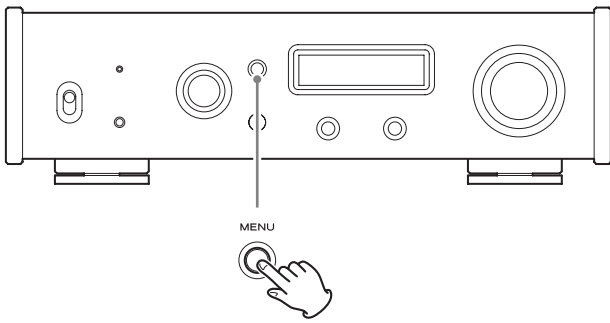
When LINE OUT LEVEL is set to any other setting, the volume cannot be adjusted from this unit. Use the stereo amplifier or other device connected to this unit to adjust the volume.

When headphones are connected to this unit

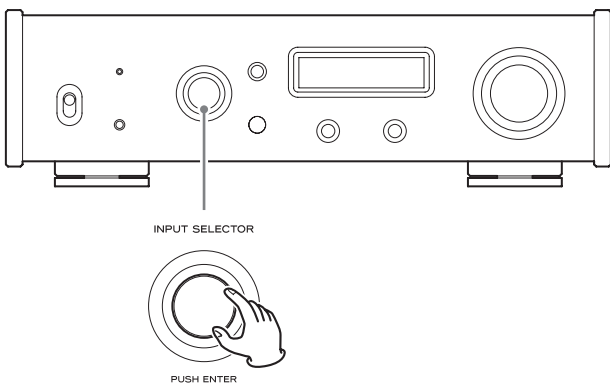
Turn this unit's VOLUME knob to adjust the volume.

- When this unit's VOLUME knob is enabled, the volume setting will be shown.

1 Press the MENU button to show the setting items.

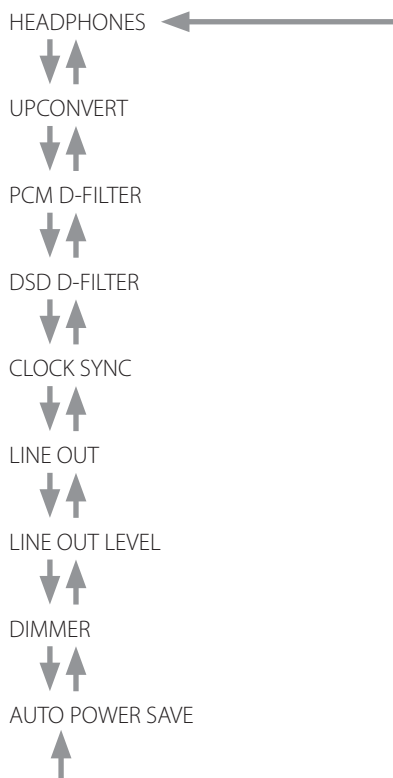


2 Turn the INPUT SELECTOR knob to show the setting to be changed.

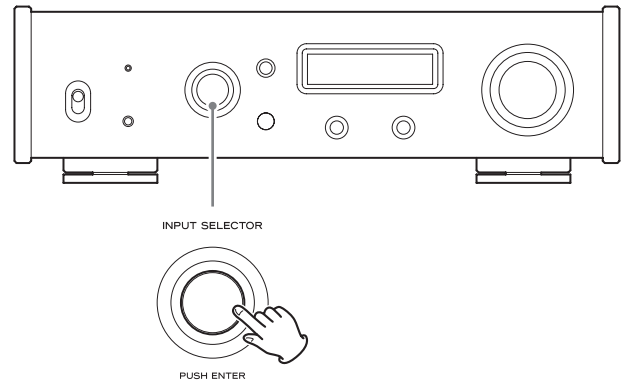


- You can also use the up and down (∧, ∨) buttons on the remote control.

The menu items appear in the following order.



3 Press the INPUT SELECTOR knob to confirm the selection.

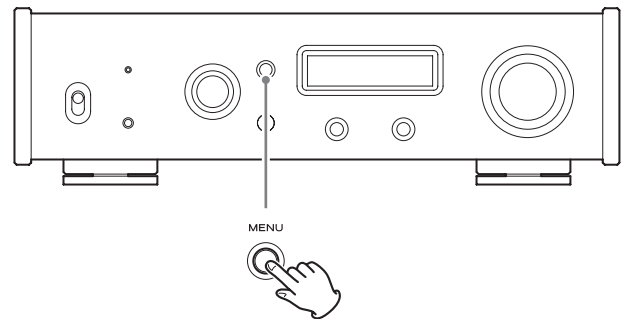


- You can also press the ENTER button on the remote control.
- The currently set value is shown on the display.

4 Turn the INPUT SELECTOR knob to change the setting value.

- You can also use the up and down (∧, ∨) buttons on the remote control.
- Press the MENU button to return to setting item selection.

5 When you are done changing settings, press the MENU button to show the input source status again.



- If you do not do anything for about 10 seconds, the display will return to showing the input source status.

Settings (continued)

Upconversion

Use to activate the upconversion circuit when receiving PCM format signals.

- See page 15 for the relationships between input sampling frequencies and sampling frequencies after upconversion.

```
*UPCONVERT  
> OFF
```

OFF

The original input signal is sent directly to the D/A converter without upconversion.

2Fs

If the input audio signal is less than 2x a standard sampling frequency (32, 44.1 or 48 kHz), it is upconverted 2x and then sent to the D/A converter.

4Fs

If the input audio signal is less than 4x a standard sampling frequency (32, 44.1 or 48 kHz), it is upconverted 4x and then sent to the D/A converter.

8Fs

If the input audio signal is less than 8x a standard sampling frequency (32, 44.1 or 48 kHz), it is upconverted 8x and then sent to the D/A converter.

DSD

The input source is converted to DSD digital format, and then sent to the D/A converter.

PCM digital filter

Use to set the digital filter when receiving PCM format signals.

```
*PCM D-FILTER  
> OFF
```

OFF

The digital filter is disabled.

FIR SHARP

An FIR filter with a steep roll-off is used to sharply cut signals outside the audio band.

FIR SLOW

An FIR filter with a slow roll-off is used to gently cut signals outside the audio band.

SDLY SHARP

A short delay filter with a steep roll-off is used to sharply cut signals outside the audio band.

SDLY SLOW

A short delay filter with a slow roll-off is used to gently cut signals outside the audio band.

- When receiving signals at 352.8 kHz or 384 kHz, the digital filter will be disabled during playback regardless of this setting.

DSD digital filter

Use to set the digital filter when receiving DSD format signals.

```
*DSD D-FILTER  
> CUTOFF 150kHz
```

CUTOFF 50kHz

50Hz cutoff frequency

CUTOFF 150kHz

150Hz cutoff frequency

Clock sync

- Clock sync is possible when the input source is USB.

```
*CLOCK SYNC  
> OFF
```

OFF

No clock sync is used.

ON

This unit's master clock will be synchronized to the 10MHz clock input through the CLOCK SYNC input connector (10MHz IN).

Headphones settings

```
*HEADPHONES  
> STEREO
```

Make settings suitable for the headphones being connected (page 11).

STEREO

Unbalanced headphones

BALANCED

Balanced headphones

Balanced headphones are operated with differential drive.

The negative and positive connectors operate with opposite polarities.

ACTIVE GND

Balanced headphones

The amp drives so that the negative connector of balanced headphones is 0V.

To the headphones, the characteristics of the outputs become equivalent.

Line output

```
*LINE OUT
> RCA
```

Use to select the connectors that output analog audio.

- Output through both the RCA connectors and the XLR connectors at the same time is not possible.

RCA

Output through the RCA connectors.

XLR2

Output through the XLR connectors with 2: HOT polarity.

XLR3

Output through the XLR connectors with 3: HOT polarity.

Line output level

```
*LINE OUT LEVEL
> FIX 0dB
```

Use to select audio level output from the analog audio output connectors (LINE OUT).

FIX 0dB

A maximum of 2 Vrms is output. Select this if you want to adjust the volume using an amplifier.

- No sound will be output if headphones are connected.

FIX +6dB

A maximum of 4 Vrms is output. Select this if you want to adjust the volume using an amplifier.

- No sound will be output if headphones are connected.
- If the sound distorts, set this to FIX 0dB.

VARIABLE

This will enable adjustment of the analog output level using the VOLUME knob. Select this if you want to adjust the volume using this unit.

- No sound will be output if headphones are connected.

OFF

No sound is ever output.

Display brightness

```
*DIMMER
> DIMMER 3
```

DIMMER 3

Ordinary brightness

DIMMER 2

Slightly dim

DIMMER 1

Even dimmer

OFF

Display off

- The display stays unlit even when the unit is on.

Automatic power saving function

This unit has an automatic power saving function.

- The automatic power saving function is on when the unit is shipped new from the factory.

```
*AUTO POWER SAVE
> ON
```

OFF

The automatic power saving function is disabled.

ON

The unit will automatically enter standby mode if there is no audio input when the input source is LINE or if no input signal is locked for about 30 minutes when the input source is anything else.

Playing back music on a computer

Installing the driver on a computer

This unit can be connected with computers running the following operating systems. Operation with other operating systems is not guaranteed (As of April, 2015).

When using Mac OS

The driver works with the following versions.

- OS X Lion (10.7)
- OS X Mountain Lion (10.8)
- OS X Mavericks (10.9)
- OS X Yosemite (10.10)

This unit will run with the standard OS driver, so there is no need to install a special driver.

When using Windows

The driver works with the following versions.

- Windows 7 (32/64-bit)
- Windows 8 (32/64-bit)
- Windows 8.1 (32/64-bit)

Installing the driver on the computer

In order to play audio files stored on a computer through this unit, you must install a dedicated driver on that computer beforehand. Download the dedicated driver from the TEAC Global Site:

TEAC Global Site
<http://teac-global.com/>

ATTENTION

Install the dedicated driver before connecting the unit with the computer by USB.

If you connect this unit with a computer before installing the driver, it will not work properly.

- For instructions about driver installation procedures, access the Downloads page from the TEAC Global site (<http://teac-global.com/>).
- Depending on the combination of hardware and software, proper operation might not be possible even with the above operating systems.

About the transmission mode

This unit connects using high-speed asynchronous mode. The sampling frequencies that can be transmitted are 44.1, 48, 88.2, 96, 176.4, 192, 352.8 and 384 kHz.

When properly connected, you will be able to select "TEAC USB AUDIO DEVICE" as an audio output from the computer OS.

- In asynchronous mode, the audio data sent from the computer will be processed using this unit's clock, enabling the amount of jitter that occurs during data transmission to be reduced.

Downloading playback application TEAC HR Audio Player

You can download Mac and Windows versions of our free TEAC HR Audio Player application that supports playback of DSD files from the TEAC Global Site (<http://teac-global.com/>).

TEAC HR Audio Player setting note

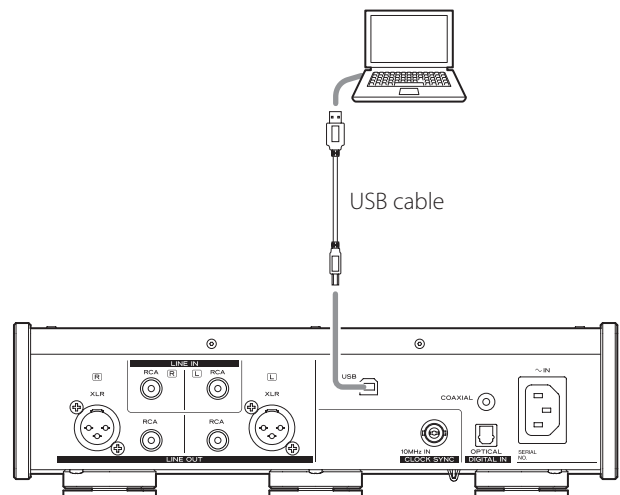
To play 11.2MHz DSD recordings with TEAC HR Audio Player, open the Configure window and set the "Decode mode" to "DSD Native."

To play formats other than 11.2MHz DSD, you can set this to either "DSD over PCM" or "DSD Native" as you like.

For details, see "Selecting DSD decoding mode" in the TEAC HR Audio Player Owner's Manual.

Playing back audio files from a computer

1 Connect this unit to the computer using a USB cable.

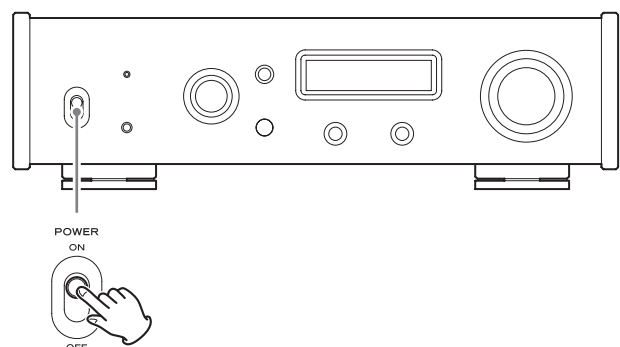


- Use a cable with a connector that matches that of this unit.

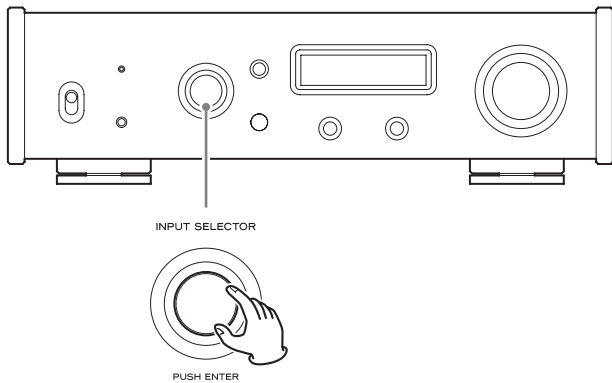
2 Turn the computer on.

- Confirm that the operating system has started properly.

3 Shift the POWER switch to its ON position to turn the unit on.



4 Turn the INPUT SELECTOR knob to select USB.



5 Start playback of an audio file on the computer.

By maximizing the output volume from the computer and adjusting the volume output from the stereo amplifier, better sound quality can be achieved.

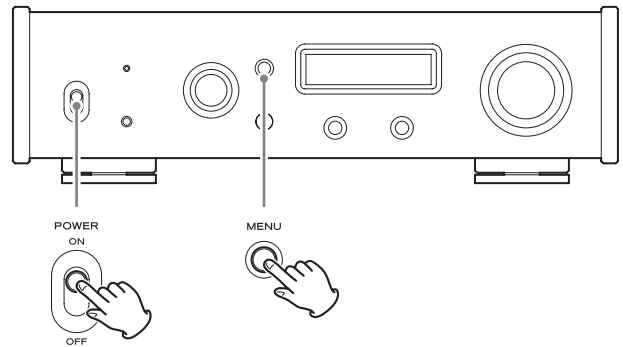
Minimize the stereo amplifier volume before beginning playback. Then, gradually increase it.

When using headphones connected to this unit, turn the VOLUME knob counterclockwise to minimize the volume before putting them on. Then, gradually increase it.

- The computer and this unit cannot control each other.
- Do not do any of the following when playing back an audio file via USB. Doing so could cause the computer to malfunction. Always quit the audio playback software before doing any of the following.
 - Unplugging the USB cable
 - Turning this unit off
 - Changing the current input selection
- When playing back an audio file via USB, computer operation sounds will also be output. If you do not want these sounds to be output, make appropriate settings on the computer to turn them off.
- If you connect this unit with the computer or change its input to USB after starting the audio playback software, audio files might not play back correctly. If this should occur, restart the audio playback software or restart the computer.

Restoring default settings

While pressing and holding the MENU button, set the POWER switch to ON.



- Release the MENU button when the "SETUP CLEAR" message appears.

The factory default settings are the setting values shown in the screen images used in the explanations in this manual.

Troubleshooting

If you experience a problem with the unit, please take a moment to review the following information before requesting service. If it still does not operate correctly, contact the retailer where you purchased the unit.

General

The unit does not turn on.

- ➔ Check that the power cord is completely plugged into the power outlet. If the outlet is switched, confirm that the switch is in the ON position.
- ➔ Connect a different electrical device to the outlet to confirm that it is supplying power.
- ➔ If the automatic power saving function has caused the unit to enter standby, press the remote control STANDBY/ON button to turn the unit on again.

No sound is output.

- ➔ If a stereo amplifier is connected to this unit, adjust its volume.
- ➔ If you are using headphones connected to this unit, use the VOLUME knob to adjust the volume.
- ➔ Use the INPUT SELECTOR knob to select the input that is connected to the source that you want to hear.
- ➔ Reconfirm the connections with other equipment.

There is a humming noise.

- ➔ If a connecting cable is near a power cord, fluorescent light or similar cause of interference, increase the distance between them as much as possible.

There is no sound from one side of the headphones.

- ➔ Confirm that the headphones plug is inserted completely.

The headphone output is not stereo.

- ➔ Confirm that the HEADPHONES setting is STEREO.

Clock sync

The CLOCK indicator does not stop blinking.

- ➔ Set clock synchronization to OFF when not using it.
- ➔ Synchronization with the clock signal being input might not be possible. Check the connections of the clock sync connectors and the settings of the connected device.

Connections with a computer

Computer does not recognize this unit.

- ➔ This unit can be connected with computers running the following operating systems. Operation with other operating systems is not guaranteed (As of April, 2015).

Mac OS

OS X Lion (10.7)
OS X Mountain Lion (10.8)
OS X Mavericks (10.9)
OS X Yosemite (10.10)

- This unit can be used with the standard OS driver.

Windows

Windows 7 (32/64-bit)
Windows 8 (32/64-bit)
Windows 8.1 (32/64-bit)

- Requires installation of a dedicated driver (page 20).

Noise occurs.

- ➔ Starting other applications during playback of a music file may interrupt playback or cause noise. Do not start other applications during playback.

When the unit is connected to a computer via a USB hub, for example, noise might be heard. If this occurs, connect the unit directly to the computer.

Audio files cannot be played back.

- ➔ Connect this unit to the computer, and set this unit's input to USB before launching music playback software.
If you connect this unit to the computer or set its input to USB after launching audio playback software, music files might not play back properly.

Since this unit uses a microcontroller, external noise and other interference can cause the unit to malfunction. If this occurs, unplug the power cord, wait for a while, and then turn the unit on again and restart operations.

Analog audio outputs

| | |
|---|--|
| Connectors | XLR connectors × 1 pair RCA connectors × 1 pair |
| Output impedance | XLR: 188 Ω RCA: 150 Ω |
| Maximum output level (1 kHz/full-scale, into 10 kΩ) | |
| FIX 0dB | XLR/RCA: 2.0 Vrms |
| FIX +6dB | XLR/RCA: 4.0 Vrms |
| VARIABLE | XLR: 12 Vrms RCA: 6 Vrms |
| Frequency response | 5 Hz – 80 kHz (+1 dB/–3 dB) |
| S/N ratio | 110 dB (A-Weight, 1 kHz) |
| Distortion | 0.0015% (1 kHz, LPF: 20 Hz – 20 kHz) |

Headphones outputs

| | |
|----------------------------|---|
| Connectors | Standard 6.3mm (1/4") stereo jacks × 2 |
| Effective maximum output | |
| STEREO | 500 mW + 500 mW (one pair into 32 Ω) 350 mW + 350 mW (two pairs into 32 Ω) |
| BALANCED | 700 mW + 700 mW (into 32 Ω) |
| Compatible impedance range | 16–600 Ω |

Analog audio inputs

| | |
|-------------------|-------------------------|
| Connectors | RCA connectors × 1 pair |
| Input impedance | 51 kΩ |
| Input sensitivity | 130 mV |

Digital audio inputs

| | |
|-----------------------------|--|
| COAXIAL digital | RCA connector × 1 3.5mm mini jack × 1 (3.5mm mini plug connection also possible using RCA-mini plug adapter cable) (0.5 Vp-p, 75 Ω) |
| OPTICAL digital | Rectangular connector × 1 3.5mm mini jack × 1 (–24.0 to –14.5 dBm peak) |
| USB | Type B connector × 1 (USB 2.0 compliant) |
| PCM data sampling frequency | |
| COAXIAL digital | 32 kHz, 44.1 kHz, 48 kHz, 88.2 kHz, 96 kHz, 176.4 kHz, 192 kHz |
| OPTICAL digital | 32 kHz, 44.1 kHz, 48 kHz, 88.2 kHz, 96 kHz, 176.4 kHz, 192 kHz |
| USB | 44.1 kHz, 48 kHz, 88.2 kHz, 96 kHz, 176.4 kHz, 192 kHz, 352.8 kHz, 384 kHz |

| | |
|---------------------------------|---|
| Quantization bit depth | |
| COAXIAL digital/OPTICAL digital | 16/24-bit |
| USB | 16/24/32-bit |
| DSD data sampling frequency | |
| USB | 2.8 MHz, 5.6 MHz, 11.2 MHz |
| COAXIAL digital/OPTICAL digital | 2.8 MHz (supported using 176.4kHz/24-bit DoP transmission) |

Clock sync input

| | |
|--------------------------|--|
| Connector | BNC |
| Input sampling frequency | 10 MHz |
| Input impedance | 50 Ω |
| Input level | Rectangle wave: equivalent to TTL levels Sine wave: 0.5 to 1.0 Vrms |

General

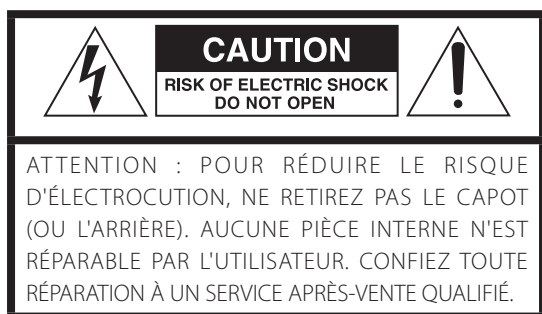
| | |
|-----------------------------|---|
| Power supply | |
| Model for Europe | AC 220–240 V, 50/60 Hz |
| Model for U.S.A./Canada | AC 120 V, 60 Hz |
| Power consumption | 16 W |
| Standby power | 0.4 W (in standby mode) |
| External dimensions | 290 mm × 84.5 mm × 248.7 mm (11 1/2" × 3 3/8" × 9 7/8") (W × H × D including protrusions) |
| Weight | 4.2 kg (9 3/8 lb) |
| Operating temperature range | +5°C to +35°C |
| Operating humidity range | 5–85% (no condensation) |
| Storage temperature range | –20°C to +55°C |

Included accessories

| | |
|---|--|
| Power cord | × 1 |
| RCA conversion (RCA to mini plug) cable | × 1 |
| Remote control (RC-1319) | × 1 |
| Batteries for remote control (AAA) | × 2 |
| Owner's manual (this document) | × 1 |
| Warranty card | × 1 (for users in the USA and Canada only) |
| Pads | × 3 |

- Design and specifications are subject to change without notice.
- Weight and dimensions are approximate.
- Illustrations in this manual might differ slightly from production models.

INSTRUCTIONS DE SÉCURITÉ IMPORTANTES



Le symbole d'éclair à tête de flèche dans un triangle équilatéral sert à prévenir l'utilisateur de la présence dans l'enceinte du produit d'une « tension dangereuse » non isolée d'une grandeur suffisante pour constituer un risque d'électrocution pour les personnes.



Le point d'exclamation dans un triangle équilatéral sert à prévenir l'utilisateur de la présence d'instructions importantes de fonctionnement et de maintenance (entretien) dans les documents accompagnant l'appareil.

AVERTISSEMENT : POUR PRÉVENIR LES RISQUES D'INCENDIE ET D'ÉLECTROCUTION, N'EXPOSEZ PAS CET APPAREIL À LA PLUIE NI À L'HUMIDITÉ.

ATTENTION

- NE RETIREZ PAS LES CAPOTS EXTERNES OU BOÎTIERS POUR EXPOSER L'ÉLECTRONIQUE. AUCUNE PIÈCE INTERNE N'EST RÉPARABLE PAR L'UTILISATEUR.
- SI VOUS RENCONTREZ DES PROBLÈMES AVEC CE PRODUIT, CONTACTEZ LE MAGASIN OÙ VOUS AVEZ ACHETÉ L'UNITÉ. N'UTILISEZ PAS LE PRODUIT TANT QU'IL N'A PAS ÉTÉ RÉPARÉ.
- L'UTILISATION DE COMMANDES, DE RÉGLAGES OU LE SUIVI DE PROCÉDURES AUTRES QUE CE QUI EST DÉCRIT DANS CE DOCUMENT PEUT PROVOQUER UNE EXPOSITION À UN RAYONNEMENT DANGEREUX.

- 1) Lisez ces instructions.
 - 2) Conservez ces instructions.
 - 3) Tenez compte de tous les avertissements.
 - 4) Suivez toutes les instructions.
 - 5) N'utilisez pas cet appareil avec de l'eau à proximité.
 - 6) Nettoyez-le uniquement avec un chiffon sec.
 - 7) Ne bloquez aucune ouverture de ventilation. Installez-le conformément aux instructions du fabricant.
 - 8) Ne l'installez pas près de sources de chaleur telles que des radiateurs, bouches de chauffage, poêles ou autres appareils (y compris des amplificateurs) produisant de la chaleur.
 - 9) Ne neutralisez pas le dispositif de sécurité de la fiche polarisée ou de terre. Une fiche polarisée a deux broches, l'une plus large que l'autre. Une fiche de terre a deux broches identiques et une troisième broche pour la mise à la terre. La broche plus large ou la troisième broche servent à votre sécurité. Si la fiche fournie n'entre pas dans votre prise, consultez un électricien pour le remplacement de la prise obsolète.
 - 10) Évitez de marcher sur le cordon d'alimentation et de le pincer, en particulier au niveau des fiches, des prises secteur, et du point de sortie de l'appareil.
 - 11) N'utilisez que des fixations/accessoires spécifiés par le fabricant.
 - 12) Utilisez-le uniquement avec le chariot, socle, trépied, support ou table spécifié par le fabricant ou vendu avec l'appareil. Si un chariot est utilisé, faites attention à ne pas être blessé par un renversement lors du déplacement de l'ensemble chariot/appareil.
 - 13) Débranchez cet appareil en cas d'orage ou de non utilisation prolongée.
 - 14) Confiez toute réparation à des techniciens de maintenance qualifiés. Une réparation est nécessaire si l'appareil a été endommagé d'une quelconque façon, par exemple si le cordon ou la fiche d'alimentation est endommagé, si du liquide a été renversé sur l'appareil ou si des objets sont tombés dedans, si l'appareil a été exposé à la pluie ou à l'humidité, s'il ne fonctionne pas normalement, ou s'il est tombé.
- L'appareil tire un courant nominal de veille de la prise secteur quand son interrupteur POWER ou STANDBY/ON n'est pas en position ON.
 - La fiche secteur est utilisée comme dispositif de déconnexion et doit donc toujours rester disponible.
 - Des précautions doivent être prises pour l'emploi d'écouteurs ou d'un casque avec le produit car une pression acoustique (volume) excessive dans les écouteurs ou dans le casque peut provoquer une perte d'audition.



ATTENTION

- N'exposez pas cet appareil aux gouttes ni aux éclaboussures.
- Ne placez pas d'objet rempli de liquide sur l'appareil, comme par exemple un vase.
- N'installez pas cet appareil dans un espace confiné comme une bibliothèque ou un meuble similaire.
- L'appareil doit être placé suffisamment près de la prise de courant pour que vous puissiez à tout moment atteindre facilement la fiche du cordon d'alimentation.
- Si le produit utilise des batteries (y compris un pack d'accus ou des batteries fixes), elles ne doivent pas être exposées au soleil, au feu ou à une chaleur excessive.
- **PRÉCAUTION** pour les produits utilisant des batteries au lithium remplaçables : il existe un danger d'explosion en cas de remplacement par un type de batterie incorrect. Remplacez-les uniquement par des modèles identiques ou équivalents.

AVERTISSEMENT

Les produits ayant une construction de Classe **I** sont équipés d'un cordon d'alimentation avec une fiche de terre. Le cordon de ces produits doit être branché dans une prise de terre.

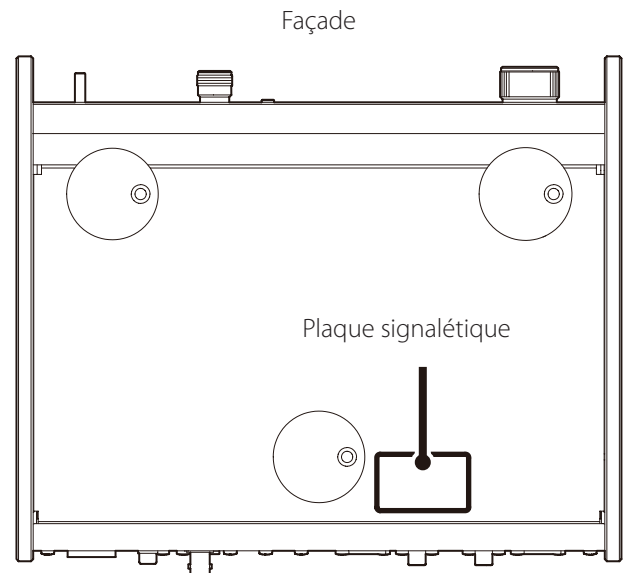
**EN AMÉRIQUE DU NORD/CANADA,
N'UTILISEZ QU'UNE ALIMENTATION 120 V.**

⚠ Précautions concernant les piles

Un mauvais emploi des piles peut entraîner leur rupture ou leur fuite, avec pour conséquence un incendie, des blessures ou la salissure des objets proches. Veuillez lire et suivre attentivement les précautions suivantes.

- Veillez à insérer les piles avec leurs pôles positif (\oplus) et négatif (\ominus) correctement orientés.
- Utilisez des piles du même type. N'utilisez jamais des types de pile différents ensemble.
- Si la télécommande doit rester inutilisée durant une période prolongée (plus d'un mois), retirez ses piles pour éviter qu'elles ne coulent.
- Si les piles coulent, essuyez le liquide dans le compartiment des piles et remplacez les piles par des neuves.
- N'utilisez pas de piles d'un type autre que celui spécifié. Ne mélangez pas des piles neuves avec des anciennes et n'utilisez pas ensemble des types de pile différents.
- Ne chauffez pas et ne démontez pas les piles. Ne jetez jamais les piles dans un feu ou dans de l'eau.
- Ne conservez et ne transportez pas les piles avec d'autres objets métalliques. Les piles pourraient entrer en court-circuit, couler ou exploser.
- Ne rechargez jamais une batterie sans avoir vérifié qu'elle peut l'être.

La plaque signalétique se trouve sous l'unité comme représenté ci-dessous.



"DSD" is a registered trademark.

Windows is either registered trademark or trademark of Microsoft Corporation in the United States and/or other countries.

Mac, Mac OS and OS X are trademarks of Apple Inc., registered in the U.S. and other countries.

Les autres noms de société et de produit cités dans ce document sont des marques commerciales ou déposées de leurs détenteurs respectifs.

INSTRUCTIONS DE SÉCURITÉ IMPORTANTES (suite)

Modèle pour le Canada

Déclaration de conformité d'Industrie Canada :
Cet appareil numérique de la classe B est conforme à la norme NMB-003 du Canada.

Modèle pour l'Europe

DÉCLARATION DE CONFORMITÉ



Nous, TEAC AUDIO EUROPE, Liegnitzer Straße 6, 82194 Gröbenzell, Allemagne, déclarons sous notre propre responsabilité que le produit TEAC décrit dans ce mode d'emploi est conforme aux normes techniques lui correspondant.



ATTENTION

Les changements ou modifications non expressément approuvés par la partie responsable de la conformité peuvent invalider le droit de l'utilisateur à faire fonctionner l'équipement.

Pour les consommateurs européens Mise au rebut des équipements électriques et électroniques et des piles et/ou accumulateurs

- Tous les équipements électriques/électroniques et piles/accumulateurs hors d'usage doivent être traités séparément de la collecte municipale d'ordures ménagères dans des points de collecte désignés par le gouvernement ou les autorités locales.
- En vous débarrassant correctement des équipements électriques/électroniques et piles/accumulateurs hors d'usage, vous contribuerez à la sauvegarde de précieuses ressources et à la prévention de potentiels effets négatifs sur la santé humaine et l'environnement.
- Le traitement incorrect des équipements électriques/électroniques et piles/accumulateurs hors d'usage peut avoir des effets graves sur l'environnement et la santé humaine en raison de la présence de substances dangereuses dans les équipements.
- Le symbole de déchets d'équipements électriques et électroniques (DEEE), qui représente une poubelle à roulettes barrée d'une croix, indique que les équipements électriques/électroniques et piles/accumulateurs doivent être collectés et traités séparément des déchets ménagers.

Si une pile ou un accumulateur contient plus que les valeurs de plomb (Pb), mercure (Hg) et/ou cadmium (Cd) telles que spécifiées dans la directive sur les piles et accumulateurs (2006/66/CE), alors les symboles chimiques de ces éléments seront indiqués sous le symbole DEEE.

Pb, Hg, Cd
- Des systèmes de retour et de collecte sont disponibles pour l'utilisateur final. Pour des informations plus détaillées sur la mise au rebut des vieux équipements électriques/électroniques et piles/accumulateurs hors d'usage, veuillez contacter votre mairie, le service d'ordures ménagères ou le magasin dans lequel vous avez acquis l'équipement.

Sommaire

Nous vous remercions d'avoir choisi TEAC.

Lisez ce mode d'emploi avec attention pour tirer les meilleures performances de cette unité. Après l'avoir lu, gardez-le en lieu sûr avec la carte de garantie pour vous y référer ultérieurement.

| | |
|---|----|
| INSTRUCTIONS DE SÉCURITÉ IMPORTANTES..... | 24 |
| Éléments fournis..... | 27 |
| Avant l'utilisation..... | 28 |
| Entretien..... | 29 |
| Utilisation du site mondial TEAC..... | 29 |
| Emploi de la télécommande..... | 29 |
| Branchements (face arrière)..... | 30 |
| Branchements (face avant)..... | 32 |
| Branchement d'un casque..... | 33 |
| Nomenclature et fonctions des parties (unité principale)..... | 34 |
| Nomenclature et fonctions des parties (télécommande)..... | 35 |
| Affichage..... | 36 |
| Fonction de conversion ascendante..... | 37 |
| Fonctionnement de base..... | 38 |
| Réglages..... | 39 |
| Lecture de musique sur un ordinateur..... | 42 |
| Restauration des réglages par défaut..... | 43 |
| Guide de dépannage..... | 44 |
| Caractéristiques techniques..... | 45 |

Éléments fournis

Vérifiez que l'emballage contient bien tous les éléments représentés ci-dessous.

Veuillez contacter le magasin dans lequel vous avez acheté cette unité si l'un de ces éléments manque ou a été endommagé durant le transport.

Cordon d'alimentation × 1

Câble de conversion (RCA vers mini-jack) × 1

Télécommande (RC-1319) × 1

Piles pour télécommande (AAA) × 2

Mode d'emploi (ce document) × 1

- Conservez ce mode d'emploi dans un endroit sûr pour vous y référer ultérieurement.

Carte de garantie × 1 (pour les utilisateurs aux USA et au Canada uniquement)

- Les utilisateurs en Europe et dans les autres pays ou régions trouveront des informations concernant la garantie au dos de ce document.

Patins × 3

FR

Avant l'utilisation

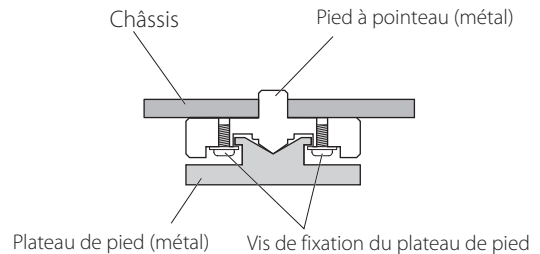
⚠ Précautions concernant l'emplacement

- N'installez pas cette unité dans un lieu qui pourrait chauffer. Cela comprend les endroits exposés directement au soleil ou près d'un radiateur, d'un chauffage, d'une cuisinière ou d'autres appareils chauffants. En outre, ne la placez pas au-dessus d'un amplificateur ou autre équipement dégageant de la chaleur. Cela pourrait causer une décoloration, une déformation ou un mauvais fonctionnement.
- Évitez les lieux extrêmement froids ou exposés à une humidité ou poussière excessive.
- Quand vous installez cette unité, laissez un peu d'espace (au moins 3 cm) entre elle et les murs et d'autres appareils afin de permettre une bonne dissipation thermique. Si vous la placez par exemple dans un rack, laissez au moins 5 cm de libre au-dessus de l'unité et 10 cm derrière elle. Ne pas laisser ces espaces peut faire monter la température au risque d'entraîner un incendie.
- Placez l'unité sur une surface stable près du système audio que vous allez utiliser avec elle.
- NE placez RIEN sur le dessus des unités, pas même des CD, CD-R, disques vinyle ou cassettes. Cela pourrait entraîner des dommages.
- La tension d'alimentation de l'unité doit correspondre à la tension imprimée sur son panneau arrière. Si vous avez des doutes à ce sujet, consultez un électricien.
- Ne déplacez pas l'unité durant l'utilisation.
- N'ouvrez pas le boîtier de l'unité car cela pourrait endommager le circuit ou causer un choc électrique. Si un objet étranger pénètre dans l'unité, consultez votre revendeur.
- Quand vous débranchez le cordon d'alimentation de la prise secteur, tirez toujours sur la prise, jamais sur le cordon.

Note sur les pieds de découplage

Des pieds à pointeau métallique de haute précision sont solidement fixés à la plaque inférieure de cette unité.

Leur plateau de protection n'est pas fixé de façon rigide, mais quand l'unité est posée à sa place, elle est soutenue par ces pieds à pointeau, qui dispersent efficacement les vibrations.



- Fixez les patins fournis sous les pieds de protection pour éviter de rayer la surface sur laquelle est placée l'unité.

Entretien

Essuyez les saletés du capot supérieur et des autres surfaces au moyen d'un chiffon doux légèrement humidifié avec un nettoyant neutre dilué.

N'utilisez pas de lingettes de nettoyage imbibées de produit chimique, de diluant ou d'autres agents chimiques. Cela pourrait endommager la surface.

⚠ Pour votre sécurité, débranchez le cordon d'alimentation de la prise secteur avant tout nettoyage.

Utilisation du site mondial TEAC

Vous pouvez télécharger des mises à jour pour cette unité depuis le site mondial TEAC : <http://teac-global.com/>

- 1) Allez sur le site mondial TEAC.
- 2) Dans la section TEAC Downloads (téléchargements TEAC), cliquez sur la langue souhaitée afin d'ouvrir la page de téléchargement du site web pour cette langue.

NOTE

Si la langue désirée n'apparaît pas, cliquez sur Other Languages (autres langues).

- 3) Cliquez sur la section « Search by Model Name » (recherche par nom de modèle) afin d'ouvrir la page Downloads (téléchargement) pour ce produit (les utilisateurs en Europe doivent cliquer sur le nom du produit dans la section « Products » (produits)).
- 4) Sélectionnez et téléchargez les mises à jour nécessaires.

Emploi de la télécommande

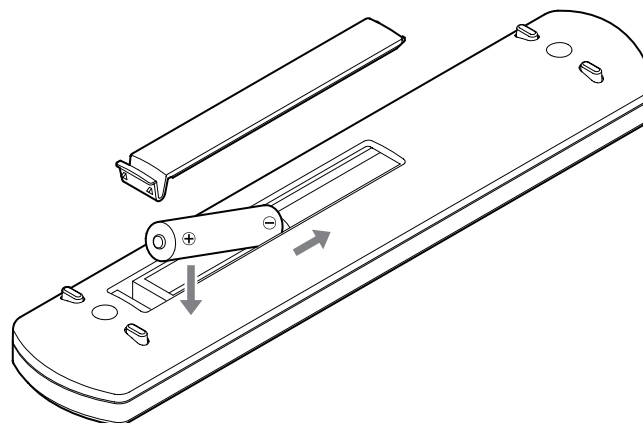
Précautions d'emploi

⚠ Un mauvais emploi des piles peut entraîner leur rupture ou leur fuite, avec pour conséquence un incendie, des blessures ou la salissure des objets proches. Veuillez attentivement lire et respecter les précautions en page 25.

- Pour utiliser la télécommande, pointez-la vers le capteur de télécommande de l'unité principale dans un rayon maximal de 5 m. Ne placez pas d'obstacles entre l'unité principale et la télécommande.
- La télécommande peut ne pas fonctionner si le capteur de signal de télécommande de l'unité est exposé à la lumière du soleil ou à une forte source lumineuse. Si cela se produit, essayez de déplacer l'unité.
- Sachez que l'emploi de cette télécommande peut entraîner le déclenchement involontaire d'opérations sur d'autres appareils contrôlables par rayons infrarouges.

Installation des piles

Ouvrez l'arrière de la télécommande et insérez deux piles AAA avec leurs pôles ⊕/⊖ orientés comme illustré. Remplacez le couvercle.

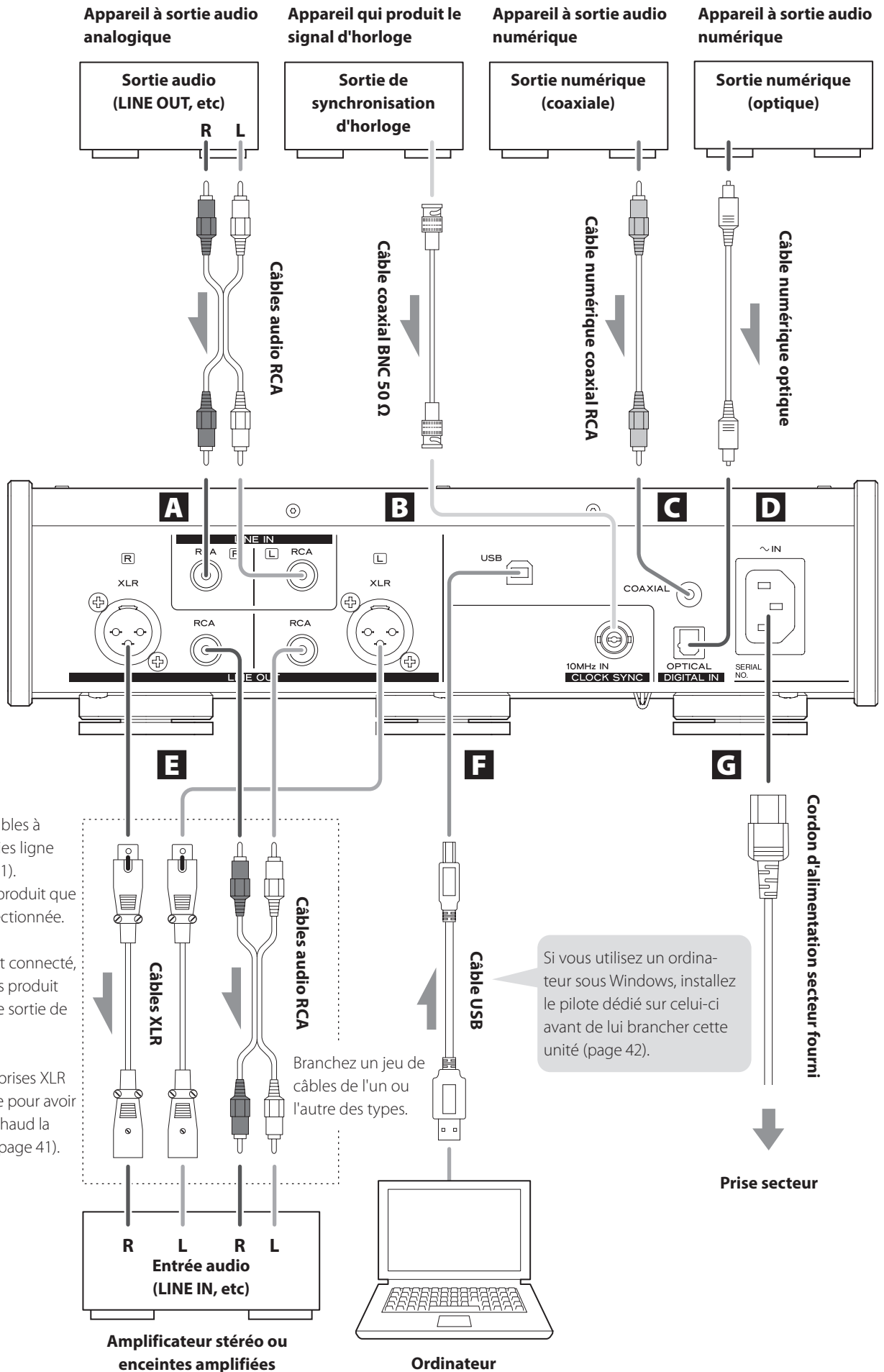


Quand faut-il remplacer les piles ?

Si la portée d'action de la télécommande diminue ou si l'unité principale cesse de répondre aux touches de la télécommande, remplacez les deux piles par des neuves.

Jetez les piles usagées conformément à leurs instructions ou aux directives établies par votre municipalité.

Branchements (face arrière)



Branchez les câbles à la paire de sorties ligne choisie (page 41). Le son ne sera produit que par la paire sélectionnée.

Si un casque est connecté, le son n'est plus produit par les prises de sortie de la face arrière.

La polarité des prises XLR peut être réglée pour avoir comme point chaud la broche 2 ou 3 (page 41).

Branchez un jeu de câbles de l'un ou l'autre des types.

Si vous utilisez un ordinateur sous Windows, installez le pilote dédié sur celui-ci avant de lui brancher cette unité (page 42).

A Prises d'entrée audio analogique (LINE IN)

Servent à recevoir l'audio analogique stéréo. Branchez-y les prises de sortie audio d'une platine-cassette, d'un lecteur de CD ou autre équipement à sortie audio.

Utilisez des câbles audio RCA du commerce pour les branchements.

Reliez la prise d'entrée R (droite) de cette unité à la prise de sortie R de l'appareil audio source, et la prise d'entrée L (gauche) de cette unité à la prise de sortie L de l'autre appareil.



B Prise d'entrée de synchro d'horloge (CLOCK SYNC 10MHz IN)

Faites entrer ici un signal de synchronisation (synchro d'horloge ou « Clock Sync »).

Pour recevoir le signal d'un oscillateur à 10 MHz (production d'une onde sinusoïdale), branchez ici la sortie de l'oscillateur.

- Pour le branchement, utilisez un câble coaxial BNC du commerce (50 Ω).
- La synchronisation d'horloge est possible quand l'USB est choisi comme source d'entrée.

C Prise d'entrée audio numérique coaxiale sur RCA (COAXIAL)

Sert à recevoir l'audio numérique. Branchez-y la prise de sortie audio numérique coaxiale d'un appareil audio numérique.

Pour le branchement, utilisez un câble numérique coaxial RCA du commerce.

D Prise d'entrée audio numérique optique (OPTICAL)

Sert à recevoir l'audio numérique. Branchez-y la prise de sortie audio numérique optique d'un appareil audio numérique.

Pour le branchement, utilisez un câble numérique optique du commerce.

E Prises de sortie audio analogique (LINE OUT)

Elles produisent 2 canaux d'audio analogique. Reliez ces prises XLR ou RCA à un amplificateur stéréo ou à des enceintes amplifiées.

Utilisez des câbles du commerce pour les branchements.

XLR : câbles XLR symétriques
RCA : câbles audio RCA

Reliez la prise R (droite) de cette unité à la prise R de l'amplificateur, et sa prise L (gauche) à la prise L de l'amplificateur.

- Voir « Sortie ligne » en page 41 pour les réglages de sortie analogique.

F Port USB

Sert à recevoir l'audio numérique d'un ordinateur. Reliez-la au port USB d'un ordinateur.

Pour le branchement, utilisez un câble USB 2.0 (type A-B) du commerce.

ATTENTION

Avant de brancher un ordinateur fonctionnant sous un système d'exploitation Windows, vous devez installer le pilote dédié sur l'ordinateur (page 42).

Une connexion correcte n'est pas possible avec un ordinateur sur lequel ce pilote n'a pas été installé.

G Prise d'entrée d'alimentation (~IN)

Branchez ici le cordon d'alimentation fourni.

Après avoir terminé tous les autres branchements, insérez la fiche du cordon d'alimentation dans une prise secteur.

⚠ N'utilisez que le cordon d'alimentation fourni. L'utilisation d'autres cordons d'alimentation peut entraîner un incendie ou un choc électrique. Débranchez le cordon de la prise secteur en cas de non-utilisation prolongée de l'unité.

⚠ Terminez tous les branchements avant de mettre l'unité sous tension.

- Lisez attentivement les modes d'emploi des appareils que vous branchez et suivez leurs instructions quand vous faites les branchements.
- Ne regroupez pas les câbles de connexion avec des cordons d'alimentation. Cela pourrait entraîner des bruits.
- Branchez à fond toutes les fiches.

Branchements (face avant)

Entrée audio numérique (OPT/COAX IN)

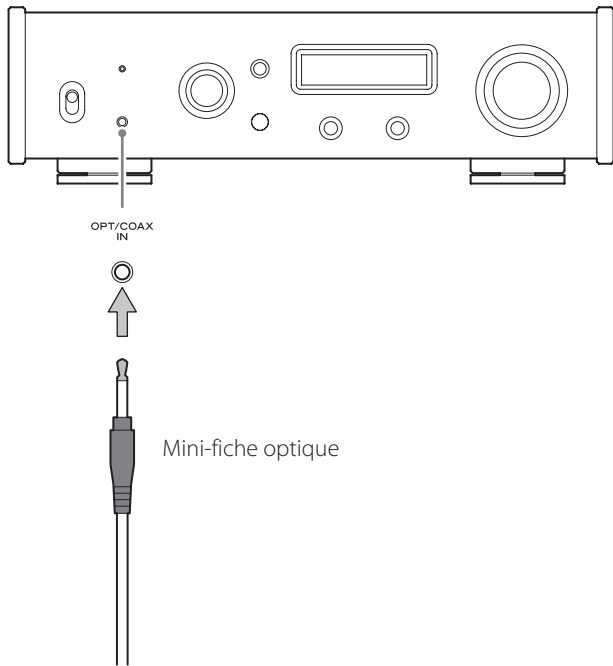
Cette prise d'entrée peut être utilisée aussi bien pour la connexion optique (OPT) que coaxiale (COAX).

Connexion optique (OPT)

Utilisez un **câble optique à mini-fiche du commerce**.

Pour activer cette entrée, tournez le bouton INPUT SELECTOR afin de sélectionner OPTf.

- Le « f » indique qu'il s'agit de la prise de la face avant.

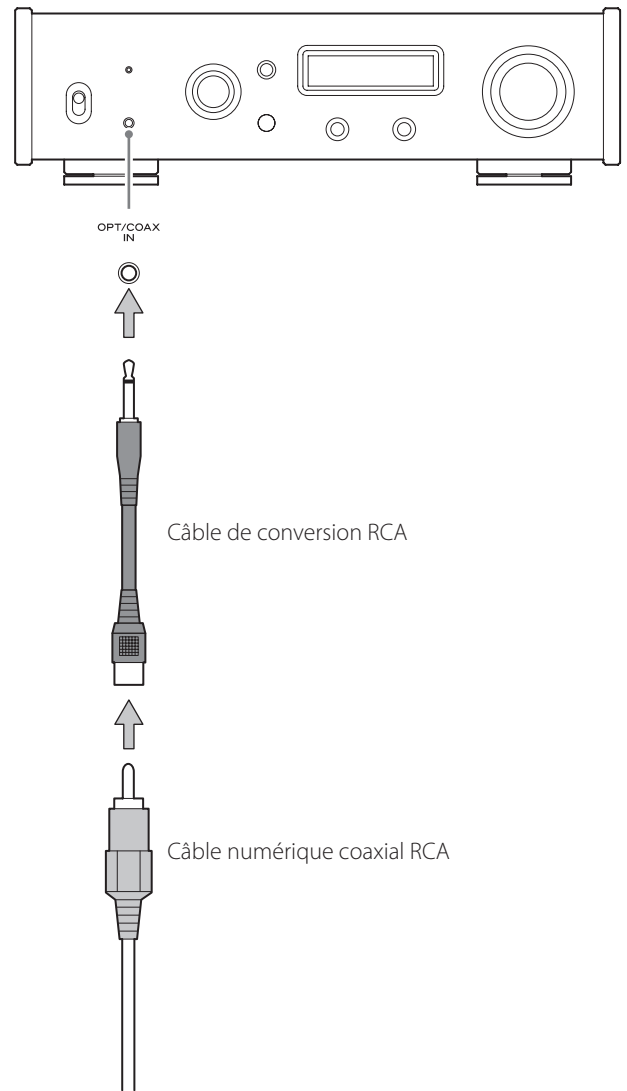


Connexion coaxiale (COAX)

Utilisez le câble de conversion RCA fourni et **un câble numérique coaxial RCA du commerce**.

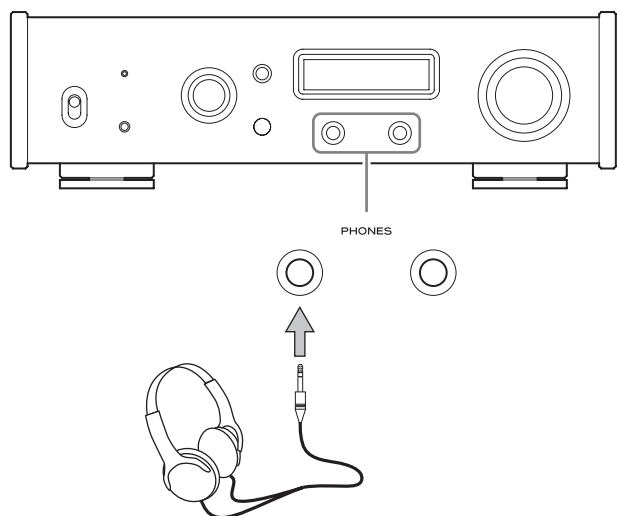
Pour activer cette entrée, tournez le bouton INPUT SELECTOR afin de sélectionner COAXf.

- Le « f » indique qu'il s'agit de la prise de la face avant.



Casque ordinaire (asymétrique)

Lorsque vous utilisez un casque asymétrique, réglez HEADPHONES sur STEREO (page 40).

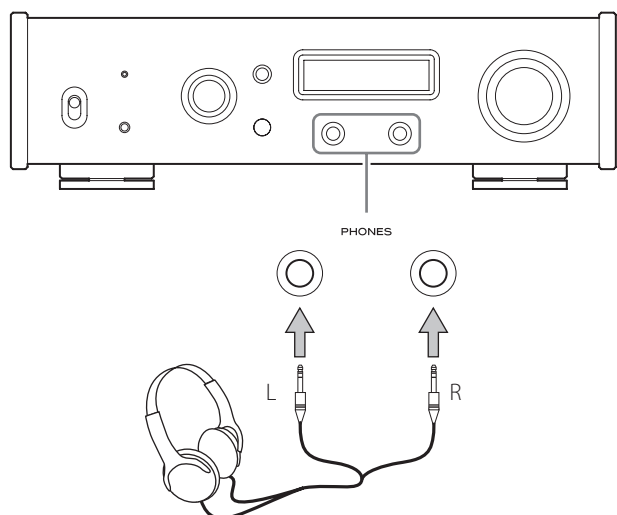


Branchez le casque à l'une ou l'autre des prises PHONES.

- Si vous branchez des casques aux deux prises, choisissez des casques de même impédance et de même rendement.
- Sachez, si vous utilisez en même temps deux casques ayant des rendements différents, que vous ne pouvez pas régler leurs volumes séparément.

Casque symétrique

Pour utiliser un casque symétrique, réglez HEADPHONES sur BALANCED ou ACTIVE GND (page 40).

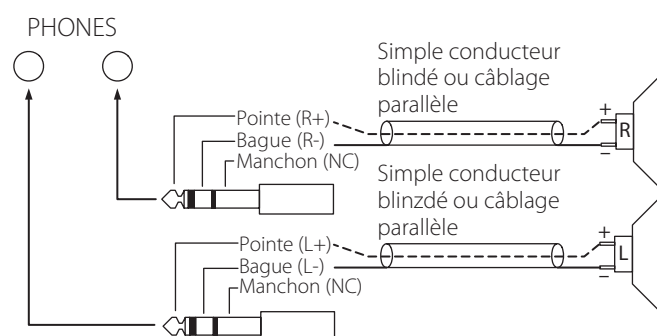
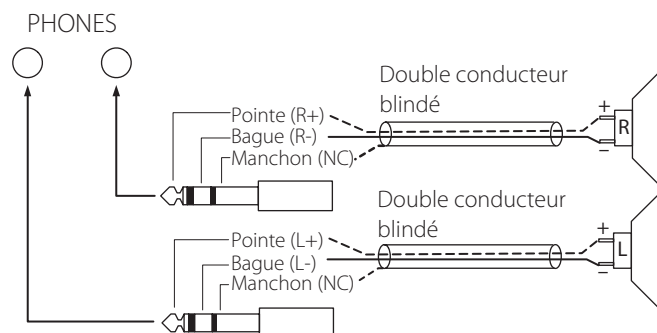


Branchez la fiche gauche (L) du casque à la prise gauche et la fiche droite (R) du casque à la prise droite.

- Les fiches du casque doivent être de type jack 6,35 mm standard.

Schéma de câblage

Les câblages suivants acceptent des casques utilisant une amplification symétrique.



ATTENTION

- Brancher une fiche mono court-circuitera un côté.
- En cas d'utilisation de fils blindés à double conducteur, ne branchez pas les blindages au casque.

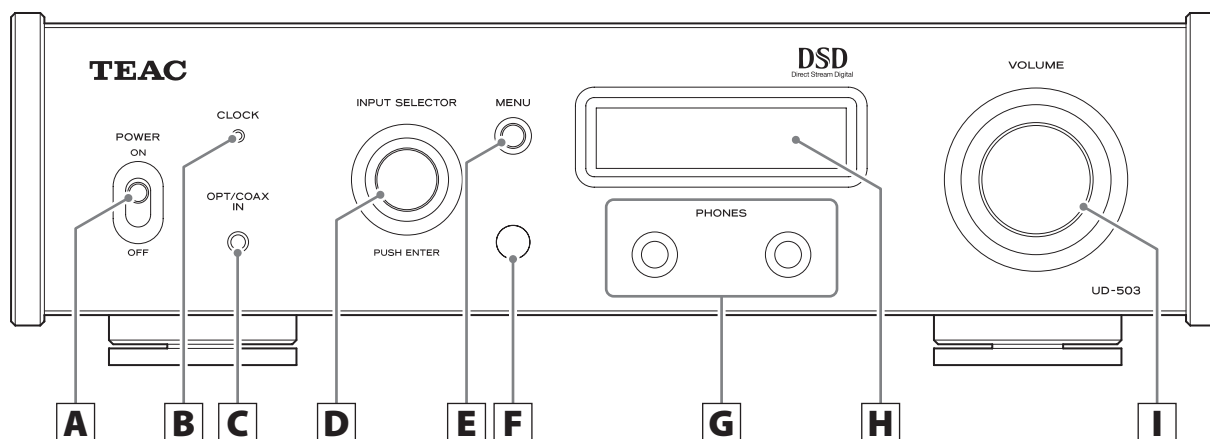
⚠ ATTENTION

N'allumez/n'éteignez pas l'unité et ne branchez/débranchez pas le casque quand vous portez ce dernier.

Cela pourrait entraîner un bruit fort et soudain risquant d'endommager votre audition.

Après avoir branché un casque à cette unité, réglez toujours le volume au minimum ($-\infty$ dB) avant de mettre le casque (page 38).

Nomenclature et fonctions des parties (unité principale)



A Interrupteur d'alimentation POWER

Sert à mettre l'unité sous et hors tension.

- Si l'écran reste sombre même après mise sous tension avec l'interrupteur d'alimentation POWER, une des raisons suivantes en est généralement la cause.
 - L'unité est sous tension, mais la luminosité de l'écran (DIMMER) est réglée sur OFF (page 41).
 - La fonction d'économie automatique d'énergie a fait passer l'unité en veille.
 - Le cordon d'alimentation est débranché.

Pour allumer l'unité, appuyez sur la touche STANDBY/ON de la télécommande, ou faites passer l'interrupteur d'alimentation POWER sur OFF avant de le ramener sur ON.

B Voyant CLOCK (horloge)

Affiche le statut de synchronisation d'horloge.

Allumé : L'unité est synchronisée avec le signal d'horloge reçu par la prise d'entrée CLOCK SYNC (10MHz IN).

Clignotant : Aucune horloge n'est reçue ou l'unité n'est pas en cours de synchronisation.

Éteint : Il n'y a aucune synchronisation d'horloge.

- Voir page 40 les réglages de synchronisation d'horloge.

C Entrée audio numérique (OPT/COAX IN)

Sert à recevoir l'audio numérique.

Connexion optique : utilisez un câble optique à mini-fiche.

Connexion coaxiale : utilisez le câble de conversion RCA fourni.

D Bouton INPUT SELECTOR

Sert à sélectionner la source d'entrée.

Sert à changer les valeurs de réglage quand un paramètre de menu est affiché.

Pressez-le pour l'utiliser comme touche de validation (ENTER).

Tournez-le lorsque le menu est ouvert pour changer de paramètre affiché ou modifier la valeur de réglage.

E Touche MENU

Appuyez sur cette touche pour passer en mode de réglage (page 39).

Appuyez en mode de réglage pour revenir à l'écran précédent.

F Capteur de signal de télécommande

Reçoit les signaux de la télécommande. Pour utiliser la télécommande, pointez-la vers le capteur de signal de télécommande.

G Prises PHONES

Branchez ici un casque à fiche jack 6,35 mm stéréo standard (page 33).

- Si un casque est branché à cette unité, l'audio ne sort plus par les prises de sortie audio analogique de la face arrière.

H Écran

Cet écran affiche des informations sur l'audio lu et les pages du menu.

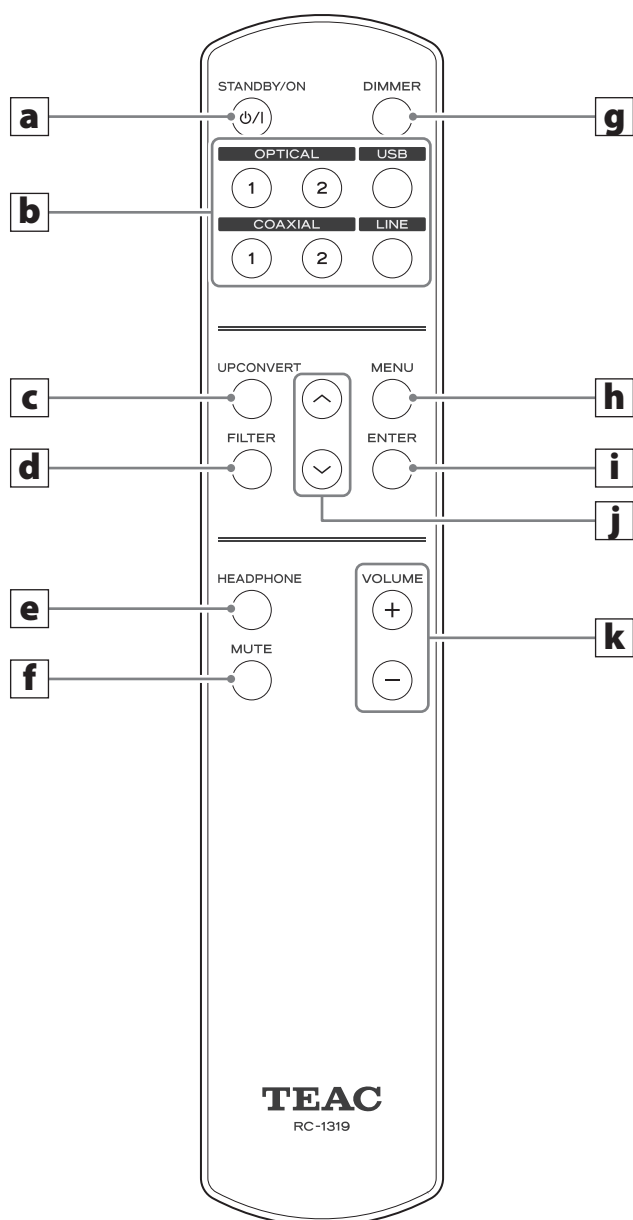
I Bouton VOLUME

Sert à régler le volume de sortie par le casque. Tournez-le vers la droite pour monter le volume et vers la gauche pour le baisser.

- Pour permettre le réglage du volume de sortie audio analogique de cette unité, réglez LINE OUT LEVEL (niveau de sortie ligne) sur VARIABLE (« Niveau de sortie ligne » en page 41). Cela permettra d'utiliser ce bouton VOLUME pour régler le niveau de sortie analogique.

- Les réglages de volume sont conservés séparément pour la sortie audio analogique et la sortie casque.

Nomenclature et fonctions des parties (télécommande)



Quand l'unité principale et la télécommande ont toutes les deux des touches ayant les mêmes fonctions, ce mode d'emploi explique comment utiliser l'une ou l'autre. La touche correspondante peut s'utiliser de la même façon.

a Touche **STANDBY/ON**

Appuyez sur cette touche pour mettre l'unité en veille ou pour l'allumer.

b Touches de sélection d'entrée

Servent à sélectionner la source de lecture.

c Touche **UPCONVERT**

Sert à changer le réglage de conversion ascendante.

d Touche **FILTER**

Sert à changer le réglage du filtre.
Cela modifie le filtre en fonction de l'entrée (PCM ou DSD).

e Touche **HEADPHONE**

Sert à changer le type de casque.

f Touche **MUTE**

Sert à couper le son.

g Touche **DIMMER**

Sert à régler la luminosité de l'écran de l'unité principale.

h Touche **MENU**

Appuyez sur cette touche pour passer en mode de réglage (page 39).
Appuyez en mode de réglage pour revenir à l'écran précédent.

i Touche **ENTER**

Appuyez sur cette touche pour valider la sélection du paramètre.

j Touches **Haut/Bas** (^/∨)

Servent à sélectionner les paramètres de réglage.

k Touches **VOLUME** (+/-)

Servent à régler le volume.

Affichage

À la mise sous tension



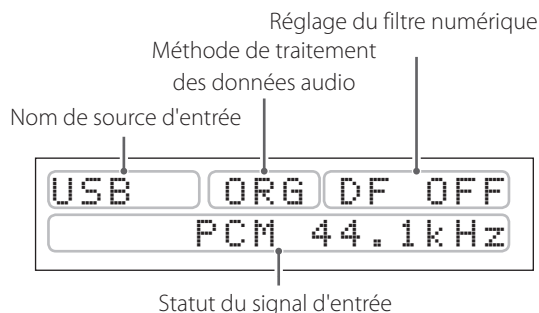
Après l'apparition des messages ci-dessus, la source d'entrée s'affiche à l'écran.

Affichage d'informations sur la source d'entrée

L'affichage d'informations sur la source d'entrée apparaîtra après la mise sous tension ainsi qu'après 10 secondes sans action alors qu'un écran de réglage est ouvert.

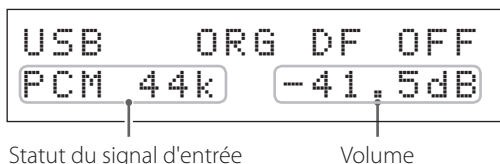
Exemple d'affichage

S'il n'y a pas de casque branché et si LINE OUT LEVEL est réglé sur FIX ou sur OFF



- Tourner le bouton VOLUME ne fera pas varier le volume.

Si un casque est branché ou si LINE OUT LEVEL est réglé sur VARIABLE



- Tourner le bouton VOLUME fera varier le volume et la valeur de celui-ci apparaîtra à droite de l'indication de statut du signal entrant.

Nom de source d'entrée

Affiche le nom de la source sélectionnée.

Les noms affichés correspondent aux connecteurs sélectionnés comme suit :

USB

Port USB

COAXf

Connexion coaxiale à la prise d'entrée audio numérique (OPT/COAX IN) de la face avant

COAX

Prise d'entrée audio numérique coaxiale RCA (COAXIAL) de la face arrière

OPTf

Connexion optique à la prise d'entrée audio numérique (OPT/COAX IN) de la face avant

OPT

Prise d'entrée audio numérique optique (OPTICAL) de la face arrière

LINE

Prises d'entrée audio analogique (LINE IN) de la face arrière

Méthodes de traitement des données audio

ORG

Le signal entrant d'origine est directement transmis au convertisseur N/A sans conversion.

2Fs

4Fs

8Fs

DSD

La conversion ascendante affichée sera utilisée (page 40).

DoP

Le signal DSD est reçu par méthode DoP (DSD par PCM).

Réglage du filtre numérique

Indique le réglage du filtre numérique (page 40).

Statut du signal d'entrée

Affiche le statut du signal de la source d'entrée.

UNLOCK!

L'unité ne peut pas se synchroniser sur le signal d'entrée.

NOT AUDIO!

Le signal reçu est à un format illisible.

UNCONNECTED!

Alors que l'USB a été choisi comme source d'entrée, aucun câble USB n'est branché à l'unité.

READY

L'USB a été choisi comme source d'entrée, mais aucun signal audio n'est reçu.

ANALOG

Les entrées audio analogiques ont été choisies comme sources d'entrée.

PCM 32kHz

PCM 44.1kHz

PCM 48kHz

PCM 88.2kHz

PCM 96kHz

PCM 128kHz

PCM 176.4kHz

PCM 192kHz

PCM 256kHz

PCM 352.8kHz

PCM 384kHz

DSD 2.8MHz

DSD 5.6MHz

DSD 11.2MHz

Ces indications donnent le type et la fréquence d'échantillonnage du signal entrant.

Affichage du volume

Le réglage du volume s'affichera lorsque vous tournerez le bouton VOLUME de cette unité.

Exemple d'affichage

Volume -60.0dB

Fonction de conversion ascendante

Vous pouvez utiliser la fonction de conversion ascendante avec l'entrée audio numérique (OPT/COAX) et l'entrée USB (page 40).

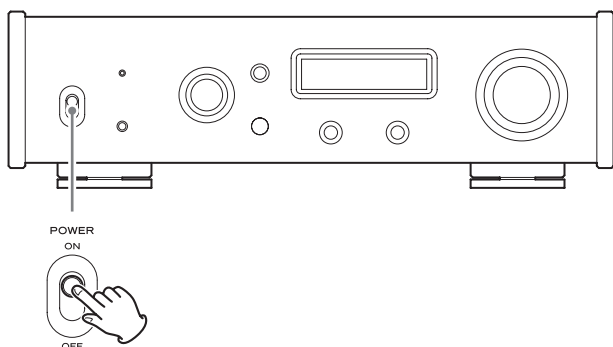
Les relations entre les fréquences d'échantillonnage en entrée et celles après conversion ascendante sont les suivantes.

| Source d'entrée | | Réglage de conversion ascendante | | | | |
|--------------------------------------|-------|---|-------|-------|-------|-------|
| Entrée audio numérique | USB | OFF | 2Fs | 4Fs | 8Fs | DSD |
| Fréquence d'échantillonnage d'entrée | | Fréquence d'échantillonnage après conversion ascendante | | | | |
| [kHz] | | [kHz] | | | | [MHz] |
| 32 | – | 32 | 64 | 128 | 256 | 8,0 |
| 44,1 | 44,1 | 44,1 | 88,2 | 176,4 | 352,8 | 11,2 |
| 88,2 | 88,2 | 88,2 | 88,2 | 176,4 | 352,8 | 11,2 |
| 176,4 | 176,4 | 176,4 | 176,4 | 176,4 | 352,8 | 11,2 |
| – | 352,8 | 352,8 | 352,8 | 352,8 | 352,8 | 11,2 |
| 48 | 48 | 48 | 96 | 192 | 384 | 12,2 |
| 96 | 96 | 96 | 96 | 192 | 384 | 12,2 |
| 192 | 192 | 192 | 192 | 192 | 384 | 12,2 |
| – | 384 | 384 | 384 | 384 | 384 | 12,2 |

Les valeurs signalées par une case restent inchangées.

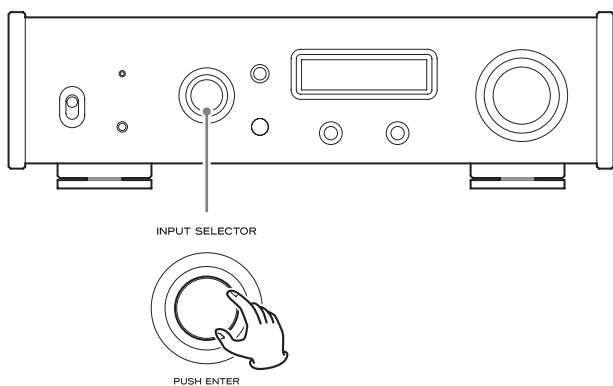
Fonctionnement de base

1 Basculez l'interrupteur d'alimentation POWER sur ON.



- Si un amplificateur stéréo est connecté à cette unité, allumez-le toujours en dernier.

2 Tournez le bouton INPUT SELECTOR pour choisir la source d'entrée.



La source sélectionnée s'affiche à l'écran.

- Vous pouvez aussi utiliser les touches Haut et Bas (^, v) de la télécommande.
- Si le signal entrant n'est pas un signal audio numérique ou est à un format non pris en charge par cette unité, comme du Dolby Digital, DTS ou AAC, « NOT AUDIO! » apparaît à l'écran et aucun signal audio n'est produit. Réglez la sortie numérique de l'appareil connecté pour produire un signal audio PCM.
- Pour employer un ordinateur fonctionnant sous système d'exploitation Windows afin de lire des fichiers audio quand cette unité est réglée sur USB, vous devez installer un pilote dédié sur l'ordinateur avant de les relier (page 42).
- Les données DSD ne peuvent être lues qu'en utilisant l'USB ou l'entrée numérique au format DoP.

3 Lancez la lecture sur l'appareil source.

Référez-vous au mode d'emploi de cet appareil.

4 Réglez le volume.

Quand les sorties ligne sont utilisées

Quand LINE OUT LEVEL (niveau de sortie ligne) est réglé sur VARIABLE, tournez le bouton VOLUME de cette unité pour régler le volume.

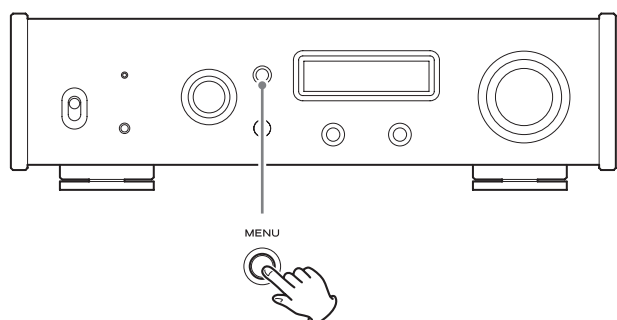
Lorsque LINE OUT LEVEL est réglé différemment, le volume ne peut pas être contrôlé depuis cette unité. Utilisez l'amplificateur stéréo ou un autre appareil connecté à cette unité pour régler le volume.

Quand un casque est connecté à cette unité

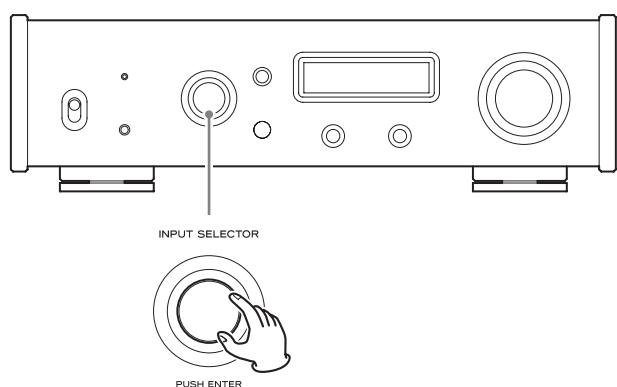
Tournez le bouton VOLUME de cette unité pour régler le volume.

- Quand le bouton VOLUME de cette unité est employé, le réglage de volume s'affiche.

- 1** Appuyez sur la touche MENU pour afficher les paramètres de réglage.

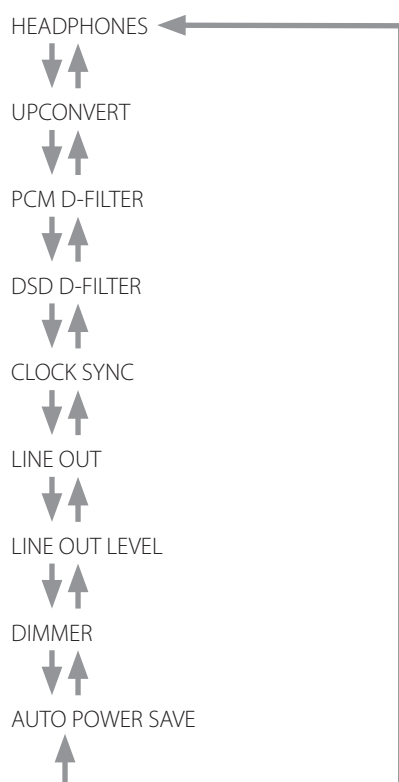


- 2** Tournez le bouton INPUT SELECTOR pour afficher le paramètre à modifier.

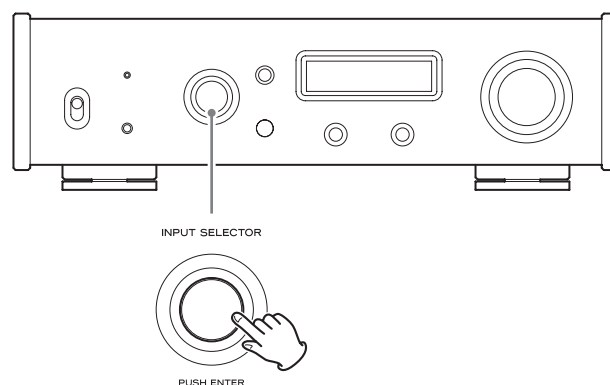


- Vous pouvez aussi utiliser les touches Haut et Bas (∧, ∨) de la télécommande.

Les paramètres de menu apparaissent dans l'ordre suivant.



- 3** Appuyez sur le bouton INPUT SELECTOR pour valider la sélection.

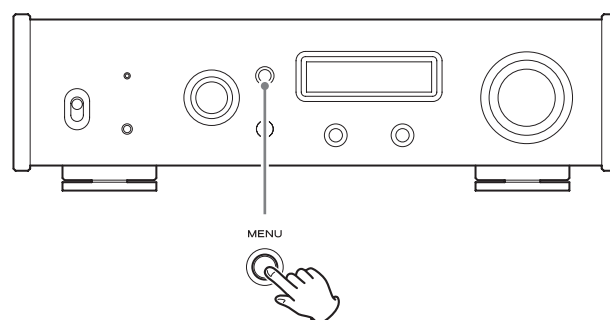


- Vous pouvez aussi appuyer sur la touche ENTER de la télécommande.
- La valeur actuellement réglée s'affiche à l'écran.

- 4** Tournez le bouton INPUT SELECTOR pour changer la valeur de réglage.

- Vous pouvez aussi utiliser les touches Haut et Bas (∧, ∨) de la télécommande.
- Appuyez sur la touche MENU pour revenir à la sélection de paramètre de réglage.

- 5** Quand vous avez fini de changer les réglages, appuyez sur la touche MENU pour réafficher le statut de source d'entrée.



- Si vous ne faites rien durant environ 10 secondes, l'écran retourne à l'affichage du statut de source d'entrée.

Réglages (suite)

Conversion ascendante

Sert à activer le circuit de conversion ascendante quand des signaux au format PCM sont reçus.

- Voir page 37 pour les relations entre les fréquences d'échantillonnage en entrée et celles après conversion ascendante.

```
*UPCONVERT  
> OFF
```

OFF

Le signal entrant d'origine est directement transmis au convertisseur N/A sans conversion.

2Fs

Si la fréquence d'échantillonnage du signal audio entrant est inférieure à 2 fois une valeur standard (32, 44,1 ou 48 kHz), elle bénéficie d'une conversion ascendante x2 avant l'envoi au convertisseur N/A.

4Fs

Si la fréquence d'échantillonnage du signal audio entrant est inférieure à 4 fois une valeur standard (32, 44,1 ou 48 kHz), elle bénéficie d'une conversion ascendante x4 avant l'envoi au convertisseur N/A.

8Fs

Si la fréquence d'échantillonnage du signal audio entrant est inférieure à 8 fois une valeur standard (32, 44,1 ou 48 kHz), elle bénéficie d'une conversion ascendante x8 avant l'envoi au convertisseur N/A.

DSD

La source d'entrée est convertie au format numérique DSD avant d'être envoyée au convertisseur N/A.

Filtre numérique PCM

Sert à régler le filtre numérique quand des signaux au format PCM sont reçus.

```
*PCM D-FILTER  
> OFF
```

OFF

Le filtre numérique est désactivé.

FIR SHARP

Un filtre FIR (RIF en français) à forte pente est utilisé pour réduire brutalement les signaux extérieurs à la bande audio.

FIR SLOW

Un filtre FIR (RIF en français) à pente douce est utilisé pour réduire progressivement les signaux extérieurs à la bande audio.

SDLY SHARP

Un filtre à court retard et à forte pente est utilisé pour réduire brutalement les signaux extérieurs à la bande audio.

SDLY SLOW

Un filtre à court retard et à pente douce est utilisé pour réduire progressivement les signaux extérieurs à la bande audio.

- Quand des signaux à 352,8 kHz ou 384 kHz sont reçus, le filtre numérique est désactivé durant la lecture quel que soit ce réglage.

Filtre numérique DSD

Sert à régler le filtre numérique quand des signaux au format DSD sont reçus.

```
*DSD D-FILTER  
> CUTOFF 150kHz
```

CUTOFF 50kHz

Fréquence de coupure de 50 Hz

CUTOFF 150kHz

Fréquence de coupure de 150 Hz

Synchronisation d'horloge

- La synchronisation d'horloge est possible quand l'USB est choisi comme source d'entrée.

```
*CLOCK SYNC  
> OFF
```

OFF

Aucune synchronisation d'horloge n'est utilisée.

ON

L'horloge maître de cette unité sera synchronisée sur l'horloge 10 MHz reçue par la prise d'entrée CLOCK SYNC (10MHz IN).

Réglages de casque

```
*HEADPHONES  
> STEREO
```

Faites ici les réglages adaptés au casque connecté (page 33).

STEREO

Casque asymétrique

BALANCED

Casque symétrique

Les casques symétriques fonctionnent avec une amplification différentielle.

Les pôles positif et négatif fonctionnent avec des polarités opposées.

ACTIVE GND

Casque symétrique

L'ampli agit pour que le pôle négatif d'un casque symétrique soit à 0V.

Pour le casque, les caractéristiques des sorties deviennent équivalentes.

Sortie ligne

```
*LINE OUT  
> RCA
```

Sert à sélectionner les prises d'où sortira l'audio analogique.

- La sortie ne peut pas se faire en même temps par les prises RCA et les prises XLR.

RCA

Sortie par les prises RCA.

XLR2

Sortie par les prises XLR avec point chaud sur la broche 2.

XLR3

Sortie par les prises XLR avec point chaud sur la broche 3.

Niveau de sortie ligne

```
*LINE OUT LEVEL  
> FIX 0dB
```

Sert à sélectionner le niveau aux prises de sortie audio analogique (LINE OUT).

FIX 0dB

La sortie maximale est de 2 Vrms. Choisissez ce réglage si vous souhaitez régler le volume à l'aide d'un amplificateur.

- Aucun son ne sortira si un casque est branché.

FIX +6dB

La sortie maximale est de 4 Vrms. Choisissez ce réglage si vous souhaitez régler le volume à l'aide d'un amplificateur.

- Aucun son ne sortira si un casque est branché.
- En cas de distorsion du son, choisissez le réglage FIX 0dB.

VARIABLE

Cela permettra d'utiliser le bouton VOLUME de cette unité pour régler le niveau de sortie analogique. Optez pour ce réglage si vous souhaitez utiliser cette unité pour régler le volume.

- Aucun son ne sortira si un casque est branché.

OFF

Aucun son n'est produit.

Luminosité de l'écran

```
*DIMMER  
> DIMMER 3
```

DIMMER 3

Luminosité ordinaire

DIMMER 2

Légèrement atténuée

DIMMER 1

Plus atténuée

OFF

Pas d'affichage

- L'écran reste éteint même quand l'unité est allumée.

Fonction d'économie automatique d'énergie

Cette unité a une fonction d'économie automatique d'énergie.

- La fonction d'économie automatique d'énergie est activée lorsque l'unité quitte l'usine.

```
*AUTO POWER SAVE  
> ON
```

OFF

La fonction d'économie automatique d'énergie est désactivée.

ON

L'unité passe automatiquement en veille s'il n'y a pas d'entrée audio lorsque la source d'entrée est réglée sur LINE ou si aucun signal entrant n'est verrouillé durant environ 30 minutes lorsque la source d'entrée est autre.

Lecture de musique sur un ordinateur

Installation du pilote sur un ordinateur

Cette unité peut être branchée à des ordinateurs ayant les systèmes d'exploitation suivants. Le fonctionnement avec d'autres systèmes d'exploitation n'est pas garanti (en date d'avril 2015).

Avec Mac OS

Le pilote fonctionne avec les versions de système d'exploitation suivantes.

- OS X Lion (10.7)
- OS X Mountain Lion (10.8)
- OS X Mavericks (10.9)
- OS X Yosemite (10.10)

Cette unité fonctionnera avec le pilote standard du système d'exploitation (OS), donc il n'y a pas besoin d'installer un pilote spécial.

Avec Windows

Le pilote fonctionne avec les versions de système d'exploitation suivantes.

- Windows 7 (32/64 bits)
- Windows 8 (32/64 bits)
- Windows 8.1 (32/64 bits)

Installation du pilote sur l'ordinateur

Pour lire au travers de cette unité des fichiers audio stockés sur un ordinateur, vous devez au préalable installer un pilote dédié sur l'ordinateur. Téléchargez le pilote dédié depuis le site mondial TEAC :

Site mondial TEAC

<http://teac-global.com/>

ATTENTION

Installez le pilote dédié avant de relier l'unité à l'ordinateur par USB.

Si vous connectez cette unité à l'ordinateur avant d'installer le pilote, elle ne fonctionnera pas correctement.

- Pour des instructions sur les procédures d'installation des pilotes, accédez à la page Downloads (téléchargements) du site mondial TEAC (<http://teac-global.com/>).
- Selon la combinaison ordinateur et logiciel, un bon fonctionnement peut ne pas être possible même avec les systèmes d'exploitation ci-dessus.

À propos du mode de transmission

Cette unité se connecte en mode asynchrone haute vitesse.

Les fréquences d'échantillonnage qui peuvent être transmises sont 44,1, 48, 88,2, 96, 176,4, 192, 352,8 et 384 kHz.

Quand la connexion est correcte, vous pouvez sélectionner « TEAC USB AUDIO DEVICE » comme sortie audio dans le système d'exploitation de l'ordinateur.

- En mode asynchrone, les données audio envoyées par l'ordinateur seront traitées à l'aide de l'horloge de cette unité, ce qui permet de réduire la gigue qui survient lors de la transmission des données.

Téléchargement de l'application de lecture TEAC HR Audio Player

Vous pouvez télécharger depuis le site mondial TEAC (<http://teac-global.com/>) des versions pour Mac et Windows de notre application gratuite TEAC HR Audio Player qui assure la lecture de fichiers DSD.

Note concernant le réglage de TEAC HR Audio Player

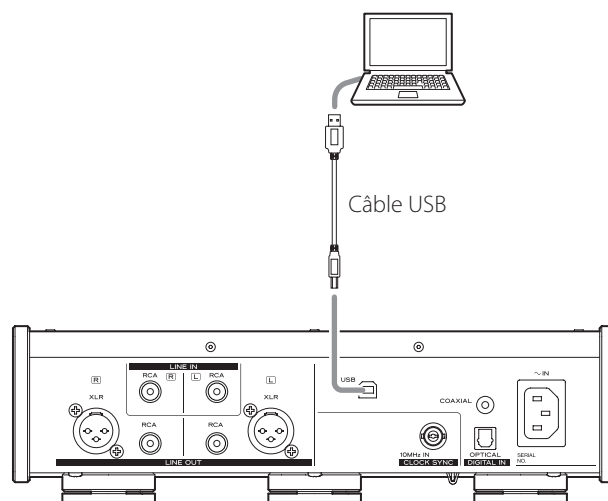
Pour lire des enregistrements DSD à 11,2 MHz avec TEAC HR Audio Player, ouvrez la fenêtre « Configurer » (configurer) et réglez « Decode mode » (mode de décodage) sur « DSD Native ».

Pour lire des formats autres que le DSD à 11,2 MHz, vous pouvez régler ce paramètre comme vous le souhaitez sur « DSD over PCM » ou « DSD Native ».

Pour plus de détails, reportez-vous à la section « Selecting DSD decoding mode » (sélection du mode de décodage DSD) dans le mode d'emploi du TEAC HR Audio Player.

Lecture de fichiers audio depuis un ordinateur

1 Branchez cette unité à l'ordinateur à l'aide d'un câble USB.

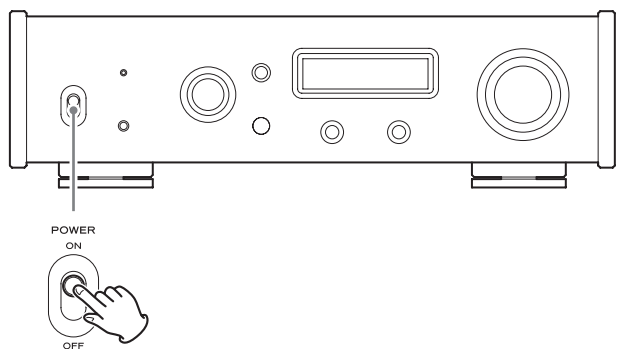


- Utilisez un câble ayant une fiche qui correspond à la prise de cette unité.

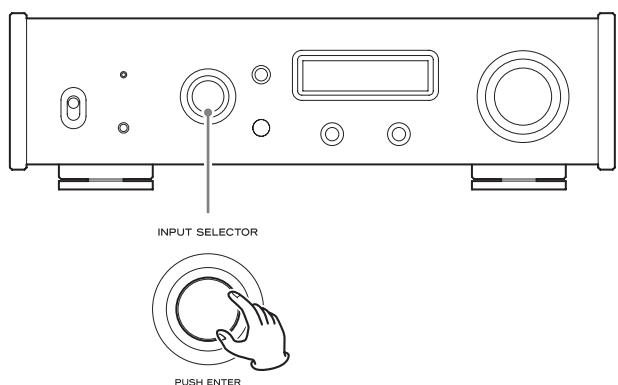
2 Mettez l'ordinateur sous tension.

- Vérifiez que son système d'exploitation a normalement démarré.

3 Basculez l'interrupteur d'alimentation POWER en position ON pour allumer l'unité.



4 Tournez le bouton INPUT SELECTOR afin de sélectionner USB.



5 Lancez la lecture d'un fichier audio sur l'ordinateur.

En réglant au maximum le volume de sortie de l'ordinateur et en ajustant le volume de sortie depuis l'amplificateur stéréo, une meilleure qualité sonore peut être obtenue.

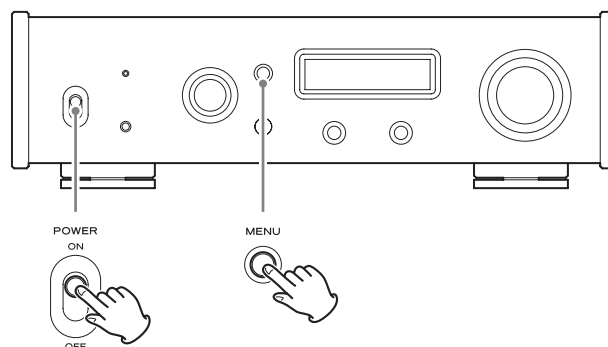
Réduisez au minimum le volume de l'amplificateur stéréo avant de commencer la lecture. Ensuite, montez-le progressivement.

Si vous avez branché un casque à cette unité, tournez le bouton VOLUME dans le sens antihoraire pour réduire le volume au minimum avant de mettre le casque. Ensuite, montez-le progressivement.

- L'ordinateur et cette unité ne peuvent pas se contrôler l'un l'autre.
- N'essayez aucune des opérations suivantes pendant la lecture d'un fichier audio par USB. Cela pourrait entraîner un mauvais fonctionnement de l'ordinateur. Quittez toujours le logiciel de lecture audio avant d'entamer une des actions suivantes.
 - Débrancher le câble USB
 - Éteindre cette unité
 - Changer la sélection d'entrée actuelle
- Lors de la lecture d'un fichier audio par USB, les sons du système de l'ordinateur seront aussi produits. Si vous ne souhaitez pas que ces sons soient produits, faites les réglages appropriés sur l'ordinateur pour les couper.
- Si vous branchez cette unité à l'ordinateur ou si vous réglez son entrée sur USB après avoir lancé le logiciel de lecture audio, les fichiers audio peuvent ne pas être lus correctement. Si cela se produit, faites redémarrer le logiciel de lecture audio ou l'ordinateur.

Restauration des réglages par défaut

En maintenant pressée la touche MENU, basculez l'interrupteur d'alimentation POWER sur ON.



- Relâchez la touche MENU quand le message « SETUP CLEAR » (effacement de la configuration) s'affiche à l'écran.

Les réglages d'usine par défaut sont les valeurs de réglage qui apparaissent dans les images d'écran employées par ce mode d'emploi.

Guide de dépannage

Si vous rencontrez un problème avec l'unité, veuillez prendre un moment pour lire les informations suivantes avant de solliciter une réparation. Si cette unité ne fonctionne toujours pas correctement, contactez le revendeur chez qui vous l'avez achetée.

Générales

L'unité ne s'allume pas.

- ➔ Vérifiez que le cordon d'alimentation est enfoncé à fond dans la prise secteur. Si la prise a un commutateur, vérifiez que celui-ci est en position ON.
- ➔ Branchez un autre appareil électrique à la prise pour vérifier qu'elle fournit bien du courant.
- ➔ Si la fonction d'économie automatique d'énergie a fait passer l'unité en veille, appuyez sur la touche STANDBY/ON de la télécommande pour rallumer l'unité.

Aucun son n'est produit.

- ➔ Si un amplificateur stéréo est branché à cette unité, réglez son volume.
- ➔ Si vous utilisez un casque branché à cette unité, employez le bouton VOLUME pour régler le volume.
- ➔ Avec le bouton INPUT SELECTOR, sélectionnez l'entrée à laquelle est branchée la source que vous désirez entendre.
- ➔ Revérifiez les branchements aux autres équipements.

Il y a un bruit de ronflement.

- ➔ Si un câble de liaison est proche d'un cordon d'alimentation, d'un éclairage fluorescent ou d'une cause de parasites similaire, écartez-les autant que possible l'un de l'autre.

Il n'y a pas de son d'un côté du casque.

- ➔ Vérifiez que la fiche du casque est enfoncée à fond.

Le son n'est pas en stéréo dans le casque.

- ➔ Vérifiez que le paramètre HEADPHONES est réglé sur STEREO.

Synchronisation d'horloge

Le voyant CLOCK ne cesse pas de clignoter.

- ➔ Réglez l'horloge de synchronisation sur OFF lorsque vous ne l'utilisez pas.
- ➔ La synchronisation avec le signal d'horloge entrant peut ne pas être possible. Vérifiez les connexions des prises de synchro d'horloge et les réglages de l'appareil connecté.

Branchements à un ordinateur

L'ordinateur ne reconnaît pas cette unité.

- ➔ Cette unité peut être branchée à des ordinateurs ayant les systèmes d'exploitation suivants. Le fonctionnement avec d'autres systèmes d'exploitation n'est pas garanti (en date d'avril 2015).

Mac OS

OS X Lion (10.7)
OS X Mountain Lion (10.8)
OS X Mavericks (10.9)
OS X Yosemite (10.10)

- Cette unité peut être utilisée avec le pilote standard du système d'exploitation.

Windows

Windows 7 (32/64 bits)
Windows 8 (32/64 bits)
Windows 8.1 (32/64 bits)

- Nécessite l'installation d'un pilote dédié (page 42).

Du bruit se produit.

- ➔ Lancer d'autres applications durant la lecture d'un fichier musical peut interrompre la lecture ou causer du bruit. Ne lancez pas d'autres applications durant la lecture. Quand l'unité est branchée à un ordinateur via un concentrateur (hub) USB, par exemple, du bruit peut être entendu. Si cela se produit, branchez l'unité directement à l'ordinateur.

Les fichiers audio ne peuvent pas être lus.

- ➔ Branchez cette unité à l'ordinateur et réglez son entrée sur USB avant de lancer le logiciel de lecture audio. Si vous branchez cette unité à l'ordinateur ou si vous réglez son entrée sur USB après avoir lancé le logiciel de lecture audio, les fichiers musicaux peuvent ne pas être lus correctement.

Comme cette unité utilise un microcontrôleur, du bruit ou d'autres interférences externes peuvent entraîner son mauvais fonctionnement. Si cela se produit, débranchez le cordon d'alimentation, attendez un instant puis rallumez l'unité et relancez les opérations.

Sorties audio analogiques

| | |
|--|--|
| Connecteurs..... | Prises XLR × 1 paire Prises RCA × 1 paire |
| Impédance de sortie..... | XLR: 188 Ω RCA: 150 Ω |
| Niveau maximal de sortie (1 kHz, pleine échelle, sous 10 kΩ) | |
| FIX 0dB..... | XLR/RCA: 2,0 Vrms |
| FIX +6dB..... | XLR/RCA: 4,0 Vrms |
| VARIABLE..... | XLR: 12 Vrms RCA: 6 Vrms |
| Réponse en fréquence..... | 5 Hz – 80 kHz (+1 dB/–3 dB) |
| Rapport signal/bruit..... | 110 dB (pondération A, 1 kHz) |
| Distorsion..... | 0,0015 % (1 kHz, filtre passe-bas: 20 Hz – 20 kHz) |

Sorties casque

| | |
|-----------------------------------|---|
| Connecteurs..... | Jack 6,35 mm stéréo standard × 2 |
| Puissance maximale efficace | |
| STEREO | 500 mW + 500 mW (un casque sous 32 Ω) 350 mW + 350 mW (deux casques sous 32 Ω) |
| BALANCED | 700 mW + 700 mW (sous 32 Ω) |
| Plage d'impédance compatible..... | 16–600 Ω |

Entrées audio analogiques

| | |
|---------------------------|----------------------|
| Connecteurs..... | Prises RCA × 1 paire |
| Impédance d'entrée..... | 51 kΩ |
| Sensibilité d'entrée..... | 130 mV |

Entrées audio numériques

| | |
|---|--|
| Numérique COAXIAL..... | Prise RCA × 1 Prise mini-jack 3,5 mm × 1 (Connexion par fiche mini-jack 3,5 mm possible avec câble adaptateur RCA/mini-jack 3,5 mm) (0,5 Vc-c, 75 Ω) |
| Numérique OPTICAL..... | Prise rectangulaire × 1 Prise mini-jack 3,5 mm × 1 (–24,0 à –14,5 dBm en crête) |
| USB..... | Connecteur de type B × 1 (conforme USB 2.0) |
| Fréquence d'échantillonnage des données PCM | |
| Numérique COAXIAL | 32 kHz, 44,1 kHz, 48 kHz, 88,2 kHz, 96 kHz, 176,4 kHz, 192 kHz |
| Numérique OPTICAL | 32 kHz, 44,1 kHz, 48 kHz, 88,2 kHz, 96 kHz, 176,4 kHz, 192 kHz |
| USB..... | 44,1 kHz, 48 kHz, 88,2 kHz, 96 kHz, 176,4 kHz, 192 kHz, 352,8 kHz, 384 kHz |

Résolution de quantification en bits

| | |
|---|--|
| Numérique COAXIAL/numérique OPTICAL..... | 16/24 bits |
| USB..... | 16/24/32 bits |
| Fréquence d'échantillonnage des données DSD | |
| USB..... | 2,8 MHz, 5,6 MHz, 11,2 MHz |
| Numérique COAXIAL/numérique OPTICAL..... | 2,8 MHz (pour transmission DoP 176,4 kHz/24 bits) |

Entrée d'horloge de synchronisation

| | |
|---|---|
| Connecteur..... | BNC |
| Fréquence d'échantillonnage d'entrée..... | 10 MHz |
| Impédance d'entrée..... | 50 Ω |
| Niveau d'entrée..... | Onde rectangulaire: équivalente aux niveaux TTL Onde sinusoïdale: 0,5 à 1,0 Vrms |

Générales

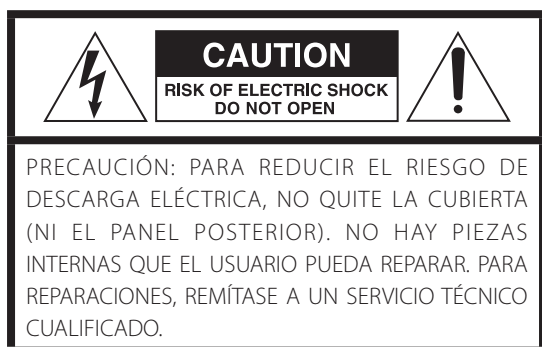
| | |
|------------------------------------|--|
| Alimentation électrique | |
| Modèle Europe..... | CA 220–240 V, 50 Hz |
| Modèle USA/Canada..... | CA 120 V, 60 Hz |
| Consommation électrique..... | 16 W |
| Alimentation en veille..... | 0,4 W |
| Dimensions externes..... | 290 mm × 84,5 mm × 248,7 mm (L × H × P hors tout) |
| Poids..... | 4,2 kg |
| Température de fonctionnement..... | +5°C à +35°C |
| Hygrométrie de fonctionnement..... | 5 à 85 % (sans condensation) |
| Température de stockage..... | –20°C à +55°C |

Accessoires fournis

| |
|---|
| Cordon d'alimentation × 1 |
| Câble de conversion (RCA vers mini-jack) × 1 |
| Télécommande (RC-1319) × 1 |
| Piles pour télécommande (AAA) × 2 |
| Mode d'emploi (ce document) × 1 |
| Carte de garantie × 1 (pour les utilisateurs aux USA et au Canada uniquement) |
| Patins × 3 |

- Conception et caractéristiques techniques sont sujettes à modifications sans préavis.
- Le poids et les dimensions sont des valeurs approchées.
- Les illustrations de ce mode d'emploi peuvent légèrement différer des modèles de production.

INSTRUCCIONES DE SEGURIDAD IMPORTANTES



El símbolo del rayo acabado en flecha dentro de un triángulo equilátero alerta al usuario de la presencia de un "voltaje peligroso" sin aislar dentro de la carcasa del producto que puede ser de magnitud suficiente como para constituir riesgo de descarga eléctrica para las personas.



El signo de exclamación dentro de un triángulo equilátero alerta al usuario de la presencia de importantes instrucciones de funcionamiento y mantenimiento en la literatura que acompaña al aparato.

ADVERTENCIA: PARA EVITAR RIESGO DE INCENDIO O DESCARGAS ELÉCTRICAS, NO EXPONGA ESTE APARATO A LA LLUVIA NI A LA HUMEDAD.

PRECAUCIÓN

- NO quite las carcasas externas ni deje al aire la electrónica. ¡EN EL INTERIOR NO HAY PIEZAS QUE EL USUARIO PUEDA MANIPULAR!
- SI EXPERIMENTA PROBLEMAS CON ESTE PRODUCTO, PÓNGASE EN CONTACTO CON EL ESTABLECIMIENTO DONDE ADQUIRIÓ LA UNIDAD PARA SOLICITAR SERVICIO TÉCNICO. NO UTILICE EL APARATO HASTA QUE HAYA SIDO REPARADO.
- EL USO DE CONTROLES, AJUSTES O PROCEDIMIENTOS QUE NO SEAN LOS ESPECIFICADOS EN ESTE MANUAL PUEDE CAUSAR EXPOSICIÓN A RADIACIONES PELIGROSAS.

- 1) Lea estas instrucciones.
 - 2) Conserve estas instrucciones.
 - 3) Tenga en cuenta todas las advertencias.
 - 4) Siga todas las instrucciones.
 - 5) No utilice este aparato cerca del agua.
 - 6) Límpielo sólo con un paño seco.
 - 7) No bloquee ninguna abertura de ventilación. Instálelo de acuerdo con las instrucciones del fabricante.
 - 8) No lo instale cerca de ninguna fuente de calor como por ejemplo radiadores, estufas u otros aparatos (incluidos amplificadores) que produzcan calor.
 - 9) No ignore el propósito de seguridad de los enchufes de tipo polarizado o con toma de tierra. Un enchufe polarizado tiene dos patillas, una más ancha que la otra. Un enchufe con toma de tierra tiene dos patillas y una tercera punta que es la tierra. La patilla ancha o la tercera punta tienen por objeto la seguridad. Si el enchufe suministrado no vale para su toma de corriente, consulte a un electricista para que reemplace la toma de corriente obsoleta.
 - 10) Proteja el cable de corriente para que no se pueda pisar ni aplastar, principalmente las clavijas del enchufe y el punto donde se conecta al aparato.
 - 11) Utilice sólo accesorios o dispositivos acoplados especificados por el fabricante.
 - 12) Úselo solamente con el carro, soporte, trípode, sujeciones o mesa especificados por el fabricante o vendidos con el aparato. Si utiliza un carro, lleve cuidado al mover la combinación carro/aparato para evitar que vuelque.
 - 13) Desenchufe este aparato de la corriente durante las tormentas con fenómenos eléctricos o si no se va a usar en un largo periodo de tiempo.
 - 14) Para cualquier reparación remítase a personal cualificado. Es necesario remitirse a un servicio técnico siempre que el aparato haya sufrido cualquier tipo de daño, como deterioro del cable de corriente o su enchufe, que haya entrado líquido o cualquier objeto en el aparato, que el aparato haya estado expuesto a lluvia o a humedad, que no funcione normalmente o que se haya caído.
- Este aparato libera corriente nominal no válida para el funcionamiento a través de la toma de corriente, aún cuando el interruptor de encendido y activación (POWER o STANDBY/ON) no esté en la posición de encendido (ON).
 - El enchufe que se conecta a la red es el dispositivo de desconexión, por lo que deberá permanecer siempre en perfecto estado de uso.
 - Deberá llevar cuidado si utiliza auriculares con este producto, ya que una excesiva presión sonora (volumen) procedente de los mismos puede causar pérdidas de audición.



PRECAUCIÓN

- No exponga este aparato a salpicaduras ni goteras.
- No coloque objetos que contengan líquidos, como por ejemplo jarrones, sobre el aparato.
- No instale este aparato en lugares cerrados tales como estanterías o similares.
- Este aparato debe situarse lo suficientemente cerca de una toma de electricidad como para poder alcanzar fácilmente el cable de corriente en cualquier momento.
- Si el producto utiliza pilas o baterías (esto incluye las pilas instaladas y los "packs" de pilas), se evitará su exposición directa al sol, al fuego o a cualquier otra fuente de calor excesivo.
- **PRECAUCIÓN** con los productos que emplean baterías de litio reemplazables: existe peligro de explosión si la batería se reemplaza por otra de tipo incorrecto. Reemplácela sólo por otra igual o de tipo equivalente.

AVISO

Los productos con construcción de Clase I están equipados con un cable de alimentación que incluye toma de tierra. Los cables de estos productos deben conectarse a enchufes de corriente con protección de toma de tierra.

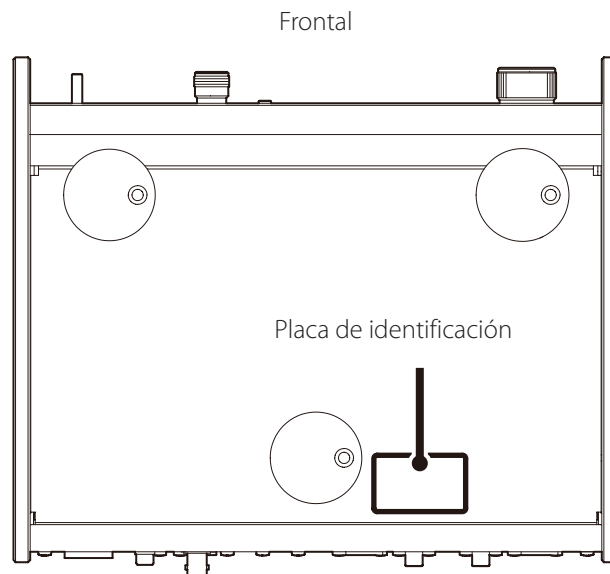
EN EE. UU./CANADÁ, UTILICE SOLO ALIMENTACIÓN CON CORRIENTE DE 120 V.

⚠ Precauciones con respecto a las pilas

Un mal uso de las pilas puede hacer que se rompan o que tengan fugas, y ello causar fuego, lesiones u oxidación en los objetos cercanos. Por favor, lea y observe las siguientes precauciones cuidadosamente.

- Asegúrese de introducir las pilas con la correcta orientación de los polos positivo (⊕) y negativo (⊖).
- Use pilas del mismo tipo. Nunca utilice juntas pilas de tipos diferentes.
- Si no va a utilizar el mando a distancia durante mucho tiempo (más de un mes), quite las pilas para evitar que se sulfaten y tengan fugas.
- Si las pilas presentan fugas, limpie el líquido que haya caído en el compartimento y sustituya las pilas por otras nuevas.
- No utilice pilas que no sean del tipo especificado. No mezcle pilas nuevas con viejas ni utilice juntas pilas de tipos distintos.
- No caliente ni desarme las pilas. Nunca tire pilas al fuego ni al agua.
- No transporte ni almacene pilas con otros objetos metálicos. Las pilas podrían producir cortocircuitos, perder líquido o explotar.
- Nunca recargue una pila si no está completamente seguro de que es una pila recargable.

La placa de identificación está situada en la parte inferior de la unidad como muestra la ilustración.



"DSD" is a registered trademark.

Windows is either registered trademark or trademark of Microsoft Corporation in the United States and/or other countries.

Mac, Mac OS and OS X are trademarks of Apple Inc., registered in the U.S. and other countries.

Los nombres de otras compañías y de productos que aparecen en este documento son marcas comerciales o registradas de sus respectivos propietarios.

INSTRUCCIONES DE SEGURIDAD IMPORTANTES (continuación)

Modelo para EE. UU.

Se ha comprobado que este equipo cumple con los límites establecidos para los dispositivos digitales de Clase B, de acuerdo con el apartado 15 de las Normas de la FCC. Estos límites están diseñados para proporcionar una protección razonable contra interferencias perjudiciales en instalaciones residenciales. Este equipo genera, utiliza y puede irradiar energía de radiofrecuencia y, si no se instala y se utiliza de acuerdo con las instrucciones, puede causar interferencias perjudiciales en las comunicaciones por radio. Sin embargo, no se puede garantizar que dichas interferencias no se produzcan en instalaciones particulares. Si este equipo causa interferencias perjudiciales en la recepción de radio o televisión, que se comprueban apagando y encendiendo el equipo, se recomienda al usuario que intente corregirlas mediante una o varias de las siguientes medidas:

- Reoriente o recolocque el equipo y/o la antena receptora.
- Aumente la separación entre el equipo y el receptor.
- Conecte el equipo a una toma de electricidad situada en un circuito eléctrico diferente al del receptor.
- Consulte al distribuidor o solicite ayuda a un técnico de radio/TV con experiencia.

Declaración de conformidad

Parte responsable:
TEAC AMERICA, INC.

Dirección: 1834 Gage Road, Montebello, California, U.S.A.
Número de teléfono: 1-323-726-0303

Este dispositivo cumple con el apartado 15 de las Normas de la FCC. Su funcionamiento está sujeto a las dos siguientes condiciones:

- 1) Este dispositivo no puede causar interferencias.
- 2) Este dispositivo debe aceptar cualquier interferencia recibida, incluyendo aquellas que puedan producir un funcionamiento no deseado.



Modelo para Europa

DECLARACIÓN DE CONFORMIDAD

We, TEAC AUDIO EUROPE, Liegnitzer Straße 6, 82194 Gröbenzell, Alemania, declara bajo su plena responsabilidad que el producto TEAC descrito en este manual cumple con las normas técnicas correspondientes.



PRECAUCIÓN

Cualquier cambio o modificación efectuada en este equipo que no haya sido expresamente aprobada por la parte responsable del cumplimiento de los requisitos exigidos podría invalidar el derecho del usuario a utilizar el equipo.

Para consumidores europeos Deshacerse de aparatos eléctricos o electrónicos y pilas y/o acumuladores

- a) Todos los aparatos eléctricos y electrónicos, al igual que las pilas/acumuladores gastados, deben ser eliminados separados del resto de basura común y únicamente en los "puntos limpios" o bajo los procedimientos especificados por el gobierno o autoridades municipales locales.
- b) Con la eliminación correcta de los equipos eléctricos o electrónicos y de las pilas/acumuladores gastados estará ayudando a conservar recursos muy valiosos y a evitar los posibles efectos negativos en la salud humana y en el medio ambiente.
- c) La eliminación incorrecta de los equipos eléctricos o electrónicos y de las pilas/acumuladores gastados puede producir efectos muy dañinos en el medio ambiente y en la salud humana a causa de las sustancias peligrosas que pueden encontrarse en estos equipos.
- d) El símbolo de Eliminación de Aparatos Eléctricos y Electrónicos (WEEE en inglés), identificado por un cubo de basura con ruedas tachado, indica que los equipos eléctricos o electrónicos y las pilas/acumuladores gastados deben ser eliminados de forma totalmente independiente con respecto a la basura doméstica. Si una pila o un acumulador contienen más cantidad de los valores especificados de plomo (Pb), mercurio (Hg), y/o cadmio (Cd) según está definido en la Directiva relativa a las pilas (2006/66/EC), entonces los símbolos químicos correspondientes a estos elementos estarán indicados debajo del símbolo WEEE.
- e) Existen sistemas para la eliminación y recogida a disposición del usuario final. Si necesita más información acerca de la forma de deshacerse de aparatos eléctricos o electrónicos antiguos y pilas/acumuladores gastados, póngase en contacto con su Ayuntamiento, con la correspondiente empresa del servicio de recogida de residuos o con el establecimiento en el que adquirió ese aparato.



Pb, Hg, Cd

Índice

Gracias por elegir TEAC.

Lea esta manual atentamente para obtener el mejor rendimiento de esta unidad. Después de leerlo, guárdelo en un lugar seguro junto con la tarjeta de la garantía para futuras consultas.

| | |
|---|----|
| INSTRUCCIONES DE SEGURIDAD IMPORTANTES | 46 |
| Accesorios incluidos | 49 |
| Antes de su utilización | 50 |
| Mantenimiento | 51 |
| Web global de TEAC | 51 |
| Registro del producto | 51 |
| Utilización del mando a distancia | 51 |
| Conexiones (panel posterior) | 52 |
| Conexiones (panel frontal) | 54 |
| Conexión de unos auriculares | 55 |
| Nombres y funciones de las partes (unidad principal) | 56 |
| Nombres y funciones de las partes (mando a distancia) | 57 |
| Pantalla | 58 |
| Función de sobreconversión | 59 |
| Funcionamiento básico | 60 |
| Ajustes de configuración | 61 |
| Reproducción de música en un ordenador | 64 |
| Restaurar los ajustes predeterminados | 65 |
| Solución de posibles fallos | 66 |
| Especificaciones | 67 |

Accesorios incluidos

Asegúrese de que la caja contiene todos los accesorios descritos a continuación.

Por favor, póngase en contacto con el establecimiento donde adquirió esta unidad si falta alguno de estos accesorios o si alguno de ellos ha resultado dañado durante el transporte.

Cable de corriente × 1

Cable de conversión RCA (RCA a miniconector) × 1

Mando a distancia (RC-1319) × 1

Pilas para el mando a distancia (AAA) × 2

Manual del usuario (este documento) × 1

- Guarde este manual en un lugar seguro para futuras consultas.

Tarjeta de garantía × 1 (solo para usuarios de EE. UU. y Canadá)

- Los usuarios de Europa y otros países y zonas deben consultar la contraportada de este documento para obtener información sobre la garantía.

Almohadillas × 3

ES

Antes de su utilización

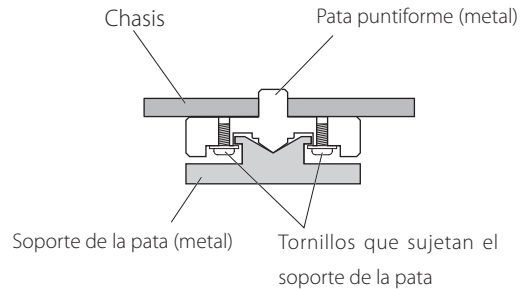
⚠ Precauciones de emplazamiento

- No instale esta unidad en un lugar donde pueda calentarse. Esto incluye lugares expuestos a la luz solar directa o cerca de un radiador, calentador, estufa u otro equipo de calefacción. Tampoco la coloque encima de un amplificador u otro equipo que genere calor. Si lo hace, podría decolorarse, deformarse o estropearse.
- Evite emplazamientos que sean extremadamente fríos o que estén expuestos a una humedad o polvo excesivos.
- Cuando instale esta unidad, deje un pequeño espacio (al menos 3 cm) entre ella y las paredes u otros dispositivos con el fin de permitir una buena disipación del calor. Si la instala en un rack, por ejemplo, deje al menos 5 cm de espacio libre por encima y 10 cm por detrás. Si no lo hace, podría causar que el calor se acumule en su interior y provocar un incendio.
- Coloque la unidad en un emplazamiento estable cerca del equipo de audio con el que la vaya a utilizar.
- NO coloque nada, ni siquiera discos CD, CD-R, discos de vinilo o cintas de cassette encima de las unidades. Si lo hace, pueden dañarse.
- El voltaje suministrado a la unidad deberá coincidir con el voltaje impreso en el panel posterior. Si tiene dudas al respecto, consulte a un electricista.
- No mueva la unidad mientras está en uso.
- No abra la carcasa porque podría causar daños en los circuitos o una descarga eléctrica. Si se introduce un objeto extraño en la unidad, póngase en contacto con su distribuidor.
- Cuando desenchufe el cable de corriente de una toma de electricidad, tire siempre directamente del conector, nunca del cable.

Nota sobre las patas puntiformes

Esta unidad tiene unas patas puntiformes metálicas de alta precisión que están firmemente sujetas a las placas inferiores de la misma.

Los soportes de estas patas están sueltos, pero cuando se coloca la unidad sobre una superficie, son estas patas puntiformes metálicas las que soportan la unidad, dispersando de manera efectiva las vibraciones.



- Coloque en la parte inferior de los soportes de las patas las almohadillas incluidas para evitar que se raye la superficie sobre la que se ponga la unidad.

Mantenimiento

Limpie la suciedad de la cubierta superior y otros paneles utilizando un paño suave ligeramente humedecido con un detergente neutro diluido.

No limpie la unidad con paños impregnados en productos químicos, disolvente u otros agentes químicos. Si lo hace, podría dañar la superficie.

⚠ Para su seguridad, desconecte el cable de corriente de la toma de electricidad antes de proceder a la limpieza.

Web global de TEAC

Las actualizaciones correspondientes a esta unidad se pueden descargar desde la web global de TEAC: <http://teac-global.com/>

- 1) Entre en la web global de TEAC.
- 2) En la sección de descargas (downloads) de TEAC, haga clic en el idioma que desee para abrir la página web de descargas correspondiente a ese idioma.

NOTA

Si no aparece el idioma que desea, haga clic en "Other Languages" (otros idiomas).

- 3) Haga clic en la sección "Search by Model Name" (buscar por nombre de modelo) para abrir la página de descargas de este producto. Sin embargo, los usuarios de Europa deben hacer clic en el nombre del producto en la sección "Products" (productos).
- 4) Seleccione y descargue las actualizaciones que necesite.

Registro del producto

Los clientes de EE. UU. disponen del siguiente sitio web de TEAC para registrar el producto por internet:

<http://audio.teac.com/support/registration/>

Utilización del mando a distancia

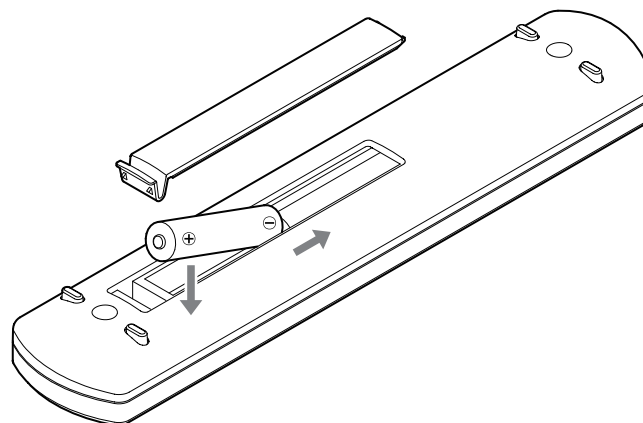
Precauciones de uso

⚠ Un mal uso de las pilas podría provocar que se rompan o que tengan fugas, y ello causar un incendio, lesiones u oxidación de materiales cercanos. Por favor, lea atentamente y observe las precauciones que encontrará en la página 47.

- Cuando utilice el mando a distancia, apunte con él hacia el receptor de la señal del mando a distancia que hay en la unidad principal, a una distancia de 5 m o menos. No coloque obstáculos entre la unidad principal y el mando a distancia.
- El mando a distancia puede no funcionar si el receptor de la señal del mando a distancia que hay en la unidad principal está expuesto a la luz solar directamente o a una luz intensa. Si esto ocurre, intente mover la unidad.
- Lleve cuidado ya que el uso de este mando a distancia podría causar el funcionamiento involuntario de otros dispositivos que pueden ser controlados por rayos infrarrojos.

Instalación de las pilas

Quite la tapa de la parte posterior del mando a distancia e inserte 2 pilas AAA en el compartimento, con sus indicadores ⊕/⊖ orientados como se muestra en la figura. Vuelva a colocar la tapa.

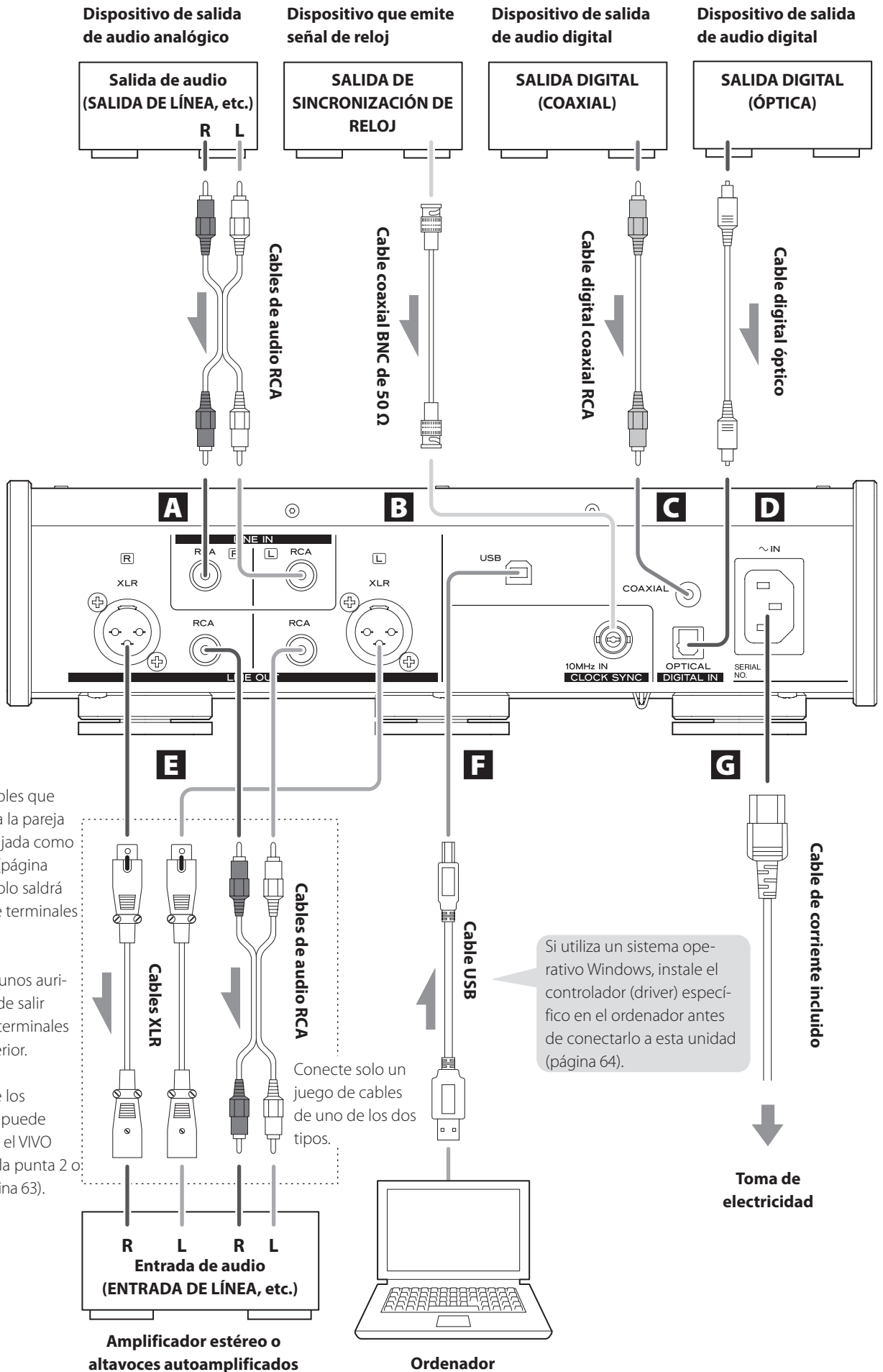


Cuándo cambiar las pilas

Si la distancia necesaria para un buen funcionamiento entre el mando a distancia y la unidad principal disminuye o si la unidad deja de responder a los botones del mando a distancia, cambie ambas pilas por otras nuevas.

Deshágase de las pilas usadas de acuerdo con las instrucciones que aparezcan en ellas, o según los requisitos establecidos por las normas locales.

Conexiones (panel posterior)



Conecte los cables que correspondan a la pareja de terminales fijada como salida de línea (página 63). El sonido solo saldrá por la pareja de terminales seleccionada.

Si se conectan unos auriculares, dejará de salir sonido por los terminales del panel posterior.

La polaridad de los terminales XLR puede fijarse para que el VIVO (POSITIVO) sea la punta 2 o la punta 3 (página 63).

Si utiliza un sistema operativo Windows, instale el controlador (driver) específico en el ordenador antes de conectarlo a esta unidad (página 64).

A Terminales de entrada de audio analógico (LINE IN)

Se usan para introducir audio analógico estéreo en la unidad. Conecte aquí los terminales de salida de audio de una pletina de cassette, reproductor de CD u otro equipo con salida de audio.

Para las conexiones, utilice cables de audio RCA de los que se venden en establecimientos comerciales.

Conecte el terminal de entrada "R" (derecha) de esta unidad al terminal de salida "R" del dispositivo de audio, y el terminal de entrada "L" (izquierda) de esta unidad al terminal de salida "L" del otro dispositivo.



B Terminal de entrada de sincronización de reloj (CLOCK SYNC) (10MHz IN)

Por este terminal se introduce una señal de sincronización (sincronización de reloj).

Para introducir una señal de oscilador de 10 MHz (salida de onda senoidal), conecte aquí la salida del oscilador.

- Para la conexión, utilice un cable coaxial BNC (50 Ω) de los que se pueden adquirir en establecimientos comerciales.
- La sincronización de reloj es posible cuando la fuente de entrada es USB.

C Terminal de entrada de audio digital coaxial RCA (COAXIAL)

Se utiliza para introducir audio digital en la unidad. Conecte aquí el terminal de salida de audio digital coaxial de un dispositivo de audio digital.

Para la conexión, utilice un cable digital coaxial RCA de los que se venden en establecimientos comerciales.

D Terminal de entrada de audio digital óptico (OPTICAL)

Se utiliza para introducir audio digital en la unidad. Conecte aquí el terminal de salida de audio digital óptico de un dispositivo de audio digital.

Para la conexión, utilice un cable digital óptico de los que se pueden adquirir en establecimientos comerciales.

E Terminales de salida de audio analógico (LINE OUT)

Por estos terminales salen 2 canales de audio analógico. Conecte estos terminales XLR o RCA, a un amplificador estéreo o a altavoces autoamplificados.

Para las conexiones, utilice cables de los que se pueden adquirir en establecimientos comerciales.

XLR: cables XLR balanceados

RCA: cables de audio RCA

Conecte el terminal "R" (derecha) de esta unidad al terminal "R" del amplificador, y el conector "L" (izquierda) al conector "L" del amplificador.

- Consulte "Salida de línea (LINE OUT)" en la página 63 para más información sobre ajustes de salida de audio analógico.

F Puerto USB

Se utiliza para introducir audio digital desde un ordenador. Conéctelo al puerto USB de un ordenador.

Para esta conexión, utilice un cable USB 2.0 (tipo A-B) de los que se venden en establecimientos comerciales.

ATENCIÓN

Antes de conectar un ordenador que funcione con un sistema operativo Windows, es necesario instalar el controlador (driver) específico en el ordenador (página 64).

No es posible una conexión correcta con un ordenador si este no tiene dicho controlador instalado.

G Entrada de corriente (~IN)

Inserte aquí el cable de corriente incluido.

No enchufe el cable de corriente a una toma de electricidad hasta que haya terminado de hacer todas las demás conexiones.

⚠ Utilice solo el cable de corriente incluido. El uso de otros cables de corriente puede originar un incendio o una descarga eléctrica. Desenchufe el cable de corriente de la toma de electricidad si no va a utilizar la unidad durante un largo periodo de tiempo.

⚠ Termine de hacer todas las conexiones antes de encender la unidad.

- Lea atentamente los manuales de los dispositivos que vaya a conectar y siga sus instrucciones para hacer las conexiones.
- No agrupe ni mezcle los cables de las conexiones con los cables de corriente. Si lo hace, puede generarse ruido.
- Inserte por completo todos los conectores.

Conexiones (panel frontal)

Entrada de audio digital (OPT/COAX IN)

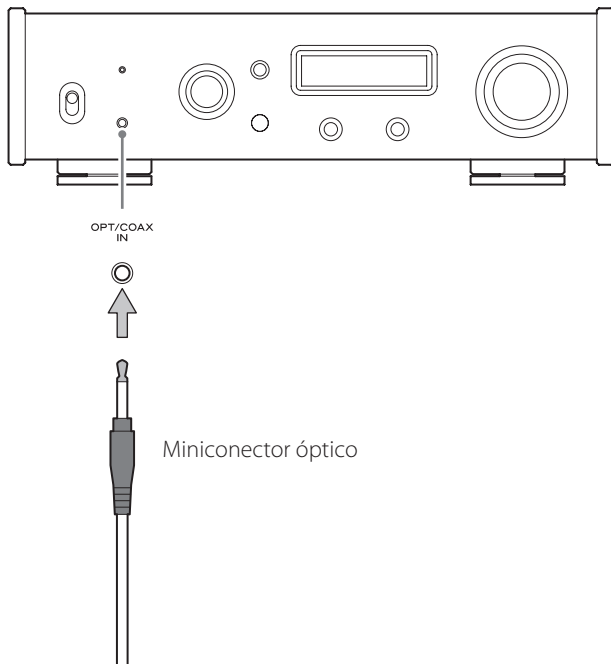
Este terminal de entrada se puede utilizar tanto para conexiones ópticas (OPT) como coaxiales (COAX).

Conexión óptica (OPT)

Utilice un cable óptico con miniconector de los que se venden en establecimientos comerciales.

Para habilitar esta entrada, gire el mando INPUT SELECTOR para seleccionar OPTf.

- La "f" indica el panel frontal.

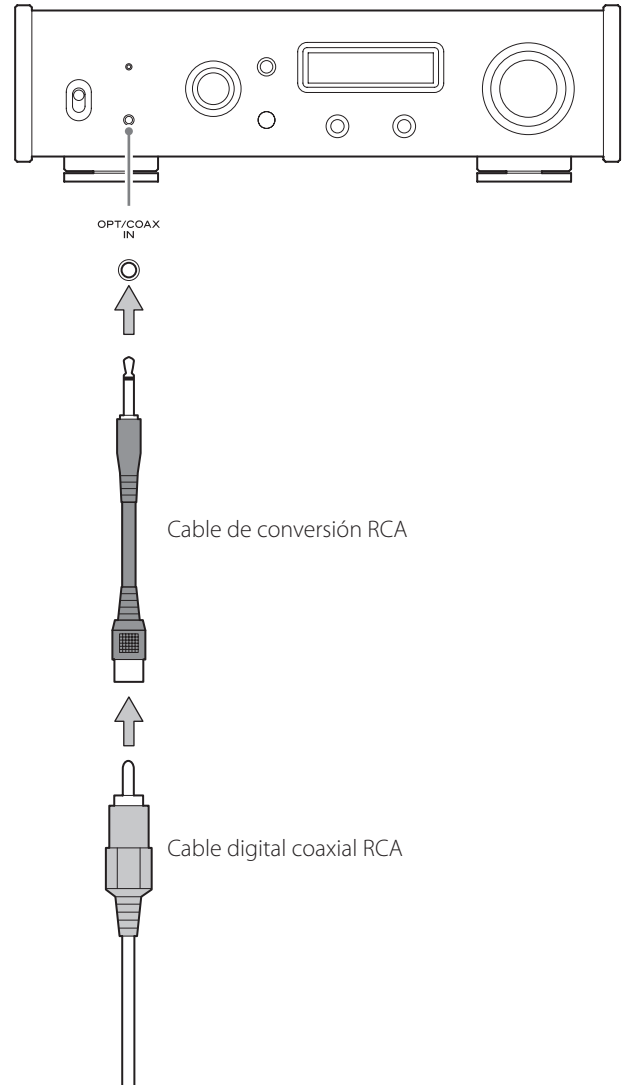


Conexión coaxial (COAX)

Utilice el cable de conversión RCA incluido y **un cable digital coaxial de los que se venden en establecimientos comerciales.**

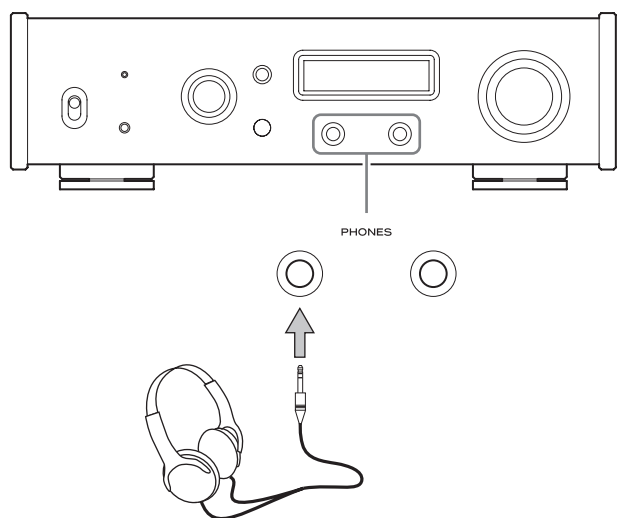
Para habilitar esta entrada, gire el mando INPUT SELECTOR para seleccionar COAXf.

- La "f" indica el panel frontal.



Auriculares normales (configuración de señal no balanceada)

Si se utilizan auriculares no balanceados, hay que configurar HEADPHONES como STEREO (página 62).

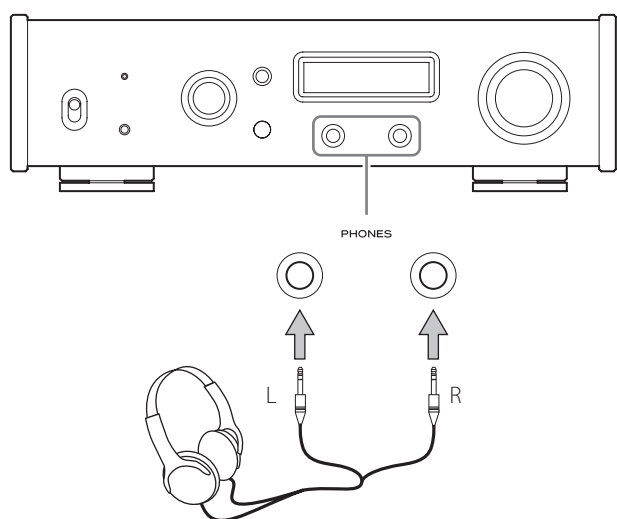


Conecte los auriculares en cualquiera de las dos salidas, izquierda o derecha.

- Si se conectan auriculares a las dos salidas, ambos auriculares deben tener la misma impedancia y eficiencia.
- Debe saber que si utiliza al mismo tiempo dos pares de auriculares con eficiencias diferentes, no podrá ajustar sus volúmenes de manera independiente.

Auriculares balanceados

Si se utilizan auriculares balanceados, hay que configurar HEADPHONES como BALANCED o ACTIVE GND (página 62).

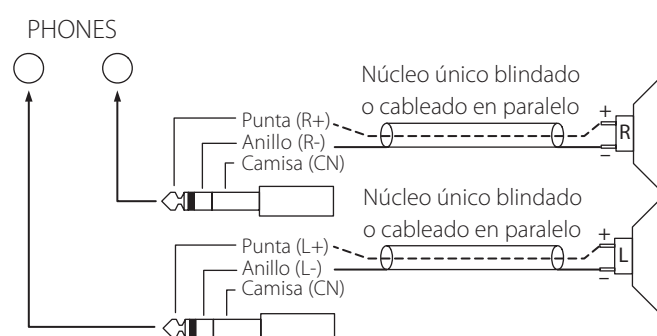
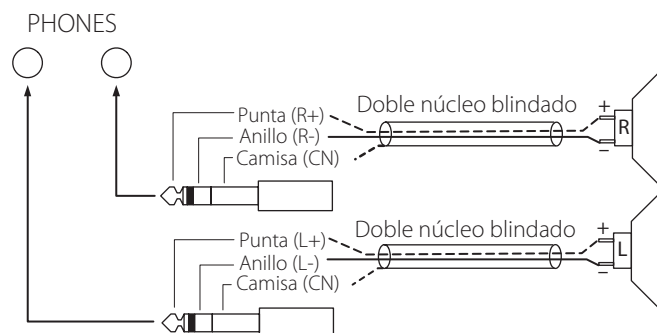


Conecte el jack "L" de los auriculares a la salida izquierda y el jack "R" de los auriculares a la salida derecha.

- Los jacks de los auriculares deben ser de tamaño estándar: 6,3 mm (1/4").

Ilustración del esquema de cableado

Los siguientes esquemas de cableado son compatibles con auriculares que utilizan configuración de señal balanceada.



ATENCIÓN

- Si se conecta un jack mono, se cortocircuitará un lado.
- Cuando utilice cables con doble núcleo blindado, lleve cuidado de no conectar las protecciones del blindaje a los auriculares.

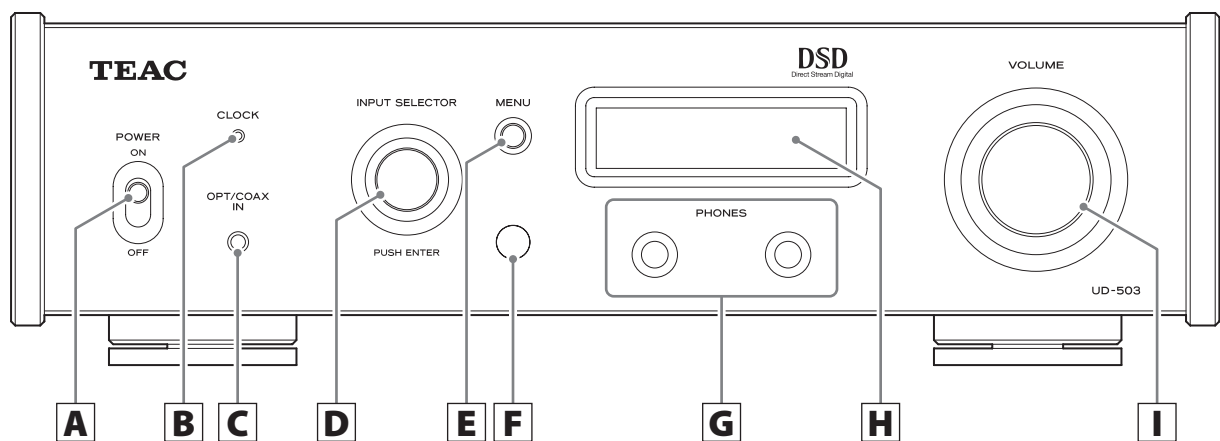
⚠ PRECAUCIÓN

Nunca conecte o desconecte los auriculares, ni encienda o apague la unidad, con los auriculares puestos.

Si lo hace puede causar ruido repentino a alto volumen capaz de lesionar sus oídos.

Una vez conectados los auriculares a esta unidad, baje siempre el volumen al mínimo ($-\infty$ dB) antes de ponerse los auriculares (página 60).

Nombres y funciones de las partes (unidad principal)



A Interruptor POWER

Se utiliza para encender y apagar la unidad.

- Si la pantalla permanece oscura aunque el interruptor POWER esté en ON (activado), normalmente la causa es una de las siguientes:
 - La unidad está encendida, pero DIMMER (brillo de la pantalla) está ajustado en OFF (página 63).
 - La función de ahorro de energía automático ha puesto la unidad en reposo (standby).
 - El cable de corriente está desconectado.

Para encender la unidad, pulse el botón STANDBY/ON del mando a distancia, o ponga el interruptor POWER en OFF (desactivado) y vuelva a ponerlo en ON (activado).

B Indicador CLOCK

Muestra el estado de la sincronización de reloj.

- Iluminado: La unidad está sincronizada con el reloj desde el terminal de entrada CLOCK SYNC (10MHz IN).
- Parpadeando: No está entrando ningún reloj o la unidad no se está sincronizando.
- Apagado: No hay sincronización de reloj.

- Consulte la página 62 para más información sobre los ajustes de sincronización de reloj.

C Entrada de audio digital (OPT/COAX IN)

Se utiliza para introducir audio digital.

- Conexión óptica: Utilice un cable óptico con miniconector.
- Conexión coaxial: Utilice el cable de conversión RCA incluido.

D Mando INPUT SELECTOR

Se utiliza para seleccionar la fuente de entrada.

Se utiliza para cambiar los valores de los ajustes cuando se muestra un elemento de un menú.

Púselo para utilizarlo a modo de botón "Intro" (ENTER).

Gírelo cuando el menú esté abierto para cambiar el elemento de pantalla o el valor de ajuste.

E Botón MENU

Púselo para entrar en el modo de ajustes de configuración (página 61).

Dentro del modo de configuración, púselo para volver a la pantalla anterior.

F Receptor de señal del mando a distancia

Recibe las señales del mando a distancia. Cuando utilice el mando a distancia, apunte con él hacia este receptor de señal.

G Terminales PHONES

Conecte auriculares que tengan un jack estéreo de tamaño estándar: 6,3 mm (1/4") (página 55).

- Cuando hay auriculares conectados a esta unidad, no sale audio por las salidas de audio analógico del panel posterior.

H Pantalla

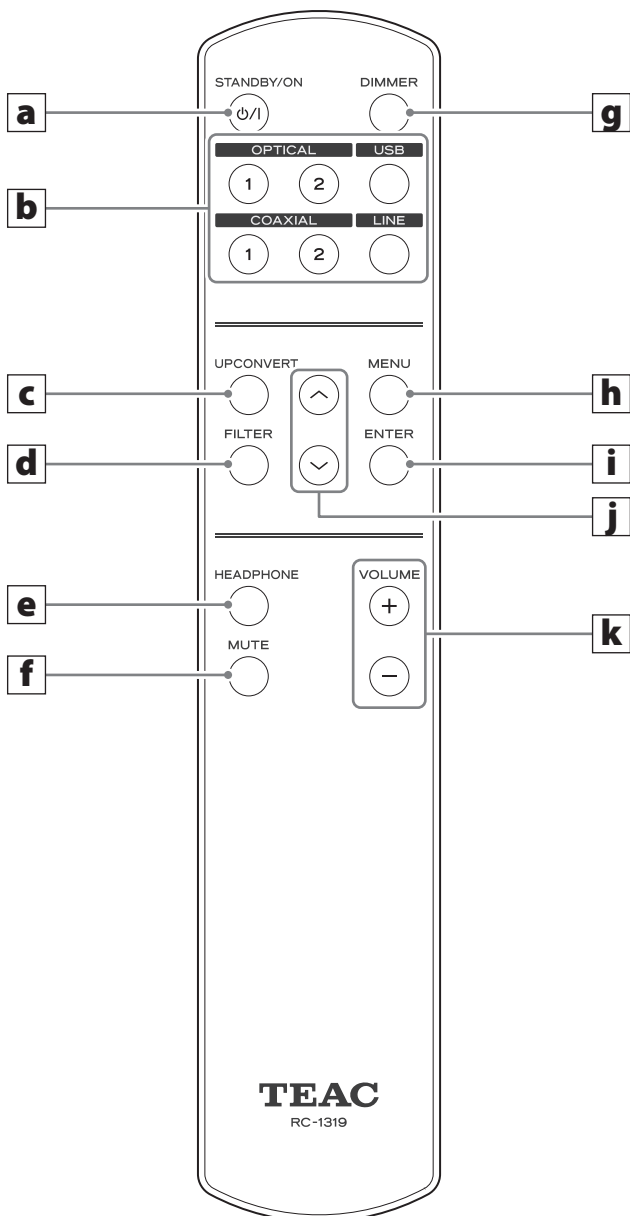
En esta pantalla se muestra la información sobre la reproducción de audio y las distintas pantallas del menú.

I Mando VOLUME

Se utiliza para ajustar el volumen de salida de los auriculares. Girando a la derecha se sube el volumen y a la izquierda se baja.

- Para poder ajustar el volumen de salida de audio analógico de esta unidad, hay que configurar LINE OUT LEVEL como VARIABLE ("Nivel de salida de línea (LINE OUT LEVEL)" en la página 63). Esto permitirá ajustar el nivel de salida de audio analógico utilizando este mando VOLUME.
- Los ajustes de volumen se mantienen independientes para la salida de audio analógico y para la salida de auriculares.

Nombres y funciones de las partes (mando a distancia)



Cuando tanto la unidad principal como el mando a distancia tienen botones con las mismas funciones, en este manual se explica cómo utilizar uno de dichos botones. El otro equivalente se puede utilizar de la misma manera.

a Botón STANDBY/ON

Púlselo para poner la unidad en modo de reposo (standby) o para encenderla.

b Botones de entradas

Se utilizan para seleccionar la fuente de reproducción.

c Botón UPCONVERT

Se utiliza para cambiar el ajuste de sobreconversión.

d Botón FILTER

Se utiliza para cambiar el ajuste de filtro.

Este botón cambia el filtro en consonancia con la entrada (PCM o DSD).

e Botón HEADPHONE

Se utiliza para cambiar el tipo de auriculares.

f Botón MUTE

Púlselo para minimizar el volumen.

g Botón DIMMER

Se utiliza para ajustar la luminosidad de la pantalla de la unidad principal.

h Botón MENU

Púlselo para entrar en el modo de ajustes de configuración (página 61).

Dentro del modo de configuración, púlselo para volver a la pantalla anterior.

i Botón ENTER

Púlselo para confirmar el elemento o ajuste seleccionado.

j Botones arriba/abajo (^/∨)

Se utilizan para seleccionar los elementos de los menús de ajustes.

k Botones VOLUME (+/-)

Estos botones se utilizan para ajustar el volumen.

Pantalla

Al encender



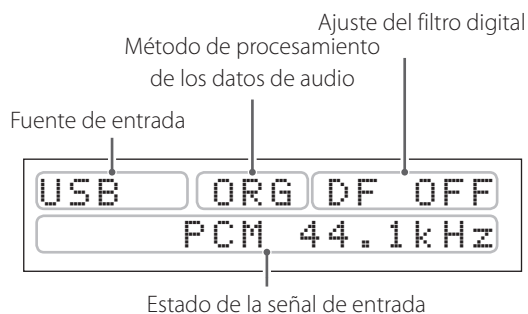
Después de que aparezcan los mensajes de las pantallas anteriores, en la pantalla aparecerá la fuente de entrada.

Pantalla con la información de la fuente de entrada

La pantalla con la información de la fuente de entrada aparecerá después de encender la unidad, y también si, con una pantalla de ajustes de configuración abierta, transcurren 10 segundos sin ninguna operación.

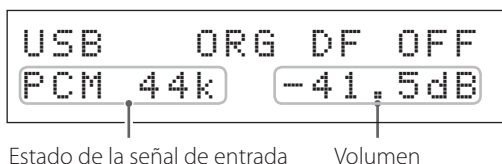
Ejemplo de pantalla

Cuando no hay auriculares conectados y LINE OUT LEVEL (nivel de salida de línea) está configurado como FIX (fijo) u OFF (desactivado).



- Si se gira el mando VOLUME, el volumen cambiará.

Cuando hay conectados unos auriculares o LINE OUT LEVEL (nivel de salida de línea) está configurado como VARIABLE.



- Si se gira el mando VOLUME, el volumen cambiará. El volumen aparecerá a la derecha del estado de la señal de entrada.

Fuente de entrada

Muestra el nombre de la fuente seleccionada.

Los nombres que aparecen en la pantalla se corresponden con los terminales de entrada como sigue:

USB

Puerto USB

COAXf

Conexión coaxial en el terminal de entrada de audio digital (OPT/COAX IN) del panel frontal.

COAX

Terminal coaxial RCA de entrada de audio digital (COAXIAL) del panel posterior.

OPTf

Conexión óptica en el terminal de entrada de audio digital (OPT/COAX IN) del panel frontal.

OPT

Terminal óptico de entrada de audio digital (OPTICAL) del panel posterior.

LINE

Terminales de entrada de audio analógico (LINE IN) del panel posterior.

Métodos de procesamiento de los datos de audio

ORG

La señal de entrada original se envía directamente al convertidor D/A sin sobreconversión.

2Fs

4Fs

8Fs

DSD

Se utilizará la sobreconversión mostrada (página 62).

DoP

La señal DSD es recibida por el método DoP (DSD over PCM, en español "DSD sobre PCM").

Ajuste del filtro digital

Muestra el ajuste del filtro digital (página 62).

Función de sobreconversión

La función de sobreconversión se puede utilizar con las entradas de audio digital (OPT, COAX) y la entrada USB (página 62).

Las relaciones entre las frecuencias de muestreo de entrada y las frecuencias de muestreo después de la sobreconversión son como sigue:

| Fuente de entrada | | Ajuste de sobreconversión | | | | |
|-----------------------------------|-------|--|-------|-------|-------|-------|
| Entrada de audio digital | USB | OFF | 2Fs | 4Fs | 8Fs | DSD |
| Frecuencia de muestreo de entrada | | Frecuencia de muestreo después de la sobreconversión | | | | |
| [kHz] | | [kHz] | | | | [MHz] |
| 32 | – | 32 | 64 | 128 | 256 | 8.0 |
| 44.1 | 44.1 | 44.1 | 88.2 | 176.4 | 352.8 | 11.2 |
| 88.2 | 88.2 | 88.2 | 88.2 | 176.4 | 352.8 | 11.2 |
| 176.4 | 176.4 | 176.4 | 176.4 | 176.4 | 352.8 | 11.2 |
| – | 352.8 | 352.8 | 352.8 | 352.8 | 352.8 | 11.2 |
| 48 | 48 | 48 | 96 | 192 | 384 | 12.2 |
| 96 | 96 | 96 | 96 | 192 | 384 | 12.2 |
| 192 | 192 | 192 | 192 | 192 | 384 | 12.2 |
| – | 384 | 384 | 384 | 384 | 384 | 12.2 |

Los valores indicados con  no cambian.

Estado de la señal de entrada

Muestra el estado de la señal de entrada.

UNLOCK! (sin acoplar)

La unidad no se puede sincronizar con la señal de entrada.

NOT AUDIO! (no hay audio)

Se está recibiendo una señal con un formato que no se puede reproducir.

UNCONNECTED! (desconectado)

La fuente de entrada es USB, pero no hay ningún cable USB conectado a la unidad.

READY (preparado)

La fuente de entrada es USB, pero no se está recibiendo ninguna señal de audio.

ANALOG (analógico)

La fuente de entrada son las entradas de audio analógico.

PCM 32kHz

PCM 44.1kHz

PCM 48kHz

PCM 88.2kHz

PCM 96kHz

PCM 128kHz

PCM 176.4kHz

PCM 192kHz

PCM 256kHz

PCM 352.8kHz

PCM 384kHz

DSD 2.8MHz

DSD 5.6MHz

DSD 11.2MHz

Los valores anteriores muestran el tipo de señal de entrada y la frecuencia de muestreo.

Pantalla de volumen

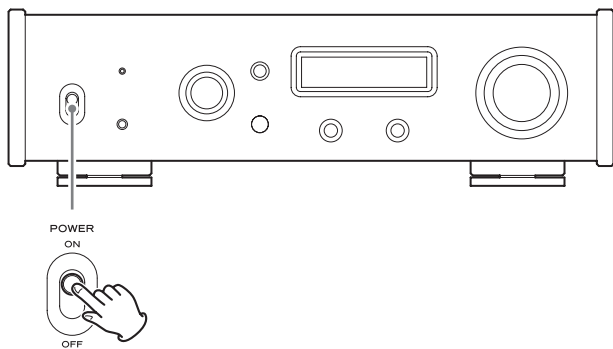
Al girar el mando VOLUME de esta unidad, en la pantalla se muestra el ajuste de volumen.

Pantalla de ejemplo:



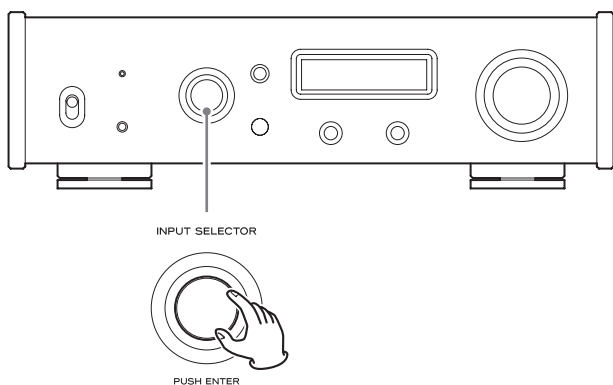
Funcionamiento básico

1 Ponga el interruptor POWER en ON (encendido).



- Si hay un amplificador estéreo conectado a esta unidad, enciéndalo siempre el último.

2 Gire el mando INPUT SELECTOR para seleccionar la fuente de entrada.



La fuente de entrada seleccionada aparecerá en la pantalla.

- También puede utilizar los botones arriba y abajo (∧, ∨) del mando a distancia.
- Si la señal de entrada no es una señal de audio digital o es un formato de señal de audio que no es compatible con esta unidad, como por ejemplo Dolby Digital, DTS o AAC, en la pantalla aparecerá "NOT AUDIO!" y no se escuchará nada. Configure la salida digital del dispositivo conectado como salida de audio PCM.
- Para reproducir archivos de audio en un ordenador que funcione con Windows cuando esta unidad está configurada como USB, primero hay que instalar un controlador (driver) específico en el ordenador antes de conectarlo a esta unidad (página 64).
- Los datos DSD solo se pueden reproducir utilizando la entrada digital en formato DoP o USB.

3 Haga funcionar el dispositivo de reproducción.

Remítase al manual de instrucciones de dicho dispositivo.

4 Ajuste el volumen.

Cuando se utilizan las salidas de línea

Si LINE OUT LEVEL (nivel de salida de línea) está puesto en VARIABLE, gire el mando VOLUME de esta unidad para ajustar el volumen.

Si LINE OUT LEVEL está ajustado de cualquier otra forma, el volumen no se puede ajustar desde esta unidad. Utilice el amplificador estéreo u otro dispositivo conectado a esta unidad para ajustar el volumen.

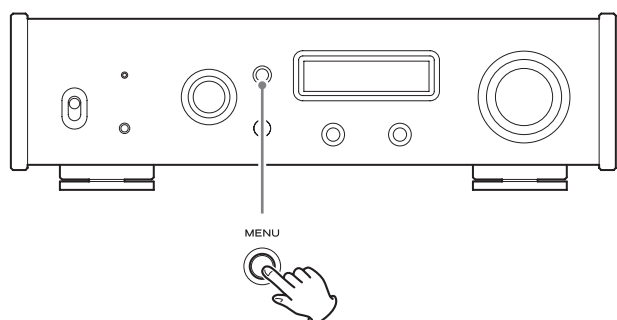
Cuando hay unos auriculares conectados a esta unidad

Gire el mando VOLUME para ajustar el volumen.

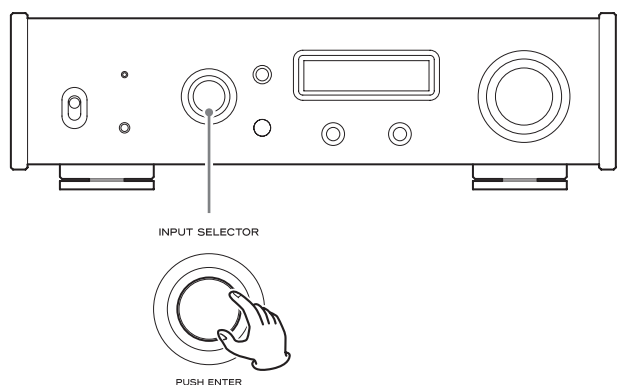
- Cuando esté habilitado el mando VOLUME, se mostrará en la pantalla el ajuste de volumen.

Ajustes de configuración

- 1** Pulse el botón MENU para que se muestren en pantalla los elementos de ajuste de configuración.

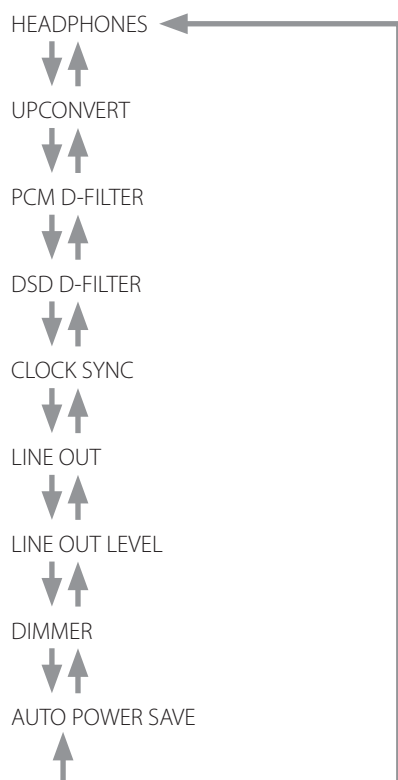


- 2** Gire el mando INPUT SELECTOR para mostrar el elemento de ajuste que desee cambiar.

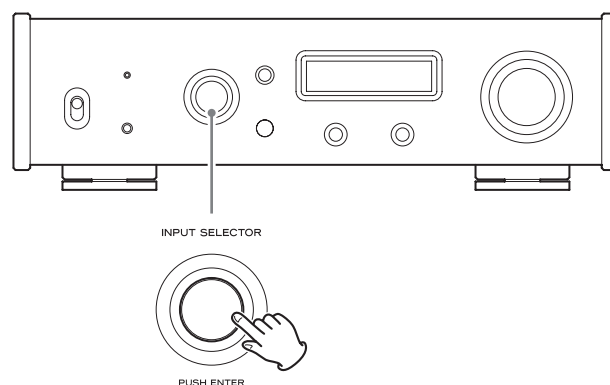


- También se pueden utilizar los botones arriba y abajo (∧, ∨) del mando a distancia.

Los elementos del menú aparecen en el siguiente orden:



- 3** Pulse el mando INPUT SELECTOR para confirmar la selección.

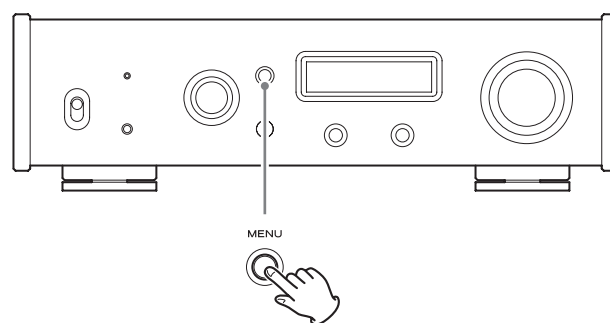


- También se puede pulsar el botón ENTER del mando a distancia.
- En la pantalla se mostrará el valor actual.

- 4** Gire el mando INPUT SELECTOR para cambiar el valor del ajuste.

- También se pueden utilizar los botones arriba y abajo (∧, ∨) del mando a distancia.
- Pulse el botón MENU para volver a la selección de los elementos de ajuste.

- 5** Cuando haga cambios en los ajustes, pulse el botón MENU para que vuelva a mostrarse en pantalla otra vez el estado de la fuente de entrada.



- Si no se hace nada durante 10 segundos, la pantalla volverá a mostrar el estado de la fuente de entrada.

Ajustes de configuración (continuación)

Sobreconversión (UPCONVERT)

Se utiliza para activar el circuito de sobreconversión cuando se reciben señales en formato PCM.

- Consulte la página 59 para más información sobre las relaciones entre las frecuencias de muestreo de entrada y las frecuencias de muestreo después de la sobreconversión.

```
*UPCONVERT  
> OFF
```

OFF

La señal de entrada original se envía directamente al convertidor D/A sin sobreconversión.

2Fs

Si la señal de audio de entrada es inferior a una frecuencia de muestreo estándar (32, 44.1 o 48 kHz) multiplicada por 2, se sobreconvierte multiplicándose por 2 y después se envía al convertidor D/A.

4Fs

Si la señal de audio de entrada es inferior a una frecuencia de muestreo estándar (32, 44.1 o 48 kHz) multiplicada por 4, se sobreconvierte multiplicándose por 4 y después se envía al convertidor D/A.

8Fs

Si la señal de audio de entrada es inferior a una frecuencia de muestreo estándar (32, 44.1 o 48 kHz) multiplicada por 8, se sobreconvierte multiplicándose por 8 y después se envía al convertidor D/A.

DSD

La fuente de entrada se convierte a formato digital DSD y después se envía al convertidor D/A.

Filtro digital PCM (PCM D-FILTER)

Se utiliza para ajustar el filtro digital cuando se reciben señales en formato PCM.

```
*PCM D-FILTER  
> OFF
```

OFF

El filtro digital está desactivado.

FIR SHARP

Se utiliza un filtro FIR con pendiente de caída pronunciada para cortar bruscamente las señales que queden fuera de la banda de audio.

FIR SLOW

Se utiliza un filtro FIR con pendiente de caída lenta para cortar suavemente las señales que queden fuera de la banda de audio.

SDLY SHARP

Se utiliza un filtro de retardo corto con pendiente de caída pronunciada para cortar bruscamente las señales que queden fuera de la banda de audio.

SDLY SLOW

Se utiliza un filtro de retardo corto con una pendiente de caída lenta para cortar suavemente las señales que queden fuera de la banda de audio.

- Cuando se reciban señales a 352.8 kHz o 384 kHz, el filtro digital se desactivará durante la reproducción independientemente de su ajuste.

Filtro digital DSD (DSD D-FILTER)

Se utiliza para ajustar el filtro digital cuando se reciben señales en formato DSD.

```
*DSD D-FILTER  
> CUTOFF 150kHz
```

CUTOFF 50kHz

Frecuencia de corte: 50 Hz

CUTOFF 150kHz

Frecuencia de corte: 150 Hz

Sincronización de reloj (CLOCK SYNC)

- Es posible la sincronización de reloj cuando la entrada es USB.

```
*CLOCK SYNC  
> OFF
```

OFF

No se utiliza la sincronización de reloj.

ON

El reloj maestro de esta unidad se sincronizará con la entrada de reloj de 10MHz a través del terminal de entrada de sincronización de reloj CLOCK SYNC (10MHz IN).

Ajustes de auriculares (HEADPHONES)

```
*HEADPHONES  
> STEREO
```

Haga los ajustes adecuados para los auriculares que se encuentren conectados a la unidad (página 55).

STEREO

Auriculares no balanceados.

BALANCED

Auriculares balanceados.

Los auriculares balanceados funcionan con una configuración de señal diferente en cada jack.

Los jacks positivo y negativo tienen las polaridades invertidas.

ACTIVE GND

Auriculares balanceados.

Con este ajuste, el polo negativo de los jacks de los auriculares se mantiene fijo en 0 voltios.

Para los auriculares, las características de las salidas resultan equivalentes.

Salida de línea (LINE OUT)

```
*LINE OUT  
> RCA
```

Se utiliza para seleccionar los terminales por los que va a salir el audio analógico.

- No es posible la salida por los terminales RCA y XLR al mismo tiempo.

RCA

La salida es a través de los terminales RCA.

XLR2

La salida es a través de los terminales XLR con polaridad 2 = VIVO (POSITIVO).

XLR3

La salida es a través de los terminales XLR con polaridad 3 = VIVO (POSITIVO).

Nivel de salida de línea (LINE OUT LEVEL)

```
*LINE OUT LEVEL  
> FIX 0dB
```

Se utiliza para seleccionar el nivel del audio que se envía a los terminales de salida de audio analógico (LINE OUT).

FIX 0dB

El nivel de salida máximo es 2 Vrms. Seleccione esa opción si desea ajustar el volumen mediante un amplificador.

- No saldrá sonido si hay unos auriculares conectados.

FIX +6dB

El nivel de salida máximo es 4 Vrms. Seleccione esta opción si desea ajustar el volumen mediante un amplificador.

- No saldrá sonido si hay unos auriculares conectados.
- Si el sonido distorsiona, cambie el ajuste a FIX 0dB.

VARIABLE

Esta opción permitirá el ajuste del nivel de la salida analógica mediante el mando VOLUME. Selecciónela si desea ajustar el volumen utilizando esta unidad.

- No saldrá sonido si hay unos auriculares conectados.

OFF

No saldrá sonido en ningún caso.

Brillo de la pantalla (DIMMER)

```
*DIMMER  
> DIMMER 3
```

DIMMER 3

Brillo normal

DIMMER 2

Ligeramente atenuado

DIMMER 1

Mayor atenuación

OFF

Pantalla apagada

- La pantalla permanece apagada incluso aunque la unidad esté encendida.

Función de ahorro de energía automático (AUTO POWER SAVE)

Esta unidad tiene una función de ahorro de energía automático.

- La función de ahorro de energía automático viene activada de fábrica.

```
*AUTO POWER SAVE  
> ON
```

OFF

La función de ahorro de energía automático está desactivada.

ON

La unidad entrará en modo de reposo (standby) automáticamente si no recibe audio cuando la fuente de entrada es LINE, o si no se capta y sincroniza ninguna señal durante aproximadamente 30 minutos cuando la fuente de entrada es cualquier otra.

Reproducción de música en un ordenador

Instalación del software controlador (driver) en un ordenador

Esta unidad puede conectarse a ordenadores que funcionen con los sistemas operativos indicados a continuación. No está garantizado el funcionamiento con otros sistemas operativos (a abril de 2015).

Con Mac OS

El software controlador funciona con las siguientes versiones:

- OS X Lion (10.7)
- OS X Mountain Lion (10.8)
- OS X Mavericks (10.9)
- OS X Yosemite (10.10)

Esta unidad funcionará con el software controlador estándar del sistema operativo, por lo que no hace falta instalar ningún software controlador especial.

Con Windows

El software controlador funciona con las siguientes versiones:

- Windows 7 (32/64 bits)
- Windows 8 (32/64 bits)
- Windows 8.1 (32/64 bits)

Instalación del software controlador en el ordenador

Para poder reproducir a través de esta unidad los archivos de audio almacenados en un ordenador, es necesario haber instalado antes un software controlador (driver) específico en el ordenador. Descárguelo desde la web global de TEAC.

Web global de TEAC:

<http://teac-global.com/>

ATENCIÓN

Instale el software controlador específico antes de conectar la unidad a un ordenador por USB.

Si conecta esta unidad a un ordenador antes de haber instalado el software controlador, no funcionará correctamente.

- Para obtener instrucciones acerca del procedimiento de instalación del software controlador, acceda a la página de descargas (downloads) de la web global de TEAC (<http://teac-global.com/>).
- Dependiendo de la combinación de hardware y software, podría darse el caso de que el funcionamiento no sea correcto incluso con los sistemas operativos antes mencionados.

Acerca del modo de transmisión

Esta unidad se conecta en modo asíncrono de alta velocidad.

Las frecuencias de muestreo que se pueden transmitir son 44.1, 48, 88.2, 96, 176.4, 192, 352.8 y 384 kHz.

Cuando se haya realizado la conexión correctamente, se podrá seleccionar "TEAC USB AUDIO DEVICE" como salida de audio en el sistema operativo del ordenador.

- En modo asíncrono, los datos de audio enviados desde el ordenador se procesarán utilizando el reloj de esta unidad, reduciéndose así las fluctuaciones que se producen durante la transmisión de datos.

Descarga de la aplicación de reproducción de audio TEAC HR Audio Player

Puede descargar las versiones para Mac y Windows de nuestra aplicación de reproducción de audio gratuita TEAC HR Audio Player, compatible con la reproducción de archivos DSD desde la web global de TEAC (<http://teac-global.com/>).

Nota sobre la configuración de TEAC HR Audio Player

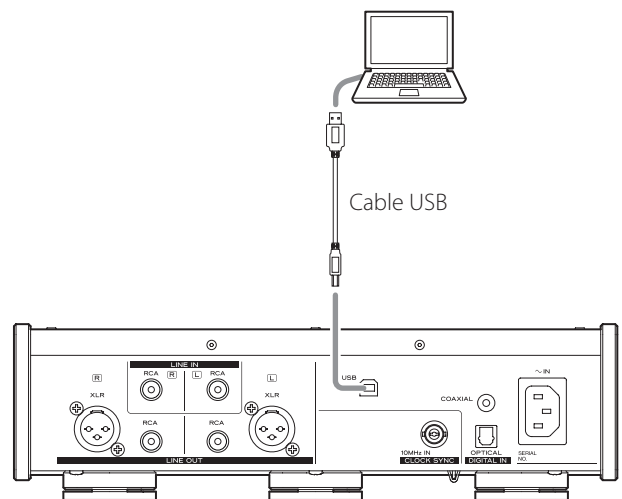
Para reproducir grabaciones DSD a 11.2 MHz con TEAC HR Audio Player, abra la ventana Configure (configuración) y ajuste Decode mode (modo de decodificación) en "DSD Native" (DSD nativo).

Para reproducir otros formatos que no sean DSD a 11.2 MHz, puede ajustarlo en "DSD over PCM" (DSD sobre PCM) o "DSD Native", como prefiera.

Para obtener más detalles, consulte "Selecting DSD decoding mode" (selección del modo de decodificación) en el manual del usuario de TEAC HR Audio Player.

Reproducción de archivos de audio desde un ordenador

1 Conecte esta unidad al ordenador utilizando un cable USB.



- Utilice un cable que tenga el conector adecuado para esta unidad.

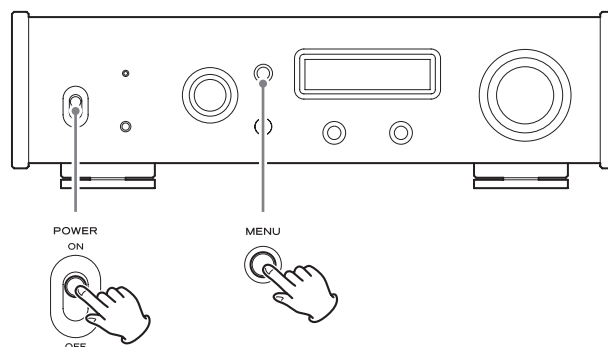
2 Encienda el ordenador.

- Confirme que el sistema operativo se ha iniciado correctamente.

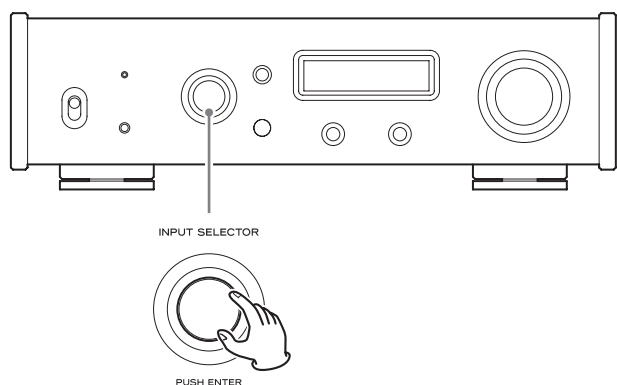
3 Ponga el interruptor POWER en ON para encender la unidad.

Restaurar los ajustes predeterminados

Mientras mantiene pulsado el botón MENU, ponga el interruptor POWER en ON (activado).



4 Gire el mando INPUT SELECTOR para seleccionar USB.



5 Comience la reproducción de un archivo de audio en el ordenador.

Conseguirá mejor calidad de sonido si pone al máximo el volumen de salida del ordenador y ajusta el volumen de escucha desde el amplificador estéreo.

Ponga al mínimo el volumen del amplificador estéreo antes de empezar la reproducción, y luego súbalo gradualmente.

Cuando vaya a utilizar unos auriculares conectados a esta unidad, gire el mando VOLUME hacia la izquierda para bajar el volumen al mínimo antes de ponérselos, y luego súbalo gradualmente.

- El ordenador y esta unidad no pueden controlarse el uno al otro.
- No lleve a cabo ninguna de las acciones indicadas a continuación cuando reproduzca archivos de audio mediante USB. Si lo hace, podría causar anomalías de funcionamiento en el ordenador. Salga siempre del software de reproducción de audio antes de llevar a cabo cualquiera de las siguientes acciones:
 - Desconectar el cable USB
 - Apagar esta unidad
 - Cambiar la selección de entrada activa
- Al reproducir archivos de audio mediante USB, también sonarán los sonidos propios del funcionamiento del ordenador. Si no desea que se escuchen estos sonidos, realice los ajustes adecuados en el ordenador para silenciarlos.
- Si conecta esta unidad al ordenador o cambia la fuente de entrada a USB después de haber iniciado el software de reproducción de audio, puede que los archivos de audio no se reproduzcan adecuadamente. Si esto ocurre, reinicie el software de reproducción de audio o reinicie el ordenador.

- Suelte el botón MENU cuando aparezca el mensaje "SETUP CLEAR" (borrar configuración).

Los valores predeterminados de fábrica son los valores de los ajustes que se muestran en las ilustraciones de pantallas utilizadas en las explicaciones de este manual.

Solución de posibles fallos

Si experimenta algún problema con esta unidad, por favor dedique unos momentos a leer la siguiente información antes de solicitar asistencia técnica. Si aún así el problema persiste, póngase en contacto con el establecimiento donde adquirió la unidad.

General

La unidad no se enciende.

- ➔ Compruebe que el cable de corriente está completamente enchufado a la toma de electricidad. Si la toma de electricidad tiene un interruptor de activación, confirme que está en posición de activado.
- ➔ Confirme que llega corriente a la toma de electricidad enchufando en ella otro aparato.
- ➔ Si la función de ahorro de energía automático ha hecho que la unidad entre en reposo (standby), pulse el botón STANDBY/ON del mando a distancia para volver a encender la unidad.

No se escucha sonido.

- ➔ Si hay un amplificador estéreo conectado a esta unidad, ajuste su volumen.
- ➔ Si está utilizando unos auriculares conectados a esta unidad, utilice el mando VOLUME para ajustar el volumen.
- ➔ Utilice el mando INPUT SELECTOR para seleccionar la entrada que esté conectada a la fuente que desee escuchar.
- ➔ Compruebe las conexiones con el resto de los equipos.

Hay ruido o zumbido.

- ➔ Si hay un cable de conexión cerca de un cable de corriente, de un fluorescente o de otra fuente de interferencias similar, aumente la distancia entre ellos lo máximo posible.

No se escucha sonido por un lado de los auriculares.

- ➔ Compruebe que el jack de los auriculares está bien insertado hasta el fondo.

La salida de auriculares no suena en estéreo.

- ➔ Confirme que el ajuste HEADPHONES está configurado como STEREO.

Sincronización de reloj

El indicador CLOCK no deja de parpadear.

- ➔ Configure la sincronización de reloj en OFF (desactivada) cuando no se utilice.
- ➔ No es posible la sincronización con la señal de reloj que está entrando. Compruebe las conexiones de los terminales de sincronización de reloj y los ajustes del dispositivo conectado.

Conexiones con un ordenador

El ordenador no reconoce esta unidad.

- ➔ Esta unidad puede conectarse a ordenadores que funcionen con los sistemas operativos indicados a continuación. No está garantizado el funcionamiento con otros sistemas operativos (a abril de 2015).

Mac OS

OS X Lion (10.7)
OS X Mountain Lion (10.8)
OS X Mavericks (10.9)
OS X Yosemite (10.10)

- Esta unidad se puede utilizar con el software controlador estándar del sistema operativo.

Windows

Windows 7 (32/64 bits)
Windows 8 (32/64 bits)
Windows 8.1 (32/64 bits)

- Requiere la instalación de un software controlador específico (página 64).

Se produce ruido.

- ➔ Si inicia otras aplicaciones durante la reproducción de un archivo de música, puede interrumpir la reproducción o causar ruido. No inicie otras aplicaciones durante la reproducción. Si se conecta la unidad a un ordenador mediante un hub (distribuidor) USB, por ejemplo, puede escucharse ruido. Conecte la unidad directamente al ordenador.

No se pueden reproducir los archivos de audio.

- ➔ Conecte esta unidad al ordenador y seleccione USB como entrada de esta unidad antes de iniciar el software de reproducción de música. Si conecta esta unidad al ordenador o selecciona la entrada USB después de haber iniciado el software de reproducción de audio, puede que los archivos de música no se reproduzcan correctamente.

Dado que esta unidad utiliza un microcontrolador, ruidos externos y otras interferencias pueden hacer que la unidad deje de funcionar correctamente. Si esto ocurre, desenchufe el cable de corriente, espere un rato y después vuelva a encenderla para restablecer el funcionamiento.

Salidas de audio analógico

| | |
|---|--------------------------------------|
| Terminales..... | XLR × 1 par |
| | RCA × 1 par |
| Impedancia de salida..... | XLR: 188 Ω |
| | RCA: 150 Ω |
| Nivel de salida máximo (1 kHz/escala completa, a 10 kΩ) | |
| FIX 0dB..... | XLR/RCA: 2.0 Vrms |
| FIX +6dB..... | XLR/RCA: 4.0 Vrms |
| VARIABLE..... | XLR: 12 Vrms |
| | RCA: 6 Vrms |
| Respuesta de frecuencias..... | 5 Hz – 80 kHz (+1 dB/–3 dB) |
| Relación señal/ruido..... | 110 dB (ponderado A, 1 kHz) |
| Distorsión..... | 0,0015% (1 kHz, LPF: 20 Hz – 20 kHz) |

Salidas de auriculares

| | |
|---------------------------------------|------------------------------------|
| Terminales..... | Jacks estéreo estándar 6,3 mm × 2 |
| Salida máxima efectiva | |
| STEREO | 500 mW + 500 mW (un par a 32 Ω) |
| | 350 mW + 350 mW (dos pares a 32 Ω) |
| BALANCED | 700 mW + 700 mW (a 32 Ω) |
| Rango de impedancias compatibles..... | 16–600 Ω |

Entradas de audio analógico

| | |
|------------------------------|-------------|
| Terminales..... | RCA × 1 par |
| Impedancia de entrada..... | 51 kΩ |
| Sensibilidad de entrada..... | 130 mV |

Entradas de audio digital

| | |
|---|--|
| Digital COAXIAL..... | terminal RCA × 1 |
| | Minijack de 3,5 mm × 1 |
| (También es posible la conexión con un miniconector de 3,5mm utilizando el cable adaptador RCA-miniconector.) | |
| | (0.5 Vp-p, 75 Ω) |
| Digital óptica (OPTICAL)..... | Conector rectangular × 1 |
| | Minijack de 3,5 mm × 1 |
| | (de –24.0 a –14.5 dBm en picos) |
| USB..... | Conector de tipo B × 1 |
| | (compatible con USB 2.0) |
| Frecuencia de muestreo de datos PCM | |
| Digital COAXIAL | 32 kHz, 44.1 kHz, 48 kHz, 88.2 kHz, 96 kHz, 176.4 kHz, 192 kHz |
| Digital óptica (OPTICAL) | 32 kHz, 44.1 kHz, 48 kHz, 88.2 kHz, 96 kHz, 176.4 kHz, 192 kHz |
| USB..... | 44.1 kHz, 48 kHz, 88.2 kHz, 96 kHz, 176.4 kHz, 192 kHz, 352.8 kHz, 384 kHz |

| | |
|---|----------------------------|
| Profundidad de bits de cuantización | |
| Digital COAXIAL/Digital óptica (OPTICAL)..... | 16/24 bits |
| USB..... | 16/24/32 bits |
| Frecuencia de muestreo de datos DSD | |
| USB..... | 2.8 MHz, 5.6 MHz, 11.2 MHz |
| Digital COAXIAL/Digital óptica (OPTICAL)..... | 2.8 MHz |
| (compatible utilizando transmisión DoP de 176.4kHz/24 bits) | |

Entrada de sincronización de reloj

| | |
|--|---|
| Terminal..... | BNC |
| Frecuencia de muestreo de entrada..... | 10 MHz |
| Impedancia de entrada..... | 50 Ω |
| Nivel de entrada..... | Onda rectangular: equivalente a niveles TTL |
| | Onda senoidal: de 0.5 to 1.0 Vrms |

General

| | |
|------------------------------------|--|
| Alimentación | |
| Modelo para Europa..... | CA 220–240 V, 50/60 Hz |
| Modelo para EE. UU. y Canadá..... | CA 120 V, 60 Hz |
| Consumo de corriente..... | 16 W |
| Consumo en reposo..... | 0.4 W (en modo "standby") |
| Dimensiones externas..... | 290 mm × 84.5 mm × 248.7 mm |
| | (ancho × alto × profundo incluyendo salientes) |
| Peso..... | 4,2 kg |
| Temperatura de funcionamiento..... | de +5°C a +35°C |
| Humedad de funcionamiento..... | de 5 a 85% (sin condensación) |
| Temperatura de almacenamiento..... | de –20°C a +55°C |

Accesorios incluidos

| |
|--|
| Cable de corriente × 1 |
| Cable de conversión RCA (RCA a miniconector) × 1 |
| Mando a distancia (RC-1319) × 1 |
| Pilas para el mando a distancia (AAA) × 2 |
| Manual del usuario (este documento) × 1 |
| Tarjeta de garantía × 1 (solo para usuarios de EE. UU. y Canadá) |
| Almohadillas × 3 |

- El diseño y las especificaciones están sujetos a cambio sin previo aviso.
- El peso y las dimensiones son aproximados.
- Las ilustraciones de este manual pueden diferir ligeramente de los modelos de producción.

WARRANTY/GARANTIE/GARANTÍA

Europe/Europa

This product is subject to the legal warranty regulations of the country of purchase. In case of a defect or a problem, please contact the dealer where you bought the product.

Ce produit est sujet aux réglementations concernant la garantie légale dans le pays d'achat. En cas de défaut ou de problème, veuillez contacter le revendeur chez qui vous avez acheté le produit.

Las condiciones de garantía de este aparato están sujetas a las disposiciones legales sobre garantía del país en el que ha sido adquirido. En caso de garantía, debe dirigirse al establecimiento donde adquirió el aparato.

In countries/regions other than the USA, Canada and Europe

This warranty gives you specific legal rights, and you may also have other rights that vary by country, state or province. If you have a warranty claim or request, please contact the dealer where you bought the product.

该保证书赋予了顾客特定的合法权利，并且因国家，州或省等地域的不同，顾客可能拥有其他权利。如需申请或要求保修，请与购买本产品的销售店进行联系。

TEAC

| | | |
|--------------------|---|--------------------------|
| TEAC CORPORATION | 1-47 Ochiai, Tama-shi, Tokyo 206-8530 Japan | Phone: +81-42-356-9156 |
| TEAC AMERICA, INC. | 1834 Gage Road, Montebello, California 90640 U.S.A. | Phone: +1-323-726-0303 |
| TEAC AUDIO EUROPE | Liegnitzer Straße 6, 82194 Gröbenzell, Germany | Phone: +49-8142-4208-141 |

This device has a serial number located on its rear panel. Please record the serial number and retain it for your records.

Model name: UD-503 Serial number: _____