

TEAC

AI-503

ENGLISH

FRANÇAIS

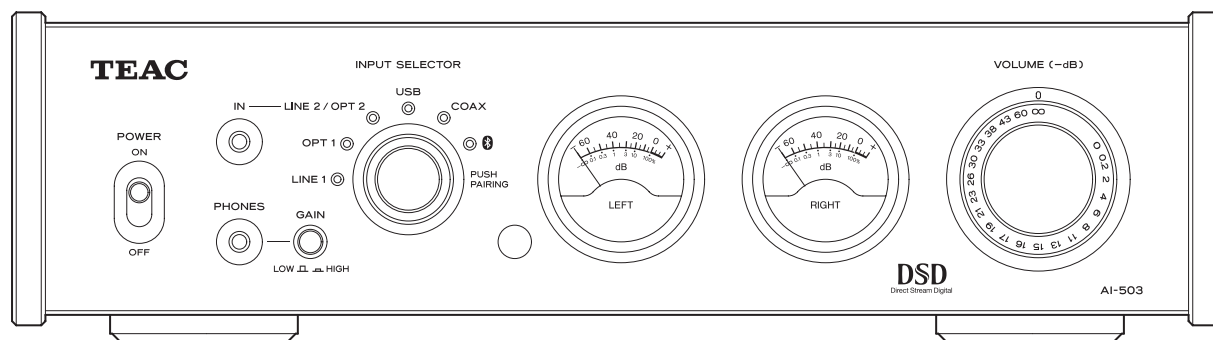
ESPAÑOL

USB DAC/Integrated Amplifier

OWNER'S MANUAL

MODE D'EMPLOI

MANUAL DEL USUARIO

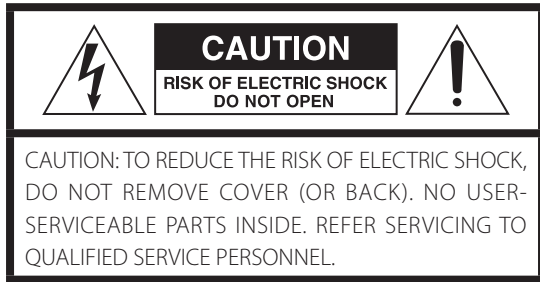


Qualcomm® aptX™



LDAC

IMPORTANT SAFETY INSTRUCTIONS



The lightning flash with arrowhead symbol, within an equilateral triangle, is intended to alert the user to the presence of uninsulated "dangerous voltage" within the product's enclosure that may be of sufficient magnitude to constitute a risk of electric shock to persons.



The exclamation point within an equilateral triangle is intended to alert the user to the presence of important operating and maintenance (servicing) instructions in the literature accompanying the appliance.

WARNING: TO PREVENT FIRE OR SHOCK HAZARD, DO NOT EXPOSE THIS APPLIANCE TO RAIN OR MOISTURE.

CAUTION

- DO NOT REMOVE THE EXTERNAL CASES OR CABINETS TO EXPOSE THE ELECTRONICS. NO USER SERVICEABLE PARTS ARE INSIDE.
 - IF YOU ARE EXPERIENCING PROBLEMS WITH THIS PRODUCT, CONTACT THE STORE WHERE YOU PURCHASED THE UNIT FOR A SERVICE REFERRAL. DO NOT USE THE PRODUCT UNTIL IT HAS BEEN REPAIRED.
 - USE OF CONTROLS OR ADJUSTMENTS OR PERFORMANCE OF PROCEDURES OTHER THAN THOSE SPECIFIED HEREIN MAY RESULT IN HAZARDOUS RADIATION EXPOSURE.
- 1) Read these instructions.
 - 2) Keep these instructions.
 - 3) Heed all warnings.
 - 4) Follow all instructions.
 - 5) Do not use this apparatus near water.
 - 6) Clean only with dry cloth.
 - 7) Do not block any ventilation openings. Install in accordance with the manufacturer's instructions.
 - 8) Do not install near any heat sources such as radiators, heat registers, stoves, or other apparatus (including amplifiers) that produce heat.
 - 9) Do not defeat the safety purpose of the polarized or grounding-type plug. A polarized plug has two blades with one wider than the other. A grounding type plug has two blades and a third grounding prong. The wide blade or the third prong are provided for your safety. If the provided plug does not fit into your outlet, consult an electrician for replacement of the obsolete outlet.

10) Protect the power cord from being walked on or pinched particularly at plugs, convenience receptacles, and the point where they exit from the apparatus.

11) Only use attachments/accessories specified by the manufacturer.

12) Use only with the cart, stand, tripod, bracket, or table specified by the manufacturer, or sold with the apparatus. When a cart is used, use caution when moving the cart/apparatus combination to avoid injury from tip-over.



13) Unplug this apparatus during lightning storms or when unused for long periods of time.

14) Refer all servicing to qualified service personnel. Servicing is required when the apparatus has been damaged in any way, such as power-supply cord or plug is damaged, liquid has been spilled or objects have fallen into the apparatus, the apparatus has been exposed to rain or moisture, does not operate normally, or has been dropped.

- The apparatus draws nominal non-operating power from the AC outlet with its POWER or STANDBY/ON switch not in the ON position.
- The mains plug is used as the disconnect device; the disconnect device shall remain readily operable.
- Caution should be taken when using earphones or headphones with the product because excessive sound pressure (volume) from earphones or headphones can cause hearing loss.

CAUTION

- Do not expose this apparatus to drips or splashes.
- Do not place any objects filled with liquids, such as vases, on the apparatus.
- Do not install this apparatus in a confined space such as a book case or similar unit.
- The apparatus should be located close enough to the AC outlet so that you can easily reach the power cord plug at any time.
- If the product uses batteries (including a battery pack or installed batteries), they should not be exposed to sunshine, fire or excessive heat.
- CAUTION for products that use replaceable lithium batteries: there is danger of explosion if a battery is replaced with an incorrect type of battery. Replace only with the same or equivalent type.

WARNING

Products with Class **I** construction are equipped with a power supply cord that has a grounding plug. The cord of such a product must be plugged into an AC outlet that has a protective grounding connection.

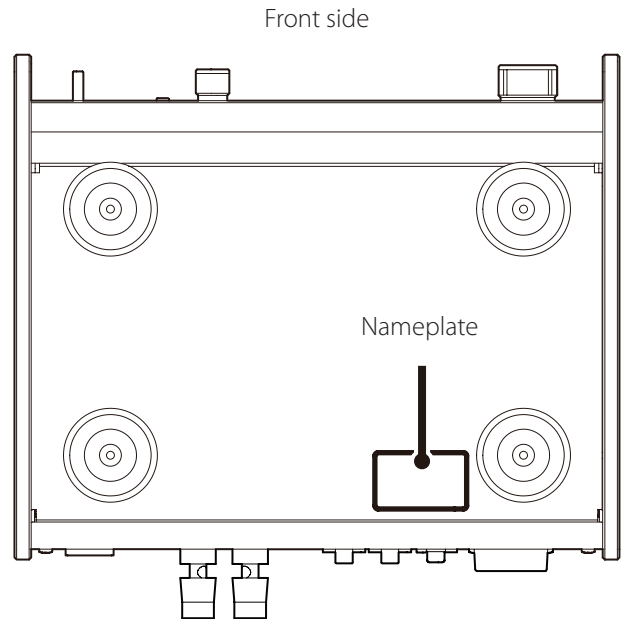
IN USA/CANADA, USE ONLY ON 120 V SUPPLY.

⚠ Precautions concerning batteries

Misuse of batteries could cause them to rupture or leak leading to fire, injury or the staining of nearby things. Please read and observe the following precautions carefully.

- Be sure to insert the batteries with correct positive (⊕) and negative (⊖) orientations.
- Use batteries of the same type. Never use different types of batteries together.
- If the remote control is not used for a long time (more than a month), remove the batteries to prevent them from leaking.
- If the batteries leak, wipe away the leakage inside the battery compartment and replace the batteries with new ones.
- Do not use batteries of types other than those specified. Do not mix new batteries with old ones or use different types of batteries together.
- Do not heat or disassemble batteries. Never throw batteries into fire or water.
- Do not carry or store batteries with other metallic objects. The batteries could short circuit, leak or explode.
- Never recharge a battery unless it is confirmed to be a rechargeable type.



The nameplate is located on the bottom of the unit as shown below.



EN

For European Customers

Disposal of electrical and electronic equipment and batteries and/or accumulators

- All electrical/electronic equipment and waste batteries/accumulators should be disposed of separately from the municipal waste stream via collection facilities designated by the government or local authorities.
- By disposing of electrical/electronic equipment and waste batteries/accumulators correctly, you will help save valuable resources and prevent any potential negative effects on human health and the environment.
- Improper disposal of waste electrical/electronic equipment and batteries/accumulators can have serious effects on the environment and human health because of the presence of hazardous substances in the equipment.
- The Waste Electrical and Electronic Equipment (WEEE) symbols, which show wheeled bins that have been crossed out, indicate that electrical/electronic equipment and batteries/accumulators must be collected and disposed of separately from household waste. 
If a battery or accumulator contains more than the specified values of lead (Pb), mercury (Hg), and/or cadmium (Cd) as defined in the Battery Directive (2006/66/EC), then the chemical symbols for those elements will be indicated beneath the WEEE symbol. 
Pb, Hg, Cd
- Return and collection systems are available to end users. For more detailed information about the disposal of old electrical/electronic equipment and waste batteries/accumulators, please contact your city office, waste disposal service or the shop where you purchased the equipment.

Wireless equipment precautions

Compliance of radio transmitter and interference

Model for USA

Declaration of Conformity

Responsible party: TEAC AMERICA, INC.
Address: 1834 Gage Road, Montebello, California,
U.S.A.



Telephone number : 1-323-726-0303

This device complies with Part 15 of the FCC Rules. Operation is subject to the following two conditions: (1) this device may not cause harmful interference, and (2) this device must accept any interference received, including interference that may cause undesired operation.

Labeling of authorization

FCC ID: XEG-AI503

Model for Canada

Compliance of radio transmitter

This device complies with Industry Canada RSS-210 standard(s).

Operation is subject to the following two conditions:

- 1) This device may not cause interference
- 2) This device must accept any interference, including interference that may cause undesired operation of the device.

Labeling of authorization

IC: 1559C-AI503

Compliance of interference

This Class B digital apparatus complies with Canadian ICES-003.

Model for EEA (European Economic Area)

This product has the function of broadband transmitter using 2.4GHz Band.

Use frequency range: 2400 MHz – 2480 MHz

Maximum output power: Bluetooth® Class 2 (less than 2.5 mW)



Hereby, TEAC Corporation declares that the radio equipment type is in compliance with Directive 2014/53/EU., and the other Directives, and Commission Regulations.

The full text of the EU declaration of conformity is available at the following internet address. Please contact us by e-mail.

<http://www.teac-audio.eu/en/>

TEAC Corporation

1-47 Ochiai, Tama-shi, Tokyo, 206-8530, Japan

CAUTION

Authorization of wireless devices are different in countries or regions. Please use only in the country where you purchased the product.

- Depending on the country, restrictions on the use of Bluetooth wireless technology might exist.

Confirm the laws and regulations of the country or region where you want to use the unit before use.

Radiation Exposure requirements

This equipment meets the regulation, which is recognized internationally, for the case of human exposure to radio waves generated by the transmitter.

Statement of compliance

Model for USA

This equipment complies with FCC radiation exposure limits set forth for an uncontrolled environment and meets the FCC radio frequency Exposure Guidelines.

Model for Canada

This equipment complies with IC RSS-102 radiation exposure limits set forth for an uncontrolled environment.

Model for EEA (European Economic Area)

This equipment complies with EN.62311; Assessment of electronic and electrical equipment related to human exposure restrictions for electromagnetic fields; the harmonised standard of DIRECTIVE 2014/53/EU.

CAUTION

Changes or modifications not expressly approved by the party responsible for compliance could void the user's authority to operate the equipment.

Information for interference (FCC requirements)

This equipment has been tested and found to comply with the limits for a Class B digital device, pursuant to Part 15 of the FCC Rules. These limits are designed to provide reasonable protection against harmful interference in a residential installation.

This equipment generates, uses, and can radiate radio frequency energy and, if not installed and used in accordance with the instructions, may cause harmful interference to radio communications.

However, there is no guarantee that interference will not occur in a particular installation.

If this equipment does cause harmful interference to radio or television reception, which can be determined by turning the equipment off and on, the user is encouraged to try to correct the interference by one or more of the following measures.

- Reorient or relocate the equipment and/or the receiving antenna.
- Increase the separation between the equipment and receiver.
- Connect the equipment into an outlet on a circuit different from that to which the receiver is connected.
- Consult the dealer or an experienced radio/TV technician for help.

"DSD" is a registered trademark.

The Bluetooth® word mark and logos are registered trademarks owned by Bluetooth SIG, Inc. and any use of such marks by TEAC CORPORATION is under license.

Qualcomm aptX is a product of Qualcomm Technologies International, Ltd.

Qualcomm is a trademark of Qualcomm Incorporated, registered in the United States and other countries, used with permission. aptX is a trademark of Qualcomm Technologies International, Ltd., registered in the United States and other countries, used with permission.

Microsoft and Windows are either registered trademarks or trademarks of Microsoft Corporation in the United States and/or other countries.

Apple, Mac, OS X and macOS are trademarks of Apple Inc.

LDAC™ and LDAC logo are trademarks of Sony Corporation.

Other company names, product names and logos in this document are the trademarks or registered trademarks of their respective owners.

Contents

Thank you for choosing TEAC.

Read this manual carefully to get the best performance from this unit.

After reading it, keep it in a safe place for future reference.

IMPORTANT SAFETY INSTRUCTIONS	2
Wireless equipment precautions	4
Trademarks and copyrights	5
Included items	6
Before use	7
Maintenance	7
Using the TEAC Global Site	7
Product registration	7
Connections (rear panel)	8
Connections (front panel)	10
Using the remote control	11
Connecting speakers	12
Names and functions of parts (main unit)	13
Names and functions of parts (remote control)	14
Basic operation	15
Bluetooth® wireless technology	17
Playing back music on a computer	19
Troubleshooting	21
Specifications	22

Included items

Check to be sure the box contains all the included items shown below.

Please contact the store where you purchased this unit if any of these items are missing or have been damaged during transportation.

Power cord × 1

Remote control (RC-1328) × 1

Batteries for remote control (AAA) × 2

Owner's manual (this document, including warranty) × 1

- See pages 68 to 72 for warranty information.

Before use


Placement precautions

- Place the unit in a stable location near the audio system that you will use with it.
- Do not install this unit in a location that could become hot. This includes places that are exposed to direct sunlight or near a radiator, heater, stove or other heating equipment. Moreover, do not place it on top of another amplifier or equipment that generates heat. Doing so could cause discoloration, deformation or malfunction.
- Avoid locations that are subject to vibrations or exposed to excessive dust, cold or moisture.
- When installing this unit, leave a little space (at least 3 cm or 1") between it and walls and other devices in order to allow good heat dissipation. If you put it in a rack, for example, leave at least 5 cm (2") open above it and at least 10 cm (4") open behind it. Failure to provide these gaps could cause heat to build up inside and result in fire.
- Do not place anything, not even CDs, CD-Rs, LP records or cassette tapes, on top of the unit. Do not put cloth on top of the unit or place it on top of bedding or thick carpet. Doing so could cause it to overheat or damage it.
- Do not move the unit during use.
- The voltage supplied to the unit should match the voltage printed on the rear panel. If you are in any doubt regarding this matter, consult an electrician.
- Do not open the body of the unit as this might result in damage to the circuitry or cause electric shock. If a foreign object should get into the unit, contact your dealer.
- When removing the power plug from the wall outlet, always pull directly on the plug; never yank on the cord.

Maintenance

Wipe dirt from the top cover and other panel surfaces using a soft cloth that has been slightly dampened with a diluted neutral cleanser.

Do not wipe with chemical cleaning cloths, thinner or other chemical agents. Doing so could damage the surface.

 **For your safety, disconnect the power cord from the socket before cleaning.**

Using the TEAC Global Site

You can download updates for this unit from the TEAC Global Site:

<http://teac-global.com/>

- 1) Open the TEAC Global Site.
- 2) In the TEAC Downloads section, click the desired language to open the Downloads website page for that language.

NOTE

If the desired language does not appear, click Other Languages.

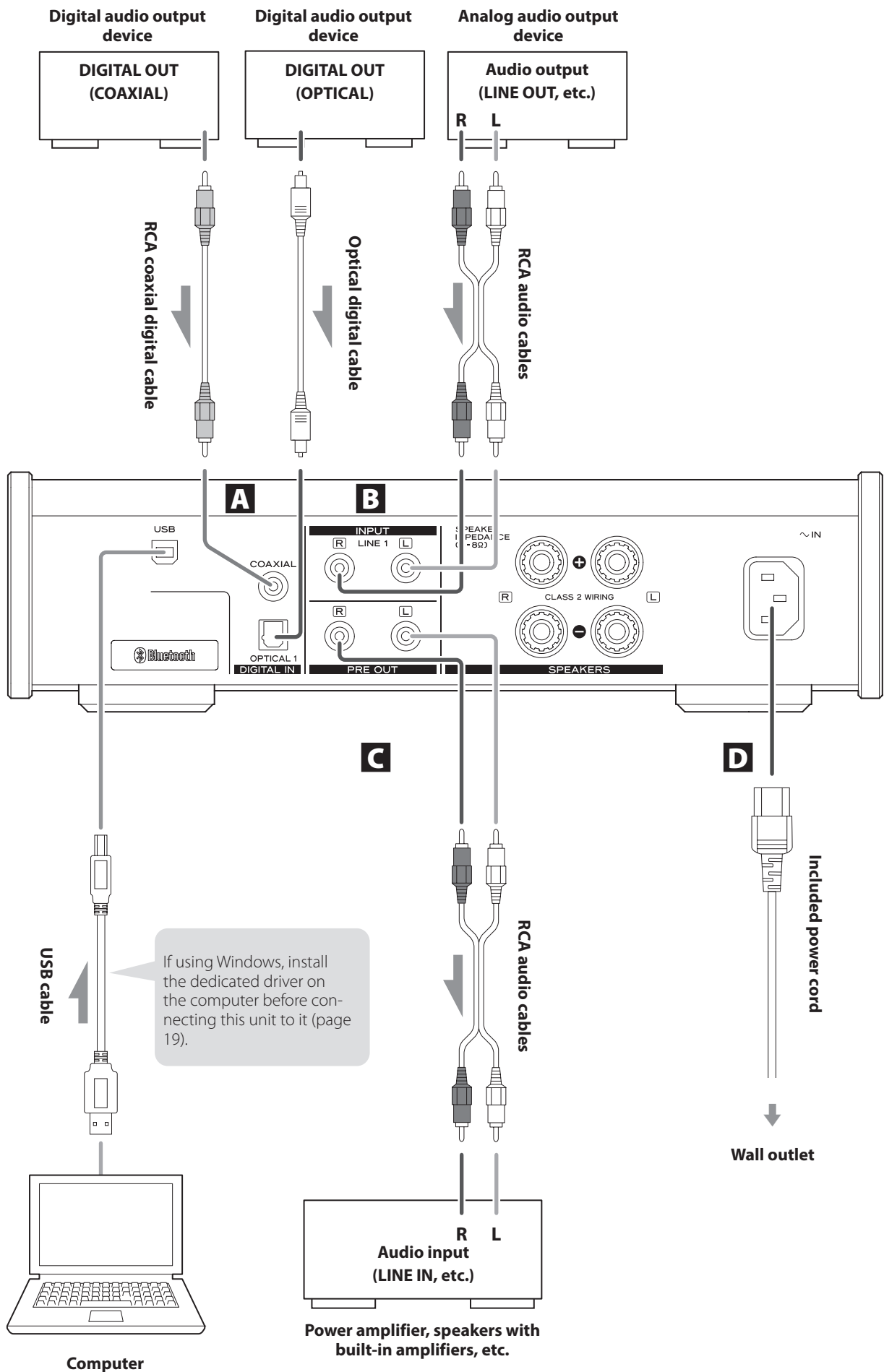
- 3) Click the "Search by Model Name" section to open the Downloads page for that product. (Users in Europe should click the product name in the "Products" section instead.)
- 4) Select and download the updates that are needed.

Product registration

Customers in the USA, please visit the following TEAC website to register your TEAC product online.

<http://audio.teac.com/support/registration/>

Connections (rear panel)



A Digital input (DIGITAL IN) connectors

USB port

Use to input digital audio from a computer. Connect it to a computer's USB port.

Use a commercially-available USB2.0 cable (A-B type) for this connection.

ATTENTION

Before connecting with a Windows computer, you must install the dedicated driver on the computer (page 19). Proper connection is not possible with a computer that does not have this driver installed.

RCA COAXIAL digital audio input connector

Use this to input digital audio. Connect the coaxial digital audio output connector of a digital audio device to it.

Use a commercially-available RCA coaxial digital cable for connection.

Optical digital audio input (OPTICAL 1) connector

Use this to input digital audio. Connect the optical digital audio output connector of a digital audio device to it.

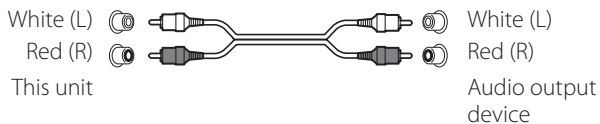
Use a commercially-available optical digital cable with square connectors (TOSLINK) for connection.

B Analog audio input (LINE 1) connectors

Use these to input analog audio. Connect the audio output connectors of a cassette deck, CD player or other audio output equipment to these.

Use commercially-available RCA audio cables for connections.

Connect this unit's R input connector to the R output connector of the audio output device, and this unit's L input connector to the L output connector of the other device.



C Preamp audio output (PRE OUT) connectors

These output analog audio after volume adjustment by this unit.

Connect these RCA connectors to a power amplifier or speakers with built-in amplifiers.

Use commercially-available RCA audio cables for connections.

Connect this unit's R connector to the R connector of the amplifier and its L connector to the L connector of the amplifier.

D Power inlet (~IN)

Connect the supplied power cord here.

After all other connections are complete, connect the power cord's plug to a wall outlet.

! Do not use any power cord other than the one included with this unit. Use of other power cords could result in fire or electric shock.

! Unplug the cord from the outlet when not using the unit for a long time.

! Complete all other connections before turning the unit on.

- Carefully read the manuals of the devices that you are connecting and follow their instructions when making connections.
- Do not bundle connecting cables with power cords. Doing so could cause noise.
- Connect all plugs completely.

Connections (front panel)

Audio input (IN—LINE 2/OPT 2) connector

This connector combines analog (LINE 2) and optical (OPT 2) inputs.

- The unit will automatically switch to analog (LINE 2) or optical (OPT 2) according to the type of plug connected.

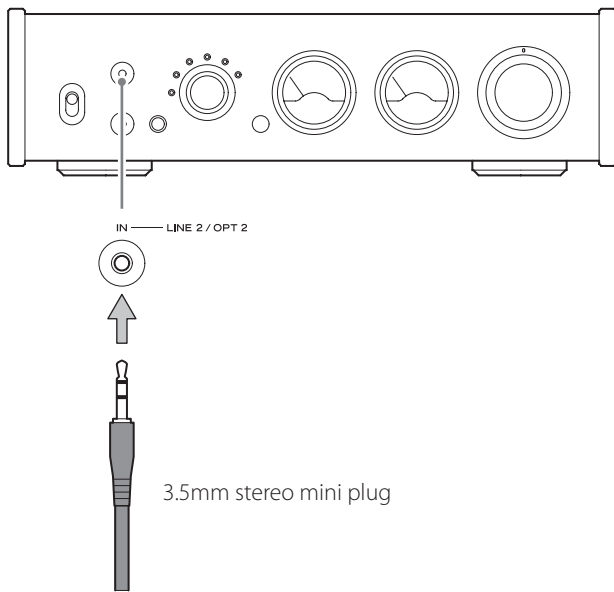
To enable this input, turn the INPUT SELECTOR knob to select LINE 2/OPT 2.

Analog (LINE 2) connection

Use a cable with stereo 3.5mm mini plugs to connect the headphone (or audio output) connector of a portable audio player, for example, to output its audio playback through this unit.

Use a commercially-available cable with a stereo mini plug for connection.

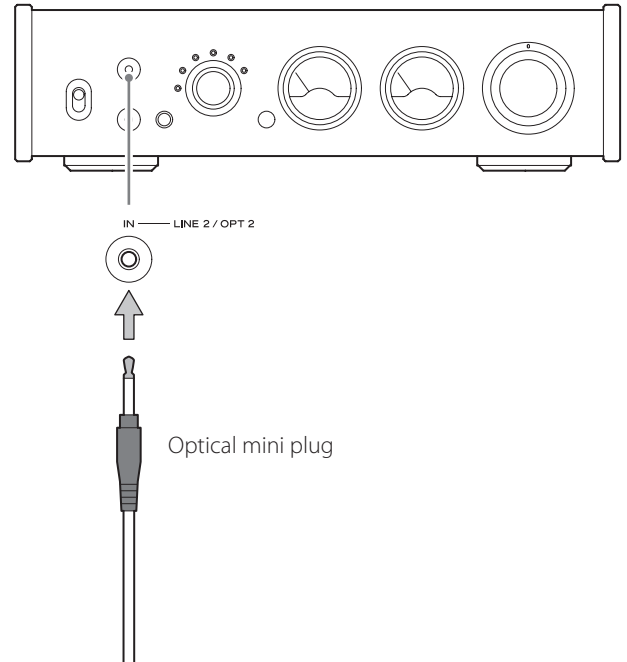
- When connected to the player's headphone connector, adjusting the volume on the player might be necessary to hear its sound from this unit.
- The sound could distort, however, if you raise the volume of the portable music player too much. If this occurs, lower the volume on the connected player until distortions stops and then adjust the volume on this unit.



Optical (OPT 2) connection

Connect the optical digital audio output connector of a digital audio device here.

Use a commercially-available optical cable with a mini plug for connection.



Using the remote control

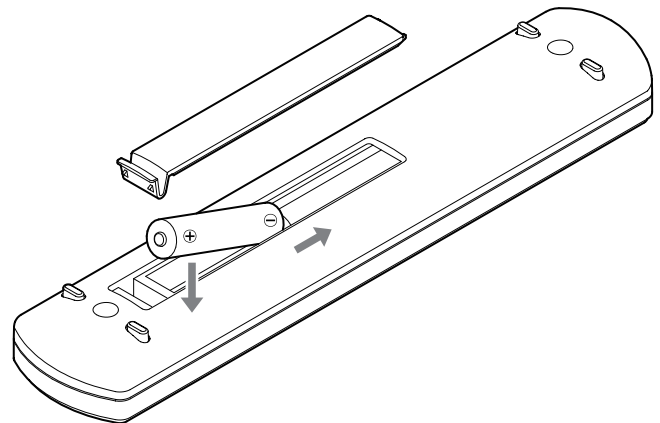
Precautions for use

! Misuse of batteries could cause them to rupture or leak, which might result in fire, injury or the staining of nearby materials. Please carefully read and observe the precautions on page 3.

- When using the remote control, point it toward the remote control signal receiver on the main unit from a distance of 5 m (16 ft) or less. Do not place obstructions between the main unit and the remote control.
- The remote control might not work if the remote control signal receiver on the unit is exposed to direct sunlight or bright light. If this occurs, try moving the unit.
- Beware that use of this remote control could cause the unintentional operation of other devices that can be controlled by infrared rays.

Installing batteries

Remove the cover from the back of the remote control and insert two AAA batteries with their \oplus/\ominus ends oriented in the case as shown. Replace the cover.

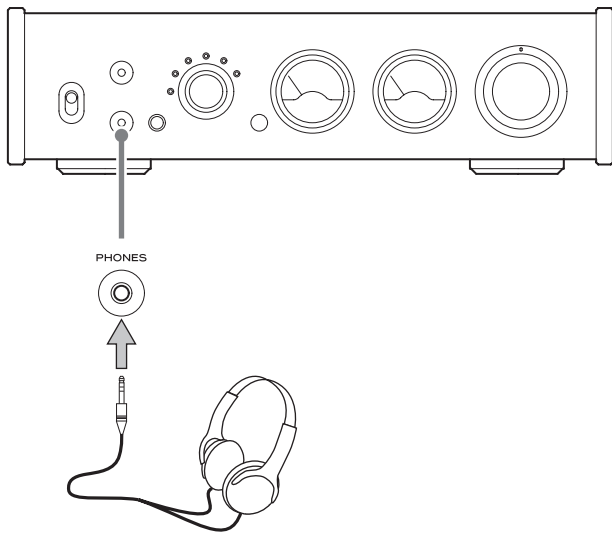


When to replace batteries

If the distance required between the remote and the main unit decreases or if the unit stops responding to the remote buttons, replace both batteries with new ones.

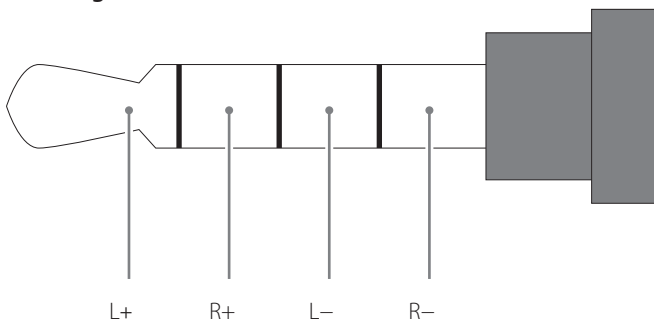
Dispose of the used batteries according to the instructions on them or requirements set by your local municipality.

PHONES jack



- This headphone amp circuit uses a four-pole connector with independent left and right for grounding. Ordinary 3.5mm stereo mini plugs with 3 or 4 poles can be used.

Wiring illustration



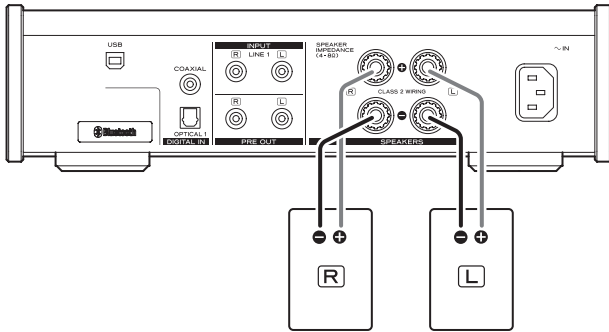
! CAUTION

While wearing headphones, do not connect or disconnect them, turn the unit on or off, or switch the headphone amp gain.

Doing so could result in a sudden loud noise that could harm your hearing.

Always set the volume to minimum ($-\infty$ dB) before putting headphones on.

Connecting speakers



⚠ Precautions when making connections

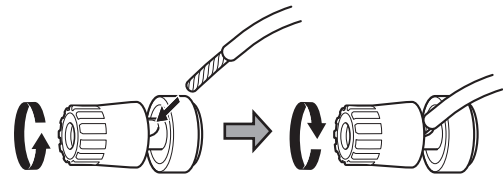
- After completing all other connections, insert the power plug into a power outlet.
- Carefully read the manuals of the devices that you are connecting and follow their instructions when making connections.

ATTENTION

- This unit is compatible with speakers that have 4–8Ω nominal impedance. If speakers with impedance of less than 4 Ω are used, the protection circuit could operate, causing sound output to stop. In some cases, this unit or the speakers could be damaged.
- The red speaker terminals are positive (⊕) and the black speaker terminals are negative (⊖). Generally, the ⊕ wire of the speaker cable is marked to distinguish it from the ⊖ wire of the cable. Connect the marked wire to the red ⊕ terminal and the unmarked wire to the black ⊖ terminal.
- If the exposed core wires at the tips of the speaker cables should touch other cables or terminals, an electrical short might occur.
- Never allow speaker cables to cause a short.
- To prevent hum and noise, avoid bundling the cables together with the AC power cord or other cables.

How to connect speakers

- 1** Remove about one centimeter of insulation from the end of the speaker cable and twist the core wires well.
- 2** Turn the terminal cap counterclockwise to loosen it.
- 3** Insert the wire into the hole in the terminal post and turn the terminal cap clockwise to securely connect it.



- Connect it so that none of the wire insulation is touching the terminal.

- 4** Confirm that the cable is fastened securely by gently pulling the cable.

Connecting with banana plugs

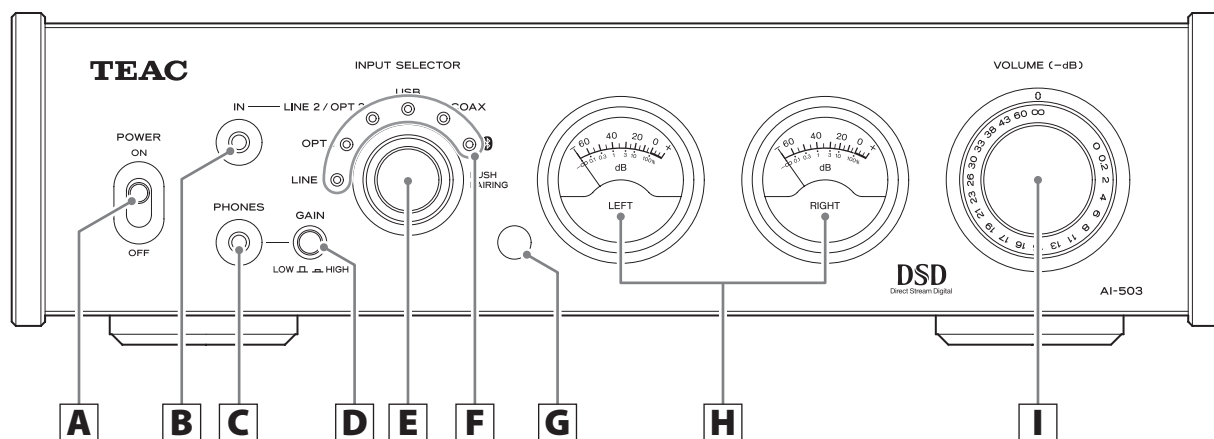
You can also make connections using commercially-available banana plugs. First, connect the banana plugs to the speaker cables and then connect the plugs to the terminals.

- Keep the caps tightened when in use.
- Carefully read the instructions for the banana plugs that you are using.

Notice about the European model

In accordance with European safety regulations, connecting banana plugs to speaker terminals is not allowed on European models. The holes into which banana plugs could be inserted have been covered with black caps. Connect speakers using bare wires or spade lugs. If a black cap should become separated from its terminal, return it to its original position.

Names and functions of parts (main unit)



EN

A POWER switch

Use to turn the unit on and off.

- If all the input indicators are dark even though the POWER switch is set to ON, the cause is usually one of the following.
 - The remote control STANDBY/ON button has been pressed or the automatic power saving function has activated, putting the unit into standby.
 - The power cord is disconnected.

To turn the unit on from standby, press the remote control STANDBY/ON button, or set the POWER switch to OFF once and then back to ON.

B Audio input (IN — LINE 2/OPT 2)

Use this to input audio (page 10).

Analog: Use a cable with a 3.5mm stereo mini plug.

Optical: Use an optical cable with a mini plug.

C PHONES jack

Connect headphones (3.5mm stereo mini plug) here (page 11).

- This headphone amp circuit uses a four-pole connector with independent left and right for grounding. Ordinary plugs with 3 or 4 poles can be used.
- If headphones are connected here, audio will not be output from the speaker (SPEAKERS) terminals or preamp audio output (PRE OUT) connectors on the back of the unit.

D GAIN button


Use to switch the headphone amp gain.

E INPUT SELECTOR knob

Use to select the input source.

The indicator lights next to the selected input source.

The indicators blink to show when the filter is being changed and audio is muted, for example.

- Press when  (Bluetooth) is selected to enable pairing.

F Input source indicators

G Remote control signal receiver

This receives signals from the remote control. When operating the remote control, point it at the remote control signal receiver.

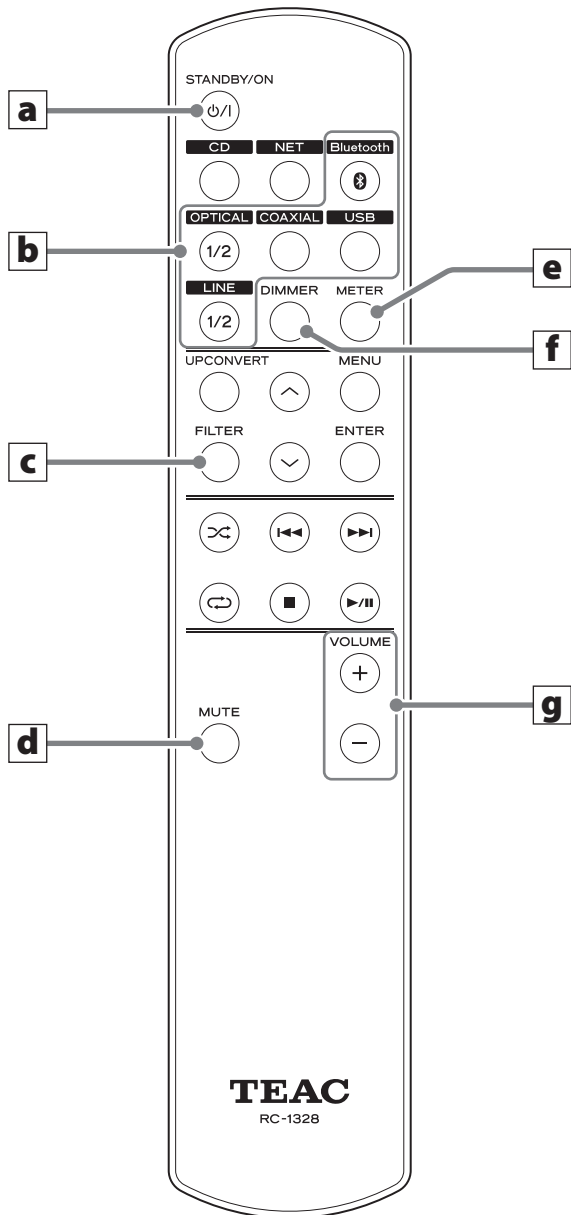
H Level meters

These show the output levels.

I VOLUME knob

Use to adjust the volume output from connected speakers or headphones. Turn right to increase and left to decrease the volume.

Names and functions of parts (remote control)



a STANDBY/ON button

Press to put the unit into standby mode or turn it on.

b Input selection buttons

Use to select the playback source.

- The CD and NET buttons are not used with this unit.

c FILTER button

Use to change the filter setting.

This changes the filter according to the input (PCM or DSD) (page 16).

d MUTE button

Press this button to temporarily mute the sound (page 16).

e METER button

Press to turn level meter operation on and off (page 16).

f DIMMER button

Use to change the brightness of the level meters and input source indicators (page 16).

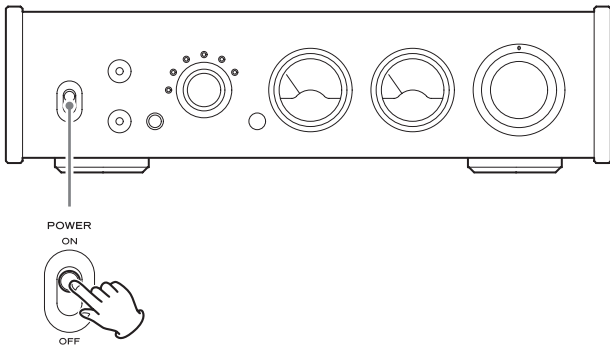
g VOLUME (+/-) buttons

Use these buttons to adjust the volume.

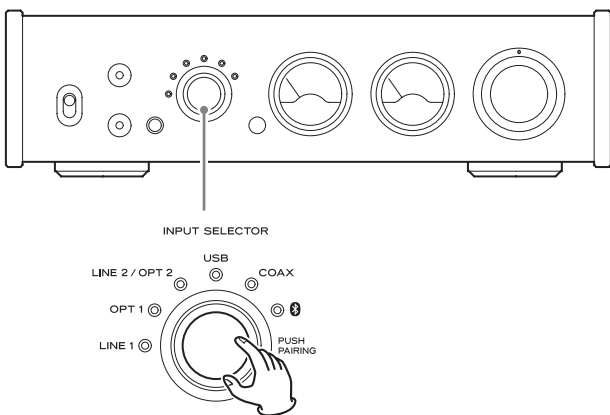
Pressing these buttons will turn the VOLUME knob on the main unit.

- When the main unit and the remote control both have buttons with the same functions, this manual explains how to use one of the buttons. The other corresponding button can be used in the same manner.
- Only buttons that can be used with this unit are explained.


- 1** Shift the **POWER** switch to its **ON** position to turn the unit on.



- 2** Turn the **INPUT SELECTOR** knob to select the input source.



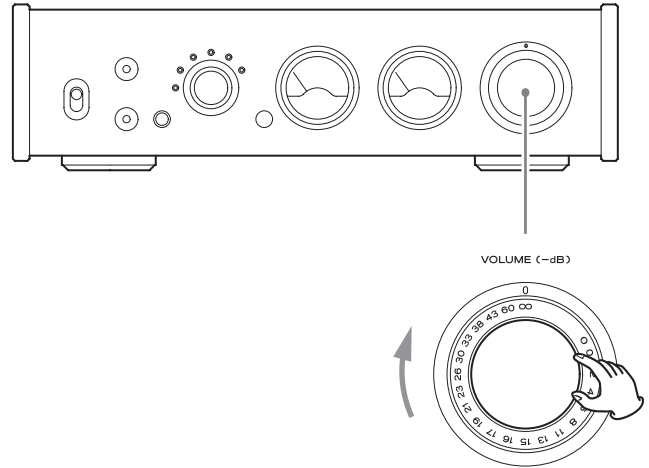
The indicator lights for the selected source.

- When a digital input (OPT 1, OPT 2, USB, COAX or ) is selected, no audio will be output if the input signal is not a digital audio signal or is an audio signal format that is not supported by this unit, such as Dolby Digital, DTS or AAC. Set the digital output of the connected device to PCM audio output.
- To use a Windows computer to play back audio files through this unit when set to USB, you must install a dedicated driver on the computer before connecting them (page 19).
- The DSD format can only be played back through this unit when connected to a computer by USB.

- 3** Start playback on the connected source device.

Refer to the operation manual of that device.

- 4** Adjust the volume.



Turn this unit's VOLUME knob to adjust the volume.

- You can also do this with the VOLUME (+/-) buttons on the remote control.
- If headphones are connected to this unit, audio will not be output from the speaker (SPEAKERS) terminals or preamp audio output (PRE OUT) connectors on the back of the unit.

Automatic power saving function

This unit has an automatic power saving function.

If the automatic power saving function is set to on, the unit will automatically enter standby mode if there is no audio input when the input source is LINE or if no input signal is locked and no operation occurs for about 30 minutes when the input source is anything else.

You can check the automatic power saving setting by looking at the input source indicators immediately after turning the unit on.

All indicators lit: Automatic power saving function off

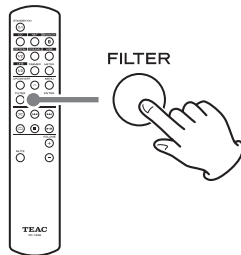
No indicators lit: Automatic power saving function on

To switch the automatic power saving function between on and off, when the unit is in standby, press the remote control STANDBY/ON button for three seconds until all the input indicators blink.

Basic operation (continued)

Filter

Press the remote control FILTER button once to light the input indicators that show the current filter setting. Press it again to change the filter setting.



The filter settings shown by the lit indicators are shown in the tables below.

For PCM audio sources

Filter	Lit indicators
OFF	LINE 1, OPT 1
FIR Sharp	OPT 1, LINE 2/OPT 2
FIR Slow	LINE 2/OPT 2, USB
Short delay Sharp	USB, COAX
Short delay Slow	COAX,

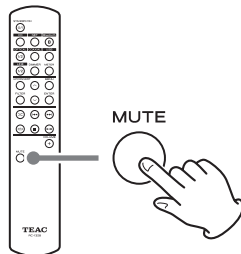
For DSD audio sources

Cutoff frequency	Lit indicators
50 kHz	LINE 1, OPT 1, LINE 2/OPT 2
150 kHz	USB, COAX,

Muting playback

If you want to temporarily mute the volume of this unit, press the MUTE button on the remote control.

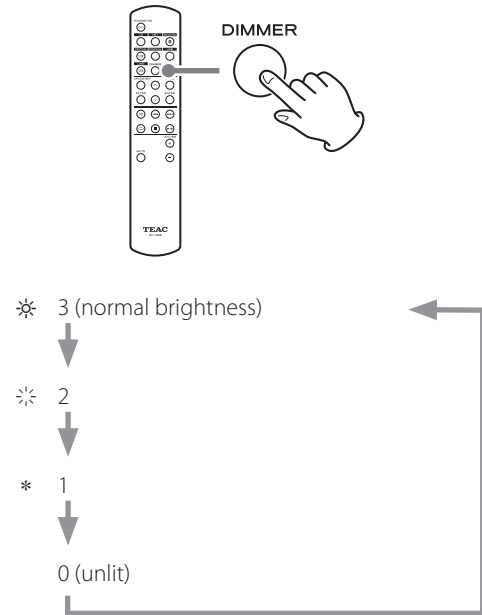
Press the MUTE button on the remote control again to return to the previous volume level.



- When muted, the indicator for the selected source lights alternately with the other indicators.

Dimmer

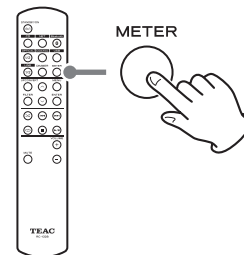
Each time you press the remote control DIMMER button, the brightness of the level meters and input source indicators changes as follows.



- Even when 0 (unlit) is selected, the input source indicator will stay lit very dimly.

Level meters

Press the remote control METER button to switch level meter operation on and off.



- When level meter operation is turned off, the meter backlights will also become unlit.

Bluetooth notes

When using this unit with a mobile phone or other Bluetooth devices, they should be no more than about 10 m (33 ft) apart. Depending on the circumstances of use, however, the effective transmission distance might be shorter.

Wireless communication with every device that supports Bluetooth wireless technology is not guaranteed.

To determine the compatibility between this unit and another device that supports Bluetooth wireless technology, refer to that device's operation manual or contact the shop where you purchased it.

Profiles

This unit supports the following Bluetooth profiles.

- A2DP (Advanced Audio Distribution Profile)
- AVRCP (Audio/Video Remote Control Profile)

In order to transfer audio using Bluetooth wireless transmission, the Bluetooth device must support A2DP.

In order to control playback on the Bluetooth device, it must support AVRCP.

Even if a Bluetooth device supports the same profiles, though, its functions might differ according to its specifications.

Codecs

This unit supports the following codecs. It will automatically select one of them during audio transfer.

- SBC
- AAC
- Qualcomm® aptX™
- LDAC

The unit will select the appropriate codec to use according to the codec compatibility of the other Bluetooth device and communication conditions.

LDAC is an audio coding technology developed by Sony that enables the transmission of High-Resolution (Hi-Res) Audio content, even over a Bluetooth connection. Unlike other Bluetooth compatible coding technologies such as SBC, it operates without any down-conversion of the Hi-Res Audio content*, and allows approximately three times more data** than those other technologies to be transmitted over a Bluetooth wireless network with unprecedented sound quality, by means of efficient coding and optimized packetization.

* excluding DSD format contents

** in comparison with SBC (Subband Coding) when the bitrate of 990 kbps (96/48 kHz) or 909 kbps (88.2/44.1 kHz) is selected

NOTE

You cannot select the codec to be used by pressing a button, for example.

Due to characteristics of Bluetooth wireless technology, playback from a Bluetooth device will be slightly delayed compared to playback from this unit.

Content protection

This unit supports SCMS-T as a form of content protection when transmitting audio, so it can play protected audio.

Transmission security

This unit supports security functions during Bluetooth wireless transmission in accordance with the Bluetooth standard specifications, but it does not guarantee the privacy of such transmissions. TEAC CORPORATION will bear no responsibility should an information leak occur during Bluetooth wireless transmission.

Pairing with another Bluetooth device

Pairing this unit with another Bluetooth device is necessary the first time it is used and when connecting to a different Bluetooth device for the first time.

- When pairing or connecting with another Bluetooth device, they should be within a few meters of each other. If they are too far apart, pairing and connection afterwards might become impossible.

1 Turn the INPUT SELECTOR knob to select (Bluetooth).

This sets the mode to Bluetooth.

- The Bluetooth indicator blinks and connection with other Bluetooth devices becomes possible.

2 Enable Bluetooth transmission on the other Bluetooth device.

3 Press the INPUT SELECTOR knob to enter pairing mode.

When this unit is ready to pair, its  indicator flashes rapidly.

4 On the other Bluetooth device, select "AI-503" (this unit).

After preparing this unit to pair, conduct pairing using the other Bluetooth device.

For details, refer to the operation manual of that Bluetooth device.

- When this unit and the other Bluetooth device are connected, the Bluetooth indicator stops flashing and stays lit.

Bluetooth® wireless technology (continued)

Playback from a Bluetooth device


- Pair this unit the first time you use it and when you want to connect it with a different Bluetooth device for the first time (page 17).
- When pairing or connecting with another Bluetooth device, they should be within a few meters of each other. If they are too far apart, pairing and connection afterwards might become impossible.

1 Turn the INPUT SELECTOR knob to select (Bluetooth).


This sets the mode to Bluetooth.

- The Bluetooth indicator blinks and connection with other Bluetooth devices becomes possible.

2 Enable Bluetooth transmission on the other Bluetooth device.

When the input source of this unit is set to  and the other Bluetooth device is on, the Bluetooth function will be active and they will connect automatically.

If they do not connect automatically, however, you can connect them manually.

- When  is selected for this unit, the Bluetooth device that was last connected to it will automatically be connected again. If you want to connect with a different Bluetooth device, conduct pairing with that device.
- If the Bluetooth indicator on this unit continues to blink for 30 minutes, it will automatically enter standby mode. To use this unit, you must turn it on again.

ATTENTION

Regardless of the connection status of this unit and the other Bluetooth device, if the Bluetooth indicator continues blinking for a long time, restart both this unit and the other device and then reconnect them.

3 Start playback on the other Bluetooth device.

Confirm that the volume is turned up on the other Bluetooth device. If you do not turn up the volume on the playback device, no sound might be output from this unit.

- Depending on the connected Bluetooth device, you might not be able to adjust the volume. For details, refer to the operation manual of that Bluetooth device.

4 Turn the VOLUME knob to adjust the volume.

- You can also do this with the VOLUME (+/-) buttons on the remote control.
- If headphones are connected to this unit, audio will not be output from the speaker (SPEAKERS) terminals or preamp audio output (PRE OUT) connectors on the back of the unit.

Installing the driver on a computer

This unit can be connected with computers running the following operating systems. Operation with other operating systems is not guaranteed (as of October, 2016).

When using Mac

The driver works with the following versions.

OS X Lion (10.7)
OS X Mountain Lion (10.8)
OS X Mavericks (10.9)
OS X Yosemite (10.10)
OS X El Capitan (10.11)
macOS Sierra (10.12)

This unit can be used with the standard OS driver. For this reason, there is no need to install a special driver or anything else.

When using Windows

The driver works with the following versions.

Windows 7 (32/64-bit)
Windows 8 (32/64-bit)
Windows 8.1 (32/64-bit)
Windows 10 (32/64-bit)

Installing the driver on the computer

In order to play audio files stored on a computer through this unit, you must install a dedicated driver on that computer beforehand. Download the dedicated driver from the TEAC Global Site.

TEAC Global Site

<http://teac-global.com/>

ATTENTION

Install the dedicated driver before connecting the unit with the computer by USB.

If you connect this unit with a computer before installing the driver, it will not work properly.

- For instructions about driver installation procedures, access the Downloads page from the TEAC Global site (<http://teac-global.com/>).
- Depending on the combination of hardware and software, proper operation might not be possible even with the above operating systems.

About transmission mode

This unit connects using high-speed asynchronous mode.

The sampling frequencies that can be transmitted are 44.1, 48, 88.2, 96, 176.4, 192, 352.8 and 384 kHz.

When properly connected, you will be able to select "TEAC USB AUDIO DEVICE" as an audio output from the computer OS.

- In asynchronous mode, the audio data sent from the computer is processed using this unit's clock, reducing data transmission jitter.

Downloading playback application TEAC HR Audio Player

You can download Mac and Windows versions of our free TEAC HR Audio Player application that supports playback of DSD files from the TEAC Global Site (<http://teac-global.com/>).

TEAC HR Audio Player setting note

To play 11.2MHz DSD recordings with TEAC HR Audio Player, open the Configure window and set the "Decode mode" to "DSD Native."

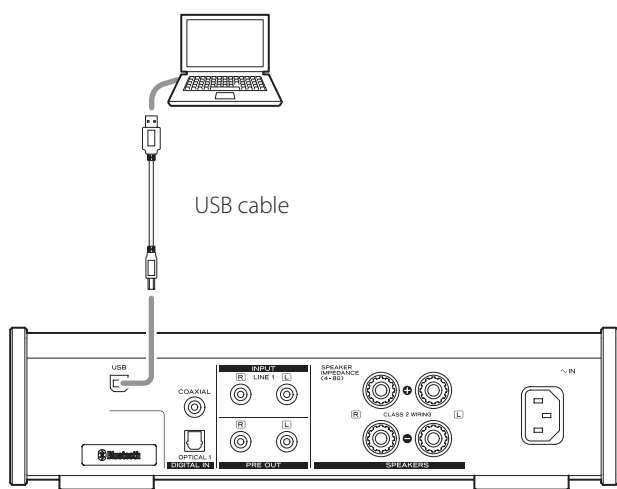
To play formats other than 11.2MHz DSD, you can set this to either "DSD over PCM" or "DSD Native" as you like.

For details, see "Selecting DSD decoding mode" in the TEAC HR Audio Player Owner's Manual.

Playing back music on a computer (continued)

Playing back audio files from a computer

1 Connect this unit to the computer using a USB cable.

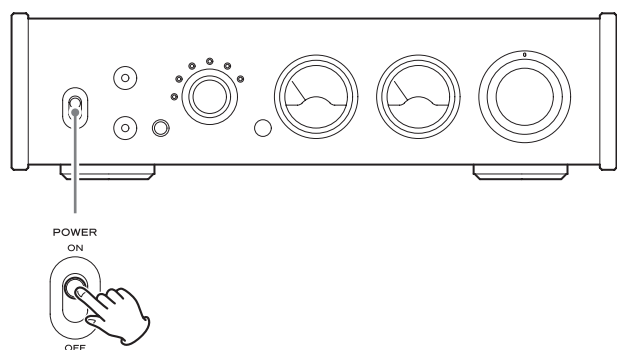


- Use a commercially-available USB2.0 cable (A-B type) for this connection.

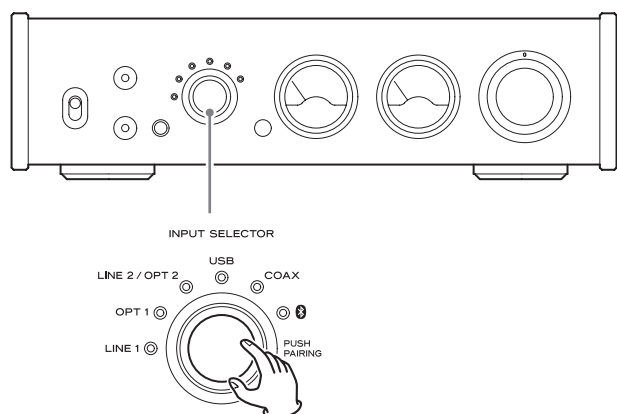
2 Turn the computer on.

- Confirm that the operating system has started properly.

3 Shift the POWER switch to its ON position to turn the unit on.



4 Turn the INPUT SELECTOR knob to select USB.



5 Start playback of an audio file on the computer.

Better sound quality can be achieved by maximizing the computer output volume and adjusting the volume output of this unit.

Minimize this unit's volume before starting playback. Then, gradually turn it up.

When using headphones connected to this unit, turn the VOLUME knob counterclockwise to minimize the volume before putting them on. Then, gradually increase it.

- The computer and this unit cannot control each other.
- Do not do any of the following when playing back an audio file via USB. Doing so could cause the computer to malfunction. Always quit the audio playback software before doing any of the following.
 - Unplugging the USB cable
 - Turning this unit off
 - Changing the current input selection
- When playing back an audio file via USB, computer operation sounds will also be output. If you do not want these sounds to be output, make appropriate settings on the computer to turn them off.
- If you connect this unit with the computer or change its input to USB after starting the audio playback software, audio files might not play back correctly. If this should occur, restart the audio playback software or restart the computer.

If you experience a problem with this unit, please check the following items before requesting service. If it still does not operate correctly, contact the retailer where you purchased the unit.

General

The unit does not turn on.

- ➔ Check that the power cord is completely plugged into the power outlet. If the outlet is switched, confirm that the switch is in the ON position.
- ➔ Connect a different electrical device to the outlet to confirm that it is supplying power.
- ➔ If the automatic power saving function has caused the unit to enter standby, press the remote control STANDBY/ON button to turn the unit on again.

No sound is output.

- ➔ Adjust the VOLUME knob. Turn it clockwise (right) to increase the volume.
- ➔ Use the INPUT SELECTOR knob to select the input that is connected to the source that you want to hear.
- ➔ Reconfirm the connections with other equipment.

There is a humming noise.

- ➔ If a connecting cable is near a power cord, fluorescent light or similar cause of interference, increase the distance between them as much as possible.

There is no sound from one side of the headphones.

- ➔ Confirm that the headphones plug is inserted completely.

Sound output suddenly stopped.

The level meter lights are blinking and no sound is output.

- ➔ Heat might have caused the protection circuit to activate. Set the POWER switch to OFF once, and wait several minutes before restarting the unit.
- ➔ The + and – speaker cables might have shorted. In this case, turn the unit off and check the speaker cable connections.

Automatic power saving caused the unit to enter standby.

- ➔ Shift the POWER switch to OFF once and then turn the unit back on.

Computer connection

Computer does not recognize this unit.

- ➔ See page 19 for information about supported computer operating systems. Operation with unsupported operating systems is not guaranteed.

Noise occurs.

- ➔ Starting other applications during playback of an audio file may interrupt playback or cause noise. Do not start other applications during playback.
When the unit is connected to a computer via a USB hub, for example, noise might be heard. If this occurs, connect the unit directly to the computer.

Audio files cannot be played back.

- ➔ Connect this unit to the computer, and set this unit's input to USB before launching audio playback software.
If you connect this unit to the computer or set its input to USB after launching audio playback software, audio files might not play back properly.

This unit uses a microprocessor, so noise and other external interference could cause it to stop functioning properly. If this occurs, unplug the power cord, wait for a while, and then turn the unit on again and restart operations.

Specifications

Speaker outputs

Maximum output	60 W + 60 W (10% distortion, 1 kHz, 4 Ω) 30 W + 30 W (10% distortion, 1 kHz, 8 Ω)
Rated output	43 W + 43 W (1% distortion, 1 kHz, 4 Ω) 22 W + 22 W (1% distortion, 1 kHz, 8 Ω)
Allowable speaker impedance	4–8 Ω
Total harmonic distortion	0.005% or less (1 kHz, 8 Ω, 1 W)
S/N ratio	100 dB or more (analog input, when 8Ω load, rated output, A-weighted)
Frequency response	10 Hz – 100 kHz (+1/–3 dB) (8 Ω, 1 W, analog input)

PRE OUT audio outputs

RCA connectors	1 pair (L/R)
Output impedance	150 Ω
Frequency response	10 Hz – 100 kHz (+1/–3 dB) (analog input, when 200mVrms output)
S/N ratio	103 dB or more (analog input, when 1kHz/2Vrms output, A-weighted)
Total harmonic distortion	0.005% or less (analog input, when 1kHz/2Vrms output, 20kHz LPF)

Headphones output

3.5mm 4-pole stereo mini jack	1
Practical maximum output	280 mW + 280 mW (GAIN set to HIGH, into 32Ω load, distortion 10%)
Compatible impedance range	16–600 Ω

Analog audio inputs

RCA connectors	1 pair (L/R)
Input impedance	30 kΩ
Maximum input	2 Vrms
3.5mm stereo mini jack*	1
Input impedance	22 kΩ
Maximum input	2 Vrms

Digital audio inputs

COAXIAL digital	
RCA connector	1
OPTICAL digital	
Square (TOSLINK) connector	1
Round connector*	1 (–24.0 to –14.5dBm peak)
USB-B port	1 (USB 2.0 standard)
PCM data sampling frequency	
COAXIAL digital	32 kHz, 44.1 kHz, 48 kHz, 88.2 kHz, 96 kHz, 176.4 kHz, 192 kHz
OPTICAL digital	32 kHz, 44.1 kHz, 48 kHz, 88.2 kHz, 96 kHz, 176.4 kHz, 192 kHz
USB	44.1 kHz, 48 kHz, 88.2 kHz, 96 kHz, 176.4 kHz, 192 kHz 352.8 kHz, 384 kHz
Quantization bit depth	
COAXIAL digital/OPTICAL digital	16/24-bit
USB	16/24/32-bit
DSD data sampling frequency	
COAXIAL digital/OPTICAL digital	2.8 MHz (supported using 176.4kHz/24-bit DoP transmission)
USB	2.8 MHz, 5.6 MHz, 11.2 MHz

*This is a combined analog (LINE 2) and optical (OPT 2) input connector.

Bluetooth function

Bluetooth version.....	4.0
Output class.....	Class 2
(transmission distance without obstructions*.....)	10 m)
Supported profiles.....	A2DP, AVRCP
Supported A2DP codecs.....	SBC, AAC, Qualcomm® aptX™, LDAC
Supported A2DP content protection.....	SCMS-T
Maximum number of stored pairings.....	8

*The transmission distance is approximate. The transmission distance could vary depending on the surrounding environment and electromagnetic waves.

General

Power supply	
Model for Europe.....	AC 220–240 V, 50/60 Hz
Model for U.S.A./Canada.....	AC 120 V, 60 Hz
Power consumption.....	38 W
Standby power.....	0.5 W or less (in standby mode)
External dimensions	
	290 mm × 81.2 mm × 264 mm (11 1/2" × 3 1/4" × 10 1/2")
	(W × H × D including protrusions)
Weight.....	3.7 kg (8 1/4 lb)
Operating temperature.....	+5°C to +35°C
Operating humidity range.....	5% to 85% (no condensation)
Storage temperature range.....	–20°C to +55°C

Included items

Power cord × 1
Remote control (RC-1328) × 1
Batteries for remote control (AAA) × 2
Owner’s manual (this document, including warranty) × 1

- Design and specifications are subject to change without notice.
- Weight and dimensions are approximate.
- Illustrations in this manual might differ slightly from production models.

INSTRUCTIONS DE SÉCURITÉ IMPORTANTES



Le symbole d'éclair à tête de flèche dans un triangle équilatéral sert à prévenir l'utilisateur de la présence dans l'enceinte du produit d'une « tension dangereuse » non isolée d'une grandeur suffisante pour constituer un risque d'électrocution pour les personnes.



Le point d'exclamation dans un triangle équilatéral sert à prévenir l'utilisateur de la présence d'instructions importantes de fonctionnement et de maintenance (entretien) dans les documents accompagnant l'appareil.

AVERTISSEMENT : POUR PRÉVENIR LES RISQUES D'INCENDIE ET D'ÉLECTROCUTION, N'EXPOSEZ PAS CET APPAREIL À LA PLUIE NI À L'HUMIDITÉ.

ATTENTION

- NE RETIREZ PAS LES CAPOTS EXTERNES OU BOÎTIERS POUR EXPOSER L'ÉLECTRONIQUE. AUCUNE PIÈCE INTERNE N'EST RÉPARABLE PAR L'UTILISATEUR.
 - SI VOUS RENCONTREZ DES PROBLÈMES AVEC CE PRODUIT, CONTACTEZ LE MAGASIN OÙ VOUS AVEZ ACHETÉ L'UNITÉ. N'UTILISEZ PAS LE PRODUIT TANT QU'IL N'A PAS ÉTÉ RÉPARÉ.
 - L'UTILISATION DE COMMANDES, DE RÉGLAGES OU LE SUIVI DE PROCÉDURES AUTRES QUE CE QUI EST DÉCRIT DANS CE DOCUMENT PEUT PROVOQUER UNE EXPOSITION À UN RAYONNEMENT DANGEREUX.
- 1) Lisez ces instructions.
 - 2) Conservez ces instructions.
 - 3) Tenez compte de tous les avertissements.
 - 4) Suivez toutes les instructions.
 - 5) N'utilisez pas cet appareil avec de l'eau à proximité.
 - 6) Ne nettoyez l'appareil qu'avec un chiffon sec.
 - 7) Ne bloquez aucune ouverture de ventilation. Installez-le conformément aux instructions du fabricant.
 - 8) N'installez pas l'appareil près de sources de chaleur telles que des radiateurs, bouches de chauffage, poêles ou autres appareils (y compris des amplificateurs) dégageant de la chaleur.
 - 9) Ne neutralisez pas la fonction de sécurité de la fiche polarisée ou de terre. Une fiche polarisée a deux broches, l'une plus large que l'autre. Une fiche de terre a deux broches identiques et une troisième broche pour la mise à la terre. La broche plus large ou la troisième broche servent à votre sécurité. Si la fiche fournie

n'entre pas dans votre prise, consultez un électricien pour le remplacement de la prise obsolète.

- 10) Évitez de marcher sur le cordon d'alimentation et de le pincer, en particulier au niveau des fiches, des prises secteur, et du point de sortie de l'appareil.
- 11) N'utilisez que des fixations/accessoires spécifiés par le fabricant.
- 12) Utilisez-le uniquement avec des chariots, socles, trépieds, supports ou tables spécifiés par le fabricant ou vendus avec l'appareil. Si un chariot est utilisé, faites attention à ne pas être blessé par un renversement lors du déplacement de l'ensemble chariot/appareil.
- 13) Débranchez cet appareil en cas d'orage ou de non utilisation prolongée.
- 14) Confiez toute réparation à des techniciens de maintenance qualifiés. Une réparation est nécessaire si l'appareil a été endommagé d'une quelconque façon, par exemple si le cordon ou la fiche d'alimentation est endommagé, si du liquide a été renversé sur l'appareil ou si des objets sont tombés dedans, si l'appareil a été exposé à la pluie ou à l'humidité, s'il ne fonctionne pas normalement, ou s'il est tombé.



- L'appareil tire un courant nominal de veille de la prise secteur quand son interrupteur POWER ou STANDBY/ON n'est pas en position ON.
- La fiche secteur est utilisée comme dispositif de déconnexion et doit donc toujours rester disponible.
- Des précautions doivent être prises en cas d'utilisation d'écouteurs ou d'un casque avec le produit car une pression sonore excessive (volume trop fort) dans les écouteurs ou dans le casque peut causer une perte auditive.

ATTENTION

- N'exposez pas cet appareil aux gouttes ni aux éclaboussures.
- Ne placez pas d'objet rempli de liquide sur l'appareil, comme par exemple un vase.
- N'installez pas cet appareil dans un espace confiné comme une bibliothèque ou un meuble similaire.
- L'appareil doit être placé suffisamment près de la prise de courant pour que vous puissiez à tout moment attraper facilement la fiche du cordon d'alimentation.
- Si le produit utilise des piles/batteries (y compris un pack de batteries ou des piles installées), elles ne doivent pas être exposées au soleil, au feu ou à une chaleur excessive.
- PRÉCAUTION pour les produits qui utilisent des batteries remplaçables au lithium : remplacer une batterie par un modèle incorrect entraîne un risque d'explosion. Remplacez-les uniquement par un type identique ou équivalent.

AVERTISSEMENT

Les produits ayant une construction de Classe I sont équipés d'un cordon d'alimentation avec une fiche de terre. Le cordon d'un tel produit doit être branché dans une prise secteur avec terre de sécurité.

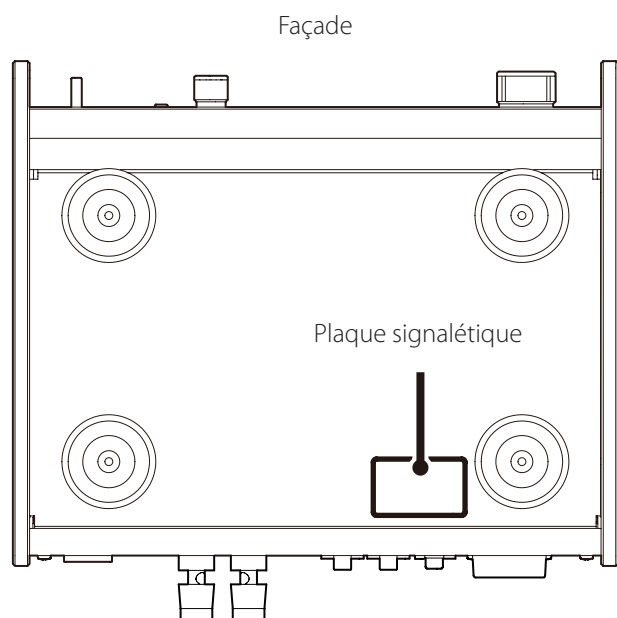
AUX USA/CANADA, UTILISEZ UNIQUEMENT UNE TENSION D'ALIMENTATION DE 120 V.

⚠ Précautions concernant les piles

Un mauvais emploi des piles peut entraîner leur rupture ou leur fuite, avec pour conséquence un incendie, des blessures ou la salissure des objets proches. Veuillez lire et suivre attentivement les précautions suivantes.

- Veillez à insérer les piles avec leurs pôles positif (+) et négatif (-) correctement orientés.
- Utilisez des piles du même type. N'utilisez jamais des types de pile différents ensemble.
- Si la télécommande doit rester inutilisée durant une période prolongée (plus d'un mois), retirez ses piles pour éviter qu'elles ne coulent.
- Si les piles coulent, essuyez le liquide dans le compartiment des piles et remplacez les piles par des neuves.
- N'utilisez pas de piles d'un type autre que celui spécifié. Ne mélangez pas des piles neuves avec des anciennes et n'utilisez pas ensemble des types de pile différents.
- Ne chauffez pas et ne démontez pas les piles. Ne jetez jamais les piles dans un feu ou dans de l'eau.
- Ne conservez et ne transportez pas les piles avec d'autres objets métalliques. Les piles pourraient entrer en court-circuit, couler ou exploser.
- Ne rechargez jamais une batterie sans avoir vérifié qu'elle peut l'être.

La plaque signalétique se trouve sous l'unité comme représenté ci-dessous.



Pour les consommateurs européens

Mise au rebut des équipements électriques et électroniques et des piles et/ou accumulateurs

- Tout équipement électrique/électronique et pile/accumulateur hors d'usage doit être traité séparément de la collecte municipale d'ordures ménagères dans des points de collecte désignés par le gouvernement ou les autorités locales.
- En vous débarrassant correctement des équipements électriques/électroniques et piles/accumulateurs hors d'usage, vous contribuerez à la sauvegarde de précieuses ressources et à la prévention de potentiels effets négatifs sur la santé humaine et l'environnement.
- Le traitement incorrect des équipements électriques/électroniques et piles/accumulateurs hors d'usage peut avoir des effets graves sur l'environnement et la santé humaine en raison de la présence de substances dangereuses dans les équipements.
- Le symbole de déchets d'équipements électriques et électroniques (DEEE), qui représente une poubelle à roulettes barrée d'une croix, indique que les équipements électriques/électroniques et piles/accumulateurs doivent être collectés et traités séparément des déchets ménagers.
Si une pile ou un accumulateur contient plus que les valeurs de plomb (Pb), mercure (Hg) et/ou cadmium (Cd) spécifiées dans la directive sur les piles et accumulateurs (2006/66/CE), alors les symboles chimiques **Pb, Hg, Cd** de ces éléments seront indiqués sous le symbole DEEE.
- Des systèmes de retour et de collecte sont disponibles pour l'utilisateur final. Pour des informations plus détaillées sur la mise au rebut des vieux équipements électriques/électroniques et piles/accumulateurs hors d'usage, veuillez contacter votre mairie, le service d'ordures ménagères ou le magasin dans lequel vous avez acquis l'équipement.

Précautions pour les équipements sans fil

Conformité de l'émetteur radio et brouillage

Modèle pour le Canada

Conformité de l'émetteur radio

Ce dispositif est conforme à la norme CNR-210 d'Industrie Canada applicable aux appareils radio exempts de licence. Son fonctionnement est sujet aux deux conditions suivantes :

- 1) Le dispositif ne doit pas produire de brouillage préjudiciable, et
- 2) Ce dispositif doit accepter tout brouillage reçu, y compris un brouillage susceptible de provoquer un fonctionnement indésirable.

Étiquetage d'autorisation

IC: 1559C-AI503

Conformité de brouillage

CET APPAREIL NUMÉRIQUE DE LA CLASSE B EST CONFORME À LA NORME NMB-003 DU CANADA

Modèle pour l'EEE (Espace Économique Européen)

Ce produit fait fonction d'émetteur large bande sur la bande des 2,4 GHz.

Plage de fréquences utilisée : 2400 MHz – 2480 MHz

Puissance maximale de sortie : Bluetooth® classe 2 (moins de 2,5 mW)



Par la présente, TEAC Corporation déclare que cet équipement radio est en conformité avec la directive 2014/53/UE ainsi qu'avec les autres directives et règlements de la Commission.

Le texte intégral de la déclaration de conformité pour l'UE est disponible à l'adresse internet suivante : veuillez nous contacter par e-mail.

<http://www.teac-audio.eu/en/>

TEAC Corporation

1-47 Ochiai, Tama-shi, Tokyo, 206-8530, Japon

ATTENTION

L'autorisation des dispositifs sans fil varie avec les pays ou régions. Veuillez n'utiliser cet appareil que dans le pays où il a été acheté.

- Selon le pays, des restrictions d'usage de la technologie sans fil Bluetooth peuvent exister.

Vérifiez avant utilisation les lois et réglementations en vigueur dans le pays ou la région dans lequel vous voulez employer l'unité.

Exigences pour l'exposition aux rayonnements

Cet équipement est conforme à la réglementation reconnue internationalement en matière d'exposition humaine aux ondes radio générées par l'émetteur.

Déclaration de conformité

Modèle pour le Canada

Cet équipement est conforme avec les limites d'exposition aux radiofréquences établies pour un environnement non contrôlé par le CNR-102 de l'IC.

Modèle pour l'EEE (Espace Économique Européen)

Cet équipement est conforme à la norme EN.62311 : Évaluation des équipements électroniques et électriques en relation avec les restrictions d'exposition humaine aux champs électromagnétiques ; la norme harmonisée de la Directive 2014/53/UE.

ATTENTION

Les changements ou modifications non expressément approuvés par la partie responsable de la conformité peuvent invalider le droit de l'utilisateur à faire fonctionner l'équipement.

Marques déposées et copyrights

"DSD" is a registered trademark.

The Bluetooth® word mark and logos are registered trademarks owned by Bluetooth SIG, Inc. and any use of such marks by TEAC CORPORATION is under license.

Qualcomm aptX is a product of Qualcomm Technologies International, Ltd.

Qualcomm is a trademark of Qualcomm Incorporated, registered in the United States and other countries, used with permission. aptX is a trademark of Qualcomm Technologies International, Ltd., registered in the United States and other countries, used with permission.

Microsoft and Windows are either registered trademarks or trademarks of Microsoft Corporation in the United States and/or other countries.

Apple, Mac, OSX and macOS are trademarks of Apple Inc.

LDAC™ and LDAC logo are trademarks of Sony Corporation.

Les autres noms de société, noms de produit et logos présents dans ce document sont des marques commerciales ou déposées de leurs détenteurs respectifs.

Sommaire

Nous vous remercions d'avoir choisi TEAC.
Lisez ce mode d'emploi avec attention pour tirer les meilleures performances de cette unité.
Après l'avoir lu, gardez-le en lieu sûr pour vous y référer ultérieurement.

INSTRUCTIONS DE SÉCURITÉ IMPORTANTES.....	24
Précautions pour les équipements sans fil.....	26
Marques déposées et copyrights.....	27
Éléments fournis.....	28
Avant l'utilisation.....	29
Entretien.....	29
Utilisation du site mondial TEAC.....	29
Branchements (face arrière).....	30
Branchements (face avant).....	32
Emploi de la télécommande.....	33
Branchement des enceintes.....	34
Nomenclature et fonctions des parties (unité principale).....	35
Nomenclature et fonctions des parties (télécommande).....	36
Fonctionnement de base.....	37
Technologie sans fil Bluetooth®.....	39
Lecture de musique sur un ordinateur.....	41
Guide de dépannage.....	43
Caractéristiques techniques.....	44

Éléments fournis

Vérifiez que l'emballage contient bien tous les éléments indiqués ci-dessous.

Veillez contacter le magasin dans lequel vous avez acheté cette unité si l'un de ces éléments manque ou a été endommagé durant le transport.

Cordon d'alimentation × 1

Télécommande (RC-1328) × 1

Piles pour télécommande (AAA) × 2

Mode d'emploi (ce document, y compris la garantie) × 1

- Voir pages 68 à 72 pour des informations sur la garantie.

Avant l'utilisation


Précautions concernant l'emplacement

- Placez l'unité sur une surface stable près du système audio que vous allez utiliser avec elle.
- N'installez pas cette unité dans un lieu qui pourrait chauffer. Cela comprend les endroits exposés directement au soleil ou près d'un radiateur, d'un chauffage, d'une cuisinière ou d'autres appareils chauffants. En outre, ne la placez pas au-dessus d'un autre amplificateur ou équipement dégageant de la chaleur. Cela pourrait causer une décoloration, une déformation ou un mauvais fonctionnement.
- Évitez les endroits sujets aux vibrations ou exposés à une poussière excessive, au froid et à l'humidité.
- Quand vous installez cette unité, laissez un peu d'espace (au moins 3 cm) entre elle et les murs et d'autres appareils afin de permettre une bonne dissipation thermique. Si vous la placez par exemple dans un rack, laissez au moins 5 cm de libre au-dessus de l'unité et 10 cm derrière elle. Ne pas laisser ces espaces peut faire monter la température au risque d'entraîner un incendie.
- Ne placez rien sur le dessus de l'unité, pas même des CD, CD-R, disques vinyle ou cassettes. Ne posez pas de tissu sur l'unité et ne placez pas celle-ci sur du linge de maison ou sur une épaisse moquette. Cela pourrait entraîner la surchauffe de l'unité ou l'endommager.
- Ne déplacez pas l'unité durant l'utilisation.
- La tension d'alimentation de l'unité doit correspondre à la tension imprimée sur son panneau arrière. Si vous avez des doutes à ce sujet, consultez un électricien.
- N'ouvrez pas le boîtier de l'unité car cela peut endommager le circuit ou causer un choc électrique. Si un objet étranger pénètre dans l'unité, consultez votre revendeur.
- Quand vous débranchez le cordon d'alimentation de la prise secteur, tirez toujours sur sa fiche, jamais sur le cordon.

Entretien

Essuyez les saletés du capot supérieur et des autres surfaces au moyen d'un chiffon doux légèrement humidifié avec un nettoyant neutre dilué.

N'utilisez pas de lingettes de nettoyage imbibées de produit chimique, de diluant ou d'autres agents chimiques. Cela pourrait endommager la surface.

 **Pour votre sécurité, débranchez le cordon d'alimentation de la prise secteur avant tout nettoyage.**

FR

Utilisation du site mondial TEAC

Vous pouvez télécharger des mises à jour pour cette unité depuis le site mondial TEAC :

<http://teac-global.com/>

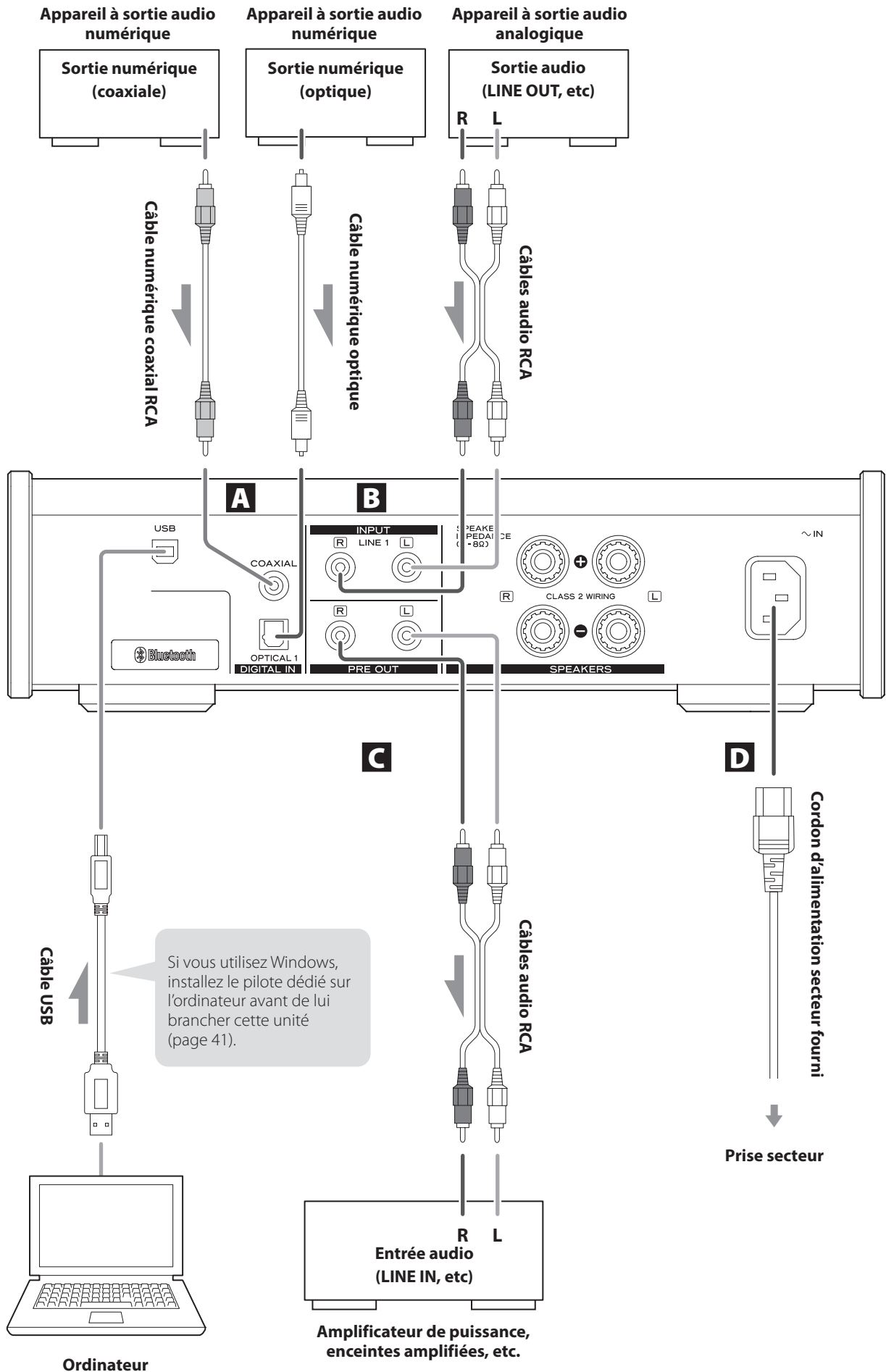
- 1) Allez sur le site mondial TEAC.
- 2) Dans la section TEAC Downloads (téléchargements TEAC), cliquez sur la langue souhaitée afin d'ouvrir la page de téléchargement du site web pour cette langue.

NOTE

Si la langue désirée n'apparaît pas, cliquez sur Other Languages (autres langues).

- 3) Cliquez sur la section « Search by Model Name » (recherche par nom de modèle) afin d'ouvrir la page Downloads (téléchargements) pour ce produit (les utilisateurs en Europe doivent cliquer sur le nom du produit dans la section « Products » (produits)).
- 4) Sélectionnez et téléchargez les mises à jour nécessaires.

Branchements (face arrière)



A Prises d'entrée numérique (DIGITAL IN)

Port USB

Sert à recevoir l'audio numérique d'un ordinateur. Reliez-le au port USB d'un ordinateur.

Pour le branchement, utilisez un câble USB 2.0 (type A-B) du commerce.

ATTENTION

Avant de brancher un ordinateur sous Windows, vous devez installer le pilote dédié sur celui-ci (page 41).

Une connexion correcte n'est pas possible avec un ordinateur sur lequel ce pilote n'a pas été installé.

Prise d'entrée audio numérique coaxiale sur RCA (COAXIAL)

Sert à recevoir l'audio numérique. Raccordez-y la prise de sortie audio numérique coaxiale d'un appareil audio numérique.

Pour le branchement, utilisez un câble numérique coaxial RCA du commerce.

Prise d'entrée audio numérique optique (OPTICAL 1)

Sert à recevoir l'audio numérique. Branchez-y la prise de sortie audio numérique optique d'un appareil audio numérique.

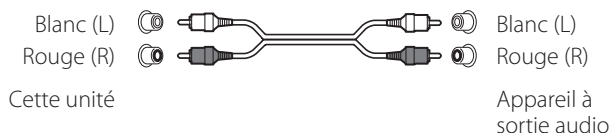
Pour le branchement, utilisez un câble numérique optique du commerce à connecteurs carrés (TOSLINK).

B Prises d'entrée audio analogique (LINE 1)

Servent à recevoir l'audio analogique. Branchez-y les prises de sortie audio d'une platine cassette, d'un lecteur de CD ou autre équipement à sortie audio.

Utilisez des câbles audio RCA du commerce pour les branchements.

Reliez la prise d'entrée R (droite) de cette unité à la prise de sortie audio R de l'appareil source, et la prise d'entrée L (gauche) de cette unité à la prise de sortie L de l'autre appareil.



C Prises de sortie audio du préampli (PRE OUT)

Elles produisent le signal audio analogique après réglage du volume par cette unité.

Raccordez ces prises RCA à un amplificateur de puissance ou à des enceintes amplifiées.

Utilisez des câbles audio RCA du commerce pour les branchements.

Reliez la prise R (droite) de cette unité à la prise R de l'amplificateur et sa prise L (gauche) à la prise L de l'amplificateur.

D Prise d'entrée d'alimentation (~IN)

Branchez ici le cordon d'alimentation fourni.

Une fois tous les autres branchements terminés, raccordez la fiche du cordon d'alimentation à une prise secteur.

⚠ N'utilisez aucun cordon d'alimentation autre que celui fourni avec cette unité. L'utilisation d'autres cordons d'alimentation peut entraîner un incendie ou un choc électrique.

⚠ Débranchez le cordon de la prise secteur en cas de non-utilisation prolongée de l'unité.

⚠ Terminez tous les branchements avant de mettre l'unité sous tension.

- Lisez attentivement les modes d'emploi des appareils que vous branchez et suivez leurs instructions quand vous faites les branchements.
- Ne regroupez pas les câbles de connexion avec des cordons d'alimentation. Cela pourrait entraîner des bruits.
- Branchez à fond toutes les fiches.

Branchements (face avant)

Prise d'entrée audio (IN—LINE 2/OPT 2)

Cette prise d'entrée est à la fois analogique (LINE 2) et optique (OPT 2).

- L'unité choisit automatiquement l'entrée analogique (LINE 2) ou optique (OPT 2) en fonction du type de la fiche connectée.

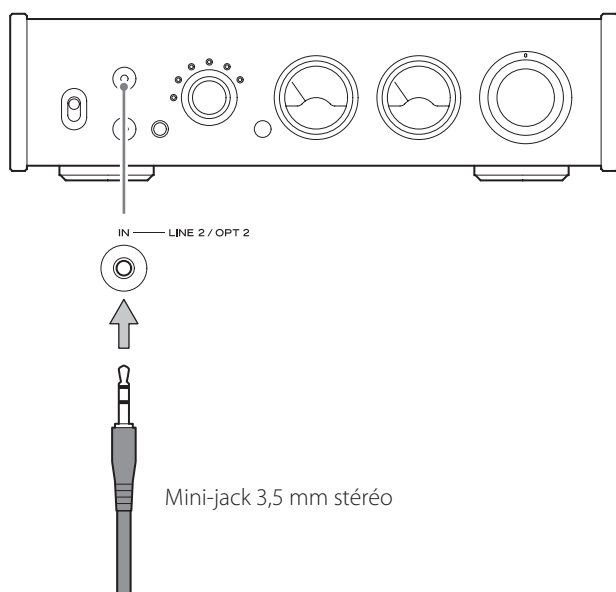
Pour activer cette entrée, sélectionnez LINE 2/OPT 2 avec le sélecteur d'entrée rotatif (INPUT SELECTOR).

Connexion analogique (LINE 2)

Utilisez un câble à mini-jacks 3,5 mm stéréo pour raccorder par exemple la prise casque (ou la sortie audio) d'un lecteur audio portable afin de produire le son de ce dernier au travers cette unité.

Pour la connexion, utilisez un câble du commerce à fiche mini-jack stéréo.

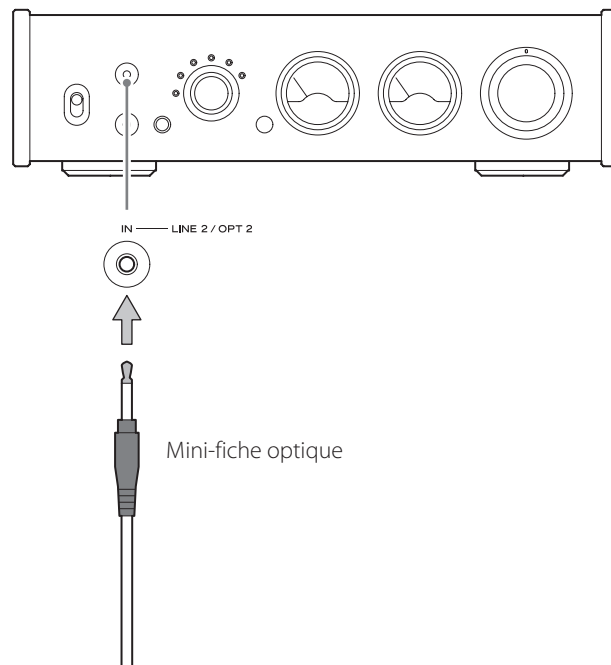
- En cas de raccordement à la prise casque d'un lecteur, il peut être nécessaire de régler le volume sur le lecteur afin d'entendre le son qu'il produit au travers de cette unité.
- Le son peut toutefois souffrir de distorsion si vous montez trop le volume du lecteur de musique portable. Dans ce cas, baissez le volume du lecteur connecté jusqu'à disparition de la distorsion puis réglez le volume sur cette unité.



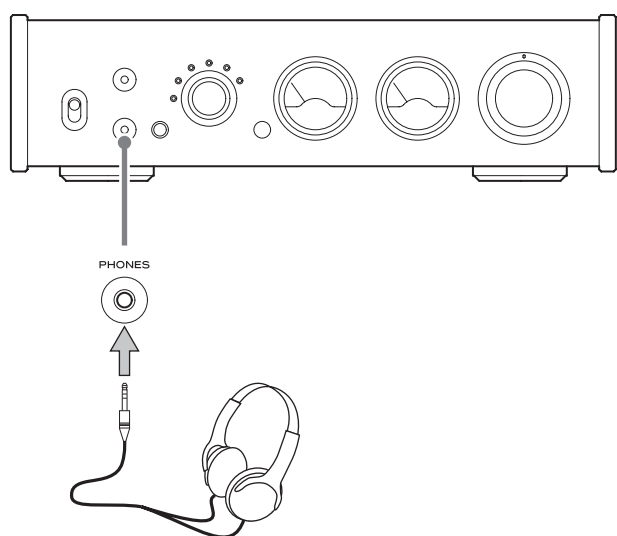
Connexion optique (OPT 2)

Raccordez ici la prise de sortie audio numérique optique d'un appareil audio numérique.

Utilisez un câble optique à mini-fiche du commerce pour la connexion.

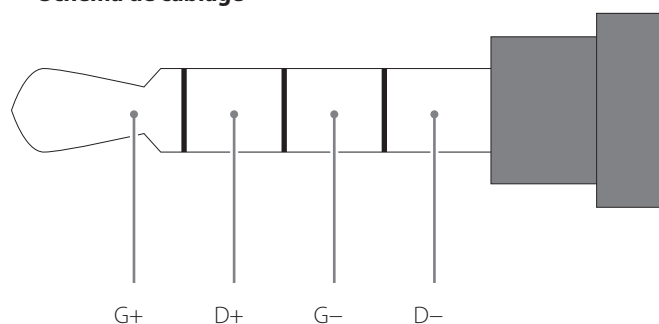


Prise casque (PHONES)



- Ce circuit d'amplification pour casque utilise un connecteur à 4 points avec mise à la masse indépendante pour la gauche et la droite. Des mini-jacks 3,5 mm stéréo ordinaires à 3 ou 4 points peuvent être utilisés.

Schéma de câblage



⚠ ATTENTION

Quand vous portez le casque, ne le branchez/débranchez pas, n'allumez/n'éteignez pas l'unité et ne changez pas le gain de l'ampli casque.

Cela pourrait entraîner un bruit fort et soudain risquant d'endommager votre audition.

Ramenez toujours le volume au minimum ($-\infty$ dB) avant de mettre le casque.

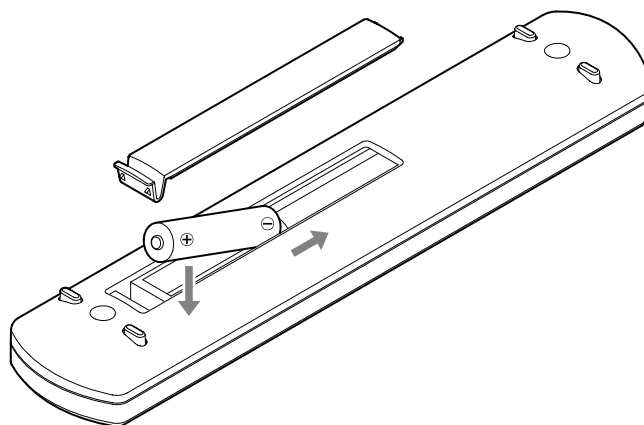
Précautions d'emploi

⚠ Un mauvais emploi des piles peut entraîner leur rupture ou leur fuite, avec pour conséquence un incendie, des blessures ou la salissure des objets proches. Veuillez attentivement lire et respecter les précautions en page 25.

- Pour utiliser la télécommande, pointez-la vers le capteur de télécommande de l'unité principale dans un rayon maximal de 5 m. Ne placez pas d'obstacles entre l'unité principale et la télécommande.
- La télécommande peut ne pas fonctionner si le capteur de signal de télécommande de l'unité est exposé à la lumière du soleil ou à une forte source lumineuse. Si cela se produit, essayez de déplacer l'unité.
- Sachez que l'emploi de cette télécommande peut entraîner le déclenchement involontaire d'opérations sur d'autres appareils contrôlables par rayons infrarouges.

Installation des piles

Ouvrez l'arrière de la télécommande et insérez deux piles AAA avec leurs pôles \oplus/\ominus orientés comme illustré. Remplacez le couvercle.

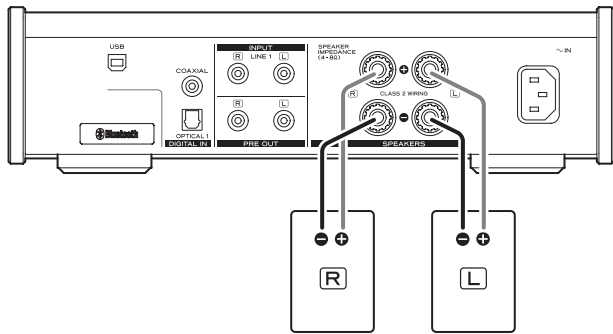


Quand faut-il remplacer les piles ?

Si la portée d'action de la télécommande diminue ou si l'unité principale cesse de répondre aux touches de la télécommande, remplacez les deux piles par des neuves.

Jetez les piles usagées conformément à leurs instructions ou aux directives établies par votre municipalité.

Branchement des enceintes



⚠ Précautions lors des branchements

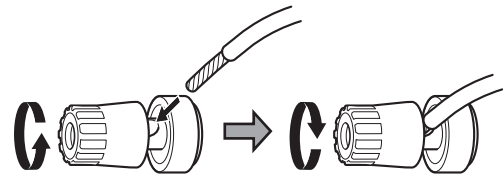
- Après avoir terminé tous les autres branchements, insérez la fiche du cordon d'alimentation dans une prise secteur.
- Lisez attentivement les modes d'emploi des appareils que vous branchez et suivez leurs instructions quand vous faites les branchements.

ATTENTION

- Cette unité est compatible avec des enceintes ayant une impédance nominale de 4–8 Ω. Si des enceintes ayant une impédance inférieure à 4 Ω sont utilisées, le circuit de protection peut s'activer, entraînant l'arrêt du son. Dans certains cas, cette unité ou les enceintes peuvent être endommagées.
- Les borniers d'enceinte rouges sont les borniers positifs (⊕) et les noirs les borniers négatifs (⊖). Généralement, le conducteur ⊕ du câble d'enceinte est marqué pour le distinguer du conducteur ⊖. Branchez le conducteur marqué au bornier rouge ⊕, et le conducteur non marqué au bornier noir ⊖.
- Si les fils dénudés aux extrémités des câbles d'enceinte touchent d'autres câbles ou borniers, un court-circuit électrique peut se produire.
- Ne laissez jamais les câbles d'enceinte causer un court-circuit.
- Pour éviter tout ronflement ou bruit parasite, ne regroupez pas les câbles avec le cordon d'alimentation secteur ou d'autres câbles.

Comment brancher les enceintes

- 1** Dénudez environ un centimètre de câble d'enceinte à son extrémité et épissez bien les conducteurs.
- 2** Dévissez le capuchon du bornier en le tournant dans le sens antihoraire.
- 3** Insérez le fil conducteur dans le bornier et revissez le capuchon en le tournant dans le sens horaire afin que le fil soit bien tenu.



- Connectez-le de façon à ce qu'aucune partie de l'isolant ne touche le bornier.

- 4** Vérifiez que le câble est solidement fixé en tirant délicatement sur le câble.

Connexion par fiches bananes

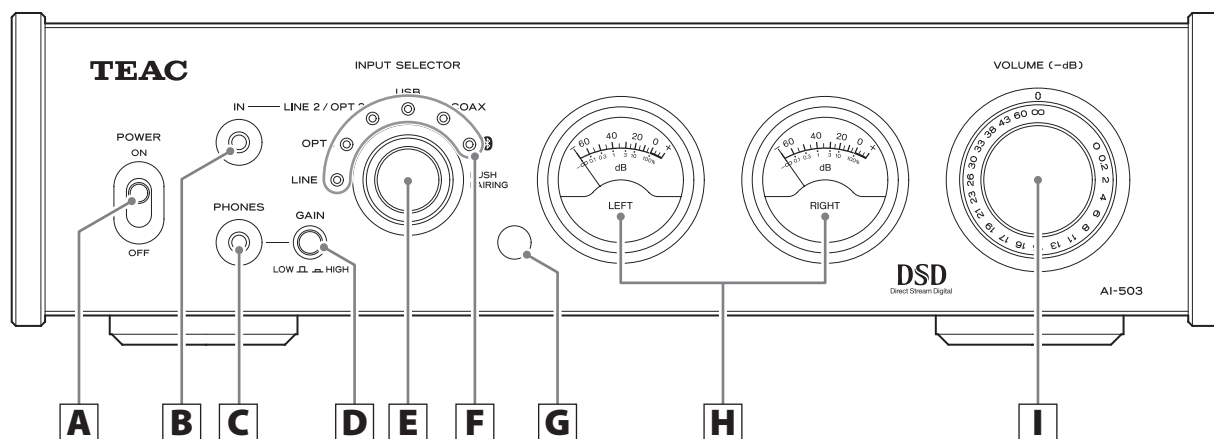
Vous pouvez également faire des connexions au moyen de fiches bananes disponibles dans le commerce. D'abord, montez les fiches bananes sur les câbles d'enceinte, puis connectez les fiches aux borniers.

- Maintenez les capuchons vissés pendant l'utilisation.
- Lisez attentivement les instructions concernant les fiches bananes que vous utilisez.

Remarque concernant le modèle européen

Conformément aux réglementations de sécurité européennes, le branchement de fiches bananes à des borniers d'enceinte n'est pas autorisé sur les modèles européens. Les orifices dans lesquels pourraient s'insérer les fiches bananes ont été occultés par des capuchons noirs. Branchez les enceintes à l'aide de câbles nus ou portant des cosses à fourche. Si un capuchon noir sort de son bornier, remettez-le en place.

Nomenclature et fonctions des parties (unité principale)



FR

A Interrupteur d'alimentation POWER

Sert à mettre l'unité sous et hors tension.

- Si tous les voyants d'entrée restent éteints même après mise sous tension avec l'interrupteur d'alimentation POWER, c'est généralement pour une des raisons suivantes.
 - La touche STANDBY/ON de la télécommande a été pressée ou la fonction d'économie automatique d'énergie est entrée en service, faisant passer l'unité en veille.
 - Le cordon d'alimentation est débranché.

Pour faire sortir l'unité du mode de veille, appuyez sur la touche STANDBY/ON de la télécommande, ou faites passer l'interrupteur d'alimentation POWER sur OFF avant de le ramener sur ON.

B Entrée audio (IN — LINE 2/OPT 2)

Sert à recevoir l'audio (page 32).

Analogique : utilisez un câble à fiche mini-jack 3,5 mm stéréo.

Optique : utilisez un câble optique à mini-fiche.

C Prise casque (PHONES)

Branchez-y un casque (fiche mini-jack 3,5 mm stéréo) (page 33).

- Ce circuit d'amplification pour casque utilise un connecteur à 4 points avec mise à la masse indépendante pour la gauche et la droite. Des fiches ordinaires à 3 ou 4 points peuvent être utilisées.
- Si un casque est branché ici, le son ne sortira plus par les borniers d'enceinte (SPEAKERS) ni par les prises de sortie audio du préampli (PRE OUT) à l'arrière de l'unité.

D Commutateur GAIN


Sélectionne le gain de l'ampli casque.

E Sélecteur d'entrée (INPUT SELECTOR)

Sert à sélectionner la source d'entrée.

Le voyant de la source d'entrée sélectionnée s'allume.

Les voyants clignotent pour par exemple indiquer que le filtre a été changé ou que le son est coupé.

- Appuyez lorsque  (Bluetooth) est sélectionné pour permettre l'appairage.

F Indicateurs de source d'entrée

G Capteur de signal de télécommande

Reçoit les signaux de la télécommande. Pour utiliser la télécommande, pointez-la vers le capteur de signal de télécommande.

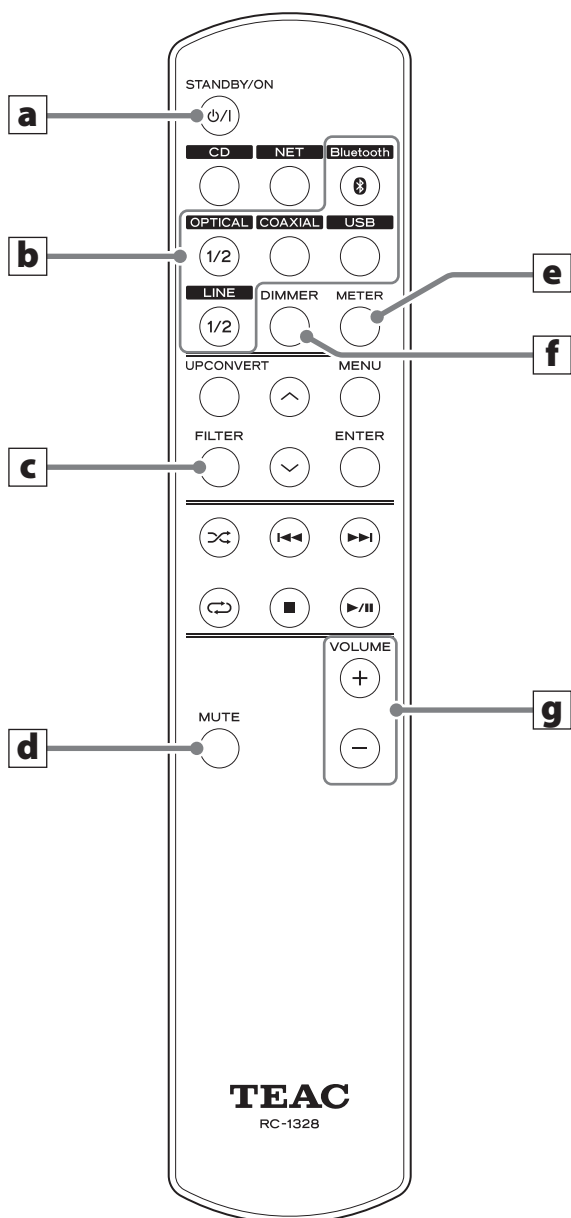
H Indicateurs de niveau

Ils affichent les niveaux de sortie.

I Bouton VOLUME

Sert à régler le volume de sortie par les enceintes ou le casque connectés. Tournez-le vers la droite pour monter le volume et vers la gauche pour le baisser.

Nomenclature et fonctions des parties (télécommande)



- Quand l'unité principale et la télécommande ont toutes les deux des touches ayant les mêmes fonctions, ce mode d'emploi explique comment utiliser l'une ou l'autre. La touche homologue peut s'utiliser de la même façon.
- Seules sont décrites les touches pouvant être utilisées avec cette unité.

a Touche STANDBY/ON

Appuyez sur cette touche pour mettre l'unité en veille ou pour l'allumer.

b Touches de sélection d'entrée

Servent à sélectionner la source de lecture.

- Les touches CD et NET ne servent pas avec cette unité.

c Touche FILTER

Sert à changer le réglage du filtre.

Le filtre change en fonction de l'entrée (PCM ou DSD) (page 38).

d Touche MUTE

Appuyez sur cette touche pour temporairement couper le son (page 38).

e Touche METER

Appuyez pour activer et désactiver les indicateurs de niveau (page 38).

f Touche DIMMER

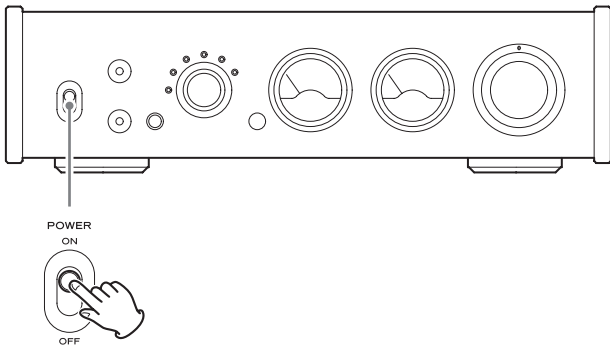
Sert à changer la luminosité des indicateurs de niveau et des indicateurs de source d'entrée (page 38).

g Touches VOLUME (+/-)

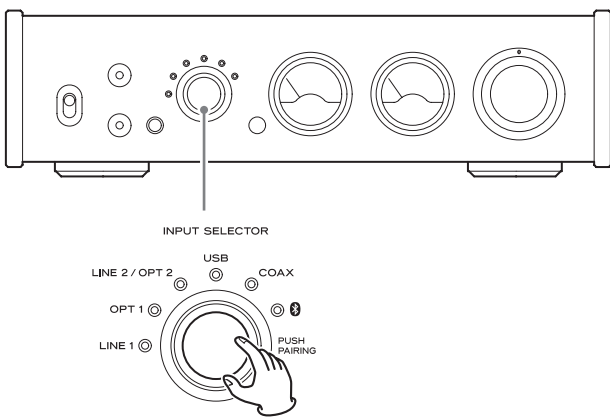
Servent à régler le volume.

Appuyer sur ces touches fait tourner le bouton VOLUME de l'unité principale.


1 Basculez l'interrupteur d'alimentation POWER en position ON pour allumer l'unité.



2 Tournez le bouton INPUT SELECTOR pour choisir la source d'entrée.



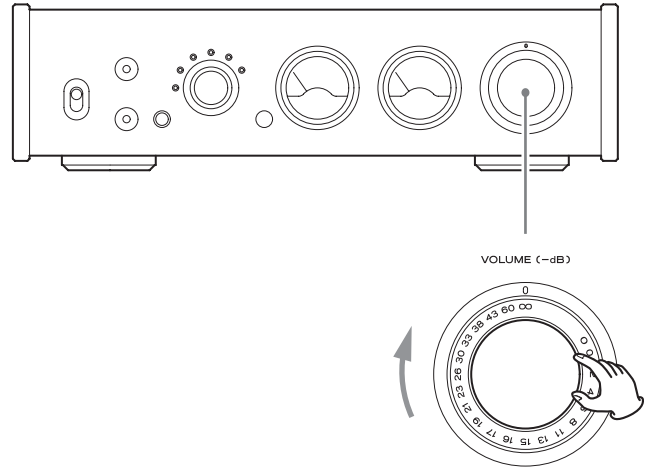
Le voyant de la source sélectionnée s'allume.

- Lorsqu'une entrée numérique (OPT 1, OPT 2, USB, COAX ou ) est sélectionnée, aucun son n'est produit si le signal entrant n'est pas un signal audio numérique ou s'il est d'un format non pris en charge par cette unité, tel que Dolby Digital, DTS ou AAC. Réglez la sortie numérique de l'appareil connecté pour produire un signal audio PCM.
- Pour employer un ordinateur sous Windows afin de lire des fichiers audio au travers de cette unité quand elle est réglée sur USB, vous devez installer un pilote dédié sur l'ordinateur avant de les relier (page 41).
- Le format DSD ne peut être lu à travers cette unité que si l'ordinateur lui est connecté par USB.

3 Lancez la lecture sur l'appareil source connecté.

Référez-vous au mode d'emploi de cet appareil.

4 Réglez le volume.



Tournez le bouton VOLUME de cette unité pour régler le volume.

- Vous pouvez aussi utiliser pour cela les touches VOLUME (+/-) de la télécommande.
- Si un casque est branché, le son ne sortira plus par les borniers d'enceinte (SPEAKERS) ni par les prises de sortie audio du préampli (PRE OUT) à l'arrière de l'unité.

Fonction d'économie automatique d'énergie

Cette unité a une fonction d'économie automatique d'énergie. Quand la fonction d'économie automatique d'énergie est activée, l'unité passe automatiquement en veille s'il n'y a pas d'entrée audio alors que la source d'entrée est réglée sur LINE ou si aucun signal entrant n'est verrouillé et en l'absence d'action durant environ 30 minutes lorsque la source d'entrée est autre.

Vous pouvez contrôler le réglage d'économie automatique d'énergie en regardant les indicateurs de source d'entrée juste après mise sous tension de l'appareil.

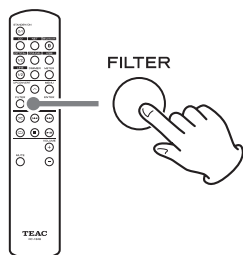
- Tous les voyants allumés : fonction d'économie automatique d'énergie désactivée
- Aucun voyant allumé : fonction d'économie automatique d'énergie activée

Pour activer/désactiver la fonction d'économie automatique d'énergie, quand l'unité est en veille, appuyez sur la touche STANDBY/ON de la télécommande durant trois secondes jusqu'à ce que les indicateurs d'entrée clignotent.

Fonctionnement de base (suite)

Filtre (Filter)

Appuyez une fois sur la touche FILTER de la télécommande pour que l'allumage des indicateurs d'entrée vous donne le réglage actuel du filtre. Appuyez à nouveau pour changer le réglage du filtre.



Les tableaux ci-dessous donnent la correspondance entre réglage de filtre et allumage des indicateurs d'entrée.

Pour les sources audio PCM

Filtre	Voyants allumés
Désactivé	LINE 1, OPT 1
RIF raide	OPT 1, LINE 2/OPT 2
RIF lent	LINE 2/OPT 2, USB
Retard court et raide	USB, COAX
Retard court et lent	COAX,

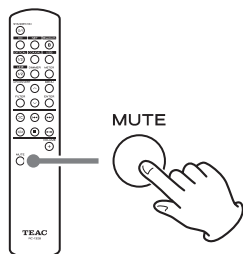
Pour les sources audio DSD

Fréquence de coupure	Voyants allumés
50 kHz	LINE 1, OPT 1, LINE 2/OPT 2
150 kHz	USB, COAX,

Coupure du son

Si vous souhaitez couper temporairement le son de cette unité, appuyez sur la touche MUTE de la télécommande.

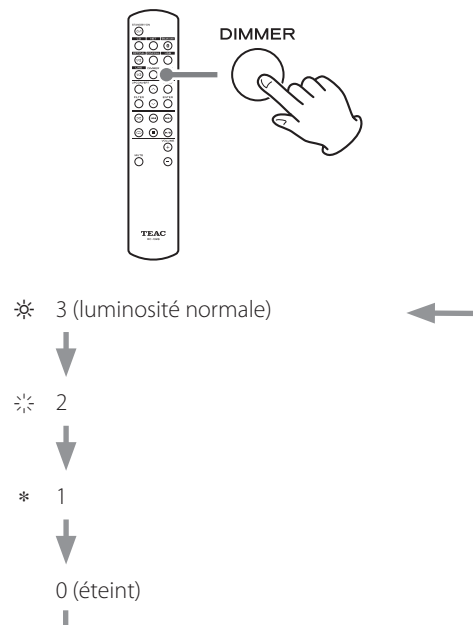
Appuyez à nouveau sur la touche MUTE de la télécommande pour revenir au niveau de volume antérieur.



- Quand le son est coupé, le voyant de la source sélectionnée s'allume en alternance avec les autres voyants.

Atténuateur (Dimmer)

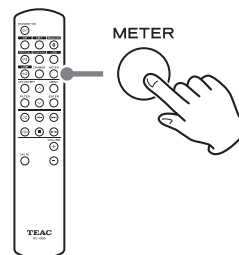
Chaque fois que vous appuyez sur la touche DIMMER de la télécommande, la luminosité des indicateurs de niveau et des indicateurs de source d'entrée change comme suit.



- Même avec un réglage à 0 (éteint), l'indicateur de source d'entrée reste très faiblement allumé.

Indicateurs de niveau

Appuyez sur la touche METER de la télécommande pour activer ou désactiver le fonctionnement des indicateurs de niveau.



- Quand les indicateurs de niveau sont désactivés, leur rétroéclairage l'est également.

Notes sur le Bluetooth

Si vous utilisez cette unité avec un téléphone mobile ou d'autres dispositifs à technologie sans fil Bluetooth, ils ne doivent pas être éloignés l'un de l'autre de plus de 10 m.

Toutefois, selon les conditions d'utilisation, la distance effective de transmission peut être réduite.

La communication sans fil ne peut pas être garantie pour tous les appareils à technologie sans fil Bluetooth.

Pour déterminer la compatibilité entre cette unité et un autre appareil à technologie sans fil Bluetooth, reportez-vous au mode d'emploi de cet appareil ou contactez le magasin dans lequel vous l'avez acheté.

Profils

Cet unité prend en charge les profils Bluetooth suivants.

- Profil de distribution audio avancée A2DP (Advanced Audio Distribution Profile)
- Profil de télécommande audio/vidéo AVRCP (Audio/Video Remote Control Profile)

Pour que de l'audio passe par transmission sans fil Bluetooth, l'appareil Bluetooth doit prendre en charge l'A2DP.

Pour contrôler la lecture sur l'appareil Bluetooth, celui-ci doit prendre en charge l'AVRCP.

Même si des appareils Bluetooth prennent en charge les mêmes profils, leurs fonctions peuvent différer en fonction de leurs spécifications.

Codecs

Cette unité prend en charge les codecs suivants. Elle sélectionne automatiquement l'un d'eux pour le transfert audio.

- SBC
- AAC
- Qualcomm® aptX™
- LDAC

L'unité sélectionnera le codec approprié à utiliser en fonction de la compatibilité de codec de l'autre appareil Bluetooth et des conditions de communication.

Le LDAC est un codage audio mis au point par Sony qui permet la transmission de contenu audio en haute résolution (Hi-Res), même par connexion Bluetooth. Contrairement aux autres technologies de codage compatibles Bluetooth telles que le SBC, il fonctionne sans conversion descendante du contenu audio Hi-Res*, et permet de transmettre sur un réseau sans fil Bluetooth environ trois fois plus de données** que ces autres technologies avec une qualité sonore sans précédent grâce à un codage efficace et à une optimisation en paquets.

* Hors contenus au format DSD

** Par rapport au SBC (Subband Coding) quand on sélectionne le débit binaire de 990 kbit/s (96/48 kHz) ou 909 kbit/s (88,2/44,1 kHz)

NOTE

Vous ne pouvez pas sélectionner le codec à utiliser, par exemple en appuyant sur un bouton.

De par les caractéristiques de la technologie sans fil Bluetooth, la lecture depuis un appareil Bluetooth sera légèrement en retard par rapport à la lecture depuis cette unité.

Protection de contenu

Cette unité prend en charge la protection de contenu SCMS-T lors de la transmission audio, afin de pouvoir reproduire de l'audio protégé.

Sécurité de transmission

Durant la transmission sans fil Bluetooth, cette unité prend en charge les fonctions de sécurité conformément aux spécifications de la norme Bluetooth, mais elle ne garantit pas la confidentialité de ces transmissions.

TEAC Corporation décline toute responsabilité en cas de fuite d'informations au cours de la transmission sans fil Bluetooth.

Appairage avec un autre appareil Bluetooth

L'appairage de cette unité avec un autre appareil Bluetooth est nécessaire la première fois que vous l'utilisez et la première fois que vous la connectez à un autre appareil Bluetooth.

- Lors de l'appairage ou de la connexion avec un autre appareil Bluetooth, ceux-ci doivent être à quelques mètres l'un de l'autre. S'ils sont trop éloignés, l'appairage et la connexion peuvent s'avérer impossibles.

1 Tournez le bouton INPUT SELECTOR pour choisir (Bluetooth).

Cela règle le mode sur Bluetooth.

- Le voyant Bluetooth clignote et la connexion à d'autres appareils Bluetooth devient possible.

2 Activez la transmission Bluetooth sur l'autre appareil Bluetooth.

3 Appuyez sur le bouton INPUT SELECTOR pour passer en mode d'appairage.

Quand cette unité est prête à être appairée, son voyant Bluetooth clignote rapidement.

4 Sur l'autre appareil Bluetooth, sélectionnez « AI-503 » (cette unité).

Après avoir préparé cette unité à l'appairage, effectuez l'appairage à l'aide de l'autre appareil Bluetooth.

Pour des détails, référez-vous au mode d'emploi de cet appareil Bluetooth.

- Quand cette unité et l'autre appareil Bluetooth sont connectés, le voyant Bluetooth cesse de clignoter et reste allumé.

Technologie sans fil Bluetooth® (suite)

Lecture depuis un périphérique Bluetooth


- Appairez cette unité la première fois que vous l'utilisez et lorsque vous souhaitez la connecter pour la première fois à un nouvel appareil Bluetooth (page 39).
- Lors de l'appairage ou de la connexion avec un autre appareil Bluetooth, ceux-ci doivent être à quelques mètres l'un de l'autre. S'ils sont trop éloignés, l'appairage et la connexion peuvent s'avérer impossibles.

1 Tournez le bouton INPUT SELECTOR pour choisir (Bluetooth).


Cela règle le mode sur Bluetooth.

- Le voyant Bluetooth clignote et la connexion à d'autres appareils Bluetooth devient possible.

2 Activez la transmission Bluetooth sur l'autre appareil Bluetooth.

Quand la source d'entrée de cette unité est réglée sur  et que l'autre appareil Bluetooth est en service, la fonction Bluetooth est active et ils se connectent automatiquement.

S'ils ne se connectent pas automatiquement, vous pouvez néanmoins les connecter manuellement.

- Si  est sélectionné pour cette unité, le dernier appareil Bluetooth qui lui était connecté sera automatiquement reconnecté. Si vous souhaitez vous connecter à un autre appareil Bluetooth, effectuez l'appairage avec cet appareil.
- Si le voyant Bluetooth de cette unité continue à clignoter pendant 30 minutes, elle passe automatiquement en mode de veille. Pour utiliser cette unité, vous devez la rallumer.

ATTENTION

Quel que soit l'état de la connexion de cette unité et de l'autre appareil Bluetooth, si le voyant Bluetooth continue de clignoter de façon prolongée, faites redémarrer à la fois cette unité et l'autre appareil, puis reconnectez-les.

3 Lancez la lecture sur l'autre appareil Bluetooth.

Vérifiez que le volume est monté sur l'autre appareil Bluetooth. Si vous ne montez pas le volume sur l'appareil de lecture, aucun son ne pourra sortir de cette unité.

- Selon l'appareil Bluetooth connecté, vous pouvez ne pas être en mesure de régler le volume. Pour des détails, référez-vous au mode d'emploi de cet appareil Bluetooth.

4 Tournez le bouton VOLUME pour régler le volume.

- Vous pouvez aussi utiliser pour cela les touches VOLUME (+/-) de la télécommande.
- Si un casque est branché, le son ne sortira plus par les borniers d'enceinte (SPEAKERS) ni par les prises de sortie audio du préampli (PRE OUT) à l'arrière de l'unité.

Installation du pilote sur un ordinateur

Cette unité peut être branchée à des ordinateurs ayant les systèmes d'exploitation suivants. Le fonctionnement avec d'autres systèmes d'exploitation n'est pas garanti (en date d'octobre 2016).

Avec un Mac

Le pilote fonctionne avec les versions de système d'exploitation suivantes.

OS X Lion (10.7)
OS X Mountain Lion (10.8)
OS X Mavericks (10.9)
OS X Yosemite (10.10)
OS X El Capitan (10.11)
macOS Sierra (10.12)

Cette unité peut être utilisée avec le pilote standard du système d'exploitation. Pour cette raison, il n'est pas nécessaire d'installer un pilote spécial ou quoi que ce soit d'autre.

Avec Windows

Le pilote fonctionne avec les versions de système d'exploitation suivantes.

Windows 7 (32/64 bits)
Windows 8 (32/64 bits)
Windows 8.1 (32/64 bits)
Windows 10 (32/64 bits)

Installation du pilote sur l'ordinateur

Pour lire au travers de cette unité des fichiers audio stockés sur un ordinateur, vous devez au préalable installer un pilote dédié sur l'ordinateur. Téléchargez le pilote dédié depuis le site mondial TEAC.

Site mondial TEAC

<http://teac-global.com/>

ATTENTION

Installez le pilote dédié avant de relier l'unité à l'ordinateur par USB.

Si vous connectez cette unité à l'ordinateur avant d'installer le pilote, elle ne fonctionnera pas correctement.

- Pour des instructions sur les procédures d'installation des pilotes, accédez à la page Downloads (téléchargements) du site mondial TEAC (<http://teac-global.com/>).
- Selon la combinaison ordinateur et logiciel, un bon fonctionnement peut ne pas être possible même avec les systèmes d'exploitation ci-dessus.

À propos du mode de transmission

Cette unité se connecte en mode asynchrone haute vitesse.

Les fréquences d'échantillonnage qui peuvent être transmises sont 44,1, 48, 88,2, 96, 176,4, 192, 352,8 et 384 kHz.

Quand la connexion est correcte, vous pouvez sélectionner « TEAC USB AUDIO DEVICE » comme sortie audio dans le système d'exploitation de l'ordinateur.

- En mode asynchrone, les données audio envoyées depuis l'ordinateur sont traitées au moyen de l'horloge de cette unité, ce qui réduit la gigue de transmission des données.

Téléchargement de l'application de lecture TEAC HR Audio Player

Vous pouvez télécharger depuis le site mondial TEAC (<http://teac-global.com/>) des versions pour Mac et Windows de notre application gratuite TEAC HR Audio Player qui assure la lecture de fichiers DSD.

Note concernant le réglage de TEAC HR Audio Player

Pour lire des enregistrements DSD à 11,2 MHz avec TEAC HR Audio Player, ouvrez la fenêtre « Configurer » (configurer) et réglez « Decode mode » (mode de décodage) sur « DSD Native ».

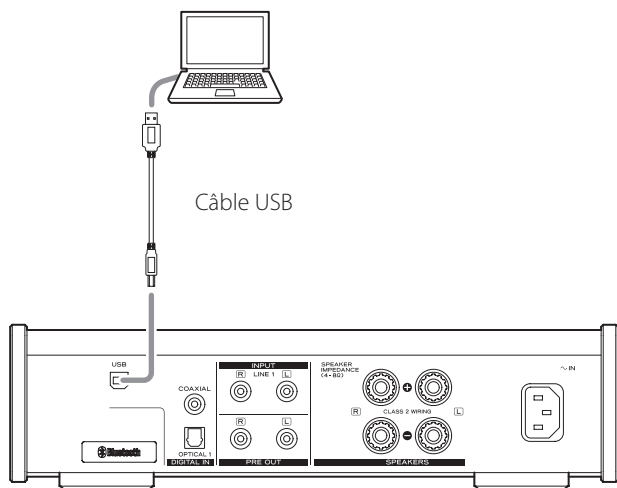
Pour lire des formats autres que le DSD à 11,2 MHz, vous pouvez régler ce paramètre comme vous le souhaitez sur « DSD over PCM » ou « DSD Native ».

Pour plus de détails, reportez-vous à la section « Selecting DSD decoding mode » (sélection du mode de décodage DSD) dans le mode d'emploi du TEAC HR Audio Player.

Lecture de musique sur un ordinateur (suite)

Lecture de fichiers audio depuis un ordinateur

1 Branchez cette unité à l'ordinateur à l'aide d'un câble USB.

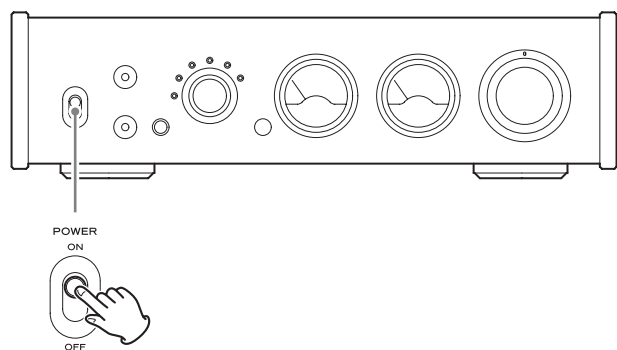


- Pour le branchement, utilisez un câble USB 2.0 (type A-B) du commerce.

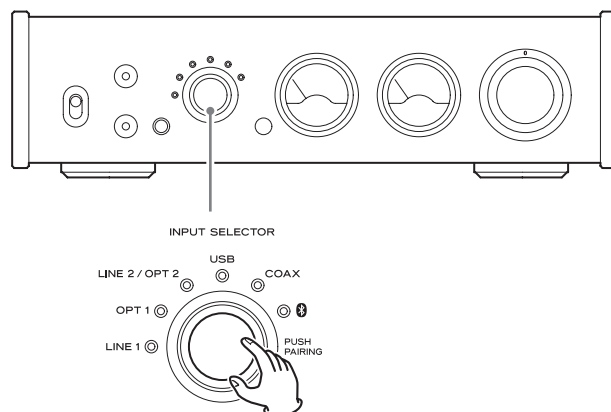
2 Mettez l'ordinateur sous tension.

- Vérifiez que son système d'exploitation a normalement démarré.

3 Basculez l'interrupteur d'alimentation POWER en position ON pour allumer l'unité.



4 Tournez le bouton INPUT SELECTOR afin de sélectionner USB.



5 Lancez la lecture d'un fichier audio sur l'ordinateur.

Une meilleure qualité sonore peut être obtenue en maximisant le volume de sortie de l'ordinateur et en réglant le volume de sortie de cette unité.

Ramenez le volume de cette unité au minimum avant de lancer la lecture. Puis montez-le progressivement.

Si vous avez branché un casque à cette unité, tournez le bouton VOLUME dans le sens antihoraire pour réduire le volume au minimum avant de mettre le casque. Ensuite, montez-le progressivement.

- L'ordinateur et cette unité ne peuvent pas se contrôler l'un l'autre.
- N'essayez aucune des opérations suivantes pendant la lecture d'un fichier audio par USB. Cela pourrait entraîner un mauvais fonctionnement de l'ordinateur. Quittez toujours le logiciel de lecture audio avant d'entamer une des actions suivantes.
 - Débrancher le câble USB.
 - Éteindre cette unité.
 - Changer la sélection d'entrée actuelle.
- Lors de la lecture d'un fichier audio par USB, les sons du système de l'ordinateur seront aussi produits. Si vous ne souhaitez pas que ces sons soient produits, faites les réglages appropriés sur l'ordinateur pour les couper.
- Si vous branchez cette unité à l'ordinateur ou si vous réglez son entrée sur USB après avoir lancé le logiciel de lecture audio, les fichiers audio peuvent ne pas être lus correctement. Si cela se produit, faites redémarrer le logiciel de lecture audio ou l'ordinateur.

Si vous avez un problème avec cette unité, veuillez vérifier les points suivants avant de demander une intervention. Si cette unité ne fonctionne toujours pas correctement, contactez le revendeur chez qui vous l'avez achetée.

Générales

L'unité ne s'allume pas.

- ➔ Vérifiez que le cordon d'alimentation est enfoncé à fond dans la prise secteur. Si la prise a un commutateur, vérifiez que celui-ci est en position ON.
- ➔ Branchez un autre appareil électrique à la prise pour vérifier qu'elle fournit bien du courant.
- ➔ Si la fonction d'économie automatique d'énergie a fait passer l'unité en veille, appuyez sur la touche STANDBY/ON de la télécommande pour rallumer l'unité.

Aucun son n'est produit.

- ➔ Réglez le bouton VOLUME. Tournez-le dans le sens horaire (vers la droite) pour augmenter le volume.
- ➔ Avec le bouton INPUT SELECTOR, sélectionnez l'entrée à laquelle est branchée la source que vous désirez entendre.
- ➔ Revérifiez les branchements aux autres équipements.

Il y a un bruit de ronflement.

- ➔ Si un câble de liaison est proche d'un cordon d'alimentation, d'un éclairage fluorescent ou d'une cause de parasites similaire, écartez-les autant que possible l'un de l'autre.

Il n'y a pas de son d'un côté du casque.

- ➔ Vérifiez que la fiche du casque est enfoncée à fond.

Le son s'est coupé brutalement.

Les éclairages des indicateurs de niveau clignotent et aucun son ne sort.

- ➔ La surchauffe peut avoir déclenché le circuit de protection. Réglez l'interrupteur d'alimentation sur OFF, et attendez quelques minutes avant de rallumer l'unité.
- ➔ Les fils + et - d'une enceinte sont peut-être en court-circuit. Dans ce cas, éteignez l'unité et vérifiez les branchements des enceintes.

L'économiseur automatique d'énergie a fait passer l'unité en veille.

- ➔ Basculez l'interrupteur d'alimentation sur OFF puis ramenez-le sur ON.

Connexion à l'ordinateur

L'ordinateur ne reconnaît pas cette unité.

- ➔ Voir page 41 pour plus d'informations sur les systèmes d'exploitation informatiques pris en charge. Le fonctionnement avec des systèmes d'exploitation non pris en charge n'est pas garanti.

Du bruit se produit.

- ➔ Lancer d'autres applications durant la lecture d'un fichier audio peut interrompre la lecture ou causer du bruit. Ne lancez pas d'autres applications durant la lecture. Quand l'unité est branchée à un ordinateur via un concentrateur (hub) USB, par exemple, du bruit peut être entendu. Si cela se produit, branchez l'unité directement à l'ordinateur.

Les fichiers audio ne peuvent pas être lus.

- ➔ Branchez cette unité à l'ordinateur et réglez son entrée sur USB avant de lancer le logiciel de lecture audio. Si vous branchez cette unité à l'ordinateur ou si vous réglez son entrée sur USB après avoir lancé le logiciel de lecture audio, les fichiers audio peuvent ne pas être lus correctement.

Cette unité utilise un microprocesseur, donc des parasites ou autres interférences externes peuvent interrompre son bon fonctionnement. Si cela se produit, débranchez le cordon d'alimentation, attendez un instant puis rallumez l'unité et relancez les opérations.

Caractéristiques techniques

Sorties pour enceintes

Sortie maximale	60 W + 60 W
	(10 % de distorsion, 1 kHz, 4 Ω)
	30 W + 30 W
	(10 % de distorsion, 1 kHz, 8 Ω)
Sortie nominale	43 W + 43 W
	(1 % de distorsion, 1 kHz, 4 Ω)
	22 W + 22 W
	(1 % de distorsion, 1 kHz, 8 Ω)
Impédance d'enceinte acceptée	4–8 Ω
Distorsion harmonique totale	0,005 % ou moins (1 kHz, 8 Ω, 1 W)
Rapport signal/bruit	100 dB ou plus
	(entrée analogique, sous charge de 8 Ω, sortie nominale, pondération A)
Réponse en fréquence	10 Hz – 100 kHz (+1/–3 dB)
	(8 Ω, 1 W, entrée analogique)

Sorties audio PRE OUT

Prises RCA	1 paire (L/R)
Impédance de sortie	150 Ω
Réponse en fréquence	10 Hz – 100 kHz (+1/–3 dB)
	(entrée analogique, pour sortie à 200 mVrms)
Rapport S/B	103 dB ou plus
	(entrée analogique, pour sortie à 1 kHz/2 Vrms, pondération A)
Distorsion harmonique totale	0,005 % ou moins
	(entrée analogique, pour sortie à 1 kHz/2 Vrms, filtre passe-bas 20 kHz)

Sortie casque

Mini-jack 3,5 mm stéréo 4 points	1
Sortie maximale utile	280 mW + 280 mW
	(GAIN réglé sur HIGH, sous charge de 32 Ω, 10 % de distorsion)
Plage d'impédance compatible	16 – 600 Ω

Entrées audio analogiques

Prises RCA	1 paire (L/R)
Impédance d'entrée	30 kΩ
Entrée maximale	2 Vrms
Mini-jack 3,5 mm stéréo*	1
Impédance d'entrée	22 kΩ
Entrée maximale	2 Vrms

Entrées audio numériques

Numérique COAXIAL	
Prise RCA	1
Numérique OPTICAL	
Connecteur carré (TOSLINK)	1
Connecteur rond*	1
	(–24,0 à –14 dBm en crête)
Port USB-B	1
	(norme USB 2.0)
Fréquence d'échantillonnage des données PCM	
Numérique COAXIAL	
	32 kHz, 44,1 kHz, 48 kHz, 88,2 kHz, 96 kHz, 176,4 kHz, 192 kHz
Numérique OPTICAL	
	32 kHz, 44,1 kHz, 48 kHz, 88,2 kHz, 96 kHz, 176,4 kHz, 192 kHz
USB	
	44,1 kHz, 48 kHz, 88,2 kHz, 96 kHz, 176,4 kHz, 192 kHz
	352,8 kHz, 384 kHz
Résolution de quantification en bits	
Numérique COAXIAL/numérique OPTICAL	
	16/24 bits
USB	
	16/24/32 bits
Fréquence d'échantillonnage des données DSD	
Numérique COAXIAL/numérique OPTICAL	
	2,8 MHz
	(prises en charge par transmission DoP 176,4 kHz/24 bits)
USB	
	2,8 MHz, 5,6 MHz, 11,2 MHz

* C'est un connecteur d'entrée combinant analogique (LINE 2) et optique (OPT 2).

Fonction Bluetooth

Version de Bluetooth	4.0
Classe de sortie	Classe 2
(distance de transmission sans obstacles*	10 m)
Profils pris en charge	A2DP, AVRCP
Codecs A2DP pris en charge	SBC, AAC, Qualcomm® aptX™, LDAC
Protection de contenu A2DP prise en charge	SCMS-T
Nombre maximal d'appairages mémorisés	8

*La distance de transmission est une approximation. Elle peut varier en fonction de l'environnement et des ondes électromagnétiques.

Générales

Alimentation électrique

Modèle Europe	CA 220–240 V, 50/60 Hz
Modèle U.S.A./Canada	CA 120 V, 60 Hz
Consommation électrique	38 W
Consommation en veille	0,5 W ou moins (en mode de veille)

Dimensions externes

290 mm × 81,2 mm × 264 mm
(L × H × P, saillies incluses)

Poids	3,7 kg
Température de fonctionnement	+5 °C à +35 °C
Hygrométrie de fonctionnement ...	5 % à 85 % (sans condensation)
Température de stockage	–20 °C à +55 °C

Éléments fournis

Cordon d'alimentation × 1
Télécommande (RC-1328) × 1
Piles pour télécommande (AAA) × 2
Mode d'emploi (ce document, y compris la garantie) × 1

- Conception et caractéristiques techniques sont sujettes à modifications sans préavis.
- Le poids et les dimensions sont des valeurs approchées.
- Les illustrations de ce mode d'emploi peuvent légèrement différer des modèles de production.

FR

INSTRUCCIONES IMPORTANTES DE SEGURIDAD



El símbolo del rayo acabado en flecha dentro de un triángulo equilátero alerta al usuario de la presencia de un "voltaje peligroso" sin aislar dentro de la carcasa del producto que puede ser de magnitud suficiente como para constituir riesgo de descarga eléctrica para las personas.



El signo de exclamación dentro de un triángulo equilátero alerta al usuario de la presencia de importantes instrucciones de funcionamiento y mantenimiento en la literatura que acompaña al aparato.

AVISO: PARA EVITAR RIESGO DE INCENDIO O DESCARGAS ELÉCTRICAS, NO EXPONGA ESTE APARATO A LA LLUVIA NI A LA HUMEDAD.

PRECAUCIÓN

- NO quite las carcasas externas ni deje al aire la electrónica. ¡EN EL INTERIOR NO HAY PIEZAS QUE EL USUARIO PUEDA MANIPULAR!
- SI EXPERIMENTA PROBLEMAS CON ESTE PRODUCTO, PÓNGASE EN CONTACTO CON EL ESTABLECIMIENTO DONDE ADQUIRIÓ LA UNIDAD PARA SOLICITAR SERVICIO TÉCNICO. NO UTILICE EL APARATO HASTA QUE HAYA SIDO REPARADO.
- EL USO DE CONTROLES, AJUSTES O PROCEDIMIENTOS QUE NO SEAN LOS ESPECIFICADOS EN ESTE MANUAL PUEDE CAUSAR EXPOSICIÓN A RADIACIONES PELIGROSAS.

- 1) Lea estas instrucciones.
- 2) Conserve estas instrucciones.
- 3) Cumpla con lo indicado en los avisos.
- 4) Siga todas las instrucciones.
- 5) No utilice este aparato cerca del agua.
- 6) Límpielo solo con un trapo seco.
- 7) No bloquee ninguna de las ranuras de ventilación. Instale este aparato de acuerdo con las instrucciones del fabricante.
- 8) No instale este aparato cerca de fuentes de calor como radiadores, calentadores, hornos u otros aparatos (incluyendo amplificadores) que produzcan calor.
- 9) No elimine el sistema de seguridad que supone el enchufe polarizado o con toma de tierra. Un enchufe polarizado tiene dos bornes, uno más ancho que el otro. Uno con toma de tierra tiene dos bornes iguales y una tercera lámina para la conexión a tierra. El borne ancho o la lámina se incluyen para su seguridad.

Si el enchufe que venga con la unidad no encaja en su salida de corriente, haga que un electricista cambie su salida anticuada.

- 10) Evite que el cable de corriente quede de forma que pueda ser pisado o quedar retorcido o aplastado, especialmente en los enchufes, receptáculos o en el punto en el que salen del aparato.
- 11) Use solo accesorios / complementos especificados por el fabricante.
- 12) Utilice este aparato solo con un soporte, trípode o bastidor especificado por el fabricante o que se venda con el propio aparato. Cuando utilice un bastidor con ruedas, tenga cuidado al mover la combinación de aparato/bastidor para evitar que vuelque y puedan producirse daños.
- 13) Desconecte este aparato de la corriente durante las tormentas eléctricas o cuando no lo vaya a usar durante un periodo de tiempo largo.
- 14) Dirija cualquier posible reparación solo al servicio técnico oficial. Este aparato deberá ser reparado si se ha dañado de alguna forma, como por ejemplo si el cable de corriente o el enchufe están rotos, si ha sido derramado algún líquido sobre la unidad o algún objeto ha sido introducido en ella, si ha quedado expuesto a la lluvia o la humedad, si no funciona normalmente o si ha caído al suelo en algún momento.



- Este aparato libera corriente nominal no válida para el funcionamiento a través de la toma de corriente, aún cuando el interruptor de encendido y activación (POWER o STANDBY/ON) no esté en la posición de encendido (ON).
- El enchufe que se conecta a la red es el dispositivo de desconexión, por lo que deberá permanecer siempre en perfecto estado de uso.
- Deberá llevar cuidado si utiliza auriculares con este producto, ya que una excesiva presión sonora (volumen) procedente de los mismos puede causar pérdidas de audición.

PRECAUCIÓN

- No exponga este aparato a salpicaduras ni goteras.
- No coloque objetos que contengan líquidos, como por ejemplo jarrones, sobre el aparato.
- No instale este aparato en lugares cerrados tales como estanterías o similares.
- Este aparato debe situarse lo suficientemente cerca de una toma de electricidad como para poder alcanzar fácilmente el cable de corriente en cualquier momento.
- Si el producto utiliza pilas (esto incluye las pilas instaladas y los "packs" de pilas), se evitará su exposición directa al sol, al fuego o a cualquier otra fuente de calor excesivo.
- **PRECAUCIÓN** con los productos que emplean baterías de litio reemplazables: existe peligro de explosión si la batería se reemplaza por otra de tipo incorrecto. Reemplácela sólo por otra igual o de tipo equivalente.

AVISO

Los productos con construcción de Clase I están equipados con un cable de alimentación que tiene conexión de tierra. El cable de estos productos deberá conectarse a una toma de corriente que tenga conexión de protección de tierra.

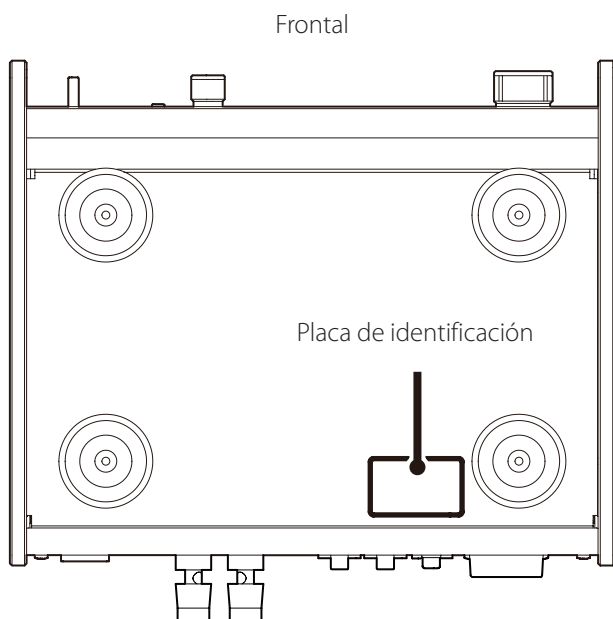
EN EE. UU./CANADÁ, UTILICE SOLO ALIMENTACIÓN CON CORRIENTE DE 120 V.

⚠ Precauciones con respecto a las pilas

Un mal uso de las pilas puede hacer que se rompan o que tengan fugas y ello causar fuego, lesiones u oxidación en los objetos cercanos. Por favor, lea y observe las siguientes precauciones cuidadosamente.



- Asegúrese de introducir las pilas siempre con la correcta orientación de los polos positivo (⊕) y negativo (⊖).
- Use pilas del mismo tipo. Nunca utilice juntas pilas de tipos diferentes.
- Si no va a utilizar el mando a distancia durante mucho tiempo (más de un mes), quite las pilas para evitar que se sulfaten y tengan fugas.
- Si las pilas presentan fugas, limpie el líquido que haya caído en el compartimento y sustituya las pilas por otras nuevas.
- No utilice pilas que no sean del tipo especificado. No mezcle pilas nuevas con viejas ni utilice juntas pilas de tipos distintos.
- No caliente ni desarme las pilas. Nunca tire pilas al fuego ni al agua.
- No transporte ni almacene pilas con otros objetos metálicos. Las pilas podrían producir cortocircuitos, perder líquido o explotar.
- Nunca recargue una pila si no está completamente seguro de que es una pila recargable.

La placa de identificación está situada en la parte inferior de la unidad como muestra la ilustración.



Para consumidores europeos

Deshacerse de aparatos eléctricos, electrónicos, pilas/baterías y acumuladores

- Todos los aparatos eléctricos y electrónicos, y pilas/baterías y acumuladores gastados, deben ser eliminados separados del resto de basura común y únicamente en los "puntos limpios" o bajo los procedimientos especificados por el gobierno o autoridades municipales locales.
- Con la eliminación correcta de los equipos eléctricos y electrónicos, y de pilas/baterías y acumuladores gastados, estará ayudando a conservar recursos muy valiosos y a evitar los posibles efectos negativos en la salud humana y en el medio ambiente.
- La eliminación incorrecta de los equipos eléctricos y electrónicos, y pilas/baterías y acumuladores, puede producir efectos muy dañinos en el medio ambiente y en la salud humana a causa de las sustancias peligrosas que pueden encontrarse en estos equipos.
- El símbolo de Eliminación de Aparatos Eléctricos y Electrónicos (WEEE en inglés), identificado por cubos de basura con ruedas tachados, indican que los equipos eléctricos y electrónicos, y las pilas/baterías y acumuladores, deben ser eliminados de forma totalmente independiente con respecto a la basura doméstica. Si una pila/batería o un acumulador contienen más cantidad de los valores especificados de plomo (Pb), mercurio (Hg), y/o cadmio (Cd) según está definido en la Directiva relativa a las pilas (2006/66/EC), entonces los símbolos químicos correspondientes a estos elementos estarán indicados debajo del símbolo WEEE.  
- Existen sistemas para la eliminación y recogida a disposición del usuario final. Si necesita más información sobre cómo deshacerse de aparatos eléctricos y electrónicos antiguos, así como de pilas/baterías y acumuladores, póngase en contacto con su ayuntamiento, con la correspondiente empresa del servicio de recogida de residuos o con el establecimiento donde adquirió ese aparato.

Precauciones con los equipos inalámbricos

Cumplimiento de las normas de interferencias y transmisión de radio

Modelo para EE. UU.

Declaración de conformidad



Parte responsable: TEAC AMERICA, INC.
Dirección: 1834 Gage Road, Montebello, California,
U.S.A.

Número de teléfono: 1-323-726-0303

Este dispositivo cumple con el apartado 15 de las Normas de la FCC. Su funcionamiento está sujeto a las dos siguientes condiciones: (1) este dispositivo no puede causar interferencias perjudiciales y (2) este dispositivo debe aceptar cualquier interferencia recibida, incluidas interferencias que puedan causar anomalías de funcionamiento.

Etiquetado de autorización

ID de la FCC: XEG-AI503

Modelo para el Espacio Económico Europeo (EEE)

La función de transmisor de banda ancha de este producto opera en la banda de los 2,4 GHz.

Rango de frecuencia de uso: 2400 MHz – 2480 MHz

Potencia de salida máxima: Bluetooth® clase 2 (inferior a 2,5 mW).



Por la presente comunicación, TEAC Corporation declara que este tipo de equipo de radio cumple con los requisitos de la Directiva 2014/53/EU. y de las restantes directivas de la Unión Europea y reglamentos de la Comisión.

El texto completo de la declaración de conformidad con la normativa de la UE está disponible en la siguiente dirección de Internet (por favor, utilice el correo electrónico para ponerse en contacto con nosotros):

<http://www.teac-audio.eu/en/>

TEAC Corporation

1-47 Ochiai, Tama-shi, Tokyo, 206-8530, Japan

PRECAUCIÓN

La autorización de dispositivos inalámbricos son diferentes según los países o regiones. Por favor, utilice el producto solamente en el país donde lo adquirió.

- Dependiendo del país, podrían existir restricciones para el uso de la tecnología inalámbrica Bluetooth.

Verifique las leyes y regulaciones del país o región donde vaya a utilizar la unidad antes de hacerlo.

Requerimientos acerca de la exposición a radiaciones

Este equipo cumple con la regulación internacionalmente reconocida para los casos de exposición humana a ondas de radio generadas por un transmisor.

Declaración de cumplimiento

Modelo para EE. UU.

Este equipo cumple con los límites de exposición a radiación establecidos por la FCC para entornos no controlados y cumple las directrices de la FCC en materia de exposición a radiofrecuencia.

Modelo para el Espacio Económico Europeo (EEE)

Este equipo cumple con la valoración EN.62311 de equipos electrónicos y eléctricos relativa a las restricciones de exposición humana a campos electromagnéticos, el estándar armonizado de la DIRECTIVA 2014/53/EU.

PRECAUCIÓN

Cualquier cambio o modificación efectuada en este equipo que no haya sido expresamente aprobada por la parte responsable del cumplimiento de los requisitos exigidos podría invalidar el derecho del usuario a utilizar el equipo.

Información sobre interferencias (requerimientos de la FCC)

Se ha comprobado que este equipo cumple con los límites establecidos para los dispositivos digitales de Clase B, de acuerdo con el apartado 15 de las Normas de la FCC. Estos límites están diseñados para proporcionar una protección razonable contra interferencias perjudiciales en instalaciones residenciales.

Este equipo genera, utiliza y puede irradiar energía de radiofrecuencia y, si no se instala y se utiliza de acuerdo con las instrucciones, puede causar interferencias perjudiciales en las comunicaciones por radio.

Sin embargo, no se puede garantizar que dichas interferencias no se produzcan en instalaciones particulares.

Si este equipo causa interferencias perjudiciales en la recepción de radio o televisión, que se comprueban apagando y encendiendo el equipo, se recomienda al usuario que intente corregirla mediante una o varias de las siguientes medidas.

- Reoriente o recolocque el equipo y/o la antena receptora.
- Aumente la separación entre el equipo y el receptor.
- Conecte el equipo a una toma de electricidad situada en un circuito eléctrico diferente al del receptor.
- Consulte al distribuidor o solicite ayuda a un técnico de radio/TV con experiencia.

Marcas y derechos

"DSD" is a registered trademark.

The Bluetooth® word mark and logos are registered trademarks owned by Bluetooth SIG, Inc. and any use of such marks by TEAC CORPORATION is under license.

Qualcomm aptX is a product of Qualcomm Technologies International, Ltd.

Qualcomm is a trademark of Qualcomm Incorporated, registered in the United States and other countries, used with permission. aptX is a trademark of Qualcomm Technologies International, Ltd., registered in the United States and other countries, used with permission.

Microsoft and Windows are either registered trademarks or trademarks of Microsoft Corporation in the United States and/or other countries.

Apple, Mac, OSX and macOS are trademarks of Apple Inc.

LDAC™ and LDAC logo are trademarks of Sony Corporation.

Los nombres de otras compañías, nombres de productos y logos que aparecen en este documento son marcas comerciales o registradas de sus respectivos propietarios.

Índice

Gracias por elegir TEAC.
Lea este manual atentamente para obtener el mejor rendimiento de esta unidad.
Después de leerlo, guárdelo en un lugar seguro para futuras consultas.

INSTRUCCIONES IMPORTANTES DE SEGURIDAD	46
Precauciones con los equipos inalámbricos	48
Marcas y derechos	49
Artículos incluidos	50
Antes de su utilización	51
Mantenimiento	51
Web global de TEAC	51
Registro del producto	51
Conexiones (panel posterior)	52
Conexiones (panel frontal)	54
Uso del mando a distancia	55
Conexión de los altavoces	56
Nombres y funciones de las partes (unidad principal)	57
Nombres y funciones de las partes (mando a distancia)	58
Funcionamiento básico	59
Tecnología inalámbrica Bluetooth®	61
Reproducción de música en un ordenador	63
Solución de posibles fallos	65
Especificaciones	66

Artículos incluidos

Asegúrese de que la caja incluye todos los artículos que se enumeran a continuación.

Por favor, póngase en contacto con el establecimiento donde adquirió esta unidad si falta cualquiera de estos artículos o si han sufrido desperfectos durante el transporte.

Cable de corriente × 1

Mando a distancia (RC-1328) × 1

Pilas para el mando a distancia (AAA) × 2

Manual del usuario (este documento, incluida la garantía) × 1

- Consulte las páginas 68 a 72 para más información sobre la garantía.

Antes de su utilización


Precauciones de emplazamiento

- Coloque la unidad en un lugar estable cerca del equipo de audio con el que la vaya a utilizar.
- No instale esta unidad donde pueda calentarse. Esto incluye lugares que estén expuestos a la luz solar directa o cercanos a un radiador, calefactor, estufa o cualquier otro aparato de calefacción. Tampoco coloque esta unidad encima de un amplificador u otro equipo que genere calor. Si lo hace, puede decolorarse, deformarse o funcionar incorrectamente.
- Evite lugares sujetos a vibraciones o expuestos a polvo, humedad o frío excesivos.
- Cuando instale esta unidad, deje un pequeño espacio (al menos 3 cm) entre ella y las paredes u otros dispositivos para permitir una buena disipación del calor. Si la coloca en un rack, deje al menos 5 cm libres por encima de la unidad y 10 cm por detrás. Si no deja estos márgenes de seguridad, el calor podría acumularse en el interior y provocar fuego.
- No coloque nada encima de la unidad, ni siquiera discos CD, CD-R, discos de vinilo o cintas de cassette. No ponga paños o telas encima de la unidad, no la coloque sobre una cama, ni tampoco sobre una alfombra o moqueta gruesa. Si lo hace, la unidad podría sobrecalentarse o estropearse.
- No mueva la unidad durante su uso.
- El voltaje suministrado a la unidad debe ser el mismo que se indica en el panel posterior. Si tiene dudas al respecto, consulte a un electricista.
- No abra la carcasa de la unidad porque podría causar daños en los circuitos o una descarga eléctrica. En caso de que se introduzca un objeto extraño, contacte con su distribuidor.
- Cuando desenchufe el cable de corriente de la toma de electricidad, tire siempre directamente del conector, nunca tire del cable.

Mantenimiento

Limpie la superficie y otros paneles de esta unidad con un paño suave ligeramente humedecido con un líquido limpiador neutro diluido.

No utilice paños de limpieza impregnados con productos químicos, disolvente u otros agentes químicos, ya que puede dañar las superficies de la unidad.

 **Por seguridad, desenchufe el cable de corriente de la toma de electricidad antes de proceder a la limpieza.**

Web global de TEAC

Las actualizaciones correspondientes a esta unidad se pueden descargar desde el sitio web global de TEAC:

<http://teac-global.com/>

- 1) Entre en el sitio web global de TEAC.
- 2) En la sección de descargas (downloads) de TEAC, haga clic en el idioma que desee para abrir la página web de descargas correspondiente a ese idioma.

NOTA

Si no aparece el idioma que desea, haga clic en "Other Languages" (otros idiomas).

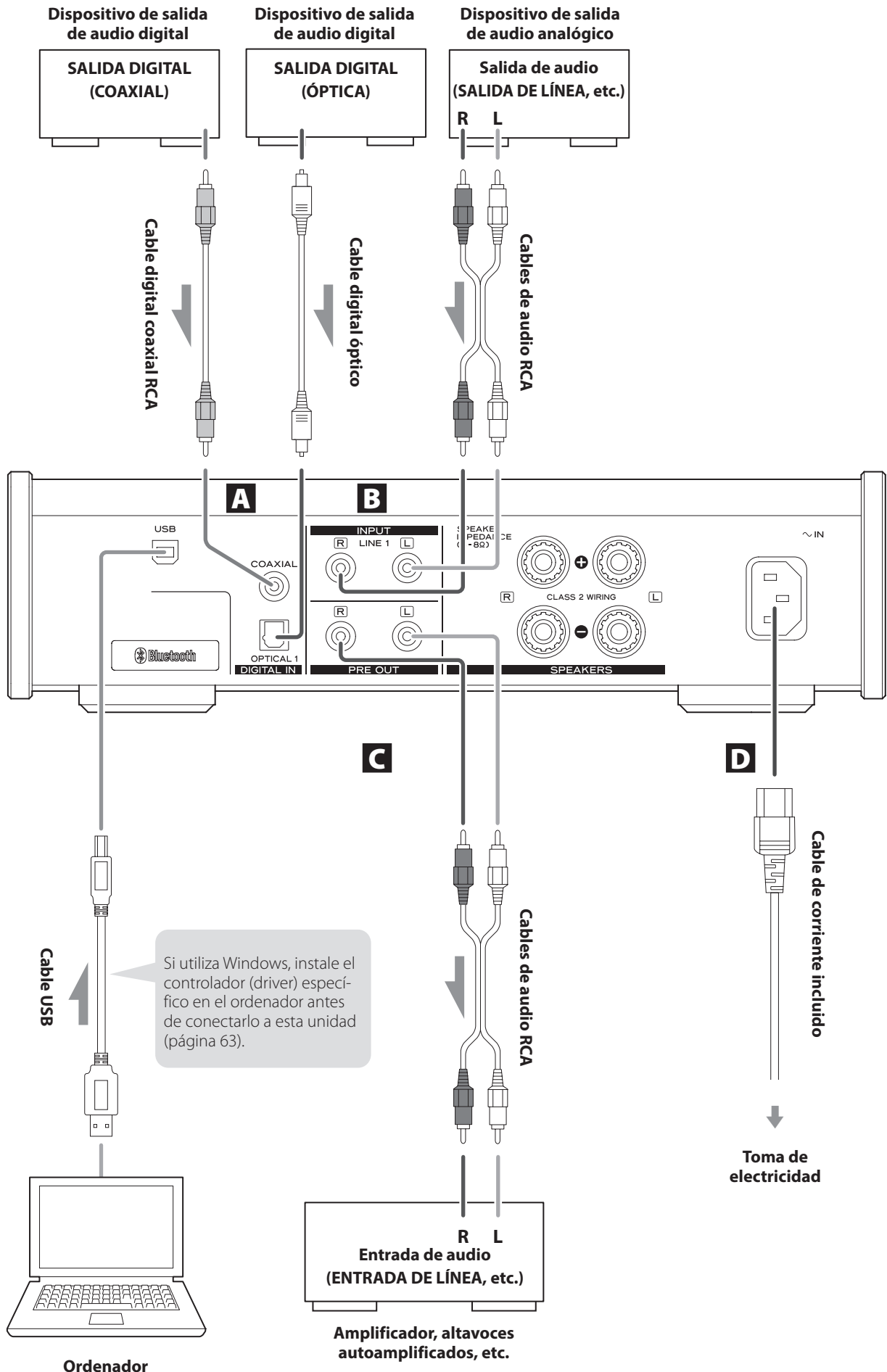
- 3) Haga clic en la sección "Search by Model Name" (buscar por nombre de modelo) para abrir la página de descargas correspondiente a ese producto. Los usuarios de Europa, sin embargo, tienen que hacer clic en el nombre del producto en la sección "Products" (productos).
- 4) Seleccione y descargue las actualizaciones necesarias.

Registro del producto

Los clientes de EE. UU., por favor visiten el siguiente sitio web de TEAC para registrar su producto en línea:

<http://audio.teac.com/support/registration/>

Conexiones (panel posterior)



A Terminales de entrada de audio digital (DIGITAL IN)

Puerto USB

Se utiliza para introducir audio digital desde un ordenador. Conecte este terminal al puerto USB del ordenador.

Para esta conexión, utilice un cable USB 2.0 (tipo A-B) de los disponibles en establecimientos comerciales.

ATENCIÓN

Antes de conectar esta unidad a un ordenador Windows, debe instalar el controlador (driver) específico en el ordenador (página 63).

No es posible realizar correctamente la conexión con un ordenador que no tenga instalado dicho controlador.

Terminal coaxial RCA de entrada de audio digital (COAXIAL)

Se utiliza para introducir audio digital. Conecte aquí el terminal coaxial de salida de audio digital de un dispositivo de audio digital.

Para esta conexión, utilice un cable digital coaxial RCA de los disponibles en establecimientos comerciales.

Terminal óptico de entrada de audio digital (OPTICAL 1)

Se utiliza para introducir audio digital. Conecte aquí el terminal óptico de salida de audio digital de un dispositivo de audio digital.

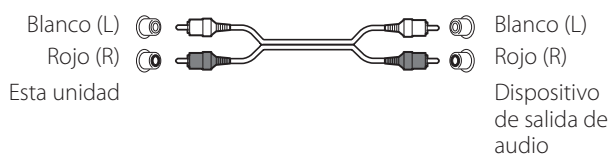
Para esta conexión, utilice un cable digital óptico con conectores cuadrados (TOSLINK) de los disponibles en establecimientos comerciales.

B Terminales de entrada de audio analógico (LINE 1)

Se utilizan para introducir audio analógico. Conecte aquí los terminales de salida de audio de una pletina de cassette, de un reproductor de CD o de otro equipo de salida de audio.

Para estas conexiones, utilice cables de audio RCA de los disponibles en establecimientos comerciales.

Conecte el terminal de entrada R (derecho) de esta unidad al terminal de salida R del dispositivo de salida de audio y el terminal de entrada L (izquierdo) de esta unidad al terminal de salida L del otro dispositivo.



C Terminales de salida de audio del preamplificador (PRE OUT)

Por ellos sale el audio analógico después del ajuste de volumen de esta unidad.

Conecte estos terminales RCA a un amplificador, etapa de potencia o altavoces autoamplificados.

Para estas conexiones, utilice cables de audio RCA de los disponibles en establecimientos comerciales.

Conecte el terminal R (derecho) de esta unidad al terminal R del amplificador y el terminal L (izquierdo) al terminal L del amplificador.

D Entrada para el cable de corriente (~IN)

Conecte a esta entrada el cable de corriente suministrado.

No lo conecte a una toma de electricidad hasta que no haya terminado todas las demás conexiones.

⚠ No utilice ningún cable de corriente que no sea el incluido con esta unidad. El uso de otros cables de corriente puede provocar fuego o descargas eléctricas.

⚠ Desconecte el cable de corriente de la toma de electricidad si no va a utilizar la unidad durante un largo periodo de tiempo.

⚠ Termine todas las conexiones antes de encender la unidad.

- Lea atentamente los manuales instrucciones de los dispositivos que está conectando y siga sus indicaciones cuando haga las conexiones.
- No agrupe ni mezcle cables de conexiones con cables de corriente, ya que esto puede causar ruidos.
- Inserte todos los conectores hasta el fondo.

Conexiones (panel frontal)

Terminal de entrada de audio (IN — LINE 2/OPT 2)

Este terminal combina entrada analógica (LINE 2) y entrada óptica (OPT 2).

- La unidad seleccionará automáticamente entrada analógica (LINE 2) u óptica (OPT 2) según el tipo de conector conectado.

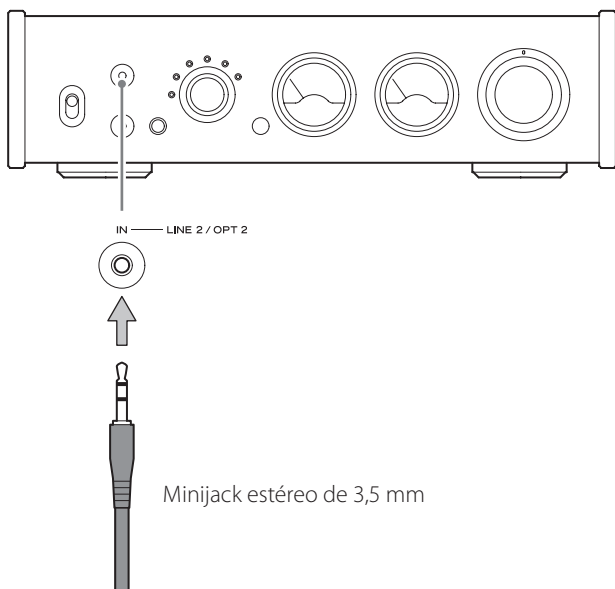
Para habilitar esta entrada, gire el mando INPUT SELECTOR para seleccionar LINE 2/OPT 2.

Conexión analógica (LINE 2)

Utilice un cable con minijacks estéreo de 3,5 mm para conectar, por ejemplo, la salida de auriculares (o de audio) de un reproductor de audio portátil para reproducir su salida de audio a través de esta unidad.

Para la conexión, utilice un cable con minijack estéreo de los disponibles en establecimientos comerciales.

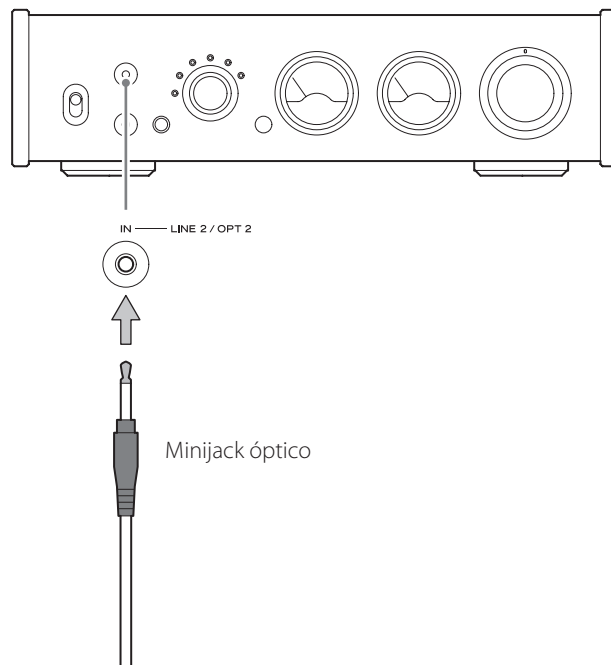
- Cuando se conecte a la salida de auriculares del reproductor, puede que sea necesario ajustar el volumen en dicho reproductor para escuchar su sonido a través de esta unidad.
- Sin embargo, el sonido podría distorsionar si se sube demasiado el volumen del reproductor de música portátil. Si esto ocurre, baje el volumen del reproductor conectado hasta que desaparezca la distorsión y ajuste el volumen en esta unidad.



Conexión óptica (OPT 2)

Conecte aquí el terminal óptico de salida de audio digital de un dispositivo de audio digital.

Para la conexión, utilice un cable óptico con minijack de los disponibles en establecimientos comerciales.



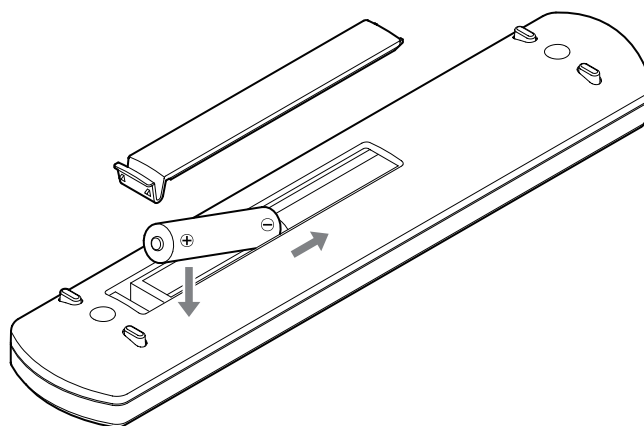
Precauciones de uso

! Un mal uso de la pila podría hacer que se rompan o se sulfaten (pierdan líquido), lo que podría originar fuego, lesiones o la oxidación de materiales cercanos. Por favor, lea atentamente y observe las instrucciones de las precauciones de la página 47.

- Cuando utilice el mando a distancia, oriéntelo hacia el receptor de señal de control remoto que hay en la unidad principal a una distancia de 5 metros o menos. No coloque obstáculos entre la unidad principal y el mando a distancia.
- El mando a distancia podría no funcionar si el receptor de señal de control remoto de la unidad principal está expuesto directamente a la luz del sol u otra luz intensa. Si esto ocurre, pruebe a mover la unidad.
- Tenga en cuenta que la utilización de este mando a distancia podría causar el funcionamiento involuntario de otros dispositivos que puedan ser controlados por rayos infrarrojos.

Instalación de las pilas

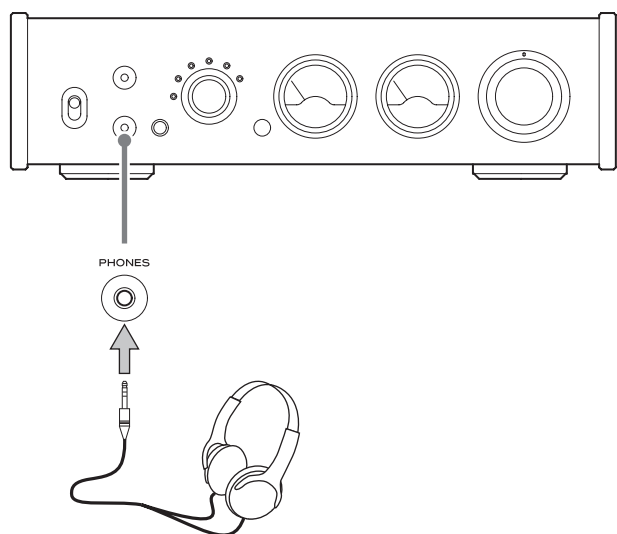
Quite la tapa de la parte posterior del mando a distancia e introduzca en el compartimento dos pilas AAA con sus polos \oplus/\ominus orientados como se muestra. Vuelva a colocar la tapa.



Cuándo sustituir las pilas

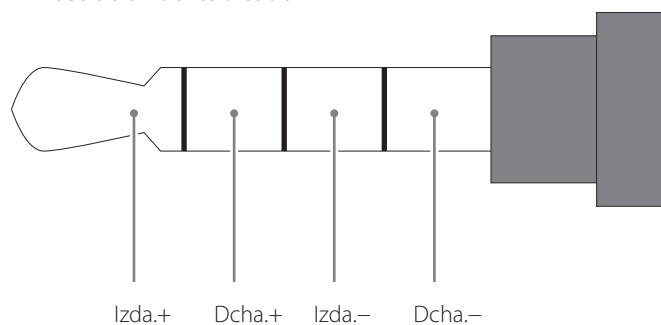
Si la distancia requerida entre el mando a distancia y la unidad principal disminuye o si la unidad deja de responder a los botones del mando a distancia, cambie ambas pilas por otras nuevas. Deshágase de las pilas usadas según las instrucciones que figuren en las mismas o los requisitos establecidos por las autoridades locales.

Salida de auriculares PHONES



- Este circuito amplificador de auriculares utiliza un terminal de cuatro polos, con masas de tierra independientes para el canal izquierdo y el derecho. Se pueden utilizar minijacks estéreo normales de 3,5 mm con 3 o 4 polos.

Ilustración del cableado



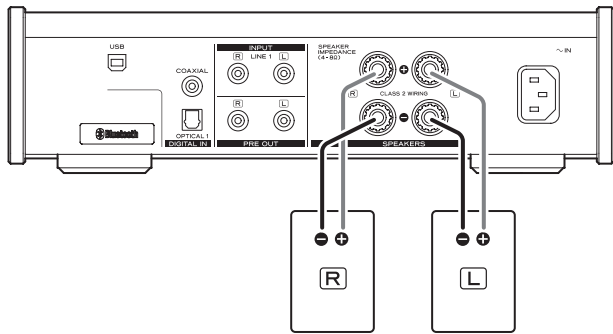
! PRECAUCIÓN

Mientras lleve puestos los auriculares, no los conecte ni los desconecte, ni encienda o apague la unidad, ni cambie la ganancia del amplificador de auriculares.

Si lo hace, puede producirse ruido repentino a alto volumen capaz de dañar los oídos.

Ajuste siempre el volumen al mínimo ($-\infty$ dB) antes de ponerse los auriculares.

Conexión de los altavoces



⚠ Precauciones al realizar las conexiones

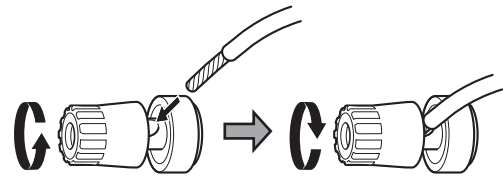
- Termine todas las conexiones antes de enchufar el cable de corriente a la toma de electricidad.
- Lea atentamente los manuales instrucciones de los dispositivos que esté conectando y siga sus indicaciones cuando haga las conexiones.

ATENCIÓN

- Esta unidad es compatible con altavoces que tengan una impedancia nominal de 4–8 Ω. Si se utilizan altavoces con impedancia inferior a 4 Ω, el circuito de protección podría activarse y dejar de salir sonido. En algunos casos, podrían incluso dañarse la unidad o los altavoces.
- Los terminales de altavoz rojos son los positivos (⊕) y los terminales de altavoz negros son los negativos (⊖). Generalmente, el conductor ⊕ del cable de altavoz está marcado para diferenciarlo del conductor ⊖ del cable. Conecte el conductor marcado al terminal ⊕ rojo y el conector sin marcar al terminal ⊖ negro.
- Si el extremo de un cable de altavoz sin aislante (es decir, con los hilos metálicos al aire) entra en contacto con otro cable o terminal, puede producirse un cortocircuito.
- Nunca permita que un cable de altavoz provoque un cortocircuito.
- Para evitar ruidos, no agrupe ni junte los cables de altavoces con el cable de corriente u otros cables.

Cómo conectar altavoces

- 1** Quite aproximadamente un cm de la cobertura aislante del extremo del cable de altavoz y retuerza el núcleo metálico entrelazando bien los hilos entre sí.
- 2** Gire la cubierta del terminal hacia la izquierda para aflojarla.
- 3** Inserte el cable en el orificio del pilar del terminal y gire la cubierta del terminal hacia la derecha para afianzar la conexión.



- Conéctelo de manera que ninguna parte de la cobertura aislante esté en contacto con el terminal.

- 4** Confirme que el cable está bien sujeto tirando suavemente de él.

Conexión con conectores de tipo banana

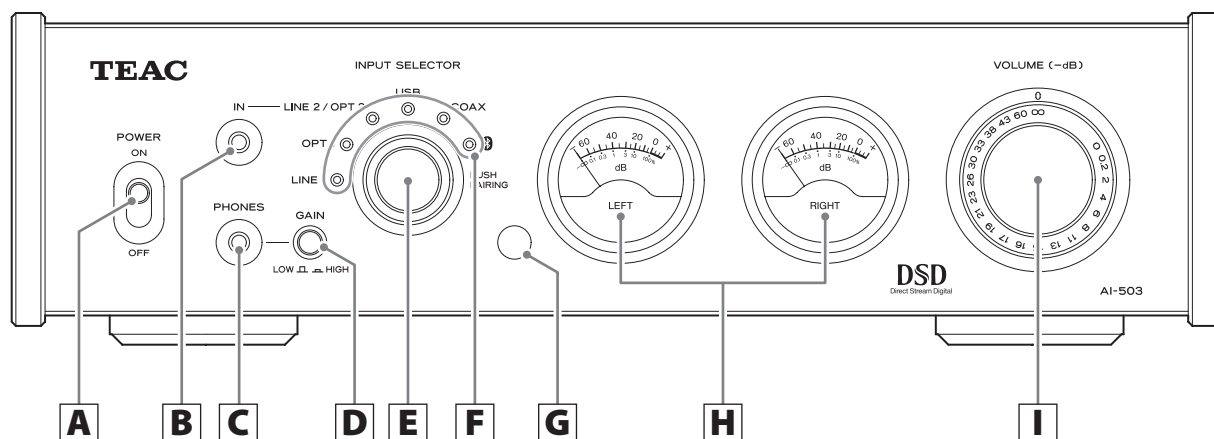
También se pueden hacer las conexiones con conectores banana de los disponibles en establecimientos comerciales. Primero conecte los conectores banana a los cables de altavoz y a continuación introduzca los conectores en los terminales.

- Mantenga las cubiertas bien apretadas durante el uso.
- Lea atentamente las instrucciones de los conectores banana que vaya a utilizar.

Nota sobre el modelo para Europa

De acuerdo con las normativas de seguridad europeas, en los modelos para Europa no se permite la conexión de conectores banana en los terminales de altavoces. Los orificios destinados a los conectores banana han sido cubiertos con tapas negras. Conecte los altavoces utilizando cables con los hilos metálicos al descubierto o conectores de horquilla. Si una de las tapas negras se sale de su terminal, vuelva a ponerla.

Nombres y funciones de las partes (unidad principal)



A Interruptor POWER

Se utiliza para encender (ON) y apagar (OFF) la unidad.

- Si todos los indicadores de entrada están apagados incluso aunque el interruptor POWER esté puesto en ON, la causa normalmente será una de las siguientes:
 - Se ha pulsado el botón STANDBY/ON del mando a distancia o se ha activado la función de ahorro de energía automático y ha puesto la unidad en modo de reposo (standby).
 - El cable de corriente está desconectado.

Para encender la unidad desde el modo de reposo (standby), pulse el botón STANDBY/ON del mando a distancia o ponga el interruptor POWER en OFF y después vuelva a ponerlo en ON.

B Entrada de audio (IN — LINE 2/OPT 2)

Utilice esta entrada para introducir audio (página 54).

Análogica: Use un cable con minijack estéreo de 3,5 mm.

Óptica: Use un cable óptico con minijack.

C Salida de auriculares PHONES

Conecte aquí unos auriculares (minijack estéreo de 3,5 mm) (página 55).

- Este circuito amplificador de auriculares utiliza un terminal de cuatro polos, con masas de tierra independientes para el canal izquierdo y el derecho. Se pueden utilizar jacks normales con 3 o 4 polos.
- Si se conectan unos auriculares aquí, no saldrá audio por los terminales de altavoces (SPEAKERS) ni por los terminales de salida de audio del preamplificador (PRE OUT) situados en la parte posterior de la unidad.

D Botón GAIN

Se utiliza para seleccionar la ganancia del amplificador de auriculares.

E Mando INPUT SELECTOR

Se utiliza para seleccionar la fuente de entrada.

Se iluminará el indicador situado junto a la fuente de entrada seleccionada.

Los indicadores parpadean para mostrar cuándo se está cambiando el filtro y cuándo el audio está silenciado.

- Púlselo cuando está seleccionado (Bluetooth) para habilitar el emparejamiento.

F Indicadores de fuente de entrada

G Receptor de señal del mando a distancia

Recibe la señal del mando a distancia. Cuando utilice el mando a distancia, diríjalo hacia este receptor de señal.

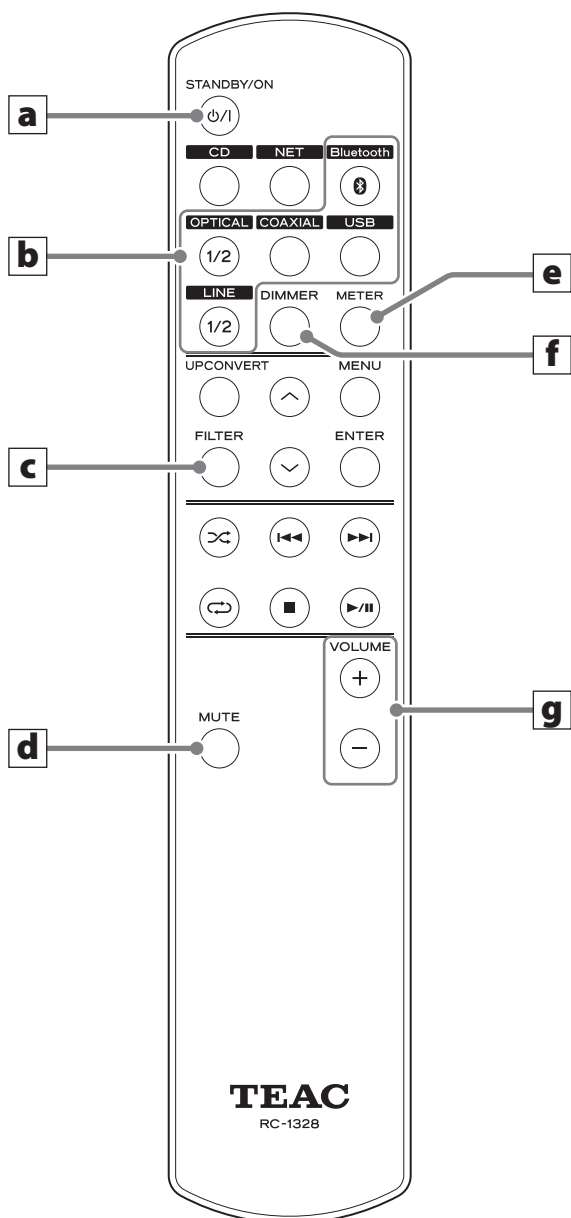
H Medidores de nivel

Muestran los niveles de salida.

I Mando VOLUME

Se utiliza para ajustar el volumen de salida de los altavoces o de los auriculares conectados. Gírelo a la derecha para aumentar el volumen y hacia la izquierda para disminuirlo.

Nombres y funciones de las partes (mando a distancia)



- Cuando tanto la unidad principal como el mando a distancia tengan botones con las mismas funciones, este manual explica cómo utilizar uno de ellos. El otro botón correspondiente puede ser utilizado de la misma manera.
- Solo se explican los botones que pueden utilizarse con esta unidad.

a Botón STANDBY/ON

Púselo para poner la unidad en modo de reposo (standby) o encenderla.

b Botones de selección de entrada

Se utilizan para seleccionar la fuente de reproducción.

- Los botones CD y NET no se utilizan con esta unidad.

c Botón FILTER

Se utiliza para cambiar el ajuste de filtro.

Cambia el filtro según la entrada (PCM o DSD) (página 60).

d Botón MUTE

Púselo para silenciar el sonido temporalmente (página 60).

e Botón METER

Púselo para activar y desactivar el funcionamiento de los medidores de nivel (página 60).

f Botón DIMMER

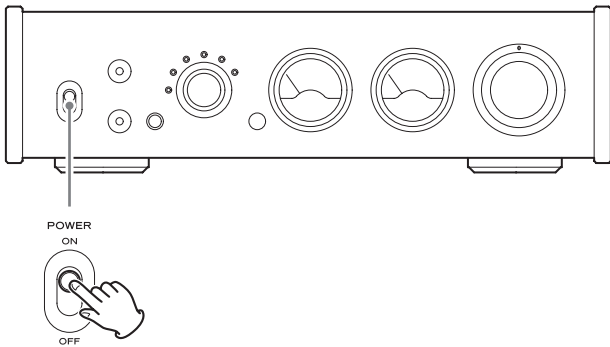
Se utiliza para cambiar la intensidad de brillo de los medidores de nivel y de los indicadores de fuente de entrada (página 60).

g Botones VOLUME (+/-)

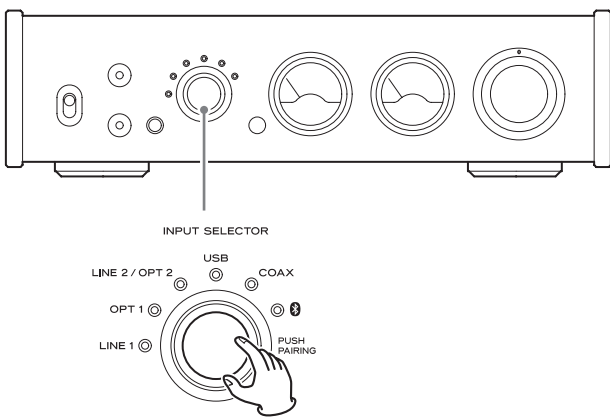
Estos botones se utilizan para ajustar el volumen.

Al pulsar estos botones girará el mando VOLUME de la unidad principal.


1 Ponga el interruptor POWER en la posición ON para encender la unidad.



2 Gire el mando INPUT SELECTOR para seleccionar la fuente de entrada.



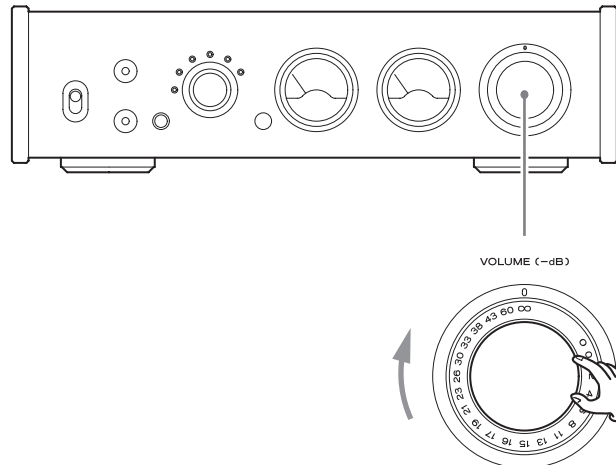
Se iluminará el indicador de la fuente seleccionada.

- Cuando se seleccione una entrada digital (OPT 1, OPT 2, USB, COAX o ) , no saldrá audio si la señal de entrada no es una señal de audio digital o si es un formato de señal de audio no admitido por esta unidad, como por ejemplo Dolby Digital, DTS o AAC. Ajuste la salida digital del dispositivo conectado como salida de audio PCM.
- Para utilizar un ordenador Windows para reproducir archivos de audio a través de esta unidad cuando la fuente de entrada seleccionada sea USB, primero es necesario instalar un controlador (driver) específico en el ordenador antes de conectarlo a esta unidad (página 63).
- El formato DSD solo se puede reproducir a través de esta unidad cuando está conectada a un ordenador por USB.

3 Comience la reproducción en el dispositivo fuente conectado.

Consulte el manual de instrucciones de dicho dispositivo.

4 Ajuste el volumen.



Gire el mando VOLUME de esta unidad para ajustar el volumen.

- También puede hacerlo con los botones VOLUME (+/-) del mando a distancia.
- Si hay unos auriculares conectados, no saldrá audio por los terminales de altavoces (SPEAKERS) ni por los terminales de salida de audio del preamplificador (PRE OUT) situados en la parte posterior de la unidad.

Función de ahorro de energía automático

Esta unidad tiene una función de ahorro de energía automático. Cuando la función de ahorro de energía automático está activada, la unidad entra automáticamente en modo de reposo (standby) si no se produce ninguna entrada de audio cuando la fuente de entrada sea LINE, o si no se sincroniza ninguna señal o no se lleva a cabo ninguna operación durante 30 minutos cuando la fuente de entrada sea otra de las restantes.

Puede comprobar el ajuste de configuración de la función de ahorro de energía automático mirando los indicadores de fuente de entrada inmediatamente después de encender la unidad.

Todos los indicadores iluminados: función de ahorro de energía automático desactivada.

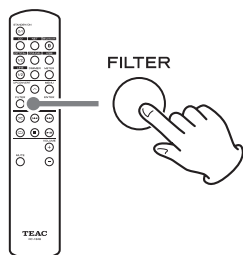
Todos los indicadores apagados: función de ahorro de energía automático activada.

Para cambiar el estado de la función de ahorro de energía automático de activada a desactivada y viceversa, con la unidad en modo de reposo (standby) pulse el botón STANDBY/ON del mando a distancia durante tres segundos hasta que parpadeen todos los indicadores de fuente de entrada.

Funcionamiento básico (continuación)

Filtro

Pulse el botón FILTER del mando a distancia una vez para iluminar los indicadores de entrada que muestran el ajuste de filtro actual. Púlselo de nuevo para cambiar el ajuste de filtro.



Las tablas siguientes muestran los ajustes de filtro según se iluminen unos indicadores u otros:

Para fuentes de audio PCM

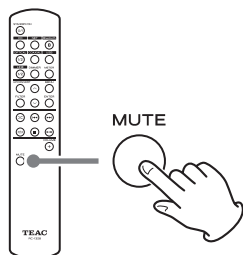
Filtro	Indicadores iluminados
Desactivado	LINE 1, OPT 1
FIR pronunciado	OPT 1, LINE 2/OPT 2
FIR lento	LINE 2/OPT 2, USB
Retardo corto pronunciado	USB, COAX
Retardo corto lento	COAX,

Para fuentes de audio DSD

Frecuencia de corte	Indicadores iluminados
50 kHz	LINE 1, OPT 1, LINE 2/OPT 2
150 kHz	USB, COAX,

Silenciar la reproducción

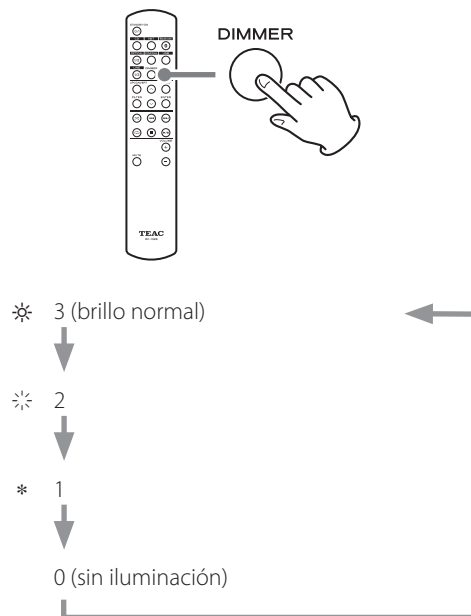
Si desea silenciar temporalmente el volumen de esta unidad, pulse el botón MUTE del mando a distancia. Vuelva a pulsar el botón MUTE para regresar al nivel de volumen previo.



- Cuando el sonido está silenciado, el indicador de la fuente seleccionada se ilumina en alternancia con los demás indicadores.

Atenuador de pantalla

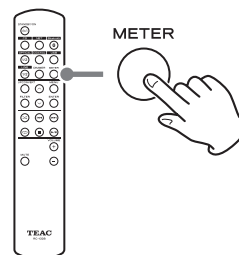
Cada vez que pulse el botón DIMMER del mando a distancia, la intensidad de brillo de los medidores de nivel y de los indicadores de fuente de entrada cambiará como sigue:



- Aunque se seleccione "0" (sin iluminación), el indicador de entrada permanecerá tenuemente iluminado.

Medidores de nivel

Pulse el botón METER del mando a distancia para activar y desactivar el funcionamiento de los medidores de nivel.



- Cuando se desactiva el funcionamiento de los medidores de nivel, también se apaga la retroiluminación de los medidores.

Notas sobre Bluetooth

Cuando utilice esta unidad con un teléfono móvil u otro dispositivo Bluetooth, ambos no podrán estar a más de 10 metros de distancia aproximadamente. No obstante, la distancia podría incluso acortarse dependiendo de las circunstancias de uso.

No está garantizada la comunicación con todos los dispositivos compatibles con la tecnología inalámbrica Bluetooth.

Para determinar la compatibilidad entre esta unidad y otro dispositivo que admita tecnología inalámbrica Bluetooth, consulte el manual de instrucciones de dicho dispositivo o póngase en contacto con la tienda donde lo compró.

Perfiles

Esta unidad es compatible con los siguientes perfiles Bluetooth:

- A2DP (perfil de distribución de audio avanzado)
- AVRCP (perfil de control remoto de audio/vídeo)

Para transferir audio mediante transmisión inalámbrica Bluetooth, el dispositivo Bluetooth debe ser compatible con A2DP.

Para controlar la reproducción en el dispositivo Bluetooth, debe ser compatible con AVRCP.

No obstante, incluso aunque un dispositivo Bluetooth sea compatible con ambos perfiles, sus funciones pueden diferir según sus especificaciones.

Codecs

Esta unidad es compatible con los siguientes codecs y seleccionará automáticamente uno de ellos durante la transferencia de audio:

- SBC
- AAC
- Qualcomm® aptX™
- LDAC

Esta unidad seleccionará el codec adecuado dependiendo de la compatibilidad de codecs del otro dispositivo Bluetooth y de las condiciones de comunicación.

LDAC es una tecnología de codificación de audio desarrollada por Sony que permite la transmisión de contenido de audio de alta resolución (Hi-Res) incluso a través de una conexión Bluetooth. A diferencia de otras tecnologías de codificación compatibles con Bluetooth como SBC, funciona sin conversión descendente del contenido de audio de alta resolución* y permite transmitir por una red inalámbrica Bluetooth, y con una calidad de sonido sin precedentes, aproximadamente tres veces más cantidad de datos** que otras tecnologías, gracias a su eficiente codificación y a una paquetización optimizada.

* Excepto contenidos en formato DSD.

** En comparación con SBC (codificación de subbanda) cuando se selecciona una tasa de bits de 990 kbps (96/48 kHz) o 909 kbps (88,2/44,1 kHz).

NOTA

No es posible seleccionar el codec que se va a utilizar pulsando un botón, por ejemplo.

Debido a las características de la tecnología inalámbrica Bluetooth, la reproducción desde un dispositivo Bluetooth tendrá un ligero retardo en comparación con la reproducción desde esta unidad.

Protección de contenido

Esta unidad es compatible con el sistema SCMS-T de protección de contenido en la transmisión de audio, de modo que puede reproducir audio protegido.

Seguridad en la transmisión

Esta unidad es compatible con funciones de seguridad durante la transmisión inalámbrica Bluetooth de acuerdo con las especificaciones Bluetooth estándar, pero no garantiza la privacidad de dichas transmisiones.

TEAC CORPORATION no asumirá ninguna responsabilidad sobre cualquier filtración de información que pueda suceder durante la transmisión inalámbrica Bluetooth.

Emparejamiento con otro dispositivo Bluetooth

El emparejamiento de esta unidad con otro dispositivo Bluetooth es necesario la primera vez que se utiliza y cuando se conecta a un dispositivo Bluetooth diferente por primera vez.

- Cuando empareje o conecte esta unidad con otro dispositivo Bluetooth, deberán estar a pocos metros uno de otro. Si están demasiado lejos, el emparejamiento y la posterior conexión podrían resultar imposibles.


1 Gire el mando INPUT SELECTOR para seleccionar (Bluetooth).

De esta forma se accede al modo Bluetooth.

- El indicador Bluetooth parpadeará y ya será posible la conexión con otros dispositivos Bluetooth.

2 Active la transmisión Bluetooth en el otro dispositivo Bluetooth.

3 Pulse el mando INPUT SELECTOR para acceder al modo de emparejamiento.

Cuando la unidad esté lista para el emparejamiento, el indicador  parpadeará rápidamente.

4 En el otro dispositivo Bluetooth, seleccione "AI-503" (esta unidad).

Después de preparar esta unidad para el emparejamiento, lleve a cabo el emparejamiento utilizando el otro dispositivo Bluetooth.

Para más información, consulte el manual de instrucciones del otro dispositivo Bluetooth.

- Cuando esta unidad y el otro dispositivo Bluetooth estén conectados, el indicador Bluetooth dejará de parpadear y permanecerá iluminado fijo.

Tecnología inalámbrica Bluetooth® (continuación)

Reproducción desde un dispositivo Bluetooth


- Empareje esta unidad la primera vez que la utilice y cuando desee conectar con un dispositivo Bluetooth diferente por primera vez (página 61).
- Cuando empareje o conecte esta unidad con otro dispositivo Bluetooth, deberán estar a pocos metros uno de otro. Si están demasiado lejos, el emparejamiento y la posterior conexión podrían resultar imposibles.

1 Gire el mando INPUT SELECTOR para seleccionar (Bluetooth).


De esta forma se accede al modo Bluetooth.

- El indicador Bluetooth parpadeará y ya será posible la conexión con otros dispositivos Bluetooth.

2 Active la transmisión Bluetooth en el otro dispositivo Bluetooth.

Si la fuente de entrada de esta unidad está puesta en  y el otro dispositivo Bluetooth está encendido, se activará la función Bluetooth y ambos se conectarán automáticamente.

De todos modos, si no se conectan automáticamente, puede conectarlos manualmente.

- Cuando se selecciona  en esta unidad, se volverá a conectar automáticamente el dispositivo Bluetooth que estuviese conectado por última vez. Si desea conectar con un dispositivo Bluetooth diferente, realice el emparejamiento con dicho dispositivo.
- Si el indicador Bluetooth de esta unidad continúa parpadeando durante 30 minutos, la unidad entrará automáticamente en modo de reposo (standby), y para utilizarla deberá encenderla de nuevo.

ATENCIÓN

Independientemente del estado de conexión de esta unidad y del otro dispositivo Bluetooth, si el indicador Bluetooth continúa parpadeando durante mucho tiempo, reinicie tanto esta unidad como el otro dispositivo y después vuelva a conectarlos.

3 Comience la reproducción en el otro dispositivo Bluetooth.

Confirme que el volumen está subido en el otro dispositivo Bluetooth. Si no sube el volumen en el dispositivo de reproducción, podría no escucharse sonido a través de esta unidad.

- Dependiendo del dispositivo Bluetooth conectado, puede que no sea posible ajustar el volumen. Para más información, consulte el manual de instrucciones de dicho dispositivo Bluetooth.

4 Gire el mando VOLUME para ajustar el volumen.

- También puede hacerlo con los botones VOLUME (+/-) del mando a distancia.
- Si hay unos auriculares conectados, no saldrá audio por los terminales de altavoces (SPEAKERS) ni por los terminales de salida de audio del preamplificador (PRE OUT) situados en la parte posterior de la unidad.

Instalación del controlador (driver) en un ordenador

Esta unidad puede conectarse con ordenadores que funcionen con los sistemas operativos enumerados a continuación. El funcionamiento con otros sistemas operativos no está garantizado (a octubre de 2016).

Si utiliza Mac

El controlador funciona con las siguientes versiones:

OS X Lion (10.7)
OS X Mountain Lion (10.8)
OS X Mavericks (10.9)
OS X Yosemite (10.10)
OS X El Capitan (10.11)
macOS Sierra (10.12)

Esta unidad puede utilizarse con el controlador estándar del sistema operativo. Por este motivo, no es necesario instalar un controlador especial ni nada más.

Si utiliza Windows

El controlador funciona con las siguientes versiones:

Windows 7 (32/64 bits)
Windows 8 (32/64 bits)
Windows 8.1 (32/64 bits)
Windows 10 (32/64 bits)

Instalación del controlador en un ordenador

Para reproducir archivos de audio almacenados en un ordenador a través de esta unidad, primero es necesario instalar un controlador específico. Descargue dicho controlador específico desde el sitio web global de TEAC.

Sitio web global de TEAC
<http://teac-global.com/>

ATENCIÓN

Instale el controlador específico antes de conectar por USB esta unidad a un ordenador.

Si conecta esta unidad a un ordenador antes de instalar el controlador, no funcionará correctamente.

- Encontrará las instrucciones sobre el procedimiento de instalación del controlador en la página de descargas (Downloads) del sitio web global de TEAC (<http://teac-global.com/>).
- Dependiendo de la combinación de hardware y software, podría ocurrir que el funcionamiento no fuese posible incluso con los sistemas operativos anteriormente mencionados.

Acerca del modo de transmisión

Esta unidad se conecta mediante modo asíncrono de alta velocidad. Las frecuencias de muestreo que pueden transmitirse son 44,1 kHz, 48 kHz, 88,2 kHz, 96 kHz, 176,4 kHz, 192 kHz, 352,8 kHz y 384 kHz.

Una vez realizada la conexión correctamente, podrá seleccionar "TEAC USB AUDIO DEVICE" como una salida de audio del sistema operativo del ordenador.

- En modo asíncrono, los datos de audio enviados desde el ordenador se procesan utilizando el reloj de esta unidad, reduciéndose así las fluctuaciones que se producen durante la transmisión de datos.

Descarga de la aplicación de reproducción de audio TEAC HR Audio Player

Desde la web global de TEAC (<http://teac-global.com/>) puede descargar las versiones para Mac y Windows de nuestra aplicación de reproducción de audio gratuita TEAC HR Audio Player, compatible con la reproducción de archivos DSD.

Nota sobre la configuración de TEAC HR Audio Player

Para reproducir grabaciones DSD a 11,2 MHz con TEAC HR Audio Player, abra la ventana "Configure" (Configuración) y configure "Decode mode" (Modo de decodificación) como "DSD Native" (DSD nativo).

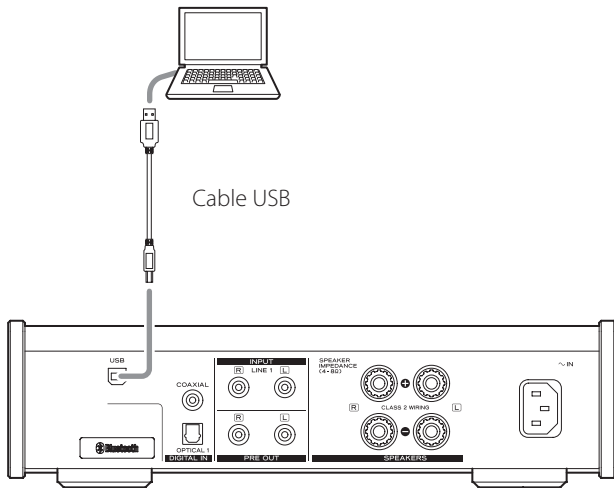
Para reproducir otros formatos que no sean DSD a 11,2 MHz, la configuración puede ser indistintamente "DSD over PCM" (DSD sobre PCM) o "DSD Native" (DSD nativo), como prefiera.

Para más información, consulte "Selecting DSD decoding mode" (Seleccionar el modo de decodificación DSD) en el manual de usuario de TEAC HR Audio Player.

Reproducción de música en un ordenador (continuación)

Reproducción de archivos de audio desde un ordenador

1 Conecte esta unidad al ordenador con un cable USB.

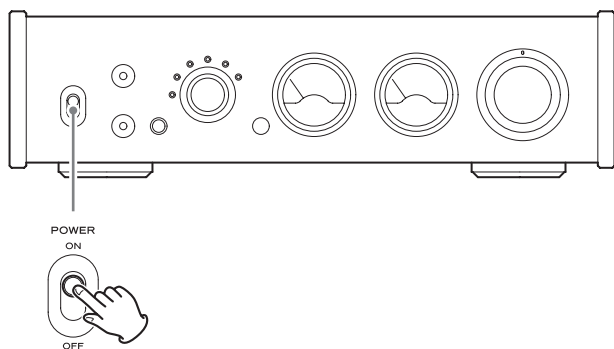


- Para esta conexión, utilice un cable USB 2.0 (tipo A-B) de los disponibles en establecimientos comerciales.

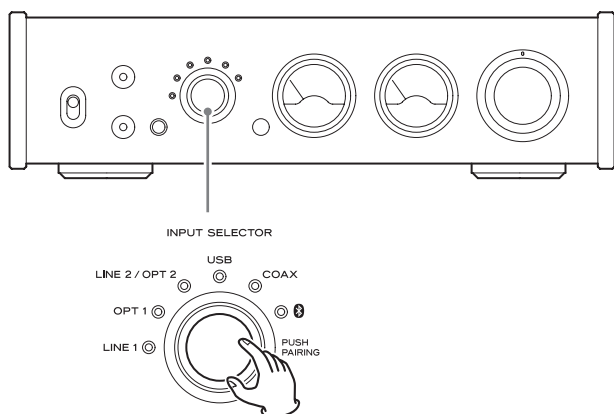
2 Encienda el ordenador.

- Confirme que el sistema operativo se ha iniciado correctamente.

3 Ponga el interruptor POWER en la posición ON para encender la unidad.



4 Gire INPUT SELECTOR para seleccionar USB.



5 Comience la reproducción de un archivo de audio en el ordenador.

Conseguirá mejor calidad de sonido si pone al máximo el volumen de salida del ordenador y ajusta la salida de volumen de esta unidad.

Ponga al mínimo el volumen de esta unidad antes de empezar la reproducción y luego súbalo gradualmente.

Cuando utilice unos auriculares conectados a esta unidad, gire el mando VOLUME hacia la izquierda para bajar el volumen al mínimo antes de ponérselos y luego súbalo gradualmente.

- El ordenador y esta unidad no pueden controlarse el uno al otro.
- No lleve a cabo ninguna de las acciones indicadas a continuación cuando reproduzca archivos de audio por USB. Si lo hace, podría causar anomalías de funcionamiento en el ordenador. Salga siempre del software de reproducción de audio antes de llevar a cabo cualquiera de las siguientes acciones:
 - Desconectar el cable USB
 - Apagar esta unidad
 - Cambiar la selección de entrada actual
- Al reproducir archivos de audio por USB, también sonarán los sonidos propios del funcionamiento del ordenador. Si no desea que se escuchen estos sonidos, realice los ajustes adecuados en el ordenador para silenciarlos.
- Si conecta esta unidad al ordenador o cambia la fuente de entrada a USB después de haber iniciado el software de reproducción de audio, puede que los archivos de audio no se reproduzcan correctamente. Si esto ocurre, reinicie el software de reproducción de audio o reinicie el ordenador.

Si experimenta algún problema con esta unidad, por favor compruebe los siguientes puntos antes de solicitar asistencia técnica. Si aún así la unidad no funciona correctamente, póngase en contacto con el establecimiento donde adquirió la unidad.

General

La unidad no se enciende.

- ➔ Compruebe que el cable de corriente está completamente enchufado en la toma de electricidad. Si la toma de electricidad tiene un interruptor de activación, confirme que está en posición de activado.
- ➔ Conecte otro aparato eléctrico en la toma de electricidad para confirmar que suministra corriente.
- ➔ Si la función de ahorro de energía automático ha hecho que la unidad entre en modo de reposo (standby), pulse el botón STANDBY/ON del mando a distancia para volver a encender la unidad.

No se escucha sonido.

- ➔ Ajuste el mando VOLUME. Gírelo hacia la derecha (en la dirección de las agujas del reloj) para subir el volumen.
- ➔ Utilice el mando INPUT SELECTOR para seleccionar la entrada que esté conectada a la fuente que desee escuchar.
- ➔ Compruebe las conexiones con el resto de los equipos.

Hay ruido o zumbido.

- ➔ Si hay un cable de conexión cerca de un cable de corriente, de un fluorescente o de otra fuente de interferencias similar, aumente la distancia entre ellos lo máximo posible.

No se escucha sonido por un lado de los auriculares.

- ➔ Compruebe que el jack de los auriculares está bien insertado hasta el fondo.

Ha dejado de salir sonido de repente.

Las luces del medidor de nivel están parpadeando y no sale sonido.

- ➔ El calor podría haber activado el circuito de protección. Ponga el interruptor POWER en OFF y espere varios minutos antes de reiniciar la unidad.
- ➔ Los cables de altavoz + y – podrían haber entrado en cortocircuito. En ese caso, apague la unidad y compruebe las conexiones de los cables de altavoces.

La función de ahorro automático ha hecho que la unidad entre en modo de reposo (standby).

- ➔ Ponga el interruptor POWER en OFF y a continuación vuelva a encender la unidad.

Conexión con un ordenador

El ordenador no reconoce esta unidad.

- ➔ Consulte la página 63 para saber qué sistemas operativos de ordenador son compatibles. No se garantiza el funcionamiento con sistemas operativos que no sean compatibles.

Se produce ruido.

- ➔ Si inicia otras aplicaciones durante la reproducción de un archivo de música, puede que se interrumpa la reproducción o se origine ruido. No inicie otras aplicaciones durante la reproducción.
Si se conecta la unidad a un ordenador mediante un "hub" (concentrador) USB, por ejemplo, podría escucharse ruido. Si esto ocurre, conecte la unidad directamente al ordenador.

No se pueden reproducir archivos de audio.

- ➔ Conecte esta unidad al ordenador y seleccione USB como entrada de esta unidad antes de iniciar el software de reproducción de audio.
Si conecta esta unidad al ordenador o selecciona la entrada USB después de haber iniciado el software de reproducción de audio, puede que los archivos de audio no se reproduzcan correctamente.

Esta unidad utiliza un microprocesador, por lo que ruidos u otras interferencias externas podrían hacer que dejase de funcionar correctamente. En tal caso, desconecte el cable de corriente, espere aproximadamente un minuto y después vuelva a encender la unidad otra vez y reinicie las operaciones.

Especificaciones

Salidas de altavoz

Potencia máxima	60 W + 60 W (distorsión 10 %, 1 kHz, 4 Ω) 30 W + 30 W (distorsión 10 %, 1 kHz, 8 Ω)
Potencia nominal	43 W + 43 W (distorsión 1 %, 1 kHz, 4 Ω) 22 W + 22 W (distorsión 1 %, 1 kHz, 8 Ω)
Impedancia de altavoces admisible	4–8 Ω
Distorsión armónica total	0,005 % o menos (1 kHz, 8 Ω, 1 W)
Relación señal/ruido	100 dB o más (entrada analógica, carga de 8 Ω, potencia nominal, ponderada A)
Respuesta de frecuencias	10 Hz – 100 kHz (+1/–3 dB) (8 Ω, 1 W, entrada analógica)

Salidas de audio del preamplificador (PRE OUT)

Terminales RCA	1 par (izda./dcha.)
Impedancia de salida	150 Ω
Respuesta de frecuencias	10 Hz – 100 kHz (+1/–3 dB) (entrada analógica, con salida a 200 mVrms)
Relación señal/ruido	103 dB o más (entrada analógica, con salida a 1 kHz/2 Vrms, ponderada A)
Distorsión armónica total	0,005% o menos (entrada analógica, con salida a 1 kHz/2 Vrms, 20 kHz LPF)

Salida de auriculares

Minijack estéreo de 3,5 mm, 4 polos	1
Potencia máxima práctica	280 mW + 280 mW (GAIN ajustado en HIGH, carga de 32 Ω, distorsión 10 %)
Rango de impedancias compatible	16–600 Ω

Entradas de audio analógico

Terminales RCA	1 par (izda./dcha.)
Impedancia de entrada	30 kΩ
Entrada máxima	2 Vrms
Minijack estéreo de 3,5 mm*	1
Impedancia de entrada	22 kΩ
Entrada máxima	2 Vrms

Entradas de audio digital

Digital COAXIAL	
Terminal RCA	1
Digital OPTICAL	
Terminal cuadrado (TOSLINK)	1
Terminal redondo*	1 (de –24 a –14,5 dBm en picos)
Puerto USB-B	1 (USB 2.0 estándar)
Frecuencia de muestreo de datos PCM	
Digital COAXIAL	32 kHz, 44,1 kHz, 48 kHz, 88,2 kHz, 96 kHz, 176,4 kHz, 192 kHz
Digital OPTICAL	32 kHz, 44,1 kHz, 48 kHz, 88,2 kHz, 96 kHz, 176,4 kHz, 192 kHz
USB	44,1 kHz, 48 kHz, 88,2 kHz, 96 kHz, 176,4 kHz, 192 kHz 352,8 kHz, 384 kHz
Profundidad de cuantización de bits	
Digital COAXIAL/digital OPTICAL	16/24 bits
USB	16/24/32 bits
Frecuencia de muestreo de datos DSD	
Digital COAXIAL/digital OPTICAL	2,8 MHz (compatible utilizando transmisión DoP a 176,4 kHz/24 bits)
USB	2,8 MHz, 5,6 MHz, 11,2 MHz

* Es un terminal de entrada combinado analógico (LINE 2) y óptico (OPT 2).

Función Bluetooth

Versión Bluetooth.....	4.0
Clase de potencia.....	Clase 2
(distancia de transmisión sin obstáculos*	10 m)
Perfiles compatibles	A2DP, AVRCP
Codecs A2DP compatibles.....	SBC, AAC, Qualcomm® aptX™, LDAC
Protección de contenido A2DP compatible	SCMS-T
Número máximo de emparejamientos almacenados.....	8

* La distancia de transmisión es aproximada. La distancia de transmisión puede variar dependiendo del entorno y las ondas electromagnéticas.

General

Alimentación

Modelo para Europa.....	CA 220–240 V, 50/60 Hz
Modelo para EE. UU./Canadá	CA 120 V, 60 Hz
Consumo de corriente.....	38 W
Alimentación en reposo	0,5 W o menos (en modo "standby")
Dimensiones externas	290 mm × 81,2 mm × 264 mm (ancho × alto × profundo salientes incluidos)
Peso.....	3,7 kg
Temperatura de funcionamiento.....	de +5 °C a +35 °C
Margen de humedad de funcionamiento	de 5 % a 85 % (sin condensación)
Margen de temperatura de almacenamiento	de –20 °C a +55 °C

Artículos incluidos

Cable de corriente × 1
Mando a distancia (RC-1328) × 1
Pilas para el mando a distancia (AAA) × 2
Manual del usuario (este documento, incluida la garantía) × 1

- El diseño y las especificaciones están sujetos a cambios sin previo aviso.
- El peso y las dimensiones son aproximados.
- Las ilustraciones de este manual pueden diferir ligeramente de los modelos de producción.

WARRANTY/GARANTIE/GARANTÍA

Warranty provisions (United States and Canada only)

Length of Warranty

The parts and labor warranty will be effective for one (1) year from the date of the original purchase for products not used for commercial purposes. For products used commercially, the warranty is ninety (90) days for magnetic heads and optical pickups, one (1) year for all other parts and ninety (90) days for labor.

Who Is Covered Under This Warranty

This warranty is valid only in the United States or Canada, dependent upon the country in which original purchase was made, and enforceable only by the original purchaser within the country in which the purchase was made.

This warranty is not valid if the product was purchased through an unauthorized dealer.

What Is Not Covered Under This Warranty

- Damage to or deterioration of the external cabinet.
- Damage resulting from accident, misuse, abuse, or neglect.
- Damage resulting from failure to follow instructions contained in the products owners' manual or otherwise provided with the product.
- Damage occurring during shipment of the product (Claims must be presented to the carrier).
- Damage resulting from the repair or attempted repair by anyone other than TEAC or an authorized TEAC service station.
- Damage resulting from modification or attempted modification of product not authorized by TEAC.
- Damage resulting from causes other than product defects, including lack of technical skills, competence, or experience of the user.
- Damage to any unit that has been altered or which the serial number has been defaced, modified or removed.

What TEAC Will Pay For

TEAC will pay all labor and material expenses for items covered by the warranty. Payment of shipping charges is covered in the next section.

How To Obtain Warranty Service

Your unit must be serviced by an authorized TEAC service station within the country in which the product was purchased. If you are unable to locate an authorized service station in your area, please contact TEAC at the applicable address shown at the end of this warranty statement. PLEASE DO NOT RETURN YOUR UNIT TO TEAC WITHOUT OUR PRIOR AUTHORIZATION. You must pay shipping charges if it is necessary to ship the product for service. However, if the necessary repairs are covered by warranty, we will pay the return shipping charges to any destination within the country in which the product was purchased. Whenever warranty service is required, you must present the original dated sales receipt, or other proof indicating the purchase place and date, as proof of warranty coverage.

LIMITATION OF IMPLIED WARRANTIES

ALL IMPLIED WARRANTIES, INCLUDING WARRANTIES OF MERCHANTABILITY AND FITNESS FOR A PARTICULAR PURPOSE, ARE LIMITED IN DURATION TO THE LENGTH OF THIS WARRANTY.

EXCLUSION OF DAMAGES

TEAC'S LIABILITY FOR ANY DEFECTIVE PRODUCT IS LIMITED TO REPAIR OR REPLACEMENT OF THE PRODUCT, AT TEAC'S OPTION. TEAC SHALL NOT BE LIABLE FOR DAMAGE BASED UPON INCONVENIENCE, LOSS OF USE OF THE PRODUCT, INTERRUPTED OPERATION, COMMERCIAL LOSS OR LOST PROFITS, OR ANY OTHER DAMAGES, WHETHER INCIDENTAL, CONSEQUENTIAL, PUNITIVE OR OTHERWISE.

SOME STATES OR PROVINCES DO NOT ALLOW LIMITATIONS ON HOW LONG AN IMPLIED WARRANTY LASTS AND/OR DO NOT ALLOW THE EXCLUSION OR LIMITATION OF INCIDENTAL OR CONSEQUENTIAL DAMAGES, SO THE ABOVE LIMITATIONS AND EXCLUSIONS MAY NOT APPLY TO YOU.

THIS WARRANTY GIVES YOU SPECIFIC RIGHTS, AND MAY VARY FROM SOME OF THE RIGHTS PROVIDED BY LAW. THESE RIGHTS MAY VARY FROM STATE TO STATE OR PROVINCE TO PROVINCE.

Conditions de garantie (États-Unis et Canada uniquement)

Durée de la garantie

La garantie pièces et main d'oeuvre sera valable un (1) an à compter de la date d'achat initial des produits non utilisés dans un but commercial. Pour les produits à utilisation commerciale, la garantie des têtes magnétiques et capteurs optiques est de quatre-vingt dix (90) jours, elle est d'un (1) an pour les autres pièces et quatre-vingt dix (90) jours pour la main d'oeuvre.

Bénéficiaire de la garantie

Cette garantie n'est valable qu'aux États-Unis et au Canada, selon le pays d'achat initial, et ne s'applique qu'à l'acquéreur initial dans le pays d'achat.

Cette garantie n'est pas valable si le produit a été acheté auprès d'un revendeur non autorisé.

Ce qui n'est pas couvert par cette garantie

- Les dommages ou détériorations du boîtier externe.
- Les dommages résultant d'un accident, d'une mauvaise utilisation, d'un abus ou d'une négligence.
- Les dommages résultant du non-respect des instructions contenues dans le mode d'emploi du produit ou fournies avec le produit.
- Les dommages survenus durant le transport du produit (les réclamations doivent être adressées au transporteur).
- Les dommages résultant d'une réparation ou tentative de réparation effectuée par toute personne extérieure au service après-vente TEAC ou agréé par TEAC.
- Les dommages résultant d'une modification ou tentative de modification de produit non autorisée par TEAC.
- Les dommages résultant de causes autres que des défauts de produit, y compris le manque d'aptitude technique, de compétence ou d'expérience de l'utilisateur.
- Les dommages de toute unité ayant été modifiée ou dont le numéro de série a été effacé, modifié ou retiré.

Frais pris en charge par TEAC

TEAC prendra en charge tous les frais de pièces et main d'oeuvre pour les articles couverts par la garantie. Les frais d'expédition sont évoqués dans la section suivante.

Comment obtenir une intervention sous garantie

Votre unité doit être réparée par un service après-vente agréé par TEAC dans le pays d'achat du produit. Si vous ne trouvez pas de service après-vente agréé dans votre région, veuillez contacter TEAC à l'adresse appropriée donnée à la fin de cette garantie. VEUILLEZ NE PAS RENVOYER VOTRE UNITÉ CHEZ TEAC SANS NOTRE AUTORISATION PRÉALABLE. Si le produit doit être renvoyé pour réparation, les frais d'expédition sont à votre charge. Toutefois, si les réparations nécessaires sont couvertes par la garantie, nous prendrons à notre charge les frais de retour vers toute destination dans le pays d'achat du produit. Lorsqu'une réparation sous garantie est requise, vous devez présenter comme preuve de couverture par la garantie la facture d'achat originale datée ou une autre preuve d'achat mentionnant le lieu et la date d'achat.

LIMITATION DES GARANTIES IMPLICITES

TOUTES LES GARANTIES IMPLICITES, Y COMPRIS LES GARANTIES DE QUALITÉ MARCHANDE ET D'ADÉQUATION À UN USAGE PARTICULIER, SONT LIMITÉES À LA DURÉE DE CETTE GARANTIE.

EXCLUSION DE DOMMAGES

LA RESPONSABILITÉ DE TEAC VIS-À-VIS DE TOUT PRODUIT DÉFECTUEUX EST LIMITÉE À LA RÉPARATION OU AU REMPLACEMENT DU PRODUIT, AU GRÉ DE TEAC. TEAC NE POURRA ÊTRE TENU POUR RESPONSABLE DE QUELCONQUES DOMMAGES SE RAPPORTANT AU DÉRANGEMENT, À LA PERTE D'USAGE DU PRODUIT, À L'INTERRUPTION DE L'UTILISATION, AUX PERTES COMMERCIALES OU DE PROFITS, NI D'AUCUN AUTRE DOMMAGE, QU'IL SOIT ACCESSOIRE, INDIRECT, PUNITIF OU AUTRE.

CERTAINS ÉTATS OU PROVINCES N'AUTORISENT PAS DE LIMITATIONS DE DURÉE D'UNE GARANTIE IMPLICITE ET/OU N'AUTORISENT PAS L'EXCLUSION OU LA LIMITATION DES DOMMAGES ACCESSOIRES OU INDIRECTS, AUQUEL CAS LES LIMITATIONS ET EXCLUSIONS CI-DESSUS PEUVENT NE PAS VOUS ÊTRE APPLICABLES.

CETTE GARANTIE VOUS DONNE DES DROITS SPÉCIFIQUES QUI PEUVENT ÊTRE DIFFÉRENTS DE CERTAINS DROITS OCTROYÉS PAR LA LOI. CES DROITS PEUVENT VARIER D'UN ÉTAT À L'AUTRE OU D'UNE PROVINCE À L'AUTRE.

WARRANTY/GARANTIE/GARANTÍA

Europe/Europa

This product is subject to the legal warranty regulations of the country of purchase. In case of a defect or a problem, please contact the dealer where you bought the product.

Ce produit est sujet aux réglementations concernant la garantie légale dans le pays d'achat. En cas de défaut ou de problème, veuillez contacter le revendeur chez qui vous avez acheté le produit.

Las condiciones de garantía de este aparato están sujetas a las disposiciones legales sobre garantía del país en el que ha sido adquirido. En caso de garantía, debe dirigirse al establecimiento donde adquirió el aparato.

In countries/regions other than the USA, Canada and Europe

This warranty gives you specific legal rights, and you may also have other rights that vary by country, state or province.

If you have a warranty claim or request, please contact the dealer where you bought the product.

该保证书赋予了顾客特定的合法权利，并且因国家，州或省等地域的不同，顾客可能拥有其他权利。如需申请或要求保修，请与购买本产品的销售店进行联系。

WARRANTY/GARANTIE (United States and Canada only/États-Unis et Canada uniquement)

Model/Modèle: **AI-503**

Serial No./N° de série

Owner's address/Adresse du propriétaire

Date of purchase/Date de l'achat

Dealer's name/Nom du détaillant

Owner's name/Nom du propriétaire

Dealer's address/Adresse du détaillant

Sample

TEAC

TEAC CORPORATION 1-47 Ochiai, Tama-shi, Tokyo 206-8530 Japan Phone: +81-42-356-9156

TEAC AMERICA, INC. 1834 Gage Road, Montebello, California 90640 U.S.A. Phone: +1-323-726-0303

TEAC AUDIO EUROPE Gutenbergstr. 3, 82178 Puchheim, Germany Phone: +49-8142-4208-141

This device has a serial number located on its rear panel. Please record the serial number and retain it for your records.

Model name: AI-503

Serial number: